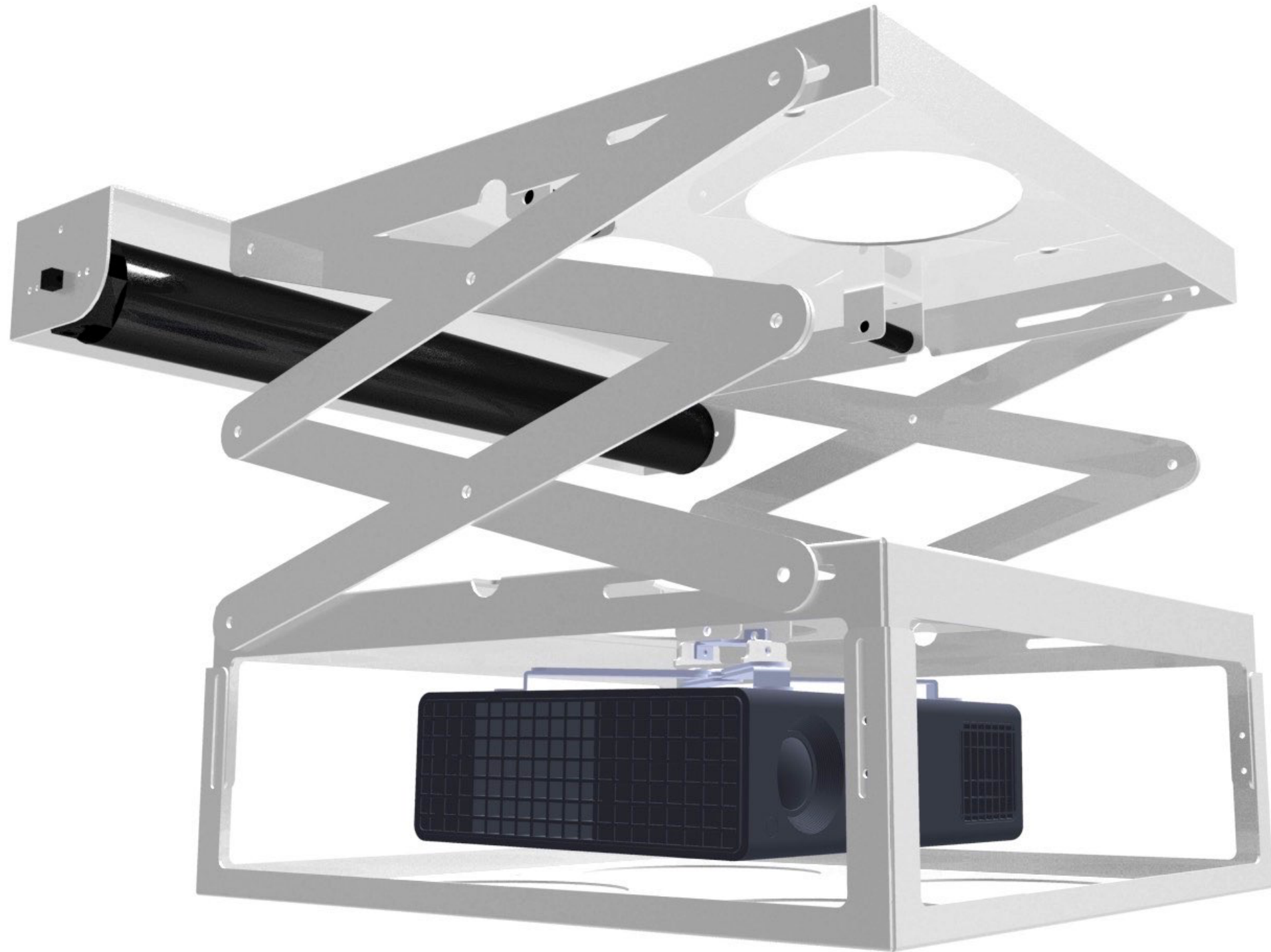




## INSTALLATION INSTRUCTIONS



Thank you for buying [iConnect](#) products.  
The PRL is the latest technology in projector lifts.  
Please read this manual carefully before assembling.

# PROJECTOR LIFT

PRL-60-240

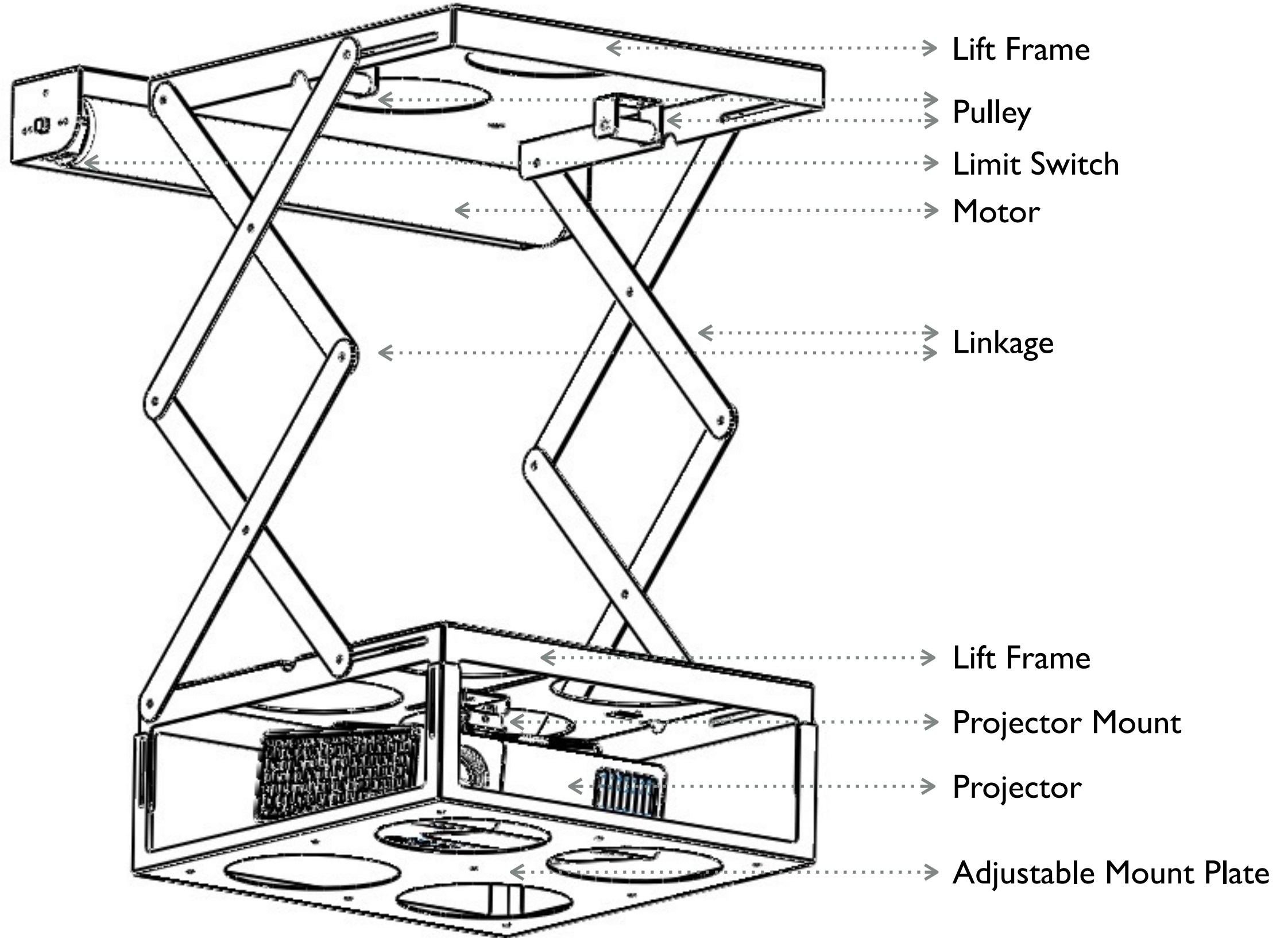
|                            |                |
|----------------------------|----------------|
| MAIN                       | 1.             |
| CONTENTS                   | 2.             |
| SAFETY                     | 3.             |
| OVERVIEW                   | 4.             |
| LIFT PREPARATION           | 5-6.           |
| LIFT INSTALLATION          | 7-10.          |
| FINISHING THE CEILING LIFT | 11-12 / 16-17. |
| ADJUSTMENTS                | 13-15.         |
| FINISH                     | 18.            |
| DIMENSION                  | 19.            |
| TECHNICAL SPECIFICATION    | 20.            |

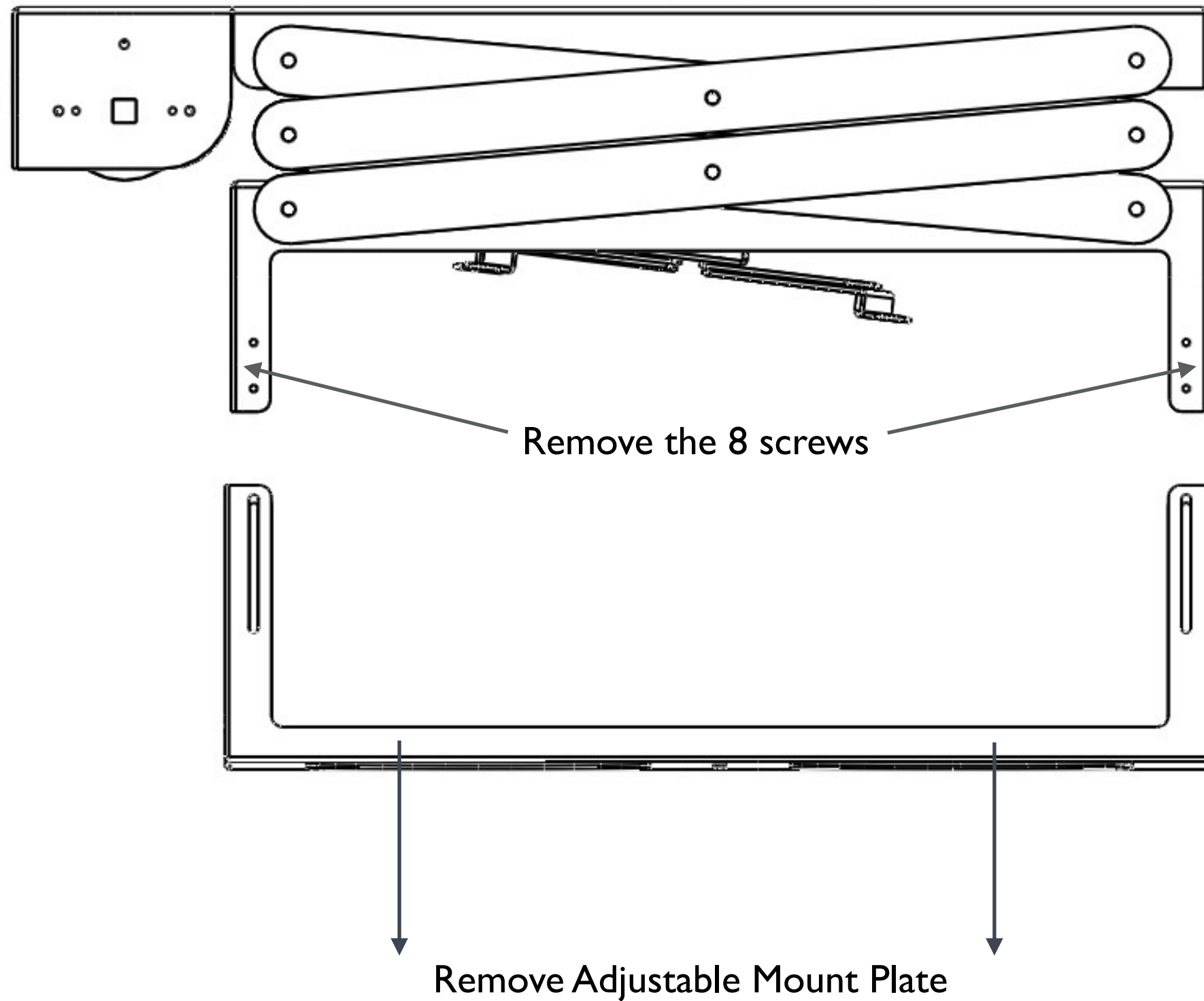
Projector lift PRL-60-240 must be installed by specialized personnel only.

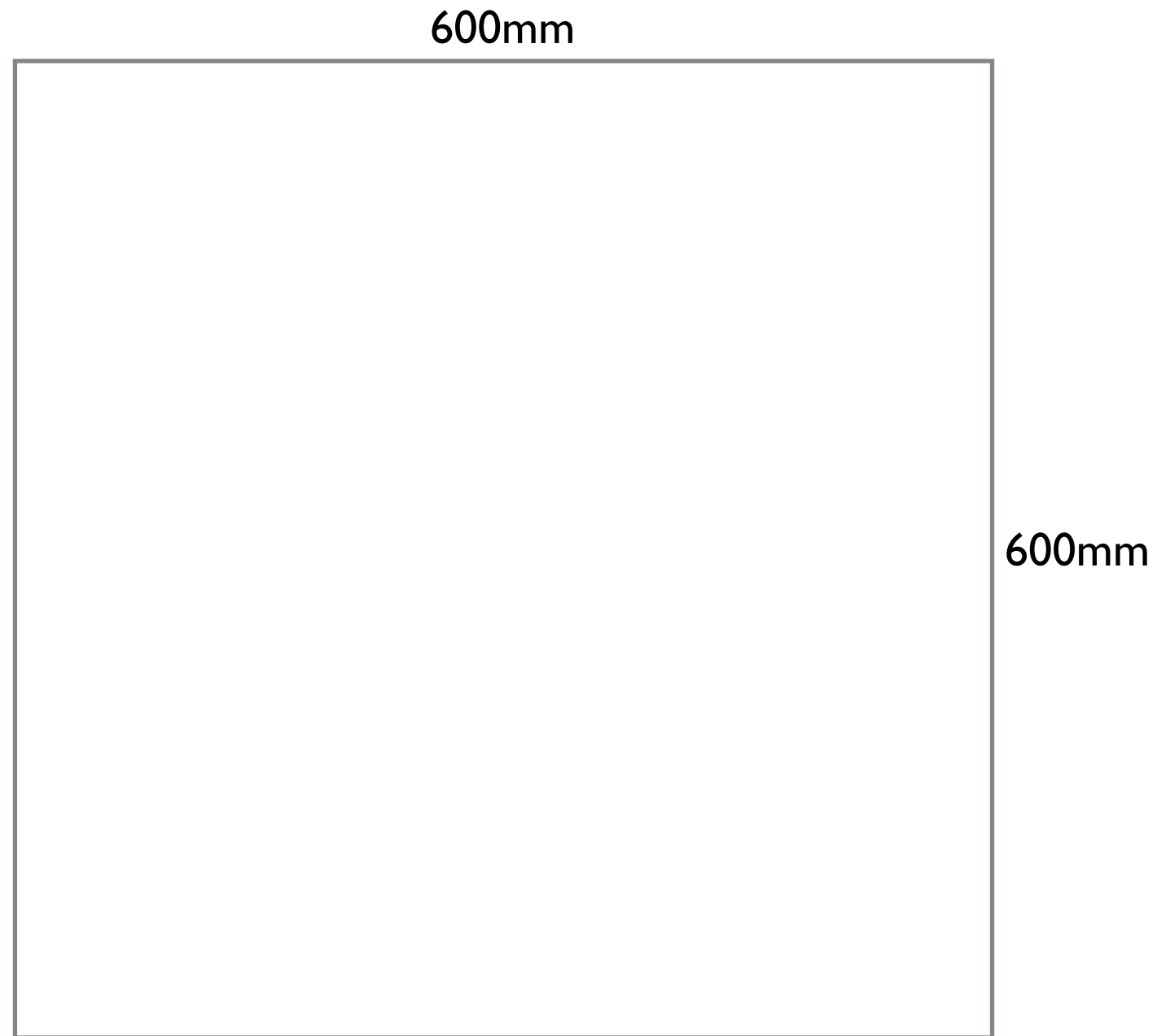
Before installing the projector lift, please read the following instructions carefully

1. The projector lift must be used indoors only.
2. It is forbidden to stay under the lift.
3. never connect more than one lift motor to the same switch.
4. In case of maintenance, unplug the power supply.
5. Incorrect use, including exceeding the maximum lifting weight, would be dangerous and invalidate the warranty.
6. The manufacture do not take responsibility for any damage to property or personal injury, if the lift is used out side of recommended specifications.
7. Incorrect servicing could lead to risk of electric shock.
8. For any repairing, please contact directly the dealer you purchased the unit from.
9. Check at least once a year that the screws of the steel cables are well tightened

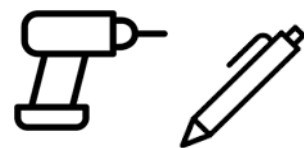
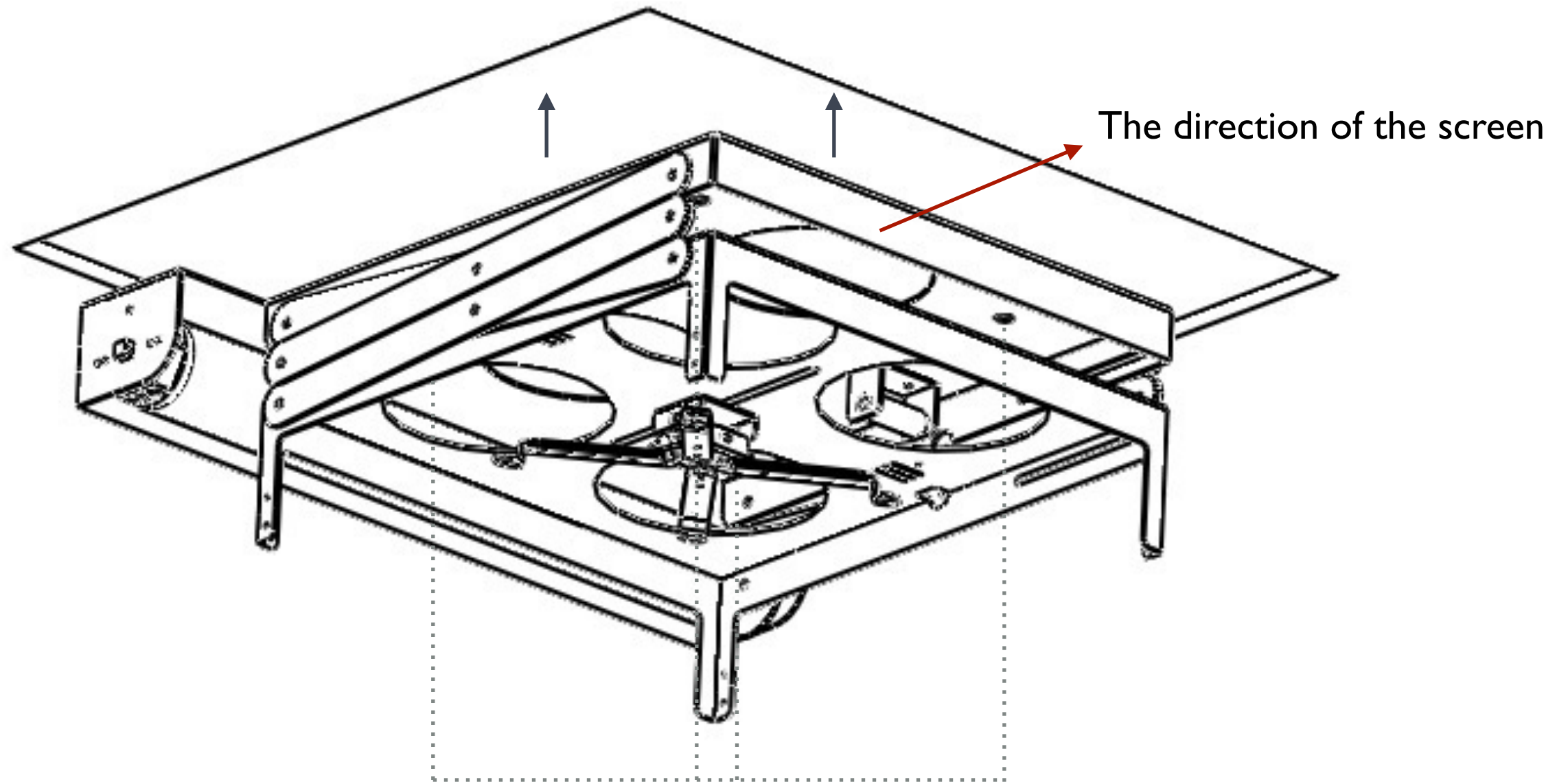






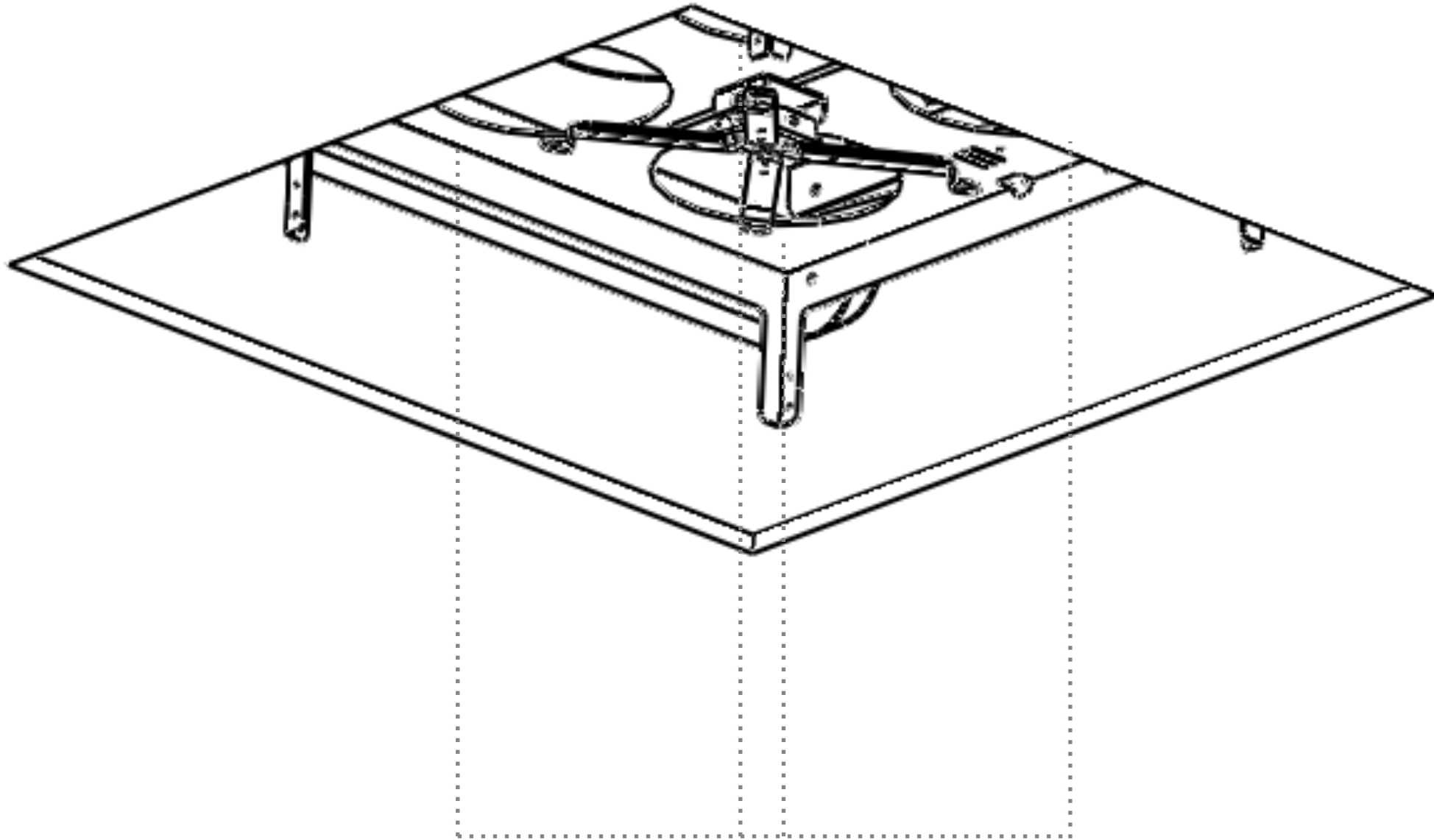


Open a hole in the ceiling



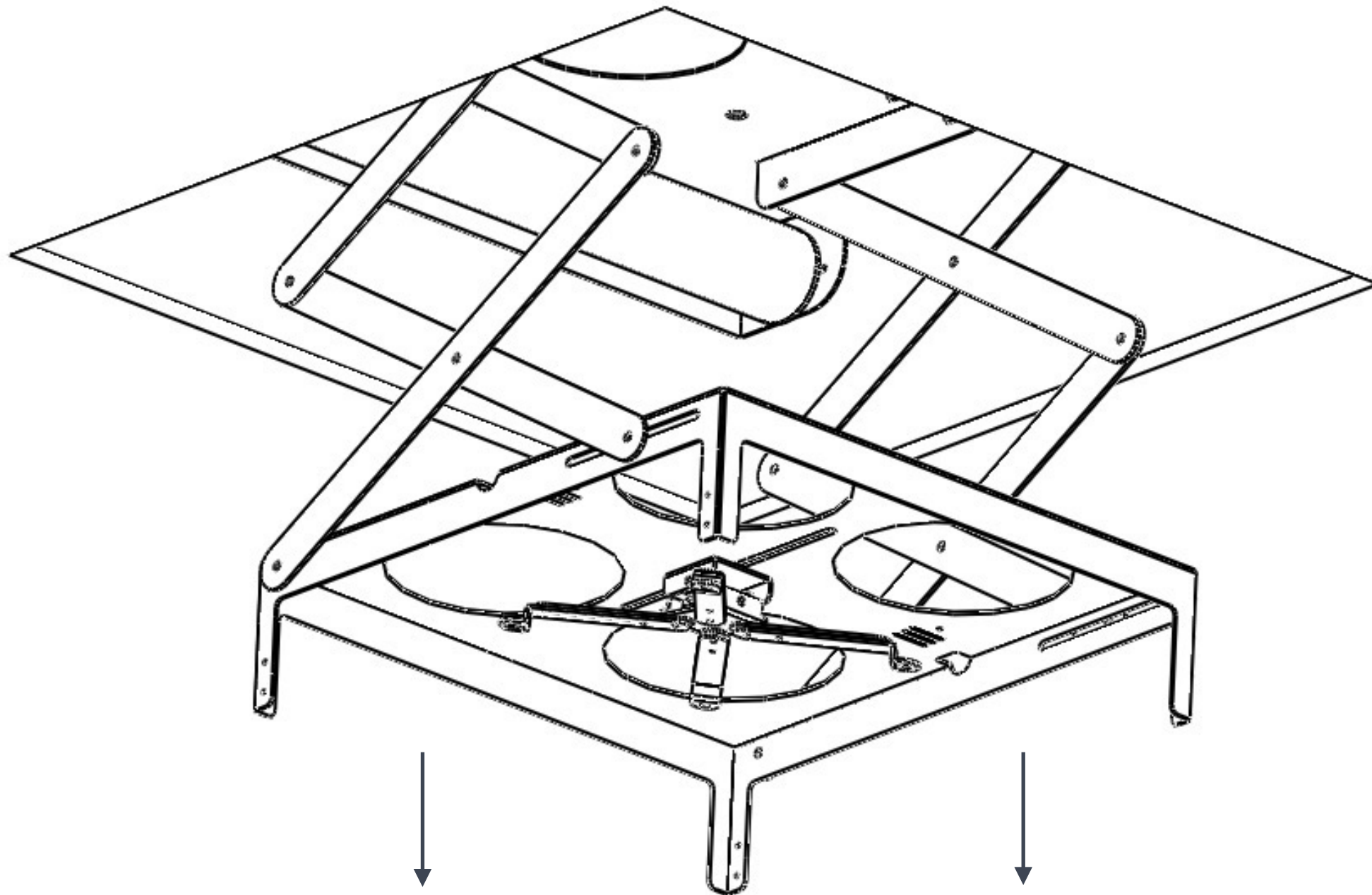
Mark and drill 4 holes in the ceiling with a diameter of 10 mm





Tighten bolts through the holes designated lift and strong  
Make sure you locked well

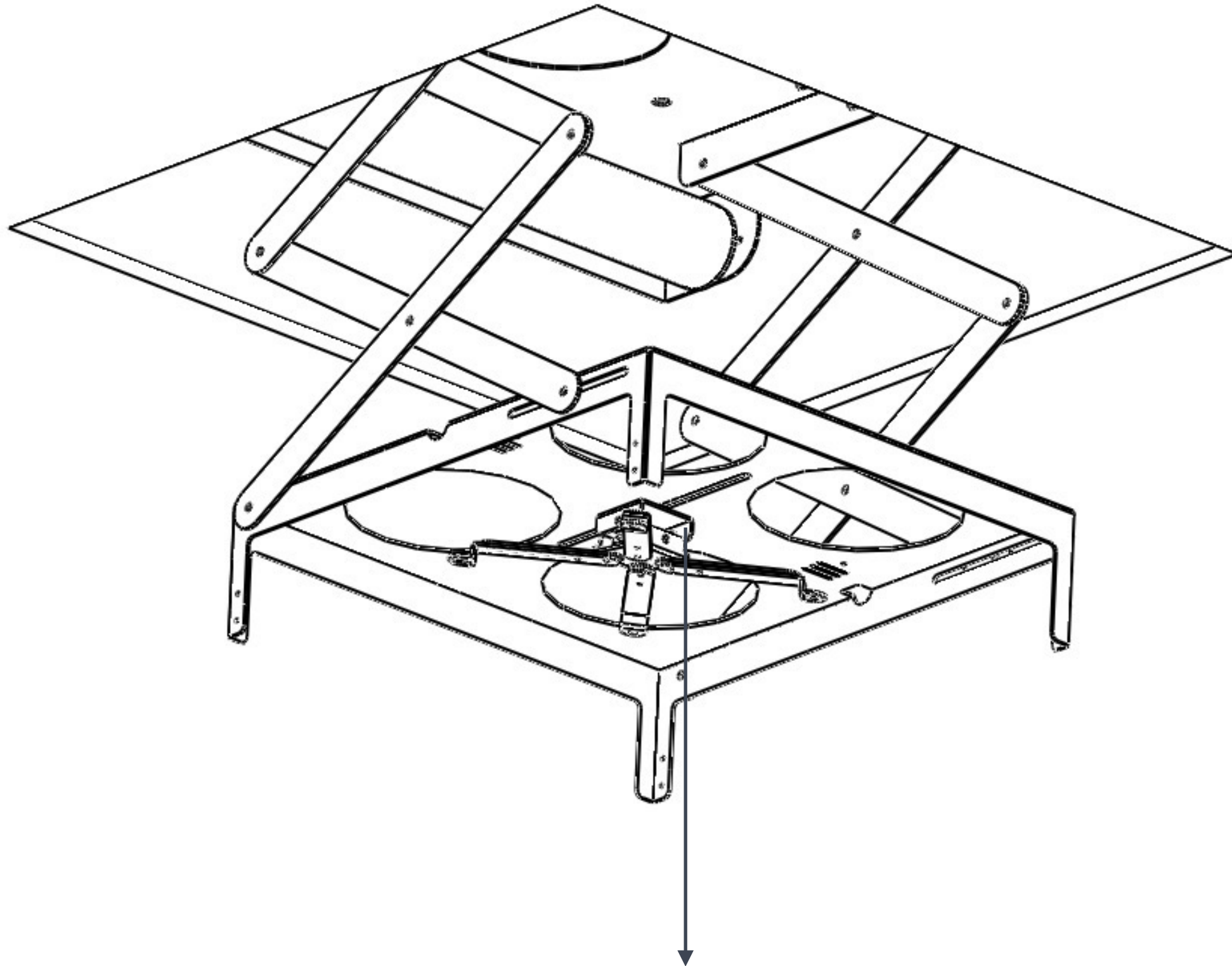




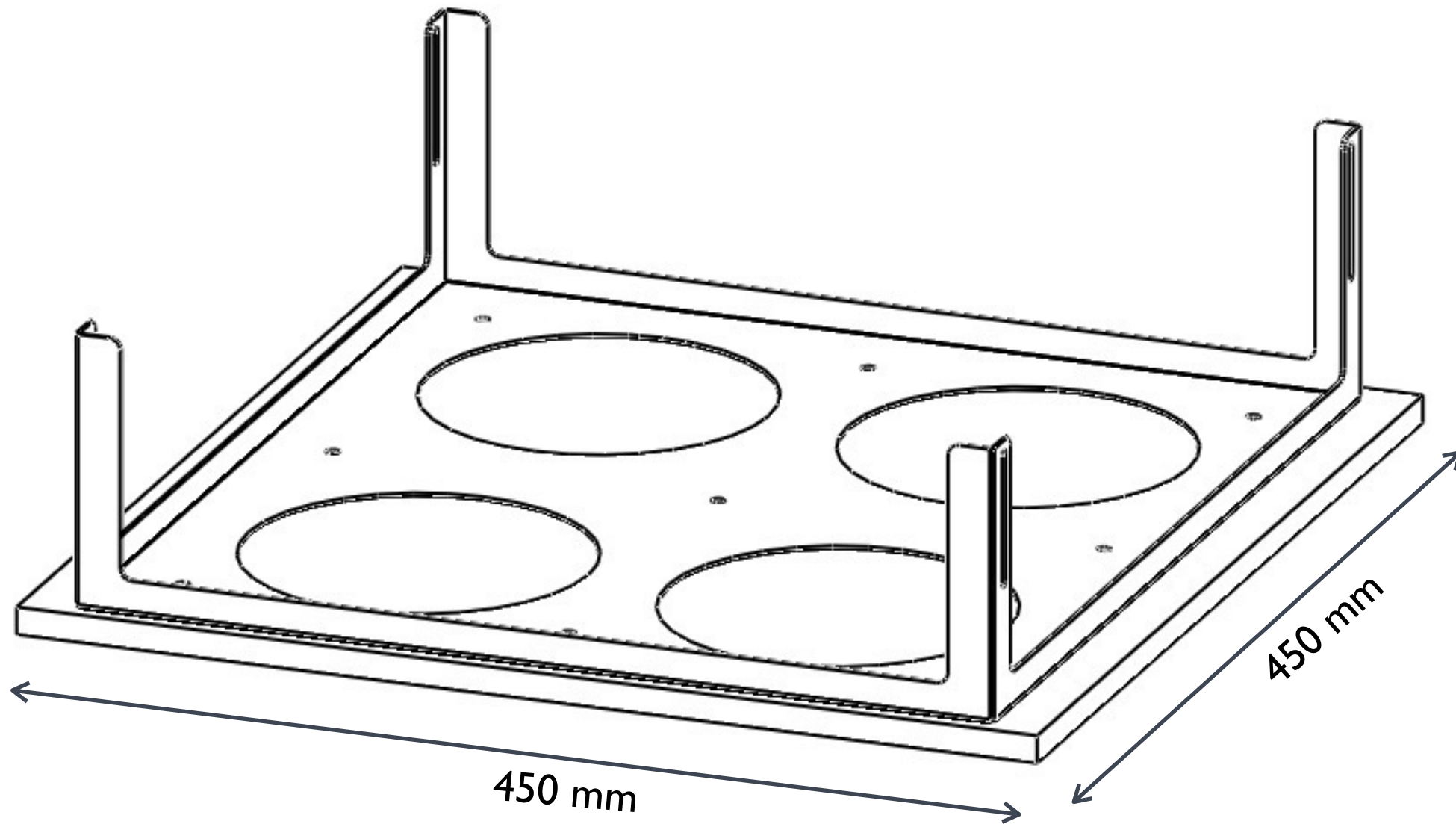
Use a power cable that came with the package. plug the male and female side motor

Connect the other end of the cable to a power source | 110V

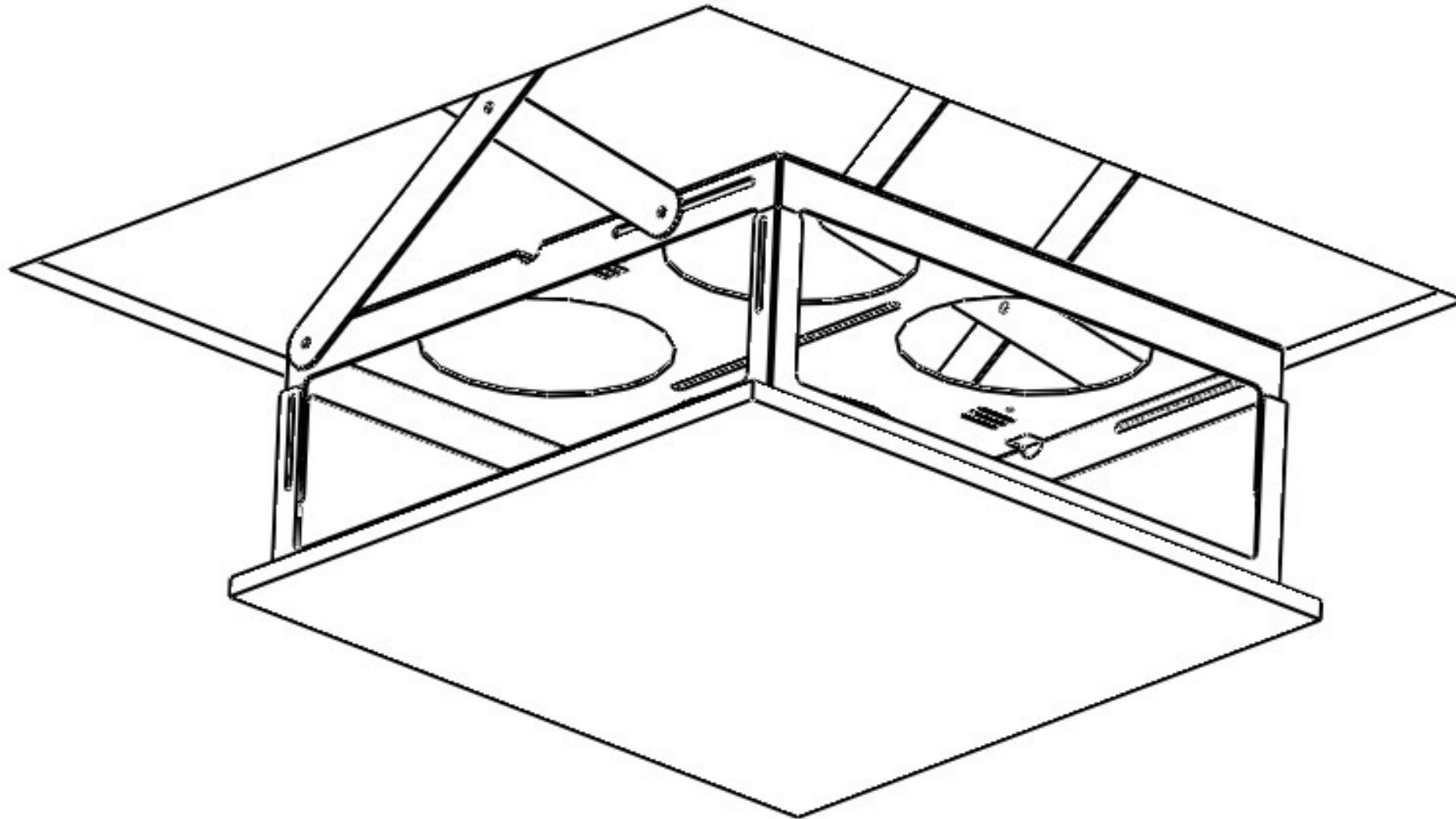
Press the switch and lower the lift down



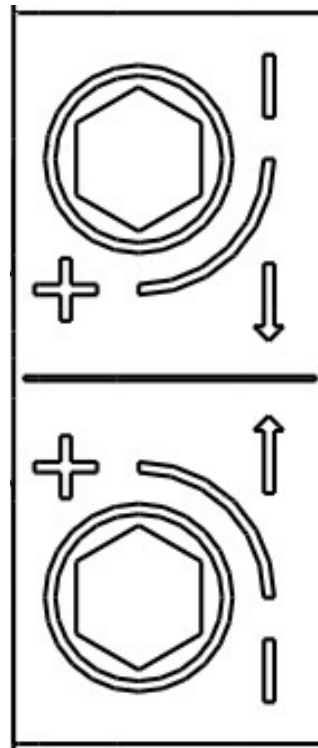
Unplug the projector arm by opening the screw at the top



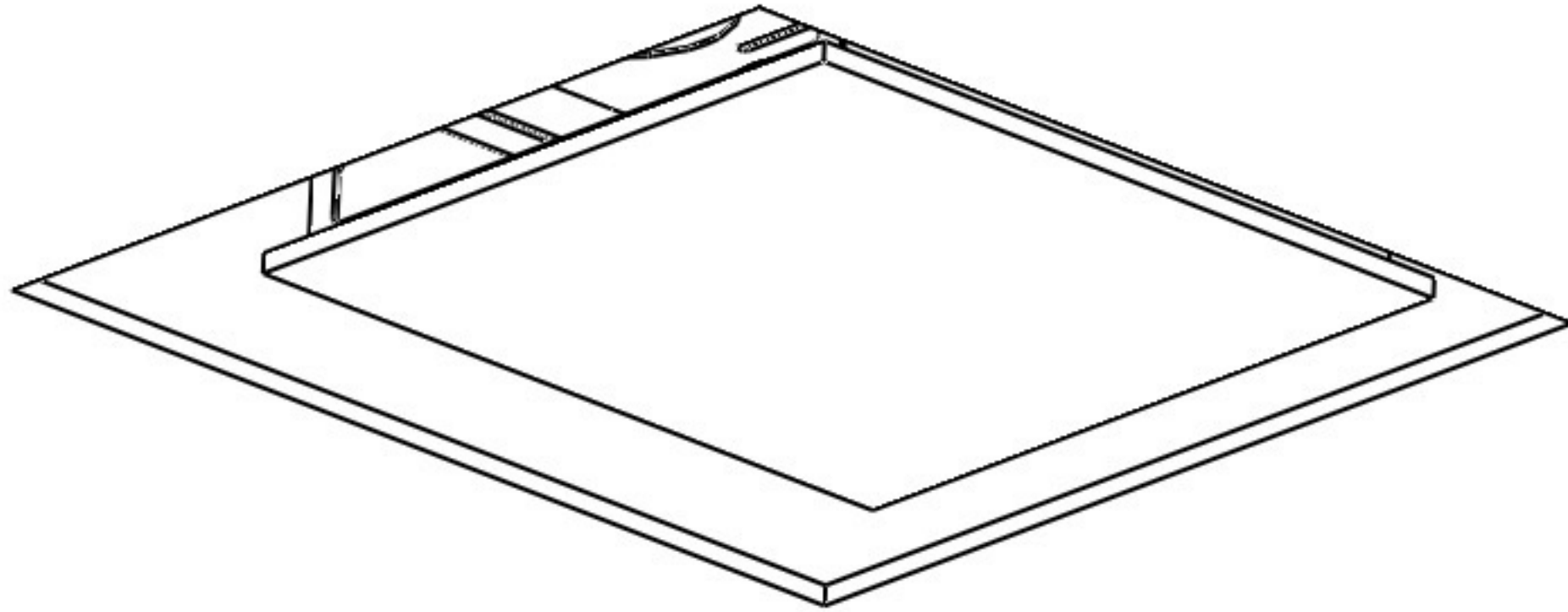
Create a wooden surface thickness of 12 mm and set it with 9 screws



Reconnect Adjustable Mount Plate

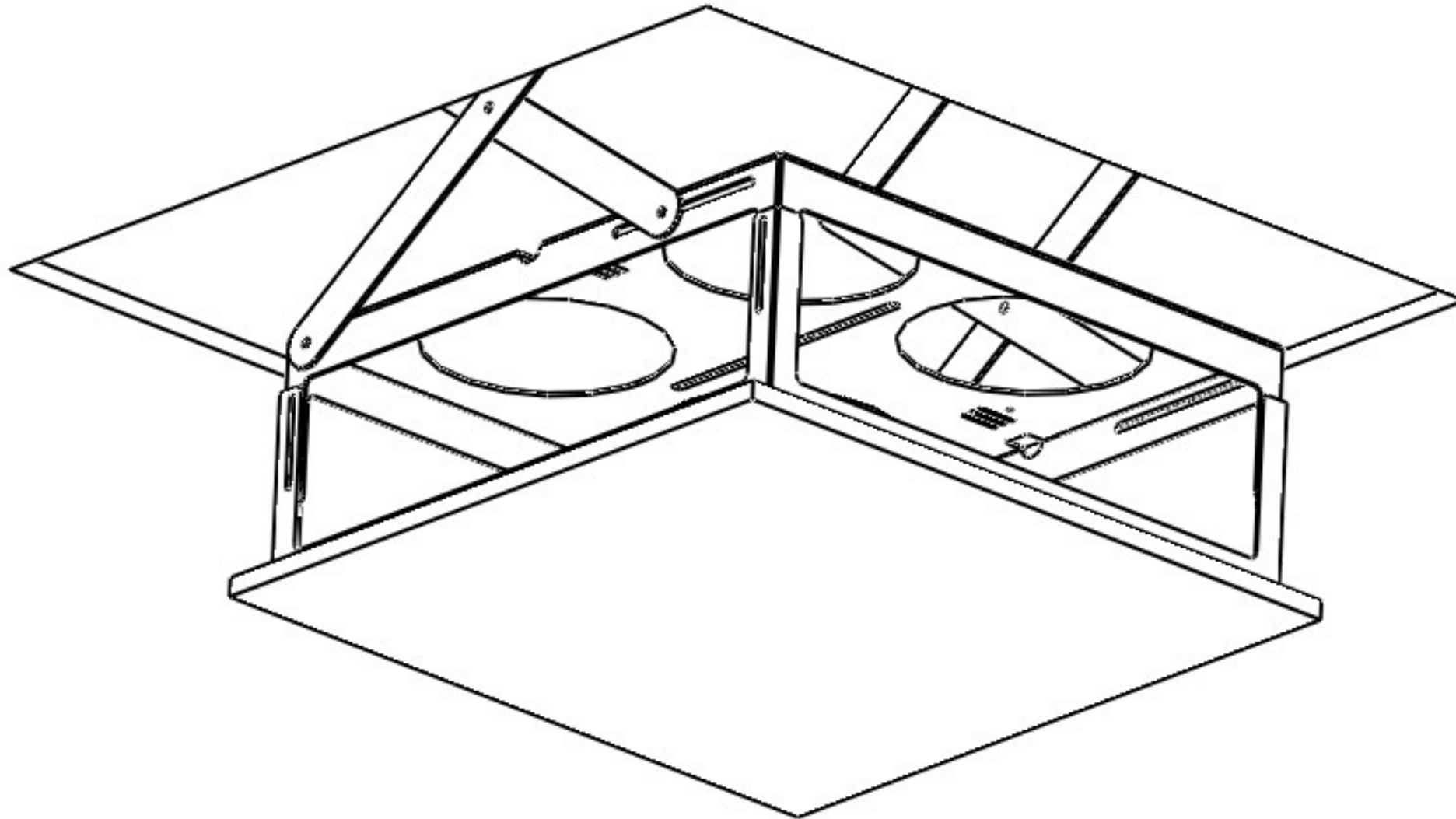


Stop and drop tuning of the lift is preformed by allen plastic screwdriver supplied only  
The motor two allen screws, one controls the rotation decrease and second rounds of closing



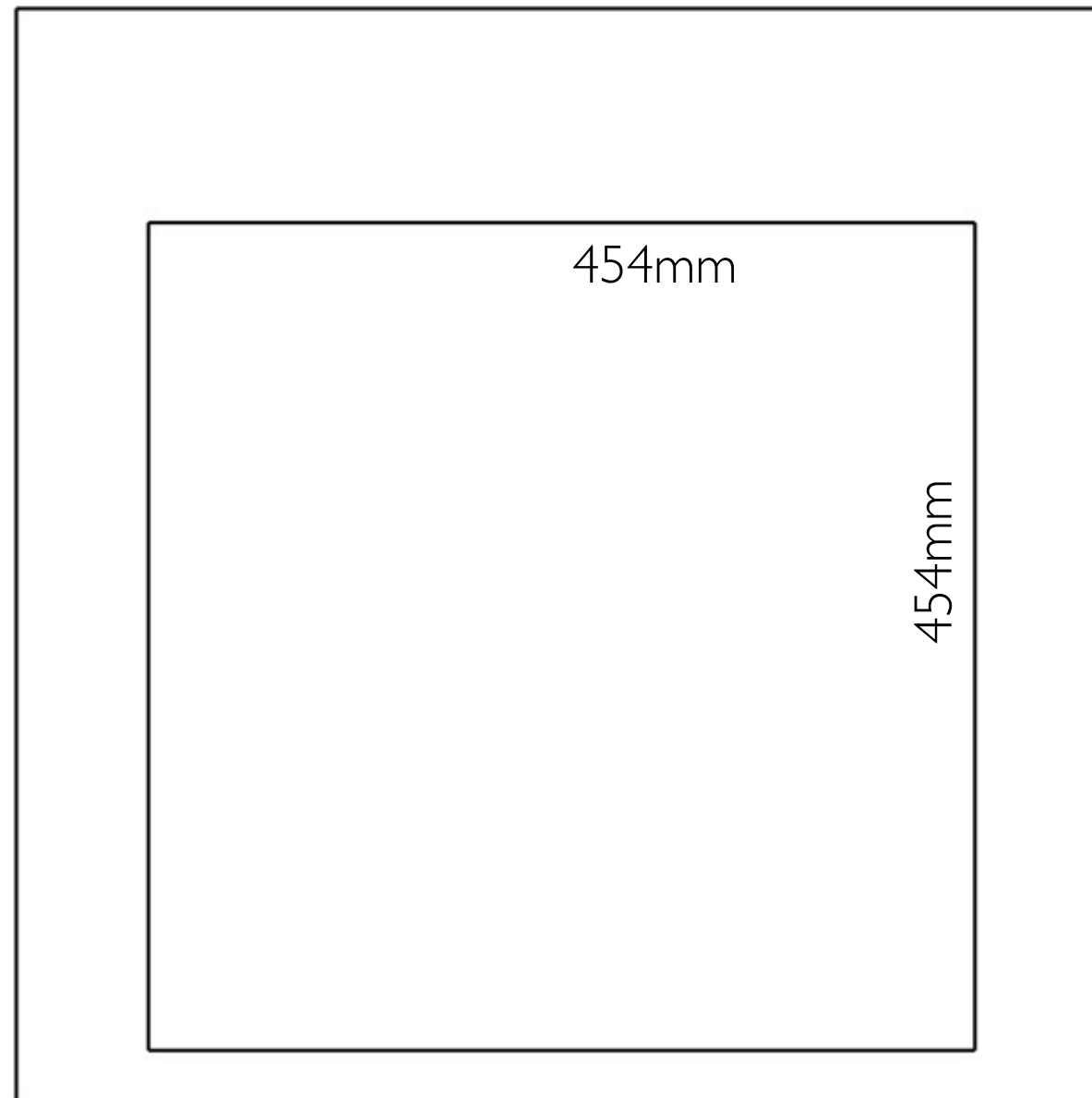
Adjust the height of the closure with a ceiling



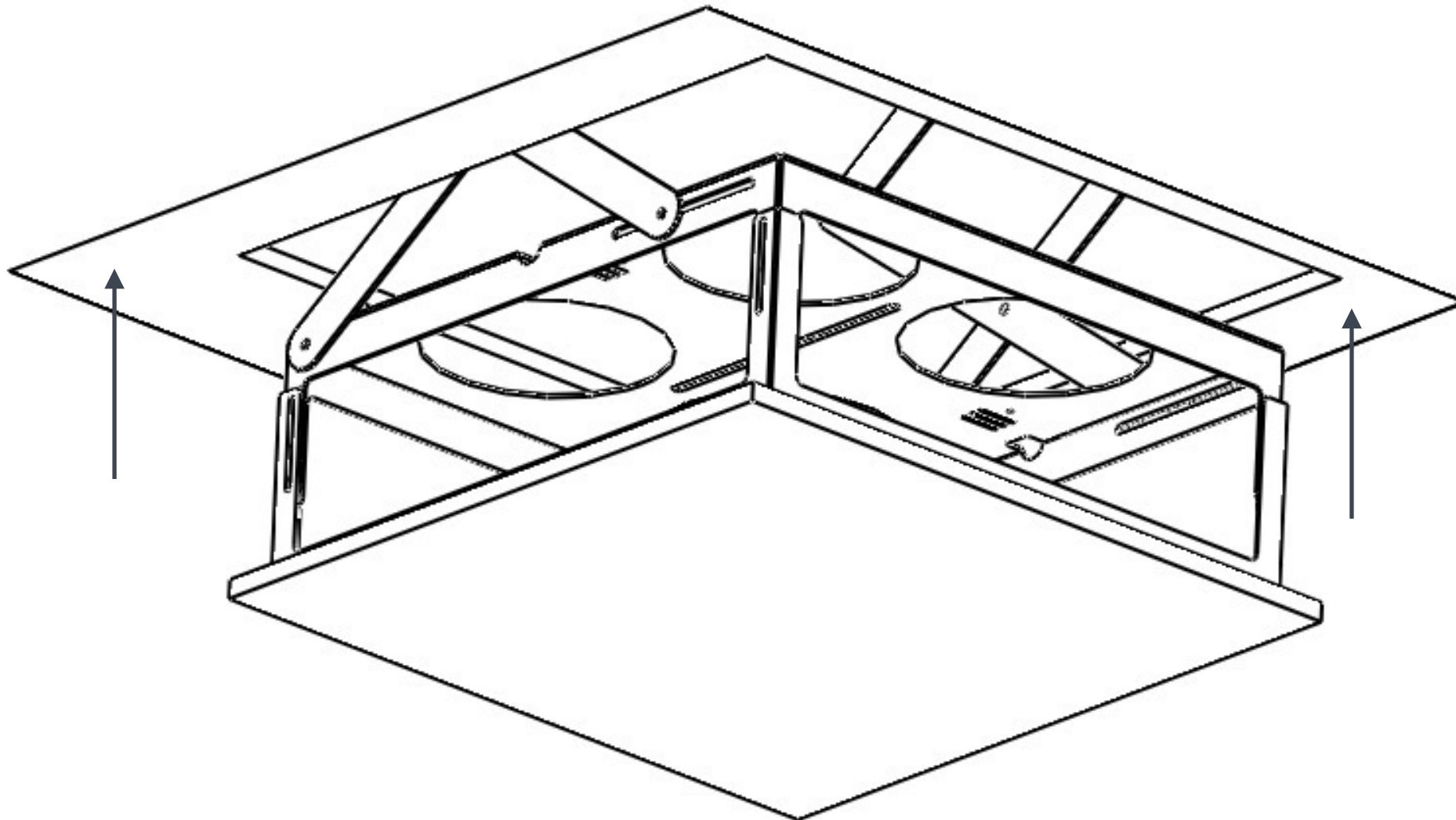


Adjust the desired opening height

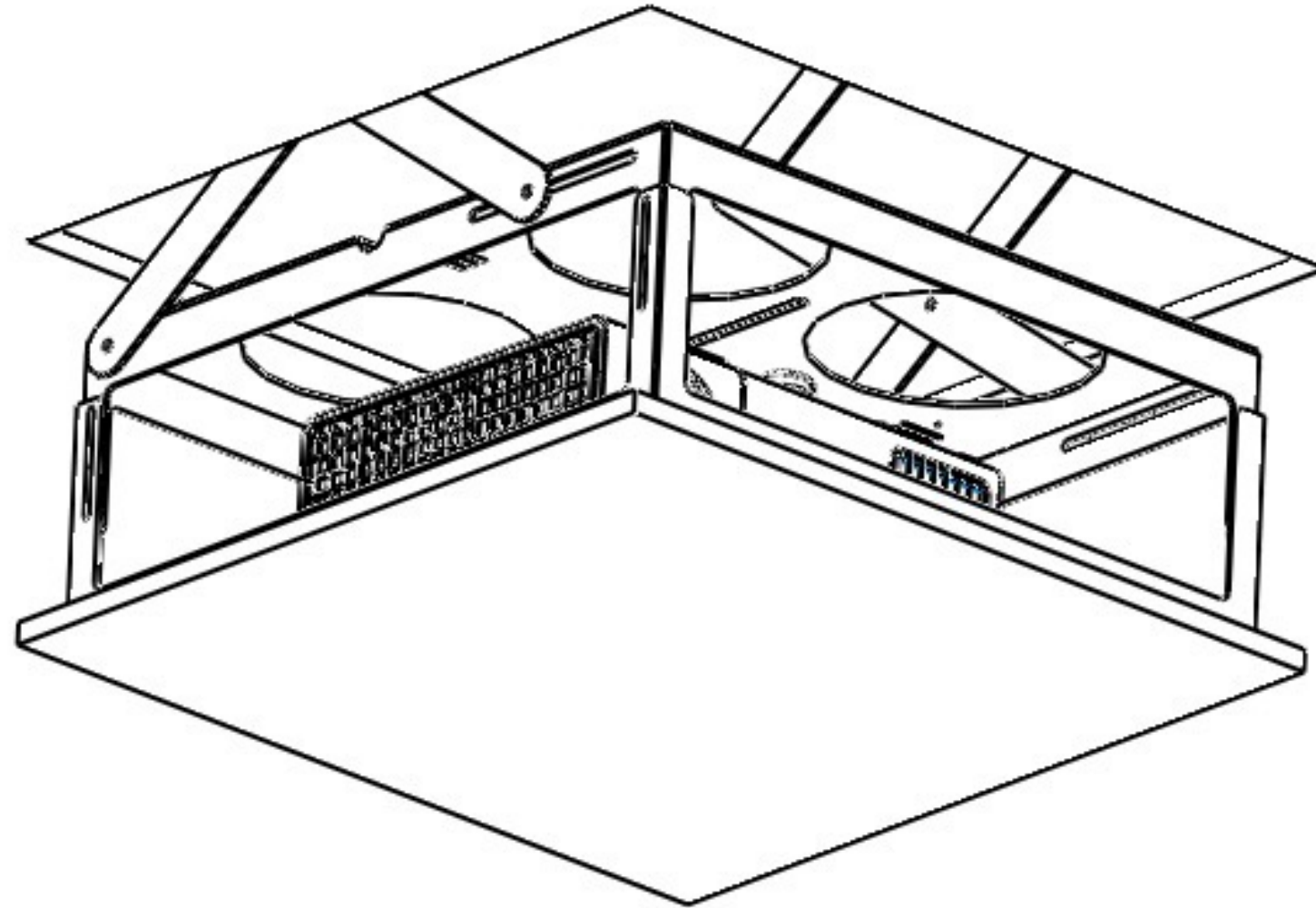




Create a wooden surface close to the desired size, please leave a margin of 2 mm on each side main square

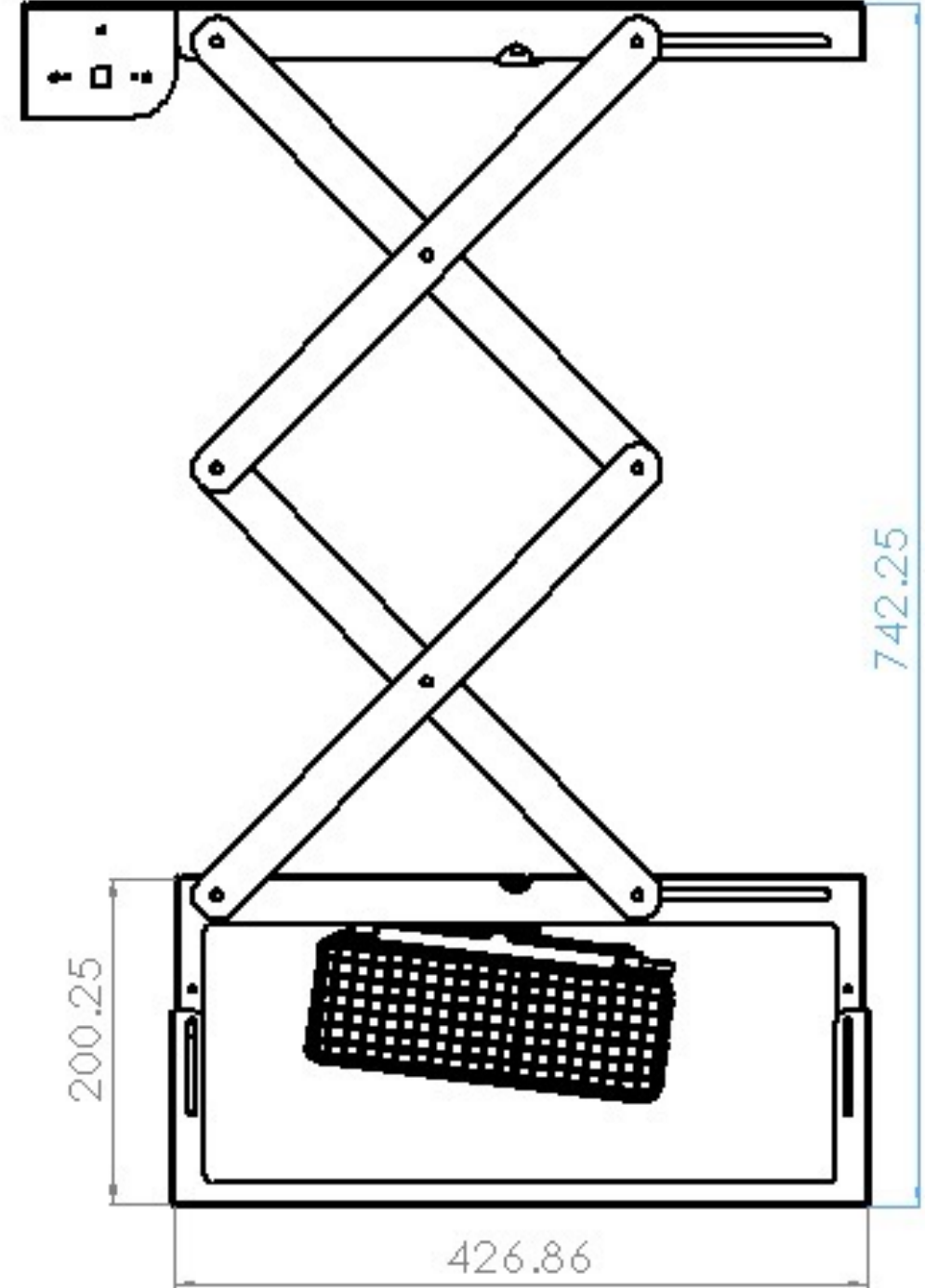
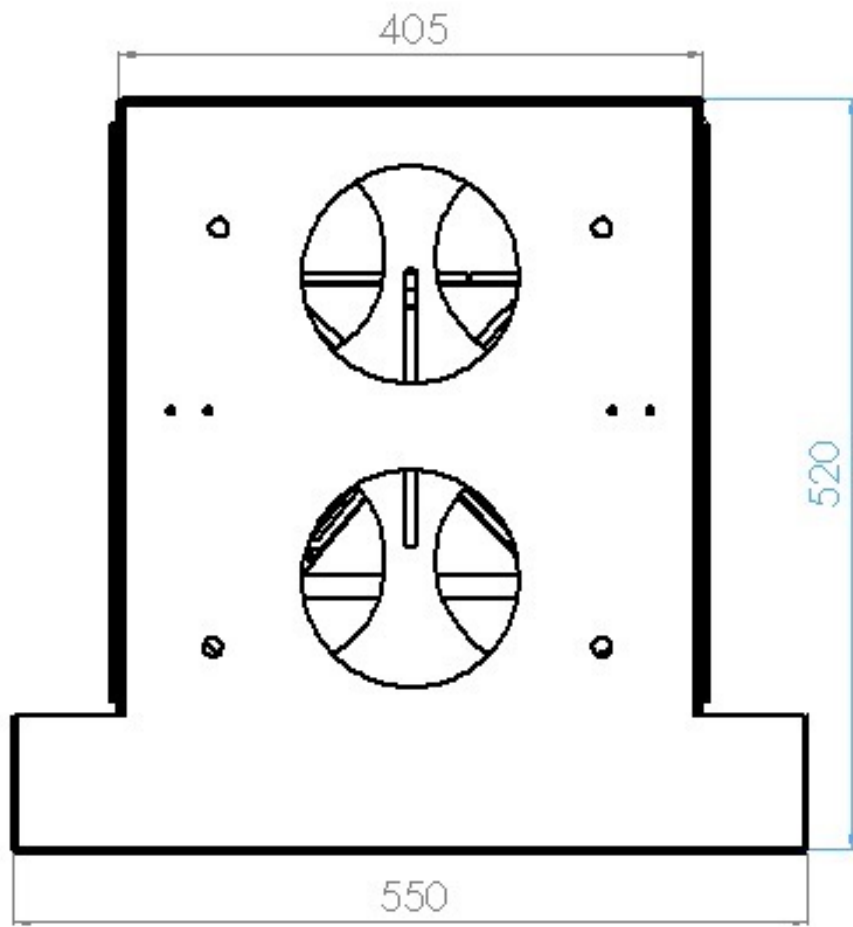
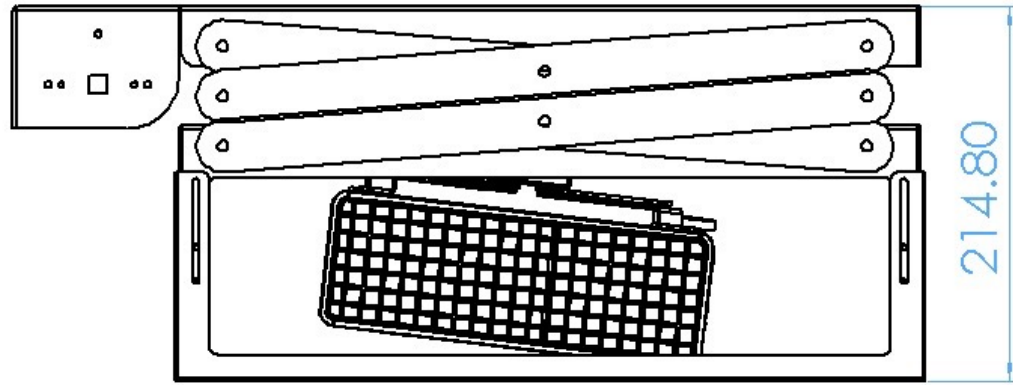


Set the wood surface with a ceiling and make sure it is installed in the desired location



install the projector on the arm and return it to the designated place in the lift, set the projector to the desired location

**Enjoy the product (-;**



| <b>Product Code</b>         | PRL-60                | PRL-120               | PRL-180               | PRL-240               |
|-----------------------------|-----------------------|-----------------------|-----------------------|-----------------------|
| <b>Control Options</b>      | Contact closure / RF  | Contact closure / RF  | Contact closure / RF  | Contact closure / RF  |
| <b>Finish / Custom</b>      | White RAL 9016        | White RAL 9016        | White RAL 9016        | White RAL 9016        |
| <b>Open Travel</b>          | 600 mm                | 1200 mm               | 1800 mm               | 2400 mm               |
| <b>Max Weight</b>           | 12kg                  | 12kg                  | 12kg                  | 12kg                  |
| <b>Dimensions<br/>H+W+D</b> | 550 x 520 x<br>215 mm | 550 x 520 x<br>255 mm | 550 x 520 x<br>315 mm | 550 x 520 x<br>355 mm |
| <b>Weight</b>               | 10kg                  | 11kg                  | 12kg                  | 13kg                  |
| <b>Power supply</b>         | Input 100-240V        | Input 100-240V        | Input 100-240V        | Input 100-240V        |