

4

3

2

1

F

F

E

E

D

D

C

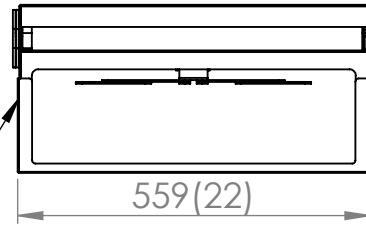
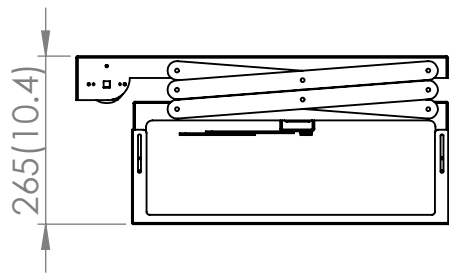
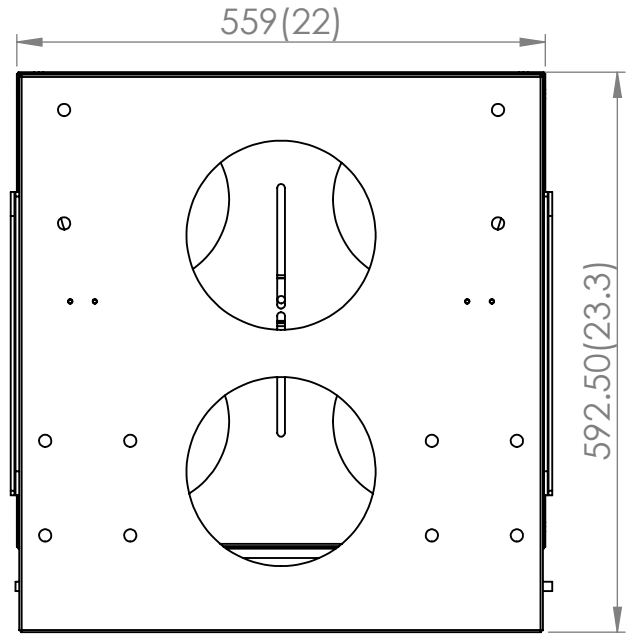
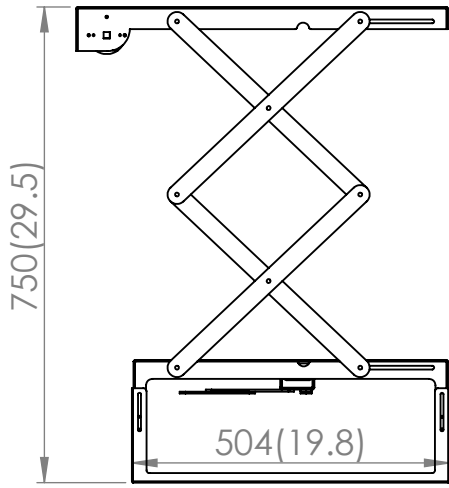
C

B

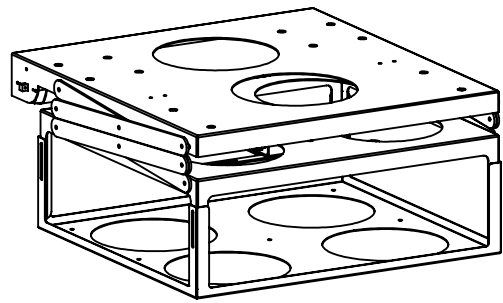
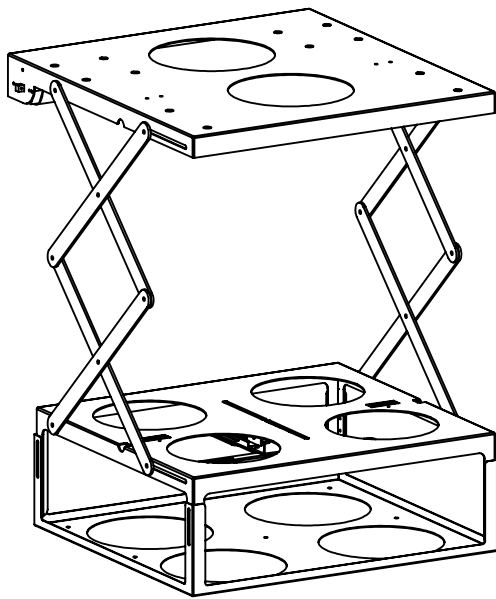
B

A

A



Max projector thickness 200mm (7.9)



iCONNECT

Copyright 2004-2023 All Rights Reserved

iConnect Ltd ©

TITLE:

PRL-4550

DWG NO.

A4

SCALE:1:20

SHEET 1 OF 1

4

3

2

1