

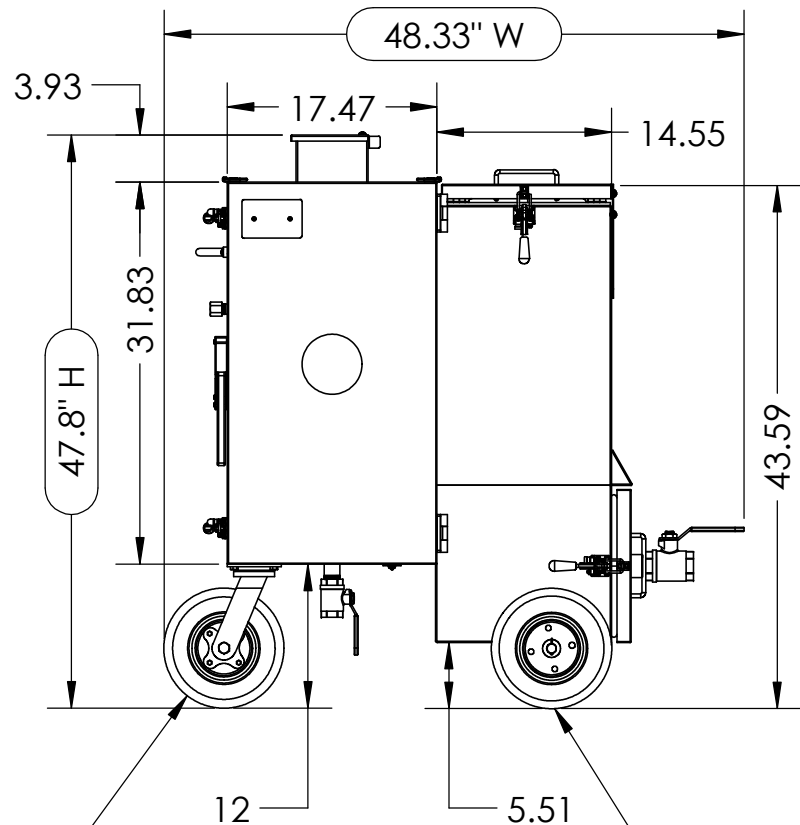
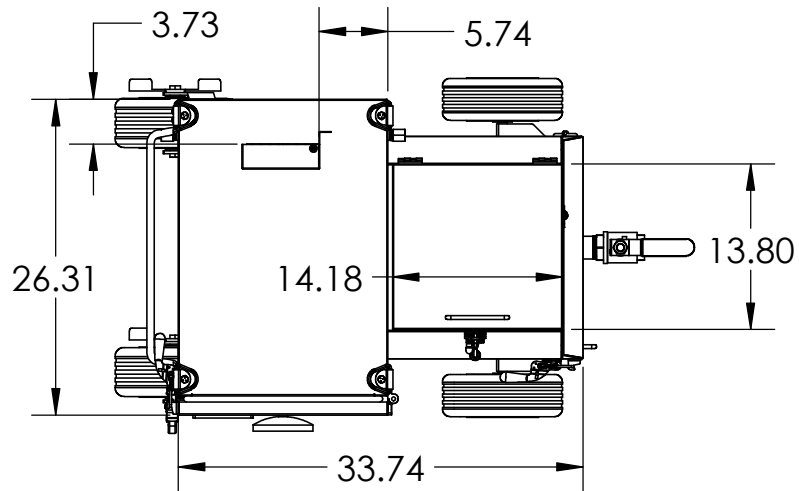
1. HANDCRAFTED IN THE USA
2. 100% INSULATED
3. 100% WELDED
4. HIGH-TEMPERATURE DURABLE POWDER COAT FINISH
5. OPTIMIZED SHAPE TO MAXIMIZE CAPACITY

179 Cross Rd. Waterford, CT. 06385
 PHONE 1-855-HOG-RULES
 Monday thru Friday: 8am-5pm EST
<https://myronmixonsmokers.com>

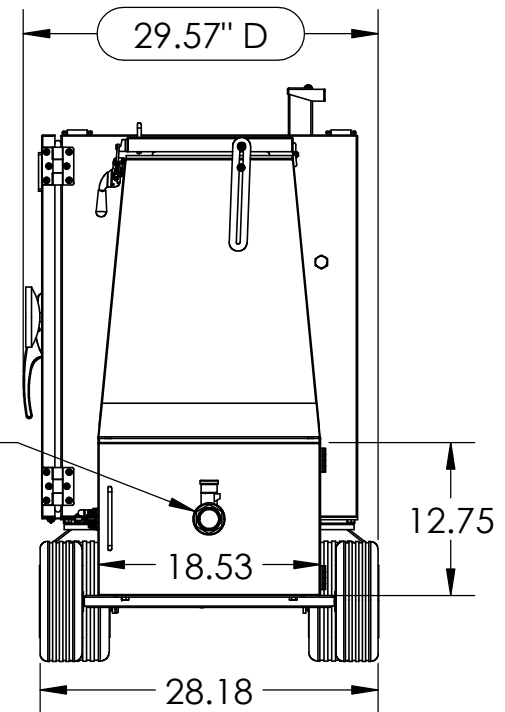
MODEL **G9**

DRAWN BY J. PFLOMM, M. WHITTLE

REV 06	DATE 6/21/2018	SHEET 1
--------	----------------	---------



1.5" BALL VALVE
ACCEPTS STANDARD
TEMP. CONTROL FANS



10" HEAVY DUTY NO-FLAT
LOCKING SWIVEL TIRES

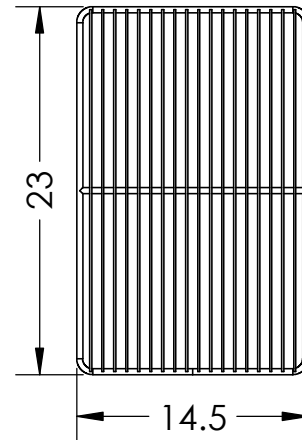
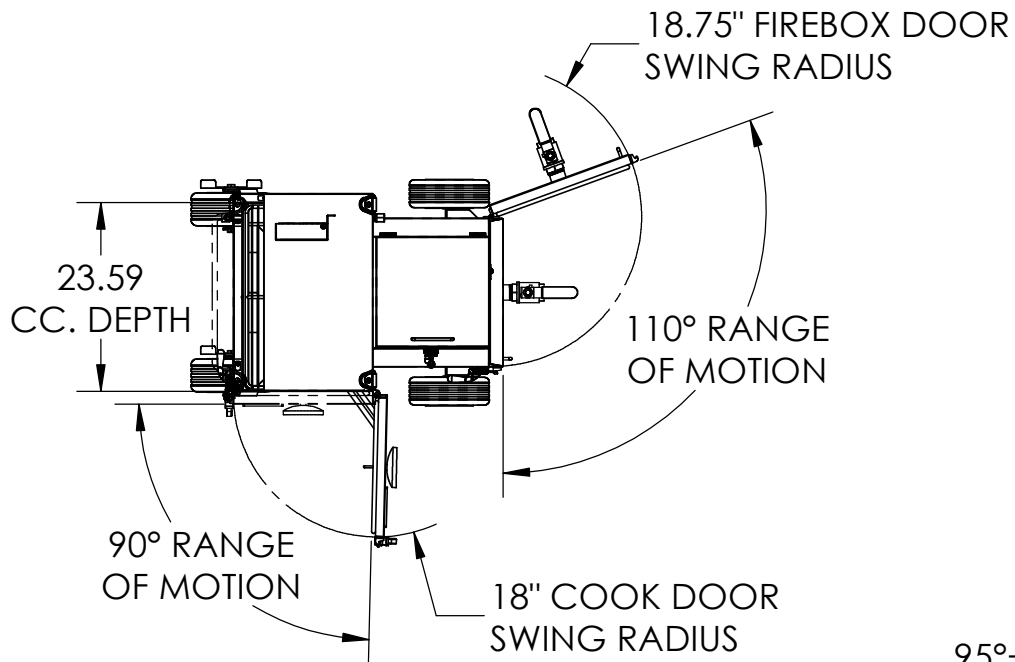
10" HEAVY DUTY
NO-FLAT TIRES

179 Cross Rd, Waterford, CT. 06385
PHONE 1-855-HOG-RULES
Monday thru Friday: 8am-5pm EST
<https://myronmixonsmokers.com>

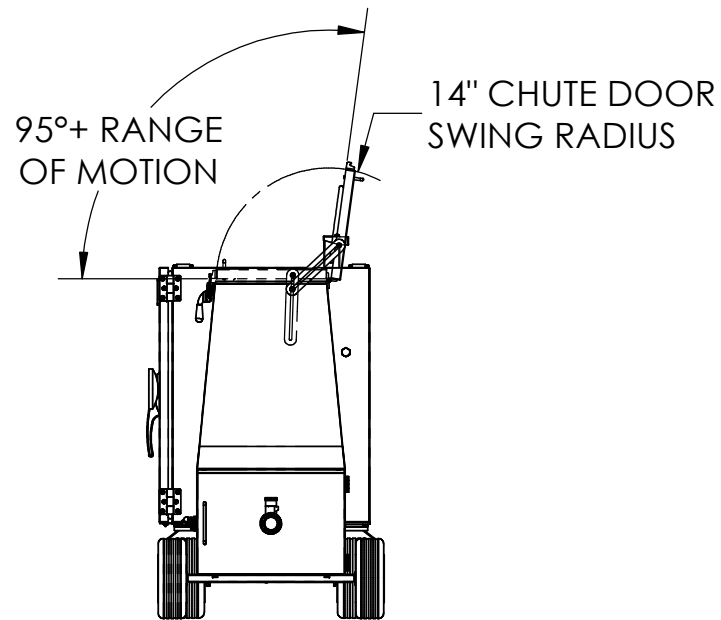
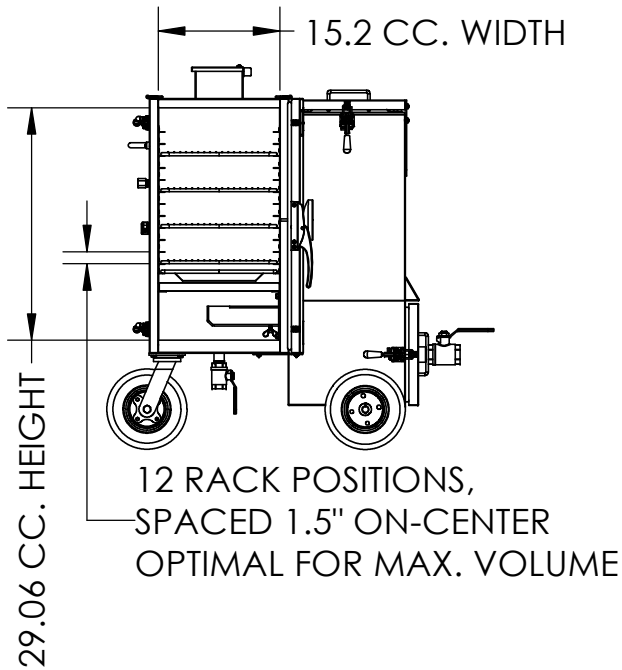
MODEL **G9**

DRAWN BY J. PFLOMM, M. WHITTLE

REV 06	DATE 6/21/2018	SHEET 2
--------	----------------	---------



RACK AREA:
334 IN² PER RACK
1334 IN² STOCK (4)
2001 IN² MAX (6)



179 Cross Rd. Waterford, CT. 06385
PHONE 1-855-HOG-RULES
Monday thru Friday: 8am-5pm EST
<https://myronmixonsmokers.com>

MODEL G9		
DRAWN BY J. PFLOMM, M. WHITTLE		
REV 06	DATE 6/21/2018	SHEET 3