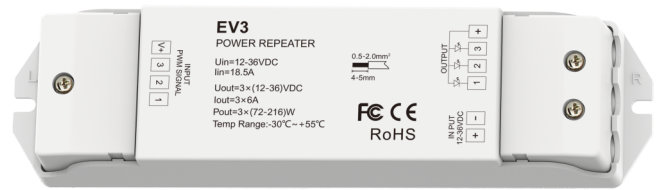


### 3 Channel Constant Voltage Power Repeater

- 12-36V constant voltage power repeater.
- 3 channel, 6A per channel.
- To receive PWM signal control.
- Power repeater in series or in parallel to expand output unlimitedly.
- Apply to single color or RGB constant voltage LED strip or module.

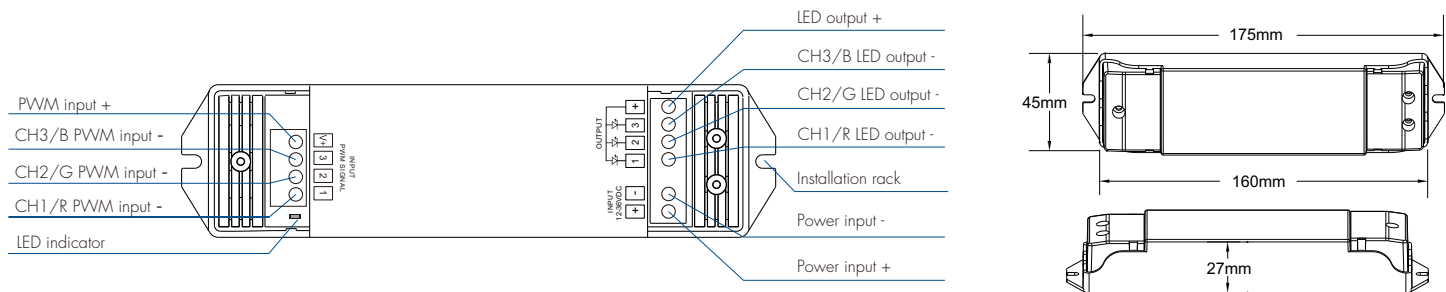


FC CE RoHS emc LVD

#### Technical Parameters

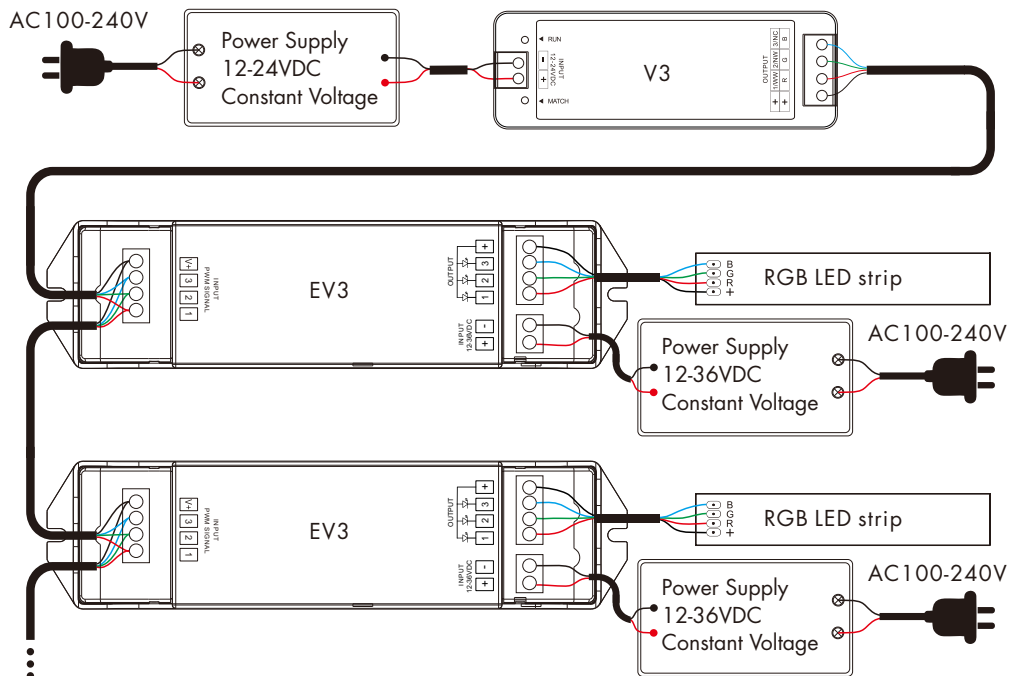
Input and Output		Warranty and Protection		Safety and EMC	
Input voltage	12-36VDC	Warranty	5 years	EMC standard (EMC)	ETSI EN 301 489-1 V2.2.3 ETSI EN 301 489-17 V3.2.4
Input current	18.5A	Protection	Reverse polarity Over-heat Short circuit	Safety standard(LVD)	EN 62368-1:2020+A11:2020
Input signal	PWM	<b>Environment</b>		Certification	CE,EMC,LVD
Output voltage	3 x (12-36)VDC	Operation temperature	Ta: -30°C ~ +55°C	<b>Package</b>	
Output current	3CH,6A/CH	Case temperature (Max.)	Tc: +85°C	Size	L178x W50 x H38mm
Output power	3 x (72-216)W	IP rating	IP20	Gross weight	0.129kg
Output type	Constant voltage				

#### Mechanical Structures and Installations

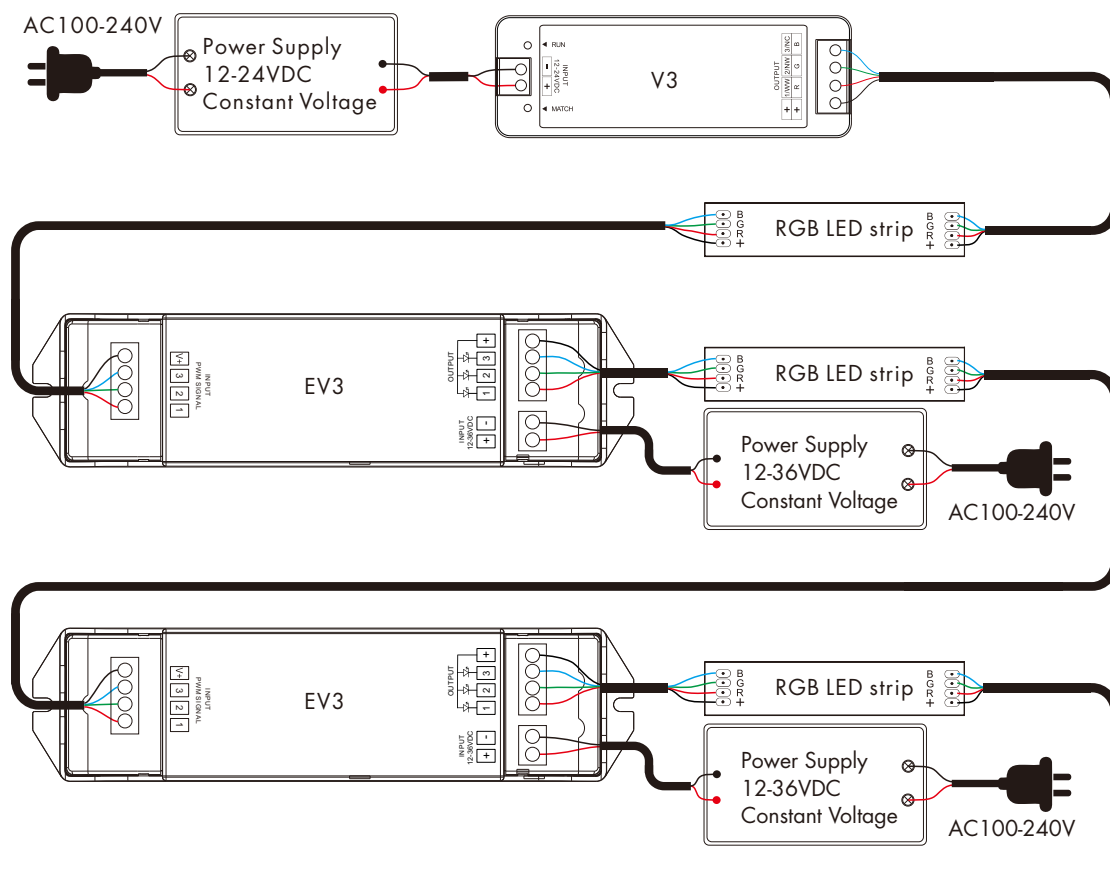


#### Wiring Diagram

- Parallel connection



● Series connection



Note: If the power repeater is over heat or short circuit, the LED indicator will blink.

### Malfunctions analysis & troubleshooting

Malfunctions	Causes	Troubleshooting
No light	<ol style="list-style-type: none"> <li>No power.</li> <li>Wrong connection or insecure.</li> </ol>	<ol style="list-style-type: none"> <li>Check the power.</li> <li>Check the connection.</li> </ol>
Wrong color	<ol style="list-style-type: none"> <li>Wrong connection of R/G/B wires.</li> </ol>	<ol style="list-style-type: none"> <li>Reconnect R/G/B wires.</li> </ol>
Uneven intensity between front and rear, with voltage drop	<ol style="list-style-type: none"> <li>Output cable is too long.</li> <li>Wire diameter is too small.</li> <li>Overload beyond power supply capability.</li> <li>Overload beyond controller capability.</li> </ol>	<ol style="list-style-type: none"> <li>Reduce cable or loop supply.</li> <li>Change wider wire.</li> <li>Replace higher power supply.</li> <li>Add power repeater.</li> </ol>

### Safety & Warnings

- The product shall be installed and serviced by a qualified person.
- This product is non-waterproof. Please avoid the sun and rain.
- Good heat dissipation will prolong the working life of the controller, Please ensure good ventilation.
- Please check if the output voltage of any power supplies used comply with the working voltage of the product.
- Ensure all wire connections and polarities are correct and secure before applying power to avoid any damages to the LED lights.
- If a fault occurs please return the product to your supplier. Do not attempt to fix this product by yourself.