

DARCHE ECLIPSE TENT ANNEX

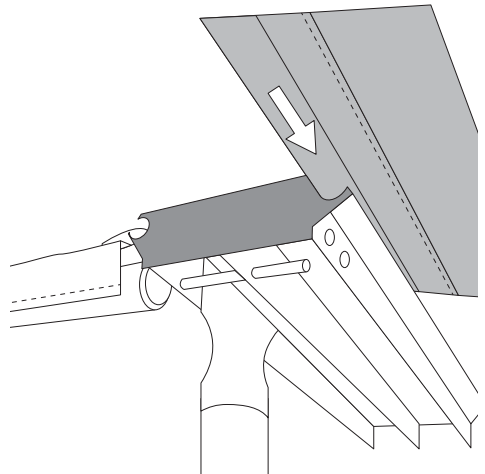
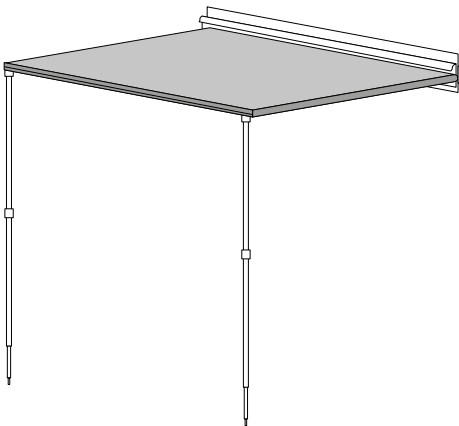
INSTRUCTIONS & WARNINGS

Thank you for purchasing a Darche Tent Annex. Before erecting and using your Tent Annex, please thoroughly read the instructions and warnings below. Should you have any questions or require assistance, contact your Darche retailer, or call our customer service line: 1300 367 695. In order to familiarise yourself with the Tent Annex, we recommend that you unpack and set up this Tent Annex at home before camping use.

SET UP INSTRUCTIONS

STEP 1 The Tent Annex can be quickly and easily attached to your erected Darche Eclipse awning.

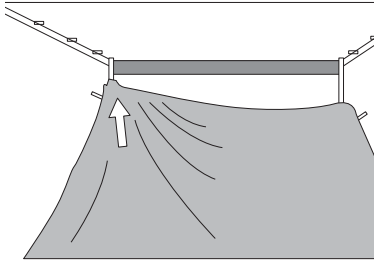
STEP 2 Slide the rope cord with zip attachment flange along the front awning rope track.



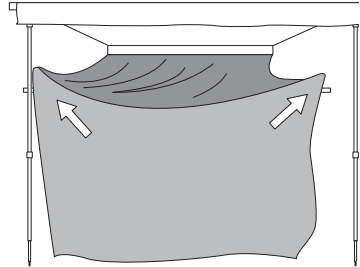
WARNING: ENSURE SUFFICIENT AWNING FALL FOR WATER RUN-OFF IS PROVIDED.

GUY ROPES PRESENT AS TRIP HAZARDS IN DAY OR NIGHT CONDITIONS. WE STRONGLY SUGGEST THAT ALL STORM GUY ROPES ARE ATTACHED AND PEGGED TO THE GROUND. UNEXPECTED WIND GUSTS COULD CAUSE SEVERE STRESS ON ALLOY POLES CAUSING FAILURE.

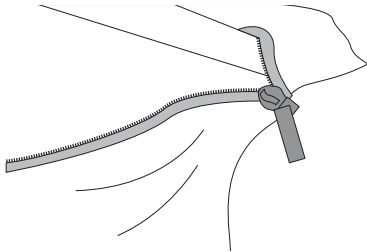
STEP 3 Slide main body of the Tent Annex into the lower rope track on the main awning extrusion.



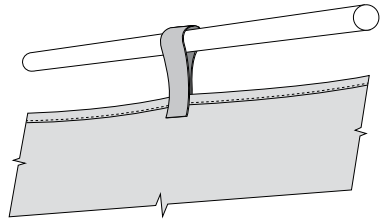
STEP 4 Pull Tent Annex forward, towards the front awning rope track.



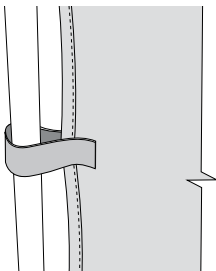
STEP 5 Zip the two sections together. It may be necessary to release the tension on the awning rafter arms to get the zip started.



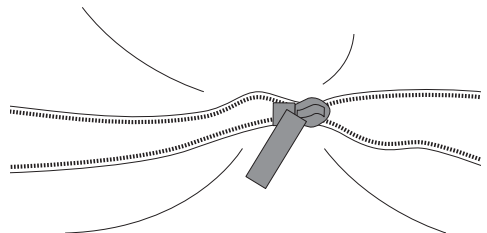
STEP 6 Once the Tent Annex has been installed, the awning rafter arms can be re-tensioned. Then fix Velcro loops to the awning rafter arms.

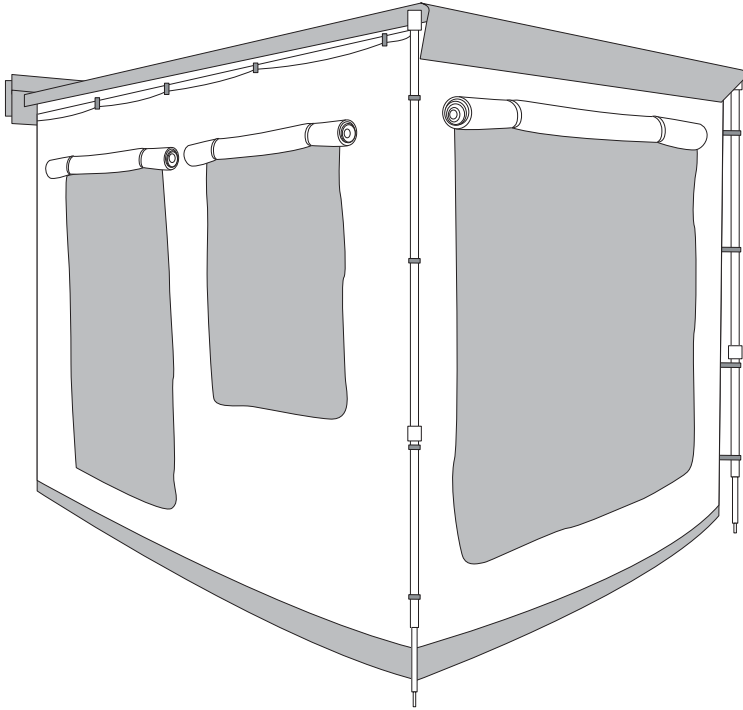


STEP 7 Fix Velcro loops to the awning rafter legs.



STEP 8 Optional: The PVC floor can be zipped to the Tent Annex.





⚠ SAFETY WARNING ⚠

DO NOT ATTEMPT TO SETUP TENT ANNEX IN WINDY CONDITIONS.

ALL STORM GUY ROPES MUST BE ATTACHED AND PEGGED TO THE GROUND AT ALL TIMES.

GUY ROPES ARE TRIP HAZARDS IN THE DAY AND NIGHT.

KEEP ALL FLAME AND HEAT SOURCES AWAY FROM THE TENT ANNEX MATERIALS.

UNDER NO CIRCUMSTANCE SHOULD ANY NAKED FLAME SOURCES OR HEATING DEVICES BE USED UNDER OR NEAR THE TENT ANNEX.

KEEP CAMP FIRES WELL AWAY FROM TENT ANNEX.

KEEP A LOOK OUT FOR ANY AIRBORNE BURNING EMBERS THAT MAY COME INTO CONTACT WITH THE TENT ANNEX.

KEEP A FIRE EXTINGUISHER OR WATER BUCKET NEARBY.

DO NOT SMOKE WITHIN THE TENT ANNEX.

DO NOT OPERATE ANY DEVICE WHICH BURNS FUEL INSIDE OF THE TENT ANNEX.

KEEP EXIT CLEAR.

CARE INSTRUCTIONS

CLEANING

Clean with cold fresh clean water and a soft brush.



**WARNING: DO NOT USE SOAPS OR DETERGENTS ON THE TENT ANNEX.
DO NOT EXPOSE TO PETROLS, OILS OR HARSH CHEMICALS.**

STORING

Correct storage is vital. If the Tent Annex was dismantled when wet, then it must be dried as soon as possible. INCORRECT STORAGE IS NOT COVERED BY THE WARRANTY.

SUITABILITY

The Tent Annex has been designed for general camping use in normal conditions.



WARNING: NOT SUITABLE FOR EXTREME CONDITIONS.

12 MONTH WARRANTY

Darche will replace or repair any Darche product at its discretion that is subject to faulty manufacturing or workmanship including materials.

EXCLUSIONS: The above warranty is limited to manufacturing and materials defects. Not including damage caused by misuse or abuse, wear and tear, condensation, extreme weather, accidents, incorrect set up, damage caused by mould, insects, animals or children. This also excludes damage caused by a jammed, snagged zipper or excessive force applied to zipper causing failure.

MAKING A CLAIM: Please ensure you retain your sales receipt of purchase. To make a claim in relation to the above manufacturer's warranty, please complete the claim form at www.darche.com.au/warranty. If you require additional assistance, phone 1300 367 695 or email warranty@darche.com.au to discuss and arrange your claim. Product subject to warranty will be sent to Darche, 75 Heyington Avenue, Thomastown, Victoria 3074. All freight costs associated with return of product for assessment is payable by consumer.

CONSUMER RIGHTS: Our goods come with guarantees that cannot be excluded under Australian law. You are entitled to a replacement or refund for a major failure and for compensation for any other reasonably foreseeable loss or damage. You are also entitled to have goods repaired or replaced if the goods fail to be of acceptable quality and failure does not amount to a major failure.

Darche reserves the right to vary the product specifications and features.

Designed and tested in Australia for Australian conditions. A brand by Charles Parsons.

Telephone 1300 367 695. Email: info@darche.com.au
75 Heyington Avenue, Thomastown, VIC 3074, Australia

www.darche.com.au