

# XL DOUBLE STRETCHER

# DARCHE®

OUTDOOR GEAR

## IMPORTANT

Before setting up for the first time read the instructions carefully.

## WARNING

**KEEP ALL FLAME AND HEAT SOURCES AWAY FROM THIS STRETCHER AT ALL TIMES.**

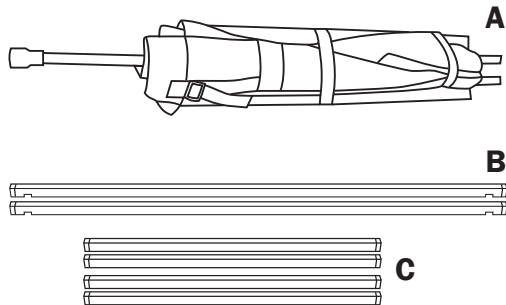
**BE AWARE OF POTENTIAL PINCH POINTS DURING ASSEMBLY AND PACK DOWN.**

**NEVER STAND ON THE STRETCHER.**

**AVOID SITTING ON THE SIDE RAILS WHEN GETTING ON AND OFF THE STRETCHER.**

## CONTENTS

- 1 x Stretcher (A)
- 2 x End bars (B)
- 4 x Support bars (C)

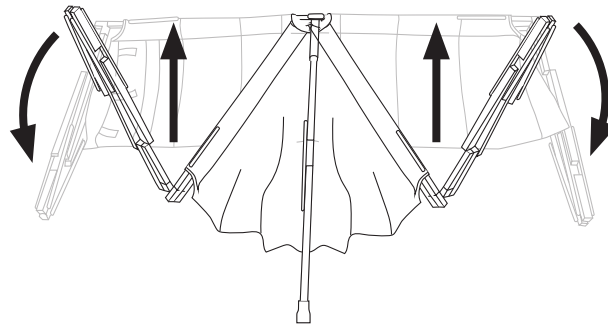


Order No:

## SETTING UP YOUR STRETCHER

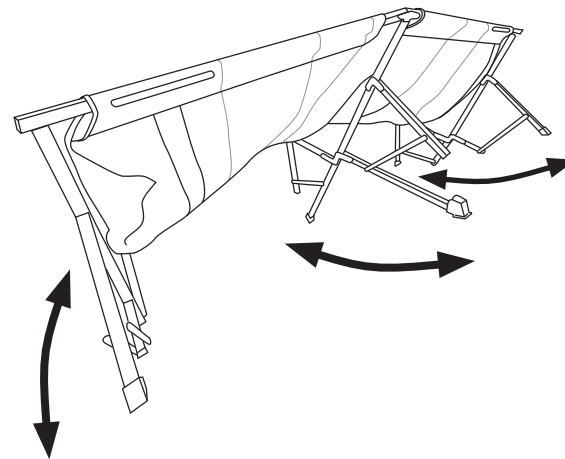
### STEP 1

Undo the hook and loop straps and fold out the leg frames



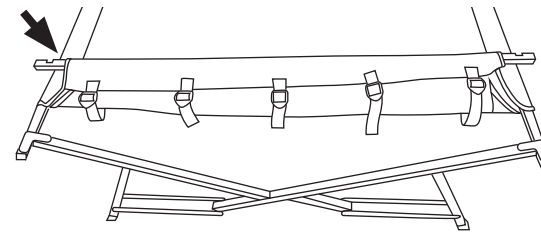
### STEP 2

Stretch the legs out to set up



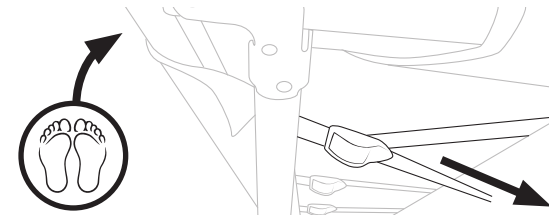
### STEP 3

Insert an end head pole through the sleeve at the head of the stretcher then slot in on to the the black buttons. Repeat with the foot end.



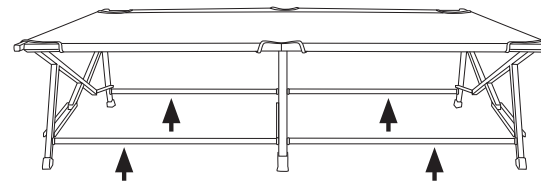
### STEP 4

At the foot end, tension the straps once the pole is secure



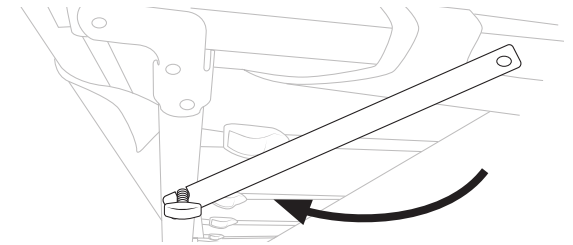
### STEP 5

Slot in the four centre bars underneath the stretcher



### STEP 6

Position the four corner rods and screw in to secure



## STRETCHER CARE INSTRUCTIONS

- Do not machine wash
- Spot clean and hand wash canopy only
- Do not clean with soap, detergent, petrol, oil or solvents
- Do not iron
- Do not dry clean
- Lay on a flat surface to dry
- Ensure stretcher is fully dry before storing

**DARCHE.COM.AU**

Designed and tested in Australia for Australian conditions

A brand by Charles Parsons.

Telephone: 1300 367 695

Email: [info@darche.com.au](mailto:info@darche.com.au)

75 Heyington Avenue

Thomastown VIC 3074, Australia

**DARCHE: LEADERS IN OUTDOOR DESIGN, PROUDLY AUSTRALIAN.**

V1 - JUL 2023

**DARCHE.COM.AU**