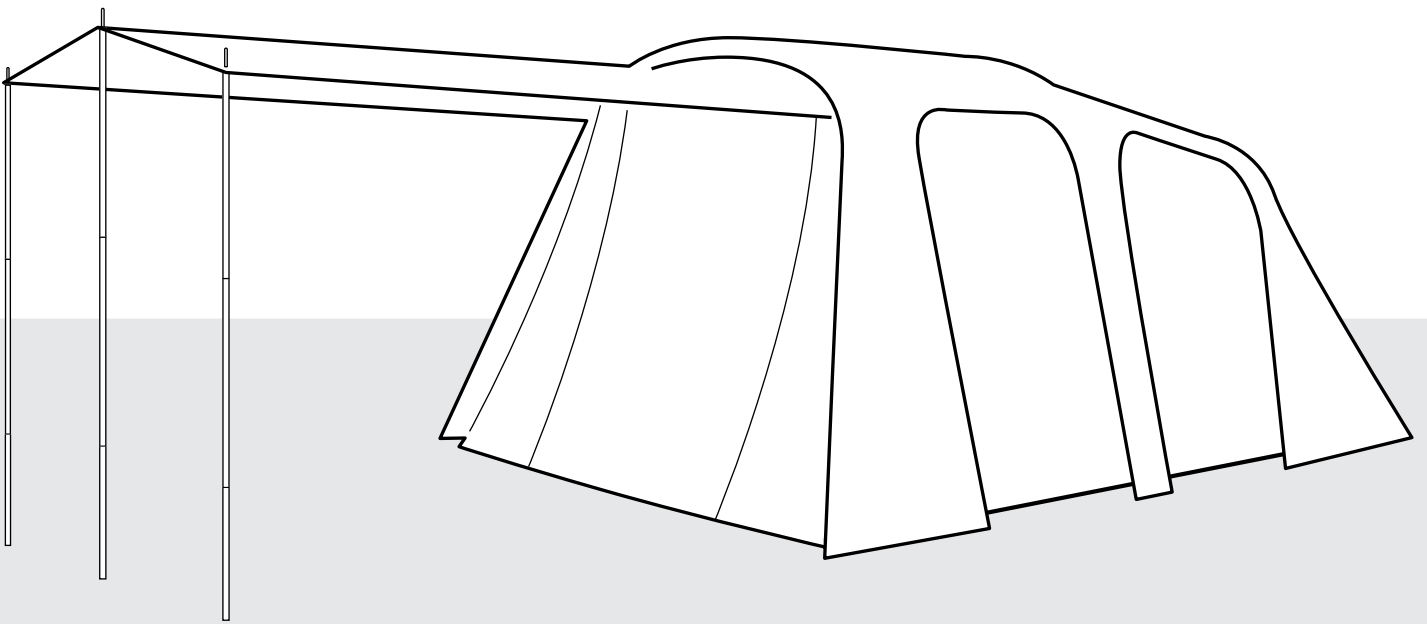




AIR-VOLUTION™

AIR-VOLUTION™ AT-4 & AT-6 TENTS

SET-UP & CARE INSTRUCTIONS



READ AND UNDERSTAND THESE INSTRUCTIONS BEFORE USING YOUR TENT IF YOU REQUIRE ADDITIONAL ASSISTANCE, CONTACT YOUR DARCHE RETAILER, OR CALL DARCHE ON **1300 367 695**

GET TO KNOW YOUR TENT

We recommend you check all parts are included and set up this tent at home before camping use.

AT-4 TENT CARRY BAG CONTENTS

- 1 Air-Volution™ AT-4 Tent with two inflatable TPU (Thermoplastic Polyurethane) Air Poles
- 1 Inflatable TPU Ridge Poles
- 1 Peg bag containing 29 pegs
- 1 High capacity air pump with hose
- 1 Pressure release valve
- 1 Zip on front awning
- 1 Pole bag containing: **3** Awning poles & **3** Guy ropes

AT-6 TENT CARRY BAG CONTENTS

- 1 Air-Volution™ AT-6 Tent with three inflatable TPU (Thermoplastic Polyurethane) Air Poles
- 2 Inflatable TPU Ridge Poles
- 1 Peg bag containing 38 pegs
- 1 High capacity air pump with hose
- 1 Pressure release valve
- 1 Zip on front awning
- 1 Pole bag containing: **3** Awning poles & **3** Guy ropes

THE AIR-VOLUTION™ DIFFERENCE – INFLATABLE POLES

INFLATABLE AIR POLES

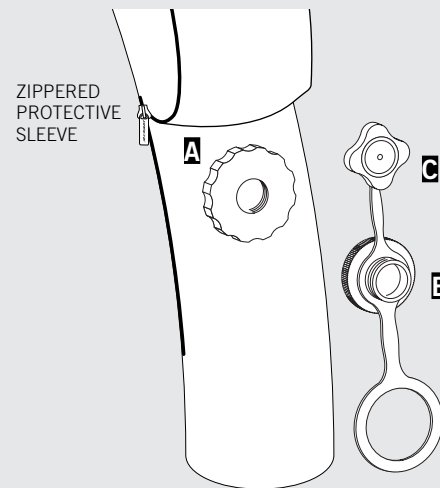
Inflatable TPU (thermoplastic polyurethane) Air Poles are used to replace traditional poles. The Air Poles are housed in durable sleeves and require minimal pressure to inflate and provide the necessary structural support.

! WARNING: DO NOT OVER-INFLATE AS THIS MAY CAUSE THE AIR POLES TO RUPTURE AND CAUSE INJURY.

The Valve Collar **A**, Boston Valve **B**, and Valve Cap **C**.

- The Boston Valve **B** and Valve Cap **C** can be opened turning anti-clockwise and closed turning clockwise.

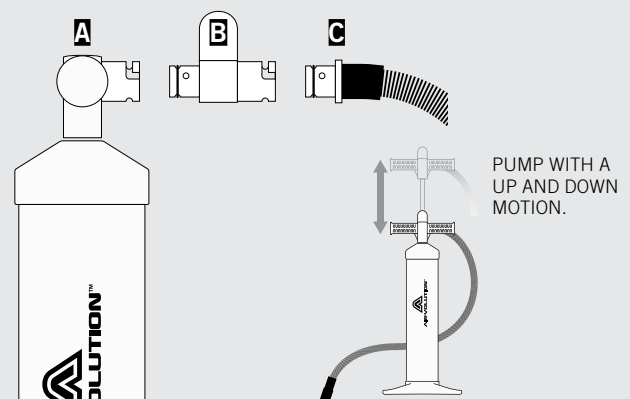
TIP NEVER UNZIP AN AIR POLE SLEEVE WHILST INFLATED – ENSURE THE BLADDER IS COMPLETELY DEFLATED PRIOR TO UNZIPPING.



THE AIR PUMP

- The hand operated pump is high volume, low pressure, especially designed to inflate all Air-Volution™ TPU poles.
- A pressure release valve on the pump will gauge the amount of pressure required to inflate the Air Poles.
- Set up the pump by attaching the pressure release valve **B** to the pump **A** then attach the hose **C** to the pressure release valve **B**.

! WARNING: DO NOT USE A COMPRESSOR OR ANY OTHER PUMP TO INFLATE – ONLY USE THE INCLUDED PUMP.

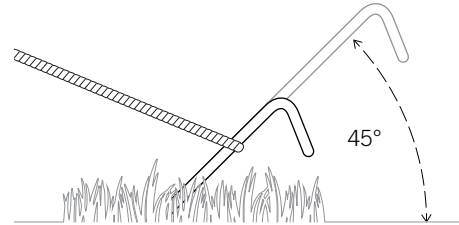


SET-UP STEPS AND INFORMATION

1

SITE SELECTION & INITIAL SET-UP

- Select a flat, well-drained surface clear of sharp objects.
- Fold out the tent and lay it out on the ground with the entrance positioned to your satisfaction.
- Secure the tent to the ground by using a peg in each corner as well as a peg at each pole end - refer page 4.
- Do not hit the peg all the way in at this point. Leave the hook exposed.



WARNING: DO NOT SET UP YOUR TENT UNDERNEATH ANY OVERHANGING TREE LIMBS.



To ensure maximum anchoring, insert the peg in the ground at a 45° angle.

2

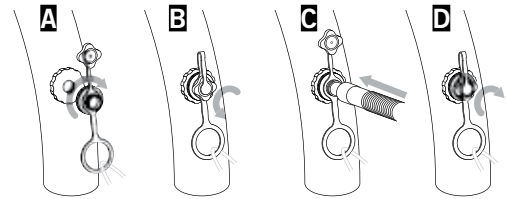
INFLATING THE AIR POLES

Inflate the Air Poles in this sequence:

AT-6 Tent ① Front, ② Rear, ③ Middle.

AT-4 Tent ① Front, ② Rear.

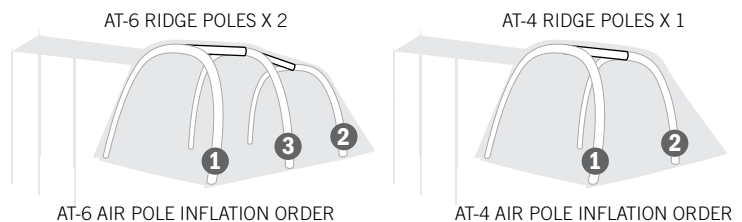
- To prepare the inflation of the Air Poles, place the Boston valve onto the pole's collar and tighten by screwing clockwise **A**. Ensure it screws in easily as rotating it forcefully may cause damage to the thread.
- Unscrew the valve cap by turning anti-clockwise **B**.
- Firmly insert the end of the pump hose into the valve **C** and commence inflating. When inflated remove pump hose and seal with valve cap **D**.



Whilst inflating the individual poles, it may be necessary to make adjustments as the poles begin to inflate. Lift the pole to help position it during the final stages of inflation **E**.

Note: Assistance may be required.

Repeat the above for the remaining poles.



AT-6 RIDGE POLES X 2

AT-4 RIDGE POLES X 1

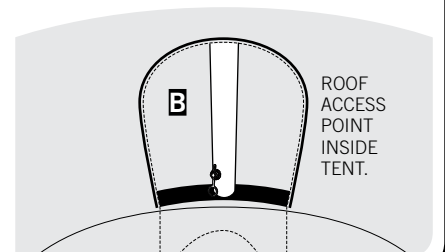
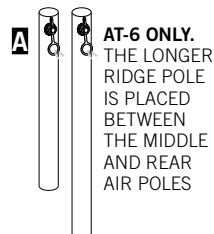
AT-6 AIR POLE INFLATION ORDER

AT-4 AIR POLE INFLATION ORDER

3

THE RIDGE POLES

- Install Ridge Poles after the Air Poles have been inflated.
- Inflate the Ridge Poles **A**.
- Enter the tent and unzip the roof access points **B** and insert the Ridge Poles, attach them to the Air Poles using the Velcro tabs located on the Air Pole and either end of the Ridge Poles.



ROOF ACCESS POINT INSIDE TENT.

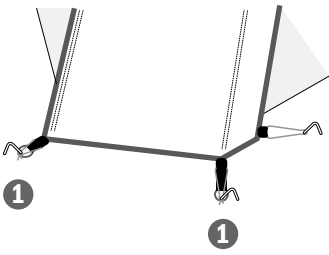
4

SECURING THE FLY AND GUY ROPES

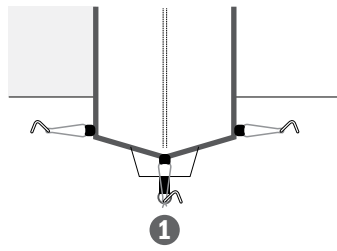
Anchor the fly on all corners as well as the Air Pole surrounds using both the previously anchored pegs (at Step 1) as marked with **1** and additional pegs.

Finish by securing all remaining peg points and guy ropes as per diagram below.

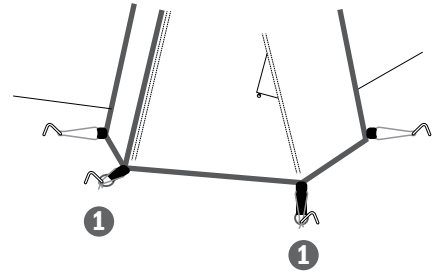
! WARNING: IT IS STRONGLY ADVISED THAT ALL GUY ROPES ARE SECURED AT ALL TIMES.



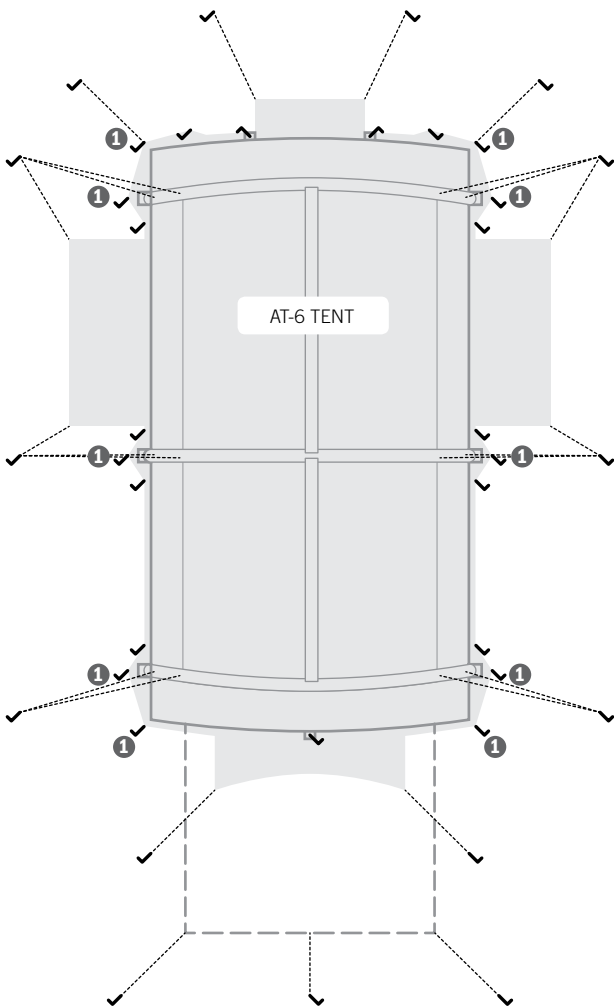
AT-4 AND AT-6
FRONT ANCHOR
POINTS



AT-6 ONLY
MIDDLE ANCHOR
POINTS

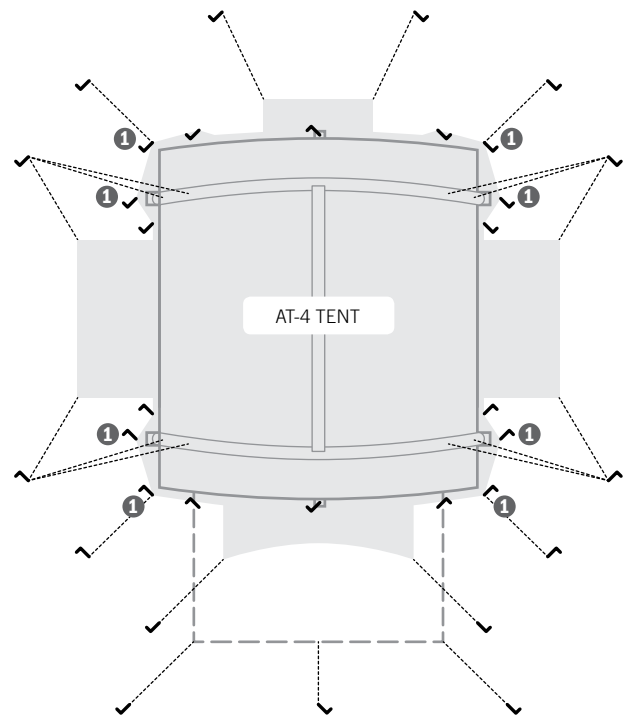


AT-4 AND AT-6
BACK ANCHOR
POINTS



1 PEGS ANCHORED
1ST AT STEP 1 OF
INSTRUCTIONS

--- AWNING
..... GUY ROPES



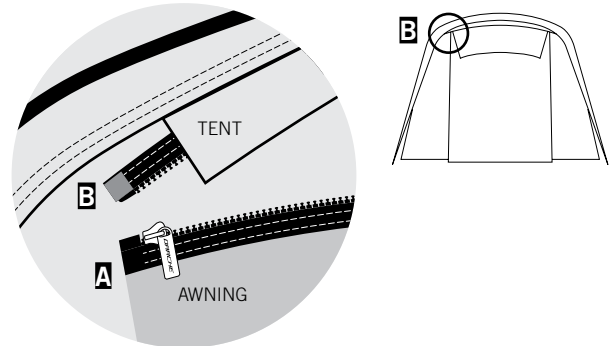
1 PEGS ANCHORED
1ST AT STEP 1 OF
INSTRUCTIONS

--- AWNING
..... GUY ROPES

5

SETTING UP THE AWNING - ATTACH TO TENT

- Once the tent is inflated and secured, it is time to attach the awning if it is required.
- Locate the zipper head on the awning **A** and engage it with the zip slide on the left hand side of the tent **B**. Complete the zip.
- The additional zips on either side of the awning are to attach awning walls. (Sold separately).



6

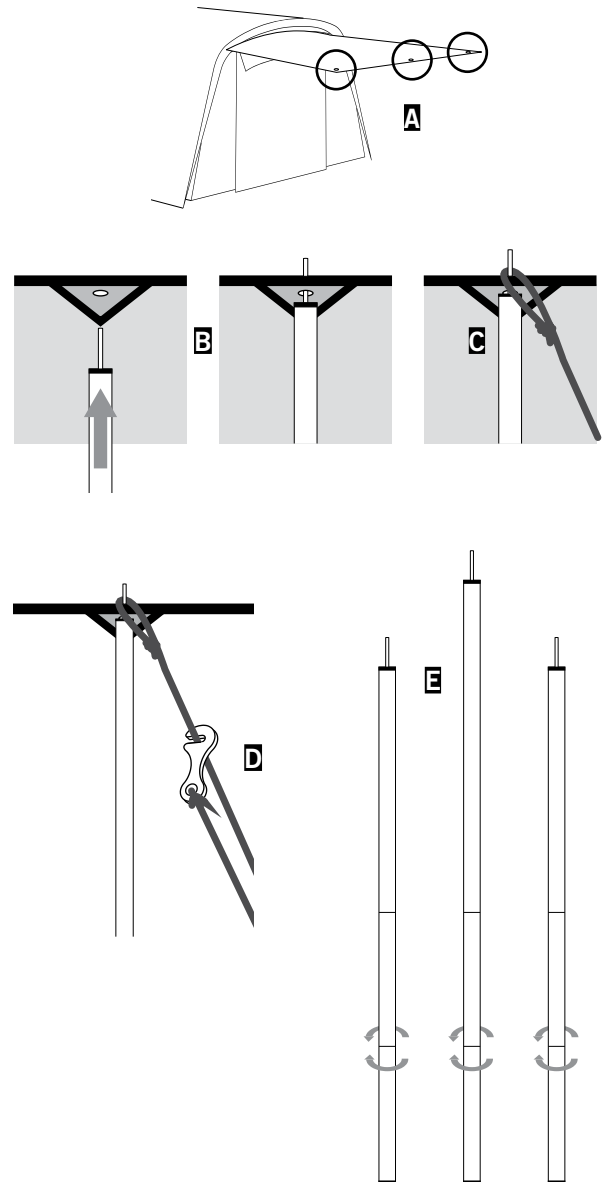
ATTACH THE AWNING TO THE POLES

- Locate the 3 eyelets on the awning **A** and insert a pole spigot into each eyelet **B**.
- Centre and adjust the pole to the desired height. Tie a loop on the ends of the supplied guy ropes and place over the spigot **C**.
- Tension the guy ropes with the supplied hook tensioners **D**. Refer recommended guy rope positions on previous page.
- Note: The tent has 3 x twist lock poles **E** included. 1 longer pole for the centre eyelet and 2 shorter poles for the outside eyelets.

Note: During wet conditions, it is essential the awning poles are lowered to allow sufficient slope for water run-off.



WARNING: IN ADVERSE CONDITIONS, IT IS STRONGLY ADVISED TO REMOVE THE AWNING FROM THE TENT TO AVOID DAMAGE AND INJURY.

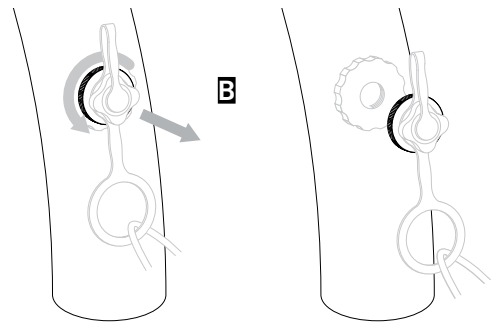
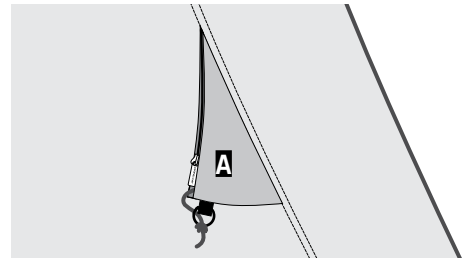


7

DISMANTLING

Before deflating your Air-Volution™ tent remove the awning poles and all guy ropes from their anchor points.

- Neatly pack all guy ropes and place them back in their individual pockets **A**.
- Remove both Ridge Poles from the ceiling of your tent.
- To deflate the Air Poles and the Ridge Poles unscrew each Boston Valves anti clockwise and release them from each Air Pole's collar **B**.

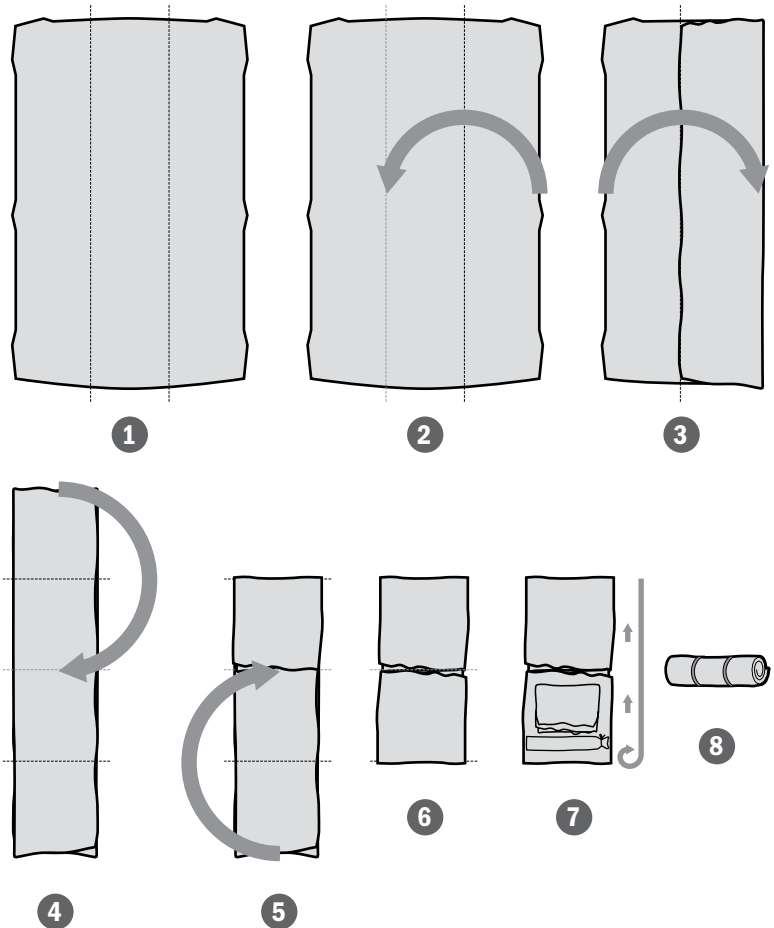


8

FOLDING AND PACKING

Once the tent has collapsed, remove all pegs and roll the tent up as per steps in diagram.

The diagram shows the rectangular proportions of the AT-6 tent, the AT-4 tent has square proportions but follows the same steps.



AT-4 AND AT-6 TENT SET-UP & CARE INSTRUCTIONS

CLEANING

Clean with cold water and a soft bristle brush. Do not use soaps and detergents. Do not expose to petrol, oils or harsh chemicals.

STORING

Correct storage is vital to the longevity of your Air-Volution™ tent. If the tent was packed up wet, it is essential it is unpacked and dried as soon as possible. Ensure all pegs are stored in their peg bag and no sharp edges make contact with the tent. Rot, mildew damage and incorrect storage is not covered under warranty.

REPAIRS

It is highly unlikely your tent will incur an Air Pole failure as a result of puncture if instructions are followed correctly. If an Air Pole failure occurs, replacement and spare bladders are available for purchase on the Darche website: <http://darche.com.au/products/spare-parts/>

STRUCTURAL INTEGRITY

The Darche Air-Volution™ tent has been designed for general camping use in normal conditions. Always ensure all guy ropes are anchored correctly. It may be necessary to re adjust guy ropes and pegs at times to maintain the structural integrity of the tent.

In strong wind, it is recommended to remove the front awning set up.

NOTE: Not suitable for extreme conditions. Darche's wind tunnel test video was released to demonstrate the strength and integrity of the Air Poles in adverse conditions.

Damage caused by wind will not be covered under warranty.

CONDENSATION

Condensation is a natural occurrence in confined areas such as tents. It is commonly caused by the human

body releasing more moisture than the tent can dispose of in colder conditions. To minimise condensation we recommended slightly opening the window of the tent to allow airflow on cold nights.

AIR PRESSURE MAINTENANCE

As a result of changes in ambient temperature, the Air Poles may seem to gain or lose pressure in certain situations. This is a natural occurrence, not an indication of a puncture or leak.

During hot conditions air expands. It may be necessary to occasionally release some air from all poles.

If you believe there is a leak on one of the Air Poles, check that the Boston Valve is closed tightly and is not cross threaded. Periodically cleaning the rubber diaphragm on the Boston Valve may also reduce the chance of a leakage.

WATERPROOFNESS

Darche has taken great care in its development when designing their tents in regards to waterproofness. With the use of water repellent materials and the High Frequency sealing of all seams we have tried to eliminate water ingress as best as possible on our recreational tents. Unfortunately with the addition of zips and multiple layers of material, wind driven rain may cause water to enter the tent at times. To minimise this, ensure all rain flaps are covering the zips.

Seams connecting multiple layers of fabric could leak at times depending on weather conditions and location. A quick and easy solution would be to use a recommended seam sealant over the affected area.

USING THE AWNING

The zip on awning is designed to provide a sheltered area over the entrance of the Air-Volution™ tent. It is made using water repellent materials however, depending on sloping angles and wind driven rain, water will leak through the attaching zip. To avoid this, ensure to lower the poles of your awning to allow for adequate run-off away from the zip.

SAFETY WARNINGS

KEEP ALL FLAME AND HEAT SOURCES AWAY FROM THE FABRIC.

UNDER NO CIRCUMSTANCE SHOULD ANY NAKED FLAME SOURCES OR HEATING DEVICES BE USED INSIDE OR NEAR THE TENT.

KEEP CAMP FIRES WELL AWAY FROM THE TENT.

KEEP A LOOK OUT FOR ANY AIRBORNE BURNING EMBERS THAT MAY COME INTO CONTACT WITH THE TENT.

KEEP A FIRE EXTINGUISHER OR WATER BUCKET NEARBY.

DO NOT SMOKE WITHIN THE TENT.

DO NOT OPERATE ANY DEVICE WHICH BURNS FUEL INSIDE OF THE TENT.

KEEP EXITS CLEAR.

WE RECOMMEND FIXING GUY ROPES AT ALL TIMES WHEN TENT IS IN USE.

REMAIN CAUTIOUS AROUND GUY ROPES TO PREVENT INJURY.

ENSURE CHILDREN INSIDE THE TENT ARE SUPERVISED AT ALL TIMES.

DARCHE[®]

darche.com.au

Designed and tested in Australia for Australian conditions.

A brand by Charles Parsons.

Telephone 1300 367 695.

Email: info@darche.com.au

75 Heyington Avenue,
Thomastown VIC 3074, Australia

DARCHE: LEADERS IN OUTDOOR DESIGN. PROUDLY AUSTRALIAN.