



## **VORTEX 13 MULTIWASH**

OPERATIONS AND MAINTENANCE MANUAL  
FOR COMMERCIAL USE ONLY



Model No. TS050-W13-U

## Getting Started

Introduction .....	2
Warranty .....	3
Grounding Instructions .....	4
Important Safety Instructions .....	5-6
Cleaning Agents .....	7
Technical Specifications .....	8
Brush Selection.....	9

## Operating Instructions

Key Features .....	10
Assembly .....	11-13
Controls .....	14-16
Operation .....	17-18
Cleaning .....	19-21
Transport and Storage .....	22
Maintenance .....	23
Accessories .....	24
Fault Diagnosis .....	25

Your new Tornado unit is a high quality, precision-made product. All parts used in the manufacturing of this unit have passed rigid quality control standards prior to assembly. Please safeguard the original receipt/invoice given at the time of purchase. If you experience any problems with your unit during the warranty period, the original receipt/invoice will act as proof of purchase.

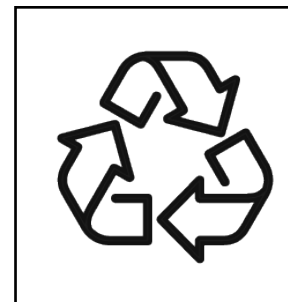
**Upon receipt, inspect outer box for exterior damage. Unpack all internal parts, ensure no hidden damage is found.**

Each unit is tested and thoroughly inspected prior to shipping. If damage is discovered, immediately notify the transportation company that delivered your machine and request an inspection. As a manufacturer, we are unable to act upon any claim for concealed damage and you must originate the claim. Be sure to keep the carton, packing inserts, and carrier's receipt until the inspector has verified your claim.



### Protect the environment

Please dispose of packaging materials in an environmentally safe way according to local waste disposal regulations.



Always remember to recycle.



### Warranty

Within 30 days of purchase, to activate product warranty, go to:  
<https://tornadovac.com/services/warranty-registration-form.aspx>  
For warranty information go to [www.tornadovac.com](http://www.tornadovac.com).



### Warning Labels

Prior to operating the unit, read and understand completely this owner's manual paying special attention to warning labels. These labels indicate a potentially hazardous situation that could result in death or serious injury if not avoided. Use only as described in this manual.

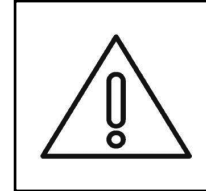


### Important

There are no owner serviceable parts inside this machine. Removal of screws and accessing internal components will void all warranty claims.

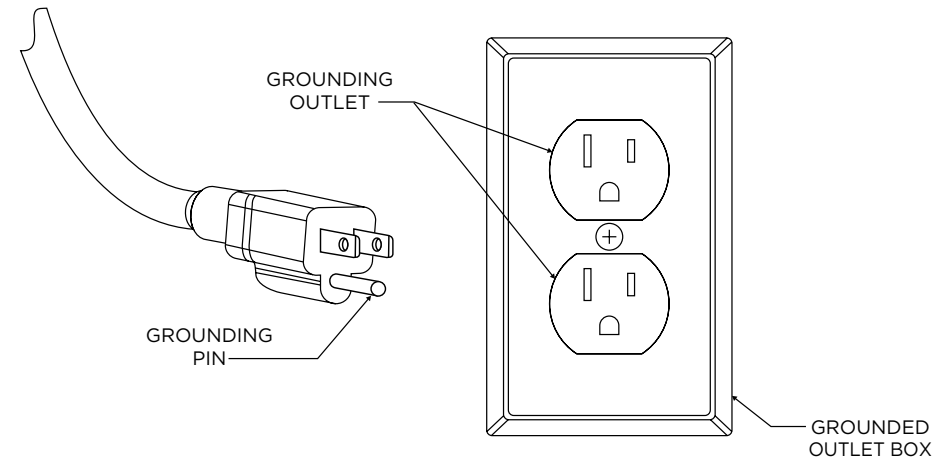
## GROUNDING INSTRUCTIONS

This appliance must be grounded. If it should electrically malfunction, grounding provides a path of least resistance for the current to reduce the risk of electric shock. This machine is equipped with a cord having an equipment grounding conductor and grounding plug. The plug must be inserted into an appropriate outlet that is properly installed and grounded in accordance with all local codes and ordinances.



Improper connection of the equipment grounding conductor can result in a risk of electric shock. Check with a qualified electrician or service person if you are in doubt as to whether the outlet is properly grounded. Do not modify the plug provided with the appliance. If the plug will not fit the outlet, have the proper outlet installed by a qualified electrician.  
**DO NOT REMOVE THE GROUNDING PIN FOR ANY REASON.**

This appliance is for use on a nominal 115-volt circuit and has a grounding plug that appears as shown below.



# IMPORTANT SAFETY INSTRUCTIONS

Read and understand this owner's manual and all labels on the unit before operating. Safety is a combination of common sense, staying alert, and knowing how your unit works. To reduce the risk of personal injury or damage to your unit use only as indicated in this manual.



## FOR COMMERCIAL USE ONLY

To reduce the risk of fire, electrical shock, or injury, the instructions below must be read and understood completely prior to machine operation

**IMPORTANT:** The manufacturer cannot accept responsibility for damage caused when the appliance is not used according to the instructions, or for uses other than those for which it was intended.

## WARNING:

- This machine must only be used for the manufacturer's approved application as described in this manual.
- The machine must be unpacked and assembled in accordance with these instructions before connecting to the electrical supply.
- Only genuine accessories and spare parts provided with the machine or those approved by the manufacturer should be used. The use of other accessories may impair the safety of the machine. All repairs must be performed by a qualified service agent.
- **DO NOT** modify the machine from its original design.
- Operators must be fully trained in the use of the machine in accordance with these instructions and be able to perform regular user maintenance as outlined in this manual.
- Operators should be physically capable to maneuver, transport and operate the machine.
- Operators should be able to recognize unusual operation of the machine and report any problems.
- This machine is not intended for use by persons (including children) with reduced physical, sensory or mental capabilities, or lack of experience and knowledge unless they have been given instruction concerning use of the machine and are under supervision by a person responsible for their safety.
- Keep children and unauthorized persons away from the machine when in use. **DO NOT** use the machine as a toy.
- **DO NOT** use with a damaged cord or plug. If it has been damaged, left outdoors or dropped in water, return it to a service center for inspection and/or repair.
- **DO NOT** use where hazardous dust is present.
- **DO NOT** use in an explosive environment.
- **DO NOT** pick up or use near flammable or combustible fluids, hazardous dusts or vapors.
- **CAUTION** – If it is suspected that there is hazardous dust or flammable/corrosive material, stop cleaning the area immediately and consult your supervisor.
- **DO NOT** use to clean up any burning or lighted materials such as cigarettes, matches, ashes, or other combustible objects.
- Only use the machine on firm, level surfaces. **DO NOT** use the machine on gradient or slope of more than 2%.

## SAVE THESE INSTRUCTIONS

# IMPORTANT SAFETY INSTRUCTIONS

- **CAUTION** – This machine is for dry, indoor use only and should not be used or stored outdoors or in wet conditions. Protect from rain.
- Take care when using this machine near the top of stairs to avoid loss of balance.
- **DO NOT** cover the machine when in use.
- **DO NOT** run the machine dry as this could damage the floor surface and/or the machine itself.
- **DO NOT** leave the machine running unattended.
- Keep hair, loose clothing, hands, feet, and all other parts of the body away from openings and moving parts. Do not put hands under base as rotating parts can cause injury.
- **DO NOT** put any object into openings. **DO NOT** use with any opening blocked. Keep free of dust, debris and anything that may reduce airflow.
- **DO NOT** use volatile or combustible solvents (e.g., diesel, petrol, PA, trichloromethane) nor any corrosive, toxic, or highly irritant substance to wash floors, even if diluted. In the event of accidental contact with any such substances (e.g., due to spills) follow the decontamination procedures in force at the user site. If in any doubt about the condition of the machine, contact Tornado or the dealer/agent who supplied the machine.
- **DO NOT** leave the machine unattended when plugged in. Unplug from outlet when not in use and before changing brushes or attempting any maintenance or adjustment.
- **DO NOT** fill the machine with water hotter than 104°F (40°C).
- When used on escalators, ensure the machine is positioned at the bottom of the escalator with the escalator moving towards the operator.
- **DO NOT** pull or carry by cord, use cord as a handle, close a door on cord, or pull cord around sharp edges on corners.
- **DO NOT** run machine over cord. Keep cord away from heated surfaces.
- **DO NOT** unplug by pulling on cord. To unplug, grasp the plug, not the cord. Do not handle plug or machine with wet hands. Turn off all controls before unplugging.
- Connect only to a properly grounded outlet. See grounding instructions.
- Use care to keep electrical supply cable from contacting moving parts such as floor brushes.
- Make sure voltage and frequency at the wall receptacle correspond with that indicated on nameplate before plugging in machine.
- The machine must be kept clean and in good condition with regular inspections of the power cord and plug for signs of any damage. If any parts are damaged, they shall only be replaced by an approved part by the manufacturer, its service agent or a similar qualified person in order to avoid a hazard.
- Only replace the power cord with original OEM equipment.

## SAVE THESE INSTRUCTIONS

## CLEANING AGENTS

- When using cleaning and care agents, the manufacturer's danger warnings must be followed, and proper PPE must be worn per manufacturer's instruction.
- Only use low-foaming, non-combustible cleaning agents which DO NOT contain generally health-hazardous substances.
- Please ensure that after each use, any chemical residue is rinsed out with clean water.



The manufacturer cannot accept responsibility for damage caused when the appliance is not used in accordance with the instructions provided or for uses other than those for which it was intended.

## OPERATOR GUIDELINES

Let the machine do the work. Grip the handle as lightly as possible.

- Wear suitable footwear to avoid slipping.
- Wear suitable clothing to keep dry.
- Do not smoke when using the machine.
- Do not use excessively foaming or highly corrosive cleaning solutions. If operating on a flooded floor, ensure that water depth does not exceed 6mm (1/4 inch).



This machine is heavy. Do not attempt to lift the machine without assistance. Incorrect lifting techniques may result in personal injury.

## TECHNICAL SPECIFICATIONS

Specification	Value
Voltage	115
Hertz	60
Cleaning Width	13 in / 340 mm
Handle Height	44 in / 1110 mm
Width	18 in / 450 mm
Length	15 in / 390 mm
Motor Power	950 Watts
Amperage	8.2
Brush Speed	670 RPM
Solution Tank Capacity	1 Gallon / 4 Liters
Cleaning Capacity	3767 ft <sup>2</sup> /hr. / 350 m <sup>2</sup> /hr.
Noise Level	69 db(A)

Handle vibration does not exceed 2.5 m/s<sup>2</sup> when operating on a smooth, hard surface.

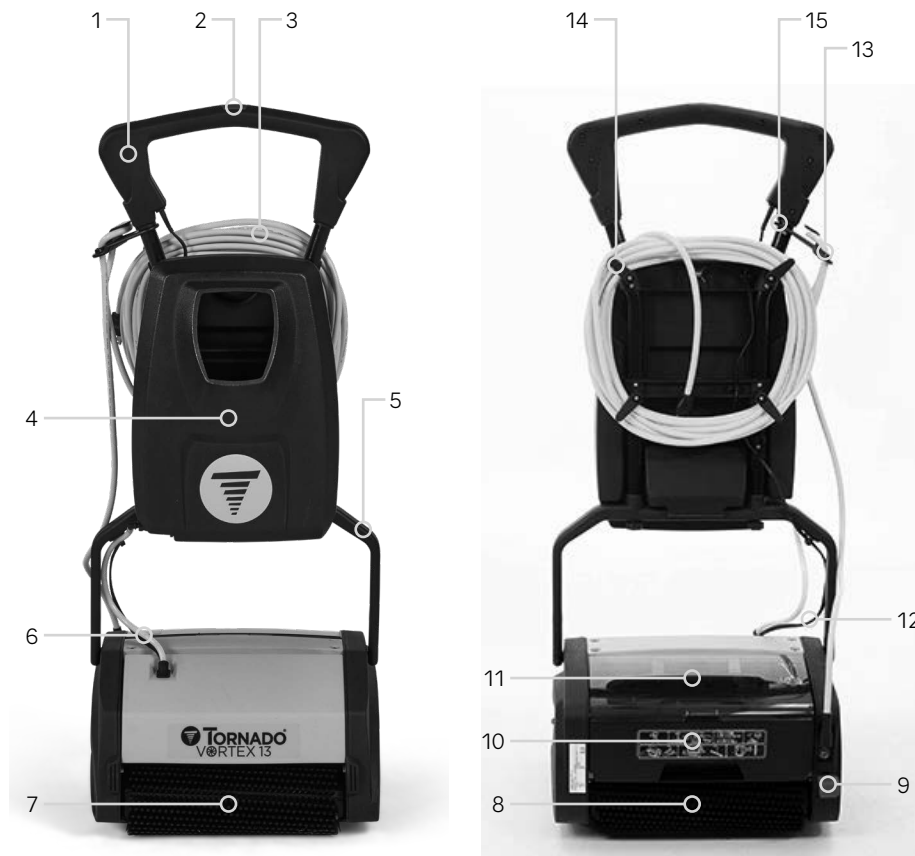
- Noise levels measured at a distance of 3.28 feet (1 meter) from machine and 5.25 feet (1.6 meters) above floor when washing a hard floor.
- Above values are approximate. Since the company's policy is to continuously improve the product, there could be changes without prior notice.
- Cleaning Capacity above is theoretical as there are potentially many variances in machine operation.

## BRUSH SELECTION

Floor Type	First Time Cleaning	Maintenance Cleaning
Grouted Tile, Ceramic, Mosaic, Wood, Sports Floors, Rubber, Vinyl Tile	Standard	Soft
Short Pile Carpet	Carpet	Carpet
Marble, Granite, Slate	Soft	Soft
Smooth Concrete	Hard	Standard
Others	To suit individual floor conditions	

Brush Type	Part Number
Standard	93120
Soft	93121
Hard	93122
Escalator	33859
Side	93049

## KEY FEATURES



Item	Description
1	Handle
2	Solution Control Button
3	Power Cord
4	Solution Tank
5	Handle Bracket
6	Solution Hose
7	Front Brush
8	Rear Brush

Item	Description
9	Handle Release Pedal
10	Dirty Water Tank
11	Dirty Water Tank Lid
12	Pump Control Cable Routing Location
13	Power Cord Retainer
14	Power Cord Wrap Hooks
15	Cable

## ASSEMBLY

1. Insert the handle assembly into the handle bracket. (Fig.1)
2. Using the knob, star washer and flat washer, fasten the handle to the handle bracket. (Fig. 2)
3. Ensure the handle solution tank pin is toward the front of the unit and the cord wrap hooks are towards the rear. (Fig. 3)
4. Feed the pump control cable through the (5) locations shown in the handle bracket and handle. (Fig. 4)

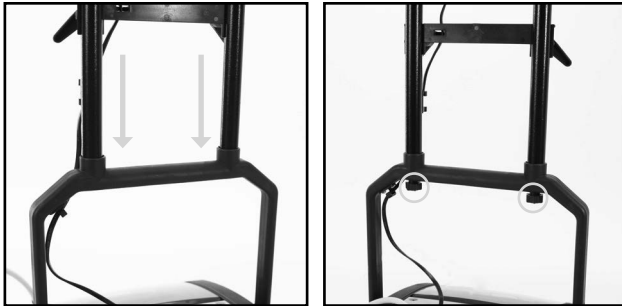


Fig. 1

Fig. 2



Fig. 3

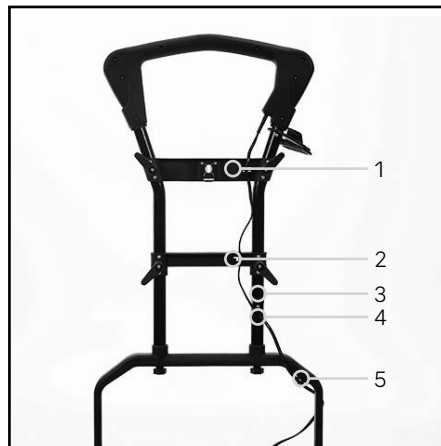


Fig. 4

## ASSEMBLY

5. Plug the end of the pump control cable into the socket in the handle assembly. This plug is not polarity sensitive and will fit into the handle either way. Ensure there is enough slack at the bottom of the cable so that the pump housing lid is not raised when the handle is moved to the working position. (Fig. 5)
6. Feed the loop of the power cord through the slot in the power cord retainer. (Fig. 6)
7. Hook the loop over the lip of the retainer and pull any slack back through the slot. Wrap cord around 4 cord hooks on the back of the machine. (Fig. 7)



Fig. 5



Fig. 6



Fig. 7

- Place the lip of the solution tank on the handle bracket and rotate it up so that the solution tank pin engages the solution tank pin retainer. (Fig. 8)



Fig. 8



Fig. 9

- Pressing the white tab on the connector will release the elbow connector from the tank. (Fig. 9)

- Attach the hose barb end of the black elbow connector to the hose coming from the pump housing. Attach the other end of the elbow to the tank by pushing the elbow into the connection until it "clicks" and locks in. (Fig. 10)



Fig. 10

- Attach one end of the power cable to the unit and the other to a wall outlet. (Fig. 11 & 12)

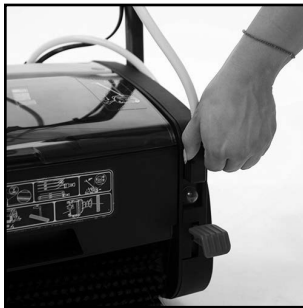


Fig. 11



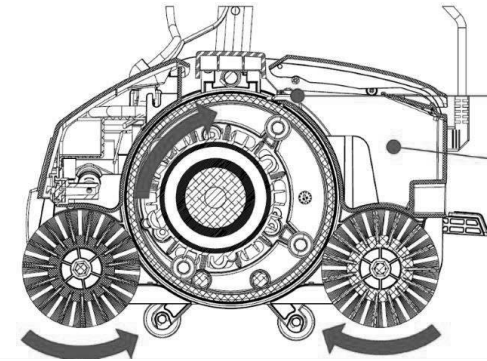
Fig. 12

## How it works:

Cleaning liquid in the solution tank is sprayed onto the floor.

The counter rotating brushes scrub the floor and throw the dirty water on the conveyor drum. The front brush does most of the scrubbing and drying. The rear brush completes the scrubbing and collects the remaining water from the floor.

The blade fitted to the recovery tank wipes the drum and collects the dirty water.



## BRUSH CONTROLS



The handle must be in the upright and locked position to change the transport / work lever.

To put machine in **TRANSPORT MODE**, move red lever to the **DOWN** position. In this mode, the transport wheels contact the floor when the handle is moved to the working position.

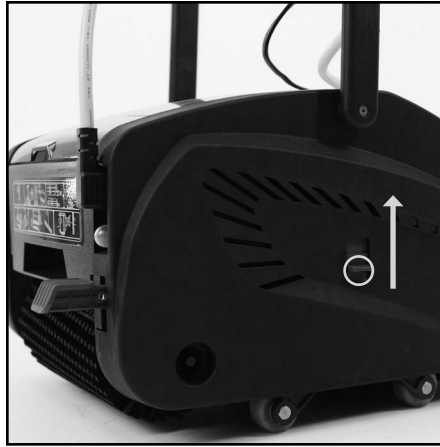
**Note: The machine will NOT turn on when in this mode.**





## Brush Controls:

Move the slider all the way **UP** to put the machine in **WORKING MODE**. In this mode, the brushes contact the floor when the handle is moved to the working position.



Keeping slider in the UP, working position while transporting the machine **WILL** damage the brushes.

Always transport in **TRANSPORT MODE**.

## Solution Control:

By pushing the red solution button, the cleaning solution is sprayed onto the floor from the front of the machine. The solution stops once the solution control button is released.



## Brush Contact Control:

Brush contact control is adjustable in 4 steps in order to compensate for brush wear and control scrubbing effect. Contact is **MINIMUM** when the knob is fully down and **MAXIMUM** when fully raised. If the machine does not move when the handle is lowered, slide the brush contact control slider up one step.



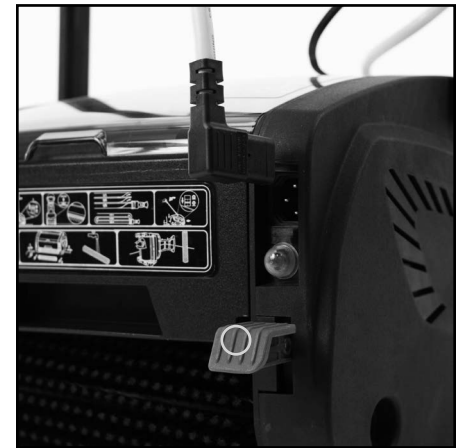
## Circuit Breaker:

In the event of circuit overload due to improper power supply or unexpected obstruction to the brush/drum rotation, the circuit breaker trips and protects the motor from damage. If this happens, **UNPLUG THE UNIT**, identify the cause, correct it, and reset the breaker after a minimum of 1 minute from tripping by pressing the circuit breaker button manually and continue working as normal. If no obstruction can be found, consult a qualified electrician as the source circuit could be potentially problematic.



## On / Off Control:

To start the motor, depress the red pedal with your foot and pull handle back. The brushes and the drum will begin to rotate. Release the red foot pedal in this position and pull handle towards you in order to engage rotating brushes onto the floor. To stop operation, return the handle to the upright and locked position.



## OPERATION



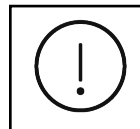
Prior to machine operation, pre-sweep floor to remove debris before using the unit.

1. Fill the freshwater tank with cleaning solution at a maximum temperature of 104°F (40°C). Add cleaning solution per manufacturer's recommendations.
2. Press the red foot pedal lightly with your foot and pull handle back to start the motor. The brushes and the drum will begin to rotate. Pulling the handle towards you **WITHOUT** pressing the pedal lowers the machine and engages the rotating brushes with the floor. To stop working, return the handle to the upright and locked position.



## OPERATION

3. Move forward while sparingly pushing the solution control button. This button should only be pushed intermittently based on the floor type and amount of soil on the floor. For tiled or stone floors apply very little solution. Release the solution control button to stop the solution discharge approximately 12 inches before end of forward motion. Continue to move forward up to the wall without pressing button.
4. Pull the machine backwards in the same track **WITHOUT** discharging any solution. When you reach the starting point, change the track and repeat the steps above. When you are changing the track, allow some overlap with the cleaned area to ensure complete coverage. In case of large halls, make a U-turn while moving forward. If quick drying is required, move on the same track without discharging solution.



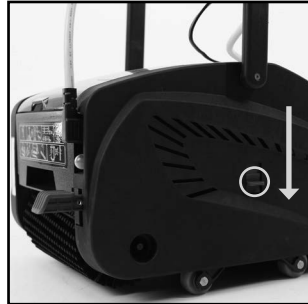
Should the machine fail to operate, please refer to the troubleshooting section in the back of this instruction manual. If the problem/remedy is not listed, please contact the Tornado Technical Service Department

# CLEANING



Prior to cleaning, ensure unit is OFF and disconnected from power supply.

1. When floor cleaning operation is complete, return handle to upright and locked position and unplug the power cord. Wrap the power cord around the hooks on the handle.
2. Move the transport lever to the **DOWN** position to remove brushes from floor.
3. Lift the recovery tank lid and remove recovery tank. Empty tank and rinse completely with clean water. Clean steel wiper blade prior to re-inserting recovery tank.



# CLEANING



Avoid touching the sharp edges of the dirty water tank as injury to hands can occur.

4. To prevent possible clogging of the solution lines, empty any unused solution from the tank, lines and filter and flush completely with clean water. Store dry.
5. Release brushes by removing brush shafts held in by quick release retaining balls.



6. Remove brushes and wash them either by dipping in a bucket/sink or in running water.



Dispose of dirty water in accordance with all local, state, and federal hazardous material disposal regulations.

## CLEANING

7. Turn machine on its side and wipe clean the rubberized drum and machine body with clean, damp cloth.
8. Re-install the brushes after washing. It is easier to push the brush shaft in from the right-hand side of the machine (side of electrical cable and foot pedal).
9. The purpose of the small multi-colored plastic plugs is to provide a method of brush identification to be used in different areas. Additionally, this helps the operator easily identify the brushes in order to avoid cross contamination.



## TRANSPORT AND STORAGE

### Transport:

Take extreme care when moving the machine up or down steps or stairs.

Incorrect lifting techniques may result in personal injury.

As stated earlier in this manual, this machine is heavy. Do not attempt to lift the machine without assistance.

Carefully wrap the power cord and store in a dry, indoor location.

**DO NOT** expose the machine to rain or moisture.

When transporting the machine, ensure that all components, tanks and removable parts are securely fastened and that the power cord and plug are not trailing.

**DO NOT** lift or transport the machine while it contains liquid as this will add considerable weight to the unit.

When transporting the machine, the handle should be locked in the upright position.

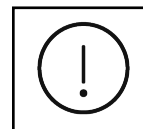
### Storage:

Always store the machine with the handle in the vertical position which will turn the machine OFF.

Wrap the power cord around the power cord wrap hooks ensuring that the plug is not trailing on the floor.

Always unplug, empty, wipe down and dry the machine after use.

Both the solution and recovery tanks should be emptied and flushed out with clean water to ensure the seals and pumps are free from any cleaning detergents.



Store machine in a dry indoor area only.



Prior to performing any maintenance, ensure unit is OFF and disconnected from power supply.

### Recommended operator checks prior to use:

1. BODY OF MACHINE – Wipe down with a clean, damp cloth.
2. POWER CORD – Regularly inspect sheath, plug, and cord anchorage for damage or loose connection. Only replace power cord with OEM specified replacement part.
3. BRUSHES – For maximum life, wash the brushes regularly. Ensure machine is in TRANSPORT MODE when not in use. Store additional brushes in a vertical position to avoid bending of bristles. Check for permanent bending of bristles in a particular direction. This may occur if the machine is not operated for several days without removing the brushes which is not recommended. If this occurs, reverse the brush so that the bent bristles can flex back to original position.
4. WIPER BLADE – After an extended period of use, the wiper blade may wear. If this occurs, the water collection performance will decrease and should be replaced by an authorized service center.
5. SOLUTION FEED FILTER – The filter prevents clogging of the pump and spray nozzle and should be periodically cleaned.
6. NOZZLE MAINTENANCE – If the spray of the nozzle becomes blocked, slide the nozzle cover off and remove the nozzle. Wash the nozzle in clean water ensuring that the nozzle is clear prior to refitting.



Besides those outlined above, all additional servicing and repairs should only be performed by an Authorized Tornado Servicing Agent.



Do not use side brush in a room without mop boards. Walls will get dirty.



The side brush can be used to clean corners near the walls. UNPLUG MACHINE PRIOR TO SIDE BRUSH INSTALLATION.

### Side Brush Installation:

1. Remove the front brush and brush shaft.
2. Fix the shield assembly on the side plate.
3. Insert the side brush shaft through the shield and main brush.

### Side Brush Use:

1. Tilt the machine at an angle that will allow the rear brush to collect the dirty water.
2. Use side brush only for washing edges and corners of floor.



# FAULT DIAGNOSIS



Do not use side brush in a room without mop boards. Walls will get dirty.

TROUBLE	REASON	REMEDY
Machine fails to start	Transport Slider is in DOWN position.	Move Transport Slider to the working (UP) position.
	Circuit breaker has tripped.	Remove any obstruction to the brush/drum. Wait 1 minute and reset the circuit breaker.
	Transport wheels not raising off of the ground when handle lowered.	Check for debris and clean machine.
	Lack of voltage / electrical supply.	Check power cord, plug, and socket outlet.
Machine fails to pick up water from the floor.	Incorrectly fitted / damaged recovery tank.	Refit or replace recovery tank.
	Worn brushes.	Check brush pressure. Replace brushes if needed.
	Drum not rotating.	See below.
Drum not rotating.	Debris around drum or base of machine.	Clean drum and base of machine.
Drum is rotating, but brushes are not.	Debris around brushes.	Clean drum and base of the machine.
Machine fails to spray solution onto the floor.	Faulty pump.	If there is no noise present from the pump, check that the pump cable is fitted correctly.
	Improper water hose connection.	Check the quick lock connector for proper fitting.
	Solution tank empty.	Fill solution tank.
	Clogged jet.	Clean jet.
Blocked filter or faulty valve in solution tank.	Clean / replace filter or valve.	
Motor makes a humming noise but does not turn.	Debris around drum and base of machine.	Clean drum and base of machine.



Tornado Industries, LLC  
 3101 Wichita Court  
 Ft. Worth, TX 76140-1755  
 Phone: 800-VACUUMS  
 Fax: 1-817-551-0719  
 WWW.TORNADOVAC.COM



### Record of Purchase

Serial Number: \_\_\_\_\_  
 Purchase Date: \_\_\_\_\_  
 Dealer: \_\_\_\_\_  
 Phone Number: \_\_\_\_\_



N.º de modelo TS050-W13-U

### Pasos iniciales

Introducción .....	30
Garantía .....	31
Instrucciones de conexión a tierra .....	32
Importantes instrucciones de seguridad .....	33-34
Agentes de limpieza .....	35
Especificaciones técnicas .....	36
Selección de los cepillos .....	37

### Instrucciones de operación

Características clave .....	38
Montaje .....	39-41
Controles .....	42-44
Operación .....	45-46
Limpieza .....	47-49
Transporte y almacenamiento .....	50
Mantenimiento .....	51
Accesorios .....	52
Diagnóstico de fallas .....	53

# INTRODUCCIÓN

Su nueva unidad Tornado es un producto de alta calidad fabricado con precisión. Todas las piezas utilizadas en la fabricación de esta unidad han pasado estrictos estándares de control de calidad antes del montaje. Conserve el recibo o la factura original entregados al momento de la compra. Si experimenta algún problema con su unidad durante la vigencia de la garantía, el recibo o factura original actuará como prueba de compra.

**Al recibir la unidad, inspeccione la caja exterior en busca de daños exteriores. Desembale todas las piezas internas y asegúrese de que no presenten daños ocultos.**

Cada unidad se prueba e inspecciona minuciosamente antes del envío. Si descubre daños, notifique inmediatamente a la empresa de transporte que entregó su máquina y solicite una inspección. Como fabricante, no podemos responder a ningún reclamo por vicios ocultos y usted debe iniciar el reclamo. Asegúrese de guardar la caja de cartón, los folletos y el recibo del transportista hasta que el inspector haya verificado su reclamo.



## Proteja el medioambiente

Deseche los materiales de embalaje de forma segura para el medio ambiente de acuerdo con las normas locales sobre la eliminación de residuos.



Recuerde siempre reciclar.

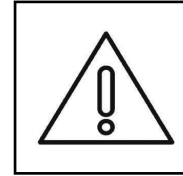


## Garantía

Dentro de los 30 días posteriores a la compra, para activar la garantía del producto, visite:

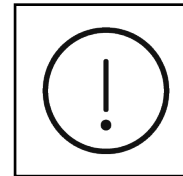
<https://tornadovac.com/services/warranty-registration-form.aspx>

Para obtener información sobre la garantía, visite [www.tornadovac.com](http://www.tornadovac.com).



## Etiquetas de advertencia

Antes de operar la unidad, lea y comprenda completamente este manual del propietario, prestando especial atención a las etiquetas de advertencia. Estas etiquetas indican una situación potencialmente peligrosa que podría provocar la muerte o lesiones graves si no se evita. Use solo como se describe en este manual.



## Importante

No hay ninguna pieza reparable por el propietario dentro de esta máquina. La extracción de tornillos y el acceso a los componentes internos anularán todos los reclamos de garantía.



## INSTRUCCIONES DE CONEXIÓN A TIERRA

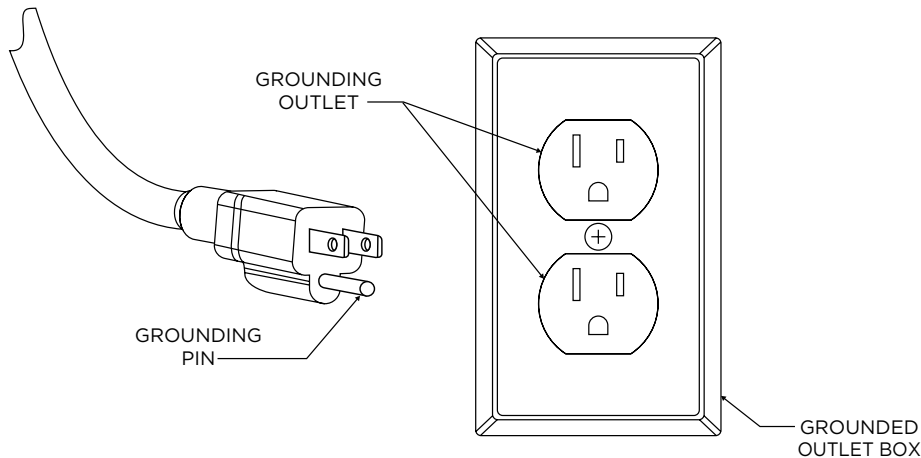
Este aparato debe estar conectado a tierra. En caso de mal funcionamiento eléctrico, la conexión a tierra proporciona una vía de menor resistencia para la corriente, reduciendo así el riesgo de descarga eléctrica. Esta máquina está equipada con un cable que tiene un conductor de conexión a tierra del equipo y un enchufe de conexión a tierra. El enchufe debe insertarse en una toma de corriente apropiada que esté correctamente instalada y conectada a tierra de acuerdo con todos los códigos y ordenanzas locales.



La conexión incorrecta del conductor de conexión a tierra del equipo puede resultar en un riesgo de descarga eléctrica. Consulte con un electricista calificado o personal de servicio si tiene dudas sobre si el tomacorriente está conectado a tierra correctamente. No modifique el enchufe provisto con el artefacto. Si el enchufe no encaja en el tomacorriente, haga que un electricista calificado instale el tomacorriente adecuado.

**NO quite la clavija de conexión a tierra por ninguna razón.**

Este aparato es para uso en un circuito nominal de 115 voltios y tiene un enchufe con conexión a tierra que se parece al ilustrado a continuación.



## IMPORTANTES INSTRUCCIONES DE SEGURIDAD

Lea y comprenda este manual del propietario y todas las etiquetas de la unidad antes de utilizarla. La seguridad es una combinación de sentido común, mantenerse alerta y saber cómo funciona su unidad. Para reducir el riesgo de lesiones personales o daños a su unidad, utilícela únicamente como se indica en este manual.



### PARA USO COMERCIAL ÚNICAMENTE

Para reducir el riesgo de incendio, descarga eléctrica o lesiones, debe leer y comprender las siguientes instrucciones por completo antes de operar la máquina

**IMPORTANTE:** El fabricante no se hace responsable de los daños causados cuando el aparato no se utiliza de acuerdo con las instrucciones, o para usos distintos de aquellos para los que fue diseñado.

### ADVERTENCIA:

- Esta máquina solo debe utilizarse para la aplicación aprobada por el fabricante como se describe en este manual.
- La máquina debe ser desmontada y ensamblada de acuerdo con estas instrucciones antes de conectarla al suministro eléctrico.
- Se deben utilizar únicamente los accesorios y las piezas de repuesto originales suministrados con la máquina o aprobados por el fabricante. El uso de otros accesorios puede perjudicar la seguridad de la máquina. Todas las reparaciones deben ser realizadas por un agente de servicio calificado.
- NO modifique el diseño original de la máquina.
- Los operadores deben estar plenamente formados en el uso de la máquina de acuerdo con estas instrucciones y ser capaces de realizar el mantenimiento regular del usuario como se describe en este manual.
- Los operadores deben ser físicamente capaces de maniobrar, transportar y manejar la máquina.
- Los operadores deben ser capaces de reconocer el funcionamiento inusual de la máquina e informar de cualquier problema.
- Esta máquina no está destinada a ser utilizada por personas (incluidos los niños) con capacidades físicas, sensoriales o mentales reducidas, o con falta de experiencia y conocimientos, a menos que hayan recibido instrucciones sobre el uso de la máquina o se encuentren bajo la supervisión de una persona responsable de su seguridad.
- Mantenga a los niños y a las personas no autorizadas lejos de la máquina cuando esté en uso. NO utilice la máquina como un juguete.
- NO la utilice con un cable o enchufe dañado. Si se ha dañado, ha sido dejada al aire libre o se ha caído al agua, devuélvala a un centro de servicio para su inspección o reparación.
- NO la utilice donde haya polvo peligroso.
- NO la utilice en un ambiente con riesgo de explosión.
- NO la recoja ni la utilice cerca de líquidos inflamables o combustibles, polvos o vapores peligrosos.
- PRECAUCIÓN: si se sospecha de la presencia de polvo peligroso o materiales inflamables/corrosivos, deje de limpiar la zona inmediatamente y consulte a su superior.
- NO la use para limpiar materiales quemados

## GUARDE ESTAS INSTRUCCIONES

# IMPORTANTES INSTRUCCIONES DE SEGURIDAD

o encendidos, como cigarrillos, fósforos, cenizas u otros objetos combustibles.

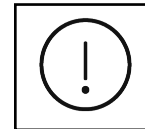
- Utilice la máquina solo en superficies firmes y niveladas. NO utilice la máquina en pendientes de más del 2 %.
- **PRECAUCIÓN:** esta máquina es para uso en interiores en seco únicamente y no debe ser utilizada o almacenada al aire libre o en condiciones de humedad. Protéjala de la lluvia.
- Tenga cuidado al usar esta máquina cerca de la parte superior de las escaleras para evitar la pérdida del equilibrio.
- NO cubra la máquina cuando esté en uso.
- NO haga funcionar la máquina en seco ya que esto podría dañar la superficie del piso o la máquina misma.
- NO deje la máquina en funcionamiento sin vigilancia.
- Mantenga el cabello, la ropa holgada, las manos, los pies y todas las demás partes del cuerpo alejados de las aberturas y las partes móviles. No coloque las manos debajo de la base ya que las piezas giratorias pueden causar lesiones.
- NO introduzca ningún objeto en las aberturas. NO lo use con ninguna abertura bloqueada. Manténgala libre de polvo, suciedad y cualquier cosa que pueda reducir el flujo de aire.
- NO use solventes volátiles o combustibles (por ejemplo, diésel, gasolina, PA, triclorometano) ni ninguna sustancia corrosiva, tóxica o altamente irritante para lavar los pisos, incluso si está diluida. En caso de contacto accidental con cualquiera de estas sustancias (p. ej., debido a derrames), siga los procedimientos de descontaminación vigentes en el lugar del usuario. Si tiene alguna duda sobre el estado de la máquina, comuníquese con Tornado o con el distribuidor/agente que suministró la máquina.
- NO deje la máquina sin vigilancia cuando esté

enchufada. Desenchúfela del tomacorriente cuando no esté en uso y antes de cambiar los cepillos o intentar cualquier mantenimiento o ajuste.

- NO llene la máquina con agua a más de 40 °C (104 °F).
- Cuando sea utilizada en escaleras mecánicas, asegúrese de que la máquina esté colocada en la parte inferior de la escalera mecánica con la escalera mecánica moviéndose hacia el operador.
- NO tire del cable ni lo transporte, ni utilice el cable como una manija, ni cierre una puerta con el cable, ni tire del cable alrededor de bordes o esquinas afilados.
- NO haga funcionar la máquina sobre el cable. Mantenga el cable alejado de superficies calientes.
- NO desenchufe tirando del cable. Para desenchufar, tire del enchufe, no del cable. No manipule el enchufe ni la máquina con las manos mojadas. Apague todos los controles antes de desenchufar.
- Conéctelo únicamente a un tomacorriente correctamente conectado a tierra. Consulte las instrucciones de conexión a tierra.
- Procure evitar que el cable de suministro eléctrico entre en contacto con las piezas móviles, como los cepillos para pisos.
- Asegúrese de que el voltaje y la frecuencia en el receptáculo de la pared correspondan con los indicados en la placa de identificación antes de enchufar la máquina.
- La máquina debe mantenerse limpia y en buenas condiciones con inspecciones periódicas del cable de alimentación y el enchufe para detectar signos de daños. Si las piezas están dañadas, sólo deben ser sustituidas por una pieza aprobada por el fabricante, su agente de servicio o una persona calificada similar para evitar un peligro.
- Solo reemplace el cable de alimentación con equipo OEM original.

## AGENTES DE LIMPIEZA

- Al usar agentes de limpieza y cuidado, se deben seguir las advertencias de peligro del fabricante y se debe usar el EPP adecuado según las instrucciones del fabricante.
- Utilice únicamente agentes de limpieza no combustibles y poco espumosos que NO contengan sustancias nocivas para la salud en general.
- Asegúrese de enjuagar con agua limpia cualquier residuo químico que quede después de cada uso.



El fabricante no se hace responsable de los daños causados cuando el aparato no es utilizado de acuerdo con las instrucciones proporcionadas, o es utilizado para usos distintos de aquellos para los que fue diseñado.

## DIRECTRICES DEL OPERADOR

Deje que la máquina haga el trabajo. Sujete la manija lo más suavemente posible.

- Utilice un calzado adecuado para evitar resbalones.
- Lleve ropa adecuada para mantenerse seco.
- No fume cuando utilice la máquina.
- No utilice soluciones de limpieza excesivamente espumosas o altamente corrosivas. Si opera la máquina en un piso inundado, asegúrese de que la profundidad del agua no exceda los 6 mm (1/4 de pulgada).



Esta máquina es pesada. No intente levantar la máquina sin ayuda. Las técnicas de elevación incorrectas pueden provocar lesiones personales.

## GUARDE ESTAS INSTRUCCIONES

## TECHNICAL SPECIFICATIONS

Especificación	Valor
Voltaje	115
hercios	60
limpieza	13 in / 340 mm
Altura de la manija	44 in / 1110 mm
Ancho	18 in / 450 mm
Longitud	15 in / 390 mm
Potencia del motor	950 Watts
Amperaje	8.2
Velocidad del cepillo	670 RPM
Capacidad del depósito de solución	1 Gallon / 4 Liters
Capacidad de limpieza	3767 ft <sup>2</sup> /hr. / 350 m <sup>2</sup> /hr.
Nivel de ruido	69 db(A)

La vibración de la manija no supera los 2,5 m/s<sup>2</sup> cuando se utiliza sobre una superficie lisa y dura.

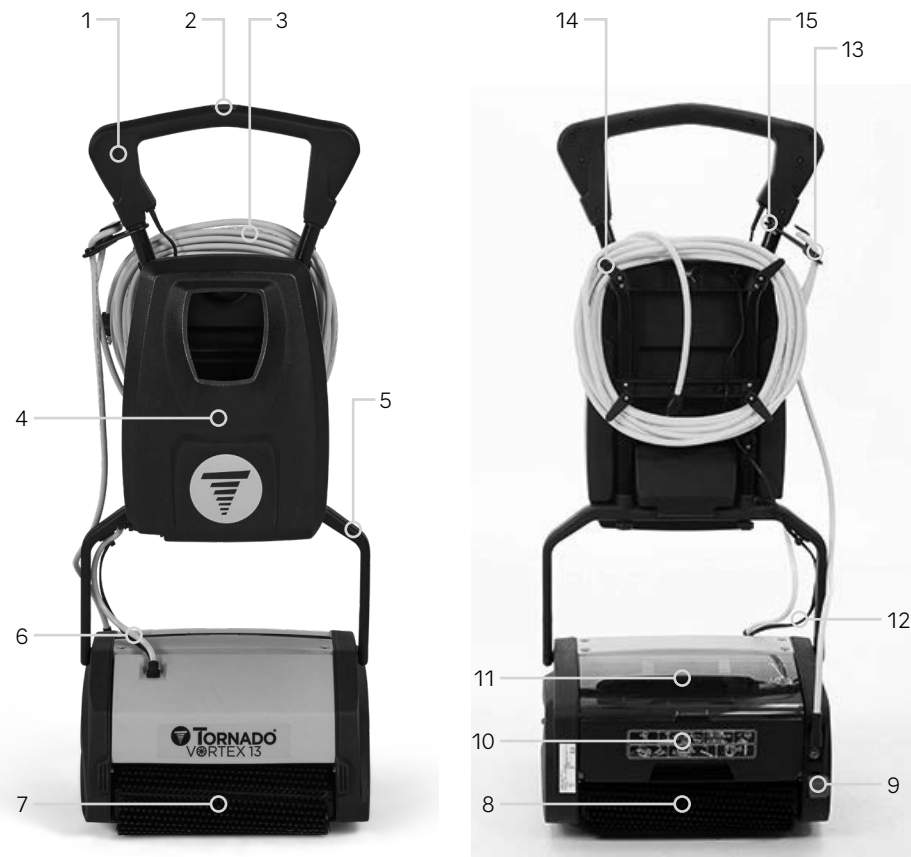
- Niveles de ruido medidos a una distancia de 3,28 pies (1 metro) de la máquina y 5,25 pies (1,6 metros) por encima del piso al lavar un piso duro.
- Los valores anteriores son aproximados. Dado que la política de la empresa es mejorar continuamente el producto, podría haber cambios sin previo aviso.
- La Capacidad de limpieza anterior es teórica, ya que existen potencialmente muchas variaciones en el funcionamiento de la máquina.

## SELECCIÓN DEL CEPILLO

Tipo de piso	Limpieza por primera vez	Limpieza de mantenimiento
Baldosa con lechada de cemento, cerámica, mosaico, madera, pisos deportivos, goma, baldosa de vinilo	Estándar	Suave
Alfombra de pelo corto	Carpet (alfombra)	Carpet (alfombra)
Mármol, granito, laja	Suave	Suave
Concreto liso	Duro	Estándar
Otros	Para adaptarse a las condiciones individuales del suelo	

Tipo de cepillo	Número de pieza
Estándar	93120
Suave	93121
Duro	93122
Escalera mecánica	33859
Lateral	93049

## CARACTERÍSTICAS CLAVE



Artículo	Descripción
1	Manija
2	Botón de control de la solución
3	Cable de alimentación
4	Depósito de solución
5	Soporte de la manija
6	Manguera de solución
7	Cepillo frontal
8	Cepillo Trasero

Artículo	Descripción
9	Pedal de liberación de la manija
10	Depósito de agua sucia
11	Tapa del depósito de agua sucia
12	Ubicación de la ruta del cable de control de la bomba
13	Retenedor del cable de alimentación
14	Ganchos para enrollar el cable de alimentación
15	Cable

## MONTAJE

1. Inserte el conjunto de la manija en el soporte de la manija. (Fig. 1)
2. Usando la perilla, la arandela de estrella y la arandela plana, sujete la manija al soporte de la manija. (Fig. 2)
3. Asegúrese de que la clavija del depósito de solución en la manija esté apuntando hacia la parte delantera de la unidad y que los ganchos para enrollar el cable estén apuntando hacia la parte trasera. (Fig. 3)
4. Pase el cable de control de la bomba por las (5) ubicaciones que se muestran en el soporte de la manija y en la manija. (Fig. 4)

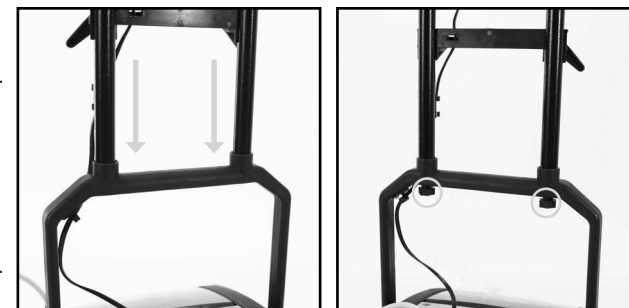


Fig. 1

Fig. 2



Fig. 3



Fig. 4

5. Enchufe el extremo del cable de control de la bomba en el enchufe del conjunto de la manija. Este enchufe no es sensible a la polaridad y encajará en la manija de cualquier manera. Asegúrese de que haya suficiente holgura en la parte inferior del cable para que la cubierta de la carcasa de la bomba no se levante cuando la manija se mueva a la posición de trabajo. (Fig. 5)
6. Pase el lazo del cable de alimentación a través de la ranura en el retenedor del cable de alimentación. (Fig. 6)
7. Enganche el lazo sobre el reborde del retenedor y tire del cable a través de la ranura para que no quede flojo. Enrolle el cable alrededor de los 4 ganchos para cable en la parte posterior de la máquina. (Fig. 7)



Fig. 5



Fig. 6



Fig. 7

8. Coloque el borde del depósito de solución en el soporte de la manija y gírelo hacia arriba para que la clavija del depósito de solución se enganche en el sujetador de la clavija del depósito de solución. (Fig. 8)



Fig. 8



Fig. 9

9. Al presionar la lengüeta blanca del conector, se liberará el conector codo del depósito. (Fig. 9)
10. Conecte el extremo de la espiga para manguera del conector codo negro a la manguera que sale de la carcasa de la bomba. Conecte el otro extremo del codo al depósito empujando el codo en la conexión hasta que haga "clic" y se trabe. (Fig. 10)
11. Conecte un extremo del cable de alimentación a la unidad y el otro a un tomacorriente de pared. (Fig. 11 y 12)



Fig. 10



Fig. 11



Fig. 12

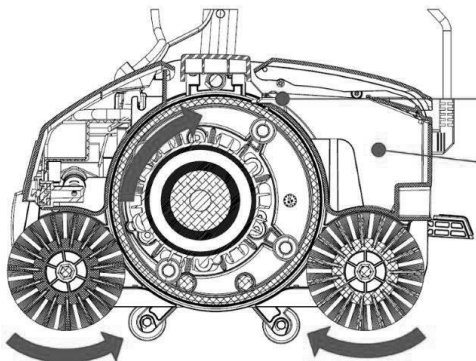
## CONTROLES

### Cómo funciona:

El líquido de limpieza del depósito de solución se rocía sobre el suelo.

Los cepillos de rotación inversa friegan el suelo y arrojan el agua sucia al tambor transportador. El cepillo frontal hace la mayor parte del fregado y secado. El cepillo trasero completa el fregado y recoge el agua restante del suelo.

La pala montada en el tanque de recuperación limpia el tambor y recoge el agua sucia.



## CONTROLES DE LOS CEPILLOS



La manija debe estar en posición vertical y bloqueada para cambiar la palanca entre los modos transporte/trabajo.

Para poner la máquina en **MODO DE TRANSPORTE**, lleve la palanca roja a la posición **ABAJO**. En este modo, las ruedas de transporte hacen contacto con el suelo cuando se mueve la manija a la posición de trabajo.

**Nota:** La máquina **NO** se encenderá cuando esté en este modo.



## CONTROLES

### Controles de los cepillos:

Mueva el control deslizante completamente hacia **ARRIBA** para poner la máquina en **MODO DE TRABAJO**. En este modo, los cepillos entran en contacto con el suelo cuando la manija se mueve a la posición de trabajo.



Si mantiene el control deslizante en la posición de trabajo hacia **ARRIBA** mientras transporta la máquina, los cepillos **SE DAÑARÁN**.

Transporte siempre en **MODO TRANSPORTE**.

### Control de la solución:

Al presionar el botón rojo de la solución, la solución de limpieza se rocía sobre el piso desde la parte frontal de la máquina. La solución se detiene una vez que se suelta el botón de control de la solución.



### Control de contacto de los cepillos:

El control de contacto de los cepillos se puede ajustar en 4 pasos para compensar el desgaste del cepillo y controlar el efecto de fregado. El contacto es **MÍNIMO** cuando la perilla está completamente hacia abajo y **MÁXIMO** cuando está completamente levantada. Si la máquina no se mueve cuando se baja la manija, deslice el control deslizante de contacto de los cepillos hacia arriba una posición.



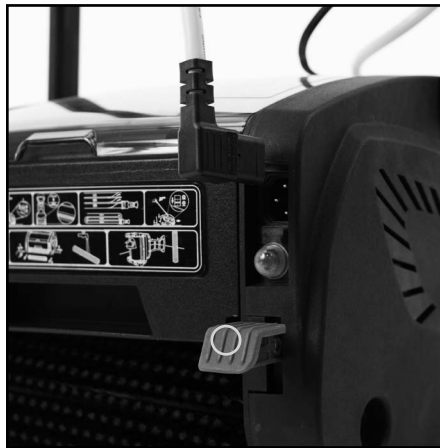
## Disyuntor:

En caso de sobrecarga del circuito debido a un suministro de energía inadecuado o una obstrucción inesperada en la rotación del cepillo/tambor, el disyuntor se activa y protege el motor de daños. Si esto sucede, **DESENCHUFE LA UNIDAD**, identifique la causa, corríjala y reinicie el disyuntor después de como mínimo 1 minuto desde que se activó presionando el botón del disyuntor manualmente y continúe trabajando normalmente. Si no se encuentra ninguna obstrucción, consulte a un electricista calificado, ya que el circuito fuente podría ser potencialmente problemático.



## Control de Encendido/Apagado:

Para encender el motor, presione el pedal rojo con el pie y tire de la manija hacia atrás. Los cepillos y el tambor comenzarán a girar. Suelte el pedal rojo en esta posición y tire de la manija hacia usted para que los cepillos giratorios hagan contacto con el suelo. Para detener la operación, regrese la manija a la posición vertical y bloqueada.



Antes de operar la máquina, barra previamente el piso para eliminar los residuos antes de usar la unidad.

1. Llene el depósito de agua dulce con una solución de limpieza a una temperatura máxima de 40 °C (104 °F). Agregue solución de limpieza según las recomendaciones del fabricante.
2. Presione levemente el pedal rojo con el pie y tire el mango hacia atrás para encender el motor. Los cepillos y el tambor comenzarán a girar. Al tirar de la manija hacia usted SIN pisar el pedal, la máquina baja y hace que los cepillos giratorios entren en contacto con el suelo. Para que los cepillos dejen de trabajar, regrese la manija a la posición vertical y bloqueada.



- Avance mientras presiona con moderación el botón de control de la solución. Este botón solo debe presionarse de manera intermitente según el tipo de piso y la cantidad de tierra en el piso. Para suelos de baldosas o piedra aplicar muy poca solución. Suelte el botón de control de la solución para detener la descarga de la solución aproximadamente 12 pulgadas antes del final del movimiento hacia adelante. Continúe avanzando hasta la pared sin presionar el botón.
- Tire de la máquina hacia atrás en el mismo trayecto **SIN** descargar nada de solución. Cuando llegue al punto de partida, cambie el trayecto y repita los pasos anteriores. Cuando cambie el recorrido, permita una superposición con el área limpiada para asegurar una cobertura completa. En el caso de pasillos grandes, dé una vuelta en U mientras avanza. Si se requiere un secado rápido, muévase en el mismo trayecto sin descargar la solución.

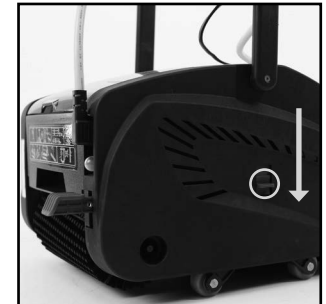


Si la máquina no funciona, consulte la sección de solución de problemas en la parte posterior de este manual de instrucciones. Si el problema/solución no se encuentra en la lista, comuníquese con el Departamento de Servicio Técnico de Tornado



Antes de la limpieza, asegúrese de que la unidad esté **APAGADA** y desconectada de la fuente de alimentación.

- Cuando se complete la operación de limpieza del piso, regrese la manija a la posición vertical y bloqueada y desenchufe el cable de alimentación. Enrolle el cable de alimentación alrededor de los ganchos en la manija.
- Mueva la palanca de transporte hasta la posición **ABAJO** para levantar los cepillos del piso.
- Levante la tapa del tanque de recuperación y retire el tanque de recuperación. Vacíe el tanque y enjuáguelo completamente con agua limpia. Limpie la pala limpiadora de acero antes de volver a insertar el tanque de recuperación.







Evite tocar los bordes filosos del depósito de agua sucia, ya que podría lesionarse las manos.

- Para evitar una posible obstrucción de los conductos de solución, vacíe la solución no utilizada del tanque, los conductos y el filtro y enjuague completamente con agua limpia. Guarde el equipo una vez seco.



- Libere los cepillos quitando los ejes de los cepillos sujetos por bolas de retención de liberación rápida.

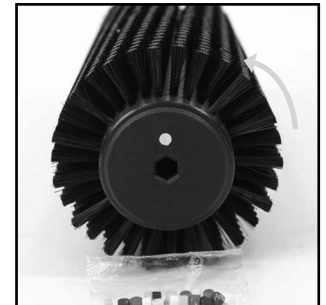


- Retire los cepillos y lávelos sumergiéndolos en un balde/fregadero o en agua corriente.



Deseche el agua sucia de acuerdo con todas las normas locales, estatales y federales de eliminación de materiales peligrosos.

- Coloque la máquina sobre su costado y limpie el tambor de goma y el cuerpo de la máquina con un paño limpio y húmedo.
- Vuelva a instalar los cepillos después del lavado. Es más fácil empujar el eje del cepillo desde el lado derecho de la máquina (lado del cable eléctrico y el pedal).
- El propósito de los pequeños tapones de plástico de varios colores es proporcionar un método de identificación de los cepillos para utilizar en diferentes áreas. Además, esto ayuda al operador a identificar fácilmente los cepillos para evitar la contaminación cruzada.



### Transporte:

Tenga mucho cuidado cuando suba o baje la máquina por escalones o escaleras.

Las técnicas de elevación incorrectas pueden provocar lesiones personales.

Como se indicó anteriormente en este manual, esta máquina es pesada. No intente levantar la máquina sin ayuda.

Envuelva con cuidado el cable de alimentación y guárdelo en un lugar interior seco.

**NO** esponga la máquina a la lluvia ni a la humedad.

Al transportar la máquina, asegúrese de que todos los componentes, los depósitos y las piezas desmontables estén bien sujetos, y de que el cable de alimentación y el enchufe no se arrastren.

**NO** levante o transporte la máquina mientras contenga líquido, ya que esto agregará un peso considerable a la unidad.

Al transportar la máquina, la manija debe estar bloqueada en posición vertical.

### Almacenamiento:

Guarde siempre la máquina con la manija en posición vertical, lo que la APAGARÁ.

Enrolle el cable de alimentación alrededor de los ganchos para enrollar el cable de alimentación asegurándose de que el enchufe no se arrastre por el suelo.

Siempre desenchufe, vacíe, limpie y seque la máquina después de cada uso.

Tanto los depósitos de solución como los de recuperación deben vaciarse y enjuagarse con agua limpia para asegurarse de que los sellos y las bombas queden libres de detergentes de limpieza.



Guarde la máquina únicamente en un área bajo techo seca.



Antes de realizar cualquier mantenimiento, asegúrese de que la unidad esté APAGADA y desconectada de la fuente de alimentación.

### Comprobaciones recomendadas por el operador antes del uso:

1. CUERPO DE LA MÁQUINA: limpie con un paño limpio y húmedo.
2. CABLE DE ALIMENTACIÓN: inspeccione periódicamente la funda, el enchufe y el anclaje del cable para detectar daños o conexiones sueltas. Solo reemplace el cable de alimentación con una pieza de repuesto especificada por el OEM.
3. CEPILLOS: para una vida útil máxima, lave los cepillos con regularidad. Asegúrese de que la máquina esté en MODO DE TRANSPORTE cuando no esté en uso. Guarde los cepillos adicionales en posición vertical para evitar que las cerdas se doblen. Verifique que las cerdas se doblen permanentemente en una dirección particular. Esto puede ocurrir si la máquina no se utiliza durante varios días sin quitar los cepillos, lo que no se recomienda. Si esto ocurre, invierta el cepillo para que las cerdas dobladas puedan volver a su posición original.
4. Pala limpiadora: después de un período prolongado de uso, la pala limpiadora puede desgastarse. Si esto ocurre, el rendimiento de la recolección de agua disminuirá y la pala deberá ser reemplazada en un centro de servicio autorizado.
5. FILTRO DE SUMINISTRO DE LA SOLUCIÓN: el filtro evita la obstrucción de la bomba y la boquilla rociadora y debe limpiarse periódicamente.
6. MANTENIMIENTO DE LA BOQUILLA: si el rociador de la boquilla se traba, deslice la cubierta de la boquilla y retírela. Lave la boquilla con agua limpia asegurándose de que esté limpia antes de volver a colocarla.



Además de los descritos anteriormente, todos los servicios y reparaciones adicionales solo deben ser realizados por un agente de servicio Tornado autorizado.



No use el cepillo lateral en una habitación sin zócalos. Las paredes se ensuciarán.



El cepillo lateral se puede utilizar para limpiar esquinas cerca de las paredes. **DESENCHUFE LA MÁQUINA ANTES DE LA INSTALACIÓN DEL CEPILLO LATERAL.**

### Instalación del cepillo lateral:

1. Retire el cepillo delantero y el eje del cepillo.
2. Fije el conjunto de protección en la placa lateral.
3. Inserte el eje del cepillo lateral a través de la protección y el cepillo principal.



### Uso del cepillo lateral:

1. Incline la máquina en un ángulo que permita que el cepillo trasero recoja el agua sucia.
2. Use el cepillo lateral solo para lavar los bordes y las esquinas del piso.



No use el cepillo lateral en una habitación sin zócalos. Las paredes se ensuciarán.

PROBLEMA	RAZÓN	SOLUCIÓN
La máquina no arranca.	El control deslizante de transporte está en la posición ABAJO.	Mueva el control deslizante de transporte hasta la posición de trabajo (ARRIBA).
	El disyuntor se ha activado.	Retire cualquier obstrucción del cepillo/tambor. Espere 1 minuto y reinicie el disyuntor.
	Las ruedas de transporte no se elevan del suelo cuando se baja la manija.	Compruebe si hay suciedad y limpie la máquina.
	Falta de tensión/suministro eléctrico.	Compruebe el cable de alimentación, el enchufe y el toma de corriente.
La máquina no recoge agua del suelo.	Depósito de recuperación mal instalado o dañado.	Vuelva a colocar o reemplace el tanque de recuperación.
	Cepillos desgastados.	Compruebe la presión del cepillo. Reemplace los cepillos si es necesario.
	El tambor no gira.	Vea abajo.
El tambor no gira.	Suciedad alrededor del tambor o en la base de la máquina.	Limpie el tambor y la base de la máquina.
El tambor gira, pero los cepillos no.	Suciedad alrededor de los cepillos.	Limpie el tambor y la base de la máquina.
La máquina no rocía la solución en el piso.	Bomba defectuosa.	Si la bomba no hace ruido, verifique que el cable de la bomba esté colocado correctamente.
	Conexión incorrecta de la manguera de agua.	Compruebe el conector de bloqueo rápido para un ajuste adecuado.
	Depósito de solución vacío.	Llene el depósito de solución.
	Boquilla obstruida.	Limpie la boquilla.
	Filtro bloqueado o válvula defectuosa en el depósito de solución.	Limpie/reemplace el filtro o la válvula.
El motor hace un zumbido pero no gira.	Suciedad alrededor del tambor y en la base de la máquina.	Limpie el tambor y la base de la máquina.



**VORTEX 13 MULTILAVAGE**  
MANUEL D'EXPLOITATION ET D'ENTRETIEN  
DESTINÉ UN USAGE COMMERCIAL UNIQUEMENT



Tornado Industries, LLC  
3101 Wichita Court  
Ft. Worth, TX 76140-1755  
Teléfono: 800-VACUUMS  
Fax: 1-817-551-0719  
WWW.TORNADOVAC.COM



Modèle n° TS050-W13-U



**Record of Purchase**

Número de serie: \_\_\_\_\_  
Fecha de compra: \_\_\_\_\_  
Distribuidor: \_\_\_\_\_  
Número de teléfono: \_\_\_\_\_

## Pour commencer

Introduction .....	57
Garantie .....	58
Instructions de mise à la terre .....	59
INSTRUCTIONS DE SÉCURITÉ IMPORTANTES .....	60-61
Agents de nettoyage .....	62
Spécifications techniques .....	63
Sélection de la brosse .....	64

## Instructions de fonctionnement

Caractéristiques principales .....	65
Assemblage .....	66-68
Commandes .....	69-71
Utilisation .....	72-73
Nettoyage .....	74-76
Transport et rangement .....	77
Entretien .....	78
Accessoires .....	79
Diagnostic des anomalies .....	80

Votre nouvelle unité Tornado est un produit de précision de haute qualité. Toutes les pièces utilisées dans la fabrication de cette unité répondent aux normes de contrôle de qualité rigides avant l'assemblage. Veuillez conserver le reçu / la facture d'origine remis(e) au moment de l'achat. Si vous rencontrez des problèmes avec votre appareil pendant la période de garantie, le reçu / la facture d'origine servira de preuve d'achat.

**À la réception, inspectez la boîte extérieure pour détecter tout dommage extérieur. Déballez toutes les pièces internes, assurez-vous qu'aucun dommage caché n'est présent.**

Chaque unité est testée et soigneusement inspectée avant l'expédition. Si des dommages sont découverts, informez immédiatement la société de transport qui a livré votre machine et demandez une inspection. En tant que fabricant, nous ne sommes pas en mesure de donner suite à une réclamation pour dommages cachés et vous devez être à l'origine de la réclamation. Assurez-vous de conserver le carton, les notices d'emballage et le reçu du transporteur jusqu'à ce que l'inspecteur ait vérifié votre réclamation.



### Protéger l'environnement

Veuillez éliminer les matériaux d'emballage d'une manière respectueuse de l'environnement conformément aux réglementations locales en matière d'élimination des déchets.



**N'oubliez jamais de recycler.**



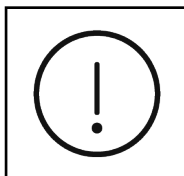
### Garantie

Dans les 30 jours suivant l'achat, pour activer la garantie du produit, rendez-vous sur : <https://tornadovac.com/services/warranty-registration-form.aspx>  
Pour plus d'informations sur la garantie, rendez-vous sur [www.tornadovac.com](http://www.tornadovac.com).



### Étiquettes d'avertissement

Avant d'utiliser l'appareil, lisez et comprenez entièrement ce manuel du propriétaire en accordant une attention particulière aux étiquettes d'avertissement. Ces étiquettes indiquent une situation potentiellement dangereuse pouvant entraîner la mort ou des blessures graves si elle n'est pas évitée. Utilisez cet appareil uniquement selon les instructions décrites dans ce manuel.

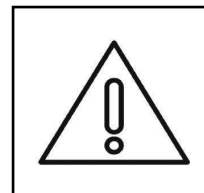


### Important

Il n'y a aucune pièce réparable par le propriétaire à l'intérieur de cette machine. Le retrait des vis et l'accès aux composants internes annuleront toutes les réclamations de garantie.

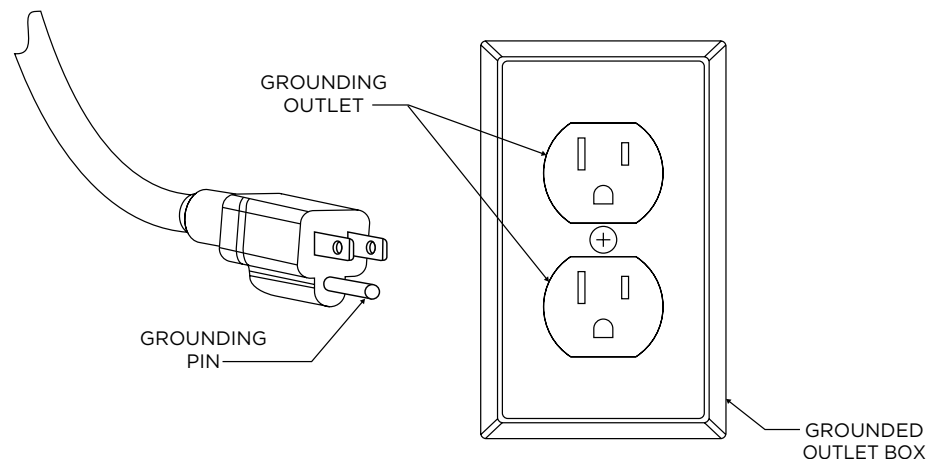
## INSTRUCTIONS DE MISE À LA TERRE

Cet appareil doit être mis à la terre. En cas de mauvais fonctionnement électrique, la mise à la terre fournit un chemin de moindre résistance visant à réduire le risque de choc électrique. Cet appareil est équipé d'un cordon muni d'un conducteur de mise à la terre et d'une fiche de terre. La fiche doit être insérée dans une prise appropriée correctement installée et mise à la terre conformément à tous les codes et réglementations locaux.



Un mauvais branchement du conducteur de mise à la terre de l'appareil peut provoquer un risque de décharge électrique. Vérifiez auprès d'un électricien qualifié ou d'un agent de maintenance si vous avez un doute sur le fait que la prise est correctement mise à la terre. Ne modifiez pas la fiche fournie avec l'appareil. Si la fiche n'est pas adaptée à la prise, faites installer une prise adéquate par un électricien qualifié.  
**NE RETIREZ PAS LA BROCHE DE MISE À LA TERRE POUR QUELQUE RAISON QUE CE SOIT.**

Cet appareil est conçu pour une utilisation sur un circuit nominal de 115 volts et est équipé d'une fiche de mise à la terre qui ressemble à la fiche illustrée ci-dessous.



# INSTRUCTIONS DE SÉCURITÉ IMPORTANTES

Lisez et comprenez ce manuel du propriétaire et toutes les étiquettes sur l'appareil avant de l'utiliser. La sécurité est une combinaison de bon sens, de vigilance et de connaissance du fonctionnement de votre unité. Pour réduire le risque de blessures corporelles ou de dommages à votre appareil, utilisez-le uniquement de la manière indiquée dans ce manuel.



## POUR USAGE COMMERCIAL UNIQUEMENT

Pour réduire le risque d'incendie, de choc électrique ou de blessure, les instructions ci-dessous doivent être lues et comprises entièrement avant l'utilisation de la machine

**IMPORTANT:** Le fabricant ne pourra être tenu responsable en cas de dommage causé par une utilisation de cet appareil non conforme aux instructions, ou en cas de dommage dû à une utilisation autre que celle pour laquelle il a été conçu.

## AVERTISSEMENT:

- Cette machine ne doit être utilisée que pour l'application approuvée par le fabricant, comme décrit dans ce manuel.
- La machine doit être déballée et assemblée conformément à ces instructions avant d'être connectée à l'alimentation électrique.
- Seuls les accessoires et les pièces de rechange fournis avec la machine ou ceux approuvés par le fabricant doivent être utilisés. L'utilisation d'autres accessoires peut compromettre la sécurité de la machine. Toutes les réparations doivent être effectuées par un technicien qualifié.
- **NE MODIFIEZ PAS** la machine par rapport à sa conception d'origine.
- Les opérateurs doivent être parfaitement formés à l'utilisation de la machine conformément à ces instructions et être capables d'effectuer la maintenance de l'utilisateur comme décrit dans ce manuel.
- Les opérateurs doivent être physiquement capables de manœuvrer, de transporter et d'utiliser la machine.
- Les opérateurs doivent être en mesure de reconnaître un fonctionnement inhabituel de la machine et de signaler tout problème.
- Cet appareil n'est pas conçu pour une utilisation par des personnes (y compris des enfants) ayant des capacités physiques, sensorielles ou mentales réduites, ou ayant un manque d'expérience ou de connaissances, à moins qu'elles soient sous la surveillance d'une personne responsable de leur sécurité ou que cette dernière leur ait enseigné à utiliser l'appareil.
- Maintenez les enfants et les personnes non autorisées loin de l'appareil pendant son utilisation.  
**N'UTILISEZ PAS** la machine comme jouet.
- **N'UTILISEZ PAS** cet appareil si le cordon ou la fiche est endommagé(e). S'il a été endommagé, laissé à l'extérieur ou tombé dans l'eau, renvoyez-le à un centre de service pour inspection et/ou réparation.
- **N'UTILISEZ PAS** là où des poussières dangereuses sont présentes.
- **N'UTILISEZ PAS** dans un environnement explosif.
- **NE RAMASSEZ PAS ET N'UTILISEZ PAS** à proximité de liquides inflammables ou combustibles, de poussières ou de vapeurs dangereuses.
- **ATTENTION** – Si vous soupçonnez la présence de poussières dangereuses ou de matériaux inflammables/corrosifs, arrêtez immédiatement de nettoyer la zone et consultez votre supérieur.

## CONSERVEZ CES INSTRUCTIONS

# INSTRUCTIONS DE SÉCURITÉ IMPORTANTES

- **NE PAS** utiliser pour nettoyer des matériaux brûlants ou allumés tels que des cigarettes, des allumettes, des cendres ou d'autres objets combustibles.
- N'utilisez la machine que sur des surfaces planes et fermes. **N'UTILISEZ PAS** la machine sur une pente ou une inclinaison de plus de 2 %.
- **ATTENTION** – Cette machine est destinée à un usage intérieur sec uniquement et ne doit pas être utilisée ou stockée à l'extérieur ou dans des conditions humides. Protégez de la pluie.
- Soyez prudent lorsque vous utilisez cette machine près du haut des escaliers pour éviter toute perte d'équilibre.
- **NE COUVREZ PAS** la machine lorsqu'elle est utilisée.
- **NE FAITES PAS FONCTIONNER** la machine à sec car cela pourrait endommager la surface du sol et/ou la machine elle-même.
- **DE LAISSEZ PAS** la machine fonctionner sans surveillance.
- Tenez les cheveux, les habits amples, les mains, les pieds et toute autre partie du corps à distance des ouvertures et des pièces mobiles. Ne mettez pas les mains sous la base car les pièces en rotation peuvent causer des blessures.
- **N'INSÉREZ PAS** d'objets dans les ouvertures. **N'UTILISEZ PAS** avec une ouverture bloquée. Évitez l'accumulation de poussière, de débris et de tout ce qui pourrait réduire le flux d'air.
- **N'UTILISEZ PAS** de solvants volatils ou combustibles (p. ex., diesel, essence, PA, trichlorométhane) ni aucune substance corrosive, toxique ou hautement irritante pour laver les sols, même dilués. En cas de contact accidentel avec de telles substances (p. ex., en raison de déversements), suivez les procédures de décontamination en vigueur sur le site de l'utilisateur. En cas de doute sur l'état de la machine, contactez Tornado ou le revendeur/agent qui a fourni la machine.
- **NE LAISSEZ PAS** la machine sans surveillance lorsqu'elle est branchée. Débranchez de la prise lorsqu'il n'est pas utilisé et avant de changer les brosses ou de tenter tout entretien ou réglage.
- **NE remplissez PAS** la machine avec de l'eau dont la température est supérieure à 104 °F (40 °C).
- Lorsqu'elle est utilisée sur des escaliers mécaniques, assurez-vous que la machine est positionnée au bas de l'escalier mécanique avec l'escalier mécanique se déplaçant vers l'opérateur.
- **NE TIREZ PAS** et ne soulevez pas l'appareil par le cordon, n'utilisez pas le cordon comme poignée, ne fermez pas une porte sur le cordon et ne tirez pas le cordon contre des bords tranchants ou des coins.
- **NE FAITES PAS** rouler la machine sur le cordon. Maintenez le cordon à distance des surfaces chaudes.
- **NE DÉBRANCHEZ PAS** l'appareil en tirant sur le câble. Pour le débrancher, tirez sur la fiche, pas sur le câble. • Ne manipulez pas la fiche ou la machine avec des mains mouillées. Éteignez toutes les commandes avant de débrancher.
- Raccordez-le à une prise correctement mise à la terre uniquement. Instructions de mise à la terre.
- Veillez à ce que le câble d'alimentation électrique n'entre pas en contact avec des pièces mobiles telles que les brosses à plancher.
- Assurez-vous que la tension et la fréquence à la prise murale correspondent à celles indiquées sur la plaque signalétique avant de brancher l'appareil.
- La machine doit être maintenue propre et en bon état avec des inspections régulières du cordon d'alimentation et de la prise pour détecter tout signe de dommage. Si toute pièce est endommagée, elle ne doit être remplacée que par une pièce approuvée, par le fabricant, son technicien ou une personne qualifiée similaire afin d'éviter tout danger.
- Ne remplacez le cordon d'alimentation que par un équipement d'origine du FEO.

## CONSERVEZ CES INSTRUCTIONS

## PRODUITS DE NETTOYAGE

- Lors de l'utilisation d'agents de nettoyage et d'entretien, les avertissements de danger du fabricant doivent être suivis et un EPI approprié doit être porté conformément aux instructions du fabricant.
- N'utilisez que des produits de nettoyage peu moussants et non combustibles qui NE contiennent PAS de substances généralement nocives pour la santé.
- Veuillez vous assurer qu'après chaque utilisation, tout résidu chimique est rincé à l'eau claire.



Le fabricant ne pourra être tenu responsable en cas de dommage causé par une utilisation de l'appareil non conforme aux instructions fournies, ou en cas de dommage causé par une utilisation autre que celle pour laquelle il a été conçu.

## DIRECTIVES POUR L'OPÉRATEUR

Laissez la machine faire le travail. Saisissez la poignée aussi légèrement que possible.

- Portez des chaussures adaptées pour éviter de glisser.
- Portez des vêtements adaptés pour rester au sec.
- Ne fumez pas lorsque vous utilisez la machine.
- N'utilisez pas de produits nettoyants excessivement moussants ou hautement corrosifs. En cas d'utilisation sur un sol inondé, assurez-vous que la profondeur de l'eau ne dépasse pas 6 mm (1/4 pouce).



Cette machine est lourde. N'essayez pas de soulever la machine sans assistance. Des techniques de lavage incorrectes peuvent entraîner des blessures corporelles.

## SPÉCIFICATIONS TECHNIQUES

Spécification	Valeur
Tension	115
Hertz	60
Surface de nettoyage	13 in / 340 mm
Hauteur de la poignée	44 in / 1110 mm
Largeur	18 in / 450 mm
Longueur	15 in / 390 mm
Puissance du moteur	950 Watts
Intensité de courant	8.2
Vitesse de la brosse	670 RPM
Vitesse de la brosse	1 Gallon / 4 Liters
Capacité du réservoir de produit nettoyant	3767 ft <sup>2</sup> /hr. / 350 m <sup>2</sup> /hr.
Capacité de nettoyage	69 db(A)

Les vibrations de la poignée ne dépassent pas 2,5 m/s<sup>2</sup> lors de l'utilisation sur une surface lisse et dure.

- Niveaux de bruit mesurés à une distance de 3,28 pieds (1 mètre) de la machine et 5,25 pieds (1,6 mètre) au-dessus du sol lors du lavage d'un sol dur.
- Les valeurs ci-dessus sont approximatives. Étant donné que la politique de l'entreprise est d'améliorer continuellement le produit, il peut y avoir des changements sans préavis.
- La capacité de nettoyage ci-dessus est théorique car il existe potentiellement de nombreuses variations dans le fonctionnement de la machine.



## SÉLECTION DE BROSSSE

Type de plancher	Premier nettoyage	Nettoyage d'entretien quotidien
Carrelage jointoyé, Céramique, Mosaïque, Bois, Planchers sportifs, Caoutchouc, Carrelage de vinyle	Standard	Souple
Moquette de faible hauteur	Moquette	Moquette
Marbre, Granit, Ardoise	Souple	Souple
Béton lisse	Dur	Standard
Autres	Pour s'adapter aux conditions de plancher individuelles	

Type de brosse	Numéro de pièce
Standard	93120
Souple	93121
Dur	93122
Escalier électrique	33859
Côté	93049

## CARACTÉRISTIQUES PRINCIPALES



Article	Description
1	Poignée
2	Bouton de contrôle du produit nettoyant
3	Cordon d'alimentation
4	Réservoir du produit nettoyant
5	Support de poignée
6	Solution Hose Tuyau de produit nettoyant
7	Brosse avant
8	Brosse arrière

Article	Description
9	Pédale de déblocage de la poignée
10	Réservoir d'eau sale
11	Couvercle du réservoir d'eau sale
12	Emplacement d'acheminement du câble de commande de la pompe
13	Emplacement d'acheminement du câble de commande de la pompe
14	Crochets d'enroulement du cordon d'alimentation
15	Câble

1. Insérez l'ensemble de poignée dans le support de poignée. (Fig. 1)

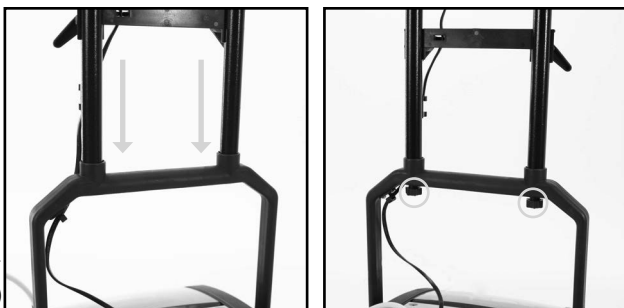


Fig. 1

Fig. 2

2. À l'aide du bouton, de la rondelle en étoile et de la rondelle plate, fixez la poignée au support de la poignée. (Fig. 2)

3. Assurez-vous que la goupille du réservoir de produit nettoyant de la poignée est vers l'avant de l'appareil et que les crochets d'enroulement du cordon sont vers l'arrière. (Fig. 3)



Fig. 3

4. Faites passer le câble de commande de la pompe à travers les (5) emplacements indiqués sur le support de la poignée et la poignée. (Fig. 4)

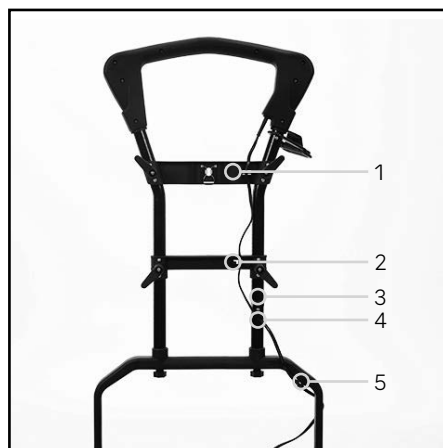


Fig. 4

5. Branchez l'extrémité du câble de commande de la pompe dans la prise de l'ensemble de poignée. Cette prise n'est pas sensible à la polarité et s'adapte à la poignée dans les deux sens. Assurez-vous qu'il y a suffisamment de mou au bas du câble pour que le couvercle du boîtier de la pompe ne se soulève pas lorsque la poignée est déplacée en position de travail. (Fig. 5)



Fig. 5

6. Faites passer la boucle du cordon d'alimentation dans la fente du dispositif de retenue du cordon d'alimentation. (Fig. 6)



Fig. 6

7. Accrochez la boucle au-dessus de la lèvre du dispositif de retenue et tirez le mou à travers la fente. Enroulez le cordon autour de 4 crochets de cordon à l'arrière de la machine. (Fig. 7)



Fig. 7

8. Placez la lèvre du réservoir de produit nettoyant sur le support de la poignée et faites-la pivoter vers le haut afin que la goupille du réservoir de produit nettoyant s'engage dans le dispositif de retenue de la goupille du réservoir de produit nettoyant. (Fig. 8)



Fig. 8



Fig. 9

9. Une pression sur la languette blanche du connecteur libère le connecteur coudé du réservoir. (Fig. 9)



Fig. 10

10. Fixez l'extrémité cannelée du raccord coudé noir au tuyau provenant du boîtier de la pompe. Fixez l'autre extrémité du coude au réservoir en poussant le coude dans la connexion jusqu'à ce qu'il « s'enclenche » et se verrouille. (Fig. 10)

11. Branchez une extrémité du câble d'alimentation à l'appareil et l'autre à une prise murale. (Fig. 11 et 12)



Fig. 11



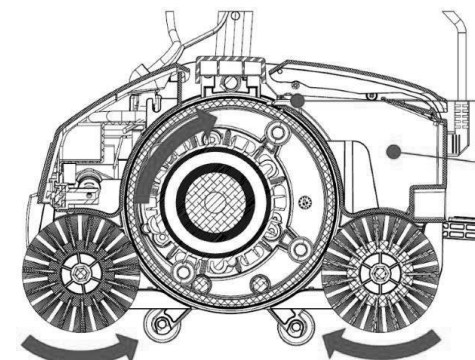
Fig. 12

## Comment cela fonctionne:

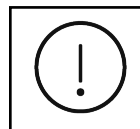
Le liquide de nettoyage dans le réservoir de produit nettoyant est pulvérisé sur le sol.

Les brosses à contre-rotation frottent le sol et rejettent l'eau sale sur le tambour du convoyeur. La brosse avant effectue la majeure partie du lavage et du séchage. La brosse arrière termine le brossage et récupère l'eau restante du sol.

La lame montée sur le bac de récupération essuie le tambour et récupère l'eau sale.



## CONTRÔLE DES BROSSES



La poignée doit être en position verticale et verrouillée pour changer le levier de transport/travail.

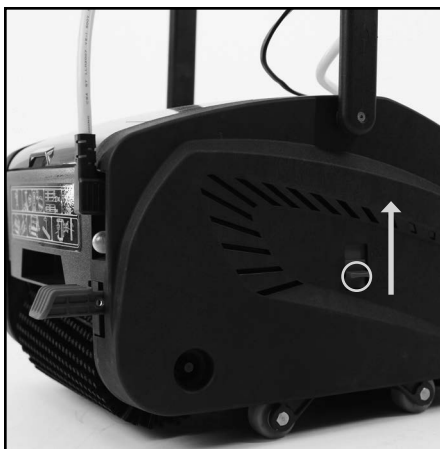
Pour mettre la machine en **MODE TRANSPORT**, déplacez le levier rouge en position **BASSE**. Dans ce mode, les roues de transport touchent le sol lorsque la poignée est déplacée en position de travail.

**Remarque : La machine NE s'allumera PAS dans ce mode.**



## Contrôle des brosses:

Déplacez le glisseur vers le **HAUT** pour mettre la machine en **MODE DE TRAVAIL**. Dans ce mode, les brosses touchent le sol lorsque la poignée est déplacée en position de travail.



Garder le glisseur en position de travail élevée pendant le transport de la machine ENDOMMAGERA les brosses.

Transportez toujours en MODE TRANSPORT.

## Contrôle du produit nettoyant:

En appuyant sur le bouton de produit nettoyant rouge, le produit est pulvérisé sur le sol depuis l'avant de la machine. La pulvérisation s'arrête une fois que le bouton de contrôle du produit nettoyant est relâché.



## Contrôle du contact de la brosse:

Le contrôle du contact de la brosse est réglable en 4 étapes afin de compenser l'usure de la brosse et de contrôler l'effet de brossage. Le contact est **MINIMUM** lorsque le bouton est complètement abaissé et **MAXIMUM** lorsqu'il est complètement relevé. Si la machine ne bouge pas lorsque la poignée est abaissée, faites glisser le glisseur de contrôle du contact de la brosse d'un cran vers le haut.



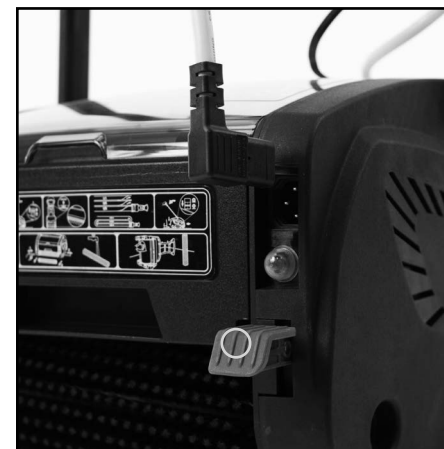
## Disjoncteur:

En cas de surcharge du circuit due à une mauvaise alimentation ou à une obstruction inattendue à la rotation de la brosse/du tambour, le disjoncteur se déclenche et protège le moteur contre les dommages. Si cela arrive, **DÉBRANCHEZ L'APPAREIL**, identifiez la cause, corrigez-la et réinitialisez le disjoncteur au moins 1 minute après le déclenchement en appuyant manuellement sur le bouton du disjoncteur et poursuivez le fonctionnement normalement. Si aucune obstruction ne peut être trouvée, consultez un électricien qualifié car le circuit source pourrait être potentiellement problématique.



## Contrôle marche/arrêt:

Pour démarrer le moteur, appuyez sur la pédale rouge avec votre pied et tirez la poignée vers l'arrière. Les brosses et le tambour commenceront à tourner. Relâchez la pédale rouge dans cette position et tirez la poignée vers vous afin d'engager les brosses rotatives sur le sol. Pour arrêter le fonctionnement, remettez la poignée en position verticale et verrouillée.



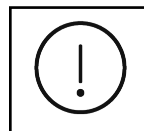


Avant la mise en marche de la machine, balayez au préalable le sol pour enlever les débris avant d'utiliser l'appareil.

1. Remplissez le réservoir d'eau douce de produit nettoyant à une température maximale de 104 °F (40 °C). Ajoutez le produit nettoyant selon les recommandations du fabricant.
2. Appuyez légèrement sur la pédale rouge avec votre pied et tirez la poignée vers l'arrière pour démarrer le moteur. Les brosses et le tambour commenceront à tourner. Tirer la poignée vers vous **SANS** appuyer sur la pédale abaisse la machine et engage les brosses rotatives avec le sol. Pour arrêter le fonctionnement, remettez la poignée en position verticale et verrouillée.



3. Avancez tout en appuyant avec parcimonie sur le bouton de contrôle du produit nettoyant. Ce bouton ne doit être enfoncé que par intermittence en fonction du type de sol et de la quantité de saleté sur le sol. Pour les sols carrelés ou en pierre, appliquer très peu de produit nettoyant. Relâchez le bouton de contrôle du produit nettoyant pour arrêter la décharge du produit nettoyant environ 12 pouces avant la fin du mouvement vers l'avant. Continuez à avancer jusqu'au mur sans appuyer sur le bouton.
4. Tirez la machine vers l'arrière dans la même voie **SANS** décharger de produit nettoyant. Lorsque vous atteignez le point de départ, changez de piste et répétez les étapes ci-dessus. Lorsque vous changez de piste, laissez un certain chevauchement avec la zone nettoyée pour assurer une couverture complète. En cas de grandes salles, faites demi-tour en avançant. Si un séchage rapide est requis, déplacez sur la même piste sans décharger de produit nettoyant.



Si la machine ne fonctionne pas, veuillez vous reporter à la section de dépannage au dos de ce manuel d'instructions. Si le problème/remède ne figure pas dans la liste, veuillez contacter le service technique de Tornado



Avant le nettoyage, assurez-vous que l'appareil est éteint et débranché de l'alimentation électrique.

1. Lorsque l'opération de nettoyage du sol est terminée, remettez la poignée en position verticale et verrouillée et débranchez le cordon d'alimentation. Enroulez le cordon d'alimentation autour des crochets de la poignée.
2. Déplacez le levier de transport en position **BASSE** pour retirer les brosses du sol.
3. Soulevez le couvercle du réservoir de récupération et retirez le réservoir de récupération. Videz le réservoir et rincez complètement à l'eau propre. Nettoyez la racle de lavage en acier avant de réinsérer le réservoir de récupération.



Avoid touching the sharp edges of the dirty water tank as injury to hands can occur.

4. Pour éviter un éventuel colmatage des conduites de produit nettoyant, videz toute solution inutilisée du réservoir, des conduites et du filtre et rincez complètement à l'eau propre. Conservez au sec.
5. Relâchez les brosses en retirant les arbres de brosse maintenues par des billes de retenue à dégagement rapide.



6. Retirez les pinceaux et lavez-les soit en les trempant dans un seau/évier, soit à l'eau courante.



Éliminez l'eau sale conformément à toutes les réglementations locales, nationales et fédérales sur l'élimination des matières dangereuses.

7. Mettez la machine sur le côté et essuyez le tambour caoutchouté et le corps de la machine avec un chiffon propre et humide.
8. Réinstallez les brosses après le lavage. Il est plus facile d'enfoncer l'arbre de la brosse depuis le côté droit de la machine (côté câble électrique et pédale).
9. Les petits bouchons en plastique multicolores servent à fournir une méthode d'identification des brosses à utiliser dans différentes zones. De plus, cela aide l'opérateur à identifier facilement les brosses afin d'éviter la contamination croisée.



### Transport:

Faites très attention lorsque vous déplacez la machine pour monter ou descendre des marches ou des escaliers.

Des techniques de levage incorrectes peuvent entraîner des blessures corporelles.

Comme indiqué précédemment dans ce manuel, cette machine est lourde. N'essayez pas de soulever la machine sans assistance.

Enroulez soigneusement le cordon d'alimentation et rangez-le dans un endroit sec et à l'intérieur.

**N'EXPOSEZ PAS** la appareil à la pluie ou à l'humidité.

Lors du transport de la machine, assurez-vous que tous les composants, réservoirs et pièces amovibles sont solidement fixés et que le cordon d'alimentation et la fiche ne traînent pas.

**NE SOULEVEZ PAS** et ne transportez pas la machine pendant qu'elle contient du liquide, car cela ajoutera un poids considérable à l'unité.

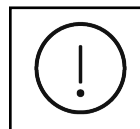
### Rangement:

Rangez toujours la machine avec la poignée en position verticale, ce qui éteindra la machine.

Enroulez le cordon d'alimentation autour des crochets d'enroulement du cordon d'alimentation en vous assurant que la fiche ne traîne pas sur le sol.

Débranchez, videz, essuyez et séchez toujours la machine après utilisation.

Les réservoirs de produit nettoyant et de récupération doivent être vidés et rincés avec de l'eau propre pour s'assurer que les joints et les pompes sont exempts de tout détergent de nettoyage.



Ne rangez la machine que dans un endroit sec et à l'intérieur.



Avant d'effectuer tout entretien, assurez-vous que l'unité est éteinte et débranchée de l'alimentation électrique.

### Vérifications recommandées par l'opérateur avant utilisation:

1. CORPS DE LA MACHINE – Essuyez avec un chiffon propre et humide.
2. CORDON D'ALIMENTATION – Inspectez régulièrement la gaine, la fiche et l'ancrage du cordon pour détecter tout dommage ou connexion desserrée. Remplacez uniquement le cordon d'alimentation par une pièce de rechange spécifiée par le FEO.
3. BROSSES – Pour une durée de vie maximale, lavez régulièrement les brosses. Assurez-vous que la machine est en MODE TRANSPORT lorsqu'elle n'est pas utilisée. Rangez les brosses supplémentaires en position verticale pour éviter de plier les poils. Vérifiez la flexion permanente des poils dans une direction particulière. Cela peut se produire si la machine n'est pas utilisée pendant plusieurs jours sans retirer les brosses, ce qui n'est pas recommandé. Si cela se produit, inversez la brosse afin que les poils courbés puissent revenir à leur position d'origine.
4. RACLE DE LAVAGE – Après une longue période d'utilisation, la racle de lavage peut s'user. Si cela se produit, les performances de collecte de l'eau diminueront et doivent être remplacées par un centre de service agréé.
5. FILTRE D'ALIMENTATION EN PRODUIT NETTOYANT – Le filtre empêche le colmatage de la pompe et de la buse de pulvérisation et doit être nettoyé périodiquement.
6. ENTRETIEN DE LA BUSE – Si le jet de la buse est obstrué, faites glisser le couvercle de la buse et retirez la buse. Laver la buse à l'eau propre en s'assurant que la buse est débouchée avant de la remettre en place.



Outre ceux décrits ci-dessus, tous les entretiens et réparations supplémentaires ne doivent être effectués que par un agent d'entretien Tornado agréé.



N'utilisez pas la brosse latérale dans une pièce sans vadrouille. Les murs seront sales.



La brosse latérale peut être utilisée pour nettoyer les coins près des murs. DÉBRANCHEZ LA MACHINE AVANT L'INSTALLATION DE LA BROsse LATÉRALE.

### Installation de la brosse latérale:

1. Retirez la brosse avant et l'arbre de la brosse.
2. Fixez l'ensemble de protection sur la plaque latérale.
3. Insérez l'arbre de la brosse latérale à travers le bouclier et la brosse principale.



### Utilisation de la brosse latérale:

1. Inclinez la machine à un angle qui permettra à la brosse arrière de recueillir l'eau sale.
2. Utilisez la brosse latérale uniquement pour laver les bords et les coins du sol.





# DIAGNOSTIC DES ANOMALIES



N'utilisez pas la brosse latérale dans une pièce sans vadrouille.  
Les murs seront sales.

PROBLÈME	RAISON	REMÈDE
La machine ne démarre pas	Le glisseur de transport est en position BASSE.	Déplacez le curseur de transport en position de travail (ÉLEVÉE).
	Le disjoncteur s'est déclenché.	Retirez toute obstruction à la brosse/tambour. Attendez 1 minute et réenclenchez le disjoncteur.
	Les roues de transport ne se soulèvent pas du sol lorsque la poignée est abaissée.	Vérifiez s'il y a des débris et nettoyez la machine.
	Manque de tension / alimentation électrique.	Vérifiez le cordon d'alimentation, la fiche et la prise de courant.
La machine ne parvient pas à recueillir l'eau du sol.	Réservoir de récupération mal monté / endommagé.	Remonter ou remplacer le réservoir de récupération.
	Brosses usées.	Vérifiez la pression de la brosse. Remplacez les brosses si nécessaire.
	Le tambour ne tourne pas.	Voir ci-dessous.
Le tambour ne tourne pas.	Débris autour du tambour ou de la base de la machine.	Nettoyez le tambour et la base de la machine.
Le tambour tourne, mais pas les brosses.	Débris autour des brosses.	Nettoyez le tambour et la base de la machine.
La machine ne pulvérise pas le produit nettoyant sur le sol.	Pompe défectueuse.	S'il n'y a pas de bruit provenant de la pompe, vérifiez que le câble de la pompe est correctement installé.
	Mauvaise connexion du tuyau d'eau.	Vérifiez que le connecteur à verrouillage rapide est bien ajusté.
	Réservoir de produit nettoyant vide.	Remplissez le réservoir de produit nettoyant.
	Jet bouché.	Jet propre.
Le moteur émet un bourdonnement mais ne tourne pas.	Filtre bouché ou vanne défectueuse dans le réservoir de produit nettoyant.	Nettoyez/remplacez le filtre ou la vanne.
	Débris autour du tambour et de la base de la machine.	Nettoyez le tambour et la base de la machine.



Tornado Industries, LLC  
3101 Wichita Court  
Ft. Worth, TX 76140-1755  
Téléphone: 800-VACUUMS  
Télécopie: 1-817-551-0719  
WWW.TORNADOVAC.COM



## Preuve d'achat

Numéro de série: \_\_\_\_\_

Date d'achat: \_\_\_\_\_

Revendeur: \_\_\_\_\_

Numéro de téléphone: \_\_\_\_\_



Tornado Industries, LLC  
3101 Wichita Court  
Ft. Worth, TX 76140-1755  
Phone: 800-VACUUMS  
Fax: 1-817-551-0719  
[WWW.TORNADOVAC.COM](http://WWW.TORNADOVAC.COM)