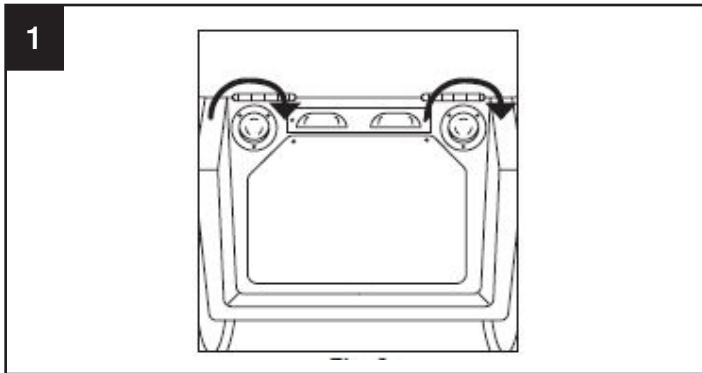
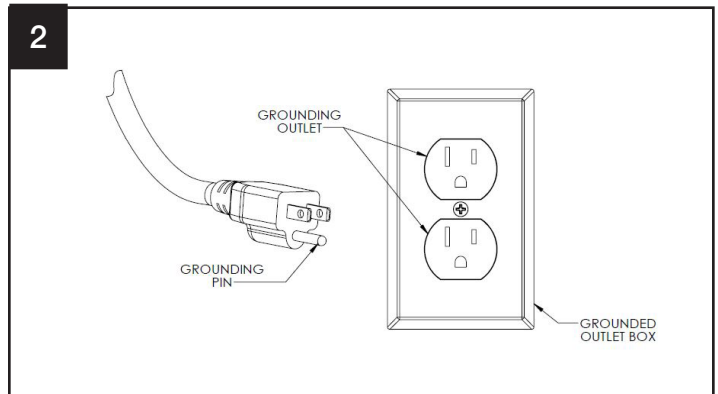


# Quick Start Guide TE310-G15-U

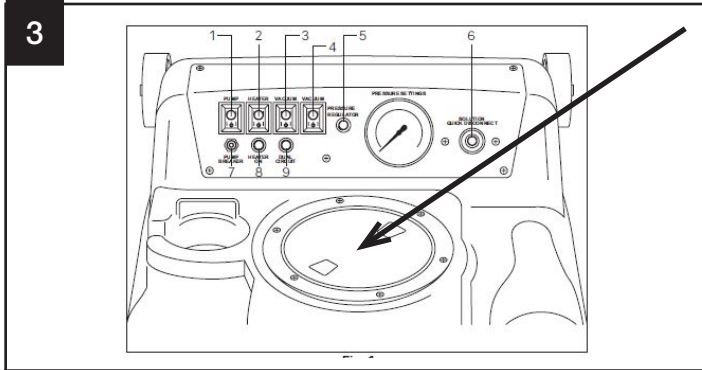
## 1. Assembly



1  
Attach the extension cords to the sockets on the back of unit and twist clockwise to lock in place.

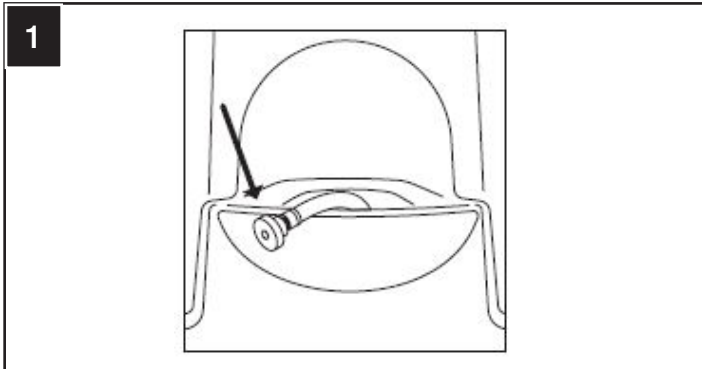


2  
Plug the other end of each extension cord into a separate grounded 15 amp wall socket circuit. When this is accomplished, the green indicator light on the control panel will be lit.

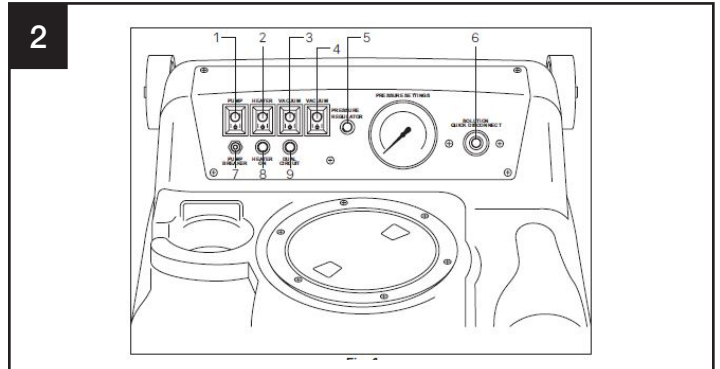


3  
Unscrew the clear round recovery tank lid and remove the short Grey priming hose from the recovery tank and save it for future use.

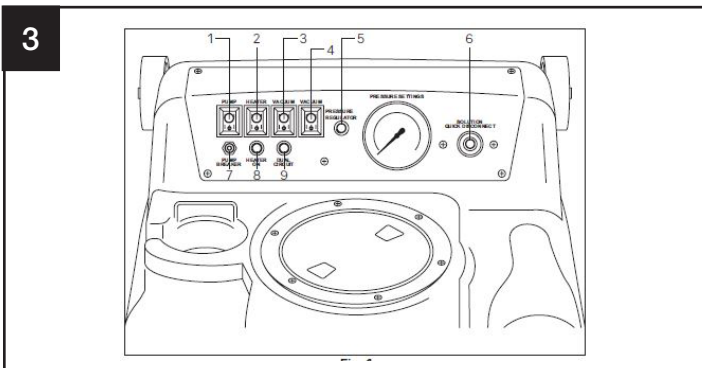
## 2. Operating Instructions



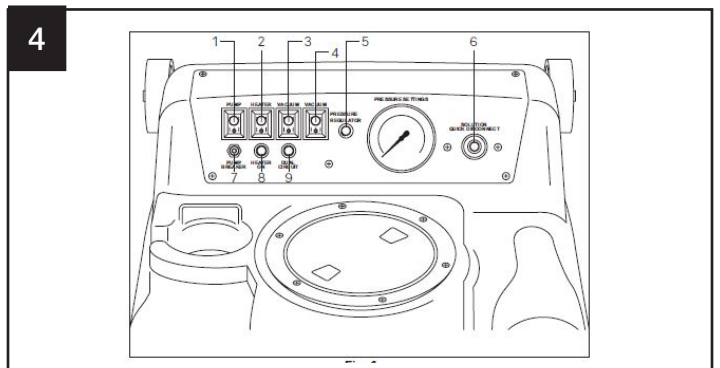
If you are not pre-spraying the chemical on the carpet, fill up the fresh water solution tank with tap water that is no hotter than 135° F (57° C) and approved carpet cleaning chemical, following the mixing instructions for the chemical being used, into the solution tank. If using the EZ Fill hose option, remove the hose from the solution tank and connect the hose to a water faucet.



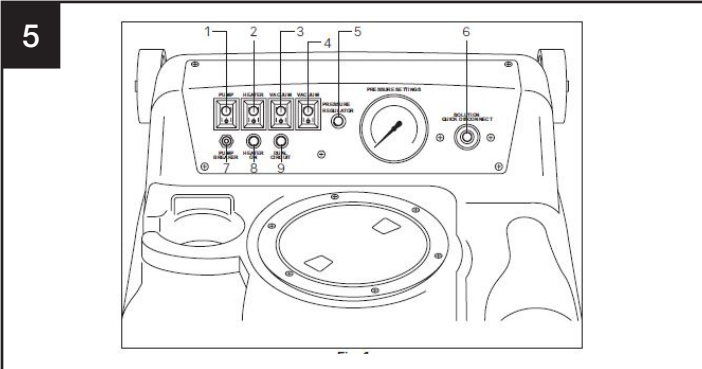
Turn the heater switch (#2) to the "ON" position. Note: The orange indicator light (#8) is on any time the heater is operating.



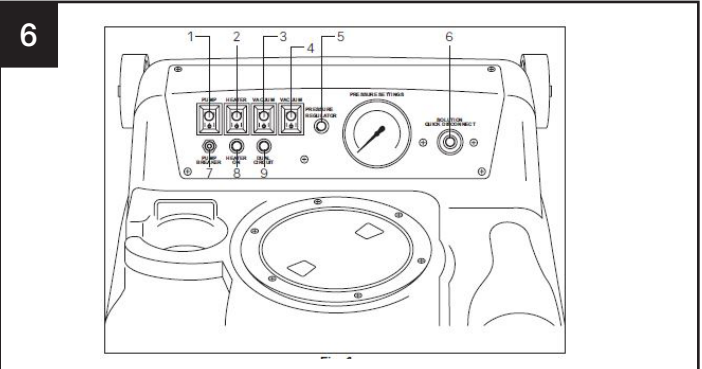
With the Grey priming hose attached to the machine (#6), prime the pump by turning the pump switch (#1) to the ON position releasing the water (hold end of priming hose over solution tank to put water back into solution tank). This will pump water into the heater and get any air out of the solution line. Let heater heat up. This will take 3 to 5 minutes. Once the pump is primed, turn OFF the pump switch and remove the Grey priming hose. Connect the vacuum and solution hose to the unit and the wand.



Turn the pump switch (#1) to the "ON" position.



Turn the vacuum switch (#3) to the “ON” position. (#4) is a blank cover.



Using the pressure adjustment (#5) adjust the pressure of the unit to suit your extraction task.



To empty solution tank, detach the wand from the end of the vacuum hose and insert the vacuum hose into the solution tank. Turn the vacuum switch to the “ON” position and transfer solution to the recovery tank and dispose of as described below.

8  
When recovery tank is full, the float will close off the vacuum. This can be detected by a change in the sound of the vacuum motor. Empty the recovery tank by using drain hose on the front of machine (Fig.1 #3). If a pail is used to empty the recovery tank, do not use the same pail to fill the solution tank as this can result in putting dirt and grit into the solution line that can plug filters, orifices, and generally degrade the solution line system (do not reuse solution).

### 3. Additional Parts Required

There are no additional parts required for this unit.