

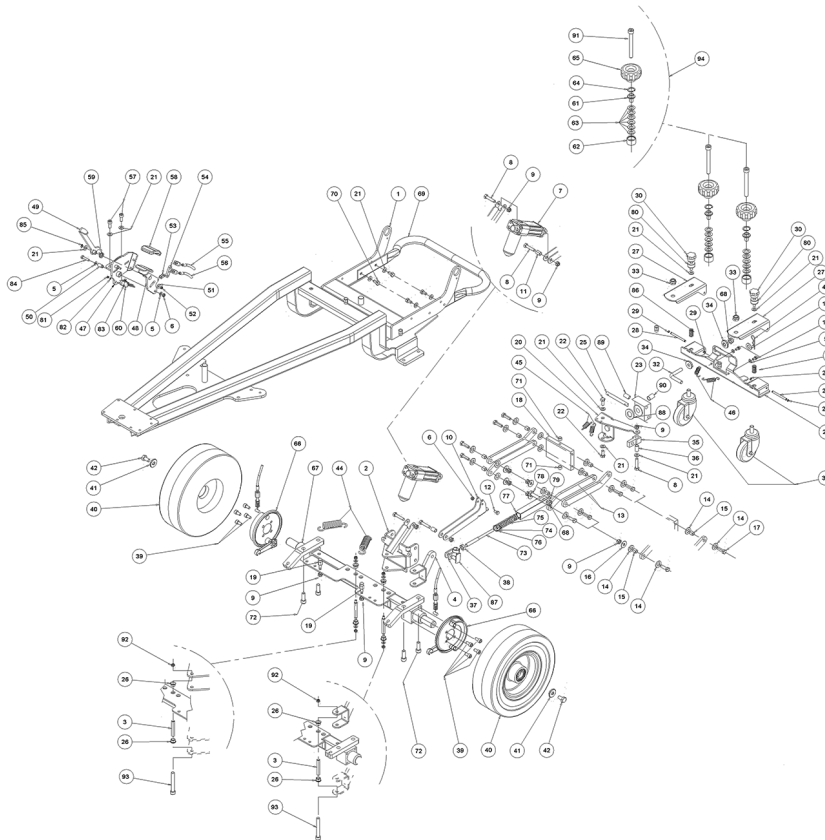


IPC

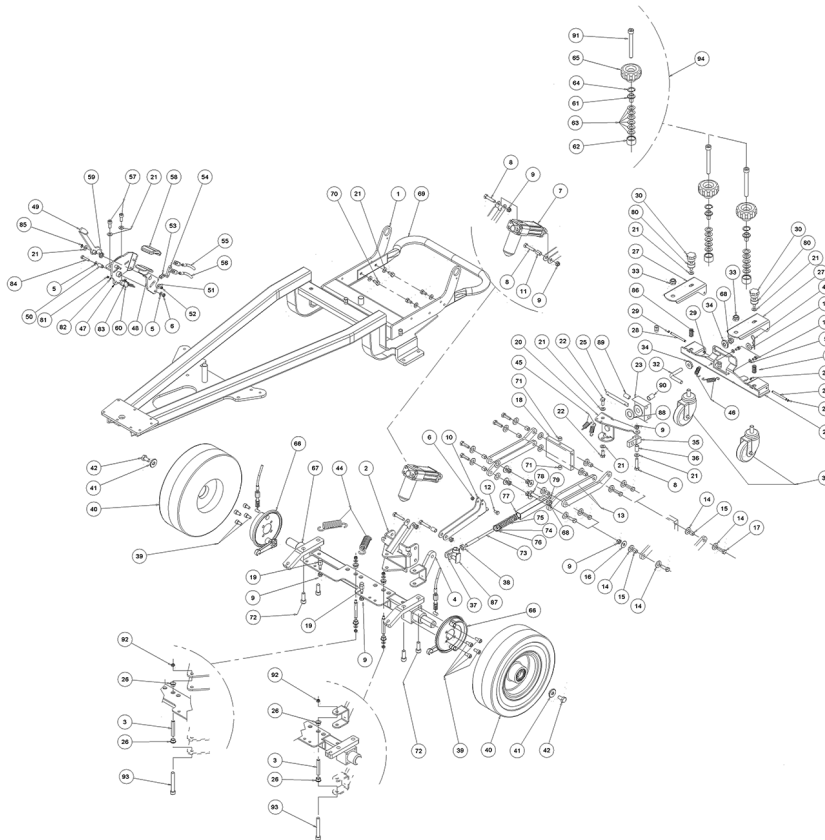
Spare parts list

Ref: LPTB01335

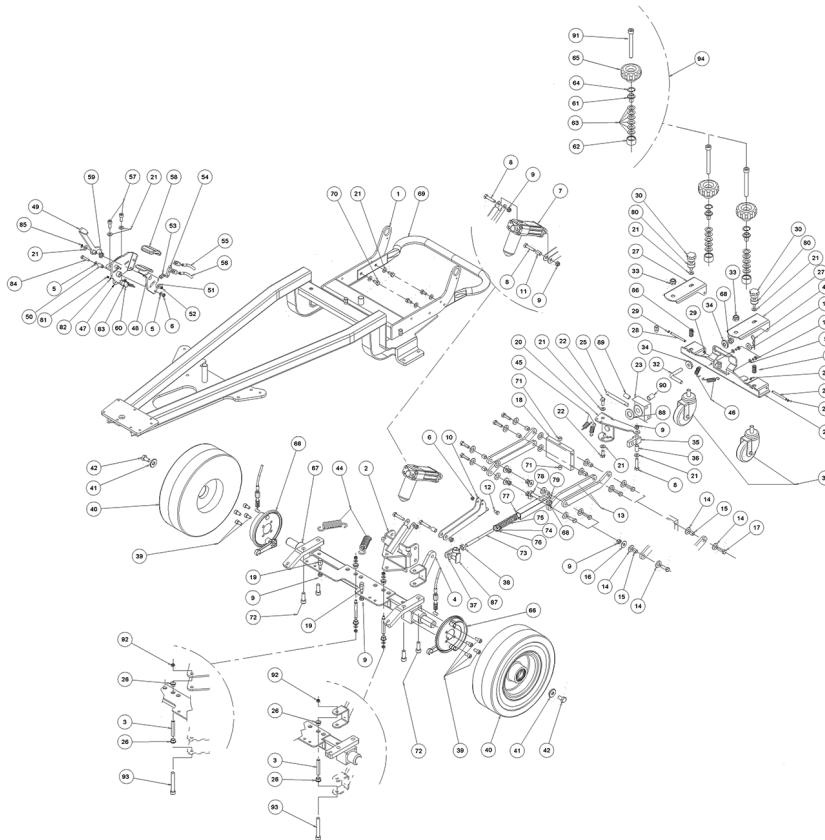
Model: FLOOR WASHER CT160 BT75R SW GR/VE



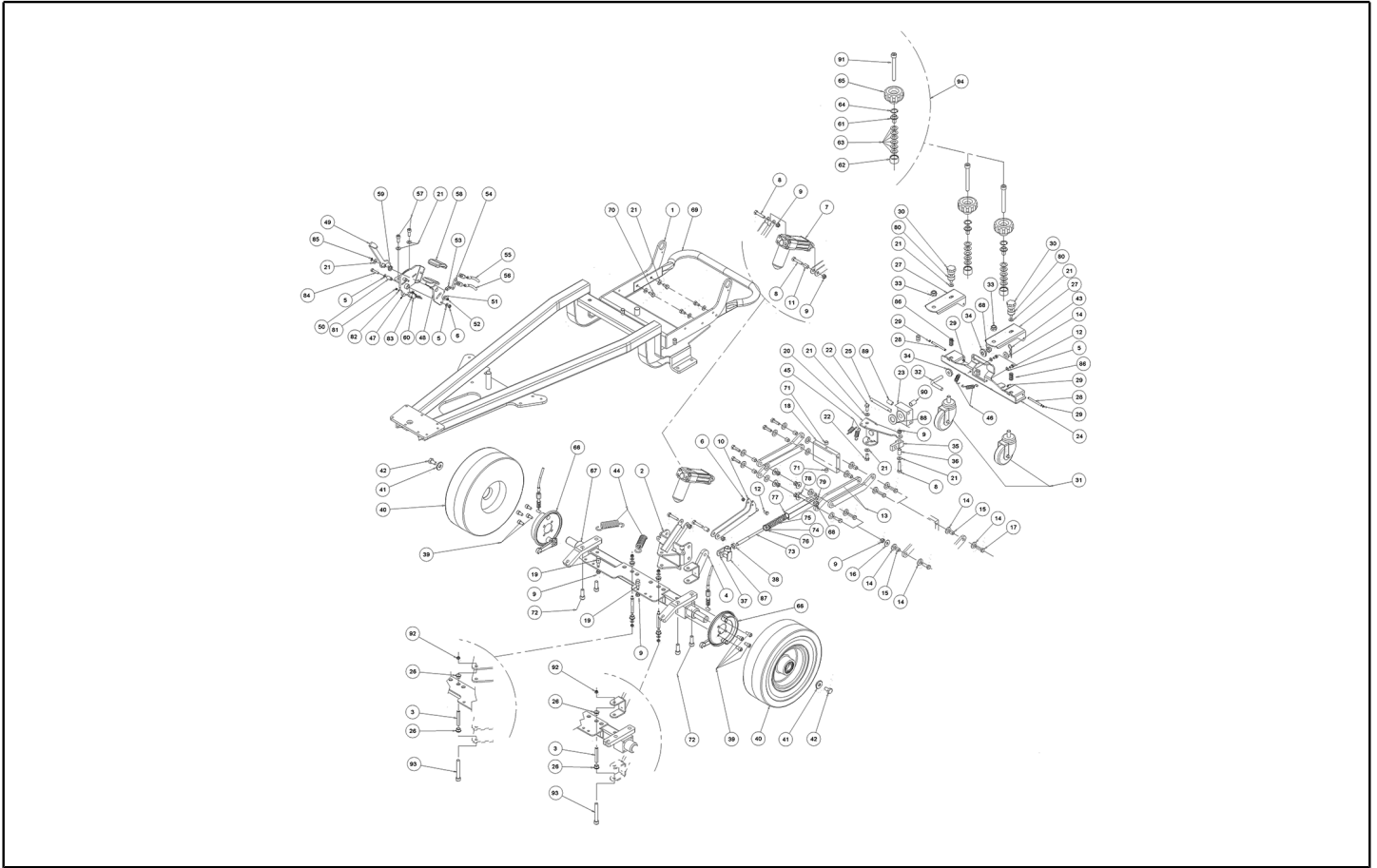
Ref. K	Part n.	Customer part n.	Description	Quantity	Validity		Price
					From	To	
0001	LAFN05790	SL39259	FRAME COMPLETO CLT160	1,00			--
0002	LAFN05780	SL39249	ARTICULATION PORTATERGI	1,00	20/05/2004		--
0003	LAFN04138	SL07630	PIN PARALLELOGRAMMO	2,00		17/07/2012	--
0003	LAFN07879		BUSHING -	2,00	18/07/2012		--
0004	LAFN05778	SL39247	ASSEMBLED C SNODO ORIZZONTALE	1,00			--
0005	VTRS00503	05118	WASHER D. 6 TE UNI 6798	8,00			--
0006	VTDD00010	1105133	NUT AUTOBLOK DIN 985 M6 BASSO	6,00			--
0007	MOCC00139	MP02210	ATUATOR TERGI AO-01M	1,00		31/05/2006	--
0007	MOCC00303		ATUATOR TERGI AO-01M	1,00	01/06/2006	24/10/2011	--
0007	MOCC00394		ATUATOR	1,00	25/10/2011		--
0008	VTVT00708	SL04155	SCREW TE M. 8-40	3,00	20/05/2004		--
0009	VTDD01695	SL05039	NUT M 8 INX	9,00	02/06/2005		--
0010	LAFN05777	SL39246	LEVER SOLLEVAMENTO TERGI	1,00	20/05/2004		--
0011	LAFN04139	SL07631	SPACER SNODO TERGI	1,00	20/05/2004		--
0012	VTVT15906	SL04180	SCREW TE 6X 12 A2 UNI 5739	4,00	20/05/2004		--
0013	LAFN05779	SL39248	ARM PARALLELOGRAMMA	4,00	20/05/2004		--
0014	VTRS15978		WASHER D.12X24 UNI 6592 INX	17,00	02/05/2005		--
0015	LAFN04151	SL07641	BUSHING X PARALLELOGRAMMA	8,00	28/07/2004		--
0016	VTRS13946	SL06025	WASHER D. 8 X24 INX UNI 6593	4,00			--
0017	VTVT13937	11051230	SCREW TE M 8X 30 INX UNI 5739	8,00	20/05/2004		--
0018	LAFN04125	SL07618	PLATE TESTATA PARALLELOGR.	1,00	20/05/2004		--
0019	LAFN04143	SL07635	PIN FISSA MOLLA	2,00			--
0020	LAFN05776	SL39245	ASSEMBLED SNODO FINALE	1,00	20/05/2004		--
0021	VTRS13947	75373	WASHER D. 8 INX UNI 6592	24,00	20/05/2004		--
0022	VTVT13938	75362	SCREW TE 8X20 UNI5739 INX	2,00			--
0023	LAFN04122	SL07615	ARTICULATION POSTERIORE	1,00	20/05/2004		--
0024	LAFN05775	SL39244	ASSEMBLED PORTATERGI	1,00	20/05/2004		--
0025	LAFN04123	SL07616	PIN SUPPORTO TERGI P.185	1,00	20/05/2004		--
0026	CUVR00139	SL12083	BUSHING SITERIZZATA	4,00		17/07/2012	--
0026	CUVR00130	SL12072	BEARING STRISCIAMENTO	4,00	18/07/2012		--
0027	LAFN05809	SL39277	ARM PORTARUOTA TERGI P185	2,00	20/05/2004	09/06/2011	--
0027	LAFN08993		ARM PORTARUOTA TERGI P185	2,00	10/06/2011		--
0028	LAFN04150	SL07640	PIN BRACCIO RUOTA TERGI P185	2,00	20/05/2004		--
0029	VTAE48552	1105408	CIRCLIP ESTERNO DIN 471 D.6	4,00	20/05/2004		--
0030	VTVR00534		Squeegee Handwheel	2,00			--
0031	RTRT00303	SL08064	WHEEL PORTA TERGI P185	2,00	20/05/2004	14/09/2014	--
0031	RTRT00518		WHEEL CASTOR D.80X30	2,00	15/09/2014		--
0032	LAFN04135	SL07627	REGISTER CAMPANATURA TERGI	1,00	20/05/2004		--
0033	VTDD00176	SL05092	NUT M.12 INOX A2 BASSO AUTOB.	2,00	20/05/2004		--
0034	LAFN04136	SL07628	KNOB REGISTRO TERGI	2,00	20/05/2004		--
0035	LAFN04124	SL07617	BLOCK SNODO PARAL ORIZ	1,00	20/05/2004		--
0036	LAFN04158	SL07648	SPACER PARALL.LATER.TERGI P185	1,00	20/05/2004		--
0037	CMCV00314	SL22006	FORK M.10 CPL.CLIP	1,00			--
0038	VTDD00154	SL05054	NUT M.10 INOX A2	1,00			--



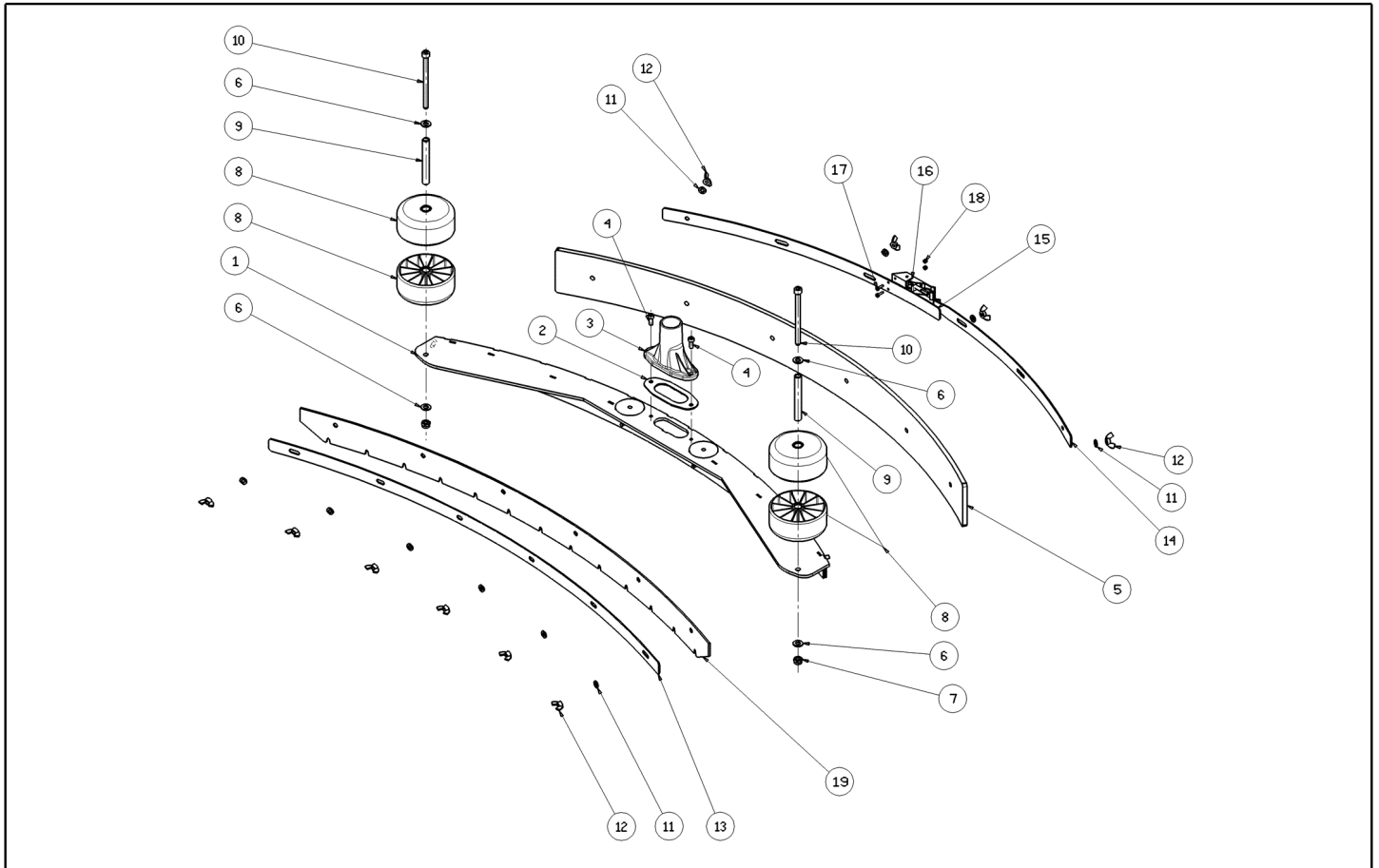
Ref. K	Part n.	Customer part n.	Description	Quantity	Validity		Price
					From	To	
0039	VTVT00876	SL04397	SCREW TCEI M.8-16	8,00	26/04/2005		--
0040	RTRT00301	SL08062	WHEEL REAR D.306 4.00-4 CT160	2,00			--
0041	LAFN04144	SL07636	WASHER RUOTE POSTERIORI	2,00			--
0042	VTVT13936	SL04412	SCREW TE M 10X 20	2,00			--
0043	VTVR00226	SL11118	SPLIT PIN ELASTICA D2	1,00	20/05/2004		--
0044	MLML00241	SL13146	SPRING TESTATA SPAZZOLA P185	2,00			--
0045	MLML00243	SL13148	SPRING PRESSIONE TERGI P185	2,00	20/05/2004	29/05/2006	--
0045	MLML00022	22051019	SPRING GANCIO ARPIONE	2,00	30/05/2006		--
0046	MLML00242	SL13147	SPRING LIVELLAMENTO TERGI P185	2,00	20/05/2004		--
0047	S LAFN05766	SL39235	SUPPORT PEDALE CPL	1,00			--
0048	S LAFN05767	SL39236	ASSEMBLED PEDALE FRENO	1,00			--
0049	S LAFN51019	SL39440	PEDALE BLOCCO	1,00			--
0050	S LAFN04142	SL07634	PIN PEDALE FRENO	1,00			--
0051	VTRS15958	1105808	WASHER UNI 6592 5X15X1,5 ZB	1,00			--
0052	VTDD15517	SL05043	NUT M 5 INX	1,00			--
0053	MTCR47037	1155001	JOINT 3/8 PER CATENA TK 1000	1,00			--
0054	S LAFN05769	SL39238	BALANCER PER CAVI FRENO	1,00			--
0055	S CMCV00311	SL14375	CABLE FRENO SX	1,00			--
0056	S CMCV00310	SL14374	CABLE FRENO DX	1,00			--
0057	VTVT01351		SCREW M8-20 INOX A2 -70	2,00			--
0058	S MPVR45096	13201007	PEDAL COVER GRANDE V1021	1,00			--
0059	S MLML00237	SL13142	SPRING RICHIAMO PEDALE B.F. P185	1,00			--
0060	MECI44780	1380067	MICROSWITCH IP67 OMRON D2VW-5L2A-1M	1,00			--
0061	LAFN04121	SL07614	PIN MOLLE A TAZZA	2,00		27/02/2012	--
0061	LAFN07939		PLATE XS	2,00	28/02/2012		--
0062	LAFN04137	SL07629	CONTAINER MOLLE A TAZZA	1,00			--
0063	MLML00245	SL13150	SPRING A TAZZA	12,00			--
0064	VTAE13513	SL11133	CIRCLIP D. 26 UNI 7437	2,00			--
0065	CHVR00500		HANDLE A RIPRESA M8x40	2,00		27/02/2012	--
0065	VTVR00047	1320099	HANDWHEEL D.50 M8	2,00	28/02/2012		--
0066	RTRT45090	1250073	BRAKE PORTACEPPO D.125 TK1400	2,00	17/05/2004		--
0067	LAFN05792	SL39261	ASSEMBLED ASSALE POSTERIORE	1,00		17/07/2012	--
0067	LAFN07957		AXLE CT160	1,00	18/07/2012		--
0068	VTDD00151	SL05050	NUT M.10	1,00	16/03/2005		--
0069	LAFN06275		TUBE ROLL BAR POSTER.CLT160	1,00			--
0070	VTVT15916	SL04203	SCREW TE M 8X 16 UNI 5739 A2	4,00			--
0071	LAFN04157	SL07647	BUSHING SNODO FINALE	2,00	20/05/2004		--
0072	VTVT00307	75205	SCREW TCEI M10X30	4,00	20/05/2004		--
0073	LAFN06819		ROD AMMORTIZZATORE TERGI	1,00	16/03/2005		--
0074	LAFN06818		CLAMP MOLLA AMMORTIZZATORE	2,00	16/03/2005		--
0075	MLML00290		SPRING AMMORTIZZATORE TERGI	1,00	16/03/2005		--
0076	VTAE47053	1105557	SCREW TE UNI 5737 6X100 ZB	1,00	16/03/2005		--
0077	LAFN06817		TUBE AMMORTIZZATORE	1,00	16/03/2005		--
0078	VTVT01549		SCREW TE M10-40	1,00	16/03/2005		--



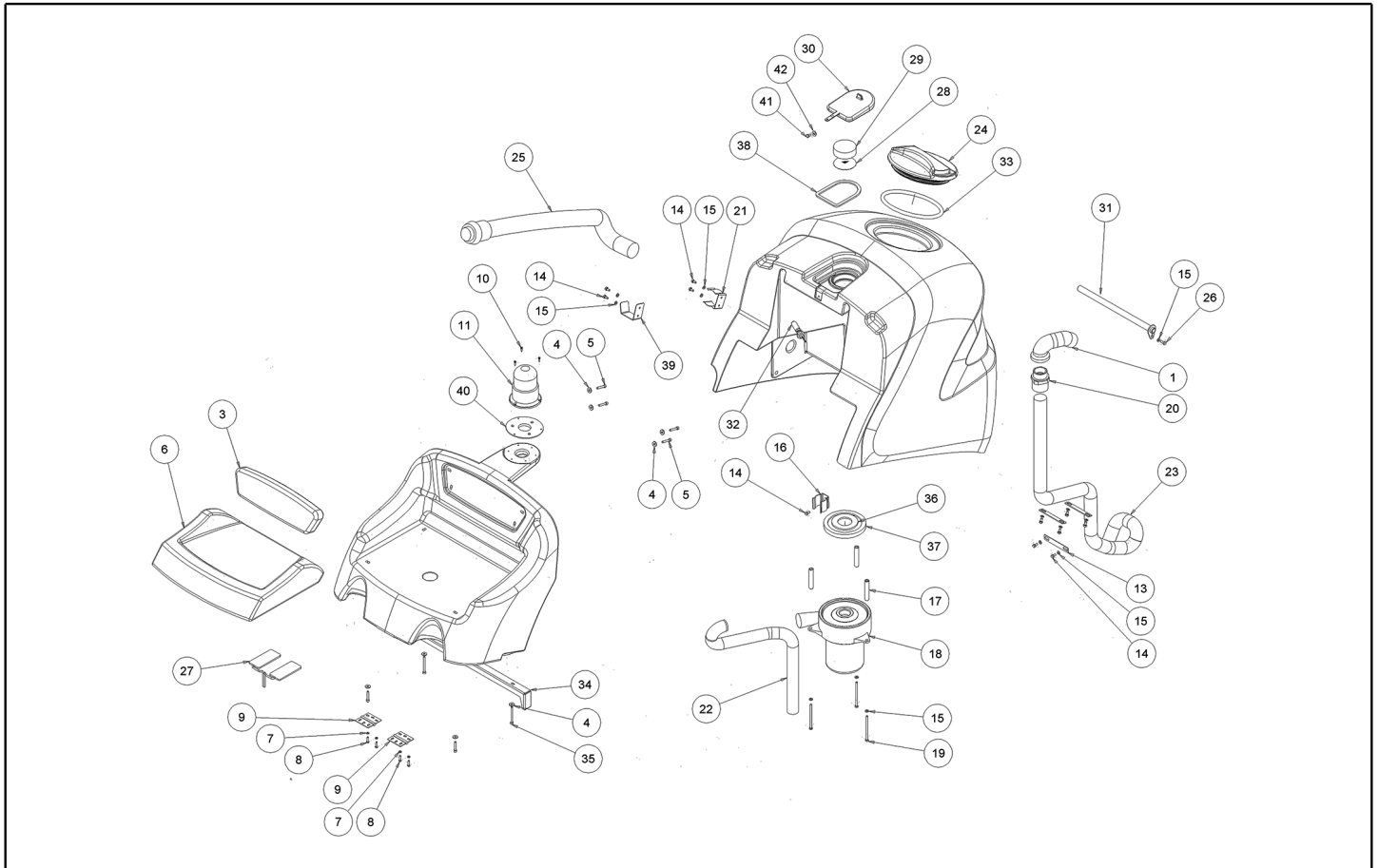
Ref. K	Part n.	Customer part n.	Description	Quantity	Validity		Price
					From	To	
0079	VTVT01314		SCREW TCEI M6 X 12 INOX	1,00	16/03/2005		--
0080	ABGO00042		VIBRATION DAMP. REGOLAZIONE TERGI CLT160	2,00	15/06/2005		--
0081	VTDD21115	SL05019	NUT M 3 INOX	2,00			--
0082	VTRS21116	SL06009	WASHER D. 3 INX	4,00			--
0083	VTVT01350		SCREW M3-20 INOX	2,00			--
0084	VTVT00433		SCREW TE M 6X 30 UNI 5739 INX	1,00	02/05/2005		--
0085	VTAE14096	1105412	SEEGER ESTERNO DIN 471 D.8	1,00			--
0086	MLML00239	SL13144	SPRING PER RUOTE TERGI P185	2,00	20/05/2004		--
0087	CMCV00007	11051102	CLIP X FORCELLA UNI 1676 M10	1,00			--
0088	VTRS00250	SL06029	WASHER D.14	1,00	21/05/2009		--
0089	MPVR00011	1110012	BUSHING GLYCODUR GLY.PG 10-12-20F	3,00	21/05/2009		--
0090	MPVR05638		BUSHING GLYCODUR GLY.PG 10-12-20F	1,00	22/06/2009		--
0091	VTVT01198		SCREW TCEI M8X70	2,00	28/02/2012		--
0092	VTDD01695	SL05039	NUT M 8 INX	2,00	18/07/2012		--
0093	VTVT01148		SCREW TCEI M8X70	2,00	18/07/2012	14/06/2015	--
0093	VTVT01701		STUD BOLT M8X90	2,00	15/06/2015		--
0094	KTRI02079		SQEEGEE KNOB ASSEMBLY	1,00			--



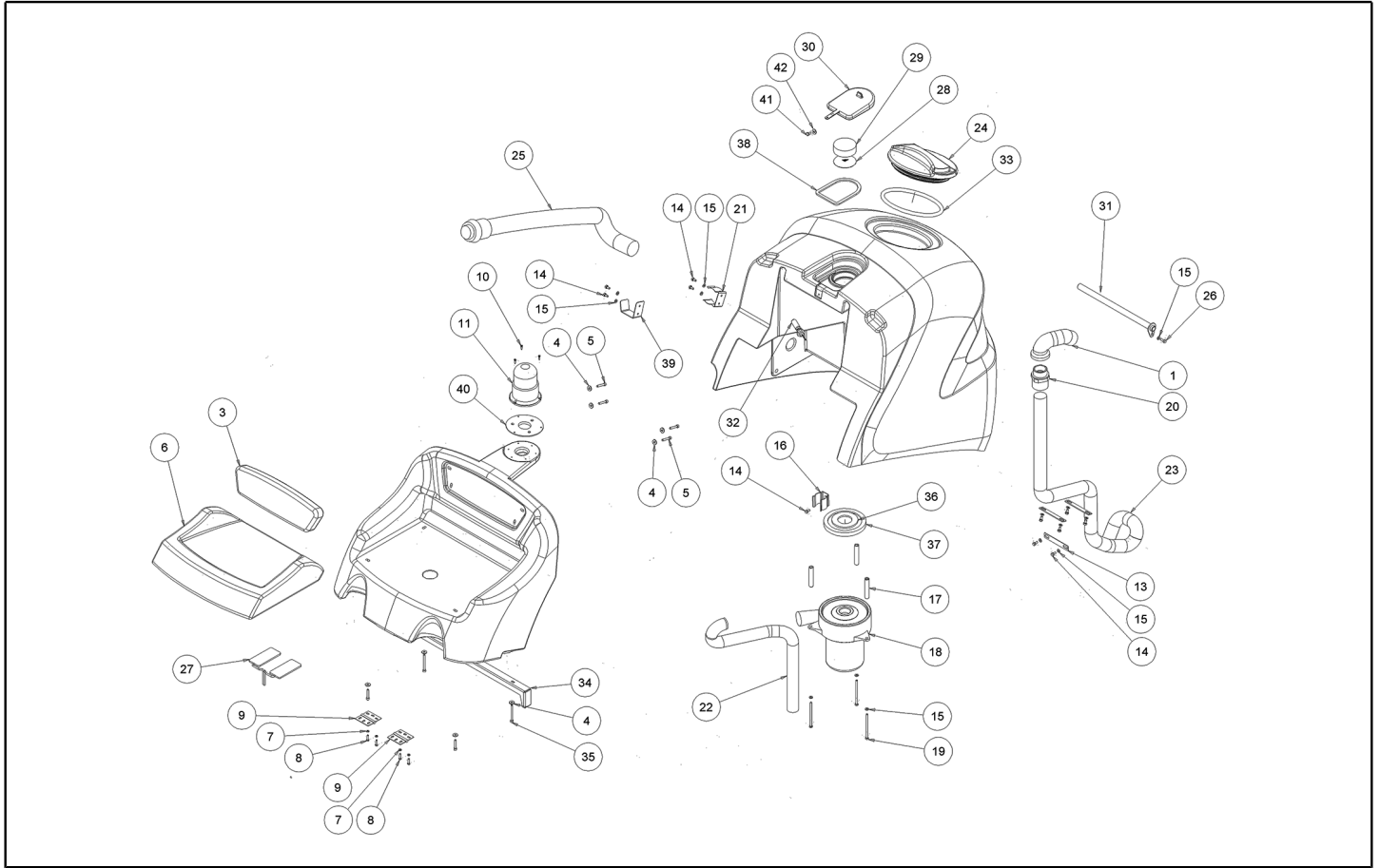
Ref. Part n.	Cust. part n.	Description	Reference	Price
PMVR01131		BRAKE CLEANTIME 160 COMPLETO	0047 0048 0049 0050 0054 0055 0056 0058 0059	--



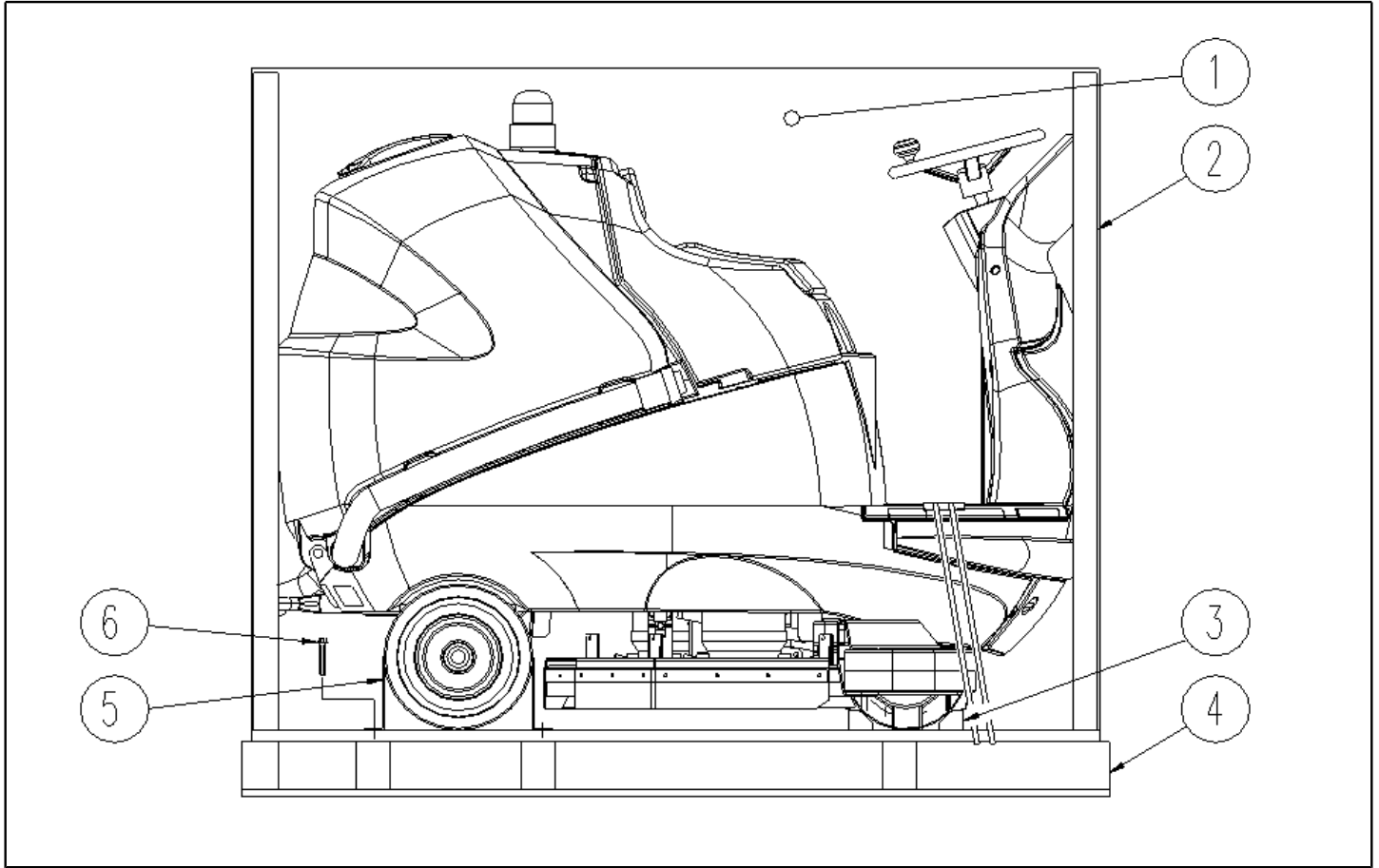
Ref. K	Part n.	Customer part n.	Description	Quantity	Validity		Price
					From	To	
0001	LAFN05773	SL39242	ASSEMBLED TERGITORE 850	1,00			--
0002	GUGO06700	SL03663	GASKET SQUEEGEE	1,00			--
0003	MPVR04626	SL17659	SLEEVE PVC D. 36 MIR.	1,00			--
0004	VTVT00717	SL04172	SCREW TCEI M. 6-16	2,00			--
0005	MPVR02832	SL03619G	BLADE SQUEEGEE REAR CT160-85	1,00	01/06/2004	10/11/2014	--
0005	MPVR05883		BLADE REAR CT160BT85 LATEX	1,00	11/11/2014		--
0006	VTRS13947	75373	WASHER D. 8 INX UNI 6592	4,00			--
0007	VTDD01695	SL05039	NUT M 8 INX	2,00	02/06/2005		--
0008	MPVR02894	SL07625	ROLLER PARACOLPI	4,00		10/04/2008	--
0008	MPVR05295		WHEEL PARACOLPI	4,00	11/04/2008		--
0009	LAFN04127	SL07620	PIN RULLO PARACOLPI	2,00			--
0010	VTVT67560	SL04422	SCREW TCEI M8X110 INOX AISI 304	2,00			--
0011	VTRS00245	SL06022	WASHER D.6 UNI 6592 INOX	10,00			--
0012	VTDD00171	SL05084	NUT M6 INOX	10,00			--
0013	LAFN05770	SL39239	SHEET METAL PA. FISSA FLAP ANTERIORE	1,00			--
0014	LAFN05771	SL39240	SHEET METAL PA. FISSA FLAP POST.GANCIO	1,00			--
0015	LAFN05772	SL39241	SHEET METAL PA. FLAP POST PORTA GANCIO	1,00			--
0016	CHVR00050		CLOSURE A LEVA + GANCIO CLT 160	1,00	30/07/2004		--
0017	VTVT00722	SL04179	SCREW	2,00	06/05/2005		--
0018	VTDD21115	SL05019	NUT M 3 INOX	2,00	06/05/2005		--
0019	MPVR02830	SL03618	BLADE SQUEEGEE ANTERIORE P185	1,00			--



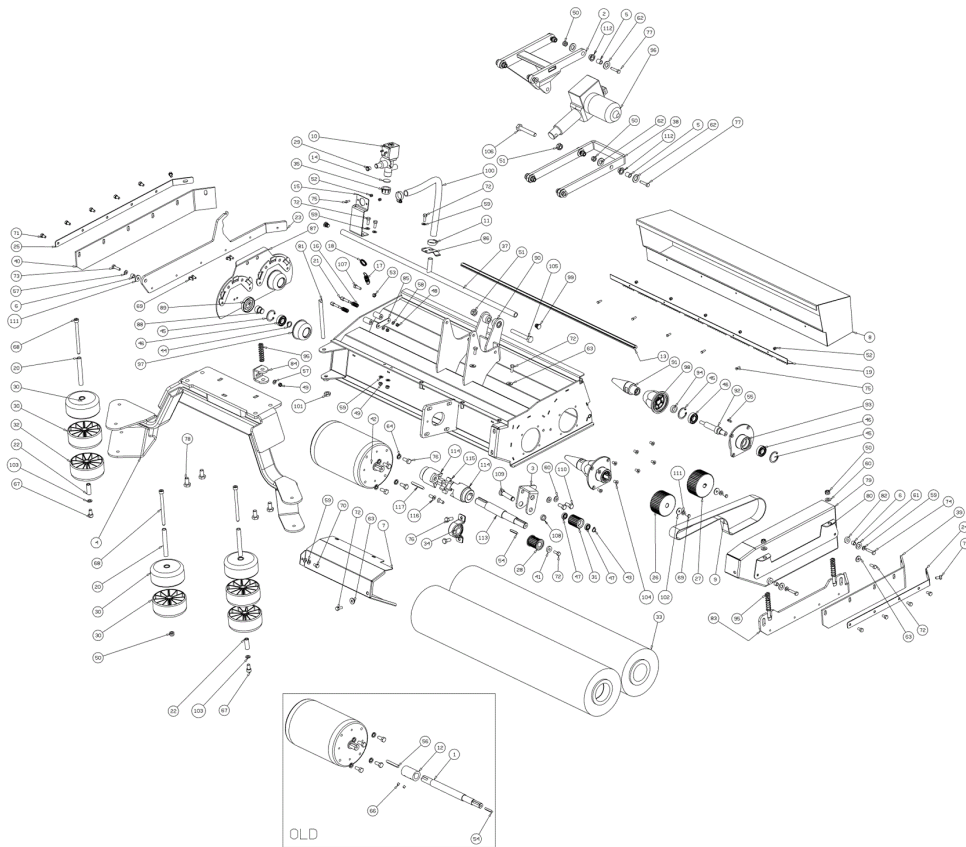
Ref. K	Part n.	Customer part n.	Description	Quantity	Validity		Price
					From	To	
0001	PMVR02010		ASSEMBLED CURVA ASP.	1,00			--
0003	SESD00020	SL14371	BACKREST CLEANTIME	1,00			--
0004	VTRS86634	1105324	WASHER UNI 6593 6X18X1,5 ZB	9,00			--
0005	VTVT00729	SL04194	SCREW TCEI M. 6-35	6,00			--
0006	SESD00021	SL14372	SEAT	1,00			--
0007	VTRS00502	05117	WASHER D. 5 0.466 UNI 6592	4,00			--
0008	VTVT00306	75200	SCREW TSPEI M5x12 UNI5933	4,00			--
0009	CEVR00060	SL14379	HINGE PORTA SEDILE P185	2,00			--
0010	VTVT00752	SL04223	SCREW TC+ M.4,8-19	3,00			--
0011	MELF00040	SL53058	FLASHING LIGHT	1,00		26/11/2013	--
0011	MEVR01672		LAMP -	1,00		26/11/2013	--
0011	MELF00053		LAMP -	1,00	27/11/2013		--
0013	LAFN05829	SL39297	PLATE FERMA TUBO ASPIRAZIONE	3,00			--
0014	VTVT15906	SL04180	SCREW TE 6X 12 A2 UNI 5739	11,00			--
0015	VTRS00245	SL06022	WASHER D.6 UNI 6592 INOX	14,00			--
0016	MPVR46988	SL13118	CLIP LAV. SHK	1,00			--
0017	LAFN04171	SL07663	SPACER ASPIRATORE P185	3,00			--
0018	MOCC00252	SL02451-Q	MOTOR ASPIR.TRIS.36V	1,00			--
0019	VTVT00888	SL04414	SCREW TE M.6-100	3,00			--
0020	RCDS00024		CONNECTOR PORTAGOMMA 1*1/2	1,00			--
0021	FSVR44166	SL13045	HOSE CLIP D.50	1,00			--
0022	PMVR01141		TUBE USCITA ARIA DA ASPIRATORE	1,00			--
0023	KTRI04700		KIT REPLACEMENT TBFX00280	1,00			--
0024	MPVR04051	SL17611	TANK CAP	1,00			--
0025	PMVR01052	GR19271	GROUP TUBO TIGRATO	1,00		15/11/2007	--
0025	TBBP00439		TUBE D.60	1,00	16/11/2007	20/09/2012	--
0025	TBBP00485		TUBE DRAIN PU CT160	1,00	21/09/2012		--
0026	VTVT15143	SL04135	SCREW TE 6X16 UNI5739	1,00			--
0027	MEVR00148	1180066	SWITCH SEAT SENSOR	1,00			--
0028	LAFN05830	SL39298	NET FERMA FILTRO INOX	1,00			--
0029	FTDP00130	SL03624	FILTER SERB. RECUPERO P185	1,00			--
0030	MPVR04100	SL17638	CAP ASPIRAZIONE P185	1,00			--
0031	LAFN05805	SL39273		1,00			--
0032	MECI00338	SL53063	SENSOR DI LIVELLO ORIZZONTALE	1,00		31/05/2006	--
0032	MECI00400		SENSOR DI LIVELLO ORIZZONTALE	1,00	01/06/2006	01/01/2009	--
0032	MECI00516		SENSOR DI LIVELLO ORIZZONTALE	1,00	02/01/2009		--
0033	GUGO00263	SL03612	GASKET CIRCOLARE TAPPO	1,00			--
0034	LAFN06824		SPACER CUSCINETTI ALB.SPAAZ.CENT.	1,00			--
0035	VTVT17342	SL04058	SCREW TE M 6X 60 UNI 5739 INX	1,00			--
0036	GUGO31051	SL03033	GASKET LAV.	1,00			--
0037	GUGO30649	SL03159	GASKET LAV.DW.	1,00			--
0038	GUGO00306		GASKET TENUTA TAPPO	1,00			--
0039	KTRI01952		KIT -	1,00			--
0040	MPVR06103		BRACKET -	1,00	27/11/2013		--



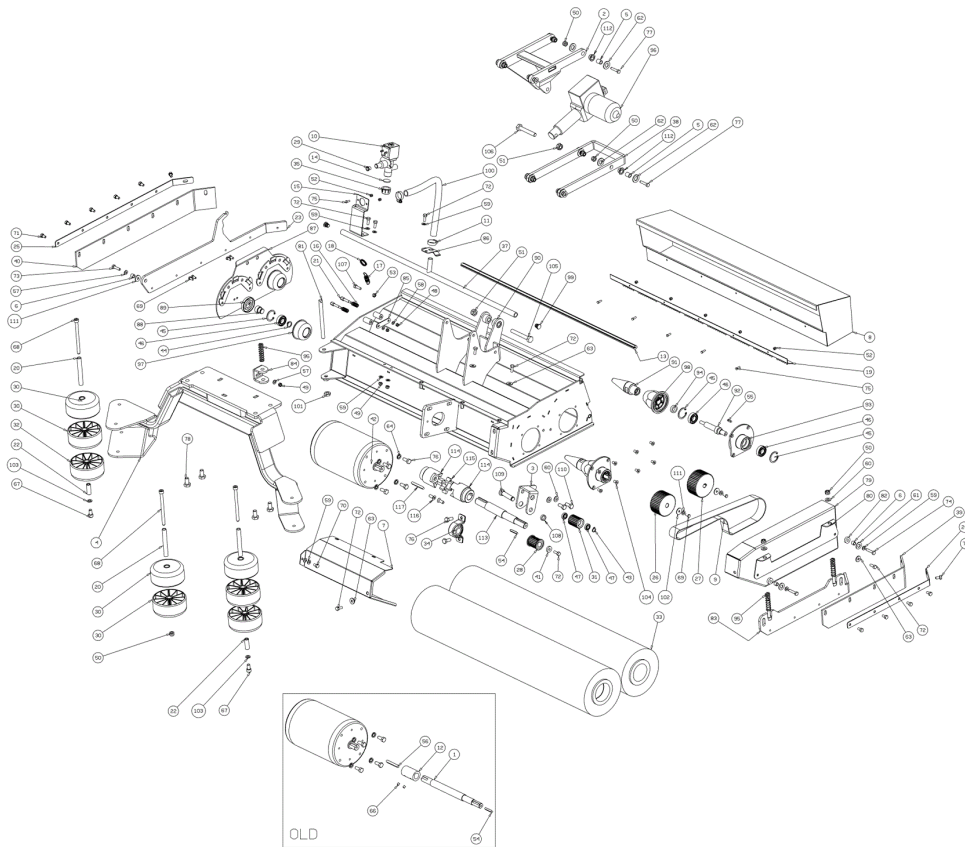
Ref. K	Part n.	Customer part n.	Description	Quantity	Validity		Price
					From	To	
0041	VTVT00678	SL04101	SCREW	1,00			--
0042	VTRS15523	11051234	WASHER D.10 X21 INOX UNI 6592	1,00			--



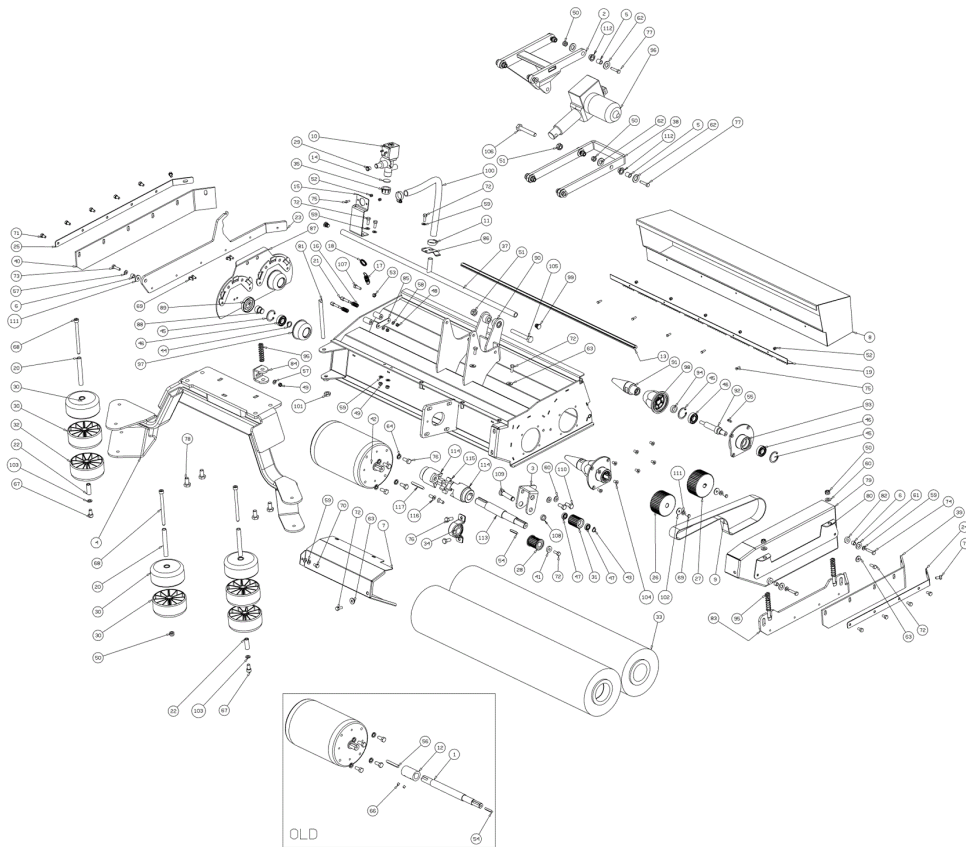
Ref. K	Part n.	Customer part n.	Description	Quantity	Validity		Price
					From	To	
0001	MICT00029	6910042		1,00			--
0002	MIVR00023	6912037		4,00			--
0003	MIVR00065	SL26018	LATH PER BLOCC. RUOT. 450/530	2,00			--
0004	MIBA00013	6910041		1,00			--
0005	LAFN05876	SL39347	BRACKET	2,00			--
0006	VTVT00770	SL04249	SCREW TE AUTOF. 8X50	4,00			--



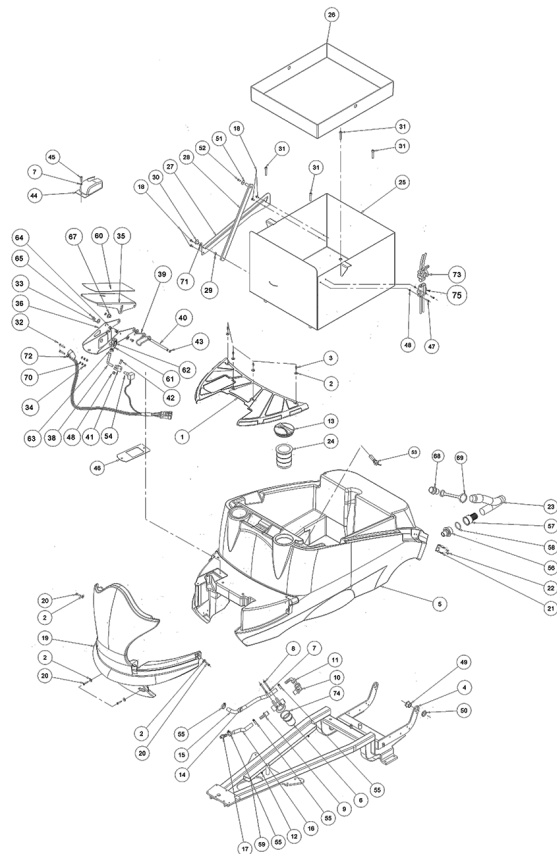
Ref. K	Part n.	Customer part n.	Description	Quantity	Validity		Price
					From	To	
0001	LAFN04178	SL07670	SHAFT PROLUNGA MOTORE P185	1,00		10/09/2012	--
0002	LAFN05879	SL39350	ASSEMBLED BRACCIO SUPP. PARALLEL.	1,00		07/10/2010	--
0002	LAFN08939		BRACKET -	1,00	08/10/2010		--
0003	LAFN06848		SUPPORT TENDICINGHIA	1,00			--
0004	LAFN05924	SL39396	ASSEMBLED ROLL-BAR R750FL	1,00			--
0005	LAFN04151	SL07641	BUSHING X PARALLELOGRAMMA	8,00		07/10/2010	--
0005	LAFN08907		SPACER 12-8	8,00	08/10/2010		--
0006	LAFN04184	SL07676	BUSHING P185 ROLL.	3,00			--
0007	LAFN05891	SL39362	CRANKCASE ALBERO MOTORE P185	1,00			--
0008	LAFN05886	SL39357	DRAWER TESTATA A RULLI METALL.	1,00			--
0009	MTCG87404	SL16048	BELT DENT.835 RPP5DD 32MM	1,00			--
0010	MEEV00021	SL18421	SOLENOID VALVE RIF. D160SS10/K/20Z	1,00		10/10/2011	--
0010	MEEV00043		SOLENOID VALVE	1,00	11/10/2011		--
0011	FSVR00091	SL14036	CLAMP 14-24	2,00			--
0012	LAFN04177	SL07669	JOINT ALBERO MOTORE P185	1,00		10/09/2012	--
0013	MPVR04922		GASKET CASSETTO	1,00			--
0014	GUGO00268	SL03630	GASKET D.21 SP.3 GOMMA	1,00		10/10/2011	--
0015	LAFN05835	SL39303	BRACKET PORTAELETTROVALVOLA	1,00			--
0016	MLML00248	SL13153	SPRING A COMPRESS. P185	2,00			--
0017	MLML00291		SPRING FLAP LATERALE DX TESTATA	1,00			--
0018	MLML00292		EYELET SPRING FLAP LAT. DX TEST.	1,00			--
0019	LAFN05887	SL39358	BULKWARD CASSETTO P185	1,00			--
0020	LAFN04127	SL07620	PIN RULLO PARACOLPI	3,00			--
0021	LAFN04180	SL07672	PIN CHIAVIST.PORTELLO P185	2,00			--
0022	LAFN06472		PIN RUOTA	2,00			--
0023	LAFN05881	SL39352	PLATE PORTAFLAP DX TESTATA P185	1,00			--
0024	LAFN05882	SL39353	PLATE FISSA FLAP SX TESTATA	1,00			--
0025	LAFN05883	SL39354	PLATE FISSA FLAP DX	1,00			--
0026	MTPL00152	SL10099	PULLEY RULLO SPAZZOLA ANTER.P185	1,00			--
0027	MTPL00153	SL10100	PULLEY RULLO SPAZZOLA	1,00			--
0028	MTPL00154	SL10101	PULLEY MOTORE TESTATA P185	1,00			--
0029	MPVR02897	SL07683	REDUCTION D.10-6.5 PER ELETTROVALV.	1,00			--
0030	RTRT00510		WHEEL ANTIRIBALTAMENTO	6,00			--
0031	MTPL00193		ROLLER Z26	1,00			--
0032	RTRT00502		WHEEL ANTIRIBALTAMENTO	2,00		10/04/2008	--
0032	RTRT00510		WHEEL ANTIRIBALTAMENTO	2,00	11/04/2008		--
0033	SPPV00457	AL04150	ROLLER PP.0.5 SPAZZ. RULLI CLT160	2,00		20/05/2014	--
0033	SPPV01286		BRUSH ROLLER 150X50 PPL RED 0.4	2,00	21/05/2014		--
0034	CUVR00170		BALL BEARING SBPP 203	1,00			--
0035	RCVR00353	SL14382	CAP 1/2" G X ELETTROV. ACL	1,00		10/10/2011	--
0037	LAFN05885	SL39356	TUBE DISTRIB. DETERGENTE P185	1,00			--
0038	LAFN05782	SL39251	ARM SUP./INF	1,00		07/10/2010	--
0038	LAFN08912		ARM SUP./INF.	1,00	08/10/2010		--
0039	MPVR02846	SL03644	FLAP LATERALE DX TESTATA	1,00			--



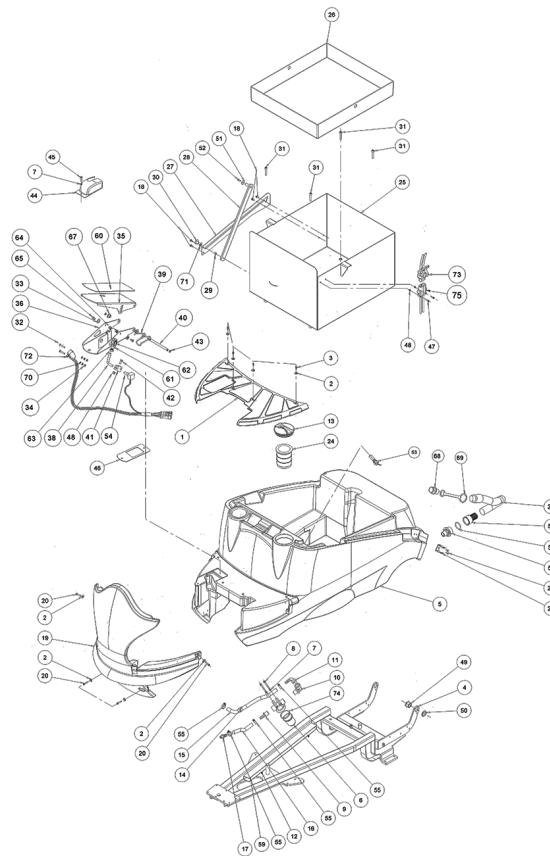
Ref. K	Part n.	Customer part n.	Description	Quantity	Validity		Price
					From	To	
0040	MPVR02845	SL03643	FLAP LATERALE SX TESTATA	1,00			--
0041	LAFN04179	SL07671	WASHER FISSA PULEGGIA P185	1,00			--
0042	MOCC00166	MP02460	MOTOR TEST.ROLL.P185	1,00			--
0042	MEVR33562	RP33562	CARBON 10X18X18 400W 12V	4,00			--
0042	MOCC00024	1380147	BAND CHIUSURA CARB.+CLIP X MOT	1,00			--
0043	VTAE13511	SL11014	CIRCLIP D. 10 UNI 7435	1,00			--
0044	VTAE17003	1105405	CIRCLIP ESTERNO DIN 471 D.15	2,00			--
0045	VTAE32478	RP32478	CIRCLIP D. 32 UNI 7437	6,00			--
0046	CUVR00164		BEARING 6002RS -SKF-	6,00			--
0047	CUVR29964	70014	BALL BEARING 6000-2RS1	2,00			--
0048	VTDD00017	1105783	NUT AUTOBLOK DIN 985 M5	2,00			--
0049	VTDD00010	1105133	NUT AUTOBLOK DIN 985 M6 BASSO	3,00			--
0050	VTDD01695	SL05039	NUT M 8 INX	11,00			--
0051	VTDD10310		NUT AUTOBL.M10 INOX DIN 985	2,00			--
0052	VTDD00009	1105132	NUT AUTOBLOK DIN 985 M4 BASSO	7,00			--
0053	VTDD00053	75386	NUT M6 INOX UNI5589	1,00			--
0054	VTVR13164	1105460	KEY UNI 6604 5X5X30	1,00			--
0055	VTVR62776		KEY M4X4X16 UNI 6604	2,00		10/03/2014	--
0055	VTVR00572		KEY 4X4X20	2,00	11/03/2014		--
0056	VTVR00301		KEY 6X6X50	1,00		10/09/2012	--
0057	VTRS00503	05118	WASHER D. 6 TE UNI 6798	2,00			--
0058	VTRS00240	SL06016		2,00			--
0059	VTRS00503	05118	WASHER D. 6 TE UNI 6798	8,00			--
0060	VTRS13947	75373	WASHER D. 8 INX UNI 6592	20,00			--
0061	VTRS15523	11051234	WASHER D.10 X21 INOX UNI 6592	2,00			--
0062	VTRS15978		WASHER D.12X24 UNI 6592 INX	12,00		07/10/2010	--
0062	VTRS00376		WASHER 15x21	4,00	08/10/2010		--
0063	VTRS13945	SL06039	WASHER D. 6X18 INX UNI 6593	4,00			--
0064	VTRS00269	SL06057	WASHER D. 8 DIN 6798-A INX A2	4,00			--
0066	VTVT01301		GRUB SCREW M 6 X 6 UNI 5929	2,00		10/09/2012	--
0067	VTVT00876	SL04397	SCREW TCEI M.8-16	2,00			--
0068	VTVT67560	SL04422	SCREW TCEI M8X110 INOX AISI 304	3,00			--
0069	VTVT01300		SCREW TE M5X12 INOX	6,00			--
0070	VTVT01303		SCREW TE M6-10 INOX	1,00			--
0071	VTVT15906	SL04180	SCREW TE 6X 12 A2 UNI 5739	11,00			--
0072	VTVT15143	SL04135	SCREW TE 6X16 UNI5739	8,00			--
0073	VTVT15141	05245	SCREW TE M 6X 25 UNI 5739 INX	1,00			--
0074	VTVT00433		SCREW TE M 6X 30 UNI 5739 INX	2,00			--
0075	VTVT00817	SL04323	SCREW TE M4x12 UNI 5739 INOX	7,00			--
0076	VTVT13938	75362	SCREW TE 8X20 UNI5739 INX	8,00			--
0077	VTVT00410	SL04127	SCREW TE M8x35 UNI5739 INOX	8,00			--
0078	VTVT13936	SL04412	SCREW TE M 10X 20	4,00			--
0079	LAFN06393		CRANKCASE TRASMISSIONE P185	1,00			--
0080	LAFN06394		PLATE REAZIONE FLAP SX	1,00			--



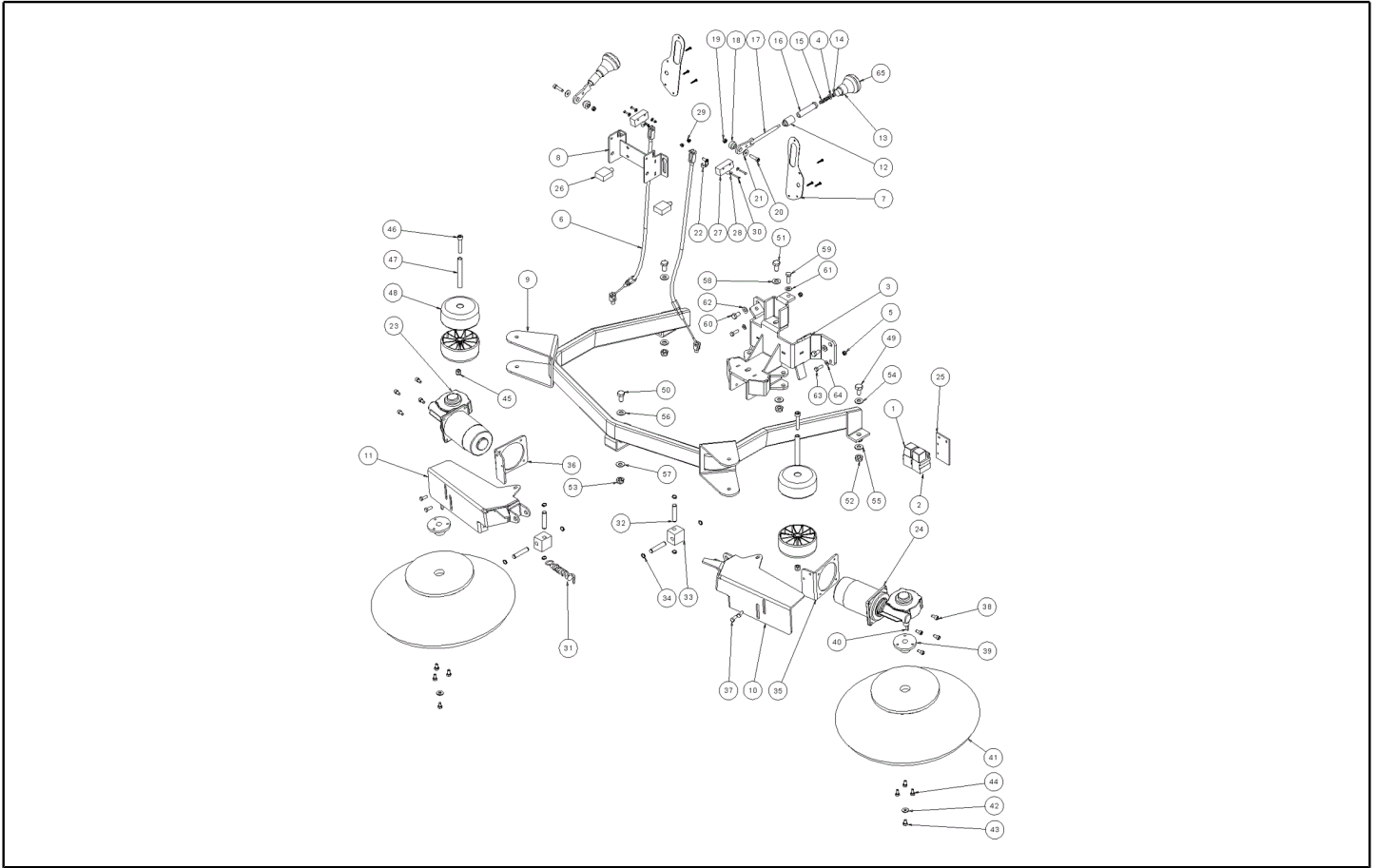
Ref. K	Part n.	Customer part n.	Description	Quantity	Validity		Price
					From	To	
0081	LAFN06395		PIN REGISTRO FLAP DX	1,00			--
0082	LAFN06396		SPACER FLAP SX	2,00			--
0083	LAFN06397		DOOR FLAP SX COMPLETO	1,00			--
0084	LAFN07033		BRACKET FLAP DX	1,00			--
0085	LAFN07034		SHEET METAL PA. SGANCIO PORTELLO	1,00			--
0086	LAFN07035		BRACKET FERMATUBO DETERGENTE	1,00			--
0087	LAFN09020		DOOR	1,00			--
0088	LAFN09021		PIN SOSTEGNO SPAZZOLA P185	2,00			--
0089	LAFN09022		FLANGE	2,00			--
0090	LAFN09023		FRAME ROLLER BRUSH	1,00			--
0091	LAFN10125		SHAFT INSERIMENTO SPAZZOLE	2,00			--
0092	LAFN10126		SHAFT	2,00			--
0093	LAFN10127		PLATE	2,00			--
0094	LAFN10128		SPACER	2,00			--
0095	MLML00302		SPRING REGISTRAZIONE FLAP	3,00			--
0096	MOCC00231	SL02215		1,00		31/05/2006	--
0096	MOCC00304		ATUATOR TEST.AO1-C 36V	1,00	01/06/2006		--
0097	MPVR04720		ROLLER	2,00			--
0098	MPVR05137		HUB TRASCINATORE SPAZZ. CENT.	2,00			--
0099	MPVR05163		TIE ROD FISSA FILTRO	2,00			--
0100	TBFX48011	MP19205	TUBE FLEX D.12X3 ARMORV.PVC TR	1,00			--
0101	VTDD00008	1105129	NUT M10 UNI 5589 ZB	1,00			--
0102	VTRS00016	1105323	WASHER UNI 6593 5X20X1,5 ZB	2,00			--
0103	VTRS13947	75373	WASHER D. 8 INX UNI 6592	2,00			--
0104	VTVT00678	SL04101	SCREW	8,00			--
0105	VTVT01000		SCREW TE M 10-75 INOX UNI 5737	1,00			--
0106	VTVT01002		SCREW TE M10X65 INOX	1,00		19/03/2007	--
0106	VTVT01367		SCREW TE M.10-55 INOX UNI 5737	1,00	20/03/2007		--
0107	VTVT06237	1105506	SCREW TCCE UNI 5931 6X20 ZB	1,00			--
0108	LAFN06846		SPACER -	1,00			--
0109	LAFN06847		PIN TENDICINGHIA	1,00			--
0110	VTVT00876	SL04397	SCREW TCEI M.8-16	2,00			--
0111	VTRS15908	SL06094	WASHER D. 5 INX GRW UNI 1751	2,00	18/05/2009		--
0112	CUVR00130	SL12072	BEARING STRISCIAMENTO	8,00	08/10/2010		--
0113	LAFN09175		SHAFT -	1,00	11/09/2012		--
0114	FGGT00035		JOINT -	2,00	11/09/2012		--
0115	GUVR75740	1155022	RING	1,00	11/09/2012		--
0116	VTVT00832	SL04339	SCREW TSPEI M6X16 INOX	2,00	11/09/2012		--
0117	VTVR16617		KEY 6X 6X30 UNI 6604	2,00	11/09/2012		--



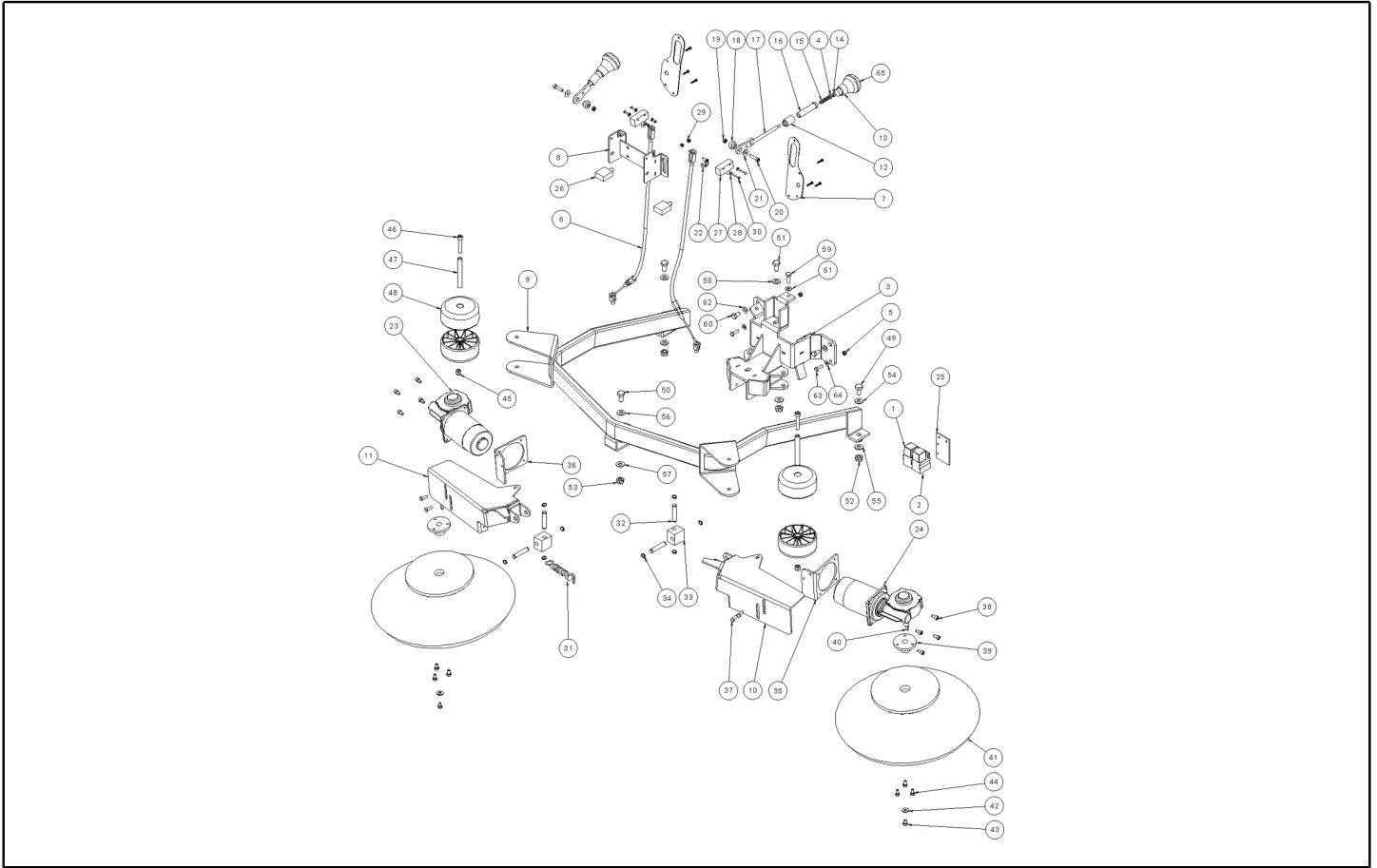
Ref. K	Part n.	Customer part n.	Description	Quantity	Validity		Price
					From	To	
0001	MPVR03002	SL14370	PLANE CLEANTIME	1,00			--
0002	VTRS13945	SL06039	WASHER D. 6X18 INX UNI 6593	8,00			--
0003	VTVT00093	1105785	SCREW TBCE ISO 7380 6X12 ZB	4,00			--
0006	FTAC00038	SL18411	FILTER G1/2 INOX	1,00			--
0007	VTRS00503	05118	WASHER D. 6 TE UNI 6798	2,00			--
0008	VTVT00699	SL04140	SCREW TE M. 6-70	2,00			--
0009	RCVR00540	SL18416	CONNECTOR	1,00			--
0010	RCVR00541	SL18417	CURVED CONNECT. M/F G1/2 COD.126-2022	1,00			--
0011	RCVR00542	SL18418	CURVED CONNECT. M G1/2 PORTAG. 113-2213	1,00			--
0012	VTVT85145	SL04325	SCREW TCB T-CROCE 4,2X9,5 INOX	2,00			--
0013	MPVR04075	SL17625	CAP PONY	1,00			--
0014	FSVR00107	SL14380	CLAMP KSS CABLE CLAMP	1,00			--
0015	TBBP00319	SL19283	TUBE L=350	1,00			--
0016	TBBP00369	SL19402	TUBE ARMONVIN 12X3 L=280 MM	1,00			--
0017	RCVR00547	SL18426	CONNECTOR PORTAG. DIRIT	1,00			--
0018	VTVT15906	SL04180	SCREW TE 6X 12 A2 UNI 5739	5,00			--
0020	VTVT15966		SCREW TCEI M 6X25	4,00			--
0021	MPVR46988	SL13118	CLIP LAV. SHK	1,00			--
0022	VTVT01300		SCREW TE M5X12 INOX	2,00			--
0023	TBFX00208	SL19113-1	TUBE DI SCARICO	1,00			--
0024	FTAC48857	SL03526	FILTER SOLUTION TANK INLET	1,00			--
0025	LAFN51000	SL39414		1,00			--
0026	MPVR04127	SL17654	PLATE CONTENITORE BATTERIE P185	1,00			--
0027	LAFN05807	SL39275	GUIDE PER ASTA SERBATOIO P185	1,00			--
0028	LAFN05803	SL39272	ASSEMBLED ASTA SERBATOIO P185	1,00			--
0029	LAFN04148	SL07639	BUSHING ASTA SERBATOIO P185	1,00			--
0030	LAFN04147	SL07638	SCREW ASTA SERBATOIO P185	1,00		04/11/2010	--
0030	VTVT15916	SL04203	SCREW TE M 8X 16 UNI 5739 A2	1,00	05/11/2010		--
0031	VTVT00889	SL04415	SCREW TCEI M. 8-45	4,00			--
0032	VTVT01350		SCREW M3-20 INOX	2,00			--
0033	MPVR05528		WASHER -	2,00			--
0034	VTDD21115	SL05019	NUT M 3 INOX	4,00			--
0035	LAFN06474		SHEET METAL PA. PEDALE	1,00			--
0036	LAFN07532		BUSHING -	1,00			--
0038	LAFN00909	22621148	BRACKET BIELLETTA PEDALE	1,00			--
0039	MLML00034	22051027	SPRING PEDALE AVANZAMENTO G1050	1,00			--
0040	LAFN00524	22301084	PIN PEDALE TK 1050	1,00			--
0041	LAFN01149	21901018	CONNECTING ROD PEDALE AVANZAMENTO G1050	1,00			--
0042	VTVT00727	SL04189	SCREW TE M. 4-20	2,00			--
0043	VTAE48552	1105408	CIRCLIP ESTERNO DIN 471 D.6	2,00			--
0044	MPVR00302	21201226	CRANKCASE PEDALE AVANZAMENTO	1,00			--
0045	VTVT15143	SL04135	SCREW TE 6X16 UNI5739	1,00			--
0046	LAFN05802	SL39271	FLANGE PEDALE ACCELERATORE P185	1,00			--
0047	VTVT22203		SCREW TCB-TC 4X25 UNI7687	2,00			--



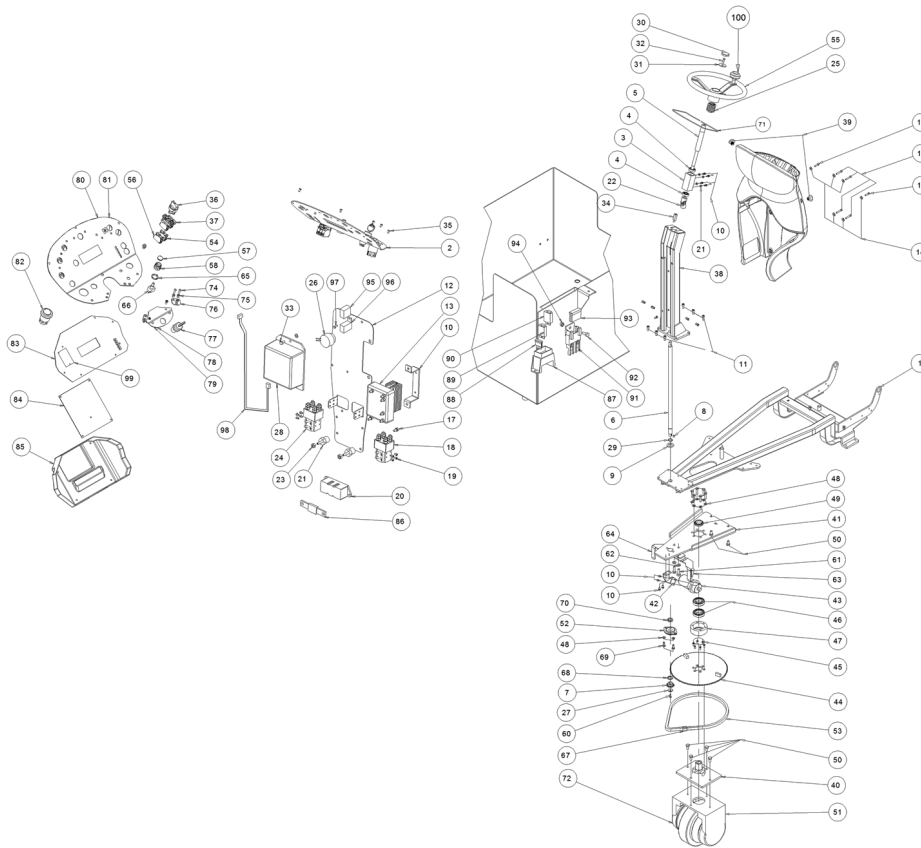
Ref. K	Part n.	Customer part n.	Description	Quantity	Validity		Price
					From	To	
0048	VTDD04369	75259	NUT M 4 TEF UNI 7473	1,00			--
0049	LAFN51079		ECCENTRIC SERB.RECUP.P185	1,00			--
0050	LAFN51080		RING NUT ECCENTR.SERB.RECUP.P185	1,00			--
0051	VTRS13946	SL06025	WASHER D. 8 X24 INX UNI 6593	1,00			--
0052	VTVT00832	SL04339	SCREW TSPEI M6X16 INOX	1,00			--
0053	MEC00516		SENSOR DI LIVELLO ORIZZONTALE	1,00			--
0054	MECB00995		WIRING PEDALE ACCEL.P160	1,00		30/12/2010	--
0054	MECB01227		WIRING ACCELERATOR	1,00	01/01/2011		--
0055	FSVR00091	SL14036	CLAMP 14-24	4,00			--
0056	RCVR00713		REDUCTION MASCHIO/MASCHIO	1,00			--
0057	RCVR00712		CONNECTOR PORTAGOMMA	1,00			--
0058	GUGO00290		GASKET OR (G10052)	1,00			--
0059	MEVR01431	SL53047	GUIDE PVC GRIGIO 25 X 40	1,00			--
0060	MPVR00866	21601070	PLANE ANTISDRUCCIOLO G1050	1,00			--
0061	CMCV76639	11051000	FORK M 6 UNI 1676	1,00			--
0062	CMCV75717	11051100	CLIP UNI 1676 M6	1,00			--
0063	VTDD00482	05096	NUT M 6 ZIN UNI 5588	1,00			--
0064	VTDD04369	75259	NUT M 4 TEF UNI 7473	2,00			--
0065	VTVT00089	1105778	SCREW TCCE UNI 5931 4X10 ZB	2,00			--
0066	MPVR04744		MOUSSE 440X30X20	1,00			--
0067	CUVR00183		BUSHING -	2,00			--
0068	MPVR05064		CAP COMPLETO	1,00			--
0069	MPVR49412	SL03577	CLAMP SHK	1,00			--
0070	VTRS00117	75153	WASHER 3.2X7 UNI6592	2,00			--
0071	VTRS13947	75373	WASHER D. 8 INX UNI 6592	1,00	05/11/2010		--
0072	MECB01228		WIRING -	1,00	01/01/2011		--
0073	MECB00900	SL53075	CABLE BATTERY CONNECTION CT160	1,00			--
0074	GUVR00311		GASKET FTAC00038	1,00			--
0075	MEVR44180	1380086	PLUG FT 80	1,00			--



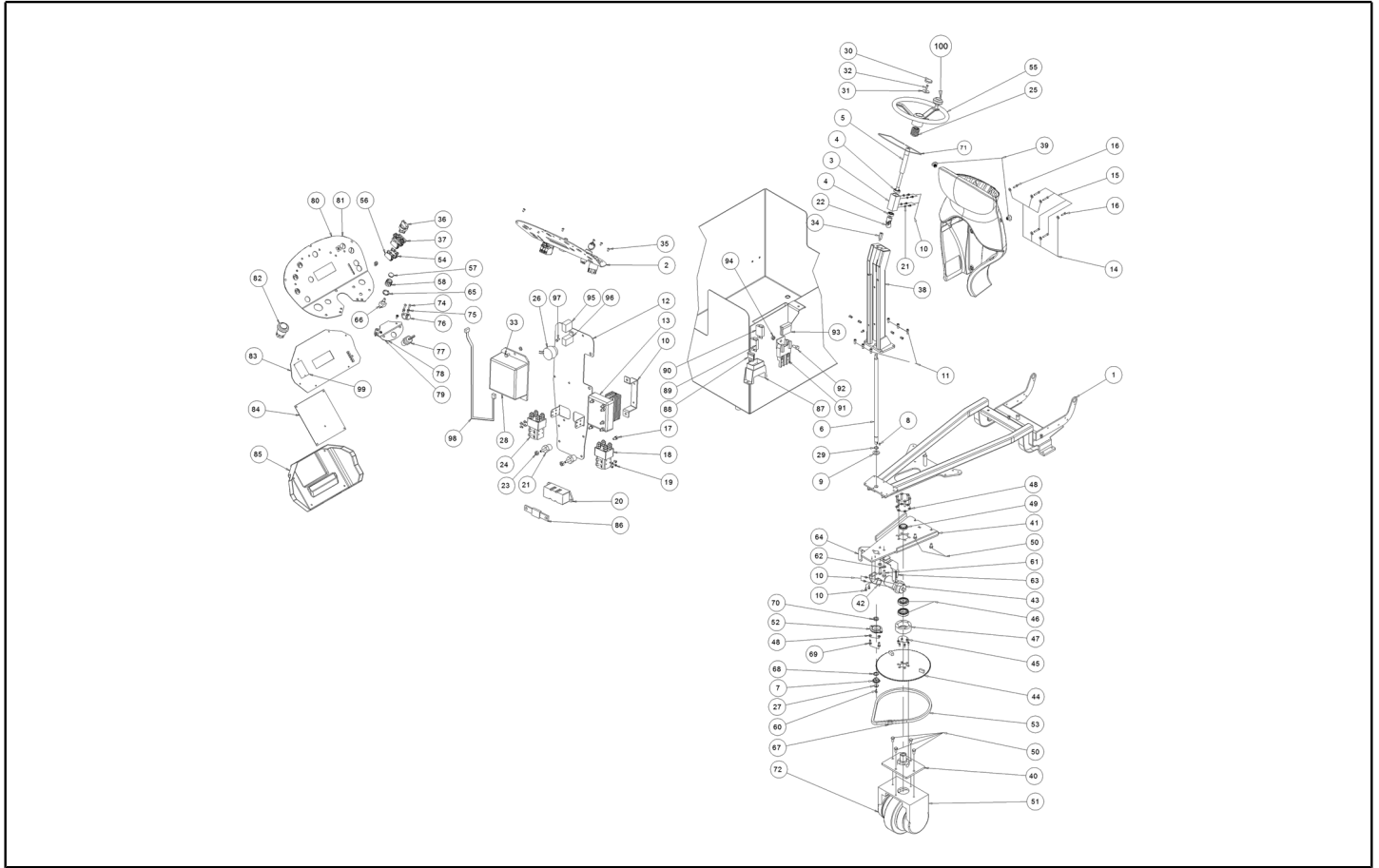
Ref. K	Part n.	Customer part n.	Description	Quantity	Validity		Price
					From	To	
0003	LAFN07594		SUPPORT -	1,00			--
0004	VTRS00502	05117	WASHER D. 5 0.466 UNI 6592	2,00			--
0005	VTDD01694	SL05074	NUT M6 INOX	2,00			--
0006	CMCV00359		CABLE CT160	2,00			--
0007	LAFN07599		COVER -	2,00			--
0008	LAFN07597		BRACKET -	1,00			--
0009	LAFN07598		PROTECTION -	1,00			--
0010	LAFN07596		BRACKET -	1,00			--
0011	LAFN07595		BRACKET -	1,00			--
0012	LAFN07612		BUSHING -	2,00			--
0013	MPVR00868	13201016	KNOB ALZASPAZZOLA LAT.G1050	2,00			--
0014	VTDD00040	75037	NUT M5 UNI7474	2,00			--
0015	MLML00027	22051024	SPRING POMOLO SPAZZ.CENTRALE	2,00			--
0016	LAFN00523	22301083	DOOR MOLLA ALZA SPAZZOLA	2,00			--
0017	LAFN00803	22601312	ARM ALZASPAZZOLA LATER.1050	2,00			--
0018	LAFN00153	21101091	BUSHING LEVA ALZA SPAZ.LAT.ZINC.	2,00			--
0019	VTDD19688	1105137	NUT M6 UNI 7473	2,00			--
0020	VTVT12255	1105516	SCREW TCCE UNI 5931 6X25 ZB	2,00			--
0021	VTRS04026		WASHER D. 6X18X2.38	2,00			--
0022	CMCV00009	11051104	CLIP UNI 1676	2,00			--
0023	MOCC00366		MOTOR -	1,00			--
0024	MOCC00367		MOTOR -	1,00			--
0025	LAFN07613		PLATE -	1,00			--
0026	METT00040	SL23585		2,00			--
0027	MECI75801	1380001	MICROSWITCH A PISTONE (MS/10-Z15GC)	2,00			--
0028	VTRS15959	1105330	WASHER UNI 6593 4X12X1,5 ZB	4,00			--
0029	VTDD00001	1105120	NUT UNI 5588 M3 ZB	2,00			--
0030	VTVT00021	1105071	SCREW TE UNI 5739 3X25 ZB	2,00			--
0031	MLML45102	22051014	SPRING BRACCIO SPAZ.LAT.TK1400	2,00			--
0032	LAFN01148	22301107	PIN SPAZZOLE LATERALI	4,00			--
0033	LAFN00154	21101092	BLOCK BRACCI SPAZ.LAT.TK1050	2,00			--
0034	VTAE87276	1105410	SEEGER EXT. D10 DIN471	8,00			--
0035	LAFN00809	22601319	PLATE PORTASPAZZ.LAT.SX TK1050	1,00			--
0036	LAFN00808	22601318	PLATE PORTASPAZZ.LAT.DX TK1050	1,00			--
0037	VTVT00527		SCREW TE FR 6X10 ZB ZIG.	4,00			--
0038	VTVT09913	1105507	SCREW TCCE UNI 5931 6X16 ZB	8,00			--
0039	LAFN45010	21501005	FLANGE FISS.SPAZZ.LAT.TK1000	2,00			--
0040	VTVR13165	1105467	KEY UNI 6604 5X5X20	2,00			--
0041	SPPV75790	1350023	SIDE-BRUSH LATERALE TK1000 PPL	2,00			--
0042	VTRS63242	1105325	WASHER UNI 6593 6X24X2 ZB	2,00			--
0043	VTVT00527		SCREW TE FR 6X10 ZB ZIG.	2,00			--
0044	VTVT62920	1105162	SCREW TE FR 6X16 ZB ZIGRINATE	6,00			--
0045	VTDD01695	SL05039	NUT M 8 INX	2,00			--
0046	VTVT67560	SL04422	SCREW TCEI M8X110 INOX AISI 304	2,00			--



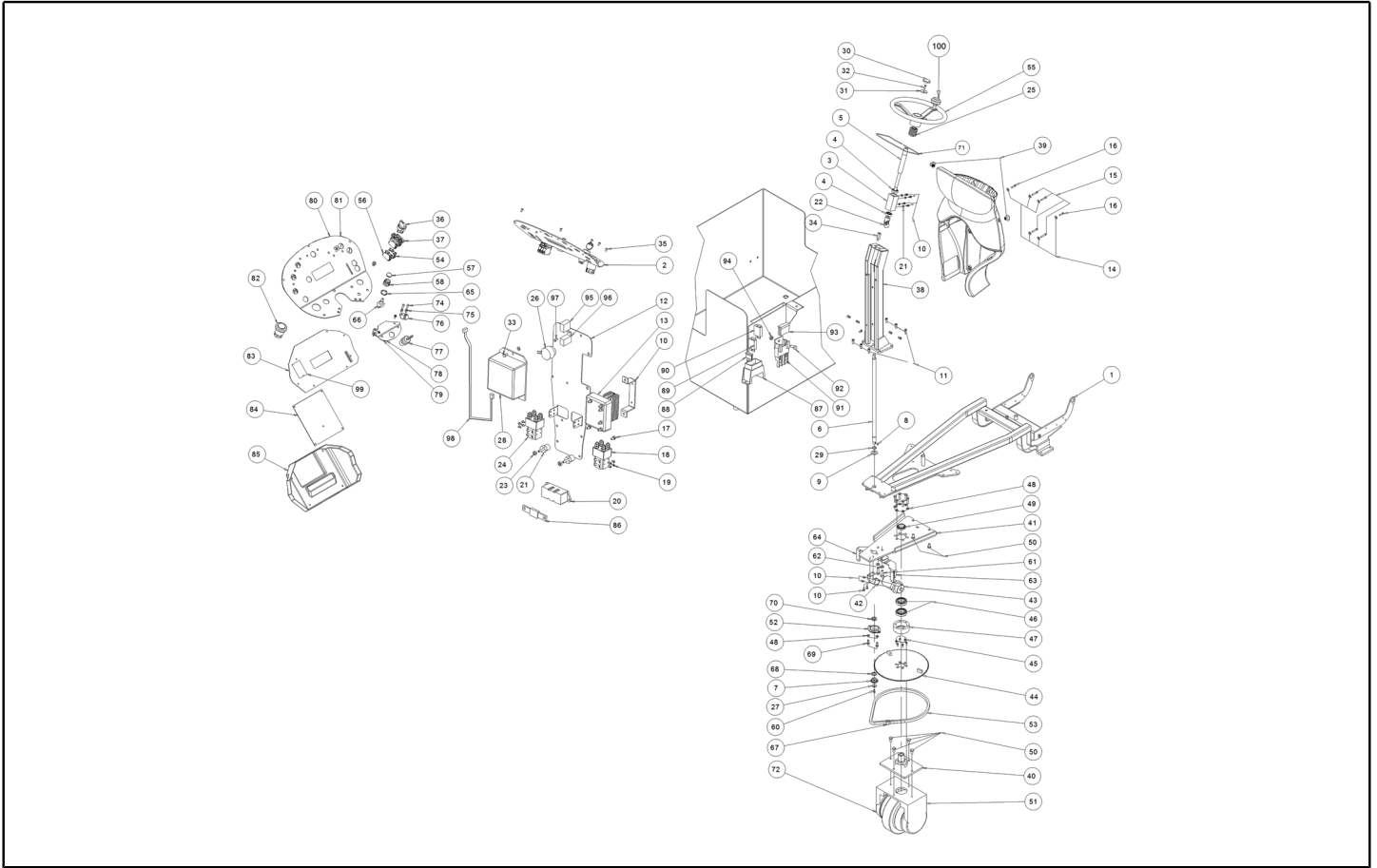
Ref. K	Part n.	Customer part n.	Description	Quantity	Validity		Price
					From	To	
0047	LAFN04127	SL07620	PIN RULLO PARACOLPI	2,00			--
0048	RTRT00510		WHEEL ANTIRIBALTAMENTO	4,00			--
0049	VTVT01541		SCREW TE M 10x30 INOX UNI5739	1,00			--
0050	VTVT01541		SCREW TE M 10x30 INOX UNI5739	1,00			--
0051	VTVT01541		SCREW TE M 10x30 INOX UNI5739	1,00			--
0052	VTDD00042	SL05032	NUT AUT.M10 UNI7474	1,00			--
0053	VTDD00042	SL05032	NUT AUT.M10 UNI7474	1,00			--
0054	VTRS15523	11051234	WASHER D.10 X21 INOX UNI 6592	1,00			--
0055	VTRS15523	11051234	WASHER D.10 X21 INOX UNI 6592	1,00			--
0056	VTRS15523	11051234	WASHER D.10 X21 INOX UNI 6592	1,00			--
0057	VTRS15523	11051234	WASHER D.10 X21 INOX UNI 6592	1,00			--
0058	VTRS15523	11051234	WASHER D.10 X21 INOX UNI 6592	1,00			--
0059	VTVT15907	SL04145	SCREW TE 8X25 UNI5739 INX	1,00			--
0060	VTVT15907	SL04145	SCREW TE 8X25 UNI5739 INX	1,00			--
0061	VTRS13947	75373	WASHER D. 8 INX UNI 6592	1,00			--
0062	VTRS13947	75373	WASHER D. 8 INX UNI 6592	1,00			--
0063	VTVT13939	11051239	SCREW TE 6X20 UNI5739 INX	2,00			--
0064	VTRS07728	75371	WASHER D. 6 INX	2,00			--
0065	MPVR00879	13201017	KNOB ALZASPAZZOLA LAT.G1050	2,00			--



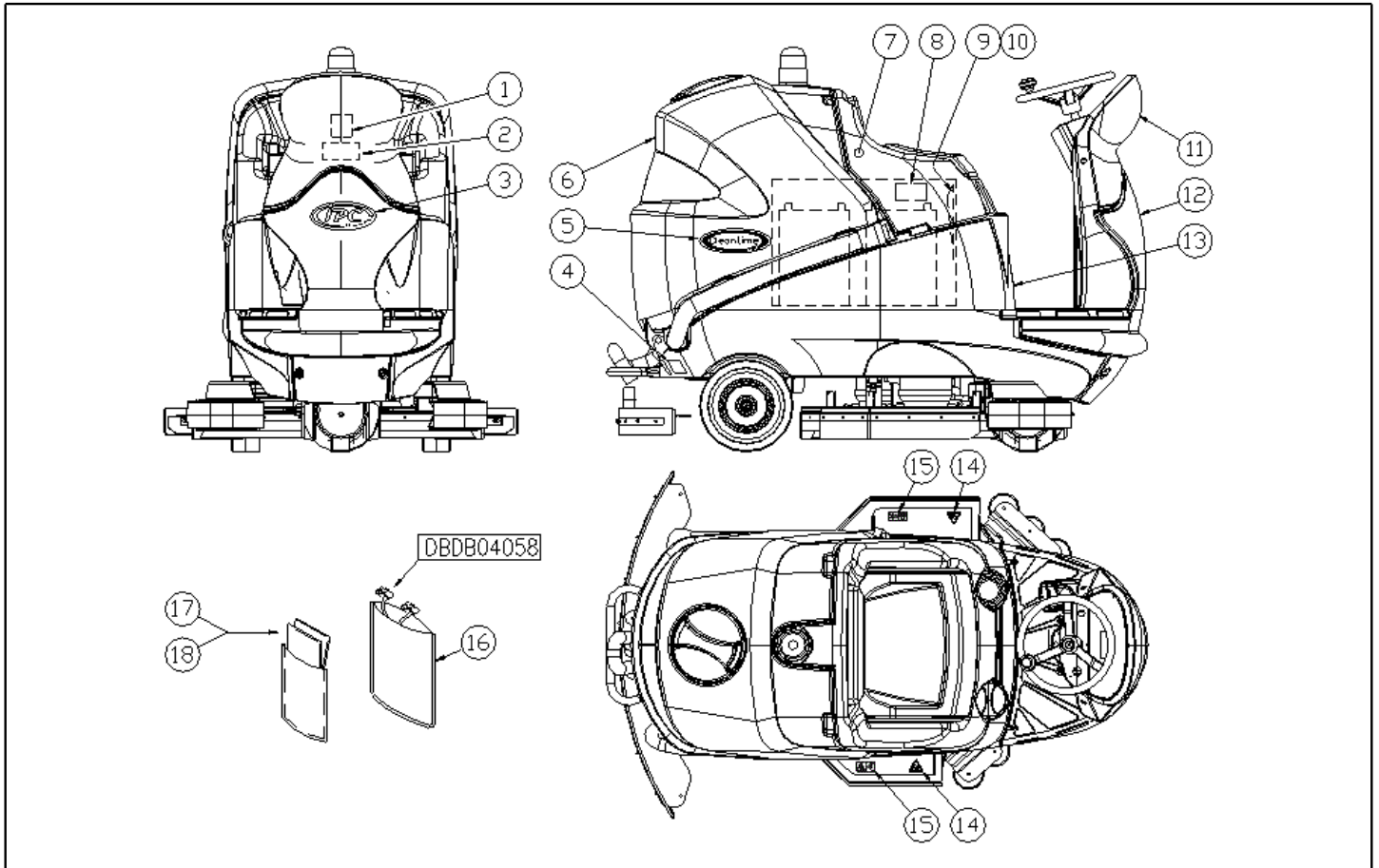
Ref. K	Part n.	Customer part n.	Description	Quantity	Validity		Price
					From	To	
0001	LAFN05790	SL39259	FRAME COMPLETO CLT160	1,00			--
0002	MECE00522		BOARD PANEL CT160-CT230 CURTIS	1,00			--
0003	LAFN04133	SL07623	HUB ALBERO STERZO	1,00			--
0004	CUVR17004	SL12018	BALL BEARING 6202 -2RS1	2,00			--
0005	LAFN04076	SL07570	SHAFT STERZO SUPERIORE P185	1,00			--
0006	LAFN04131	SL07622	SHAFT STERZO NUOVO	1,00			--
0007	MTCR00070	SL10096	PINION ALBERO STERZO P185	1,00			--
0008	VTVR00229	SL11130	KEY 5X5X12	1,00			--
0009	VTRS00019	1105399	WASHER UNI 6592 FORO 20 INOX	1,00			--
0010	LAFN08877		SUPPORT -	1,00			--
0011	VTVT01351		SCREW M8-20 INOX A2 -70	6,00			--
0012	LAFN08876		SUPPORT -	1,00			--
0013	MECE00526		BOARD POWER SERVICE CT160-CT230	1,00			--
0014	VTRS00245	SL06022	WASHER D.6 UNI 6592 INOX	6,00			--
0015	VTVT15912	SL04102	SCREW TCEI M 6X35 UNI 5931 INX	4,00			--
0016	VTVT15966		SCREW TCEI M 6X25	2,00			--
0017	VTVT15906	SL04180	SCREW TE 6X 12 A2 UNI 5739	2,00			--
0018	METT00086		CONTACTOR 100A	1,00			--
0019	VTVT00881	SL04403	SCREW TC+ M4x6 TRILOBATA INOX	8,00			--
0020	MEVR00146	1380151	FUSE-HOLDER MEGA	1,00			--
0021	MEVR47082	1380091	INSULATOR MM35 M6 CH 32	2,00			--
0022	VTVR00057	1255008	ARTICULATION CARDANICO	1,00			--
0024	METT00086		CONTACTOR 100A	1,00			--
0025	MPVR51068		PROTECTOR STERZO CLT 160	1,00			--
0026	MEVR01436	SL53067	BUZZER -	1,00			--
0027	LAFN04134	SL07624	WASHER PIGNONE STERZO	1,00			--
0028	MECE00525		BOARD TRACTION CURTIS 36V 160A	1,00			--
0029	VTAE00050	SL11094	RING D'ARRESTO ALBERO	1,00			--
0030	MPVR47026	13201002	CAP PER VOLANTE	1,00			--
0031	VTRS44254	1105329	WASHER UNI 6593 10X40X2,5 ZB	1,00			--
0032	VTVT01550		SCREW TCCE UNI 5931 6X50 ZB	1,00			--
0033	VTVT07725	SL04152	SCREW TE 5X16 UNI5739 INX	3,00			--
0034	LAFN51017	SL07691	SPACER CRUSC.	1,00			--
0035	VTVT00881	SL04403	SCREW TC+ M4x6 TRILOBATA INOX	4,00			--
0036	MEVR02011		SELECTOR -	1,00			--
0037	MEVR02038		SUPPORT -	1,00			--
0038	LAFN05787	SL39256	ASSEMBLED PIANTONE	1,00			--
0039	MPVR04658		CAP PER TUBO D.20 CLT160	2,00			--
0040	LAFN05765	SL39234	ASSEMBLED RALLA STERZO	1,00			--
0041	LAFN05763	SL39232	ASSEMBLED PIASTRA STERZO	1,00			--
0042	LAFN05795	SL39264	BRACKET PORTAPOMPA	1,00			--
0043	PPEL00025		PUMP EST. 36V	1,00			--
0044	LAFN05764	SL39233	ASSEMBLED CORONA STERZO	1,00			--
0045	VTVT00832	SL04339	SCREW TSPEI M6X16 INOX	6,00			--



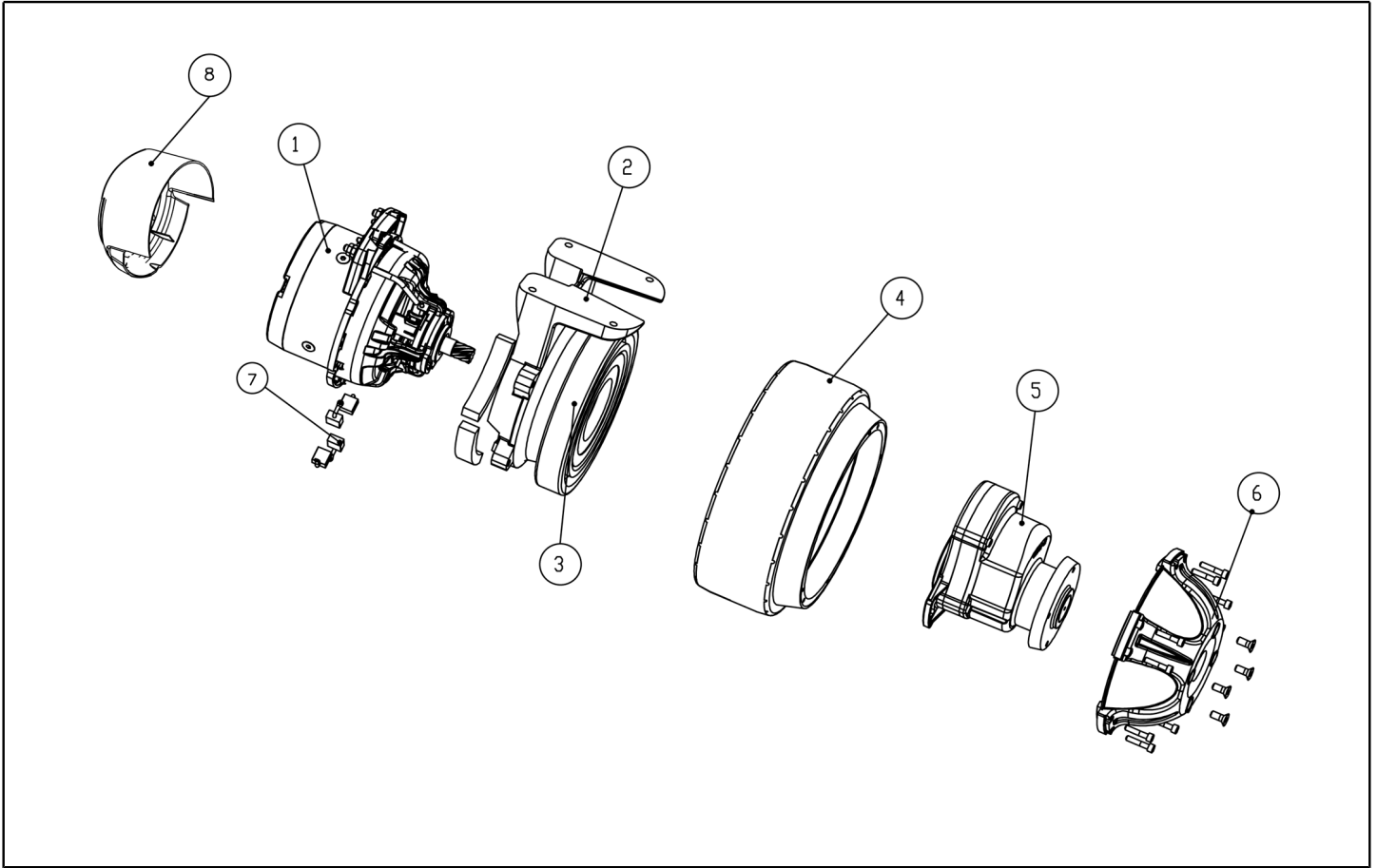
Ref. K	Part n.	Customer part n.	Description	Quantity	Validity		Price
					From	To	
0046	CUVR00120	SL12060	BEARING 6007-2RS1	2,00			--
0047	LAFN04117	SL07612	BUSHING PORTACISCINETTI	1,00			--
0048	VTRS13947	75373	WASHER D. 8 INX UNI 6592	2,00			--
0049	VTVR75747	1165009	RING NUT AUTOBLOK M35X1,5 GUK	1,00			--
0050	VTVT13936	SL04412	SCREW TE M 10X 20	6,00			--
0051	MEVR01746		CARBON X MOT.COD.MOCC00374	4,00			--
0051	MOCC00384		DRIVE ASSEMBLY -	1,00			--
0051	MOCC00398		MOTOR MP100	1,00			--
0051	RTRT00533		RING MOTORWHEEL	1,00			--
0051	RDGR00039		REDUCTION UNIT -	1,00			--
0052	CUVR00105	SL12031	SUPPORT	1,00			--
0053	MTCR00085	SL16044	CHAIN 3/8"	1,00			--
0054	MEVR02039		CONTACT -	2,00			--
0055	MPVR47027	13201001	STEERING WHEEL D.320 SENZA POMELLO	1,00			--
0056	MEVR02012		CONTACT -	2,00			--
0057	MEVR01573		SMALL KNOB 2200 V6	1,00			--
0058	MEVR01575		CAP 2202	1,00			--
0060	VTVT00717	SL04172	SCREW TCEI M. 6-16	1,00			--
0061	VTVT00715	SL04166	SCREW TE M.10-35	2,00			--
0062	VTRS15523	11051234	WASHER D.10 X21 INOX UNI 6592	2,00			--
0063	LAFN06487		BRACKET FISSA CARENE DP	1,00			--
0064	LAFN06486		BRACKET FISSA CARENE DP	1,00			--
0065	MEVR01574		RING NUT 2204	1,00			--
0066	MEVR01941		POTENTIOMETER 100K	1,00			--
0067	MTCR47037	1155001	JOINT 3/8 PER CATENA TK 1000	1,00			--
0068	LAFN07030		SPACER -	1,00			--
0069	VTVT15916	SL04203	SCREW TE M 8X 16 UNI 5739 A2	2,00			--
0070	LAFN07029		SPACER -	1,00			--
0071	GUGO00415		GASKET PANNELLO COMANDI CT160	1,00			--
0072	RTRT00533		RING MOTORWHEEL	1,00			--
0073	MPVR47040	13201012	SMALL KNOB PER VOLANTE	1,00			--
0074	VTVT16939	SL04401	SCREW M 4X 16 TSPEI UNI 5933	4,00			--
0075	VTVR00306		INSERT FILETTATO ESAGONALE M5	6,00			--
0076	LAFN08870		BRACKET -	1,00			--
0077	MECI75805	13801001	SWITCH A CHIAVE X MOTORI BATTER.	1,00			--
0078	LAFN08869		SUPPORT -	1,00			--
0079	ETET01664		LABEL -	1,00			--
0080	ETET01663		LABEL -	1,00			--
0081	LAFN08851		SUPPORT -	1,00			--
0082	MECI00028	13801009A	BUTTON DI EMERGENZA TK1400 24V	1,00			--
0083	MECE00531		BOARD DISPLAY CT160-CT230	1,00			--
0084	MECE00532		BOARD LOGIC CT160-CT230 CURTIS	1,00			--
0085	MPVR05840		COVER -	1,00			--
0086	MEVR00145	1380150	FUSE 100A	1,00			--



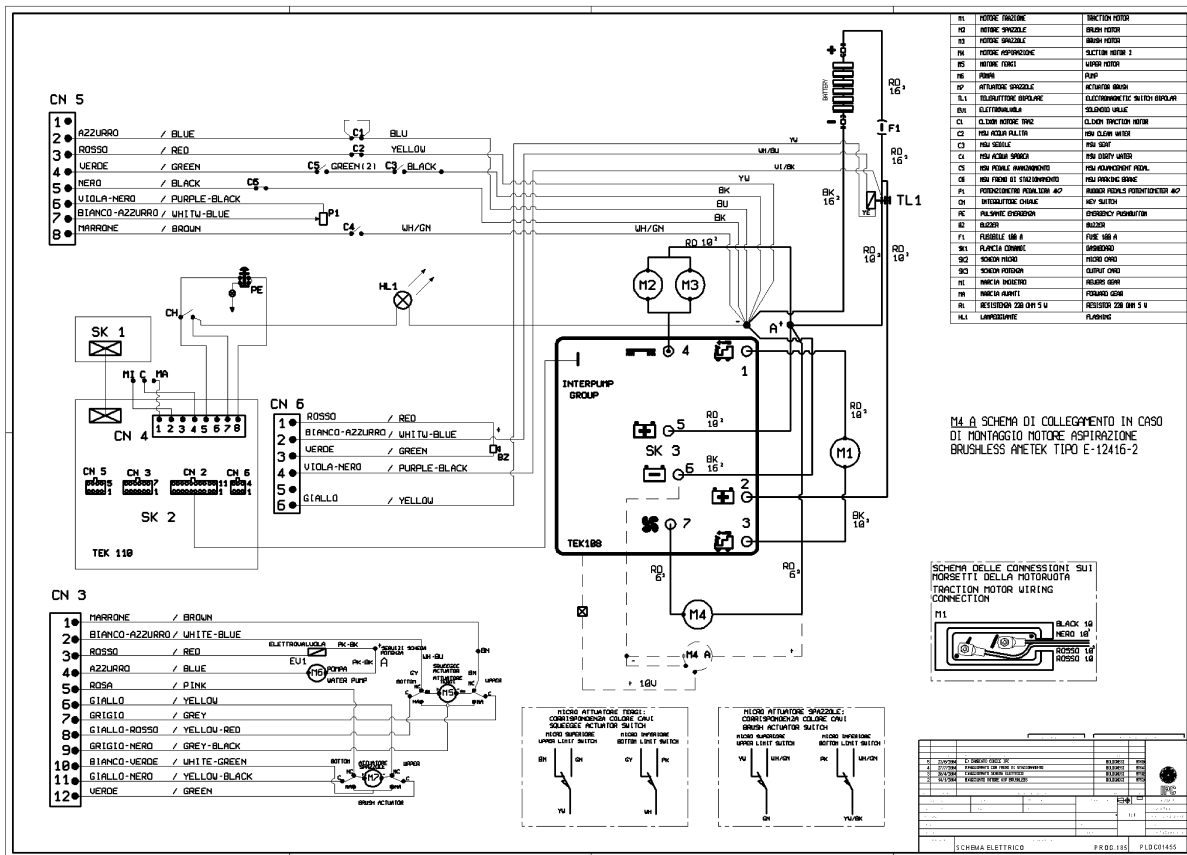
Ref. K	Part n.	Customer part n.	Description	Quantity	Validity		Price
					From	To	
0087	MEVR00030	1380004	FUSE-HOLDER 4 VIE COPERCHIO TRAS.	1,00	26/10/2011	--	--
0088	MEVR00584	70237	FUSE 3A	1,00	26/10/2011	--	--
0089	MEVR01559		FUSE RESETTABLE 4A -ETA-	1,00	26/10/2011	--	--
0090	MEVR01559		FUSE RESETTABLE 4A -ETA-	1,00	26/10/2011	--	--
0091	MEVR00613	70354	FUSE CARRIER MAXIVAL with cover	1,00	26/10/2011	--	--
0092	VTVT01300		SCREW TE M5X12 INOX	1,00	26/10/2011	--	--
0093	MEVR00644	70652	FUSE MAXIVAL 30A	1,00	26/10/2011	--	--
0094	VTDD01693	SL05087	NUT M 5 INX	1,00	26/10/2011	--	--
0095	MECE00456		RELAY CT110	1,00	26/10/2011	--	--
0097	VTVT07725	SL04152	SCREW TE 5X16 UNI5739 INX	1,00	26/10/2011	--	--
0098	MECB01319		WIRING CURTIS	1,00	15/11/2012	--	--
0099	MECE00533		BOARD INTERFACE CURTIS-CHEMICAL	1,00	08/01/2013	--	--
0100	MPVR47040	13201012	SMALL KNOB PER VOLANTE	1,00		--	--



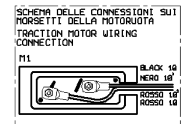
Ref. K	Part n.	Customer part n.	Description	Quantity	Validity		Price
					From	To	
0001	ETET00895	SL25362	ADHESIVE SIMBOLO LEGGERE IL MANUAL	1,00			--
0002	ETET00730	SL25177	LABEL BATTERIE SCOLLEGATE	1,00			--
0003	ETET01637		LABEL -	1,00			--
0004	ETET00463	SL25002	ADHESIVE SCARICO ACQUA	1,00			--
0005	ETET01686		LABEL -	2,00			--
0006	MPVR05862		TANK RECUP.CT160	1,00			--
0007	MPVR05861		SEAT SUPPORT CT160 GRAY 7024	1,00			--
0008	ETET01408		LABEL SCHEMA COLLEG. BATTERIE	1,00			--
0009	MPVR04179	SL25374N	ENVELOPE PORTAMANUALE ADESIVA	1,00			--
0010	PLDC01455		ELEC. DIAGRAM DISEGNO	1,00			--
0011	MPVR05865		SIDE PANEL -	1,00			--
0012	MPVR05866		SIDE PANEL -	1,00			--
0013	KTRIO2011		TANK SOLUZIONE CLT160	1,00			--
0014	ETET00897	SL25364	ADHESIVE SIMBOLO PERICOLO	2,00			--
0015	ETET00906	SL25369	ADHESIVE SIMBOLO PERICOLO DI ABRAS	2,00			--
0016	MIVR00064	SL26017	ENVELOPE PORTA CABLAGGI	1,00			--
0018	PLDC01504		INSTR.MANUAL NEUTRO CLEAN TIME 160	1,00			--



Ref. K	Part n.	Customer part n.	Description	Quantity	Validity		Price
					From	To	
0001	MOCC00398		MOTOR MP100	1,00			--
0002	MFVR00290		SUPPORT -	1,00			--
0003	CUVR00194		BEARING 61926 2RS	1,00			--
0004	RTRT00533		RING MOTORWHEEL	1,00			--
0005	RDGR00039		REDUCTION UNIT -	1,00			--
0006	MPVR05990		CAP CT110	1,00			--
0007	MEVR00985	MP02251-2	BRUSH CARBON 10X18	1,00			--
0008	MPVR04999		CAP .	1,00			--



M4 A SCHEMA DI COLLEGAMENTO IN CASO DI MONTAGGIO MOTORE ASPIRAZIONE BRUSHLESS ANITEK TIPO E-12416-2



Rev.	Descrizione	Aut.	Data
01	Schema elettrico
02
03
04
05
06
07
08
09
10
11
12
13
14
15
16
17
18
19
20

Ref. K	Part n.	Customer part n.	Description	Quantity	Validity		Price
					From	To	
BZ	MEVR01436	SL53067	BUZZER -	1,00			--
C2	MECI00338	SL53063	SENSOR DI LIVELLO ORIZZONTALE	1,00			--
C3	MECI00287	SL23456	SWITCH MULTIPOLO A PRESSIONE	1,00			--
C4	MECI00338	SL53063	SENSOR DI LIVELLO ORIZZONTALE	1,00			--
C6	MECI44780	1380067	MICROSWITCH IP67 OMRON D2VW-5L2A-1M	1,00			--
CH	MECI00340	SL53072	SWITCH A CHIAVE X MOT.BATT.P185	1,00			--
EV1	MEEV00021	SL18421	SOLENOID VALVE RIF. D160SS10/K20Z	1,00			--
HL1	MELF00040	SL53058	FLASHING LIGHT	1,00			--
M1	RTRT00250	SL02252	DRIVE ASSEMBLY V36 560W	1,00		24/01/2010	--
M1	MOCC00380		DRIVE ASSEMBLY -	1,00	25/01/2010		--
M2	MOCC00248	SL02445	MOTORE SPAZZOLE CPL	1,00			--
M3	MOCC00248	SL02445	MOTORE SPAZZOLE CPL	1,00			--
M4	MOCC00252	SL02451-Q	MOTORE ASPIR.TRIS.36V	1,00			--
M5	MOCC00139	MP02210	ATUATORE TERGI AO-01M	1,00			--
M6	PPEL45303	SL02128	PUMP EST. 36V	1,00			--
M7	MOCC00140	MP02215	ATUATORE TERGI AO1-C 36V	1,00			--
MA	MECI00337	SL53059	SWITCH A LEVA	1,00			--
MI	MECI00337	SL53059	SWITCH A LEVA	1,00			--
PE	MECI00341	SL53073	BUTTON DI EMERGENZA	1,00			--
SK1	MEQE00050		Control Board Complete	1,00			--
SK3	MECE00265	GR53068	BOARD POWER TRACTION CT160	1,00			--
TL1	METT00065	SL53062	CONTACTOR 36 V	1,00			--