

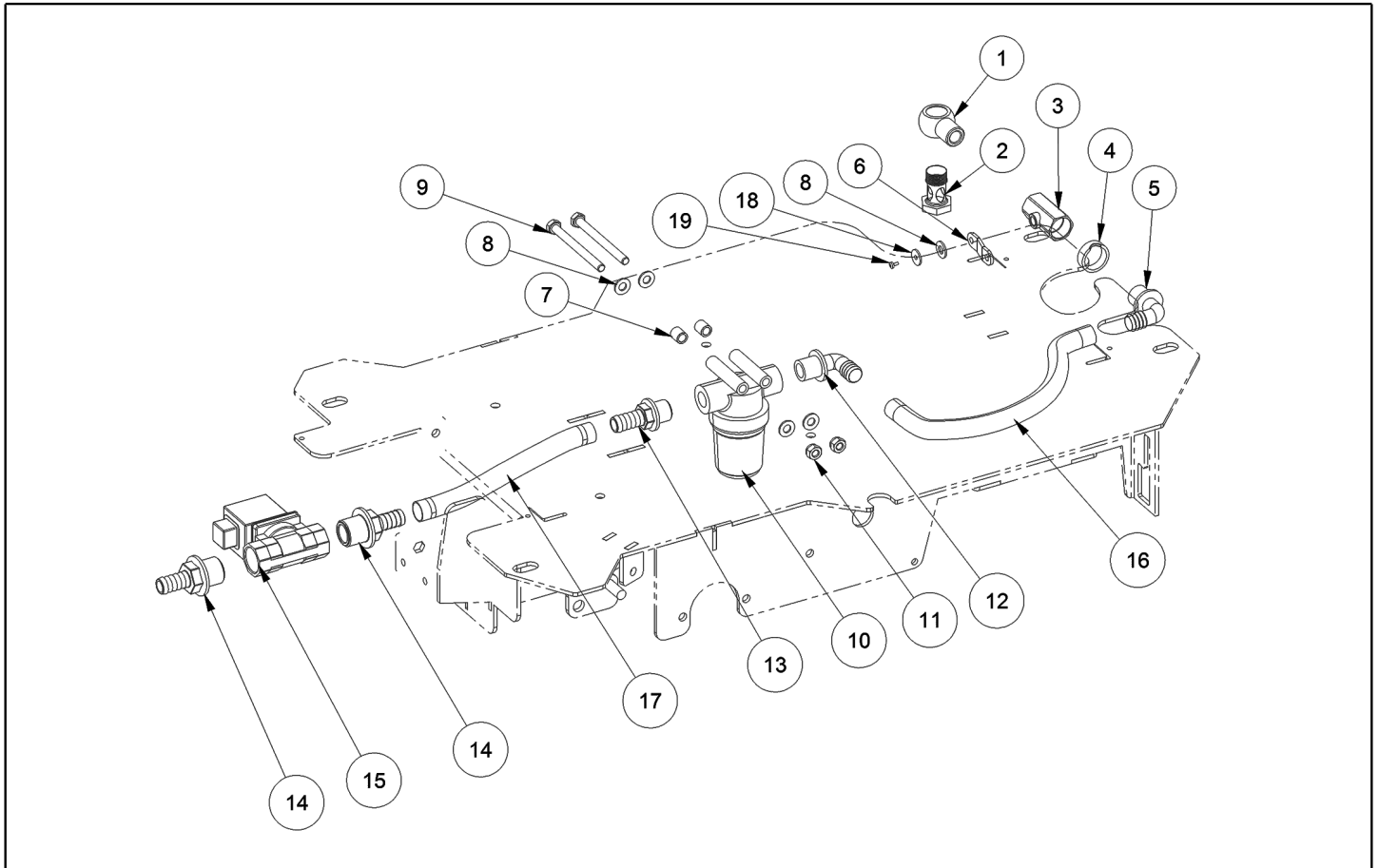


IPC

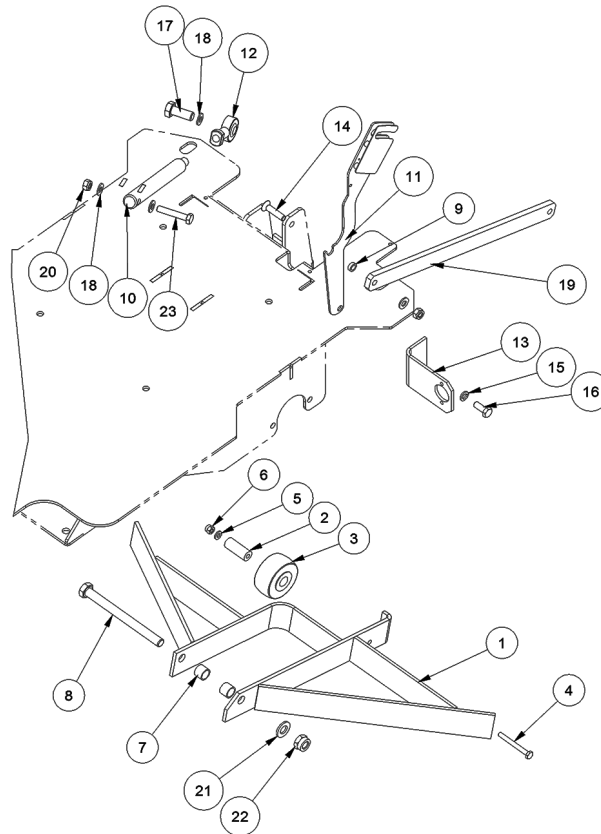
Spare parts list

Ref: LPTB02942

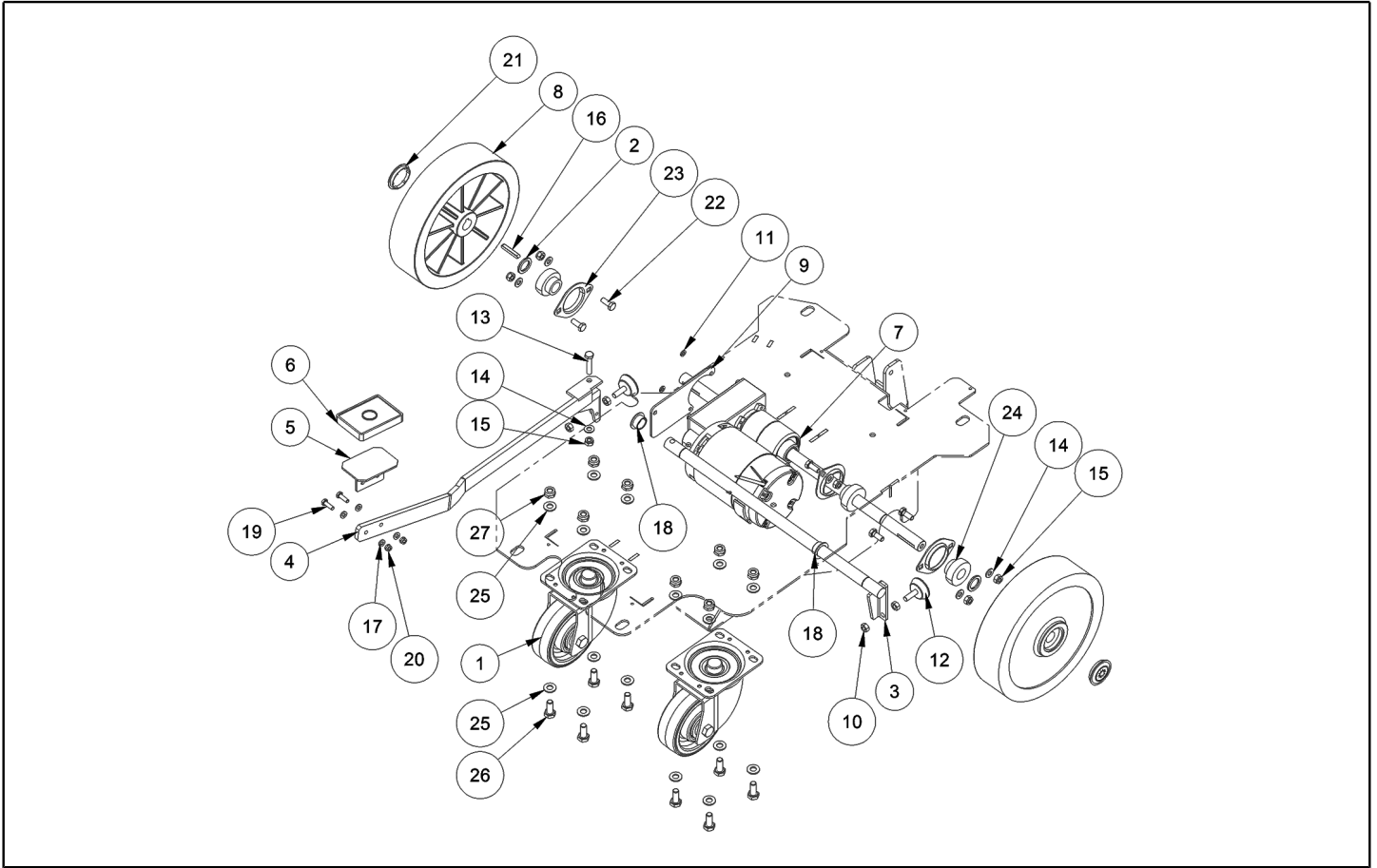
Model: FLOOR WASHER CT105 BT70 GR/VE USA



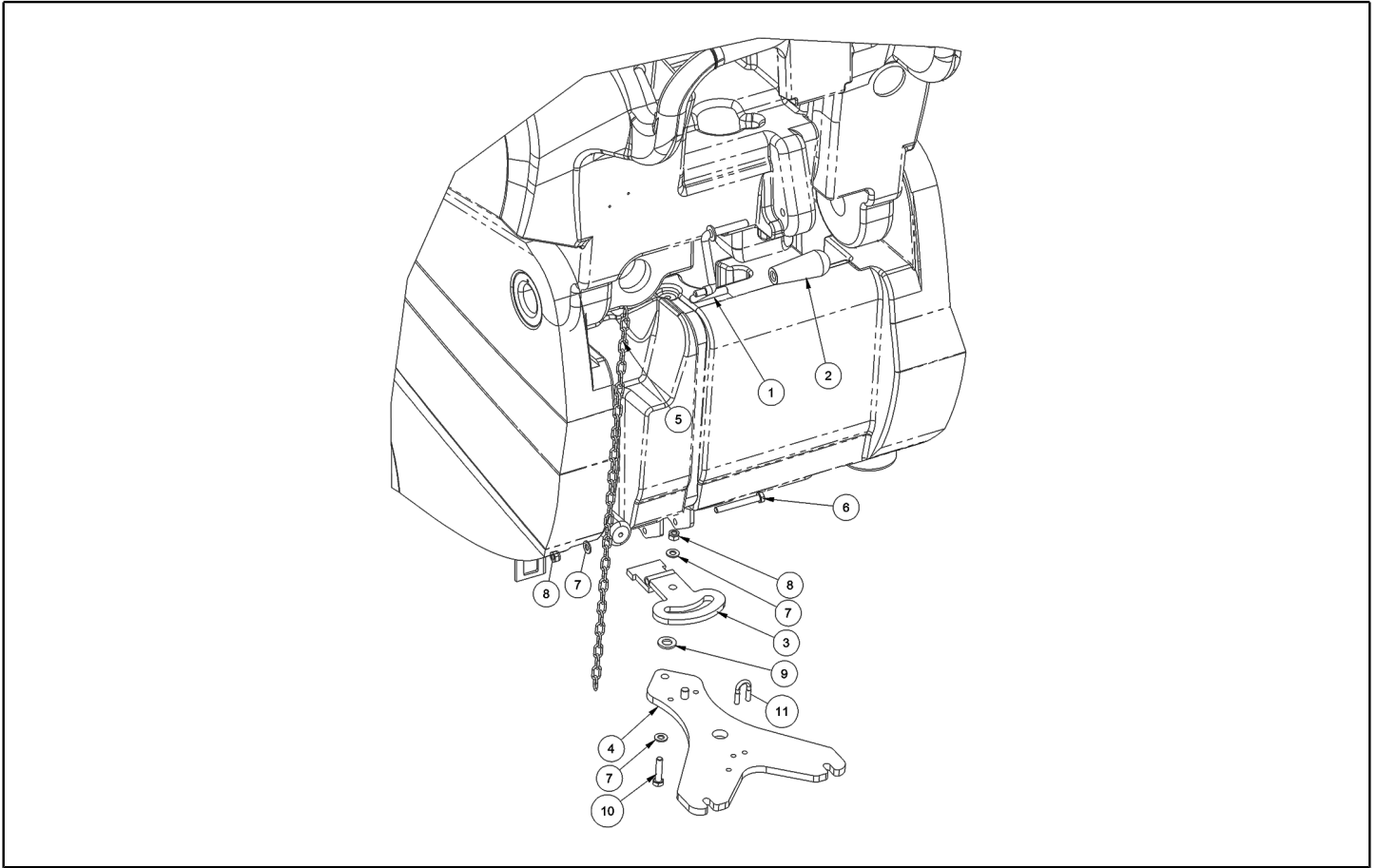
Ref. K	Part n.	Customer part n.	Description	Quantity	Validity		Price
					From	To	
0001	RCDS49622	SL18256	CONNECTOR OCC 1/2 - 1/2M	1,00			--
0002	RCDS49623	SL18257-L	SCREW G 1/2 L=41.5	1,00			--
0003	RCGR00065	SL18407	TAP F/F 1/2"	1,00			--
0004	MPVR02862	SL07209K	COVER FISSAG.SERB.	1,00			--
0005	RCVR00537	SL18403	CONNECTOR MASCH.G1/2 RESCA	1,00			--
0006	LAFN05724	SL39193	LEVER RUBINETTO	1,00			--
0007	RCDS31040	SL07065	BUSHING D. 8X 12X13	2,00			--
0008	VTRS13947	75373	WASHER D. 8 INX UNI 6592	4,00			--
0009	VTVT01321		SCREW TE 8X90 UNI5739	2,00			--
0010	FTAC00038	SL18411	FILTER G1/2 INOX	1,00			--
0011	VTDD01695	SL05039	NUT M 8 INX	2,00			--
0012	RCVR00537	SL18403	CONNECTOR MASCH.G1/2 RESCA	1,00			--
0013	RCVR00514	SL18365	CONNECTOR 1/2 M RESCA 15	1,00			--
0014	RCVR00795		CONNECTOR 3/4	2,00			--
0015	MEEV00015	SL18394	SOLENOID VALVE	1,00			--
0017	TBBP00362	SL19334	TUBE	1,00			--
0018	VTRS00251	SL06031	WASHER 4-16 INOX A2	1,00			--
0019	VTVT00834	SL04341	SCREW M 3X 6 TCB-TC IX U.7687	1,00			--



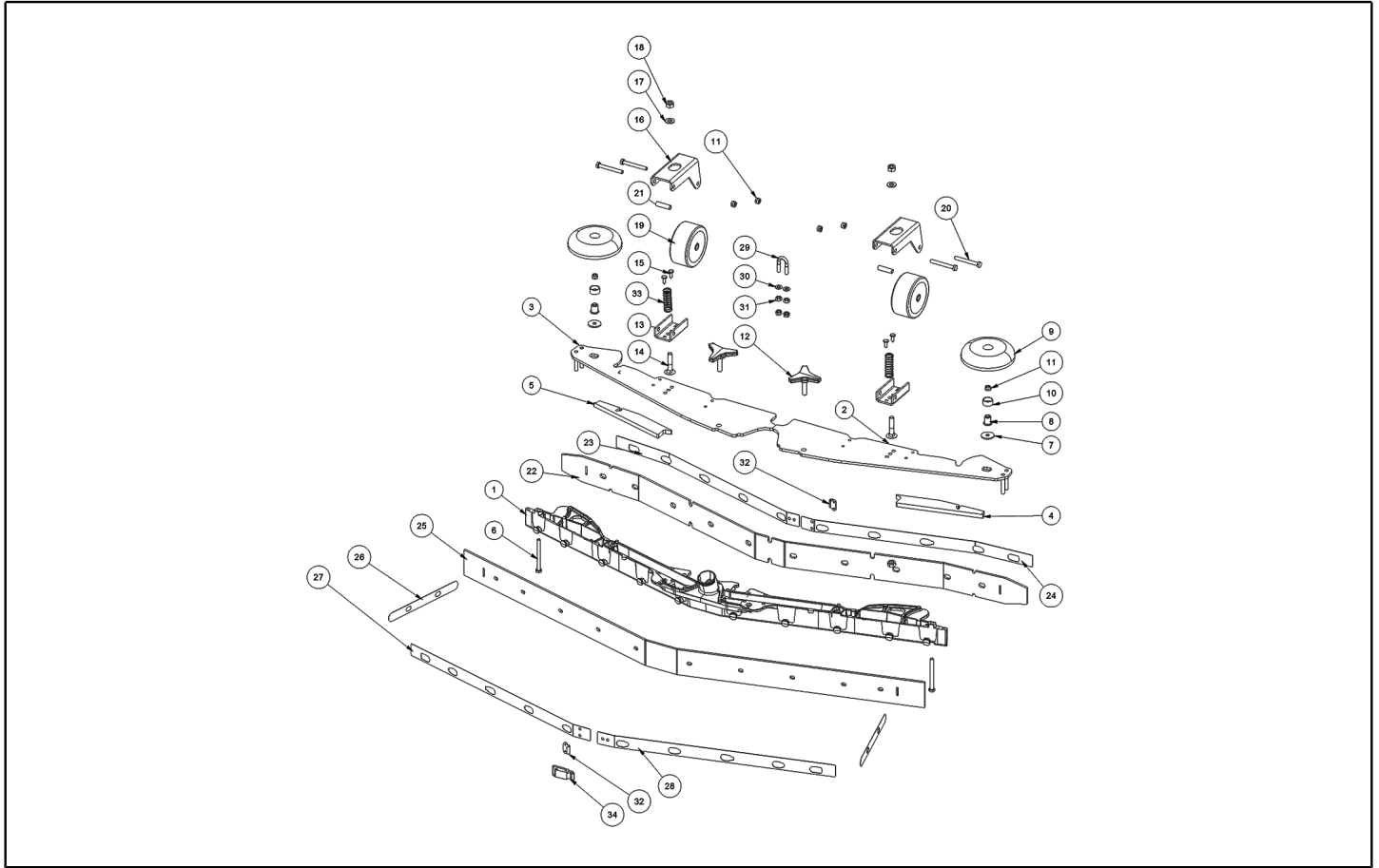
Ref. K	Part n.	Customer part n.	Description	Quantity	Validity		Price
					From	To	
0001	LAFN05654	SL39123	BRACKET CENTRAGGIO SPAZZOLE 70	1,00			--
0002	LAFN04041	SL07526	SPACER D6/15	1,00			--
0003	RTRT49413	SL08058	WHEEL D. 60-D.15 X36 NYL.	1,00			--
0004	VTVT00655	SL04061	SCREW TE M. 6-55	1,00			--
0005	VTRS00245	SL06022	WASHER D.6 UNI 6592 INOX	1,00			--
0006	VTDD15518	75375	NUT M 6 INX	1,00			--
0007	LAFN03721	SL07133	BUSHING PEDALIERA	2,00			--
0008	VTVT00868	SL04389	SCREW TE M12-140	1,00			--
0009	RCDS35584	SL07150	BUSHING D. 8X12X 4.3	1,00			--
0010	LAFN05600	SL39072	LEVER LATERALE	1,00			--
0011	MECB00504	GR53004	GROUP CABLAGGIO	1,00			--
0012	VTVR00267	SL22004	ARTICULATION SFERICO D.12	1,00			--
0013	LAFN05643	SL39112	BRACKET ELETTROVALVOLA	1,00			--
0014	VTVT00427		SCREW TSPEI 8X35 UNI5933 INX	1,00			--
0015	VTRS01080	05136	WASHER D. 8 GRW	1,00			--
0016	VTVT13938	75362	SCREW TE 8X20 UNI5739 INX	1,00			--
0017	VTVT00422		SCREW TE M 12X 30 UNI 5739	1,00			--
0018	VTRS13947	75373	WASHER D. 8 INX UNI 6592	4,00			--
0019	LAFN05604	SL39073	LEVER SUPERIORE	1,00			--
0020	VTDD01695	SL05039	NUT M 8 INX	2,00			--
0021	VTRS00506	05126	WASHER D.12 UNI 6592	1,00			--
0022	VTDD00494	75199	NUT M12 TEF	1,00			--
0023	VTVT15371	71051247	SCREW TE M 8X45 INOX A2 UNI	1,00			--



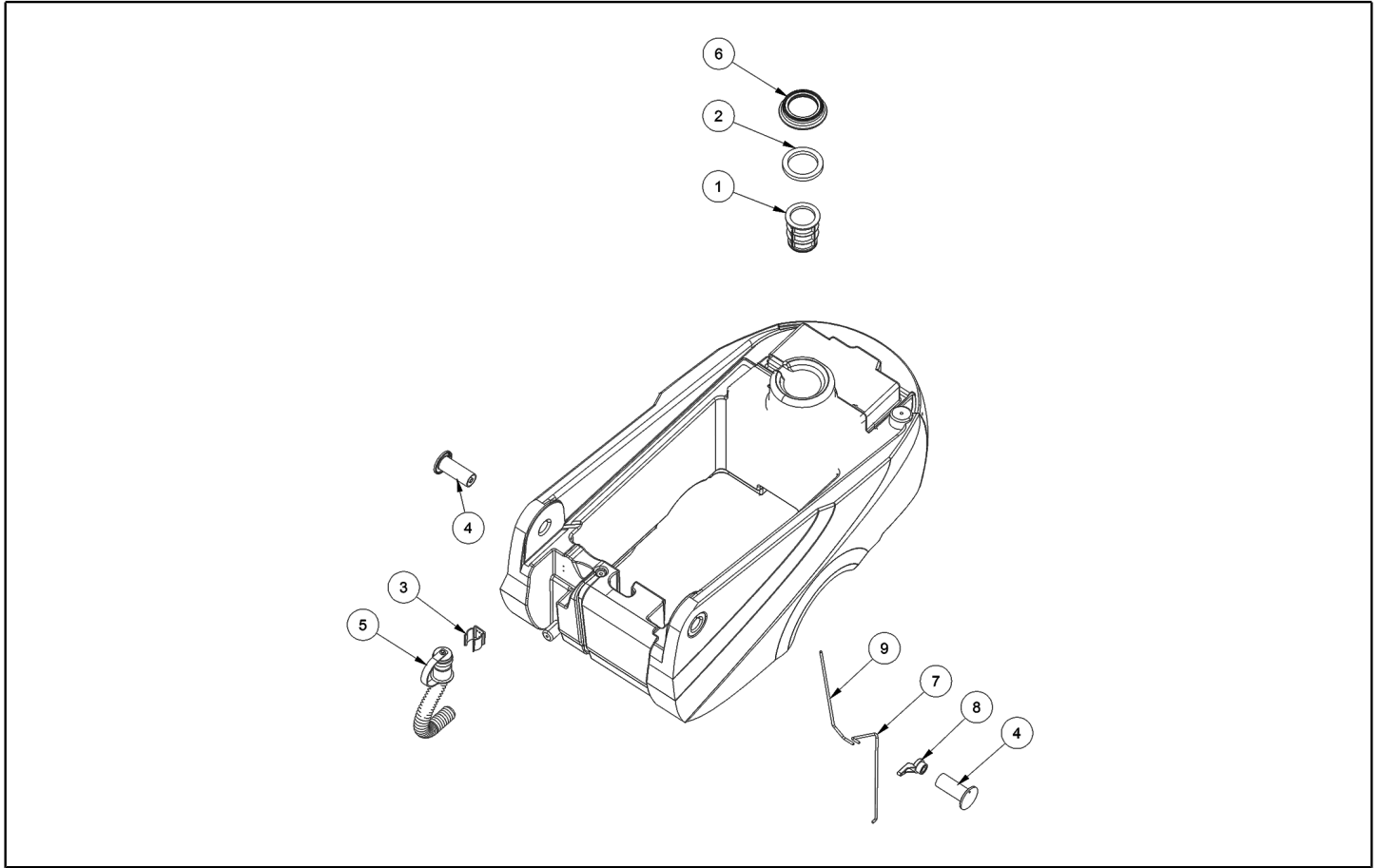
Ref. K	Part n.	Customer part n.	Description	Quantity	Validity		Price
					From	To	
0001	RTRT49041	SL08007	TURNING WHEEL D.125 BNDT	2,00			--
0002	LAFN05311	SL12031-1	SPACER X CUSCINETTO	2,00			--
0003	LAFN05840	SL39310	AXLE FRENO	1,00			--
0004	LAFN05841	SL39311	LEVER FRENO	1,00			--
0005	LAFN35599	SL09133	BRAKE PEDAL LAV. BT	1,00			--
0006	LAFN29988	RP29988	PROTECTION TIG.300	1,00			--
0007	MOCC00142	MP02250	MOTOR.GEARBOX 300W	1,00			--
0008	RTRT00542		WHEEL D.250x60	2,00			--
0009	LAFN05617	SL39085	PLATE FISSAGGIO MOTORE TRAZIONE	1,00			--
0010	VTDD15521	05518	NUT M 8 INX A2 UNI 5588	4,00			--
0011	VTRS15144	11051232	WASHER D. 6 INX GRW UNI 1751	2,00			--
0012	MPVR04162	SL20059	CAP FRENO	2,00			--
0013	VTVT00708	SL04155	SCREW TE M. 8-40	1,00			--
0014	VTRS13947	75373	WASHER D. 8 INX UNI 6592	7,00			--
0015	VTDD01695	SL05039	NUT M 8 INX	7,00			--
0016	VTVR33668	SL11105	KEY 6x 6x40 UNI 6604A	1,00			--
0017	VTRS00245	SL06022	WASHER D.6 UNI 6592 INOX	4,00			--
0018	CUVR44348	SL12035	BUSHING CB 85 2010 31T	2,00			--
0019	VTVT13939	11051239	SCREW TE 6X20 UNI5739 INX	2,00			--
0020	VTDD01694	SL05074	NUT M6 INOX	2,00			--
0022	VTVT00842	SL04355	SCREW	6,00			--
0023	CUVR00105	SL12031	SUPPORT	3,00			--
0024	CUVR00105	SL12031	SUPPORT	3,00			--
0025	VTRS00505	05116	WASHER D.10 TE UNI 6592	16,00			--
0026	VTVT03640	SL04132	SCREW TE 10X25 UNI5740	8,00			--
0027	VTDD00042	SL05032	NUT AUT.M10 UNI7474	8,00			--



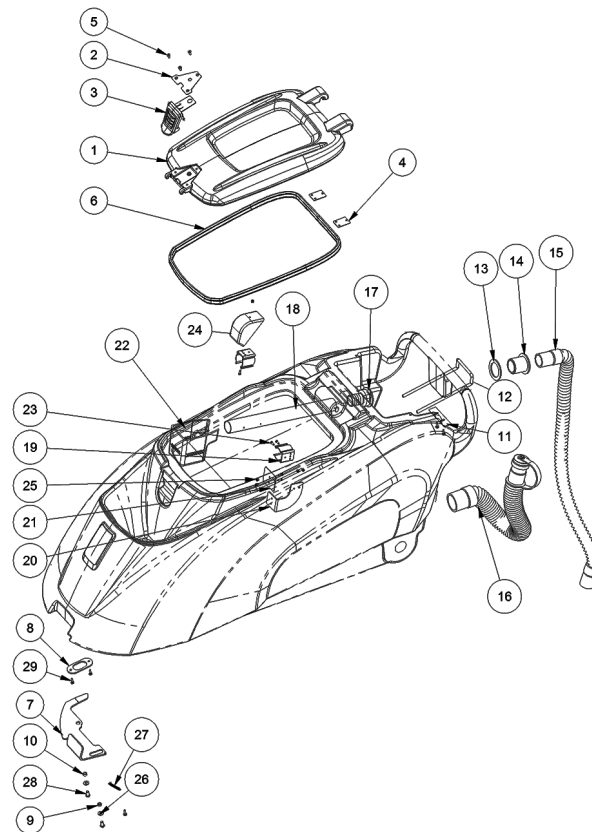
Ref. K	Part n.	Customer part n.	Description	Quantity	Validity		Price
					From	To	
0001	LAFN07554		LEVER -	1,00			--
0002	VTVR49226	SL20007	HANDWHEEL F M10 D.82	1,00			--
0003	LAFN09009		SUPPORT -	1,00			--
0004	LAFN09241		PLATE -	1,00			--
0005	MTCR00105		CHAIN -	1,00			--
0006	VTVT00757	SL04229	SCREW	1,00			--
0007	VTRS13947	75373	WASHER D. 8 INX UNI 6592	3,00			--
0008	VTDD01695	SL05039	NUT M 8 INX	2,00			--
0009	VTRS15978		WASHER D.12X24 UNI 6592 INX	1,00			--
0010	VTVT00410	SL04127	SCREW TE M8x35 UNI5739 INOX	1,00			--
0011	LAFN09231		BRACKET M6X11X29	1,00			--



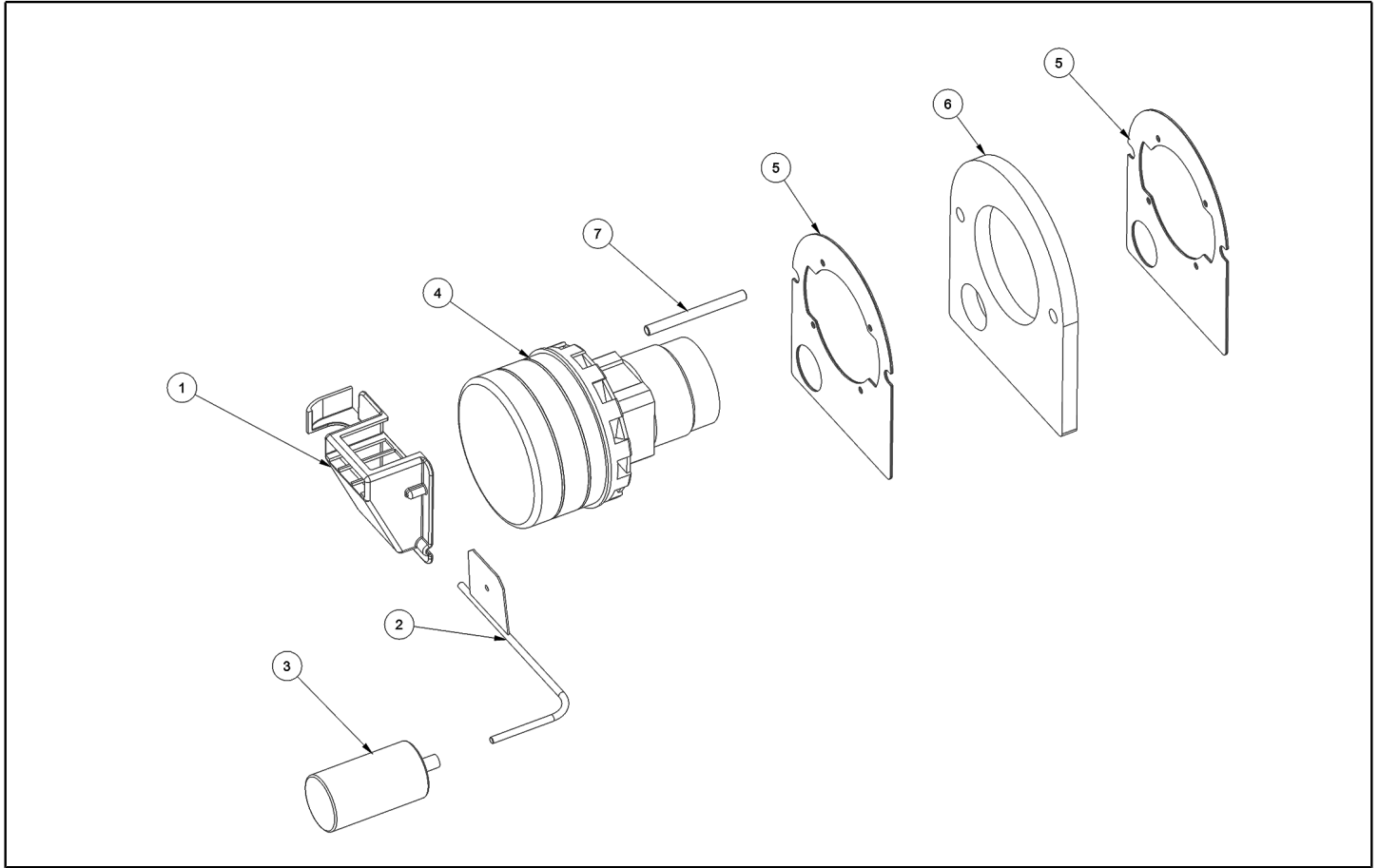
Ref. K	Part n.	Customer part n.	Description	Quantity	Validity		Price
					From	To	
0001	MFVR00217		BODY -	1,00			--
0002	LAFN11024		PLATE -	1,00			--
0003	LAFN11023		PLATE -	1,00			--
0004	GUVR00303		GASKET -	1,00			--
0005	GUVR00302		GASKET -	1,00			--
0006	VTVT00841	SL04354	SCREW TE M 6X65 UNI 5739 INX	2,00			--
0007	VTRS16937	11051241	WASHER 6x24 INOX UNI 6593	2,00			--
0008	LAFN04100	SL07596	SPACER PER RUOTINO PARACOLPI	2,00			--
0009	MPVR05290		ROLLER SIDE BUMPER WHEEL	2,00			--
0010	MPVR49229	SL17608	BUSHING SHK	2,00			--
0011	VTDD01694	SL05074	NUT M6 INOX	8,00			--
0012	MPVR06004		KNOB AISI 304	2,00			--
0013	LAFN51069		BRACKET SUPP.RUOTINO SQUEEGEE	2,00			--
0014	VTVT01304		SCREW M 8X 40 TTQST UNI 5731	2,00			--
0015	VTVR01040		RIVET -	4,00			--
0016	LAFN05559	SL39033	SUPPORT RUOTINO	2,00			--
0017	VTRS13947	75373	WASHER D. 8 INX UNI 6592	3,00			--
0018	VTDD01695	SL05039	NUT M 8 INX	3,00			--
0019	RTRT00540		WHEEL D.8x32	2,00			--
0020	VTVT15515	SL04261	SCREW TE M 6X 50 INOX A2	4,00			--
0021	TBBP00124	MP19107	TUBE D 8/6	0,02			--
0022	MPVR08040		BLADE L LATEX	1,00			--
0023	LAFN09285		SHEET METAL PA. -	1,00			--
0024	LAFN09284		SHEET METAL PA. -	1,00			--
0025	MPVR08036		BLADE L LATEX	1,00			--
0026	MPVR05898		CLOSURE L	2,00			--
0027	LAFN09287		SHEET METAL PA. -	1,00			--
0028	LAFN09286		SHEET METAL PA. -	1,00			--
0029	LAFN09231		BRACKET M6X11X29	1,00			--
0030	VTRS00245	SL06022	WASHER D.6 UNI 6592 INOX	2,00			--
0031	VTDD15520	SL05017	NUT M 6 A2 UNI 5588 INX	2,00			--
0032	LAFN09301		SOCKET -	2,00			--
0033	MLML49422	SL13103	SPRING D.15X 45 X1	2,00			--
0034	LAFN09302		CLOSURE -	2,00			--



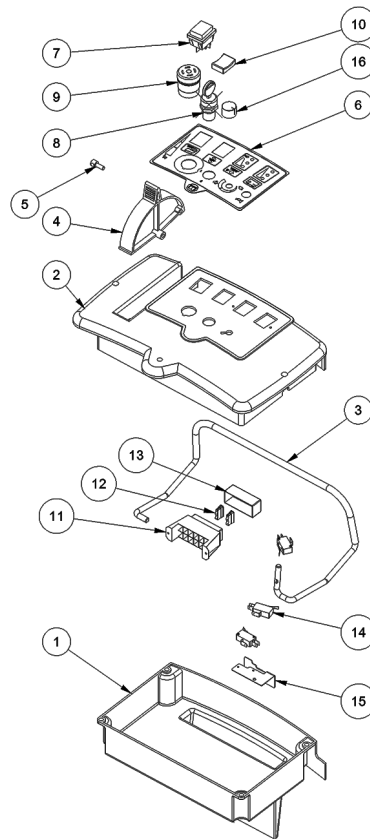
Ref. K	Part n.	Customer part n.	Description	Quantity	Validity		Price
					From	To	
0001	FTAC48857	SL03526	FILTER SOLUTION TANK INLET	1,00			--
0002	GUGO00293			1,00			--
0003	FSVR00260		HOSE CLIP D.50	1,00			--
0004	MPVR48695	SL17493-1	PIN SHK.BK	2,00			--
0005	TBFX00360		TUBE PU CT100	1,00			--
0006	GUVR48859	SL03566	GASKET SHK	1,00			--
0007	LAFN05609	SL39079	ROD INFERIORE RUBINETTO	1,00			--
0008	MPVR49471	SL17491-1	LEVER SHK	1,00			--
0009	LAFN05645	SL39114	ROD SUPERIORE RUBINETTO	1,00			--



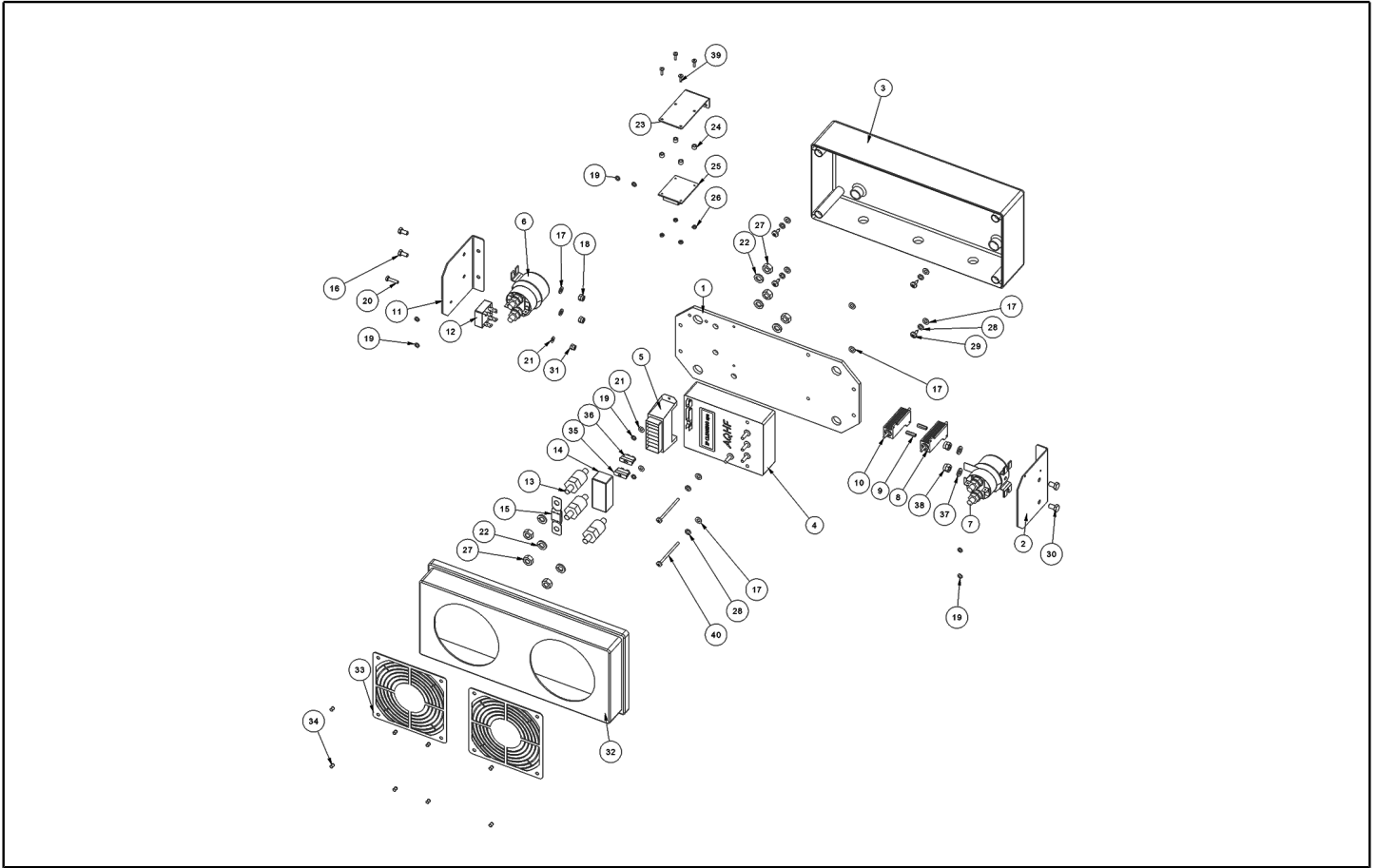
Ref. K	Part n.	Customer part n.	Description	Quantity	Validity		Price
					From	To	
0001	MPVR06483		COVER CT100	1,00			--
0002	LAFN09434		BRACKET -	1,00			--
0003	MPVR06484		LEVER TANK LID LOCK CT105	1,00			--
0004	LAFN09436		BRACKET -	1,00			--
0005	VTVT17721		SCREW M 5X10 TSPEI	3,00			--
0006	GLVVR01016		GASKET	1,00			--
0007	LAFN05756	SL39225	HANDLE APERTURA SERBATOI	1,00			--
0008	LAFN05755	SL39224	PLATE CENTRAGGIO AGGANCIO	1,00			--
0009	RCDS35584	SL07150	BUSHING D. 8X12X 4.3	1,00			--
0010	LAFN03940	SL07410	BUSHING 8/12-5,25	1,00			--
0011	LAFN05607	SL39076	PLATE	1,00			--
0012	LAFN05585	SL39060	LEVER SAFETY DEAD-MAN SWITCH	1,00			--
0013	GUGO00216	SL03416	GASKET ACQUA SPORCA	1,00			--
0014	RCVR00508	SL18355	PIPE UNION DI SCARICO	1,00			--
0015	TBFX00354		TUBE -	1,00			--
0016	PMVR01052	GR19271	GROUP TUBO TIGRATO	1,00			--
0017	RCVR00504	SL18349	CONNECTOR DRITTO FEMM.	1,00			--
0018	MPVR07059		TUBE CT100	1,00			--
0019	MPVR46988	SL13118	CLIP FIXATION DRAIN HOSE	2,00			--
0020	LAFN09166		SUPPORT -	1,00			--
0021	LAFN08978		BRACKET -	1,00			--
0022	MPVR05561		SMALL BASKET -	1,00			--
0023	VTVT00817	SL04323	SCREW TE M4x12 UNI 5739 INOX	5,00			--
0024	MPVR05596		PROTECTION -	1,00			--
0025	VTDD00055	75289	NUT M 4 ATB A2	5,00			--
0026	VTRS13947	75373	WASHER D. 8 INX UNI 6592	2,00			--
0027	MLML00196	SL13090	SPRING PER GIUNTO HS NADIR	1,00			--
0028	VTVT00779	SL04269	SCREW TBEI M.8-16	2,00			--
0029	VTVT48694	SL04371	SCREW TCB TC 5 X12 UNI 9707 TZ	5,00			--



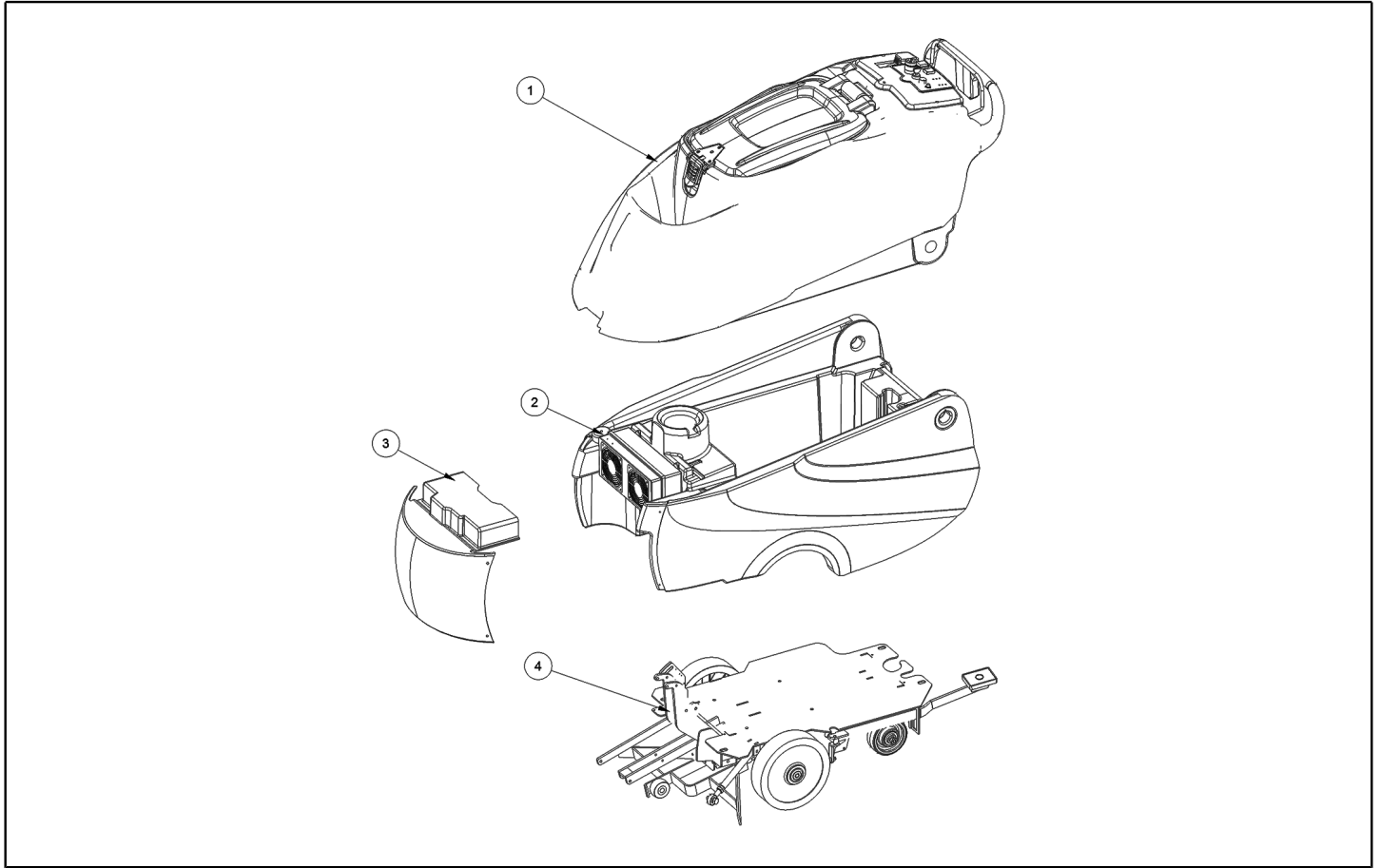
Ref. K	Part n.	Customer part n.	Description	Quantity	Validity		Price
					From	To	
0001	MPVR03846	SL17492-1	SUPPORT GALLEGGIANTE	1,00			--
0002	LAFN05118	SL09827	ROD GALLEGGIANTE	1,00			--
0003	RCGR00064	SL18393	FLOATER	1,00			--
0004	MOCC00273		MOTOR VACUUM 3ST 24V	1,00			--
0005	LAFN51076		FLANGE INSONORIZZ.ASPIRATORE	2,00			--
0006	ITSO00035		SOUND-PROOFING SHARK/PANTHER	1,00			--
0007	LAFN11008		COLUMN -	2,00			--



Ref. K	Part n.	Customer part n.	Description	Quantity	Validity		Price
					From	To	
0001	MPVR03842	SL17489-1		1,00			--
0002	MPVR10572		PANEL -	1,00			--
0003	LAFN09433		LEVER -	1,00			--
0004	MPVR03845	SL17490-1	LEVER REGOLAZ.	1,00			--
0005	LAFN05103	SL09808	ARTICULATION SUPERIORE	1,00			--
0006	ETET14247		LABEL -	1,00			--
0007	MECI00309	SL23708	SWITCH	1,00			--
0008	MECI75805	13801001	SWITCH A CHIAVE X MOTORI BATTER.	1,00			--
0009	MECI00527		STOP BUTTON	1,00			--
0010	MECI46638	SL23649	COMMUTAT.SWITCH 0.CT. 0401/C2	1,00			--
0011	MEVR01387	SL23894-1	BODY SENZA TERMINALI	1,00			--
0012	MEVR01132	SL23144	FUSE A LAMA 5 A.	2,00			--
0013	MEVR01383	SL23893-2	COVER PVC TRASP.	1,00			--
0014	MECI00310	SL23718	MICROSWITCH	3,00			--
0015	LAFN05615	SL39083	SPRING LEVA ANTISCH/SUPP. MICRO	1,00			--
0016	MPVR36404	SL23821	KNOB SPECTROL 635M.NE	1,00			--



Ref. K	Part n.	Customer part n.	Description	Quantity	Validity		Price
					From	To	
0001	LAFN05612	SL39082	PLATE ELETTRICA	1,00			--
0002	LAFN05614	SL39082-2	BRACKET RESISTENZE	1,00			--
0003	MEVR01556		BOX BASE	1,00			--
0004	MECE00336	SL23729	GEARCASE TRAZ. 24V	1,00			--
0005	MEVR01386	SL23894	FUSE CARRIER LAMA 6 POSTI	1,00			--
0006	METT45116	1380085	Remote Control Switch	1,00			--
0007	METT00056	SL23735	CONTACTOR T-106	1,00			--
0008	MECE00391	SL53053	RESISTANCE 1 OHM 50 W	1,00			--
0009	LAFN04047	SL07534	SPACER X SCHEDE M3 15x8x8	2,00			--
0010	MECE00369	SL23957	RESISTANCE CORAZZATA 10 OHM 50 WATT	1,00			--
0011	LAFN05613	SL39082-1	BRACKET PONTE DIODI	1,00			--
0012	MECE35767	SL23081	RECTIFIER LAV. E 450	1,00			--
0013	MEVR01116	SL23103	SUPPORT FUSIBILE 120 A	3,00			--
0014	MEVR01383	SL23893-2	COVER PVC TRASP.	1,00			--
0015	MEVR01346	SL23740	FUSE 125 A.	1,00			--
0016	VTVT34115	75019	SCREW TE M 5X 10 UNI 5739	2,00			--
0017	VTRS00516	SL06034	WASHER D. 5 INX	10,00			--
0018	VTDD15517	SL05043	NUT M 5 INX	2,00			--
0019	VTRS15913	SL06107	WASHER D. 4 GROVER A2 UNI1751	8,00			--
0020	VTVT00704	SL04149	SCREW TE M 4X 16 UNI5739 INOX	1,00			--
0021	VTRS00501	05109	WASHER D. 4 0.232 UNI 6592	3,00			--
0022	VTRS01080	05136	WASHER D. 8 GRW	6,00			--
0023	LAFN05927	SL39399		1,00			--
0024	MPVR02973	SL14303		4,00			--
0025	MECE00396	SL53089	BOARD DI AUTORITENUTA	1,00			--
0026	VTDD21115	SL05019	NUT M 3 INOX	4,00			--
0027	VTDD10776	05094	NUT M 8 X1 UNI 5588	6,00			--
0028	VTRS15908	SL06094	WASHER D. 5 INX GRW UNI 1751	6,00			--
0029	VTVT48694	SL04371	SCREW TCB TC 5 X12 UNI 9707 TZ	4,00			--
0030	VTVT01109	SL04092	SCREW TE M 6X 10 ZC. UNI 5739	2,00			--
0031	VTDD04369	75259	NUT M 4 TEF UNI 7473	1,00			--
0032	MEVR01339	SL23716-1L	COVER SCATOLA MOD.150	1,00			--
0033	MPVR02797	SL03578	BRACKET SALVADITA	2,00			--
0034	VTVR00238	SL14039	RIVET 4-10 ALLUMINIO	8,00			--
0035	MEVR01316	SL23650	FUSE A LAMA 10 A. 32V	1,00			--
0036	MEVR01380	SL23892	FUSE A LAMA	1,00			--
0037	VTRS00503	05118	WASHER D. 6 TE UNI 6798	2,00			--
0038	VTDD00130	SL05011	NUT M. 6	2,00			--
0039	VTVT00722	SL04179	SCREW	4,00			--
0040	VTVT43638	1105799	SCREW TCTC UNI 7687 4X55	2,00			--



Ref. K	Part n.	Customer part n.	Description	Quantity	Validity		Price
					From	To	
0001	MPVR06482		TANK RECOVERY CT100	1,00			--
0002	MPVR05867		TANK SOLUTION CT100-105 7024	1,00			--
0003	MPVR04089	SL17632	CRANKCASE FRONT PANEL CT100 RAL7024	1,00			--
0004	LAFN05592	SL39065	FRAME PANTHER	1,00			--

