



TORNADO INDUSTRIES, LLC
3101 WICHITA COURT
FORT WORTH, TX 76140
PHONE 800-VACUUMS
FAX 817-551-0719
WWW.TORNADOVAC.COM

Parts Manual
For Commercial Use Only



BR 22/14T MEDIUM WALK-BEHIND AUTOMATIC SCRUBBER
MODEL NO: 99695T

Form No. L9695TAAP 03/18 ©Tornado Industries, LLC. All rights reserved



Long -Term Buyer Protection Limited Warranty

Tornado Industries, LLC. warrants to the end user/ customer that the Tornado product(s) will be free from defects in material and workmanship for the duration(s) described below. This limited warranty DOES NOT cover machines and/or components subject to normal wear and tear, damage that occurs in shipping, failures resulting from modification, accident, unsuitable operating environment, misuse, abuse, **neglect, or improper maintenance**. For full details, contact your Authorized Tornado Distributor, Service Center, or the Tornado Technical Service Department. Tornado sales and service representatives are not authorized to waive or alter the terms of this warranty, or to increase the obligations of Tornado under the warranty.

10 Years*

Plastic water tanks and Rotationally-molded bodies

2 Years*

Parts on all Tornado cleaning equipment

1 Year*

Labor on all Tornado cleaning equipment

1 Year*

Warranty on batteries, one year prorated

All battery warranties are handled directly by the battery manufacturer, on a one year prorated basis

Terms subject to change without notice

1. All Windshear™ Blowers, Storm, TV2SS, Side and Dowlndraft, Insulation Blowers, CV 30, CV 38, CK14/1 PRO, CK 14/2 PRO, SWM 31/9, CK LW13/1, CK LW 13/1 ROAM, CV 38/48 Dual, PV6, PV10, PV6 ROAM, Wall Mount Vacuum and all chargers are warranted for 1 (one) year for both parts and labor.
2. All non-wear item parts purchased after warranty expiration are warranted for 90 days.
3. Warranty starts from either: The date of sale to the consumer, or 6 months after the dealer purchased the unit from Tornado (at Tornado's discretion), whichever comes first.
4. The EB 30 is warranted for a period of 90 days for both parts and labor.
5. Propane-powered equipment engines are limited to the engine manufacturer's warranty.
6. Ride-on Scrubbers are warranted for 24 months parts, and 6 months labor, or 1,000 hours, whichever occurs first.

Note: Tornado, The Latest Dirt, Floorkeeper, Carpet-keeper, Carpetrinser, Carpetrinser/Dryer, Headmaster, Taskforce, PAC-VAC, T-Lite, Glazer, Windshear, Max-Vac and Trot-Mop are trademarks of Tornado Industries

Website: www.tornadovac.com

Phone 1-800-VACUUMS

Fax 817-551-0719

Address 3101 Wichita Court

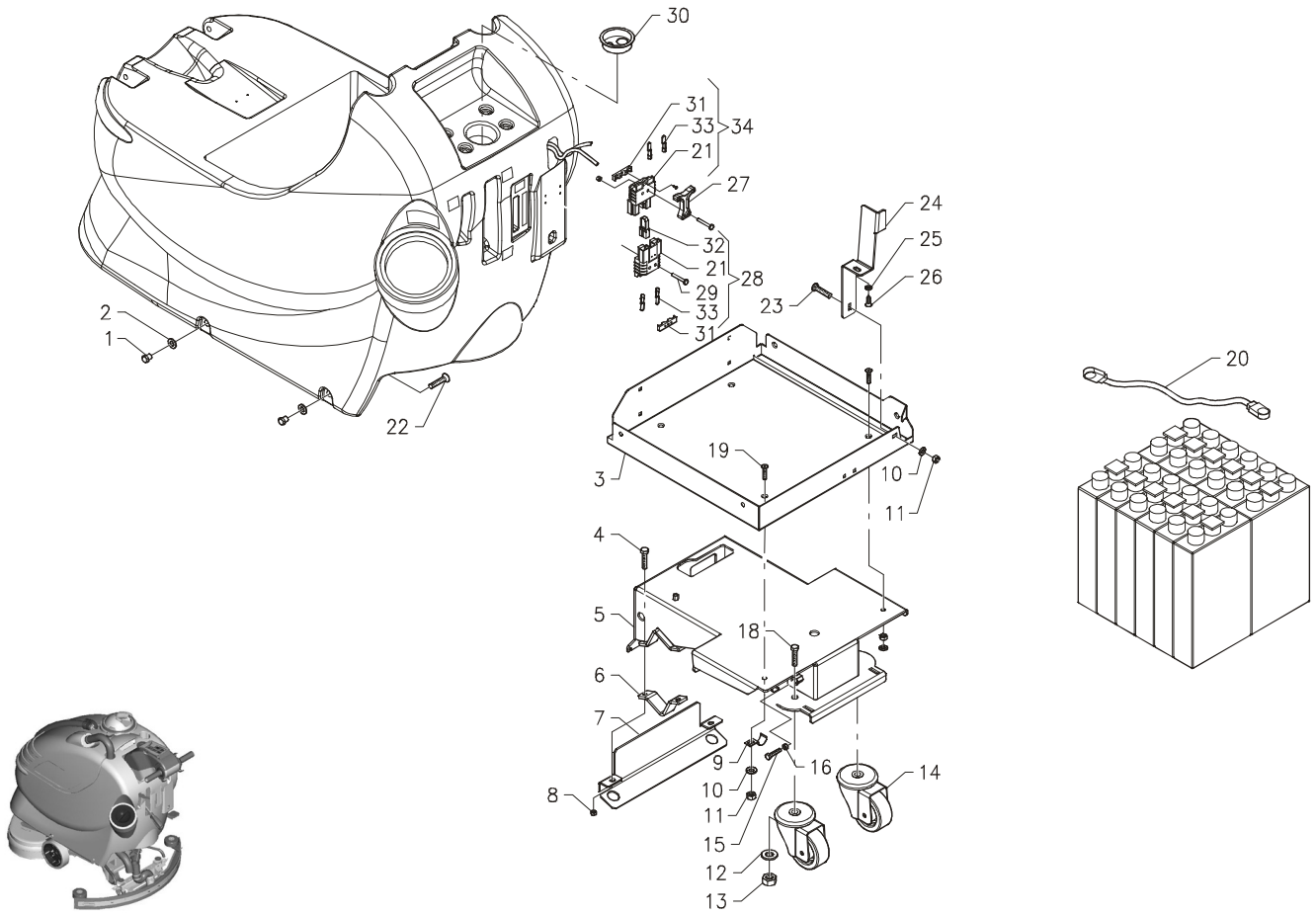
Fort Worth, TX 76140

1-800-VACUUMS

Over 90 Years of Cleaning Innovation

A Tacony Company

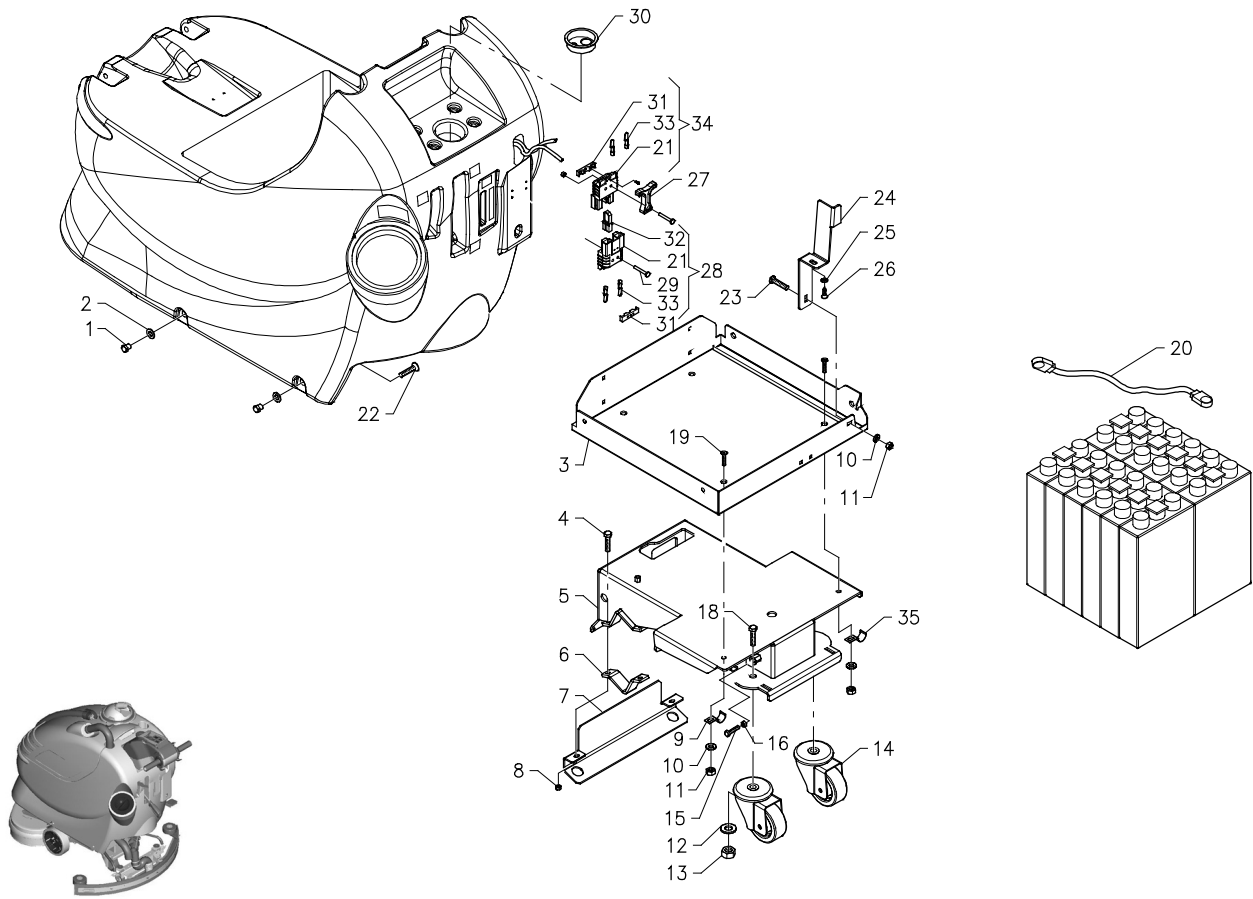
Table of Contents	
Frame Assembly (Up to S/N 12001353)	4
S/N 12001354	6
Brush Base Control Assembly (Up to S/N 08001620)	8
From S/N 08001621	10
Control Levers (Up to S/N 10002575)	12
S/N 10002576 - 12001938	14
From S/N 12001939	16
Squeegee Assembly (Up to S/N 15001222)	18
From S/N 15001223	20
Squeegee Control Assembly (Up to S/N 09001431)	22
S/N 09001432 - 10004117	24
S/N 10004118 - 12001353	26
From S/N 12001354	28
Brush Base Assembly (Up to S/N 08001620)	30
S/N 08001621 - 09001054	32
S/N 09001055 - 10000582	34
S/N 10000583 - 10000918	36
From S/N 10000919	38
Brak-Wheel Assembly (Up to S/N 16004222)	40
From S/N 16004223	42
Handlebar Assembly (S/N 11003233 - 14004370)	44
S/N 14004371 - 16001322	46
From S/N 16001323	48
Tanks and Vacuum Assembly (Up to S/N 09001631)	50
S/N 09001632 - 10002575	52
Tamks Assembly S/N 10002576 - 150002488	54
S/N 15002489 - 17000169	56
Vacuum Assembly (From S/N 10002576)	58
Water Unit (Up to S/N 09001051)	60
S/N 09001052 - 11003232	62
From S/N 11003233	64
3S Water Unit Assembly	66
Electrical Layout S/N 12001944 - 15002700	68
S/N 15002701 - 17000169	70
From S/N 17000170	72
Battery Charger Assembly	74
Traction Control Assembly (Up to S/N 14002190)	76
From S/N 14002191	78



Return to TOC

No.	Part No.	Qty	Description
1	47101100	4	Bushing
2	60510004	4	Conical Washer
3	48002500	1	Battery Base
4	60110811	1	Screw M8 x 30
5	46102100	1	FRAME
6	20201010	2	Clamp
7	20201020	1	Drive Motor Protection
8	60220802	2	Lock Nut
9	61940001	1	Hose Clip
10	60306007	2	Washer
11	60220601	2	Lock Nut
12	60313002	2	Washer INOX
13	60221201	2	Lock Nut
14	46531020	2	3" Caster Assembly
15	60111023	2	SCREW M10x60
16	60211004	2	Nut
18	60111203	2	Screw M12 x 35
19	60180603	4	Screw M6 x 16 INOX
20	49802024	3	Black Battery Jumper Cable
21	18237	1	SB 50 Housing Connector
22	60180605	2	Screw M6 x 18
23	60100601	1	Screw M6 x 16
24	20201030	1	Pedal Stop
25	60305005	1	Washer
26	60190424	1	Screw M4.8 x 16
29	60190418	2	Screw M4.2 x 32

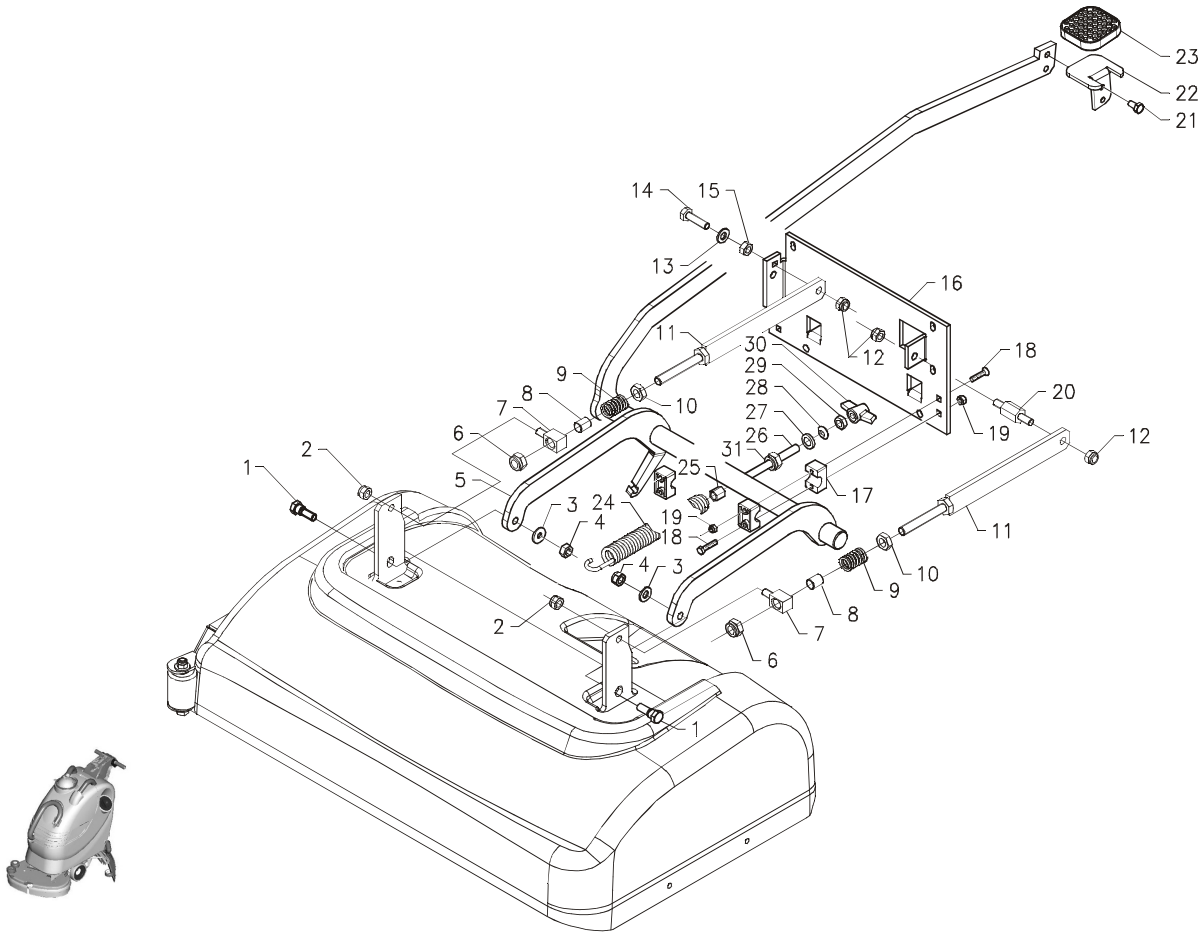
Return to TOC



[Return to TOC](#)

No.	Part No.	Qty	Description
1	47101100	4	Bushing
2	60510004	4	Lock Washer
3	48002500	1	Battery Base
4	60110810	4	Screw M8 x 30 INOX
5	46102200	1	Frame
6	20201010	2	Drive Motor Clamp
7	20201020	1	Drive Motor Protection
8	60220804	4	Lock Nut INOX
9	61940001	1	Hose Clip
10	60306008	3	Washer INOX
11	60220603	4	Lock Nut INOX
12	60313002	2	Washer INOX
13	60221202	2	Lock Nut INOX
14	46531020	2	Caster Wheel M80 x 30
15	60111024	2	Screw M10 x 60 INOX
16	60211002	2	Nut INOX
18	60111207	2	Screw M12 x 35 INOX
19	60180603	4	Screw M6 x 16 INOX
20	49802024	1	Black Battery Jumper Cable
21	18237	2	SB 50 Housing Connector
22	60180605	4	Screw M6 x 18
23	60100603	1	Screw M6 x 16 INOX
24	20201030	1	Pedal Stop
25	60305006	1	Washer INOX
26	60190502	1	Screw M5 x 16
27	63120004	1	Connector Lever
28	63110021	1	Bipolar Connector Male
29	60190418	2	Screw M4.2 x 32
30	47800120	1	Guide
31	63140002	2	Guide w/Screws
32	63140001	1	Polarizer
33	63130005	4	Contact
34	63110022	1	Bipolar Connector Female

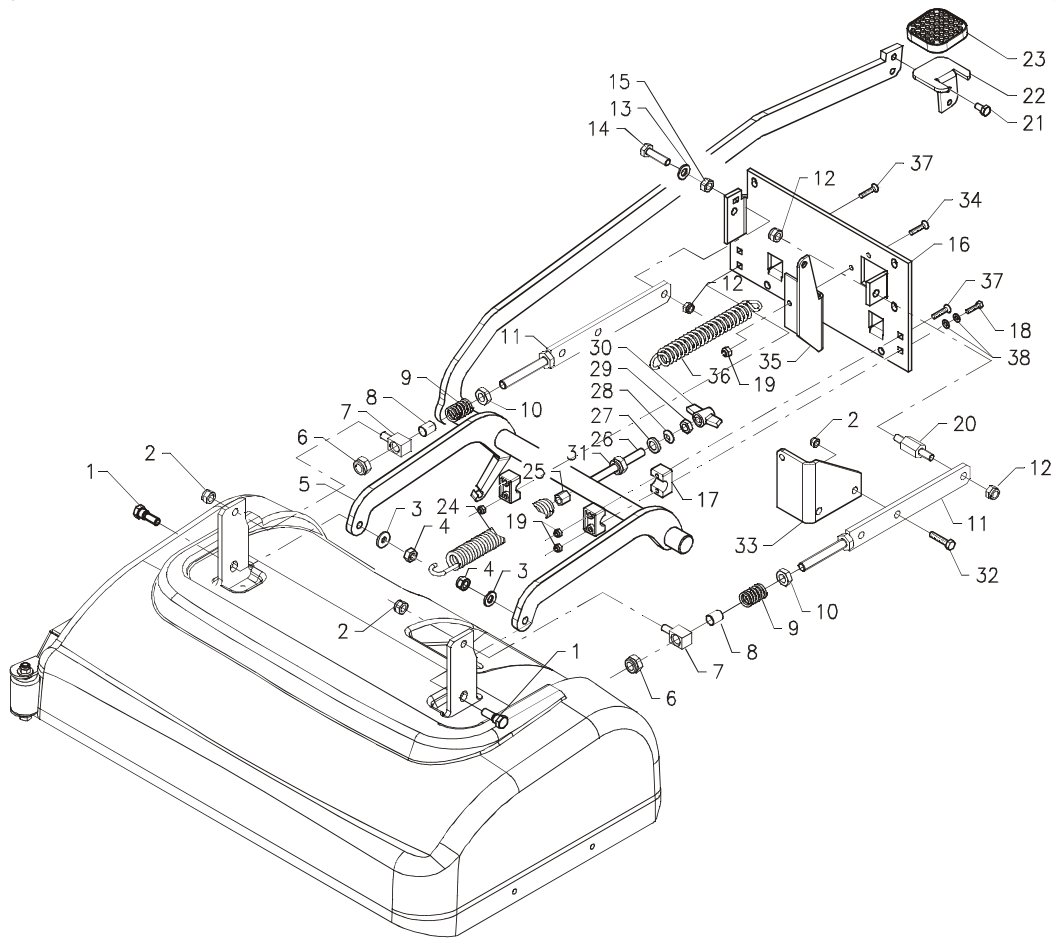
[Return to TOC](#)



Return to TOC

No.	Part No.	Qty	Description
1	20203050	2	Stud Bolt
2	60220801	2	Lock Nut
3	60506005	2	Lock Washer
4	60210608	2	Nut
5	20203100	1	Brush Base Control
6	60221002	2	Lock Nut
7	20203020	2	Arm Adjuster
8	20203060	2	Spring Guide
9	47210100	2	Compression Spring
10	60211006	2	Nut
11	20203530	2	Arm Adjuster
12	60220801	2	Lock Nut
13	60308004	1	Washer
14	60110811	1	Screw M8 x 30
15	60220801	1	Lock Nut
16	20201500	1	Plate
17	20203520	4	Base Control Holder
18	60100607	8	Screw M6 x 70
19	60220601	8	Lock Nut
20	20203110	1	Spacer
21	60110604	2	Screw M6 x 12
22	20203500	1	Pedal Plate
23	20103040	1	Pedal Cover
24	47220140	1	Traction Spring
25	62406015	1	Insert
26	62406005	1	Threaded Tie Rod INOX
27	20203560	1	Spherical Bushing Bracket
28	20203550	1	Spherical Bushing
29	60210805	1	Nut
30	61708003	1	Wing Nut

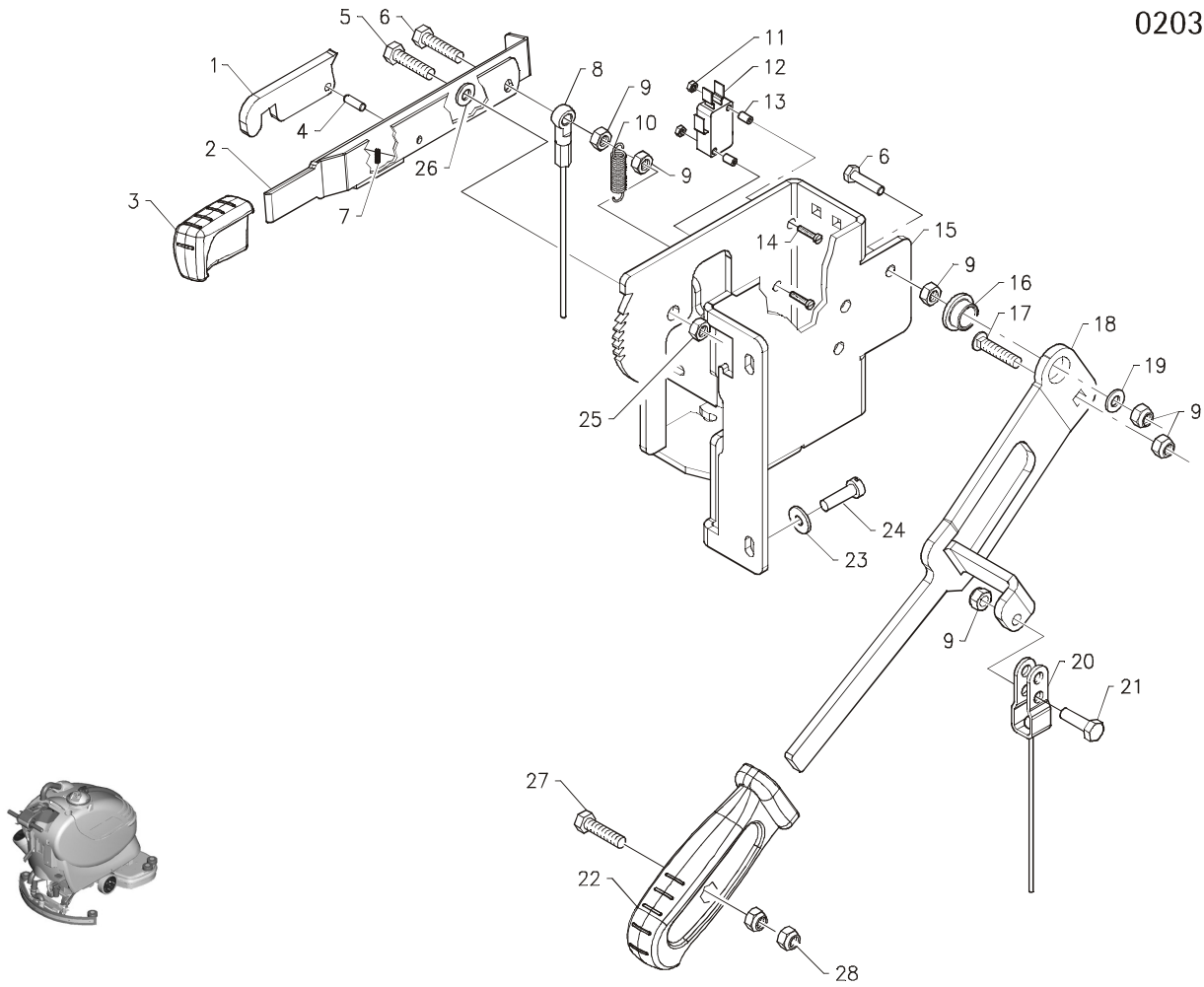
Return to TOC



Return to TOC

No.	Part No.	Qty	Description
1	20203050	2	Stud Bolt
2	60220801	3	Lock Nut
3	60506005	2	Lock Washer
4	60210608	2	Nut
5	20203100	1	Brush Base Control
6	60221002	2	Lock Nut
7	20203020	2	Arm Adjuster
8	20203060	2	Spring Guide
9	47210100	2	Compression Spring
10	60211006	2	Nut
11	20203530	2	Arm Adjuster
12	60220801	3	Lock Nut
13	60308004	1	Washer
14	60110811	1	Screw M8 x 30
15	60220801	1	Lock Nut
16	20201500	1	Plate
17	20203520	4	Base Control Holder
18	60110623	8	Screw M6 x 50
19	60220601	8	Lock Nut
20	20203110	1	Spacer
21	60110604	2	Screw M6 x 12
22	20203500	1	Pedal Plate
23	20103040	1	Pedal Cover
24	47220140	1	Traction Spring
25	62406015	1	Insert
26	62406005	1	Threaded Tie Rod INOX
27	20203560	1	Spherical Bushing Bracket
28	20203550	1	Spherical Bushing
29	60210805	1	Nut
30	61708003	1	Wing Nut
31	60220801	1	Lock Nut
32	60110806	1	Screw M8 x 20 INOX
33	20203120	1	Support
34	60180605	1	Screw M6 x 18
35	20201100	1	Spring Support Plate
36	47220200	1	Traction Spring
37	60100606	3	Screw M6 x 50
38	60306007	2	Washer

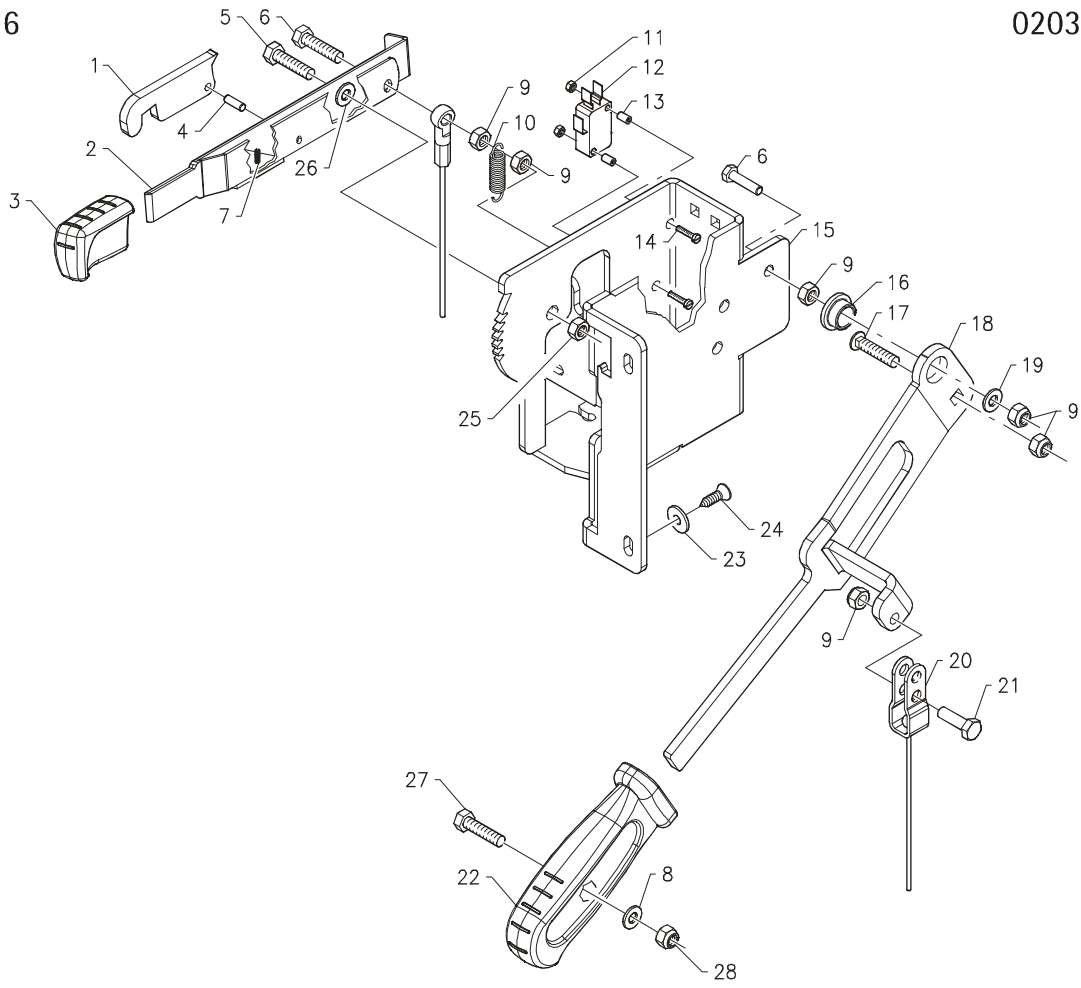
Return to TOC



Return to TOC

No.	Part No.	Qty	Description
1	20208060	1	Blocking Lever
2	20208050	1	Brake Lever
3	61810006	1	Brake Control Knob
4	60604002	1	Parallel Pin
5	60110807	1	Screw M8 x 20
6	60110617	2	Screw M6 x 25
7	47210090	1	Compression Spring
8	62401001	1	Brake Cable
9	60220601	6	Lock Nut
10	47220040	1	Traction Spring
11	60220301	2	Lock Nut
12	63409004	1	Microswitch 10A
13	47001060	2	Spacer
14	60140305	2	Screw M3 x 25
15	20208030	1	Lever Support Plate
16	47101070	1	Bushing
17	60100601	1	Screw M6 x 16
18	20205020	1	Squeegee Control Lever
19	60306007	1	Washer
20	20105520	1	Rope w/ Eye and Fork
21	60110612	1	Screw M6 x 20
22	61810005	1	Squeegee Control Knob
23	60305005	4	Washer
24	60190503	4	Screw M5.2 x 19
25	60220801	1	Lock Nut
26	60308004	1	Washer
27	60140404	1	Screw M4 x 16
28	60210402	2	Nut

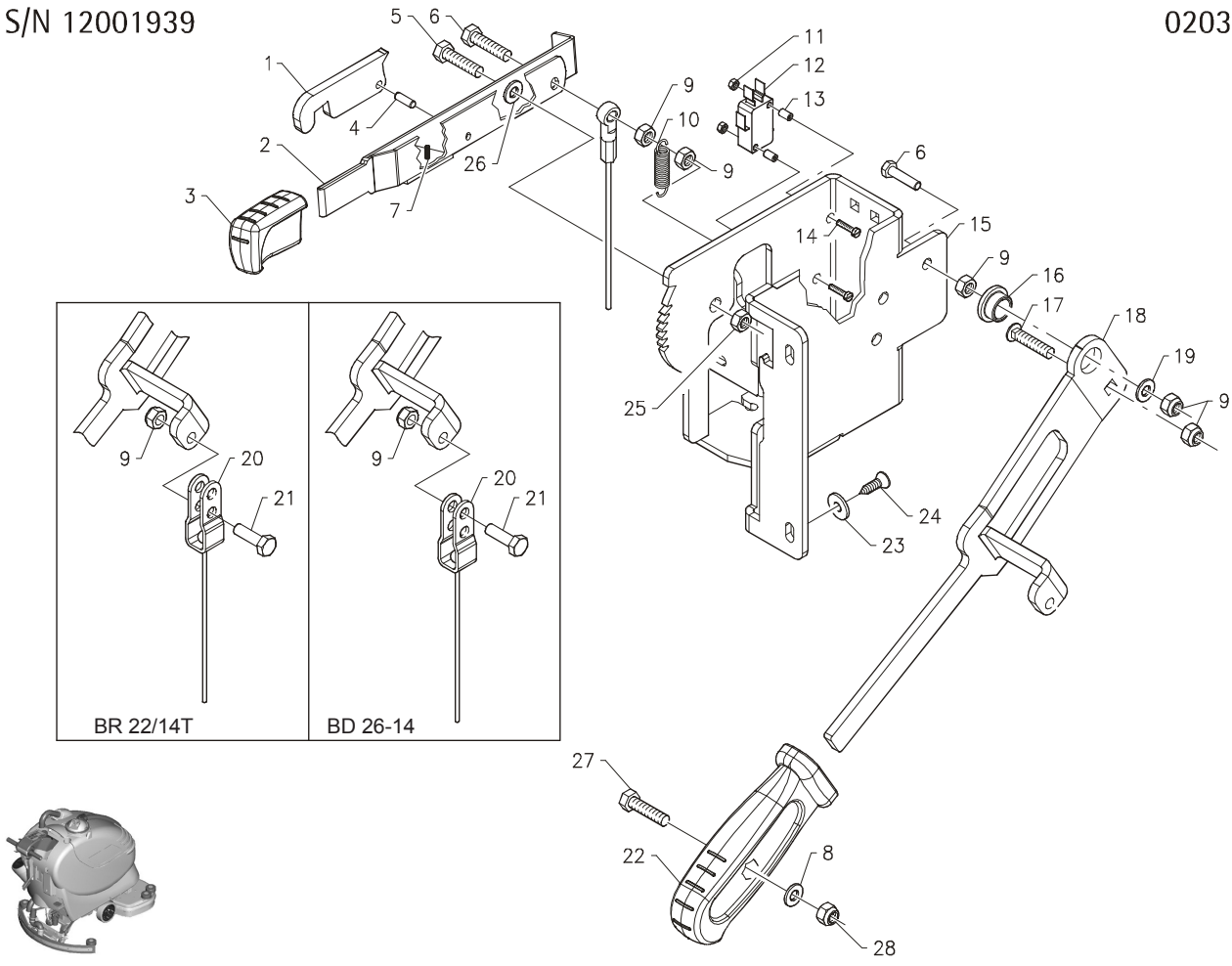
Return to TOC



Return to TOC

No.	Part No.	Qty	Description
1	20208060	1	Blocking Lever
2	20208050	1	Brake Lever
3	61810006	1	Brake Control Knob
4	60604002	1	Parallel Pin
5	60110807	1	Screw M8 x 20
6	60110617	2	Screw M6 x 25
7	47210090	1	Compression Spring
8	62401001	1	Brake Cable
9	60220601	6	Lock Nut
10	47220040	1	Traction Spring
11	60220301	2	Lock Nut
12	63409004	1	Microswitch 10A
13	47001060	2	Spacer
14	60140305	2	Screw M3 x 25
15	20208030	1	Lever Support Plate
16	47101070	1	Bushing
17	60100601	1	Screw M6 x 16
18	20205020	1	Squeegee Control Lever
19	60306007	1	Washer
20	20105150	1	Rope w/ Eye and Fork
21	60110612	1	Screw M6 x 20
22	61810005	1	Squeegee Control Knob
23	60305005	4	Washer
24	60190503	4	Screw M5.2 x 19
25	60220801	1	Lock Nut
26	60308004	1	Washer
27	60140404	1	Screw M4 x 16
28	60210402	2	Nut

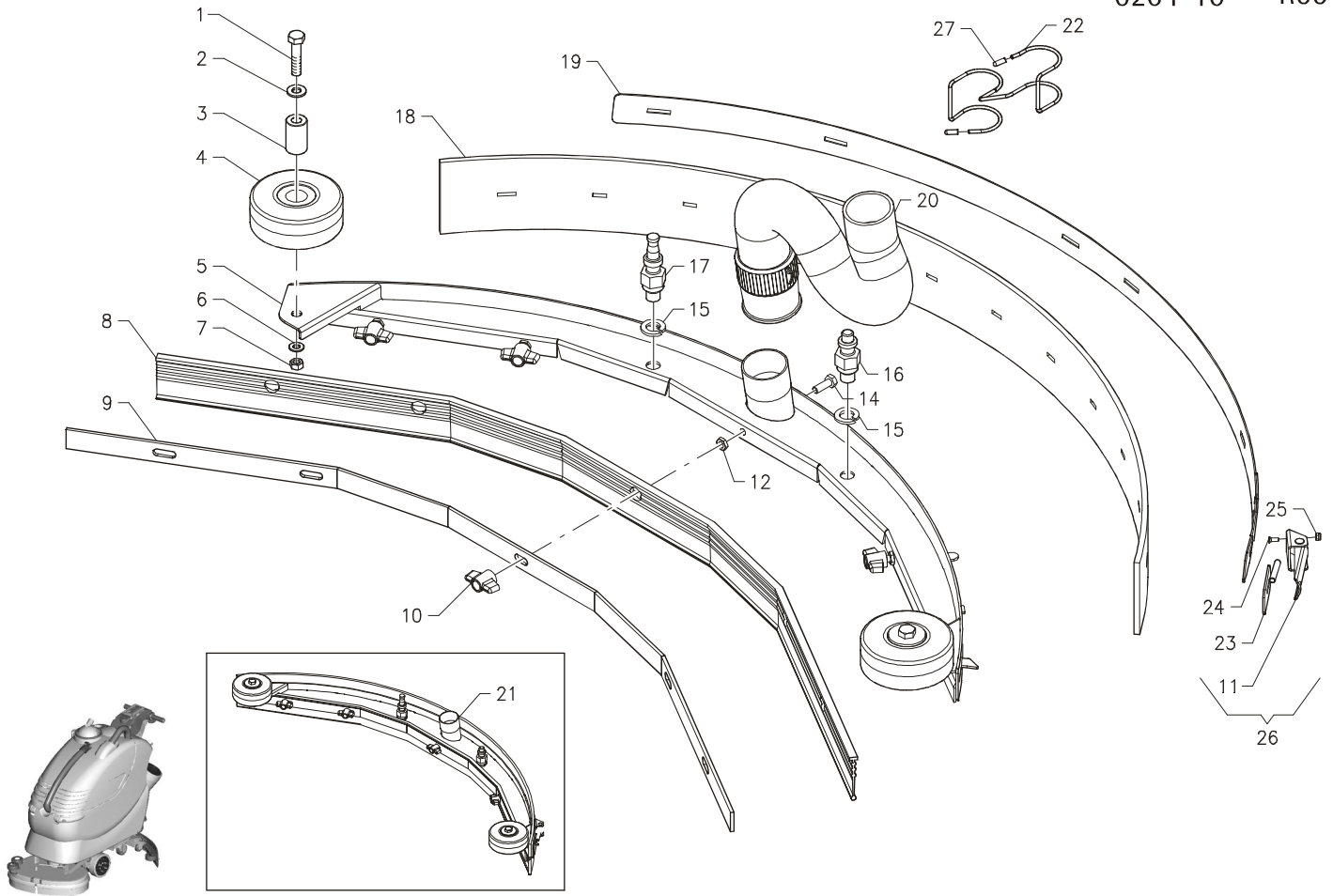
[Return to TOC](#)



Return to TOC

No.	Part No.	Qty	Description
1	20208060	1	Blocking Lever
2	20208050	1	Brake Lever
3	61810006	1	Brake Control Knob
4	60604002	1	Parallel Pin
5	60110807	1	Screw M8 x 20
6	60110617	2	Screw M6 x 25
7	47210090	1	Compression Spring
8	62401001	1	Brake Cable
9	60220601	6	Lock Nut
10	47220040	1	Traction Spring
11	60220301	2	Lock Nut
12	63409004	1	Microswitch 10A
13	47001060	2	Spacer
14	60140305	2	Screw M3 x 25
15	20208030	1	Lever Support Plate
16	47101070	1	Bushing
17	60100601	1	Screw M6 x 16
18	20205020	1	Squeegee Control Lever
19	60306007	1	Washer
20	20105520	1	Rope w/ Eye and Fork
21	60110612	1	Screw M6 x 20
22	61810005	1	Squeegee Control Knob
23	60305005	4	Washer
24	60190503	4	Screw M5.2 x 19
25	60220801	1	Lock Nut
26	60308004	1	Washer
27	60140404	1	Screw M4 x 16
28	60210402	2	Nut

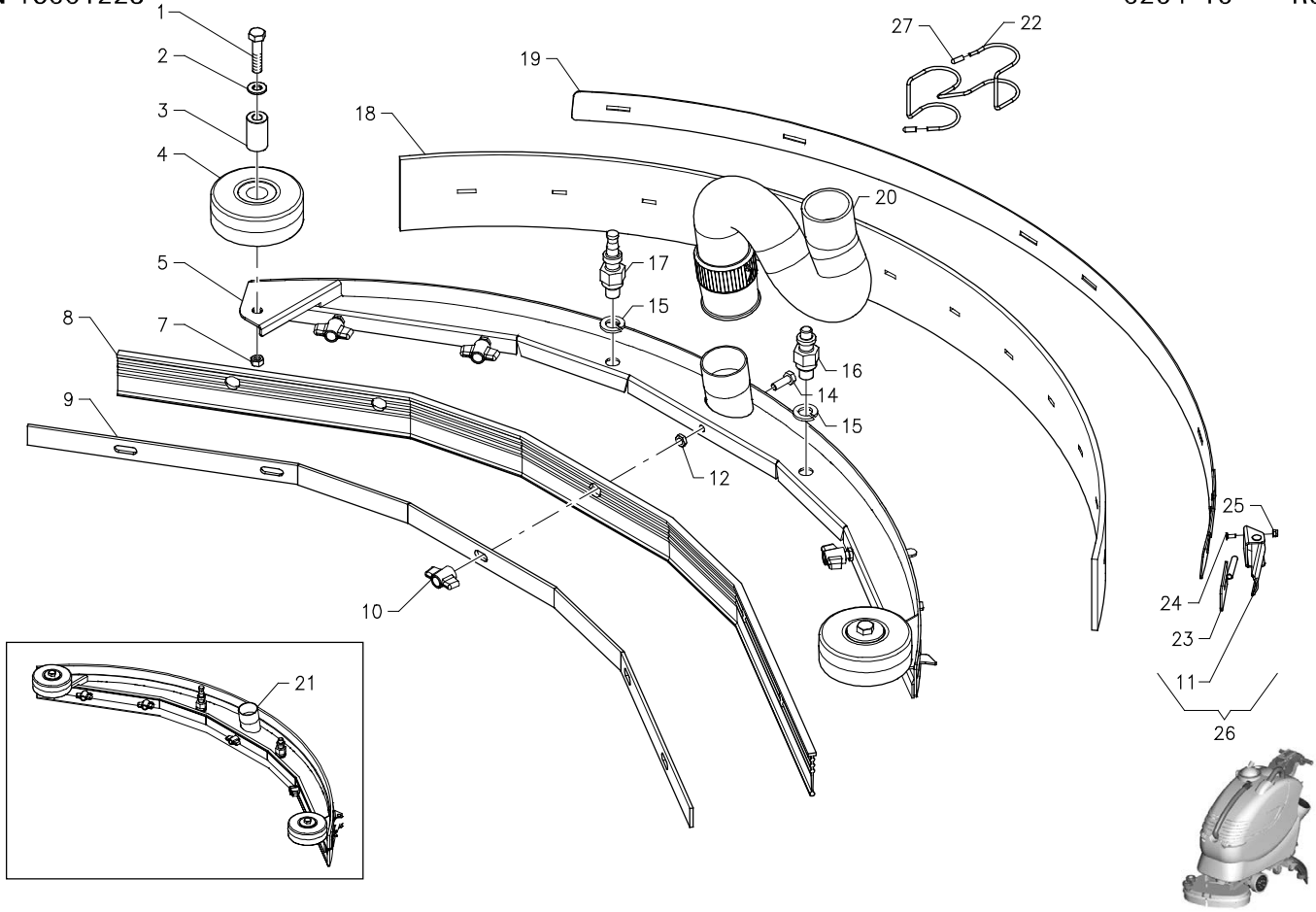
[Return to TOC](#)



Return to TOC

No.	Part No.	Qty	Description
1	60110822	2	Screw M8 x 45 INOX
2	60308010	2	Washer INOX
3	47101040	2	Bushing
4	46541010	2	Grey Bumper Wheel
5	48202030	1	Squeegee Body
7	60220803	2	Lock Nut INOX
8	48402020	1	Front Squeegee Rubber
9	48302030	1	Front Squeegee Blade
10	61706004	5	Wing Nut INOX
11	62200001	1	Hook Lever
12	60210601	5	Nut INOX
14	60110610	5	Screw M6 x 18 INOX
15	60512005	2	Lock Washer INOX
16	20104030	1	Left Stud Bolt
17	20104020	1	Right Stud Bolt
18	48402010	1	Rear Squeegee Rubber
19	48302010	1	Rear Squeegee Blade
20	47610010	1	Squeegee Hose
21	V8202030	1	Squeegee Assembly
22	47230030	1	Hose Guide Spring
23	20104010	1	Rear Blade Adjuster
24	60150303	2	Screw M3 x 10 INOX
25	60220302	2	Lock Nut INOX
26	V8302010	1	Rear Blade w/Latch Assembly
27	62010006	2	Protective Cap

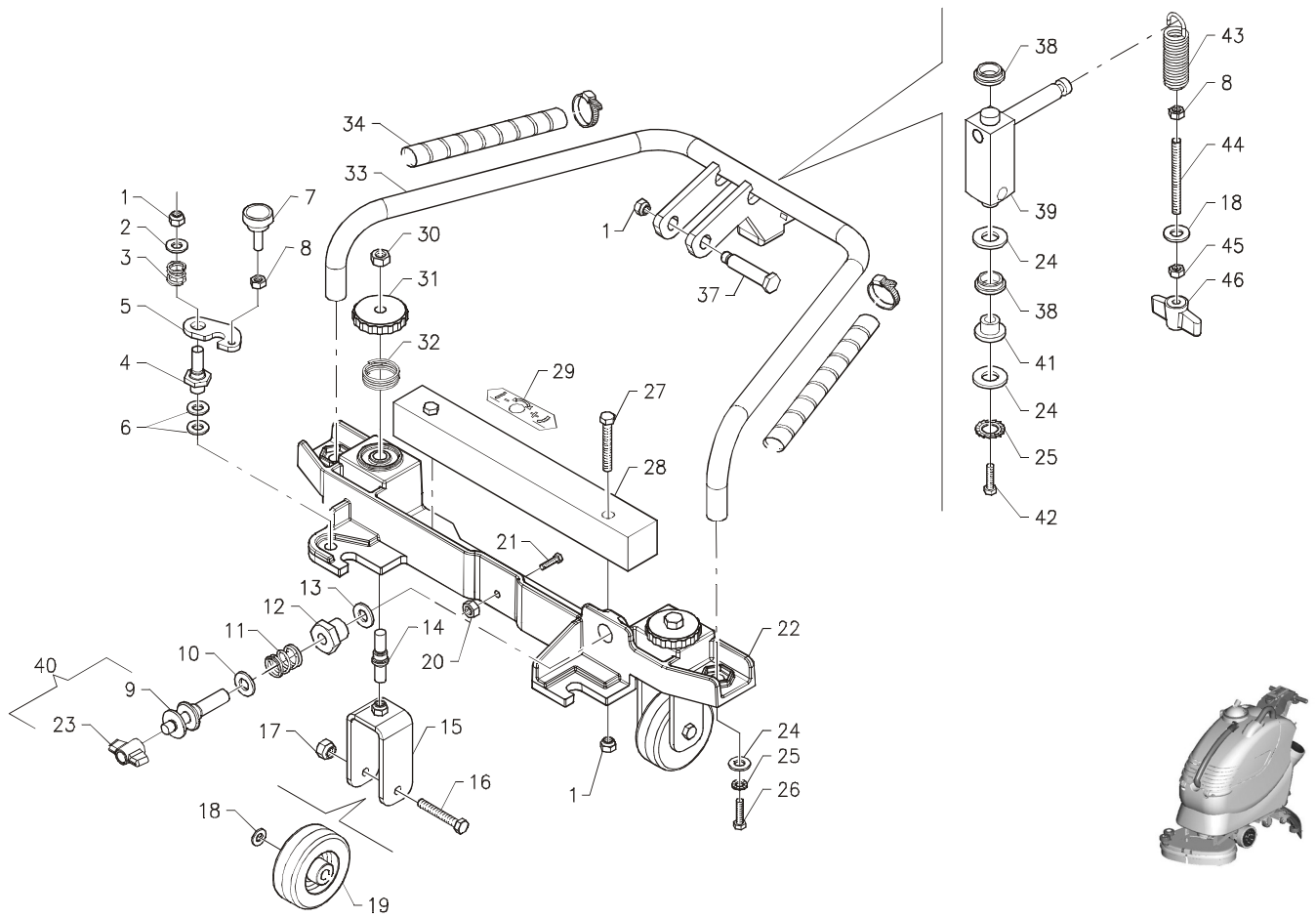
[Return to TOC](#)



Return to TOC

No.	Part No.	Qty	Description
1	60110822	2	Screw M8 x 45 INOX
2	60308010	2	Washer INOX
3	47101040	2	Bushing
4	46541010	2	Grey Bumper Wheel
5	48202030	1	Squeegee Body
7	60220803	2	Lock Nut INOX
8	48402020	1	Front Squeegee Rubber
9	48302030	1	Front Squeegee Blade
10	61706004	5	Wing Nut INOX
11	62200001	1	Hook Lever
12	60210601	5	Nut INOX
14	60110610	5	Screw M6 x 18 INOX
15	60512005	2	Lock Washer INOX
16	20104030	1	Left Stud Bolt
17	20104020	1	Right Stud Bolt
18	48402010	1	Rear Squeegee Rubber
19	48302010	1	Rear Squeegee Blade
20	47610010	1	Squeegee Hose
21	V8202030	1	Squeegee Assembly
22	47230030	1	Hose Guide Spring
23	20104010	1	Rear Blade Adjuster
24	60150303	2	Screw M3 x 10 INOX
25	60220302	2	Lock Nut INOX
26	V8302010	1	Rear Blade w/Latch Assembly
27	62010006	2	Protective Cap

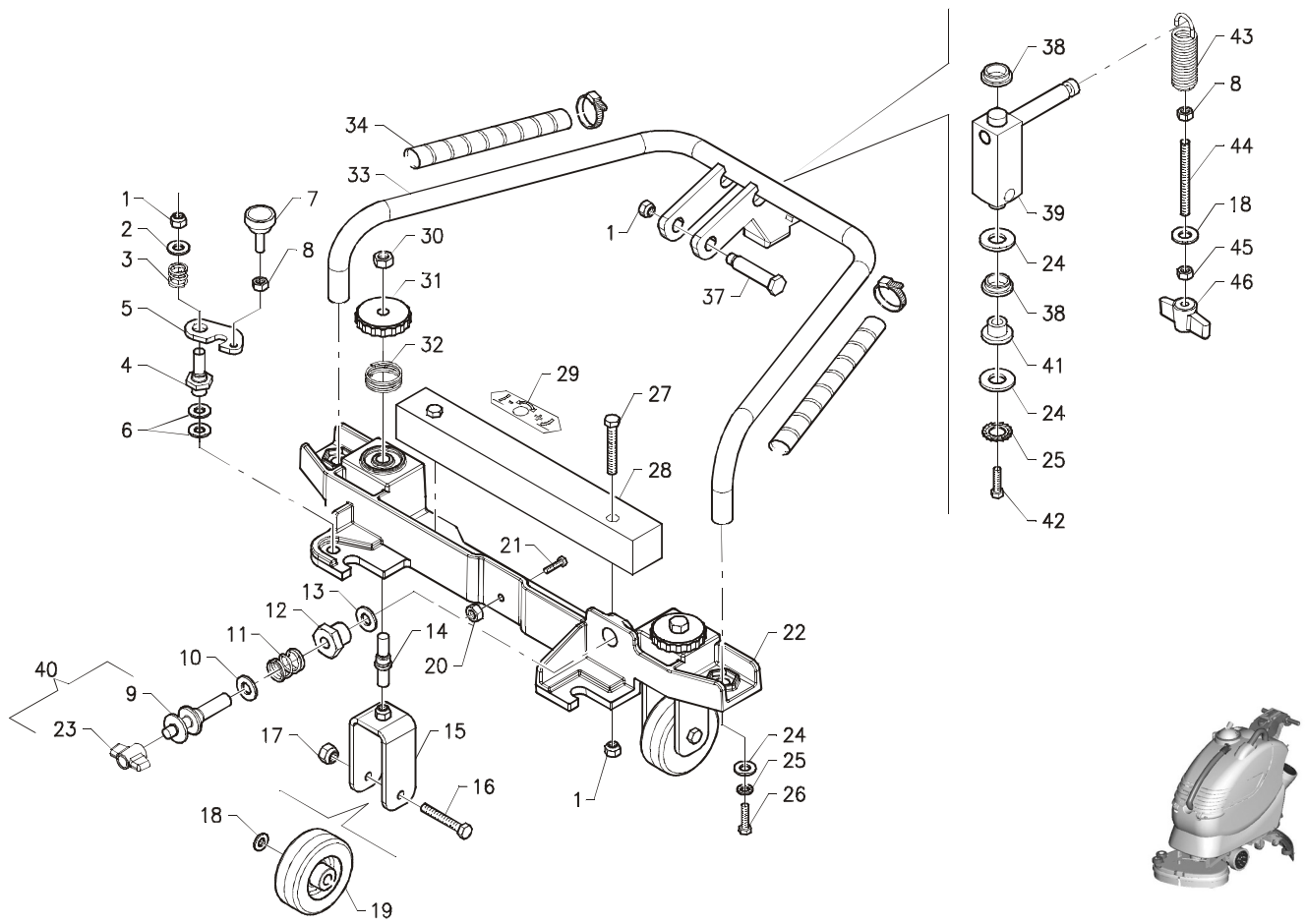
Return to TOC



Return to TOC

No.	Part No.	Qty	Description
1	60220804	1	Lock Nut INOX
2	60308003	1	Washer INOX
3	47210020	1	Compression Spring INOX
4	20105060	1	Coupler Pin
5	20105050	1	Squeegee Coupler
6	60510002	2	Lock Washer INOX
7	61706001	1	Handwheel M6 x 20
8	60210606	2	Nut INOX
9	20105070	1	Inclination Adjuster
10	60513001	1	Washer
11	47210030	1	Compression Spring INOX
12	47101060	1	Bushing
13	60516002	1	Lock Washer INOX
14	20105040	2	Wheel Adjuster Screw
15	V0105002	2	Support Wheel Assembly
16	60110625	2	Screw M6 x 45 INOX
17	60220602	2	Lock Nut INOX
18	60306008	1	Washer INOX
19	46511010	2	Wheel M60 x 22 + Bushing
20	60220503	1	Lock Nut INOX
21	60110506	1	Screw M5 x 18 INOX
22	20105020	1	Squeegee Support
23	61708002	1	Wing Nut
24	60306005	3	Washer INOX
25	60508006	3	Lock Washer
26	60110806	2	Screw M8 x 20 INOX
27	60110822	2	Screw M8 x 45 INOX
28	20105080	1	Drilled Weight
29	65001007	1	Height Adjustment Label
30	60210806	2	Nut INOX
31	61708001	2	Handwheel
32	47210010	2	Compression Spring INOX
33	20205010	1	Squeegee Arm
34	47807020	2	Sheath M.15 x 170
37	20105550	1	Squeegee Arm Pin
38	47103090	2	Bushing
39	20205050	1	Arm Joint
40	V0105001	1	Inclination Adjustment Assembly
41	60220604	3	Lock Nut INOX
42	60100611	3	Screw M6 x 20 INOX
43	47220090	1	Traction Spring
44	20205040	1	Tie Rod INOX
45	60210601	1	Nut INOX
46	61706003	1	Wing Nut

Return to TOC



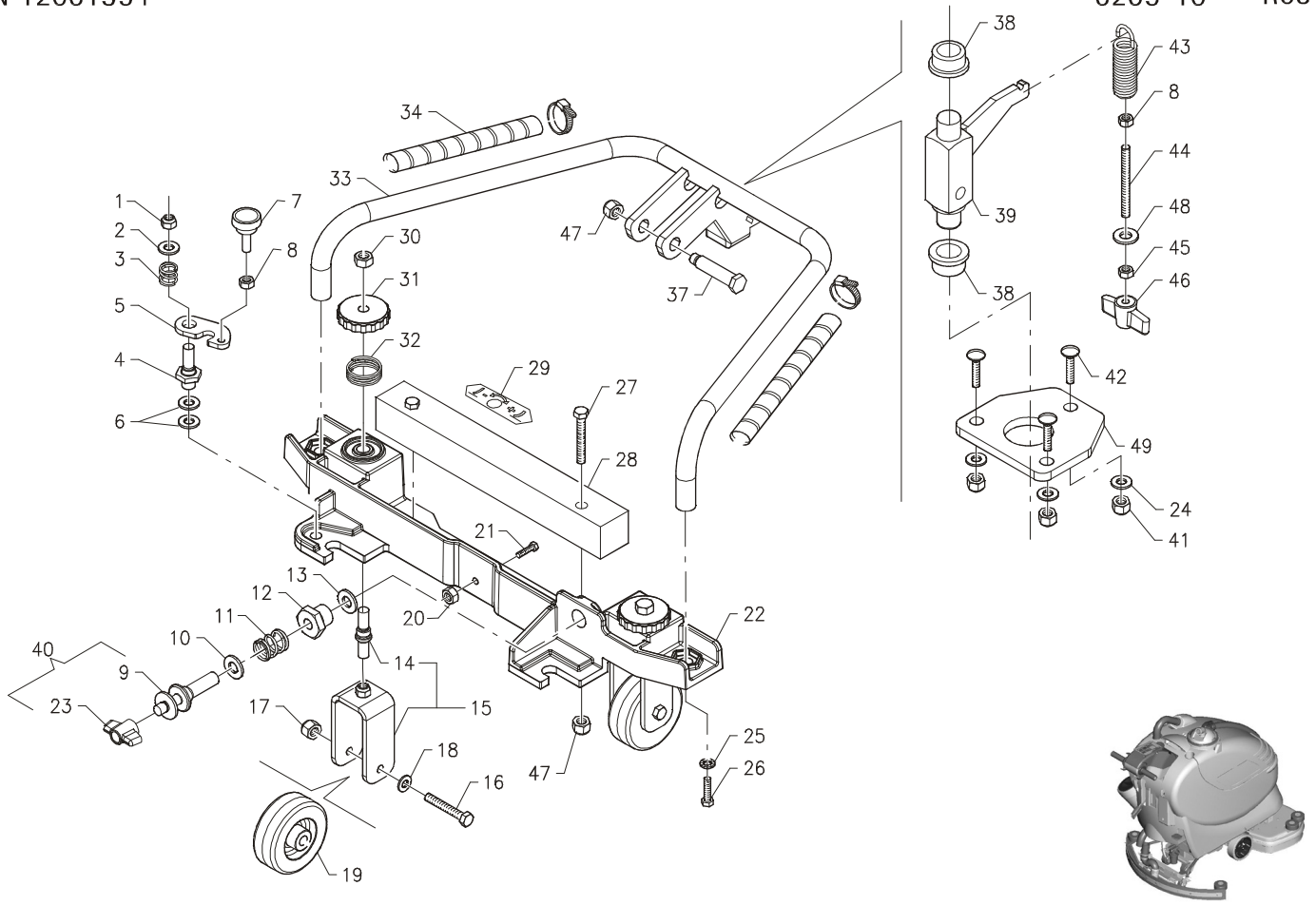
Return to TOC

No.	Part No.	Qty	Description
1	60220801	1	Lock Nut
2	60308004	1	Washer
3	47210020	1	Compression Spring INOX
4	20105060	1	Coupler Pin
5	20105050	1	Squeegee Coupler
6	60510001	2	Lock Washer
7	61706001	1	Handwheel M6 x 20
8	60210607	2	Nut
9	20105070	1	Inclination Adjuster
10	60513001	1	Washer
11	47210030	1	Compression Spring INOX
12	47101060	1	Bushing
13	60516001	1	Lock Washer
14	20105040	2	Wheel Adjuster Screw
15	20105030	2	Wheel Support
16	60110622	2	Screw M6 x 45
17	60220601	2	Lock Nut
18	60306007	1	Washer
19	46511010	2	Wheel M60 x 22 + Bushing
20	60220502	1	Lock Nut
21	60110505	1	Screw M5 x 18
22	20105020	1	Squeegee Support
23	61708002	1	Wing Nut
24	60309002	3	Washer
25	60508001	3	Lock Washer
26	60110807	2	Screw M8 x 20
27	60110823	2	Screw M8 x 45
28	20105080	1	Drilled Weight
29	65001007	1	Height Adjustment Label
30	60210805	2	Nut
31	61708001	2	Handwheel
32	47210010	2	Compression Spring INOX
33	20205010	1	Squeegee Arm
34	47807020	2	Sheath M.15 x 170
37	20105550	1	Squeegee Arm Pin
38	47102010	2	Bushing
39	20205030	1	Arm Joint
40	V0105001	1	Inclination Adjustment Assembly
41	47002050	3	Spacer
42	60110809	3	Screw M8 x 25
43	47220090	1	Traction Spring
44	20205040	1	Tie Rod INOX
45	60210601	1	Nut INOX
46	61706003	1	Wing Nut

Return to TOC

No.	Part No.	Qty	Description
1	60220804	1	Lock Nut INOX
2	60308003	1	Washer INOX
3	47210020	1	Compression Spring INOX
4	20105060	1	Coupler Pin
5	20105050	1	Squeegee Coupler
6	60510002	2	Lock Washer INOX
7	61706001	1	Handwheel M6 x 20
8	60210606	2	Nut INOX
9	20105070	1	Inclination Adjuster
10	60513001	1	Washer
11	47210030	1	Compression Spring INOX
12	47101060	1	Bushing
13	60516002	1	Lock Washer INOX
14	20105040	2	Wheel Adjuster Screw
15	V0105002	2	Support Wheel Assembly
16	60110625	2	Screw M6 x 45 INOX
17	60220602	2	Lock Nut INOX
18	60306008	1	Washer INOX
19	46511010	2	Wheel M60 x 22 + Bushing
20	60220503	1	Lock Nut INOX
21	60110506	1	Screw M5 x 18 INOX
22	20105020	1	Squeegee Support
23	61708002	1	Wing Nut
24	60308007	3	Washer INOX
25	60508006	3	Lock Washer
26	60110806	2	Screw M8 x 20 INOX
27	60110822	2	Screw M8 x 45 INOX
28	20105080	1	Drilled Weight
29	65001007	1	Height Adjustment Label
30	60210806	2	Nut INOX
31	61708001	2	Handwheel
32	47210010	2	Compression Spring INOX
33	20205010	1	Squeegee Arm
34	47807020	2	Sheath M.15 x 170
37	20105550	1	Squeegee Arm Pin
38	47102010	2	Bushing
39	20205030	1	Arm Joint
40	V0105001	1	Inclination Adjustment Assembly
41	47002050	3	Spacer
42	60110808	3	Screw M8 x 25 INOX
43	47220090	1	Traction Spring
44	20205040	1	Tie Rod INOX
45	60210601	1	Nut INOX
46	61706003	1	Wing Nut
47	60220803	3	Lock Nut INOX
48	60306011	1	Washer INOX

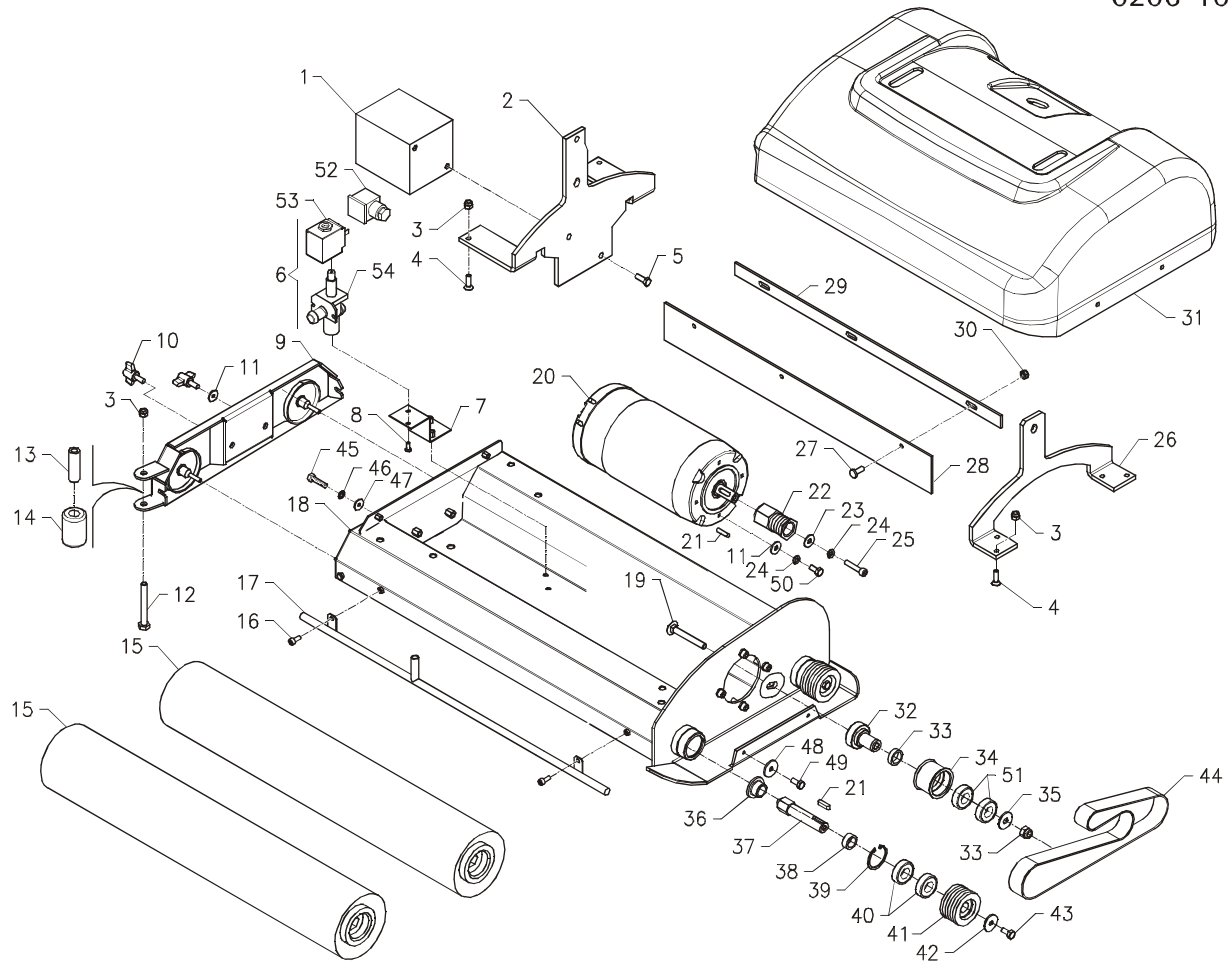
Return to TOC



Return to TOC

No.	Part No.	Qty	Description
1	60220804	1	Lock Nut INOX
2	60308003	1	Washer INOX
3	47210020	1	Compression Spring INOX
4	20105060	1	Coupler Pin
5	20105050	1	Squeegee Coupler
6	60510002	2	Lock Washer INOX
7	61706001	1	Handwheel M6 x 20
8	60210606	2	Nut INOX
9	20105070	1	Inclination Adjuster
10	60513001	1	Washer
11	47210030	1	Compression Spring INOX
12	47101060	1	Bushing
13	60516002	1	Lock Washer INOX
14	20105040	2	Wheel Adjuster Screw
15	V0105002	2	Support Wheel Assembly
16	60110625	2	Screw M6 x 45 INOX
17	60220602	2	Lock Nut INOX
18	60306008	1	Washer INOX
19	46511010	2	Wheel M60 x 22 + Bushing
20	60220503	1	Lock Nut INOX
21	60110506	1	Screw M5 x 18 INOX
22	20105020	1	Squeegee Support
23	61708002	1	Wing Nut
24	60306005	3	Washer INOX
25	60508006	3	Lock Washer
26	60110806	2	Screw M8 x 20 INOX
27	60110822	2	Screw M8 x 45 INOX
28	20105080	1	Drilled Weight
29	65001007	1	Height Adjustment Label
30	60210806	2	Nut INOX
31	61708001	2	Handwheel
32	47210010	2	Compression Spring INOX
33	20205010	1	Squeegee Arm
34	47807020	2	Sheath M.15 x 170
37	20105550	1	Squeegee Arm Pin
38	47103090	2	Bushing
39	20205050	1	Arm Joint
40	V0105001	1	Inclination Adjustment Assembly
41	60220604	3	Lock Nut INOX
42	60100611	3	Screw M6 x 20 INOX
43	47220090	1	Traction Spring
44	20205040	1	Tie Rod INOX
45	60210601	1	Nut INOX
46	61706003	1	Wing Nut
47	60220803	3	Lock Nut INOX
48	60306011	1	Washer INOX
49	20201060	1	Plate

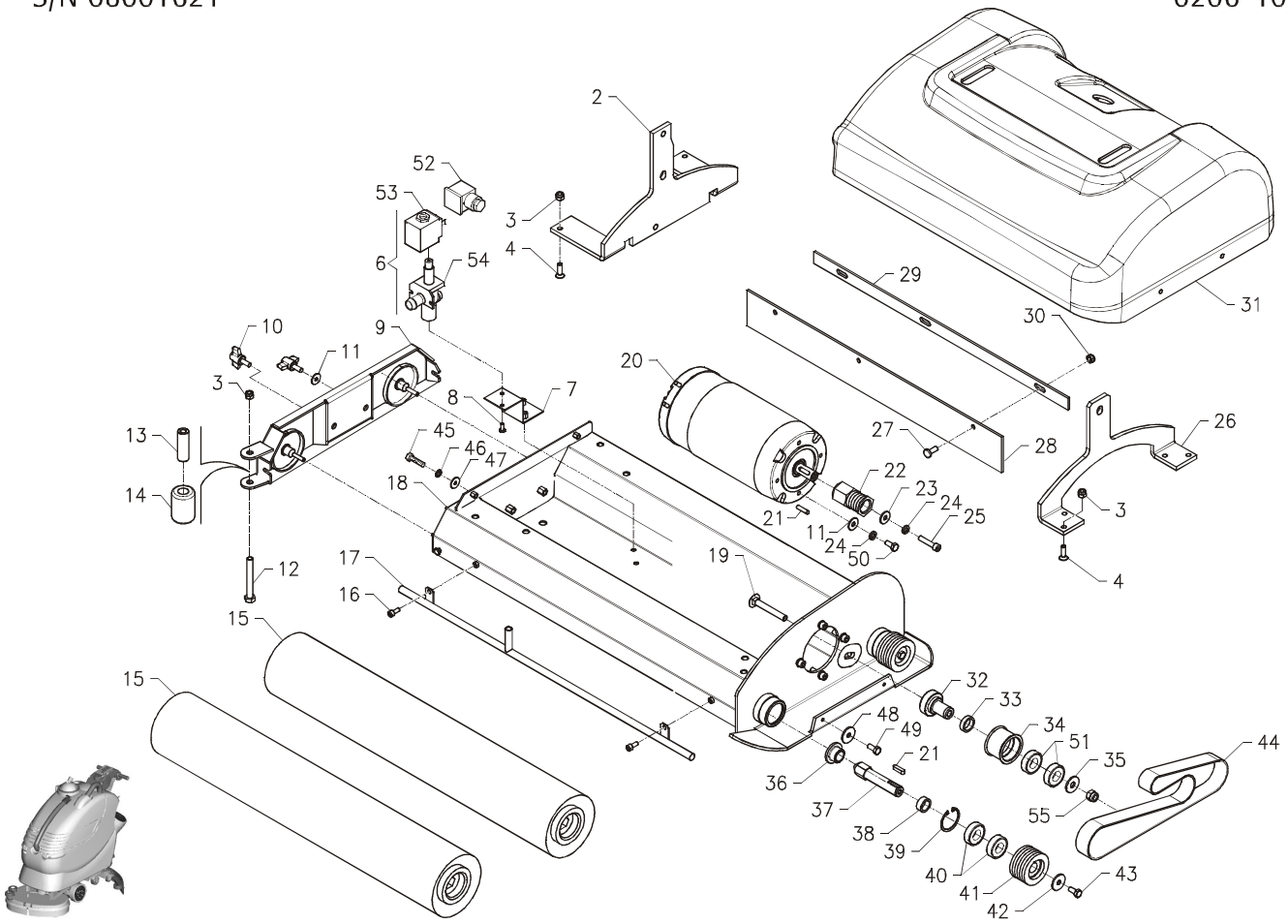
Return to TOC



Return to TOC

No.	Part No.	Qty	Description
1	20166110	1	Counter Weight
2	20206060	1	Right Base Coupling
3	60220604	3	Lock Nut INOX
4	60180606	2	Screw M6 X 18 INOX
5	60110608	1	Screw M6 x 16
6	47532020	1	Solenoid Valve Assembly
7	20106080	1	Solenoid Valve Support
8	60190315	1	Screw M4.2 X 16
9	20206020	1	Support
10	61706005	2	Wing Nut INOX
11	60306007	3	Washer
12	60110830	1	Screw M8 X 65
13	47101130	1	Bushing
14	46541020	1	Bumper Wheel
15	AR	2	Cylindrical Brush 105x533
16	60110504	2	Screw M5 X 16
17	20206030	1	Distributor
18	20206010	1	Tunnel
19	60100811	1	Screw M8 X 60
20	46220070	1	Motor 24V-550W
21	60905051	2	Key 5x5x20
22	46920170	1	Motor Pulley
23	60306007	1	Washer
24	60506004	2	Lock Washer
25	60110617	1	Screw M6 X 25
26	20206050	1	Left Base Coupling
27	60110606	3	Screw M6 X 14 INOX
28	48602100	1	Rear Tunnel Splash Guard Rubber
29	20206040	1	Rear Tunnel Splash Guard Blade
30	60220602	3	Lock Nut
31	20206080	1	Brush Cover
32	20106040	1	Pin
33	47001090	2	Spacer
34	46930050	1	Belt Tightener Pulley
35	60309002	1	Washer
36	20206090	2	Brush Stop
37	20206070	2	Pin
38	47001080	2	Spacer
39	61113201	2	Seeger Ring
40	61411502	4	Bearing SF 6002-2RS
41	46920180	2	Pulley
42	60306010	1	Washer
43	60110608	1	Screw M6 X 18
44	61610013	1	Belt
45	60110502	2	Screw M5 X 12
46	60505001	2	Lock Washer
47	60305005	2	Washer
48	60305005	2	Washer
49	60180502	2	Screw M5 X 12 INOX
50	60110612	1	Screw M6 X 20 INOX
51	61411705	2	Bearing SF 6003 2RS
52	47592010	1	Square Connector
53	47522010	1	Coil Solenoid Valve
54	47512040	1	Solenoid Valve Body

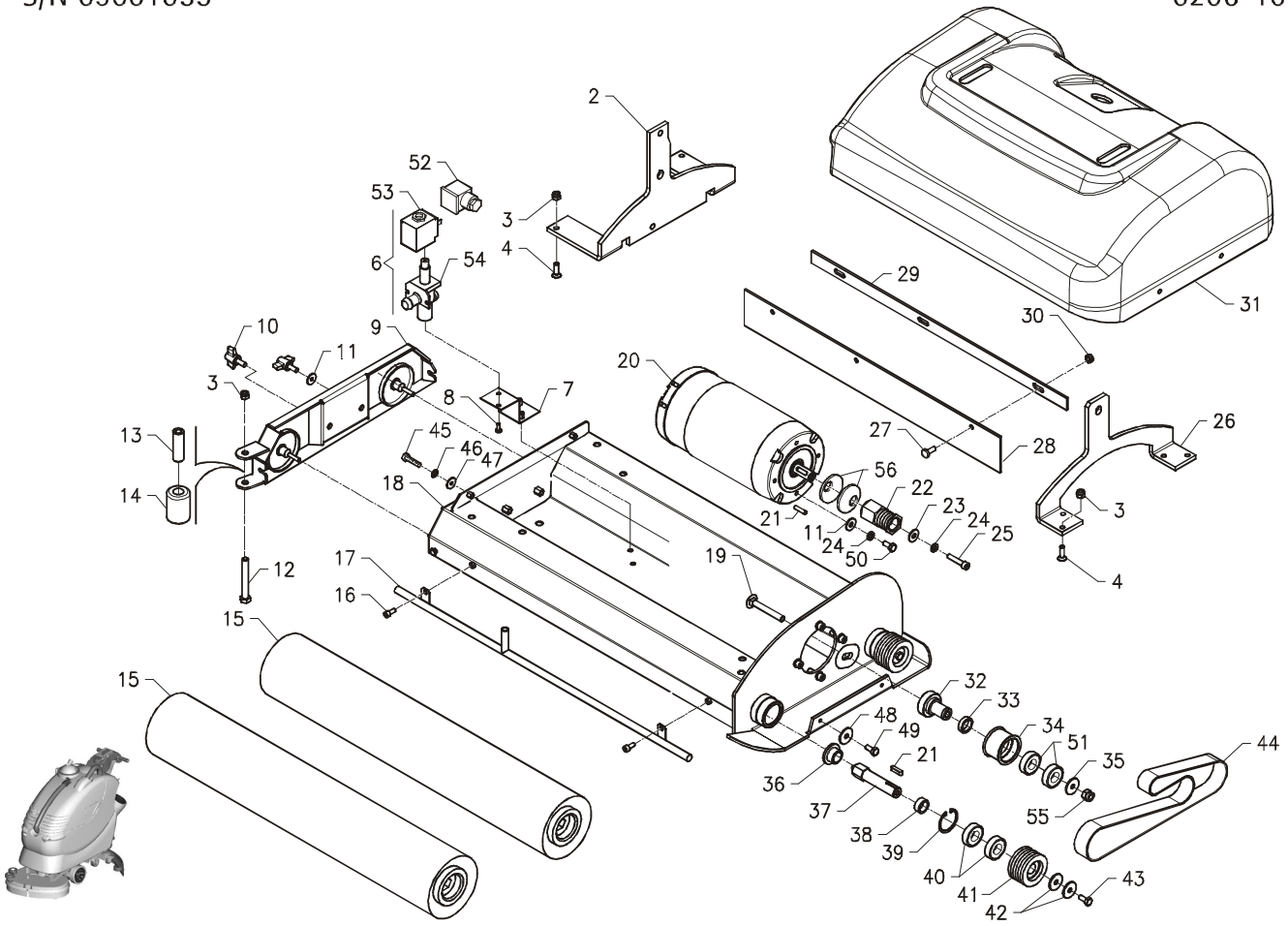
Return to TOC



Return to TOC

No.	Part No.	Qty	Description
2	20206110	1	Right Base Coupling
3	60220604	3	Lock Nut INOX
4	60180606	2	Screw M6 X 18 INOX
6	47532020	1	Solenoid Valve Assembly
7	20106080	1	Solenoid Valve Support
8	60190315	1	Screw M4.2 X 16
9	20206020	1	Support
10	61706005	2	Wing Nut INOX
11	60306007	3	Washer
12	60110830	1	Screw M8 X 65
13	47101130	1	Bushing
14	46541020	1	Bumper Wheel
15	AR	2	Cylindrical Brush 105x533
16	60110504	2	Screw M5 X 16
17	20206030	1	Distributor
18	20206010	1	Tunnel
19	60100811	1	Screw M8 X 60
20	46220070	1	Motor 24V-550W
21	60905051	2	Key 5x5x20
22	46920170	1	Motor Pulley
23	60306007	1	Washer
24	60506004	2	Lock Washer
25	60110616	1	Screw M6 X 25 INOX
26	20206050	1	Left Base Coupling
27	60110606	3	Screw M6 X 14 INOX
28	48602100	1	Rear Tunnel Splash Guard Rubber
29	20206040	1	Rear Tunnel Splash Guard Blade
30	60220602	3	Lock Nut
31	20206080	1	Brush Cover
32	20106040	1	Pin
33	47001090	2	Spacer
34	46930050	1	Belt Tightener Pulley
35	60309002	1	Washer
36	20206090	2	Brush Stop
37	20206070	2	Pin
38	47001080	2	Spacer
39	61113201	2	Seeger Ring
40	61411502	4	Bearing SF 6002-2RS
41	46920180	2	Pulley
42	60306010	1	Washer
43	60110610	1	Screw M6 X 18 INOX
44	61610013	1	Belt
45	60110502	2	Screw M5 X 12
46	60505001	2	Lock Washer
47	60305005	2	Washer
48	60305005	2	Washer
49	60180502	2	Screw M5 X 12 INOX
50	60110612	1	Screw M6 X 20 INOX
51	61411705	2	Bearing SF 6003 2RS
52	47592010	1	Square Connector
53	47522010	1	Coil Solenoid Valve
54	47512040	1	Solenoid Valve Body
55	60220804	1	Lock Nut INOX

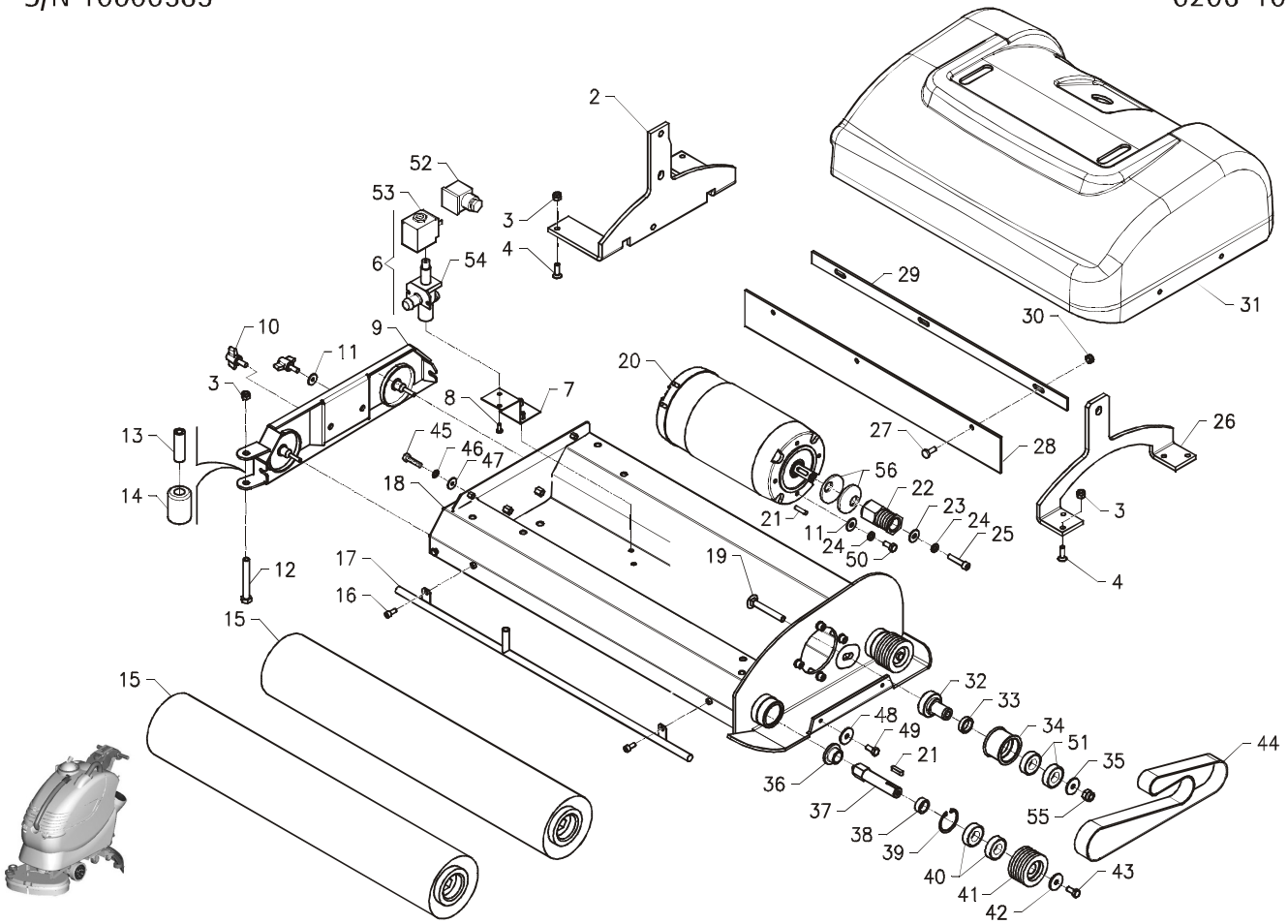
Return to TOC



Return to TOC

No.	Part No.	Qty	Description
2	20206110	1	Right Base Coupling
3	60220604	3	Lock Nut INOX
4	60180606	2	Screw M6 X 18 INOX
6	47532020	1	Solenoid Valve Assembly
7	20106080	1	Solenoid Valve Support
8	60190315	1	Screw M4.2 X 16
9	20206020	1	Support
10	61706005	2	Wing Nut INOX
11	60306007	3	Washer
12	60110830	1	Screw M8 X 65
13	47101130	1	Bushing
14	46541020	1	Bumper Wheel
15	AR	2	Cylindrical Brush 105x533
16	60110504	2	Screw M5 X 16
17	20206030	1	Distributor
18	20206010	1	Tunnel
19	60100811	1	Screw M8 X 60
20	46220070	1	Motor 24V-550W
21	60905051	2	Key 5x5x20
22	46920170	1	Motor Pulley
23	60306007	1	Washer
24	60506004	2	Lock Washer
25	60110616	1	Screw M6 X 25 INOX
26	20206050	1	Left Base Coupling
27	60110606	3	Screw M6 X 14 INOX
28	48602100	1	Rear Tunnel Splash Guard Rubber
29	20206040	1	Rear Tunnel Splash Guard Blade
30	60220602	3	Lock Nut
31	20206080	1	Brush Cover
32	20106040	1	Pin
33	47001090	2	Spacer
34	46930050	1	Belt Tightener Pulley
35	20606470	1	Washer
36	20206090	2	Brush Stop
37	20206070	2	Pin
38	47001080	2	Spacer
39	61113201	2	Seeger Ring
40	61411502	4	Bearing SF 6002-2RS
41	46920180	2	Pulley
42	20106160	1	Washer
43	60110610	1	Screw M6 X 18 INOX
44	61610013	1	Belt
45	60110502	2	Screw M5 X 12
46	60505001	2	Lock Washer
47	60305005	2	Washer
48	60305005	2	Washer
49	60180502	2	Screw M5 X 12 INOX
50	60110612	1	Screw M6 X 20 INOX
51	61411705	2	Bearing SF 6003 2RS
52	47592010	1	Square Connector
53	47522010	1	Coil Solenoid Valve
54	47512040	1	Solenoid Valve Body
55	60220804	1	Lock Nut INOX
56	47251410	1	Cupped Washer

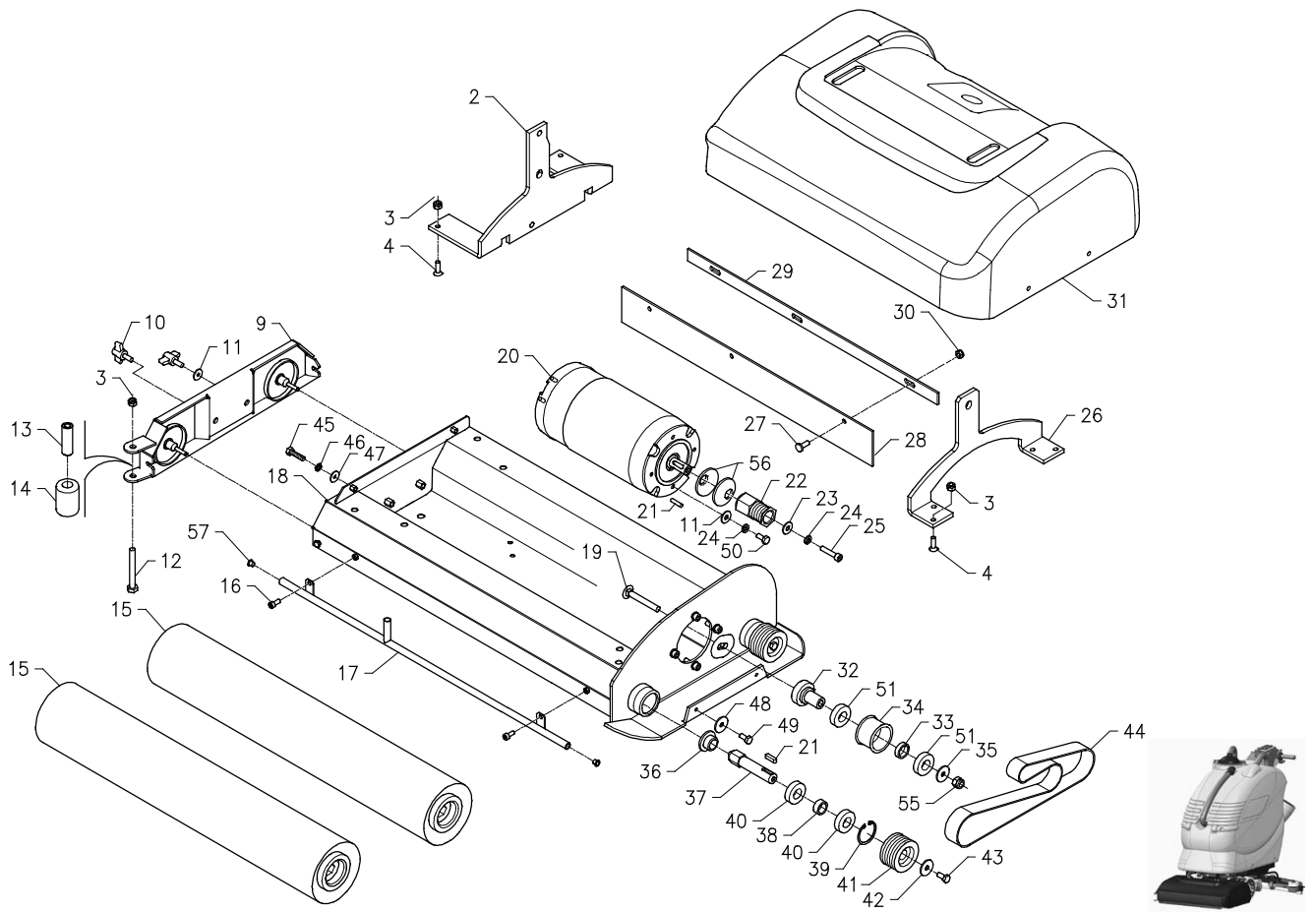
Return to TOC



Return to TOC

No.	Part No.	Qty	Description
2	20206110	1	Right Base Coupling
3	60220604	3	Lock Nut INOX
4	60180606	2	Screw M6 X 18 INOX
6	47532020	1	Solenoid Valve Assembly
7	20106080	1	Solenoid Valve Support
8	60190315	1	Screw M4.2 X 16
9	20206020	1	Support
10	61706005	2	Wing Nut INOX
11	60306007	3	Washer
12	60110830	1	Screw M8 X 65
13	47101130	1	Bushing
14	46541020	1	Bumper Wheel
15	AR	2	Cylindrical Brush 105x533
16	60110504	2	Screw M5 X 16
17	20206030	1	Distributor
18	20206010	1	Tunnel
19	60100811	1	Screw M8 X 60
20	46220070	1	Motor 24V-550W
21	60905051	2	Key 5x5x20
22	46920170	1	Motor Pulley
23	60306007	1	Washer
24	60506004	2	Lock Washer
25	60110616	1	Screw M6 X 25 INOX
26	20206050	1	Left Base Coupling
27	60110606	3	Screw M6 X 14 INOX
28	48602100	1	Rear Tunnel Splash Guard Rubber
29	20206040	1	Rear Tunnel Splash Guard Blade
30	60220602	3	Lock Nut
31	20206080	1	Brush Cover
32	20106040	1	Pin
33	47001090	2	Spacer
34	46930050	1	Belt Tightener Pulley
35	20606470	1	Washer
36	20206090	2	Brush Stop
37	20206070	2	Pin
38	47001080	2	Spacer
39	61113201	2	Seeger Ring
40	61411502	4	Bearing SF 6002-2RS
41	46920180	2	Pulley
42	20106160	1	Washer
43	60110610	1	Screw M6 X 18 INOX
44	61610013	1	Belt
45	60110502	2	Screw M5 X 12
46	60505001	2	Lock Washer
47	60305005	2	Washer
48	60305005	2	Washer
49	60180502	2	Screw M5 X 12 INOX
50	60110612	1	Screw M6 X 20 INOX
51	61411705	2	Bearing SF 6003 2RS
52	47592010	1	Square Connector
53	47522010	1	Coil Solenoid Valve
54	47512040	1	Solenoid Valve Body
55	60220804	1	Lock Nut INOX
56	47251410	1	Cupped Washer

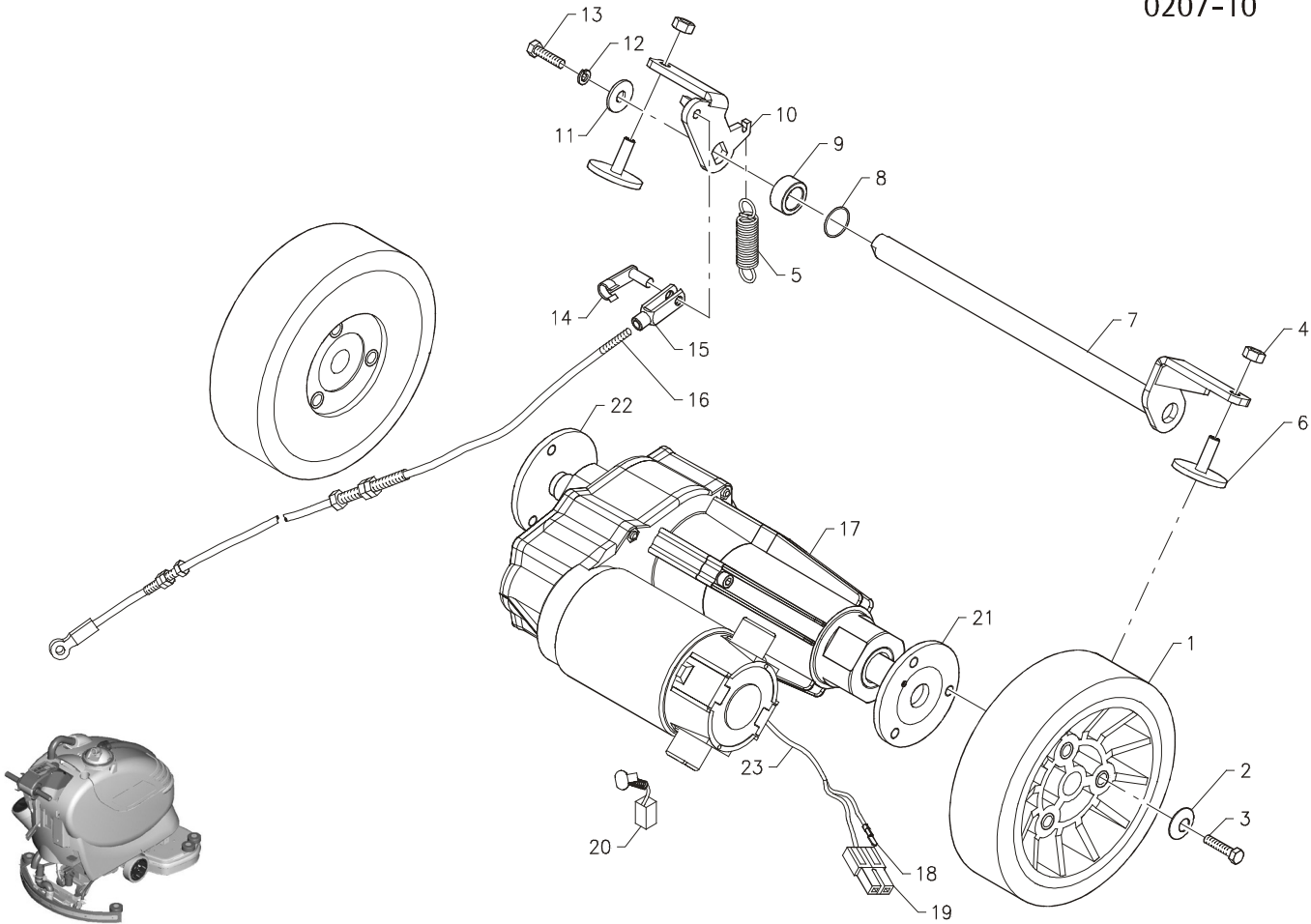
Return to TOC



Return to TOC

No.	Part No.	Qty	Description
2	20206110	1	Right Base Coupling
3	60220604	3	Lock Nut INOX
4	60180606	2	Screw M6 X 18 INOX
6	47532020	1	Solenoid Valve Assembly
7	20106080	1	Solenoid Valve Support
8	60190315	1	Screw M4.2 X 16
9	20206020	1	Support
10	61706005	2	Wing Nut INOX
11	60306007	3	Washer
12	60110830	1	Screw M8 X 65
13	47101130	1	Bushing
14	46541020	1	Bumper Wheel
15	AR	2	Cylindrical Brush 105x533
16	60110504	2	Screw M5 X 16
17	20206030	1	Distributor
18	20206010	1	Tunnel
19	60100811	1	Screw M8 X 60
20	46220070	1	Motor 24V-550W
21	60905051	2	Key 5x5x20
22	46920170	1	Motor Pulley
23	60306007	1	Washer
24	60506004	2	Lock Washer
25	60110616	1	Screw M6 X 25 INOX
26	20206050	1	Left Base Coupling
27	60110606	3	Screw M6 X 14 INOX
28	48602100	1	Rear Tunnel Splash Guard Rubber
29	20206040	1	Rear Tunnel Splash Guard Blade
30	60220602	3	Lock Nut
31	20206080	1	Brush Cover
32	20106040	1	Pin
33	47001090	2	Spacer
34	46930050	1	Belt Tightener Pulley
35	20606470	1	Washer
36	20206090	2	Brush Stop
37	20206070	2	Pin
38	47001080	2	Spacer
39	61113201	2	Seeger Ring
40	61411502	4	Bearing SF 6002-2RS
41	46920180	2	Pulley
42	20106160	1	Washer
43	60110610	1	Screw M6 X 18 INOX
44	61610013	1	Belt
45	60110502	2	Screw M5 X 12
46	60505001	2	Lock Washer
47	60305005	2	Washer
48	60305005	2	Washer
49	60180502	2	Screw M5 X 12 INOX
50	60110612	1	Screw M6 X 20 INOX
51	61411705	2	Bearing SF 6003 2RS
52	47592010	1	Square Connector
53	47522010	1	Coil Solenoid Valve
54	47512040	1	Solenoid Valve Body
55	60220804	1	Lock Nut INOX
56	47251410	1	Cupped Washer
57	62030004	2	Plug

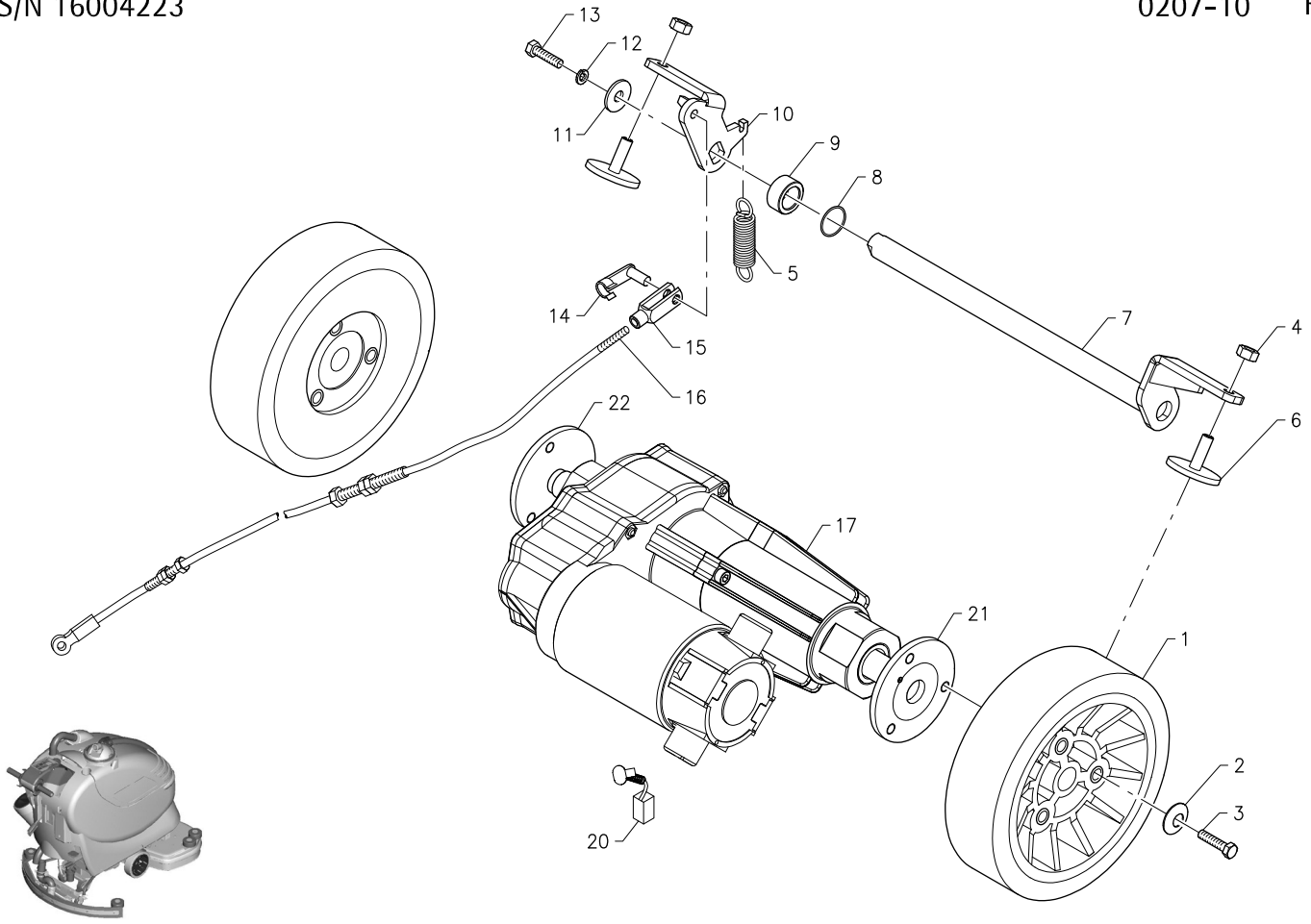
Return to TOC



Return to TOC

No.	Part No.	Qty	Description
1	46523020	2	Wheel Flanged PUR
2	60308007	6	Washer M8x24x2
3	60110820	6	Screw M8 x 40 INOX
4	60210809	2	Nut M8 INOX
5	47220020	1	Traction Spring
6	20208020	2	Brake Pad
7	20208010	1	Brake Shaft
8	61301701	1	O-Ring M17x2.62
9	47002040	1	Spacer
10	20208040	1	Brake Shaft Lever
11	60306011	1	Washer INOX
12	60506007	1	Lock Washer INOX
13	60110605	1	Screw M6x12 INOX
14	62120601	1	Fork Clip
15	62110601	1	Fork Long M6 x 24
16	62401001	1	Brake Cable
17	46200020	1	Geared Motor Asssembly
18	63130001	2	Connector Contact 30A
19	63110004	2	Red Connector 30A
20	63607141	2	Motor Carbon Brush M7 x 14
21	46702010	1	Right Axle Shaft Long
22	46702020	1	Left Axle Shaft Short
23	47807060	1	Sheath M.8 x 450

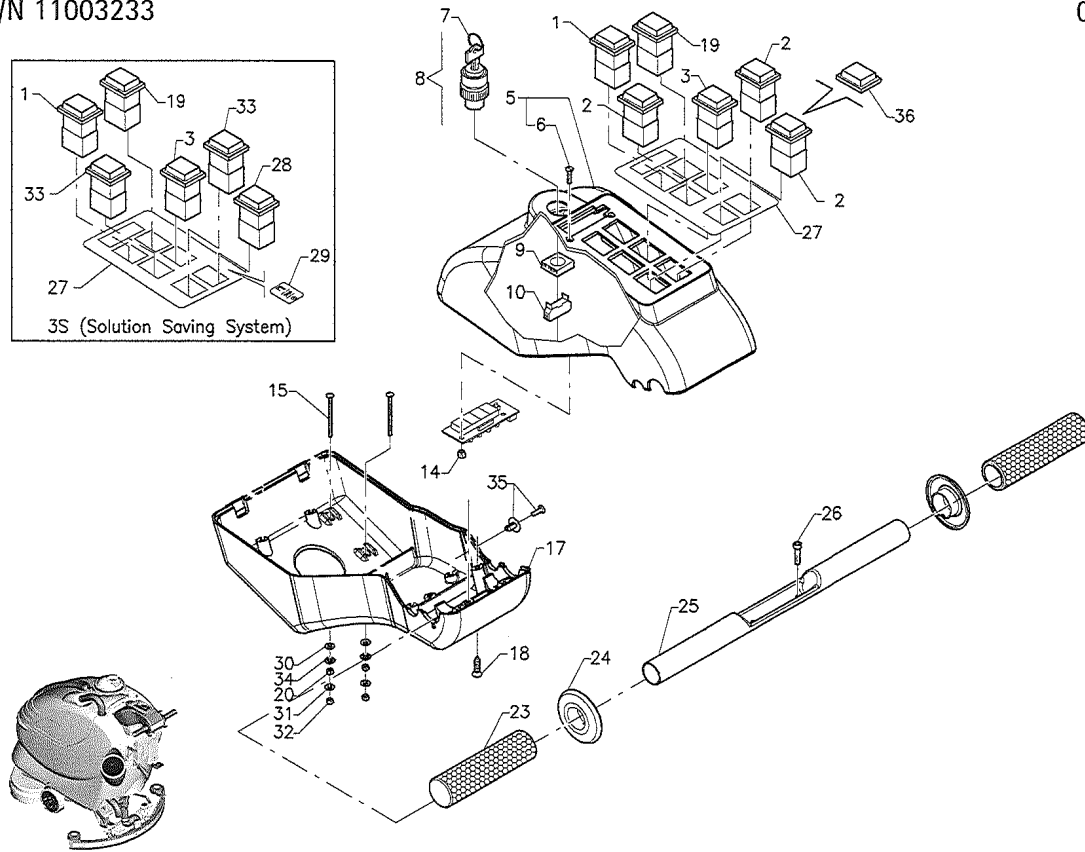
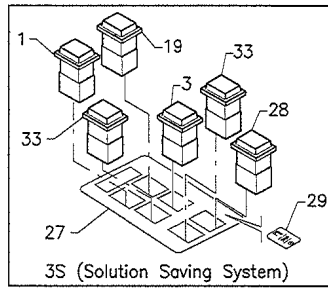
Return to TOC



Return to TOC

No.	Part No.	Qty	Description
1	46523020	2	Wheel Flanged PUR
2	60308007	6	Washer INOX
3	60110820	6	Screw M8 x 40 INOX
4	60210809	2	Nut INOX
5	47220020	1	Traction Spring
6	20208020	2	Brake Pad
7	20208010	1	Brake Shaft
8	61301701	1	O-Ring
9	47002040	1	Spacer
10	20208040	1	Brake Shaft Lever
11	60306011	1	Washer INOX
12	60506007	1	Lock Washer INOX
13	60110605	1	Screw M6 x 12 INOX
14	62120601	1	Fork Clip
15	62110601	1	Fork
16	62401001	1	Brake Cable
17	46200020	1	Geared Motor Asssembly
20	63607141	2	Motor Carbon Brush
21	46702010	1	Right Axle Shaft Long
22	46702020	1	Left Axle Shaft Short

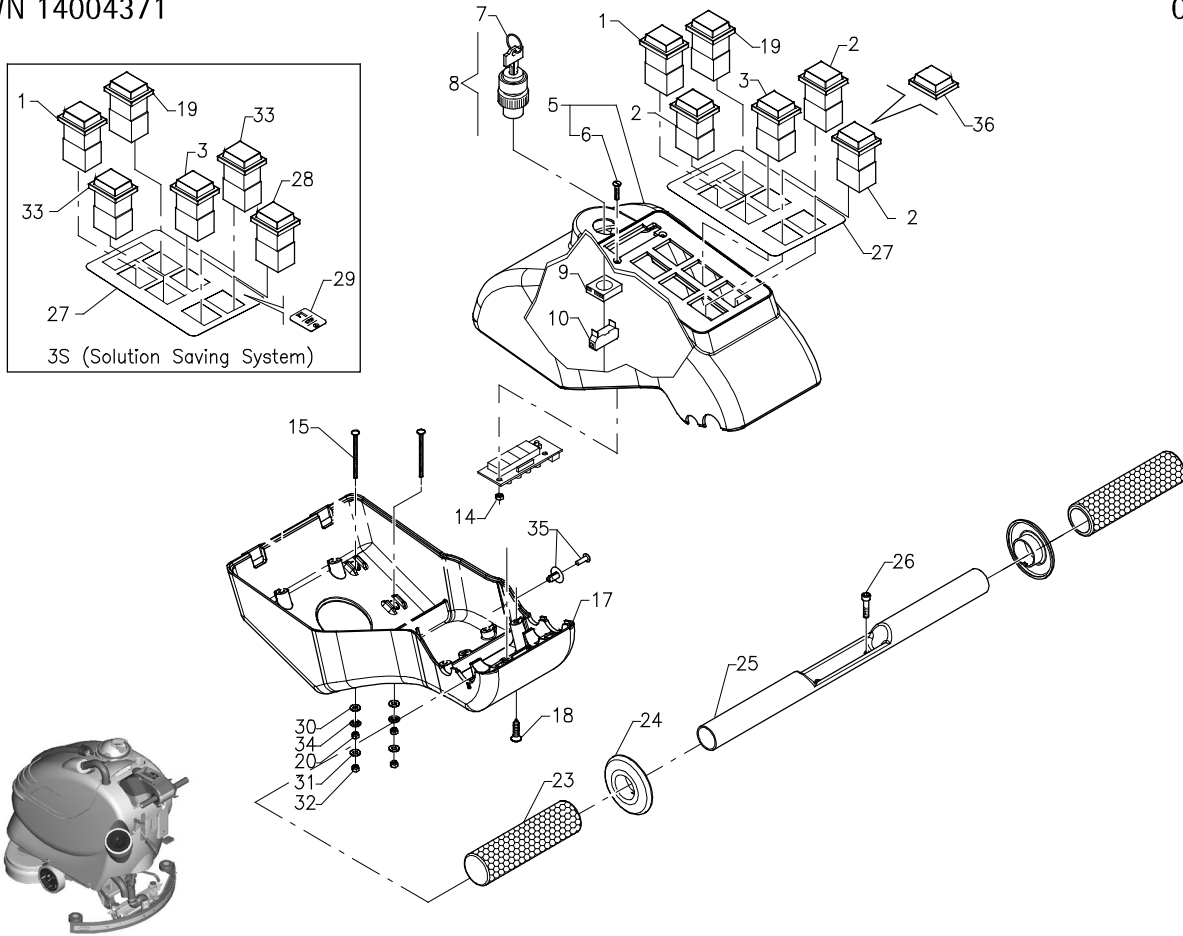
Return to TOC



[Return to TOC](#)

No.	Part No.	Qty	Description
1	63303001	1	Cover
2	63403001	3	Switch, Green, Protected
3	63302003	1	Signal Lamp, Red, Protected
5	49201030	1	Handlebar Top Cover and Screws
6	60110302	2	Screw M3 x 12 INOX
7	63490003	1	Key
8	63410001	1	Switch w/ Keys
9	63499002	1	Flange for Switch
10	63413001	1	Contact for Switch
14	60220301	2	Lock Nut
15	60100615	4	Screw M6 x 50
17	49201010	1	Handlebar Body
18	60190408	2	Screw M4 x 45
19	63403006	1	Switch, Green, Protected
20	60210608	4	Nut
23	61810001	2	Hand Grip
24	20109020	2	Hand Grip Protector
25	20109010	1	Handlebar Tube
26	60110619	2	Screw M6 x 35
27	65001008	1	Instrument Board Decal
28	63401004	1	Commutator 3S ONLY
29	65001089	1	Decal 3S ONLY
30	60306007	4	Washer
31	60306010	4	Washer
32	60220603	4	Lock Nut
33	63403001	2	Switch, Green, Protected 3S ONLY
34	60506002	4	Lock Washer
35	60600010	1	Rivet
36	63499006	6	Switch Protection Cap

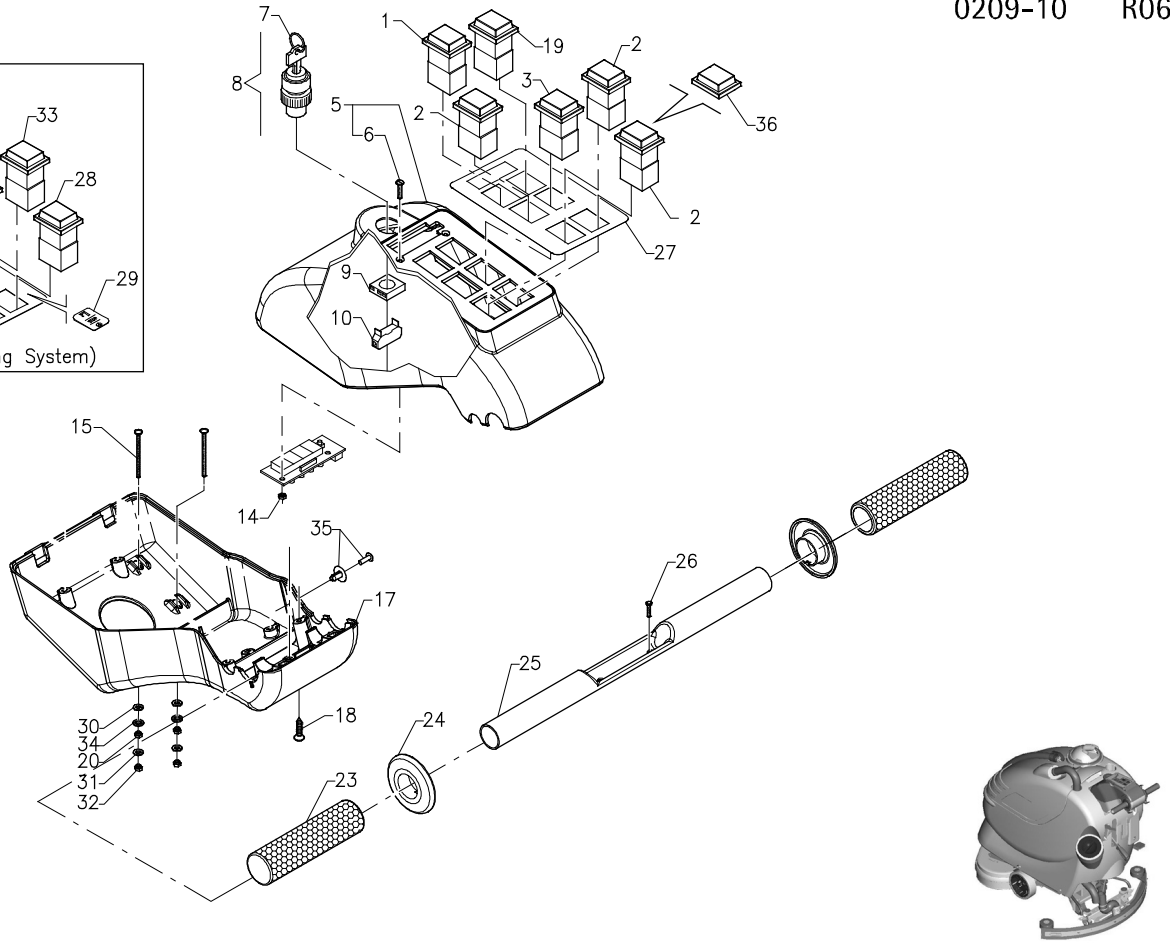
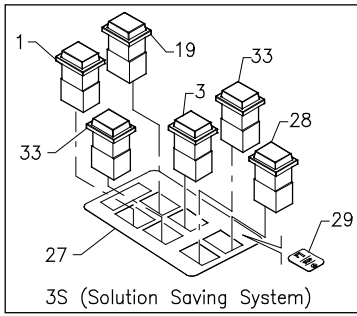
Return to TOC



Return to TOC

No.	Part No.	Qty	Description
1	63303001	1	Cover
2	63403001	3	Switch, Green, Protected
3	63302003	1	Signal Lamp, Red, Protected
5	49201030	1	Handlebar Top Cover and Screws
6	60110302	2	Screw M3 x 12 INOX
7	63490003	1	Key
8	63410001	1	Switch w/ Keys
9	63499002	1	Flange for Switch
10	63413001	1	Contact for Switch
14	60210304	2	Nylon Nut
15	60100615	4	Screw M6 x 50
17	49201010	1	Handlebar Body
18	60190408	2	Screw M4 x 45
19	63403006	1	Switch, Green, Protected
20	60210608	4	Nut
23	61810001	2	Hand Grip
24	20109020	2	Hand Grip Protector
25	20109010	1	Handlebar Tube
26	60110619	2	Screw M6 x 35
27	65001008	1	Instrument Board Decal
28	63401004	1	Commutator 3S ONLY
29	65001089	1	Decal 3S ONLY
30	60306007	4	Washer
31	60306010	4	Washer
32	60220603	4	Lock Nut
33	63403001	2	Switch, Green, Protected 3S ONLY
34	60506002	4	Lock Washer
35	60600010	1	Rivet
36	63499006	6	Switch Protection Cap

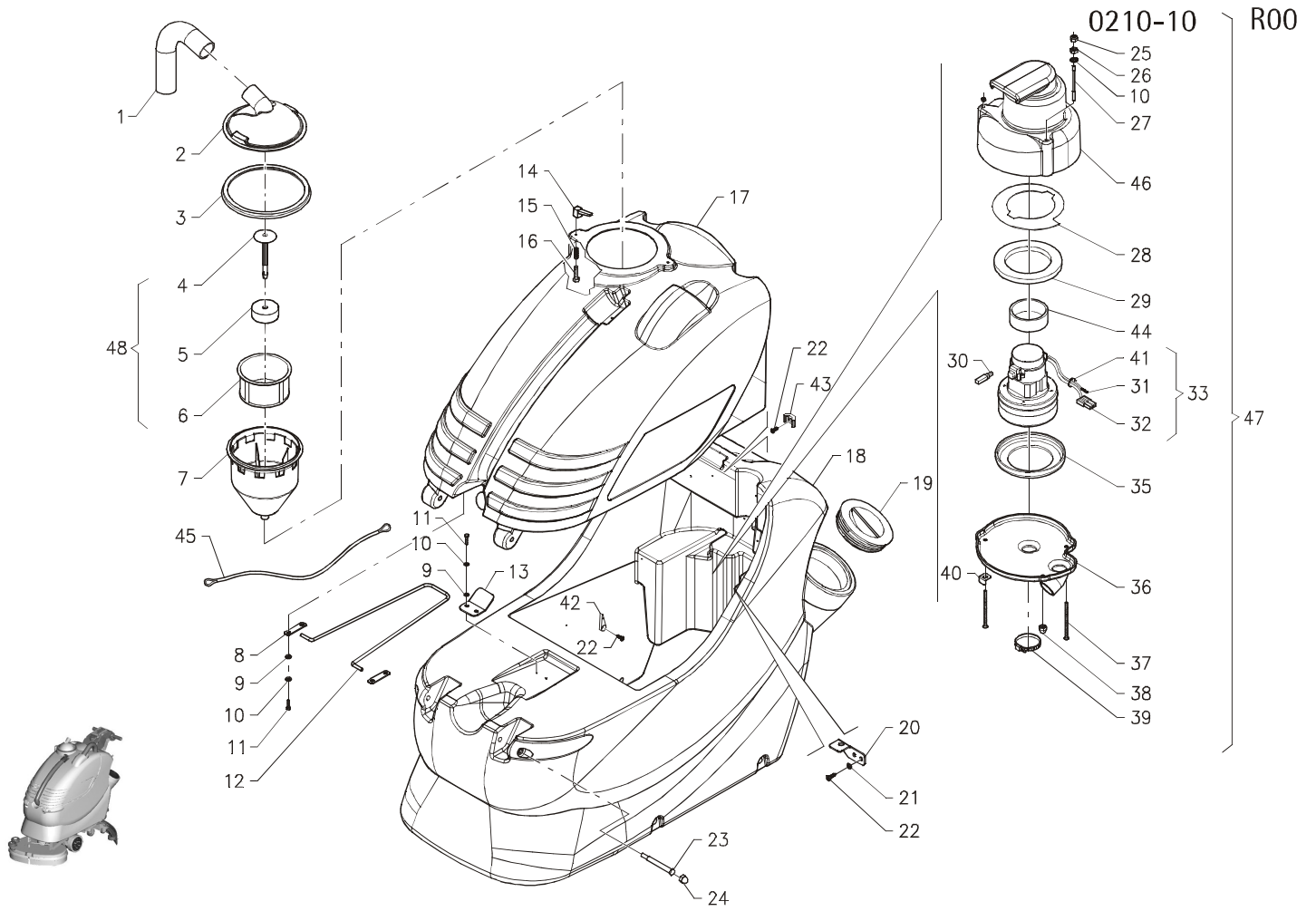
Return to TOC



[Return to TOC](#)

No.	Part No.	Qty	Description
1	63303001	1	Cover
2	63403001	3	Switch, Green, Protected
3	63302003	1	Signal Lamp, Red, Protected
5	49201030	1	Handlebar Top Cover and Screws
6	60110302	2	Screw M3 x 12 INOX
7	63490003	1	Key
8	63410001	1	Switch w/ Keys
9	63499002	1	Flange for Switch
10	63413001	1	Contact for Switch
14	60210304	2	Nylon Nut
15	60100615	4	Screw M6 x 50
17	49201010	1	Handlebar Body
18	60190408	2	Screw M4 x 45
19	63403006	1	Switch, Green, Protected
20	60210608	4	Nut
23	61810001	2	Hand Grip
24	20109020	2	Hand Grip Protector
25	20109010	1	Handlebar Tube
26	60190601	2	Screw M6 x 35
27	65001008	1	Instrument Board Decal
28	63401004	1	Commutator 3S ONLY
29	65001089	1	Decal 3S ONLY
30	60306007	4	Washer
31	60306010	4	Washer
32	60220603	4	Lock Nut
33	63403001	2	Switch, Green, Protected 3S ONLY
34	60506002	4	Lock Washer
35	60600010	1	Rivet
36	63499006	6	Switch Protection Cap

Return to TOC

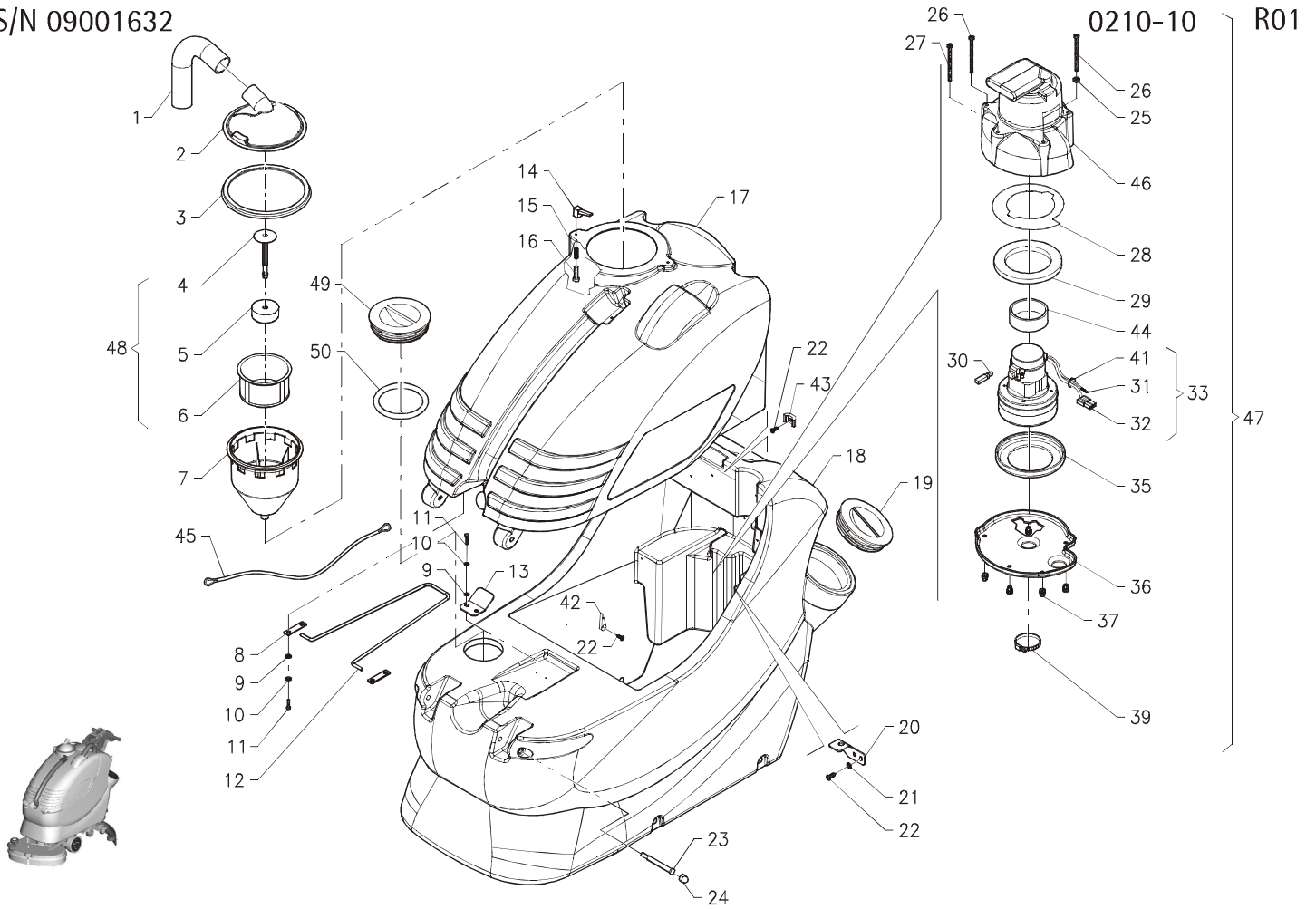


Return to TOC

No.	Part No.	Qty	Description
1	47610050	1	Hose M38.2 x 1080
2	20110040	1	Filter Cap
3	47800010	1	Filter Cap Gasket
4	20110060	1	Rod w/Plate
5	20110070	1	Float
6	47900010	1	Float Filter
7	20110050	1	Filter Protection
8	20210030	2	Strap for Prop
9	60306007	2	Washer
10	60506002	3	Lock Washer
11	60110604	2	Screw M6 x 12
12	20210020	1	Recovery Tank Prop
13	20210040	1	Hold Down for Prop
14	61820002	2	Blocking Lever
15	47210080	2	Compression Spring INOX
16	60110618	1	Screw M6 x 30 INOX
17	47302020	1	Recovery Tank
18	47302010	1	Solution Tank
19	62350001	1	Solution Tank Cap
20	20210060	1	Vacuum Motor Support
21	60305005	1	Washer
22	60190424	2	Screw M4.8 x 16
23	20210090	2	Recovery Tank Pin
24	62040001	2	Black Nut Cover
25	60220601	1	Lock Nut
26	60210607	1	Nut
27	20110220	1	Stud Bolt
28	20110080	1	Inner Protection Ring
29	48103020	1	Vibrattion Dampener
30	63608112	2	Carbon Brush for Motor
31	63130001	2	Connector Contact 30A
32	63110004	2	Red Connector 30A
33	49320060	1	24V Vacuum Motor 3-Stage w/ Connector
35	47804010	1	Vacuum Motor Gasket
36	20210050	1	Vacuum Motor Basae
37	60110635	2	Screw M6 x 130
38	60230601	1	Nylon Cap Nut
39	61930005	1	Hose Clamp
40	20110210	1	Motor Fixing Plate
41	61910002	1	Clamp
42	63714002	2	Eye Support
43	63714001	1	Saddle Support
44	48101010	1	Suction Motor Separator Ring
45	20210080	1	Recovery Tank Cable
46	20110250	1	Vacuum Motor Casing
47	V0210004	1	Vacuum Motor with Casing
48	V0110007	1	Filter and Float Assembly

Return to TOC

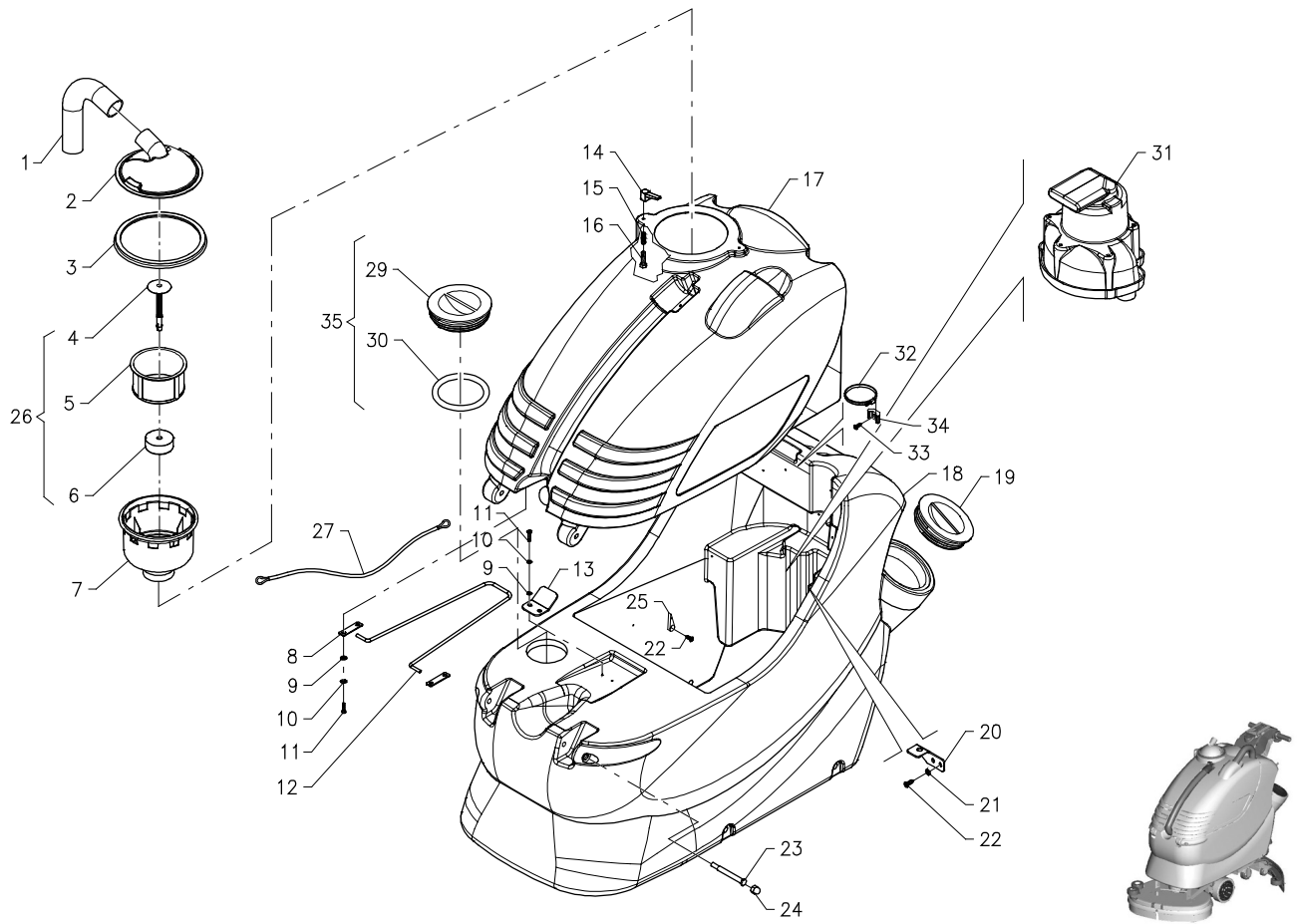
S/N 09001632



Return to TOC

No.	Part No.	Qty	Description
1	47610050	1	Hose M38.2 x 1080
2	20110040	1	Filter Cap
3	47800010	1	Filter Cap Gasket
4	20110060	1	Rod w/Plate
5	20110070	1	Float
6	47900010	1	Flaot Filter
7	20110050	1	Filter Protection
8	20210030	2	Strap for Prop
9	60306007	6	Washer
10	60506002	6	Lock Washer
11	60110604	6	Screw M6 x 12
12	20210020	1	Recovery Tank Prop
13	20210040	1	Hold Down for Prop
14	61820002	2	Blocking Lever
15	47210080	2	Compression Spring INOX
16	60110618	2	Screw M6 x 30 INOX
17	47302020	1	Recovery Tank
18	47302010	1	Solution Tank
19	62350001	1	Solution Tank Cap
20	20210060	1	Vacuum Motor Support
21	60305005	2	Washer
22	60190424	8	Screw M4.8 x 16
23	20210090	2	Recovery Tank Pin
24	62040001	2	Black Nut Cover
25	47101140	1	Bushing
26	60140616	2	Screw M6 x 100
27	60140615	3	Screw M6 x 90
28	20110080	1	Inner Protection Ring
29	20110090	1	Vibrattion Dampener
30	63608112	2	Carbon Brush for Motor
31	63130001	2	Connector Contact 30A
32	63110004	2	Red Connector 30A
33	49320060	1	24V Vacuum Motor 3-Stage w/ Connector
35	47804010	1	Vacuum Motor Gasket
36	20210050	1	Suction Motor Base
37	62406017	5	Insert M6
39	61930005	1	Hose Clamp
41	61910002	2	Hose Clamp
42	63714002	2	Eye Support
43	63714001	4	Saddle Support
44	48101010	1	Suction Motor Separator Ring
45	20210080	1	Recovery Tank Cable
46	20110250	1	Suction Motor Casing
47	V0210004	1	Vacuum Motor with Casing
48	V0110007	1	Filter and Float Assembly
49	62350008	1	Solution Tank Inspection Cap
50	47800150	1	Inspection Cap Gasket

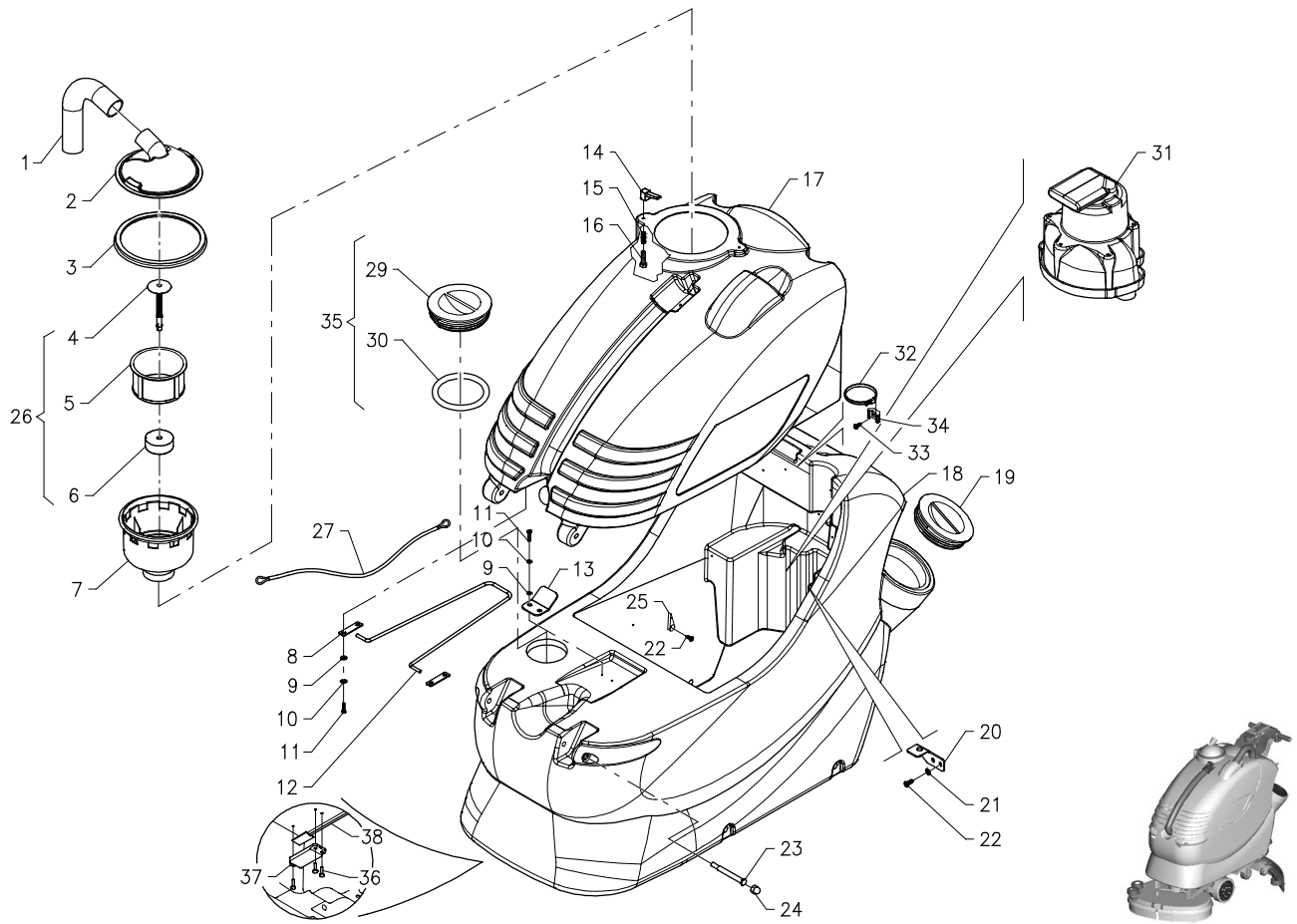
Return to TOC



Return to TOC

No.	Part No.	Qty	Description
1	47610050	1	Hose M38.2 x 1080
2	20110040	1	Filter Cap
3	47800010	1	Filter Cap Gasket
4	20110060	1	Rod w/Plate
5	20110050	1	Float Filter
6	20110070	1	Float
7	47900010	1	Filter Protection
8	20210030	2	Strap for Prop
9	60306007	6	Washer
10	60506002	6	Lock Washer
11	60110604	1	Screw M6 x 12
12	20210020	1	Recovery Tank Prop
13	20210040	1	Hold Down for Prop
14	61820002	2	Blocking Lever
15	47210080	2	Compression Spring INOX
16	60110618	2	Screw M6 x 30 INOX
17	47302420	1	Recovery Tank
18	47302440	1	Solution Tank (Black)
19	62350001	1	Solution Tank Cap
20	20210060	1	Vacuum Motor Support
21	60305005	2	Washer
22	60190502	8	Screw M5 x 16
23	20210090	2	Recovery Tank Pin
24	62040001	2	Black Nut Cover
25	63714002	2	Eye Support
26	V0110007	1	Filter and Float Assembly
27	20210080	1	Recovery Tank Cable
29	62350008	1	Solution Tank Inspection Cap
30	47800150	1	Inspection Cap Gasket
31	V0210004	1	Vacuum Motor with Casing
32	61910001	2	Clamp
33	60190502	2	Screw M5 x 16
34	63714001	2	Saddle Support
35	V0110010	1	Solution Tank Inspection Cap Assembly

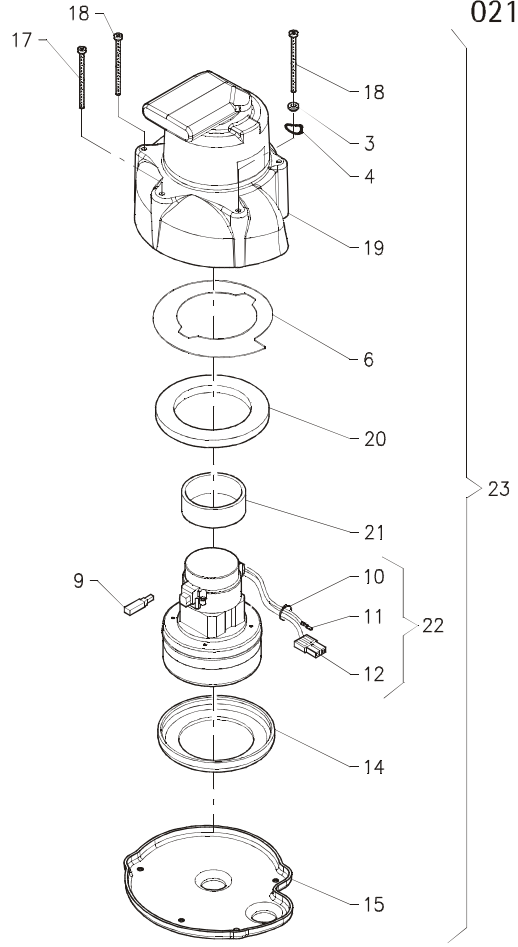
Return to TOC



Return to TOC

No.	Part No.	Qty	Description
1	47610050	1	Hose M38.2 x 1080
2	20110040	1	Filter Cap
3	47800010	1	Filter Cap Gasket
4	20110060	1	Rod w/Plate
5	47900010	1	Float Filter
6	20110070	1	Float
7	20110050	1	Filter Protection
8	20210030	2	Strap for Prop
9	60306007	6	Washer
10	60506002	6	Lock Washer
11	60110604	1	Screw M6 x 12
12	20210020	1	Recovery Tank Prop
13	20210040	1	Hold Down for Prop
14	61820002	2	Blocking Lever
15	47210080	2	Compression Spring INOX
16	60110618	2	Screw M6 x 30 INOX
17	47302420	1	Recovery Tank
18	47302440	1	Solution Tank (Black)
19	62350001	1	Solution Tank Cap
20	20210060	1	Vacuum Motor Support
21	60305005	2	Washer
22	60190502	8	Screw M5 x 16
23	20210090	2	Recovery Tank Pin
24	62040001	2	Black Nut Cover
25	63714002	2	Eye Support
26	V0110007	1	Filter and Float Assembly
27	20210080	1	Recovery Tank Cable
29	62350008	1	Solution Tank Inspection Cap
30	47800150	1	Inspection Cap Gasket
31	V0210004	1	Vacuum Motor with Casing
32	61910001	2	Clamp
33	60190502	2	Screw M5 x 16
34	63714001	2	Saddle Support
35	V0110010	1	Solution Tank Inspection Cap Assembly
36	60190316	3	Screw M4.2 x 16 INOX
37	20110290	1	Solution Level Card Protection
38	49706002	1	Solution Level Check Card

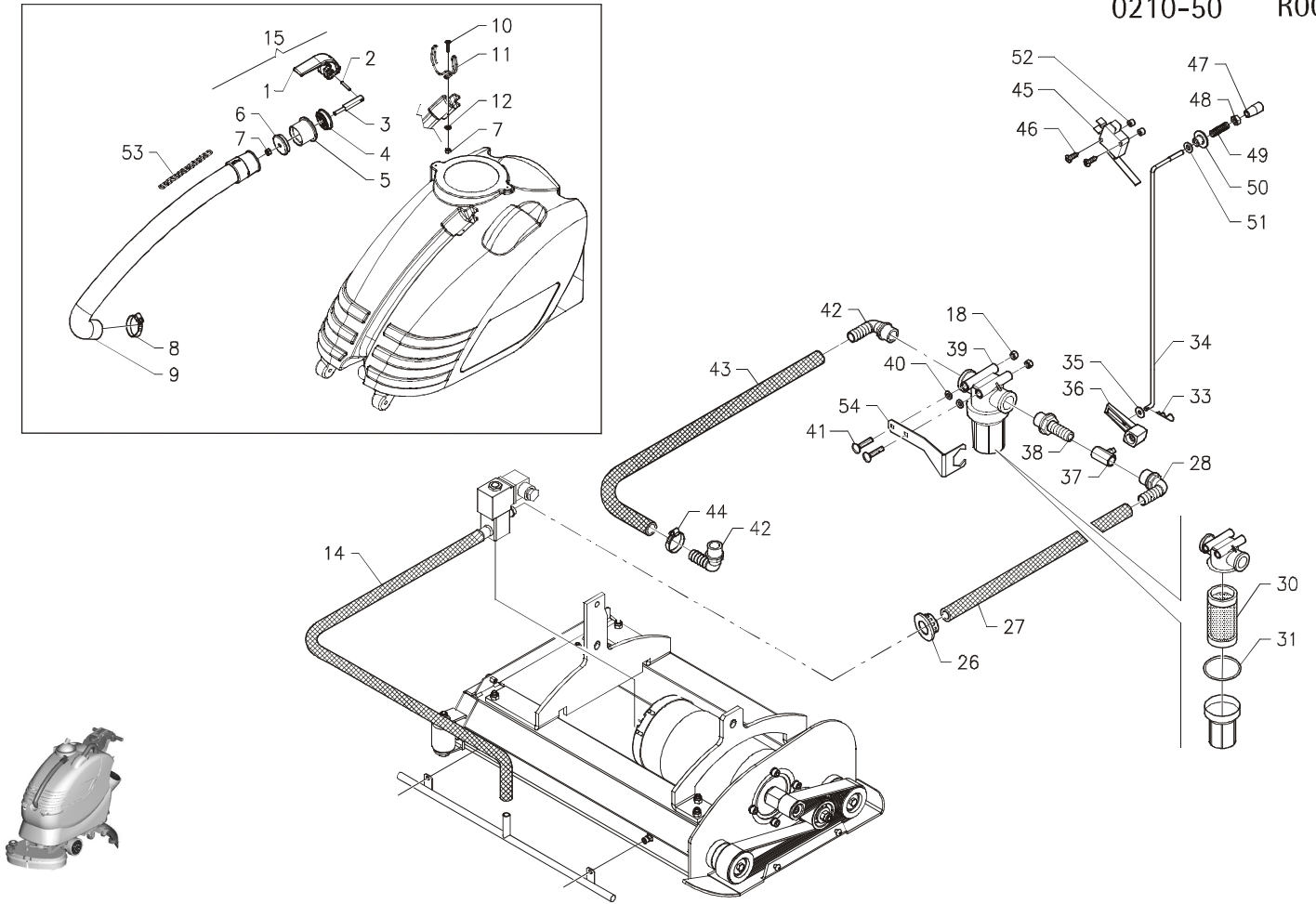
Return to TOC



Return to TOC

No.	Part No.	Qty	Description
3	47101030	1	Bushing
4	62200002	1	Ring w/Gasket
6	20110080	1	Inner Protection Ring
9	63608112	2	Carbon Brsuh for Motor
10	61910002	2	Clamp
11	63130001	2	Connector Contact
12	63110004	2	Red Connector 30A
14	47804010	1	Vacuum Motor Gasket
15	20110280	1	Vacuum Motor Base and Inserts
17	60180621	3	Screw M6 x 110
18	60180622	2	Screw M6 x 120
19	20310110	1	Vacuum Motor Casing
20	48103020	1	Vibration Dampner
21	48103010	1	Vacuum Motor Separator
22	49320060	1	Vacuum Motor and Connector
23	V0210004	1	Vacuum Motor w/Casing

[Return to TOC](#)



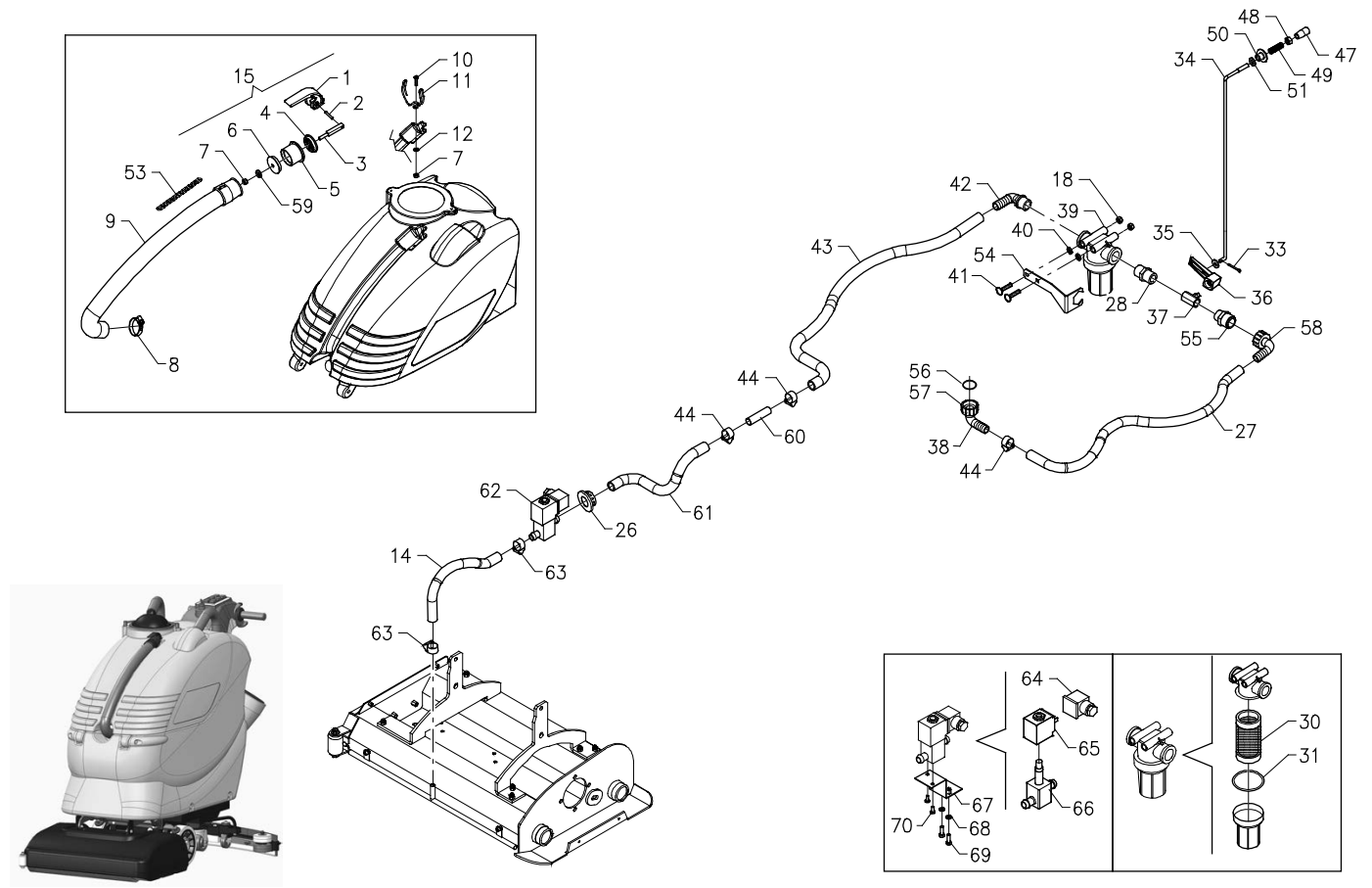
Return to TOC

No.	Part No.	Qty	Description
1	61820003	1	Drain Plug Lever
2	60604004	1	Parallel Pin INOX
3	20110170	1	Drain Plug Tie Rod
4	20110130	1	Drain Plug Cover
5	20110150	1	Exhaust Plug Rubber
6	20110140	1	Drain Plug Bottom
7	60220604	2	Lock Nut INOX
8	61930001	1	Hose Clamp INOX
9	47610040	1	Exhaust Hose 38.2 x 630
10	60180608	1	Screw M6 x 25 INOX
11	47230040	1	Muff Coupler Spring
12	60306002	1	Vibration Dampening Washer
14	47630300	1	Hose 10 x 240
15	V0110008	1	Exhaust Plug Assembly
18	60220601	1	Lock Nut
26	62340070	1	Ring Nut
27	47630050	1	Hose 10 x 800
28	62340060	1	Bent Fitting
30	47900030	1	Filter Cartridge
31	47900040	1	Filter Gasket
33	60800002	1	Clip INOX
34	20210010	1	Solution Valve Control Rod
35	60305005	1	Washer
36	20310050	1	Solution Valve Lever
37	62310006	1	Solution Valve Body 3/8" F.F.
38	62360010	1	Nipple 1/2-3/8
39	47900020	1	Complete Filter Assembly
40	60508003	2	Lock Washer
41	60100607	2	Screw M6 x 70
42	62340030	1	Bent Fitting 1/2" x 20
43	47630040	1	Hose
44	61930002	1	Hose Clamp
45	63409002	1	Microswitch 16A
46	60190303	2	Screw M2.9 x 25
47	61810004	1	Round Knob
48	60210601	1	Nut INOX
49	47210050	1	Compression Spring INOX
50	20110190	1	Solution Control Valve Rod Guide
51	60306010	1	Washer
52	47001060	2	Spacer
53	20110240	1	Chain
54	20210100	1	Filter Support

Return to TOC

No.	Part No.	Qty	Description
1	61820003	1	Drain Plug Lever
2	60604004	1	Parallel Pin INOX
3	20110170	1	Drain Plug Tie Rod
4	20110130	1	Drain Plug Cover
5	20110150	1	Exhaust Plug Rubber
6	20110140	1	Drain Plug Bottom
7	60220604	2	Lock Nut INOX
8	61930001	1	Hose Clamp INOX
9	47610040	1	Exhaust Hose 38.2 x 630
10	60180608	1	Screw M6 x 25 INOX
11	47230040	1	Muff Coupler Spring
12	60306002	1	Vibration Dampening Washer
14	47630300	1	Hose 10 x 240
15	V0110008	1	Exhaust Plug Assembly
18	60220601	1	Lock Nut
26	62340070	1	Ring Nut
27	47630050	1	Hose 10 x 800
28	62360020	1	Nipple 1/2"
30	47900030	1	Filter Cartridge
31	47900040	1	Filter Gasket
33	60702002	1	Clip INOX
34	20210010	1	Solution Valve Control Rod
35	60305005	1	Washer
36	20310050	1	Solution Valve Lever
37	62310006	1	Solution Valve Body 1/2"
38	62340133	1	Connector
39	47900020	1	Complete Filter Assembly
40	60508003	2	Lock Washer
41	60100607	2	Screw M6 x 70
42	62340040	1	Bent Fitting 1/2" x 16
43	47630040	1	Hose 20 x 500
44	61930002	1	Hose Clamp
45	63409002	1	Microswitch 16A
46	60190303	2	Screw M2.9 x 25
47	61810004	1	Round Knob
48	60210601	1	Nut INOX
49	47210050	1	Compression Spring INOX
50	20110190	1	Solution Control Valve Rod Guide
51	60306010	1	Washer
52	47001060	2	Spacer
53	20110240	1	Chain
54	20210100	1	Filter Support
55	62360030	1	Nipple 3/4 - 1/2
56	62370009	1	Gasket
57	62340135	1	Ring Nut
58	62340130	1	Bent Fitting

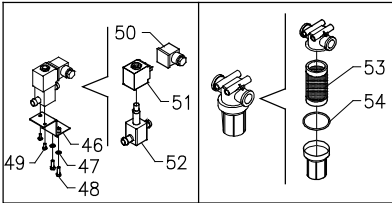
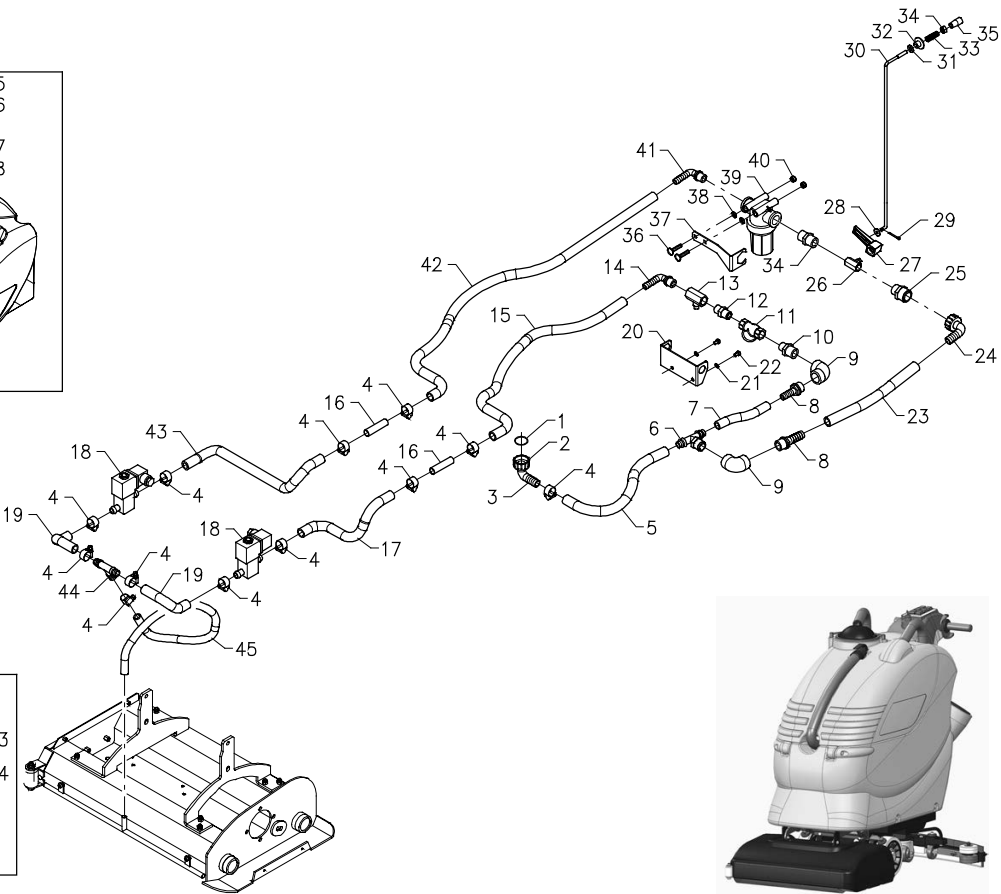
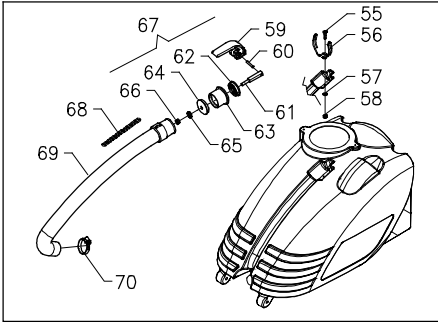
Return to TOC



Return to TOC

No.	Part No.	Qty	Description
1	61820003	1	Exhaust Plug Lever
2	60604004	1	Parallel Pin INOX
3	20110170	1	Exhaust Plug Tie Rod
4	20110130	1	Exhaust Plug Cover
5	20110150	1	Exhaust Plug Rubber
6	20110140	1	Exhaust Plug Bottom
7	60220604	2	Lock Nut INOX
8	61930001	1	Hose Clamp INOX
9	47610040	1	Exhaust Hose 38.2 x 630
10	60180608	1	Screw M6 x 25 INOX
11	47230040	1	Spring
12	60306002	1	Vibration Dampening Washer
14	47630300	1	Hose 10 x 240
15	V0110008	1	Exhaust Plug Assembly
18	60220601	2	Lock Nut
26	62340070	1	Ring Nut
27	47630330	1	Hose 14 x 500
28	62360020	1	Nipple
30	47900030	1	Filter Cartridge
31	47900040	1	Filter Gasket
33	60800002	1	Clip INOX
34	20210010	1	Solution Valve Control Rod
35	60305005	1	Washer
36	20310050	1	Short Solution Valve Lever
37	62310002	1	Solution Valve Body 1/2" F.F.
38	62340130	1	Bent Fitting 3/4" x 16
39	47900020	1	Complete Filter Assembly, 1/2" F.F. 32 Mesh
40	60508003	2	Lock Washer
41	60100607	2	Screw M6 x 70
42	62340030	1	Bent Fitting 1/2" x 16
43	TBD	1	Hose 14 x 590
44	61930002	3	Hose Clamp
47	61810004	1	Round Knob
48	60210601	1	Nut INOX
49	47210050	1	Compression Spring INOX
50	20110190	1	Solution Valve Rod Guide
51	60306010	1	Washer
53	20110240	1	Chain
54	20210100	1	Filter Support
55	62360030	1	Nipple 3/4" - 1/2"
56	62370009	1	Gasket
57	62340135	1	Ring Nut
58	62340130	1	Bent Fitting 3/4" x 16
59	60306008	1	Washer INOX
60	20206100	1	Hose Fitting
61	47630400	1	Hose 14 x 300
62	47532020	1	Complete Solenoid Valve
63	61930003	2	Hose Clamp
64	47592010	1	Connector
65	47522010	1	Coil
66	47512040	1	Solenoid Valve Body
67	20106080	1	Solenoid Valve Support
68	60305002	2	Washer INOX
69	60110507	2	Screw M5 x 16 INOX
70	60190315	2	Screw M4.2 x 16

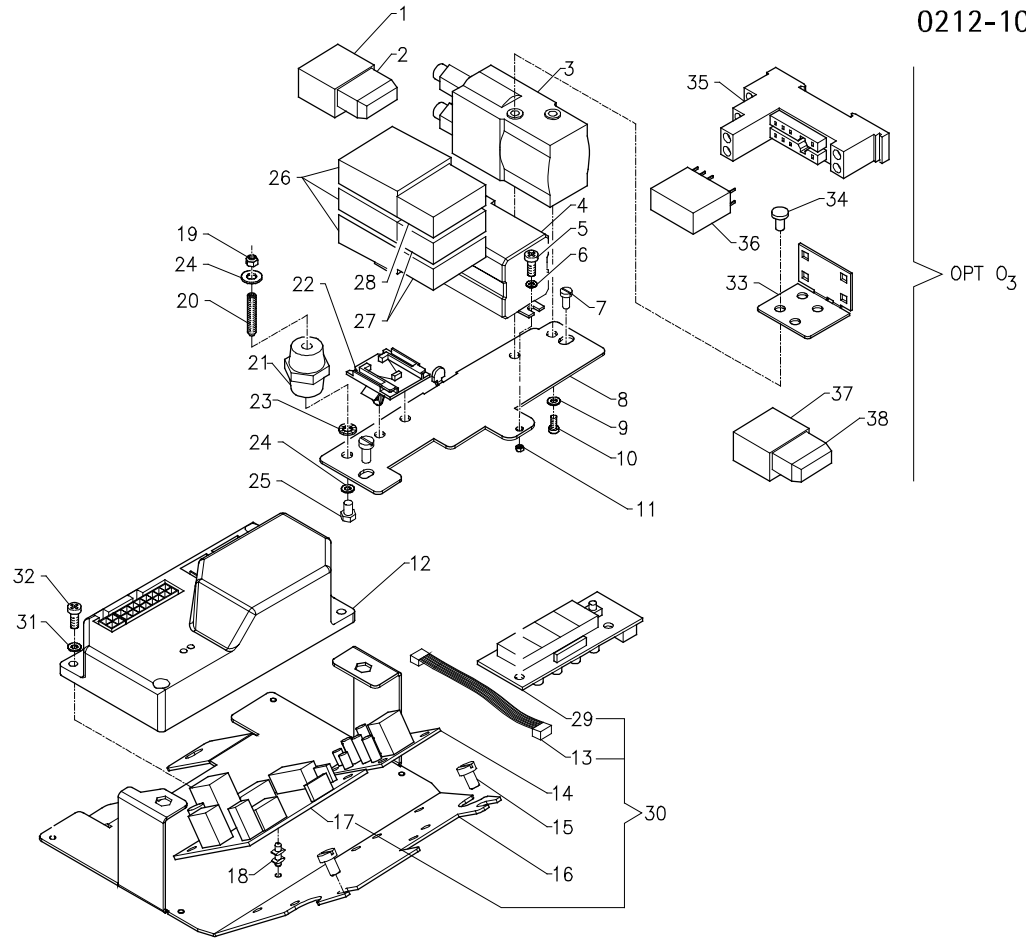
Return to TOC



Return to TOC

No.	Part No.	Qty.	Description				
1	62370009	1	Gasket	51	47522010	2	Coil
2	62340135	1	Ring Nut	52	47512040	2	Solenoid Valve Body
3	62340133	1	Connector	53	47900030	1	Cartridge Filter
4	61930002	12	Clamp	54	47900040	1	Filter Gasket
5	47630240	1	Hose 14 x 360	55	60180608	1	Screw M6 x 25 INOX
6	62330030	1	T-Fitting	56	47230040	1	Spring Muff Coupler
7	47631150	1	Hose 12 x 100	57	60306002	1	Washer Vibration-Damping
8	62340080	2	Connector	58	60220604	1	Lock Nut INOX
9	62320050	2	Fitting	59	61820003	1	Exhaust Plug Lever
10	62360010	1	Nipple	60	60604004	1	Parallel Pin INOX
11	47000120	1	Filter	61	20110170	1	Exhaust Plug Tie Rod
12	62360060	1	Nipple	62	20110130	1	Exhaust Plug Cover
13	62310006	1	Solution Valve	63	20110150	1	Rubber Exhaust Plug
14	62340060	1	Connector	64	20110140	1	Bottom Exhaust Plug
15		1	Hose 12 x 670	65	60306008	1	Washer INOX
16	20206100	2	Hose Fitting	66	60220604	1	Lock Nut INOX
17	47631060	2	Hose 14 x 260	67	V0110008	1	Exhaust Plug Assembly
18	47532020	2	Solenoid Valve Assembly	68	20110240	1	Chain OPT.
19	47631070	2	Hose 14 x 100	69	47610040	1	Exhaust Hose 38.2 x 630
20	20201200	1	Support	70	61930001	1	Hose Wrench Clamp INOX
21	60505002	2	Washer				
22	60110501	2	Screw M5 x 8				
23	47630190	1	Hose 14 x 180				
24	62340130	1	Bent Fitting				
25	62360030	1	Nipple				
26	62310002	1	Solution Valve Body				
27	20310050	1	Solution Valve Lever Short				
28	60305005	1	Washer				
29	20702002	1	Clip INOX				
30	20210010	1	Solution Valve Control Rod				
31	60306010	1	Washer				
32	20110190	1	Solution Valve Rod Guide				
33	47210050	1	Compression Spring INOX				
34	60210601	1	Nut INOX				
35	61810004	1	Cylindrical Knob				
36	60110834	2	Screw M8 x 75				
37	20210100	1	Filter Support				
38	60508003	2	Lock Washer				
39	47900020	1	Filter				
40	60220801	2	Lock Nut				
41	62340040	1	Bent Fitting				
42		1	Hose 14 x 590				
43		1	Hose 12 x 390				
44	62330011	1	T-Fitting				
45	47631080	1	Hose 12 x 500				
46	20106080	2	Solenoid Valve Support				
47	60305002	4	Washer INOX				
48	60110507	4	Screw M5 x 16				
49	60190316	4	Screw M4.2 x 16 INOX				
50	47592010	2	Connector				

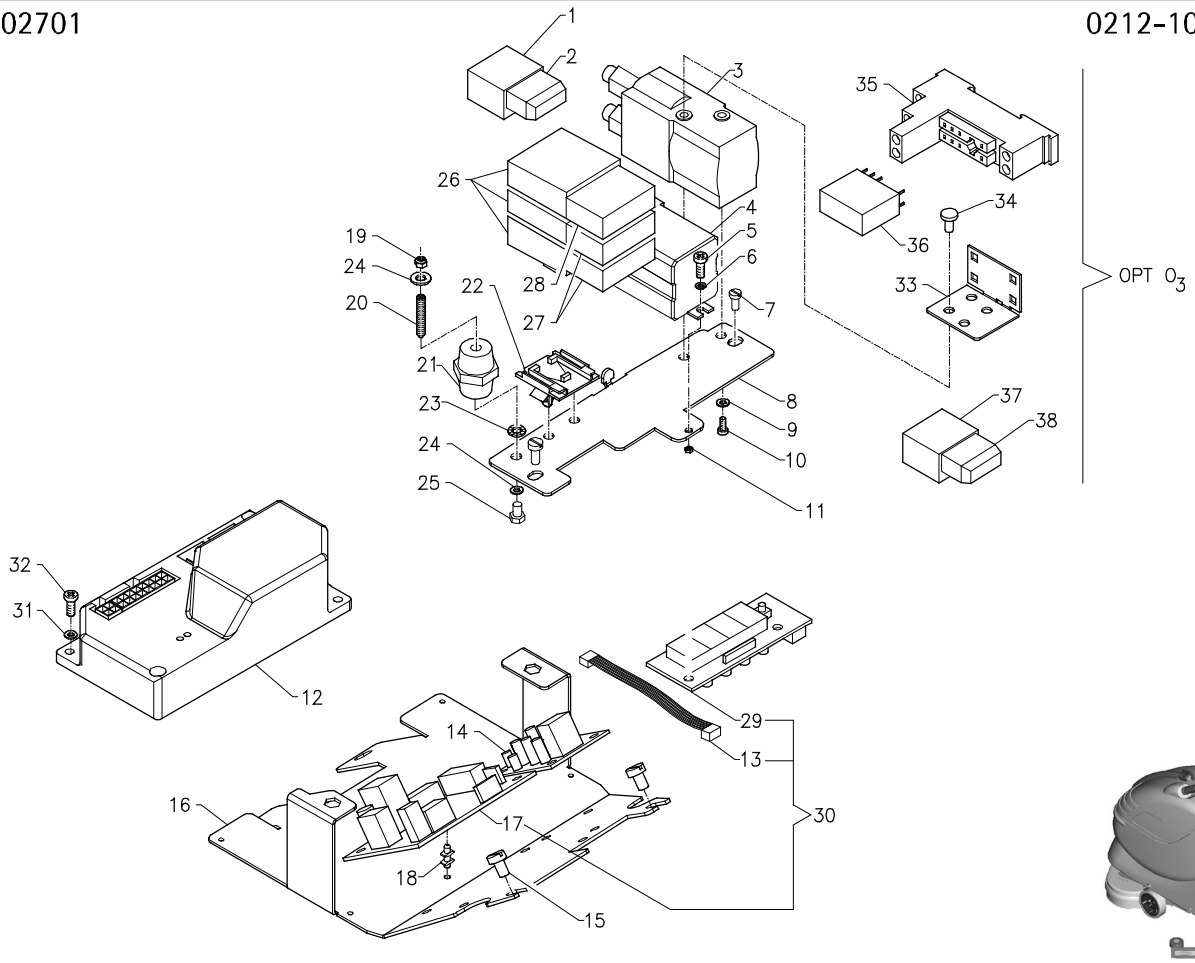
Return to TOC



Return to TOC

No.	Part No.	Qty	Description
1	62800001	1	1-Way Fuseholder
2	62800301	1	3A Fuse
3	49620100	1	Remote Control Switch 24V 100A
4	49620010	1	Relay
5	60140301	1	Screw M3 x 10
6	60303002	1	Washer
7	60140504	2	Screw M5 x 14
8	20212020	1	Electronic Control Panel
9	60504001	2	Lock Washer
10	60140401	2	Screw M4 x 8
11	60220301	1	Lock Nut
12	49701090	1	Chopper Card
13	49801014	1	Display Cable
14	49704001	1	Motor Control Check Card
15	60140502	4	Screw M5 x 8
16	20212010	1	Electrical Installation Panel
17	49703020	1	Batteries Check Card
18	63705001	7	Double Coupler
19	60220502	1	Lock Nut
20	60160503	1	Dowel
21	63706001	1	Insulator
22	63717002	1	Fixing Plate
23	60505001	1	Lock Washer
24	60305001	2	Washer
25	60110501	1	Screw M5 x 8
26	62800002	3	Maxifuseholder 1-Way
27	62805001	2	Maxifuse 50A
28	62803001	1	Maxifuse 30A
29	63707001	1	Display Battery Control
30	49703010	1	Check Card Bat. + Display
31	60503002	4	Lock Washer
32	60140304	4	Screw M3 x 14
33	20212040	1	Ozone Assembly Relay Support
34	60140401	2	Screw M4 x 8
35	49620020	1	Relay
36	49600002	1	Relay Base
37	62800301	1	1-Way Fuseholder
38	62800301	1	3A Fuse

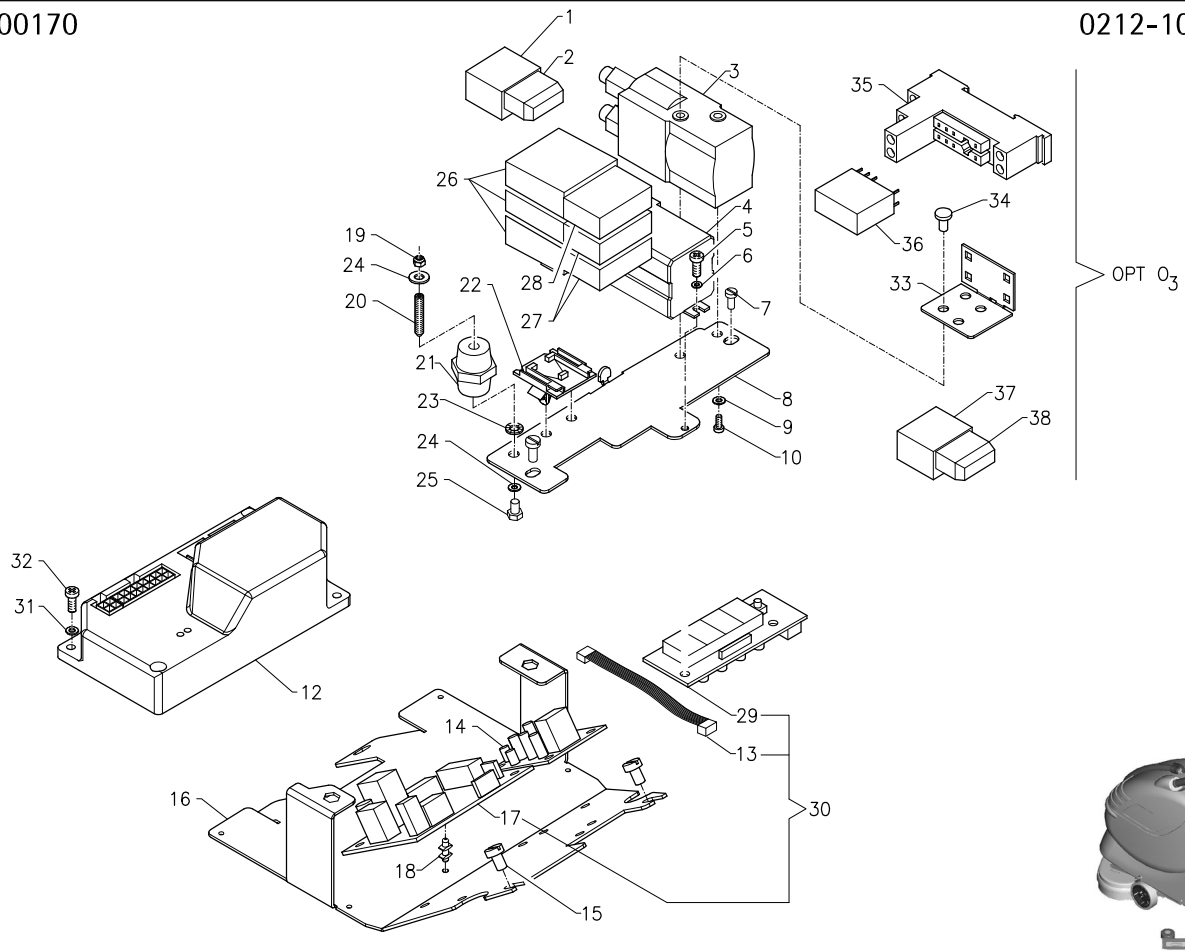
Return to TOC



Return to TOC

No.	Part No.	Qty	Description
1	62800001	1	Fuseholder 1-Way
2	62800301	1	Fuse 3A
3	49620100	1	Remote Control Switch 24V
4	49620010	1	Relay 24V - 30A
5	60140301	1	Screw M3 x 10
6	60303002	1	Washer
7	60140504	2	Screw M5 x 14
8	20212020	1	Electrical Components Panel
9	60504001	2	Lock Washer
10	60140401	2	Screw M4 x 8
11	60220301	1	Lock Nut
12	49701220	1	Chopper Card
13	49801014	1	Display Cable
14	49704001	1	Motor Check Card
15	60140502	4	Screw M5 x 8
16	20212010	1	Electrical Installation Panel
17	49703020	1	Battery Check Card
18	63705001	7	Double Coupler
19	60220502	1	Lock Nut
20	60160503	1	Dowel
21	63706001	1	Insulator
22	63717002	1	Fixing Plate
23	60505001	1	Lock Washer
24	60305001	2	Washer
25	60110501	1	Screw M5 x 8
26	62800002	3	Fuseholder
27	62805001	2	Fuse 50A
28	62803001	1	Fuse 30A
29	63707001	1	Battery Control Display
30	49703010	1	Battery Check Card + Display
31	60503002	4	Lock Washer
32	60140304	4	Screw M3 x 14
33	20212040	1	Ozone Relay Support Assembly
34	60140401	2	Screw M4 x 8
35	49620020	1	Relay
36	49600002	1	Base for Relay
37	62800001	1	Fuseholder
38	62800301	1	Fuse 3A

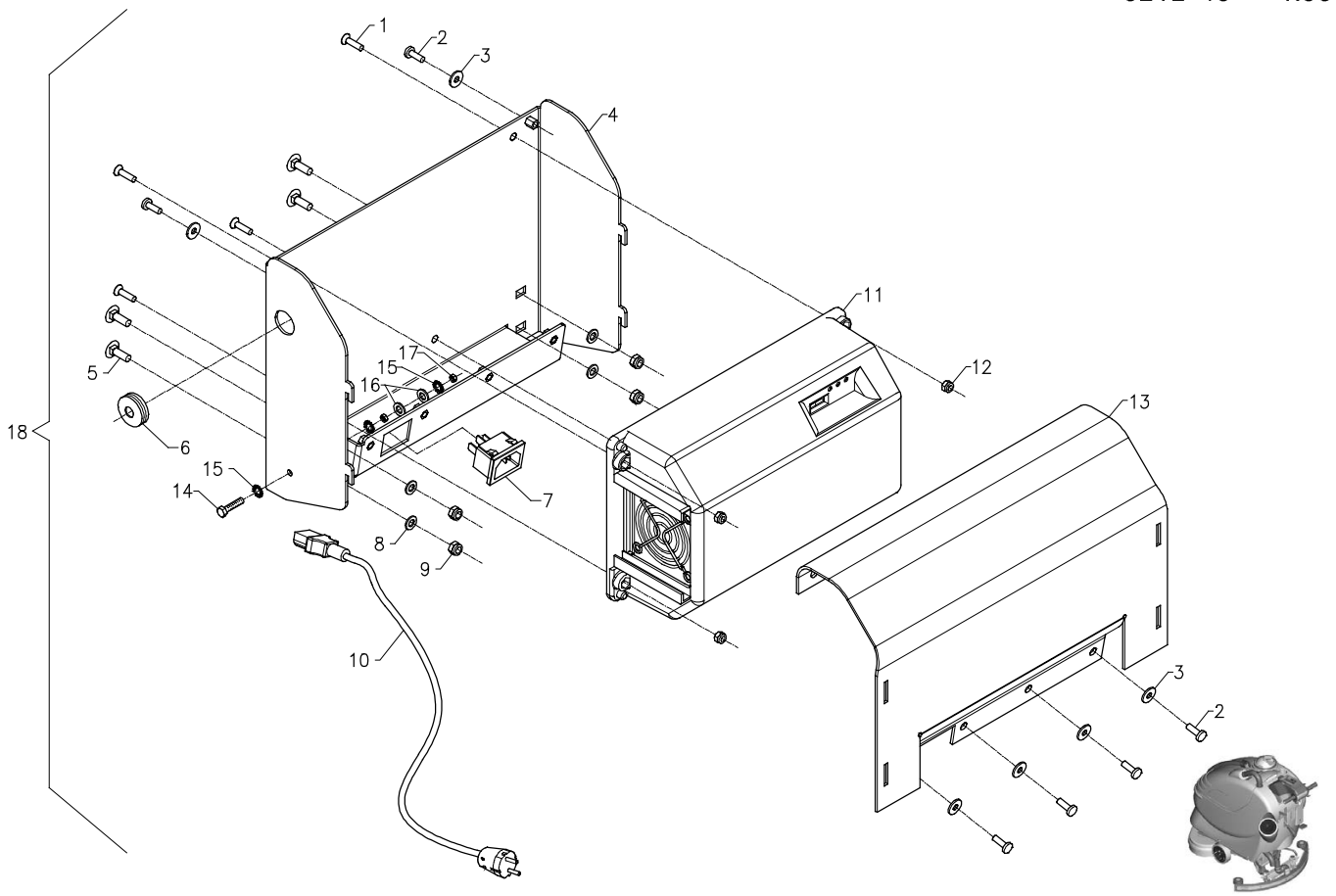
Return to TOC



Return to TOC

No.	Part No.	Qty	Description
1	62800001	1	1-Way Fuseholder
2	62800301	1	3A Fuse
3	49620100	1	Remote Control Switch 24V 100A
4	49620010	1	Relay
5	60140311	1	Screw M3 x 6
6	60303002	1	Washer
7	60140504	2	Screw M5 x 14
8	20212020	1	Electronic Control Panel
9	60504001	2	Lock Washer
10	60140401	2	Screw M4 x 8
12	49701220	1	Chopper Card
13	49801014	1	Display Cable
14	49704001	1	Motor Control Check Card
15	60140502	4	Screw M5 x 8
16	20212010	1	Electrical Installation Panel
17	49703020	1	Batteries Check Card
18	63705001	7	Double Coupler
19	60220502	1	Lock Nut
20	60160503	1	Dowel
21	63706001	1	Insulator
22	63717002	1	Fixing Plate
23	60505001	1	Lock Washer
24	60305001	2	Washer
25	60110501	1	Screw M5 x 8
26	62800002	3	Maxifuseholder 1-Way
27	62805001	2	Maxifuse 50A
28	62803001	1	Maxifuse 30A
29	63707001	1	Display Battery Control
30	49703010	1	Check Card Bat. + Display
31	60503002	4	Lock Washer
32	60140304	4	Screw M3 x 14
33	20212040	1	Ozone Assembly Relay Support
34	60140401	2	Screw M4 x 8
35	49620020	1	Relay
36	49600002	1	Relay Base
37	62800001	1	1-Way Fuseholder
38	62800301	1	3A Fuse

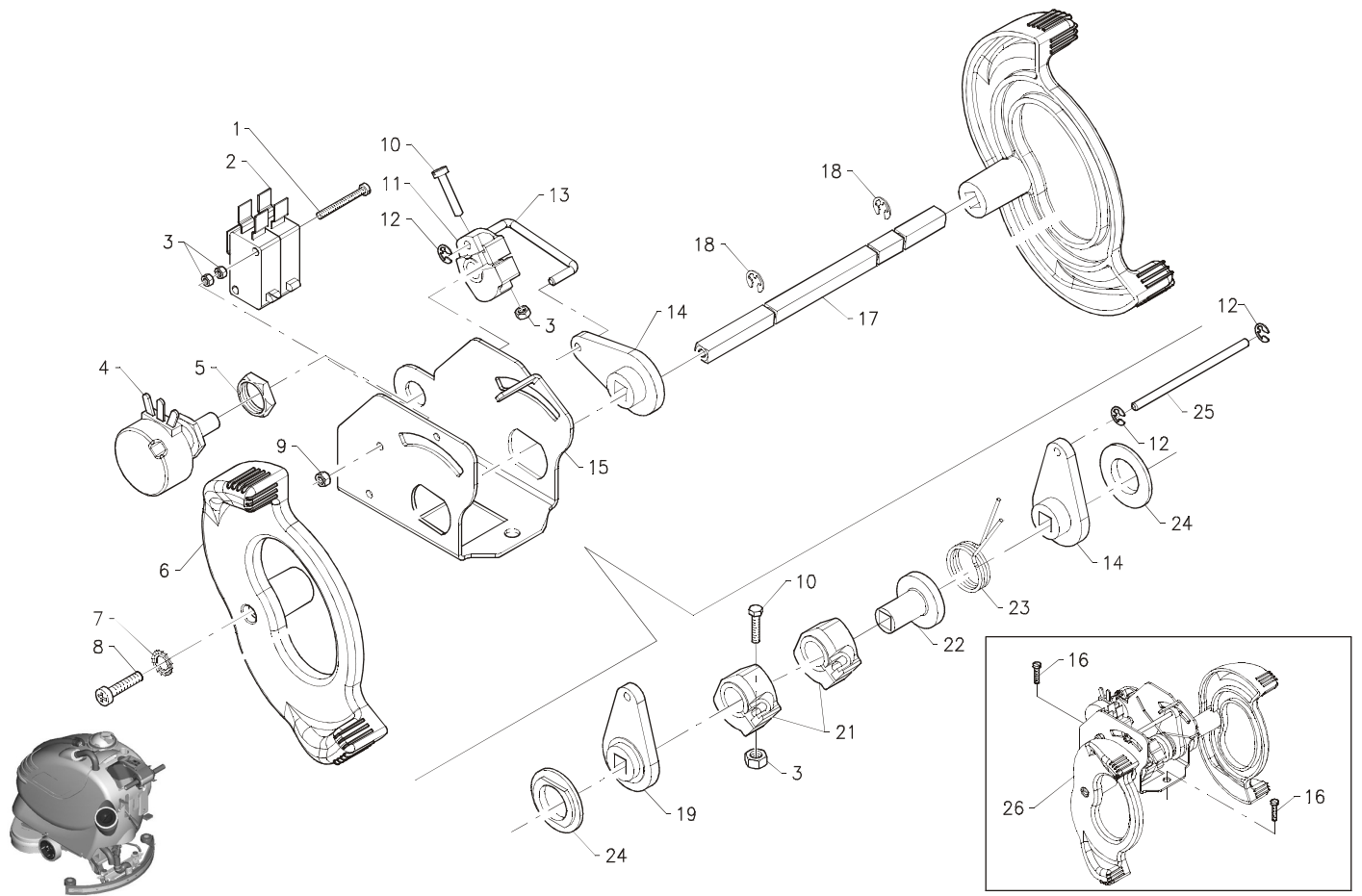
Return to TOC



Return to TOC

No.	Part No.	Qty	Description
1	60170404	4	Screw M4 x 16
2	60140407	6	Screw M4 x 10
3	60304004	6	Washer
4	20201070	1	Charger Support
5	60100504	4	Screw M5 x 16 INOX
6	20212030	1	Gromet
7	62600002	1	Main Socket 10A 250V
8	60305002	4	Washer INOX
9	60220503	4	Lock Nut INOX
10	64610012	1	Charger Cable
	64602028		Battery Charger w/Cable (BR 22/14 up to S/N 13001158 and BD 26/14 up to S/N 13000686)
11	64602030	1	Battery Charger (BR 22/14 from S/N 13001159 and BD 26/14 from S/N 13000687)
12	60220401	4	Lock Nut
13	48602210	1	Charger Splash Guard
14	60110403	1	Screw M4 x 14 INOX
15	60504001	3	Lock Washer
16	60304002	2	Washer
17	60210402	1	Nut
18	V0200004	1	Battery Chager Assembly

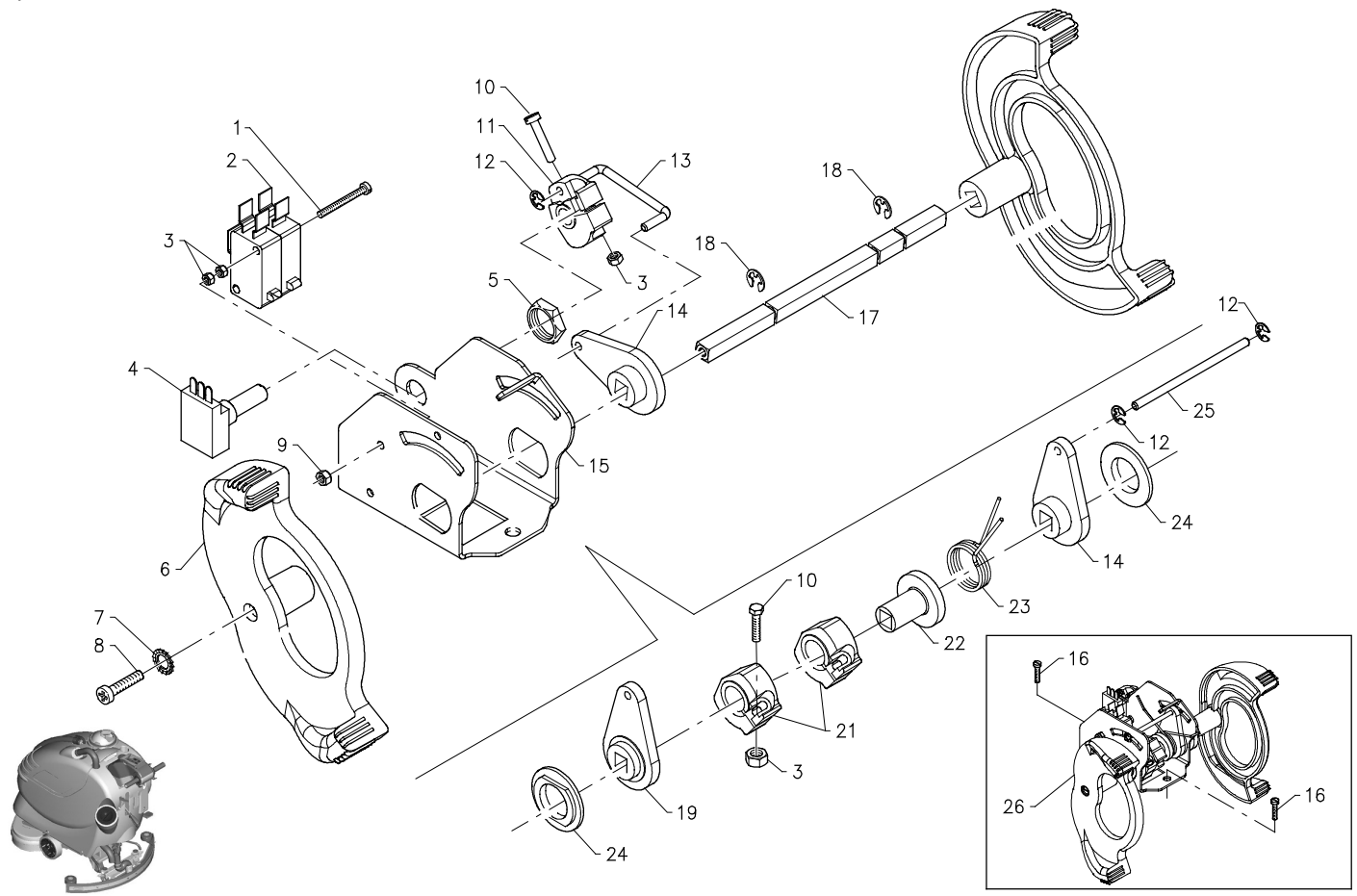
Return to TOC



Return to TOC

No.	Part No.	Qty	Description
1	60140307	1	Screw M3 x 35
2	63409001	1	Microswitch 10A
3	60210302	4	Brass Nut
4	63415001	1	Potentiometer
5	63499004	1	Potentiometer Nut
6	20113010	2	Drive Control Lever
7	60503002	1	Lock Washer
8	60140301	1	Screw M3 x 10
9	60220301	1	Lock Nut
10	60140304	2	Screw M3 x 14
11	20113110	1	Potentiometer Lever
12	61140002	4	Locking Ring
13	20113080	1	Drive Control Tie Rod
14	20113050	2	Spring Side Lever
15	20113030	1	Drive Control Support
16	60140502	1	Screw M5 x 8
17	20113040	1	Camshaft
18	61140001	2	Stop Ring
19	20113060	1	Lever
21	20113070	2	Micro Cam Drive Control
22	47101120	1	Bushing
23	47230020	1	Drive Control Spring
24	47101080	2	Bushing
25	20113090	1	Spring Stop
26	V0213001	1	Drive Control Assembly

Return to TOC



Return to TOC

No.	Part No.	Qty	Description
1	60140307	1	Screw M3 x 35
2	63409001	1	Microswitch 10A
3	60210302	4	Brass Nut
4	63415006	1	Potentiometer
5	63499004	1	Potentiometer Nut
6	20113010	2	Drive Control Lever
7	60503002	1	Lock Washer
8	60140301	1	Screw M3 x 10
9	60220301	1	Lock Nut
10	60140304	2	Screw M3 x 14
11	20113110	1	Potentiometer Lever
12	61140002	4	Locking Ring
13	20113080	1	Drive Control Tie Rod
14	20113050	2	Spring Side Lever
15	20113030	1	Drive Control Support
16	60140502	1	Screw M5 x 8
17	20113040	1	Camshaft
18	61140001	2	Stop Ring
19	20113060	1	Lever
21	20113070	2	Micro Cam Drive Control
22	47101120	1	Bushing
23	47230020	1	Drive Control Spring
24	47101080	2	Bushing
25	20113090	1	Spring Stop
26	V0113501	1	Drive Control Assembly

Return to TOC