



TORNADO INDUSTRIES, LLC
3101 WICHITA COURT
FORT WORTH, TX 76140
PHONE: 800-VACUUMS
FAX: 817-551-0719
WWW.TORNADOVAC.COM

Operations & Maintenance Manual
For Commercial Use Only



BD 17/6 17" AUTOMATIC SCRUBBER
MODEL NO: 99617



Long Term Buyer Protection Limited Warranty

Tornado Industries, LLC. (Tornado) warrants to the end/user customer that the Tornado product(s) will be free from defects in material and workmanship for the duration(s) described below. This limited warranty DOES NOT cover machines and/or components subject to normal wear and tear, damage that occurs in shipping, failures resulting from modification, accident, unsuitable operating environment, misuse, abuse, neglect, or improper maintenance by you. For full details, contact your Authorized Tornado Distributor, Service Center, or the Tornado Technical Service Department. Tornado sales and service representatives are not authorized to waive or alter the terms of this warranty, or to increase the obligations of Tornado under the warranty.

10 Years*

Plastic water tanks and Rotationally-molded bodies

2 Years*

Parts on all Tornado cleaning equipment

1 Year*

Labor on all Tornado cleaning equipment

1 Year*

Warranty on batteries, one year prorated

All battery warranties are handled directly by the battery manufacturer, on a one year prorated basis

Terms subject to change without notice

1. Except all Windshears™ Blowers, Storm, TV2SS, Side and Dowlndraft, Insulation Blowers, CV 30, CV 38, CK14/1 PRO, CK 14/2 PRO, SWM 31/9, CK LW13/1, CK LW 13/1 ROAM, CV 38/48 Dual, PV6, PV10, PV6 ROAM, Wall Mount Vacuum and all chargers are warranted for 1 (one) year for both parts and labor.
2. All non-wear item parts purchased after warranty expiration are warranted for 90 days.
3. Warranty starts from the date of sale to the consumer or, at Tornado's discretion, 6 months after the dealer purchased the unit from Tornado, whichever comes first.
4. The EB 30 is warranted for a period of 90 days for both parts and labor.
5. The warranty on engines used on propane powered equipment is limited to motor manufacturer's warranty.
6. Ride-on Scrubbers are warranted for 24 months, parts, 6 months labor or 1,000 hours, whichever occurs first.

Note: Tornado, The Latest Dirt, Floorkeeper, Carpetkeeper, Carpetrinsers, Carpetrinsers/Dryer, Headmaster, Taskforce, PAC-VAC, T-Lite, Glazer, Windshear, Max-Vac and Trot-Mop are trademarks of Tornado Industries

Website: www.tornadovac.com
Phone 1-800-VACUUMS
Fax 817-551-0719
Address 3101 Wichita Court
Fort Worth, TX 76140



NOTES

INTRODUCTORY COMMENT

Thank you for selecting our machine.

This floor cleaning machine is used for the commercial cleaning of most types of hard floors. During forward movement, the combined action of the brush and the detergent solution remove the dirt which, is recovered through the rear squeegee assembly, giving a perfectly dry surface.

The machine must be used only for this purpose. It gives the best performance if it is used correctly and maintained in good condition. Read this instruction booklet carefully prior to using this machine and whenever difficulties arise in the course of the machine's use. Contact our service department for all advice and servicing as may prove necessary.

GENERAL RULES OF SAFETY

The rules below must be followed carefully in order to avoid injury to the operator and damage to the machine.

- Read the labels on the machine carefully. Do not cover them for any reason and replace them immediately if damaged.

- The machine must be used only by authorized staff that have been instructed on its correct and proper use.

- When operating the unit, pay attention to other people and especially to children.

- Do not allow the machine to be used as a toy.

- The machine is not to be used by persons, with reduced physical, sensorial or mental capabilities, or with lack of experience and/or knowledge.

- The outlet for the charger must be equipped with a standard electrical ground system.

- Do not allow the cord to become damaged.

- Do not mix different detergents.,

- Storage temperature: between 32°F (0°C) and 131°F (+55°C).

- Operating temperature: between 32°F (0°C) and 104°F (+40°C).

- The humidity should not exceed 95%.

- Do not use the machine in explosive atmosphere.

- Do not use the machine as a means of transport.

- Do not use the machine on stairs.

- Do not use acid solutions which could damage the machine.

- To avoid damage to the floor, do not allow the brush to rotate while the machine is in one place. The machine must be moving while the brush is rotating.

- Do not use the machine on surfaces covered with inflammable liquids or dusts (for example hydrocarbons, ashes or soot).

- In case of fire, use a powder based fire extinguisher. Do not use water.

- Do not strike structures where there is a danger of falling objects.

- Do not use the machine on areas having a higher gradient than the one stated on the number plate.

- Place appropriate signs in and around the cleaning area.

- If the machine does not work properly, check by conducting simple maintenance procedures. Otherwise, ask for technical advice from an authorized service center.

- Where parts are required, ask for ORIGINAL spare parts from the distributor and/or from an authorized dealer.

- Use only ORIGINAL brushes indicated in the paragraph "RECOMMENDED BRUSHES".

- For any cleaning and/or maintenance operation remove the power from the machine.

- Do not take off the protections which require the use of tools for their removal.

- Do not wash the machine with direct water jets or with high water pressure nor with corrosive material.

- Every 200 working hours have a machine check by an authorized service technician.


- Before using the machine, check that all panels and coverings are in their position as indicated in this use and maintenance manual.


- Restore all electrical connections after any maintenance operation.


- Provide for the scrapping of the material of normal wear (brushes, squeegee blades etc.) following strictly the respective rules.


- When your machine has stopped functioning, provide for the appropriate waste disposal of its materials, especially oils, batteries and electronic components, and considering that the machine itself has been, where possible, constructed using recyclable materials.


SYMBOLOLOGY


 Symbol 0/1 indicating the ON/OFF switch and its signal lamp.


 Symbol denoting the solution valve. Indicates the switch and the signal lamp of the solenoid valve.


 Symbol denoting the brush. Indicates the switch and the signal lamp of the brush motor.


 Symbol denoting the suction motor. Indicates the switch and the signal lamp of the suction motor.


 Symbol denoting the charge level of the batteries.


 Symbol that indicates the position of the drain plug of the solution tank.

 This symbol indicates that the tanks are to be emptied before rotating the machine.

 Indication of the maximum temperature of the solution detergent.

 Symbol that indicates the flow adjuster of the detergent solution.

 Symbol denoting the crossed bin. Indicates that at the end of its activity, the machine has to be disposed conforming to the laws in force.

 Symbol denoting the open book. Indicates that the operator has to read the manual before the use of the machine.

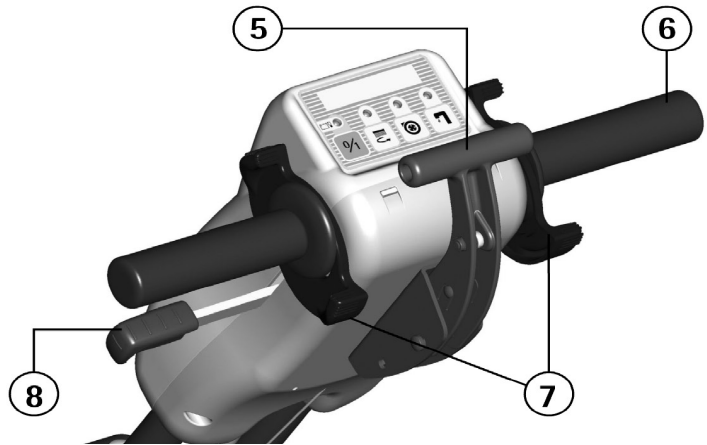
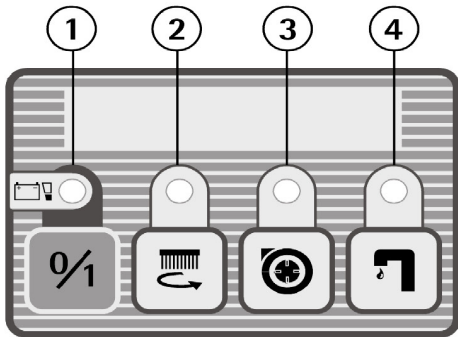
SUMMARY

INTRODUCTORY COMMENT	4
GENERAL RULES OF SAFETY	4
SYMBOLOLOGY	4
TECHNICAL DESCRIPTION	6
LEGEND INSTRUMENT BOARD AND CONTROLS	7
LEGEND MACHINE	7
BEFORE USE	8
HANDLING OF THE PACKED MACHINE	8
UNPACKING OF THE MACHINE	8
MOVEMENTS OF THE HANDLE BAR	8
BATTERY CONNECTIONS	8
BATTERY CHARGING	8
BATTERIES DISPOSAL	8
RECOVERY TANK	9
SOLUTION TANK	9
FLOOR CLEANING	9
STARTING OF THE MACHINE	9
COMPLETE SQUEEGEE ROTATION	9
DRYING GOING BACKWARDS	9
SQUEEGEE LIFTING	10
HANDLE BAR ADJUSTMENT	10
OVERFLOW DEVICE	10
STOPPING THE MACHINE AFTER CLEANING OPERATION	10
DAILY MAINTENANCE	11
RECOVERY TANK CLEANING	11
EMPTYING AND CLEANING OF THE SOLUTION TANK AND FILTER	11
SUCTION FILTER CLEANING	11
VERTICAL POSITIONING OF THE MACHINE	11
BRUSH CLEANING	11
BRUSH REMOVAL/INSTALLATION	11
SQUEEGEE CLEANING	12
ORDINARY MAINTENANCE	12
REAR SQUEEGEE RUBBER REPLACEMENT	12
FRONT SQUEEGEE RUBBER REPLACEMENT	12
TROUBLESHOOTING GUIDE	12
THE SUCTION MOTOR DOES NOT WORK	12
THE BRUSH MOTOR DOES NOT WORK	13
INSUFFICIENT WATER ON THE BRUSH	13
THE MACHINE DOES NOT CLEAN PROPERLY	13
THE SQUEEGEE DOES NOT DRY PERFECTLY	13
EXCESSIVE FOAM PRODUCTION	13
LED (2), (3) AND (4) BECOME RED	13
PROGRAMMED MAINTENANCE	14
RECOMMENDED BRUSHES	14

TECHNICAL DESCRIPTION		
Cleaning width	mm/in.	430/17
Squeegee width	/in.mm	510/20
Battery voltage	V	24
Battery capacity	Ah 5	34
Power rating	W/A	670/28
Working capacity, up to	sqm/h/sqft/hr	1505/16,200
Brush diameter	mm/in.	430/17
Brush rpm	rpm	155
Brush pressure	kg/lbs.	35/77
Suction vacuum	mbar/in. water lift	83/33
Type of drive		semi autom.
Maximum gradient	%	2
Capacity solution tank	l/gal.	22/6
Capacity recovery tank	l/gal.	22/6
Machine length (min)	mm/in.	793/31
Machine height	mm/in.	603/24
Machine width	mm/in.	518/21
Machine weight (empty, with batteries)	kg/lbs.	86,5/191
Weight of the batteries	kg/lbs.	30/66
Recharging time max	h	10
Battery compartment (L x W x H)	mm/in.	346 x 207 x 21013.6 x 8 x 8
Acoustic pressure level (in conformity with EN 60470_01)	dB (A)	<70
Class		III
Protection level	IP	X3
Battery charger voltage	V ~	120-230
Battery charger frequency	Hz	50-60
Battery charger class		I

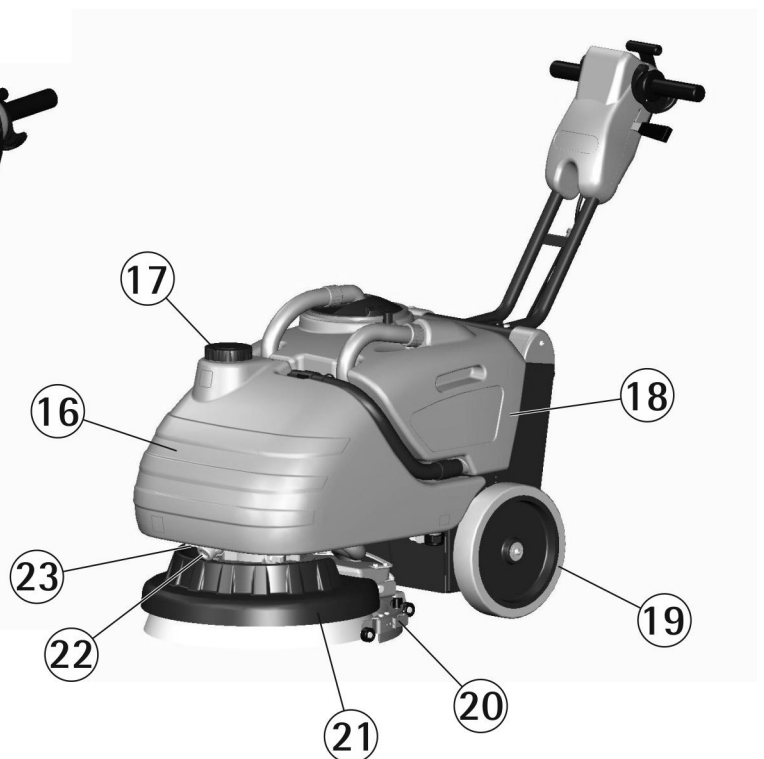
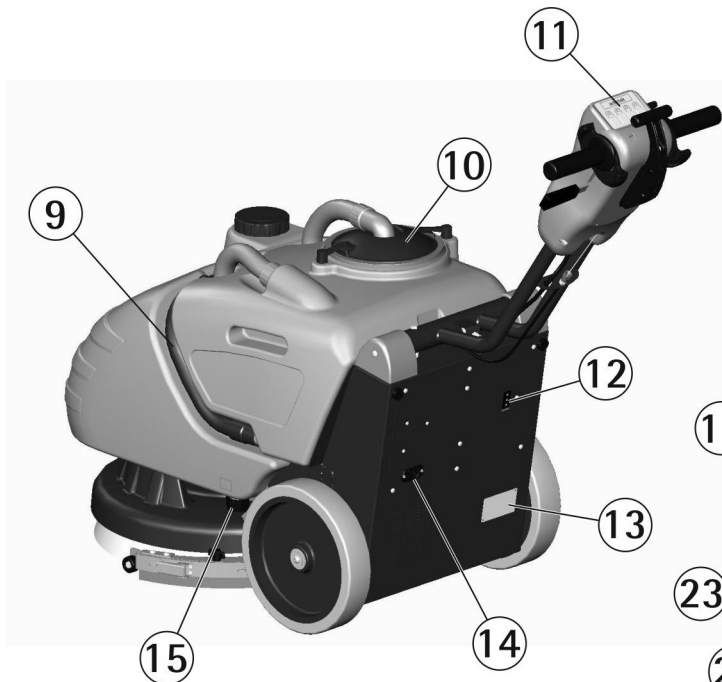
LEGEND INSTRUMENT PANEL AND CONTROLS

1	ON/OFF SWITCH WITH SIGNAL SIGNAL LAMP	5	SQUEEGEE LIFT LEVER
2	BRUSH MOTOR SWITCH WITH SIGNAL LAMP	6	HANDLE BARS
3	SUCTION MOTOR SWITCH WITH SIGNAL LAMP	7	SCRUB CONTROL LEVERS
4	SOLENOID VALVE SWITCH WITH SIGNAL LAMP	8	HANDLE BAR RELEASE LEVER



LEGEND MACHINE

9	EXHAUST HOSE RECOVERY TANK	17	CAP FOR SOLUTION TANK FILLING
10	SUCTION COVER	18	RECOVERY TANK
11	INSTRUMENT BOARD	19	WHEELS
12	BATTERY CHARGE LEVEL LED INDICATOR (AGM)	20	SQUEEGEE ASSEMBLY
13	SERIAL NUMBER PLATE	21	BRUSH COVER
14	MAINS PLUG FOR ELECTRIC CABLE BATTERY CHARGER	22	SOLUTION TANK FILTER
15	DRAIN PLUG SOLUTION TANK	23	SOLUTION FLOW ADJUSTMENT
16	SOLUTION TANK		





Warning symbol.

Read carefully the sections marked with this symbol, for the security of both the operator and the machine.

BEFORE USE

HANDLING OF THE PACKED MACHINE

The machine is supplied with suitable packing.

The total weight is 221 lbs. (100 kg)

Packing dimensions:

Base: 33" x 22" (84,5 cm x 57 cm)

Height: 33" (85 cm)

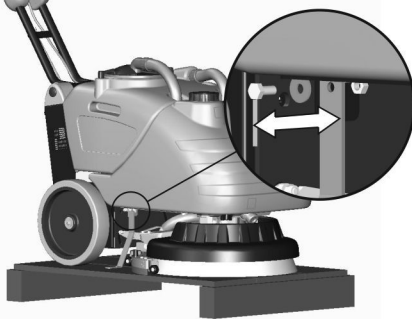


ATTENTION:

Do not stack more than 2 machines.

UNPACKING THE MACHINE

1. Remove the outer package.
2. Loosen the two screws that hold the two brackets to the machine.
3. Remove the screws that hold the brackets to the pallet and remove the brackets.
4. Rotate the handle bar into working position (see under "MOVEMENTS OF THE HANDLE BAR") lower the machine from the pallet and push it forwards on the wheels, tilting the machine backwards to avoid damaging the mechanical parts.



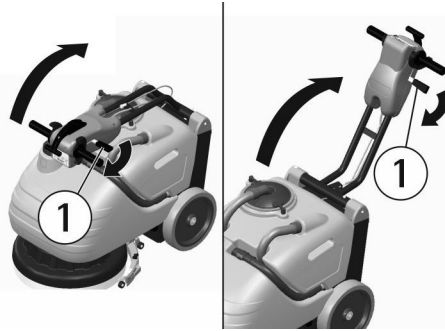
MOVEMENT OF THE HANDLE BAR

The handle bar arrives in the closed position.

To rotate the handle bar into one of the different working positions:

1. Pull up the release lever (1) near the handle bar.
2. Rotate the handle bar into the working position while holding the release lever (1).
3. release the release lever (1) to lock the handle bar.

Use the same procedure for further height adjustment of the handle bar in order to find the most comfortable working position.



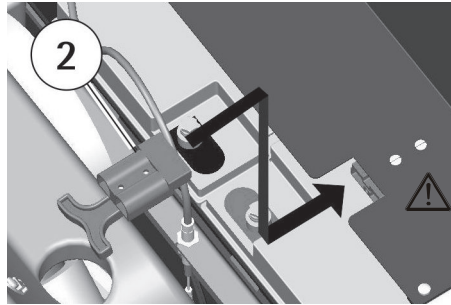
BATTERY CONNECTIONS

This machine is supplied with two batteries already connected, placed in the appropriate compartment under the recovery tank. In case the batteries need to be replaced, please contact the authorized technical assistance.

The replacement batteries must have the identical performance as the ones already installed.

2 batteries AGM 12V 34Ah5.

With the connector (2) it is possible to connect or disconnect the batteries.



BATTERY CHARGING

The label with the indication "AGM" placed on the frame in the rear part of the machine, identifies that the machine is equipped with AGM batteries and a suitable battery charger.

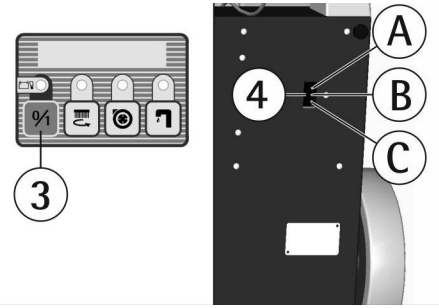
Switching on the machine using the ON/OFF switch (3), in the rear part of the machine the charge level of the batteries (4) is visible.

A: green led on = batteries charged.

B: orange led on = batteries almost discharged.

C: red led on = complete discharge of the batteries.

When the led of the charger becomes red (C), the led of the ON/OFF switch (3) becomes red also. This will cause all functions of the machine to be shut off.



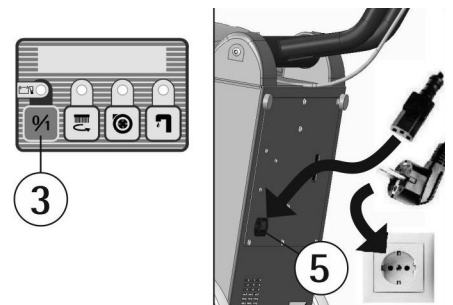
During the charging operation the machine's functions are disabled.

To charge the batteries, park the machine on a level surface near a single-phase socket. Switch off the machine at the on/off switch (3). Connect the charging cable, supplied with the machine, to both the machine (5) and to the outlet socket as indicated in the figure. At the end of the charging phase, remove the charging cable. The charge phase is complete only when the green led (A) on the charger comes on



ATTENTION:

In order not to cause permanent damage to the batteries, never leave them completely discharged. If the machine is not to be used for more than two weeks, disconnect the battery connector (see under "CONNECTION BATTERIES").



ATTENTION:

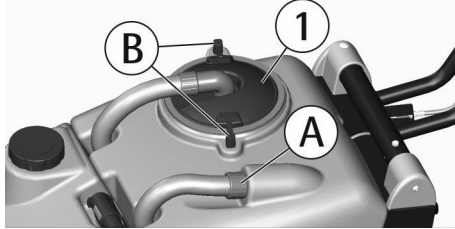
Never charge batteries with a non-suitable charger. Strictly follow the instructions supplied by the batteries and charger manufacturer.

BATTERIES DISPOSAL

It is mandatory to dispose of exhausted batteries, classified as dangerous waste, to an authorized institution according to the current laws.

RECOVERY TANK

Check that the cover of the suction filter (2) is correctly secured, after rotating the levers (B). Also check that the squeegee hose is correctly seated (A).



SOLUTION TANK

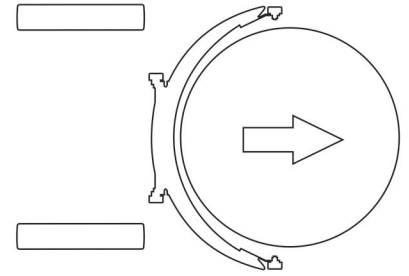
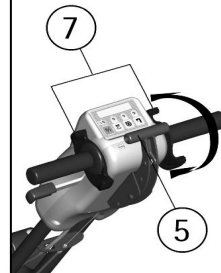
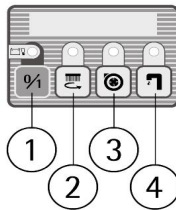
Remove the cap (6) on top of the tank and fill the solution tank with clean water at a maximum temperature of 122°F (50°C). Add the liquid detergent in the percentage recommended by the manufacturer. To avoid excessive foaming, which could cause problems to the vacuum motor, use the minimum percentage of detergent. Screw down the plug to close the tank



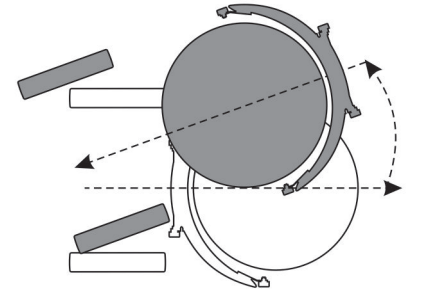
4. Press the switch for the brush motor (2).
5. Press the switch for the vacuum motor (3).
6. Press the switch for the solenoid valve (4).

The machine is equipped with a solenoid valve, which activates the solution flow automatically when the control levers (7) are engaged. Releasing these levers will stop the flow automatically.

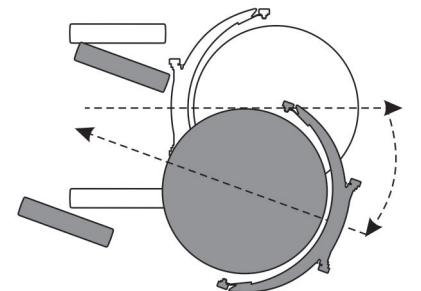
7. Activate the levers (7) and push the unit forward, the brush will start rotating. The solution flow begins and the squeegee will start drying the floor.
8. During the first few feet check that the solution flow is appropriate. The flow adjuster of the solution is already adjusted at the factory to satisfy the cleaning of most floors. If it is necessary to adjust the quantity of solution onto the floor, adjust the lever of the flow adjuster (8).



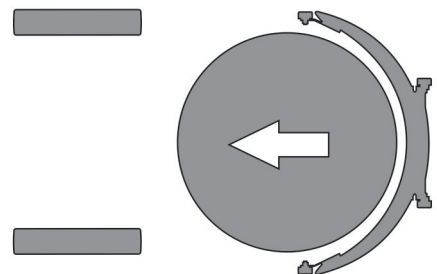
Drying going forward



Reversal of squeegee position with rotation to the right



Reversal of squeegee position with rotation to the left



Drying going backwards

⚠ ATTENTION:

Always use low foam detergent. To avoid excessive foaming, before starting operation, add into the recovery tank a quantity of anti-foam product as recommended by the product manufacturer. Never use acid.

FLOOR CLEANING

STARTING OF THE MACHINE

The push buttons on the instrument panel are lit with a green signal LED that shows the activation of each control.

1. Switch on the machine by pressing the on/off switch (1).
2. Check the battery charge level (see under "BATTERY CHARGING").
3. Lower the squeegee by rotating the handle of the squeegee lifting lever (5), placed on the rear of the handle bar, down.

COMPLETE SQUEEGEE ROTATION

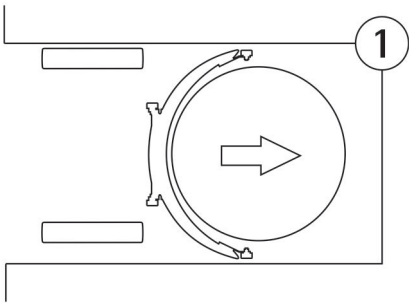
Thanks to the complete squeegee rotation, it is possible to wash and dry both in forwards and reverse. Following the indicated drawings, the reversal of the squeegee position is made easier, permitting the drying in reverse.



DRYING GOING BACKWARDS

With the squeegee positioned in the front part of the machine it is possible to dry where a traditional squeegee can not. Below are some examples of how to use the complete squeegee rotation. Wash the interested surface (1).

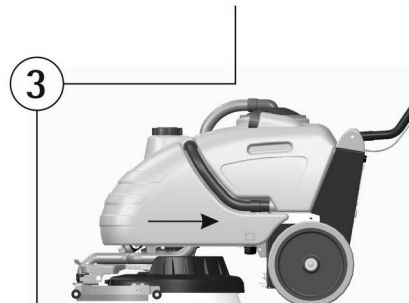
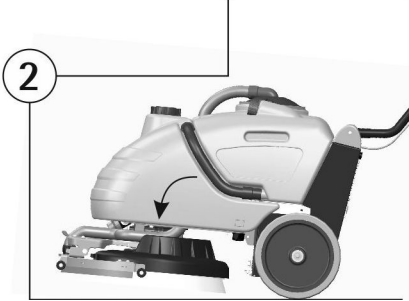
Wash the surface (1).



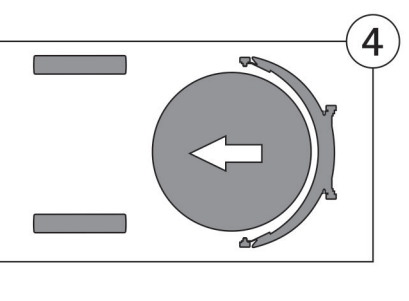
Rotate the squeegee to the right or to the left (see under "COMPLETE SQUEEGEE ROTATION") to bring it to the front.

By pushing down on the handle, lift the machine slightly (2) and move onto the surface to dry (3).

⚠ ATTENTION:
When the machine is lifted, release the handle bar levers to stop the brush rotation avoiding water splashing.



Proceed backwards to dry the surface just washed (4).

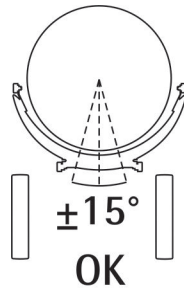


SQUEEGEE LIFTING

To lift the squeegee, lift the lever (5) situated on the rear of the handle bar.



It is only possible to lift the squeegee when it is situated close to the center point. If the squeegee is not close to the center point, even moving the lever (5) it will not lift the squeegee assembly.



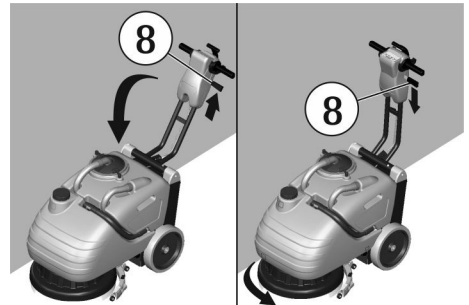
⚠ ATTENTION:
During normal operation, the lifting lever of the squeegee must be kept in the down position.

HANDLE BAR ADJUSTMENT

When approaching obstacles or near walls, it is possible to simplify the handling of the machine by adjusting the handle bar more vertically with respect to the machine.

To rotate the handle bar:

1. Lift the release lever (8) near the handle bar.
 2. Rotate the handle bar into the new working position keeping the release lever (8) pulled.
 3. Release the lever (8) to lock the handle bar in the desired position.
- Once the obstacle has been passed repeat the operation to return to the previous working position. This operation is also possible with the machine in motion while maintaining pressure on the release lever.



OVERFLOW DEVICE

In order to avoid damage to the vacuum motor, the machine is equipped with a float that closes off the suction when the recovery tank is full. When this happens, it is necessary to empty the recovery tank.

1. Hold the exhaust hose (9) of the recovery tank.
2. Remove the exhaust plug and empty the recovery tank into appropriate containers, according to the standard norms for liquid disposal.

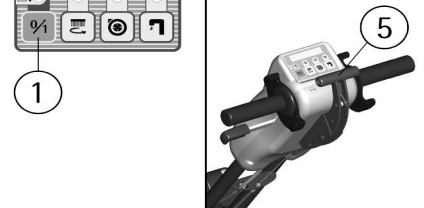
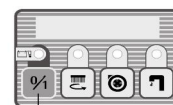
⚠ ATTENTION:
This operation must be carried out using gloves to protect from contact with dangerous solutions.



STOPPING THE MACHINE AFTER CLEANING OPERATION

Before carrying out any type of maintenance:

1. Switch off the on/off switch (1).
2. Lift the squeegee by rotating the lever (5), placed in the rear center of the handle bar, up (see under "SQUEEGEE LIFTING").
3. Move the machine to an appropriate place for tank draining.



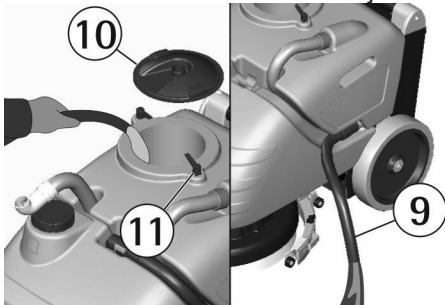
⚠ ATTENTION:

The machine is not equipped with a parking brake, do not leave it unattended on slopes.

DAILY MAINTENANCE

RECOVERY TANK CLEANING

1. Hold the exhaust hose (9) of the recovery tank.
2. Remove the exhaust plug and empty the recovery tank into appropriate containers (see under "OVERFLOW DEVICE").
3. Take off the suction cover (10) after rotating the blocking levers (11).
4. Empty the tank by using the hose (9).
5. Rinse the tank with a water jet.



⚠ ATTENTION:

This operation must be carried out using gloves to protect from contact with dangerous solutions.

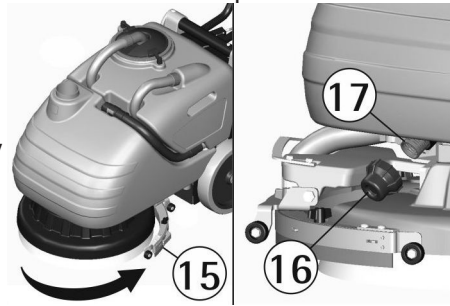
EMPTYING AND CLEANING OF THE SOLUTION TANK AND FILTER

To empty any solution remaining in the solution tank:

1. Move the machine to an appropriate place for tank draining.
2. Switch off the machine by pressing the on/off switch.
3. Unscrew the cap (12) of the solution tank and take off the filter (14).
4. Unscrew the drain plug (13) placed in the rear low left part of the machine and allow the solution to drain out.



5. Manually rotate the squeegee (15) towards the front part of the machine to access the filter (16).
6. Unscrew the filter cover (16), remove the cartridge (17) and rinse it with a water jet.
7. Reassemble all parts.



⚠ ATTENTION:

This operation should be carried out wearing gloves to prevent contact with dangerous solutions.

SUCTION FILTER CLEANING

1. Take off the suction cover (16) after rotating the blocking levers (17).
2. Take off the filter with the float, bending the filter edge to release it from the screws on the cover.
3. Clean all parts with a water jet.
4. Reassemble everything.



VERTICAL POSITIONING OF THE MACHINE

The machine can be placed in a vertical position tipped over on its back after having folded the handle bar onto the machine.

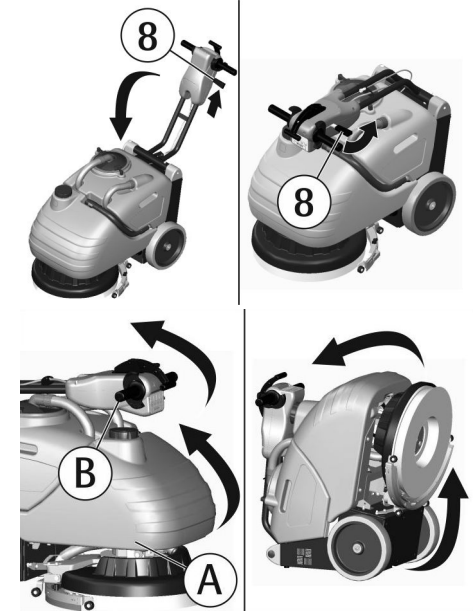
This position allows the unit to be stored in a small space and simplifies maintenance operations.

- To rotate the machine it is necessary to:
1. Switch off the machine.

2. Check that both tanks are empty, otherwise, empty them (see under "EMPTYING AND CLEANING OF THE RECOVERY TANK" and "EMPTYING AND CLEANING OF THE SOLUTION TANK").
3. Pull up on the handle bar release lever (8) near the handle bar.
4. Rotate the handle bar towards the tanks keeping the release lever (8) pulled.
5. Release the lever (8) to lock the handle bar in position.
6. Hold the machine with both hands in point (A) of the tank side and (B) from the handle bar as indicated in the figure.
7. Lift the front part of the machine rotating it on the rear wheels and bringing it into the vertical position as shown in the figure.

⚠ ATTENTION:

The position of the vertical parking should be used when you expect not to use the machine for more than 2-3 days, to avoid the weight of the machine damaging the brush.



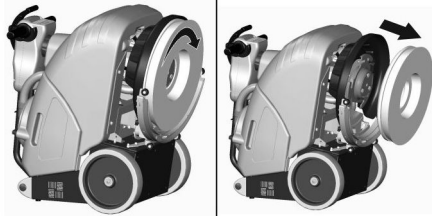
BRUSH CLEANING

Remove the brush and clean it with a water jet (for the disassembly see under "BRUSH REMOVAL/FITTING").

BRUSH REMOVAL/FITTING

1. Tip the machine over backwards (see under "VERTICAL POSITIONING OF THE MACHINE") remember to switch off the on/off switch and to empty the tanks.

2 With the machine in this position rotate the brush clockwise, as indicated in the figure, until it is released from the pins of the brush holder plate.

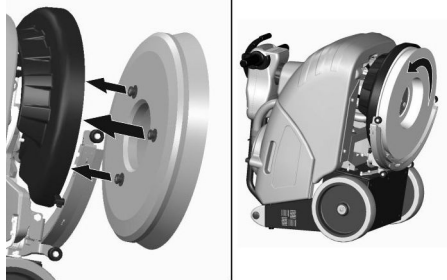


3. To reassemble the brush insert the pins into the slots of the brush holder plate and rotate counter-clockwise until it locks.

It is possible to use other brush types, depending on the floor type to be cleaned and on its dirt conditions (see under "RECOMMENDED BRUSHES").

⚠ ATTENTION:

The handling of the brush operation must be carried out wearing suitable gloves to protect both from contact with the bristles and dangerous solutions.

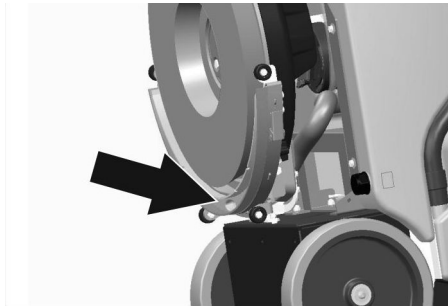


SQUEEGEE CLEANING

Keeping the squeegee clean guarantees the best drying action.

1. Tip over the machine backwards (see under "VERTICAL POSITIONING OF THE MACHINE") remember to switch off the on/off switch and to empty the tanks.

2. With the machine in this position clean both the rubber squeegee blades and the suction inlet. Also remove any fibres (string or hair) that can prevent the support from turning freely.



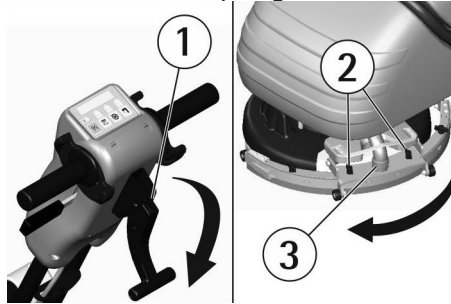
ORDINARY MAINTENANCE

REAR SQUEEGEE RUBBER REPLACEMENT

Check the squeegee rubber wear and turn or replace it, as needed.

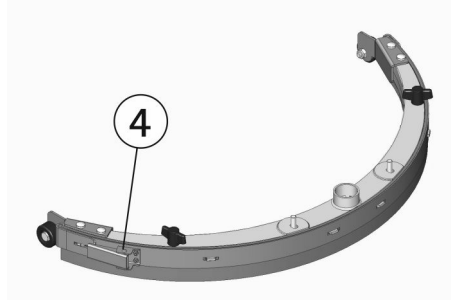
For replacement:

1. Lower the squeegee by lowering the handle lever (1) placed in the rear center of the handle bar.
2. Rotate the squeegee outwards.
3. With the squeegee in this position remove the wing nuts (2) to free the squeegee.
4. Take off the of the squeegee hose (3) and take off the squeegee.



5. Release the catch (4) of the rubber blade clamp and take the rubber off to turn it to a new side or replace it.
6. Check that the coupling and the squeegee hose are not obstructed, clean the entire assembly.

To reassemble the squeegee reverse the operations above.

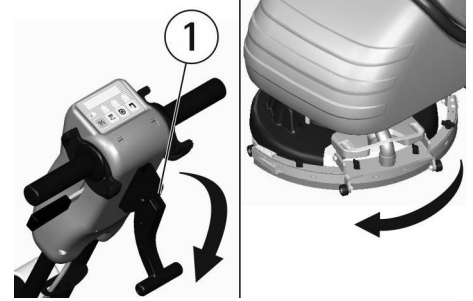


FRONT SQUEEGEE RUBBER REPLACEMENT

Check the wear of the front squeegee rubber and replace it if worn out.

For the replacement it is necessary to:

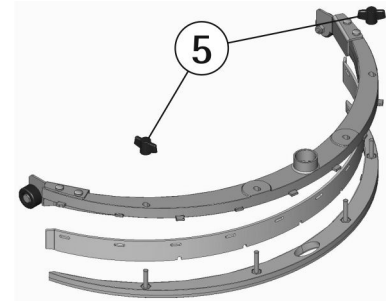
1. Lower the squeegee by lowering the handle lever (1) placed in the rear center of the handle bar.
2. Rotate the squeegee outwards.



3. With the squeegee in this position remove it and then take off the rear squeegee rubber (see under "REAR SQUEEGEE RUBBER REPLACEMENT").

4. Remove the wing nuts (5) in the upper part of the squeegee body, separate the two metal parts that form the squeegee body to take off the front rubber.
5. Clean all the components with water.

To reassemble the squeegee reverse the operations above.



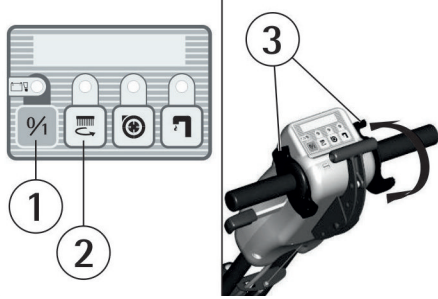
TROUBLESHOOTING GUIDE

THE VACUUM MOTOR DOES NOT WORK

1. Check the charge level of the batteries (see under "BATTERY CHARGING").
 2. Verify that the vacuum motor switch is activated and the green signal lamp is on.
 3. Check the level in the recovery tank (see under "OVERFILL PROTECTION") and if necessary, empty the tank.
- If the problem persists, please contact the authorized service center.

THE BRUSH MOTOR DOES NOT WORK

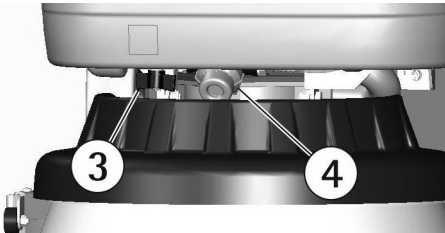
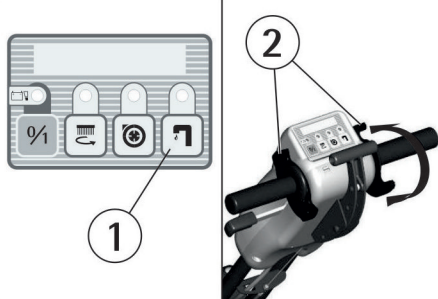
1. Check the charge level of the batteries (see under "BATTERY CHARGING").
2. Verify that the brush motor switch is activated and the green signal lamp is on.
3. Activate the scrub control levers (3). If the problem persists, please contact the authorized service center.



INSUFFICIENT WATER ON THE BRUSH

1. Check that the solenoid valve switch is activated and the green signal lamp is on.
2. Check the level of the liquid in the solution tank (see under "SOLUTION TANK").
3. Check that the solution flow adjuster (3) placed in front underneath the solution tank is open.
4. Press the brush control levers (2).
5. Check that the solution filter (4) is clean.

If the problem persists, please contact the authorized service center.



THE MACHINE DOES NOT CLEAN PROPERLY

1. The brush is not suited to the floor and/or conditions: use only original brushes. For advice, contact the authorized service center.
2. The solution flow is insufficient: open the solution flow adjuster (3).
3. Check that the liquid detergent is in the recommended percentage. Contact the authorized service center for advice.

THE SQUEEGEE DOES NOT DRY PERFECTLY

1. Check that the squeegee rubbers are clean.
2. Check that the suction hose is correctly inserted in the proper seat on the recovery tank and on the squeegee bar.
3. Check the suction filter.
4. Replace the rubbers if worn.
5. Check that the vacuum motor switch is on.
6. Check the level in the recovery tank (see under "OVERFILL PROTECTION") and if necessary, empty the tank.

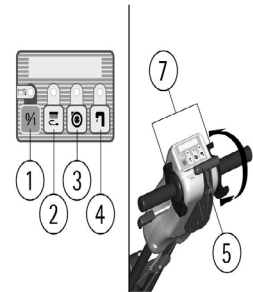
EXCESSIVE FOAM PRODUCTION

Check that low foam detergent has been used. Add small quantities of anti foam liquid into the recovery tank. Do not use excessive amounts of detergent as even with low foaming agent, the foam will be created and lead to vacuum motor damage. Also excessive detergent will result in solution pipe becoming blocked over time.

LED (2), (3) AND (4) BECOME RED

If the machine is operating, with the switch (1) on green and one of the three led (2), (3) or (4) change color, from green to red, it means that, an overload protection is taking place, for example:

- LED (2) RED: the brush motor is overloaded.
- LED (3) RED: the vacuum motor is overloaded.
- LED (4) RED: the coil of the solenoid valve may be short-circuited. To reset, switch off the ON/OFF switch (1), wait a few minutes and then switch on again. If the problem persists, please contact the authorized service center.



PROGRAMMED MAINTENANCE

REQUIRED ACTION	DAILY	WEEKLY	ORDINARY/MONTHLY
RECOVERY TANK CLEANING	•		
SUCTION FILTER CLEANING	•		
BRUSH CLEANING	•		
BRUSH REMOVAL	•		
SQUEEGEE ASSEMBLY CLEANING	•		
FRONT SQUEEGEE RUBBER REPLACEMENT			• if required
REAR SQUEEGEE RUBBER REPLACEMENT			• if required
SQUEEGEE HOSE CLEANING			•
SOLUTION TANK CLEANING			•
SOLUTION FILTER CLEANING		•	

RECOMMENDED BRUSHES

Brushes must be chosen depending on the type of floor and the dirt to be removed.

The material and the bristle diameter are the elements that distinguish different types of brushes.

MATERIAL	CHARACTERISTICS
PPL (Polypropylene)	Good wear resistance. Maintains characteristics with hot water up to 140°F (60°C). It is not hygroscopic.
TYNEX	Nylon bristles with grains of abrasive material. Use with caution in order not to mark the floor or ruin the finish.
BRISTLES THICKNESS	Thicker bristles are more rigid and must be used on smooth floor or floor with small joints. On irregular floors with deep joints or relieves, softer bristles penetrate more easily and deeper. Please be aware that when brush bristles are worn out they become rigid and unable to penetrate and clean deeper. This may also cause brush vibration with thicker bristles
PAD HOLDER	Pads are recommended to clean smooth surfaces. The pad holder has anchor points to retain the pad. It is important that the height of the pad holder with its pad is the same as the one of the brush.

MACHINE	PART NO.	QTY	DESCRIPTION	USE
BD 17/6	48903130	1	Brush PPL 0,9 Ø 430	Floors of resistant material and particularly dirty.
	48903150	1	Brush 5-mix Ø 430	For all types of floors.
	48803050	1	Pad holder Ø 425 + center lock green	For pads of 17", for smooth surfaces cleaning.

Warranty Registration Form

Please provide additional information on
Tornado equipment: (Check choices below)

- | | |
|---|---|
| <input type="checkbox"/> Automatic Scrubbers | <input type="checkbox"/> Sweepers |
| <input type="checkbox"/> Propane Floor Machines | <input type="checkbox"/> Rotary Floor Machine |
| <input type="checkbox"/> High Speed Burnishers | <input type="checkbox"/> Carpet Vacuums |
| <input type="checkbox"/> Carpet Extractors & Spotters | <input type="checkbox"/> Wet/Dry Vacs |
| <input type="checkbox"/> Steam Cleaners | <input type="checkbox"/> Jumbo Vacs |
| <input type="checkbox"/> Ride-On Equipment | <input type="checkbox"/> Pressure Washers |

See complete product info at www.tornadovac.com

Selling Dealer: (Required) _____

Please Print Clearly

Company/Institution	
Contact Name	Title
Address	City/State/Zip Code
Phone	Fax
Date of Purchase	Email

See white metal plate or sticker on unit for this information.

MACHINE TYPE/MODEL NUMBER:	MACHINE SERIAL NUMBER:
1. _____	1. _____
2. _____	2. _____
3. _____	3. _____
4. _____	4. _____

Facility Description (please circle all that apply)

1. School	9. Hospital	17. U.S. Govt.
2. Retail Store	10. Nursing Home	18. Other Govt.
3. Restaurant	11. Religious Institution	19. Auto Service
4. Office Building	12. Airport	20. Airport
5. Contract Cleaning	13. Warehouse	21. Non-Profit
6. Light Manufacturing	14. Apartment/Condo	22. Other (specify)
7. Heavy Manufacturing	15. Warehouse	
8. College/University	16. Supermarket	

How did you first learn about Tornado cleaning and maintenance equipment?	In square feet (meters)	
	Total Hard Floor Area	Total Carpeted Area Square feet (square meters)
<ul style="list-style-type: none"> <input type="radio"/> Contacted by local dealer <input type="radio"/> Previous experience with Tornado products <input type="radio"/> Reputation/ Recommendation <input type="radio"/> Advertising <input type="radio"/> Direct mail <input type="radio"/> Internet <input type="radio"/> Other 	<ul style="list-style-type: none"> <input type="radio"/> 0-10,000 (0-930) <input type="radio"/> 10-50,000 (930-4,650) <input type="radio"/> 50-250,000 (4,650-23,250) <input type="radio"/> Over 250,000 (over 23,260) 	<ul style="list-style-type: none"> <input type="radio"/> 0-10,000 (0-930) <input type="radio"/> 10-50,000 (930-4,650) <input type="radio"/> 50-250,000 (4,650-23,250) <input type="radio"/> Over 250,000 (over 23,260)

Damage or defect arising from abuse, neglect or other misuse is excluded from this warranty. Other items may or may not apply based on your specific machine. If any defect occurs, the warranty is voided if service is attempted by non-Authorized Tornado Service Centers.

Return to :
Tornado Industries
3101 Wichita Court
Fort Worth, TX 76140
Fax: 817-551-0719
or online at
www.tornadovac.com



ÍNDICE

LEYENDA TABLERO DE INSTRUMENTOS Y MANDOS	18
LEYENDA MÁQUINA	18
DESCRIPCIÓN TÉCNICA	19
ADVERTENCIA	20
NORMAS GENERALES DE SEGURIDAD	20
SIMBOLOGÍA	20
PRIMA ANTES DEL EMPLEO	21
Movimiento máquina embalada	21
Desembalaje de la máquina	21
Movimiento del timón	21
Conexión baterías	21
Recarga de las baterías	21
Eliminación de las baterías	21
Depósito de recuperación	21
Depósito de la solución detergente	21
LIMPIEZA DE LOS SUELOS	22
Accionamiento de la máquina	22
Rotación completa de la boquilla de secado	22
Secado en marcha atrás	22
Levantamiento de la boquilla de secado	22
Reglaje del timón	22
Dispositivo rebosadero	23
DETENCIÓN DE LA MÁQUINA AL FINAL DE LA LIMPIEZA	23
MANTENIMIENTO DIARIO	23
Limpieza depósito de recuperación	23
Vaciado y limpieza del depósito solución y del filtro	23
Limpieza del filtro de aspiración	23
Parque vertical de la máquina	23
Limpieza del cepillo	24
Desmontaje/montaje del cepillo	24
Limpieza de la boquilla de secado	24
MANTENIMIENTO ORDINARIA	24
Sustitución del labio trasero de la boquilla de secado	24
Sustitución del labio delantero de la boquilla de secado	24
CONTROL DE FUNCIONAMIENTO	24
El motor de aspiración no funciona	24
El motor del cepillo no funciona	25
El agua en el cepillo no es suficiente	25
La máquina no limpia bien	25
La boquilla de secado no seca perfectamente	25
Producción excesiva de espuma	25
Led (2), (3) y (4) se ponen de color rojo	25
MANTENIMIENTO PROGRAMADO	26
CEPILLOS ACONSEJADOS	26
GARANTÍA LIMITADA A LARGO PLAZO DE PROTECCIÓN AL COMPRADOR	27



Long Term Buyer Protection Limited Warranty

Tornado Industries, Inc. (Tornado) garantiza al consumidor final que los productos Tornado no tendrán defectos de materiales ni mano de obra durante el período indicado abajo. Esta garantía limitada NO cubre a las máquinas y/o componentes sujetos al desgaste normal, los daños ocasionados durante el envío, las fallas producidas por modificaciones, accidentes, entorno operativo inadecuado, mal uso, abuso, negligencia o mal mantenimiento por parte del usuario. Para más detalles, contáctese con su Distribuidor de Tornado Autorizado, el Centro de Reparaciones, o el Departamento de Servicio Técnico de Tornado. Los representantes de ventas y servicio técnico de Tornado no están autorizados a renunciar o alterar los términos de esta garantía, ni a incrementar las obligaciones de Tornado bajo esta garantía.

10 Años*

Tanques de agua plásticos y cuerpos moldeados en forma rotatoria

2 Años*

Piezas de todos los equipos de limpieza Tornado

1 Año*

Mano de obra de todos los equipos de limpieza Tornado

1 Año*

Garantía de baterías, un año prorrateado.

Todas las garantías de las baterías son manejadas directamente por el fabricante de las baterías, en base a un año prorrateado

Términos sujetos a cambios sin previo aviso.

1. Con excepción de los Ventiladores-Secadores Windshear™, de tiro lateral y descendente, Ventiladores de Aislamiento, CV 30, CV 38, CK14/1 PRO, CK 14/2 PRO, SWM31/9, CK LW 13/1, CK LW 13/1 ROAM, CV 38/48 Dual, PV6, PV10, PV6 ROAM, Wall Mount todas las Barredoras, Aspiradoras en Seco, y todos los cargadores tienen garantía por 1 (un) año tanto para sus piezas como para la mano de obra.
2. Todas las piezas no desgastadas compradas después del vencimiento de la garantía, tienen garantía por 90 días.
3. La garantía comienza a correr desde la fecha de venta al consumidor o, a discreción de Tornado, 6 meses después de que el vendedor compre la unidad a Tornado, lo que ocurra primero.
4. El artículo EB 30 tiene garantía por un período de 90 días tanto para sus piezas como para la mano de obra.
5. La garantía de los motores utilizados en equipos a propano se limita a la garantía de fábrica del motor.
6. Las fregadoras con conductor tienen garantía de 24 meses para sus piezas, 6 meses para la mano de obra o 1000 horas, lo que ocurra primero.

Nota: Tornado, The Latest Dirt, Floorkeeper, Carpetkeeper, Carpetrinser, Carpetrinser/Dryer, Headmaster, Taskforce, PAC-VAC, T-Lite, Glazer, Windshear, Max-Vac, y Trot-Mop son marcas registradas de Tornado Industries

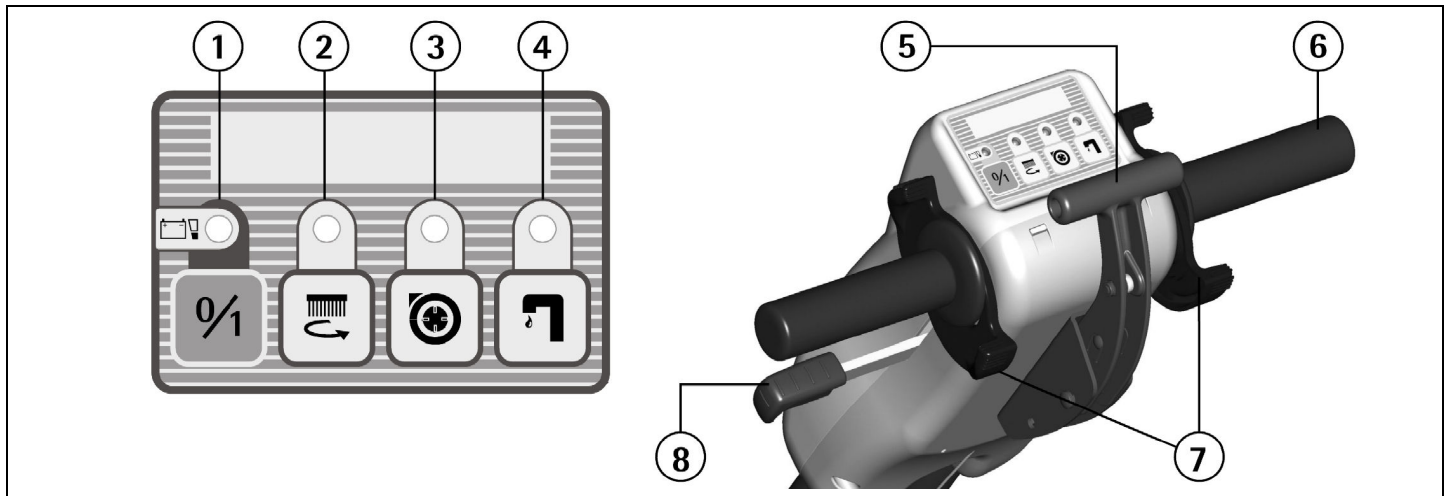
Sitio web: www.tornadovac.com
Teléfono 1.800.VACUUMS
Fax: 817-551-0719
Dirección: 3101 Wichita Court
Fort Worth, TX 76140



LEYENDA TABLERO DE INSTRUMENTOS Y MANDOS

1. INTERRUPTOR GENERAL Y TESTIGO
2. INTERRUPTOR MOTOR DEL CEPILLO Y TESTIGO
3. INTERRUPTOR MOTOR DE ASPIRACIÓN Y TESTIGO
4. INTERRUPTOR ELECTROVÁLVULA Y TESTIGO

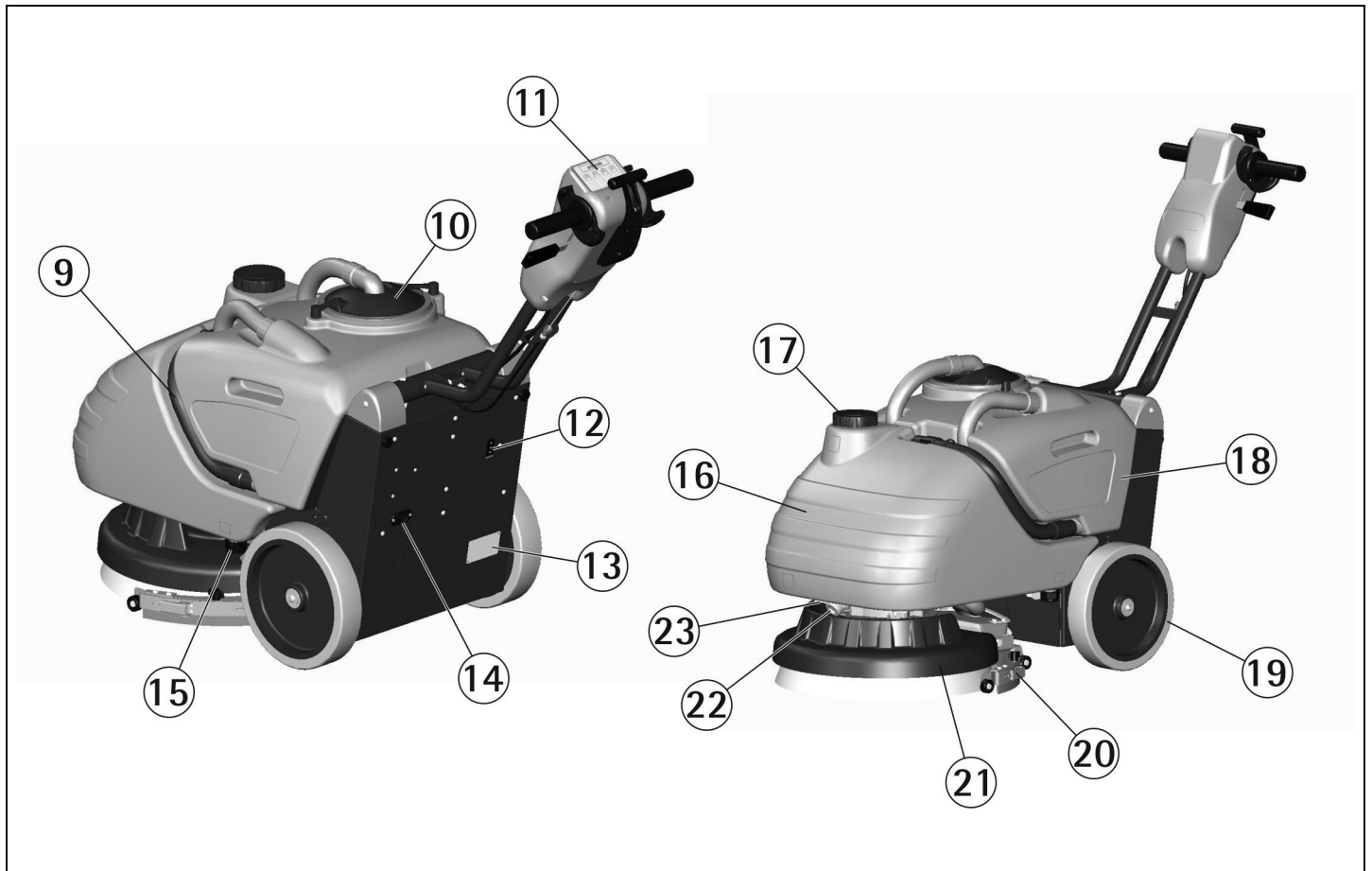
5. PALANCA ELEVADORA BOQUILLA DE SECADO
6. MANGOS DEL MANILLAR
7. MANETAS DE CONTROL INICIO/PARO
8. PALANCA DESBLOQUEO DEL TIMÓN



LEYENDA MÁQUINA

9. TUBO DE DESCARGA DEPÓSITO DE RECUPERACIÓN
10. TAPA ASPIRACIÓN
11. TABLERO DE INSTRUMENTOS
12. LED DE SEÑAL NIVEL CARGA DE LAS BATERÍAS (AGM)
13. PLACA MATRÍCULA
14. ENCHUFE DE ALIMENTACIÓN ELÉCTRICA CARGADOR BATERÍAS
15. TAPÓN DE VACIADO SOLUCIÓN DETERGENTE
16. DEPÓSITO DE SOLUCIÓN

17. TAPA DE LLENADO SOLUCIÓN DETERGENTE
18. DEPÓSITO DE RECUPERACIÓN
19. RUEDAS
20. GRUPO BOQUILLA DE SECADO
21. PROTECCIÓN
22. FILTRO SOLUCIÓN DETERGENTE
23. REGULADOR DE CAUDAL DE LA SOLUCIÓN DETERGENTE



DESCRIPCIÓN TÉCNICA		
Ancho de trabajo	mm/in	430/17
Ancho de la boquilla de secado	mm/in	510/20
Tensión de las baterías	V	24
Capacidad baterías	Ah _s	34
Potencia instalada	W/A	670/28
Rendimiento de trabajo (max)	m ² /h sqft/h	1505/11483
Diámetro del cepillo	mm/in	430/17
Velocidad giro del cepillo	rpm	190
Presión del cepillo	kg/lbs.	35/77
Depresión motor de aspiración	mbar/water lift	83/33
Tipo de avance		semi autom.
Desnivel máximo	%	2
Capacidad depósito de solución	l/gal	22/6
Capacidad depósito de recuperación	l/gal	22/6
Longitud máquina (min)	mm/in	793/31
Altura máquina	mm/in	603/24
Anchura máquina	mm/in	518/20
Peso máquina (en vacío con las baterías)	kg/lbs.	86,5/191
Peso baterías	kg/lbs.	30/66
Tiempo de recarga max	h	10
Hueco baterías (l x anch x alt)	mm/in	346 x 207 x 210/14 x 8,1 x 8,2
Nivel de presión acústico (en conformidad con EN604_01)	dB (A)	<70
Clase		III
Nivel de protección	IP	X3
Cargador de las baterías: tensión de la red	V ~	230
Cargador de las baterías: frecuencia de la red	Hz	50
Cargador de las baterías: clase		I

ADVERTENCIA

Les agradecemos por haber seleccionado nuestra máquina. Esta máquina fregadora se emplea en la limpieza industrial y civil para cualquier tipo de pavimentación, excluida la limpieza de moquetas. Durante su movimiento de avance, la acción combinada del cepillo y de la solución detergente, limpia la suciedad que se recoge con la boquilla de aspiración trasera dejando perfectamente seca la superficie.

La máquina ha de ser utilizada sólo para este fin. Se obtienen las mejores prestaciones si se emplea correctamente y se mantiene en plena eficacia. Rogamos por consiguiente leer cuidadosamente estas instrucciones y volver a leerlas cada vez que tengan dificultades.

En caso de necesidad, recordamos que nuestro servicio de asistencia queda siempre a su disposición para eventuales consejos o intervenciones directa.

NORMAS GENERALES DE SEGURIDAD

Las normas aquí abajo indicadas tienen que cumplirse cuidadosamente para evitar daños al operador y a la máquina.

- Leer cuidadosamente las etiquetas en la máquina, no cubrir las por ningún motivo y sustituirlas en seguida en caso de que fuesen dañadas.

- Tendrán que utilizar la máquina únicamente el personal autorizado y formado para el empleo.

- Durante el funcionamiento de la máquina hay que tener cuidado con las demás personas y especialmente con los niños.

- En presencia de los niños, hay que vigilar la máquina de manera que no ocurre que los demás jueguen con la misma.

- La máquina no es destinada al empleo de personas, niños incluidos, las cuales capacidades físicas, sensoriales o mentales sean reducidas, o bien con carencia de experiencia o de conocimiento, a menos que éstas hayan podido beneficiar, a través de la intermediación de una persona responsable de suyas seguridad, vigilancia o instrucciones concerniente el empleo.

- La toma de la red de alimentación tiene que ser equipada de conexión a tierra reglamentaria.

- Evitar dañar el cable de alimentación con plegados, aplastamientos o esfuerzos.

- No mezclar detergentes de tipo diferente para evitar la producción de gases nocivos.

- La temperatura de almacenamiento tiene que estar comprendida entre 32°F y 131°F (0°C y +55°C).

- Temperatura óptima de trabajo:

entre 32°F y 104°F (0°C y +40°C).

- La humedad no tiene que superar el 95%.

- No emplear la máquina en atmósfera explosiva.

- No emplear la máquina como vehículo de transporte.

- No subir o bajar las escaleras.

- No utilizar soluciones ácidas que podrían dañar la máquina y/o las personas.

- Evitar que el cepillo trabaje estando la máquina parada para no causar daños al suelo.

- No utilizar la máquina en superficies esparcidas de líquidos o polvos inflamables (por ejemplo hidrocarburos, cenizas o tiznes).

- En caso de incendio, emplear un extintor de polvo. No emplear agua.

- No chocar con estanterías o andamios donde hay peligro de caída de objetos.

- No utilizar la máquina sobre superficies con inclinación superior a la indicada en la placa.

- La máquina tiene que realizar las operaciones de lavado y secado al mismo tiempo. Operaciones de naturaleza diferente tendrán que ser realizadas en zonas prohibidas para el paso de personas no encargadas del trabajo y el operador tendrá que ponerse calzado adecuado.

- Hay que señalar las zonas de pavimento mojado con letreros para tal efecto.

- Cuando se observasen anomalías en el funcionamiento de la máquina, asegurarse que no

sean causadas por la falta de mantenimiento ordinaria. De no ser así, solicitar la intervención del centro de asistencia autorizado.

- En caso de sustitución de piezas, pedir los repuestos ORIGINALES a un concesionario y/o distribuidor autorizado.

- Emplear solamente cepillos ORIGINALES señalados en el párrafo "CEPILLOS ACONSEJADOS".

- Para cualquier intervención de limpieza y/o mantenimiento cortar el suministro eléctrico a la máquina.

- No quitar las protecciones que requieren el empleo de utensilios para ser sustituidas.

- No lavar la máquina con chorro de agua directa o a presión, o con sustancias corrosivas.

- Cada 200 horas de trabajo hacer controlar la máquina por un centro de asistencia autorizado.

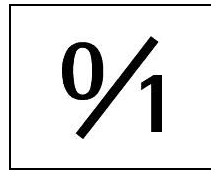
- Antes de utilizar la máquina, controlar que todas las tapas y las coberturas estén colocadas como se ha indicado en este manual de uso y mantenimiento.

- Restablecer todas las conexiones eléctricas después de haber efectuado cualquier intervención.

- Proceder a la eliminación de los materiales de consumo siguiendo las normas de ley vigentes.

- Cuando vuestra máquina deje de ser empleada, proceder al desmantelamiento apropiado de los materiales en la misma contenidos especialmente aceite y componentes electrónicos, y considerando que la máquina misma fue construida en medida de lo posible con materiales reciclados.

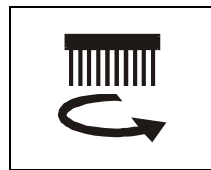
SIMBOLOGÍA



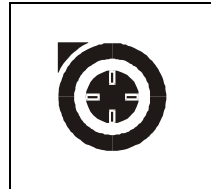
Símbolo 0/1 que indica el interruptor general y el testigo.



Símbolo del grifo. Indica el interruptor y el testigo de la electroválvula.



Símbolo del cepillo. Indica el interruptor y el testigo del motor del cepillo.



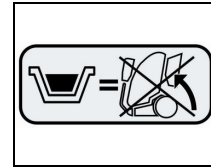
Símbolo del motor de aspiración. Indica el interruptor y el testigo del motor de aspiración.



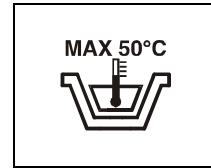
Indicador de nivel de carga de las baterías.



Indica la posición del tapón de descarga del depósito de la solución.



Símbolo que indica de vaciar los depósitos antes de volver a girar la máquina.



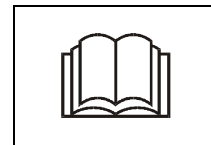
Símbolo que indica la temperatura máxima de la solución detergente.



Símbolo que indica el regulador de caudal de la solución detergente.



Símbolo del bidón listado. Indica que al final de su actividad, la máquina tendrá que ser eliminada en conformidad de la legislación vigente.



Símbolo del libro abierto. Indica al operador que debe leer el manual antes del uso de la máquina.



Símbolo de aviso. Leer con atención las secciones precedidas por este símbolo, para la seguridad del operador y de la máquina.

PRIMA ANTES DEL EMPLEO

MOVIMIENTO MÁQUINA EMBALADA

La máquina está contenida en un embalaje. El peso total es de 221 lbs. (100 kg) máx. Las dimensiones del embalaje son:

Base: 33"x22" (84,5cm x 57cm)
Altura: 33" (85 cm)

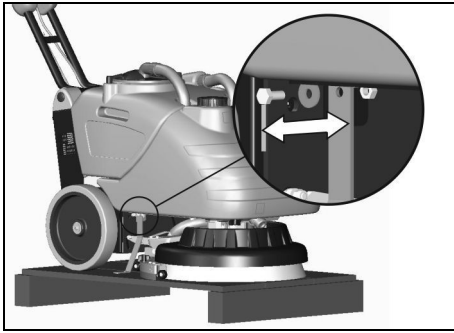


ATENCIÓN:

No se pueden remontar más de dos embalajes.

DESEMBALAJE DE LA MÁQUINA

1. Retirar el embalaje exterior.
2. Destornillar los dos tornillos que fijan los dos soportes fijador a la máquina.
3. Destornillar los tornillos que fijan los soportes fijador al pallet y remover los soportes.
4. Llevar el timón a la posición de trabajo (ver "MOVIMIENTO DEL TIMÓN") para bajar la máquina del pallet, empujar hacia adelante encima las ruedas en posición un poco inclinada hacia atrás para evitar choques fuertes en las partes mecánicas.
5. Guardar el embalaje para eventuales necesidades de transporte.



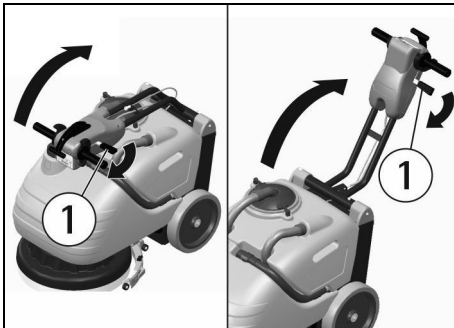
MOVIMIENTO DEL TIMÓN

El timón en el embalaje está en la posición cerrada sobre la máquina.

Para girar el timón a la posición de trabajo y para poder mover la máquina:

1. Actuar sobre la palanca de desbloqueo (1) presente cerca del manillar del timón.
2. Llevar el timón a la posición de trabajo manteniendo apretado la palanca de desbloqueo (1).
3. Volver a dejar la palanca de desbloqueo (1) para obtener el bloqueo del timón.

Agir de la misma manera para mayor reglaje de la altura del timón al fin de obtener la posición de trabajo más confortable.



CONEXIÓN BATERÍAS

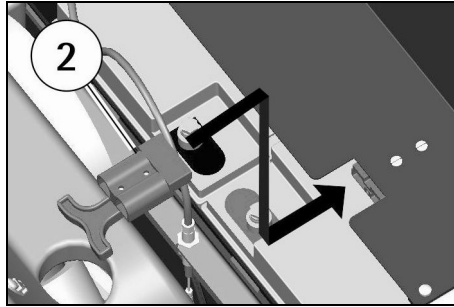
Normalmente, la máquina está equipada con dos baterías ya conectadas en serie, introducidas en el hueco para tal efecto debajo del depósito de recuperación.

En el caso de que haya necesidad de sustituir las baterías, dirigirse a un centro de asistencia técnica autorizado.

La sustitución tiene que ser realizada exclusivamente con baterías con rendimiento idéntico a aquellas ya colocadas, por lo tanto:

No. 2 baterías AGM 12V 34Ah.

Por medio del conector (2) es posible de conectar o desconectar las baterías.



RECARGA DE LAS BATERÍAS

La presencia de una etiqueta con la indicación "AGM" colocada sobre el bastidor posteriormente de la máquina, identifica la versión montada con baterías AGM y su cargador apropiado.

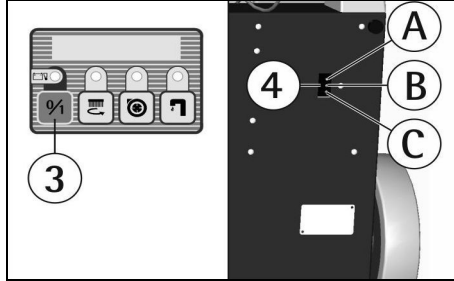
Con el interruptor general (3) encendido, en la parte trasera de la máquina se visualiza el nivel de carga de las baterías (4).

A: led verde encendido = baterías cargas.

B: led naranja encendido = baterías casi descargadas.

C: led rojo encendido = descarga completa de las baterías.

Cuando el led del cargador (C) se pone rojo, contemporáneamente se pone rojo también el led del interruptor general (3) con consiguiente apagamiento automático de todas las funciones de la máquina.



Durante las operaciones de recarga se activa un dispositivo que no permite el funcionamiento de la máquina.

Colocar la máquina en una superficie plana cerca de una toma monofásica.

Apagar el interruptor general (3).

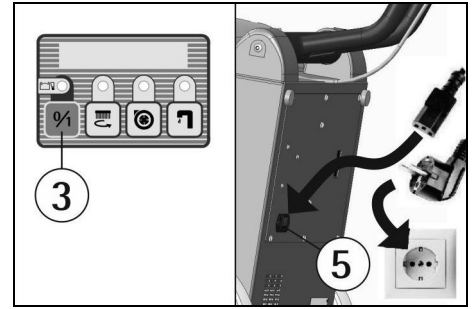
Conectar el cable de alimentación, suministrado con la máquina, tanto a la máquina (5) que a la red de alimentación como se indica en el gráfico.

Al final de la recarga, quitar el cable de alimentación. La fase de recarga está completa solo cuando sobre el cargador se enciende el led verde (A).



ATENCIÓN:

Para no causar daños permanentes a las baterías, es indispensable evitar la descarga completa de las mismas, efectuando inmediatamente la recarga. Además, en el caso de una parada por más de dos semanas de la máquina, desconectar el conector de las baterías (ver capítulo CONEXIÓN BATERÍAS).



ATENCIÓN:

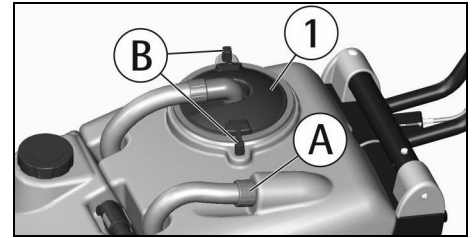
No cargar jamás las baterías con un cargador no adecuado. Seguir esmeradamente las instrucciones transmitidas del fabricante de las baterías y del cargador.

ELIMINACIÓN DE LAS BATERÍAS

Es obligatorio entregar las baterías agotadas, que son clasificadas como residuos peligrosos, a un ente autorizado en conformidad con la legislación vigente para la eliminación.

DEPÓSITO DE RECUPERACIÓN

Controlar que la tapa del filtro de aspiración (1) esté correctamente bloqueada, después de haber girado las palancas (B). Comprobar además que el tubo de la boquilla de secado esté correctamente introducido en su alojamiento (A).



DEPÓSITO DE LA SOLUCIÓN DETERGENTE

La capacidad del depósito de la solución está indicada en la ficha técnica.

Abrir el tapón roscado (6) que se encuentra en la parte superior y llenar el depósito de la solución con agua limpia, con una temperatura no superior a 122°F (50°C). Añadir el detergente líquido en la concentración y con las modalidades previstas por el fabricante. Para evitar la formación de una cantidad excesiva de espuma que podría dañar el motor de aspiración, emplear una cantidad mínima de detergente. Enroscar el tapón del depósito de la solución.



ATENCIÓN:

Hay que emplear siempre detergente de espuma controlada. Para evitar con seguridad la producción de espuma, antes de empezar el trabajo introducir en el depósito de recuperación una cantidad mínima de líquido antiespuma.

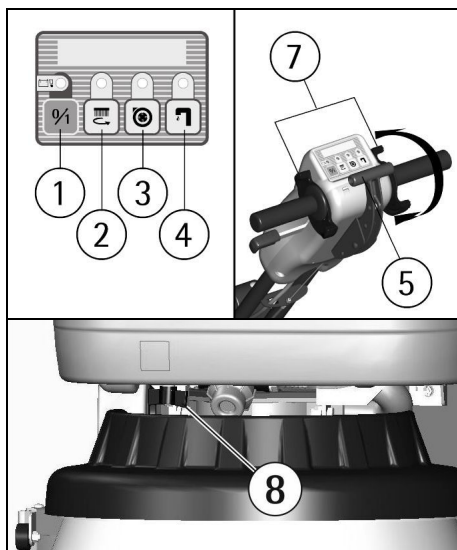
No emplear ácidos en estado puro.

LIMPIEZA DE LOS SUELOS

ACCIONAMIENTO DE LA MAQUINA

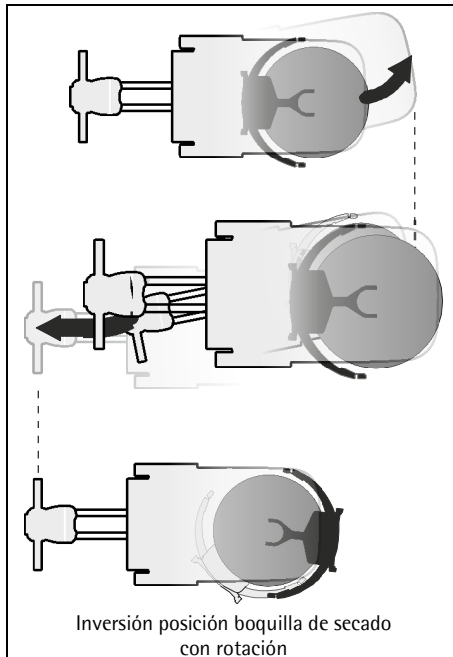
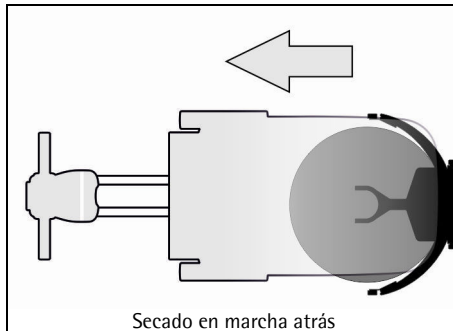
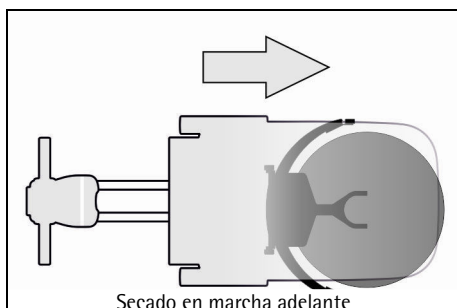
Los pulsadores encima el tablero de control están dotados de un testigo verde superior que señala la activación del mando.

1. Encender la máquina apretando el interruptor general (1).
2. Controlar el estado de la carga de las baterías (ver "RECARGA DE LAS BATERÍAS").
3. Bajar la boquilla de secado girando hacia abajo la palanca (5) puesta al centro del timón.
4. Accionar el interruptor del motor cepillo (2).
5. Accionar el interruptor del motor de aspiración (3).
6. Accionar el interruptor de la electroválvula (4). La máquina está equipada de electroválvula, por lo tanto el caudal de la solución detergente será accionado automáticamente actuando las manetas de inicio/paro (7). Volviendo a dejar las manetas de inicio/paro, el caudal se interrumpirá automáticamente.
7. Poniendo en funcionamiento las manetas inicio/paro (7) el cepillo empezará a girar. El caudal de la solución detergente empezará a fluir y la boquilla de secado empezará a aspirar.
8. Durante los primeros metros (feet) se debe controlar que el caudal de la solución detergente sea adecuado. El regulador de caudal de la solución detergente ya está tarado de la fábrica para satisfacer la limpieza por la mayor parte de los suelos. Si es necesario modificar la cantidad de la solución detergente en el suelo, actuar sobre la palanca del regulador de caudal (8).



ROTACIÓN COMPLETA DE LA BOQUILLA DE SECADO

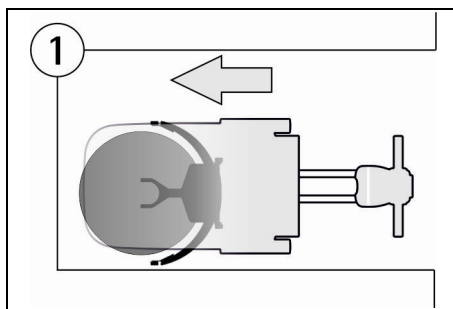
Con esta máquina es posible lavar y secar tanto en marcha adelante como en marcha atrás gracias a la rotación completa de la boquilla de secado. Siguiendo el recorrido indicado en los gráficos se simplifica la inversión de la posición de la boquilla de secado permitiendo el secado también en marcha atrás.



SECADO EN MARCHA ATRÁS

Con la boquilla de secado posicionada en la parte delantera de la máquina es posible lavar y secar donde con la boquilla de secado tradicional no se lograría. En seguida algunos ejemplos como utilizar las funciones de completa rotación de la boquilla de secado.

Lavar la superficie interesada (1).

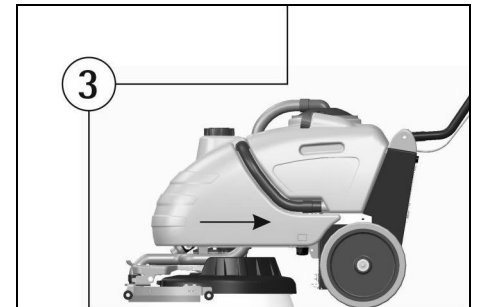
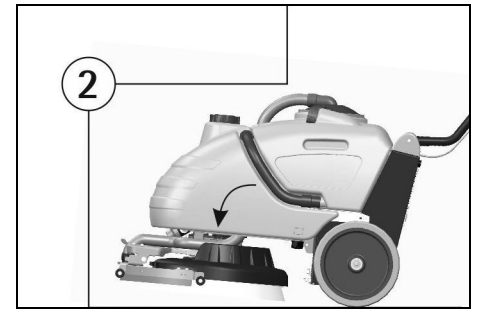


Volver a girar la boquilla de secado hacia la derecha o hacia la izquierda (ver capítulo "ROTACIÓN COMPLETA DE LA BOQUILLA DE SECADO") para llevarla delante.

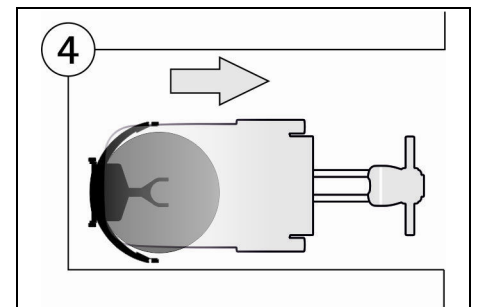
Levantar ligeramente la máquina (2) y reubicarse sobre la superficie de secar (3).

⚠ ATENCIÓN:

Cuando se levanta la máquina, volver a dejar las palancas presencia hombre de manera que se pare la rotación del cepillo y evitar por lo tanto la proyección de salpicaduras de agua.

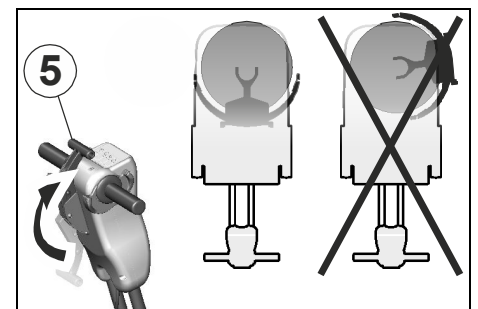


Proceder en marcha atrás para secar la superficie apenas lavada (4).



LEVANTAMIENTO DE LA BOQUILLA DE SECADO

Para levantar la boquilla de secado volver a girar hacia arriba la palanca (5) puesta en el centro del timón.



Se puede levantar la boquilla de secado cuando esta se encuentra en proximidad del punto central.

Si la boquilla de secado no se encuentra en proximidad del punto central, aunque abriendo la palanca (5) esta no se levantará.

⚠ ATENCIÓN:

En fase de trabajo la palanca de levantamiento de la boquilla de secado tiene que estar en la posición baja.

REGLAJE DEL TIMÓN

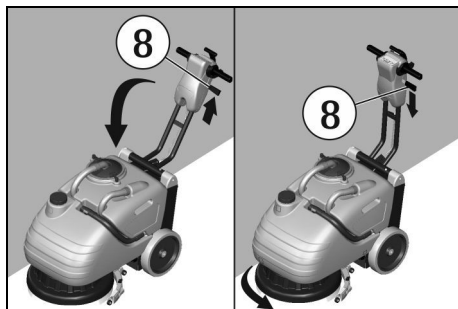
En proximidad de obstáculos o paredes se puede simplificar la maniobra de la máquina regulando el timón con una posición de la empuñadura más vertical con respecto a la máquina.

Para girar el timón:

1. Actuar sobre la palanca de desbloqueo (8) presente cerca de la empuñadura del timón.
2. Girar el timón en la nueva posición de trabajo manteniendo apretada la palanca de desbloqueo (8).
3. Volver a dejar la palanca de desbloqueo (8) para obtener el bloqueo del timón.

Una vez superado el obstáculo y completada la manobra repetir la operación para volver a la posición de trabajo precedente.

También es posible hacer esta operación con la máquina en movimiento manteniendo apretado a la vez la maneta de inicio/paro.



DISPOSITIVO REBOSADERO

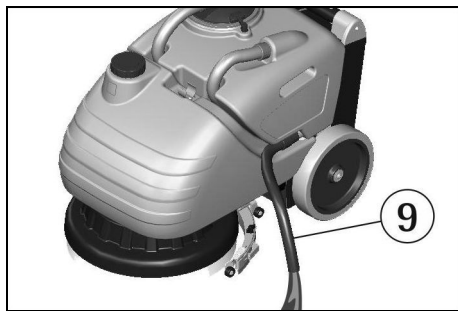
A fin de evitar daños serios al motor de aspiración, la máquina está equipada de un flotador que actúa cuando el depósito de recuperación está lleno causando el cierre del tubo de aspiración y por lo tanto de la aspiración.

En este caso hay que vaciar el depósito de recuperación.

1. Empuñar el tubo de descarga (9) del depósito de recuperación.
2. Quitar el tapón del tubo de descarga y vaciar el depósito de recuperación en tinas previstas, en contemplación de las normas vigentes en cuanto concierne la liquidación de los líquidos.

⚠ ATENCIÓN:

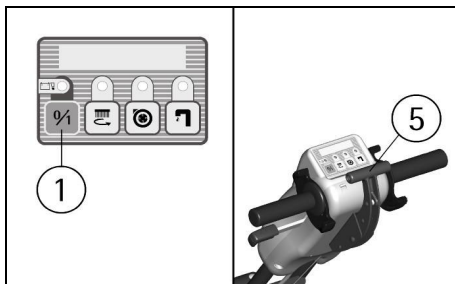
Esta operación tiene que ser realizada llevando guantes para protegerse del contacto con soluciones peligrosas.



DETENCIÓN DE LA MÁQUINA AL FINAL DE LA LIMPIEZA

Antes de ejecutar cualquier tipo de mantenimiento:

1. Apagar el interruptor general (1).
2. Levantar la boquilla de secado girando hacia arriba el manillar (5) puesto en el centro del timón (ver capítulo "LEVANTAMIENTO DE LA BOQUILLA DE SECADO").
3. Llevar la máquina hasta el lugar previsto para la descarga del agua.



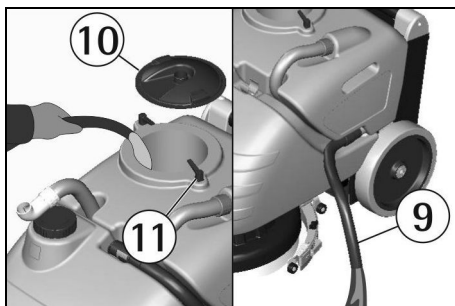
⚠ ATENCIÓN:

La máquina no está equipada de freno de estacionamiento por lo tanto no hay que dejarla en planos inclinados.

MANTENIMIENTO DIARIO

LIMPIEZA DEPÓSITO DE RECUPERACIÓN

1. Empuñar el tubo de descarga (9) del depósito de recuperación.
2. Sacar el tapón del tubo de descarga y vaciar el depósito de recuperación en las tinas previstas (ver "DISPOSITIVO REBOSADERO").
3. Quitar el tapón de aspiración (10) después de haber girado las palancas (11) que lo fijan.
4. Vaciar el depósito utilizando el tubo apropiado (9).
5. Enjuagar el depósito con un chorro de agua.



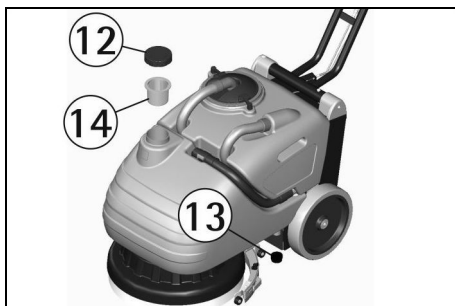
⚠ ATENCIÓN:

Esta operación ha de ser realizada llevando guantes para protegerse del contacto con soluciones peligrosas.

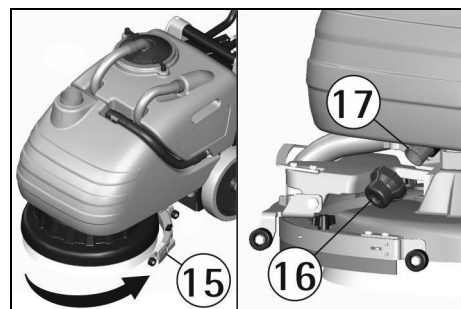
VACIADO Y LIMPIEZA DEL DEPÓSITO SOLUCIÓN Y DEL FILTRO

Para descargar la solución detergente restante en el depósito de la solución:

1. Llevar la máquina hasta el lugar previsto para la descarga del agua.
2. Apagar la máquina con el interruptor general.
3. Desenroscar la tapa de carga (12) del depósito solución y quitar el filtro (14).
4. Desenroscar el tapón de descarga (13) colocado inferiormente en el lado izquierdo de la máquina y esperar que toda la solución detergente esté descargada.



5. Volver a girar manualmente la boquilla de secado (15) hacia la parte delantera de la máquina de manera de haber acceso libre al filtro (16).
6. Desenroscar la tapa del filtro (16), remover el cartucho (17) y enjuagarlo con un chorro de agua.
7. Volver a montar todo.

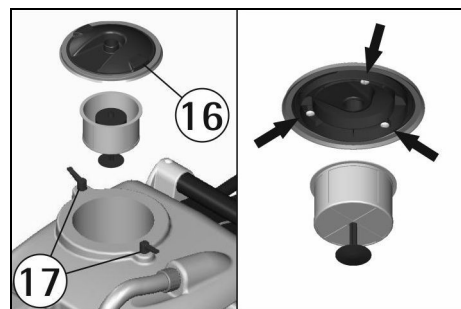


⚠ ATENCIÓN:

Esta operación tiene que ser realizada llevando guantes para protegerse del contacto con soluciones peligrosas.

LIMPIEZA DEL FILTRO DE ASPIRACIÓN

1. Quitar el tapón de aspiración (16) después de haber girado las palancas (17) que lo fijan.
2. Quitar el filtro con el flotador haciendo flexionar el borde del filtro para liberarlo de los tornillos presentes sobre la tapa.
3. Limpiar todo con un chorro de agua especialmente las paredes y el fondo del filtro.
4. Realizar las operaciones de limpieza de manera esmerada.
5. Volver a montar todo.



PARQUE VERTICAL DE LA MÁQUINA

La máquina puede asumir una posición vertical volcada en su parte posterior después de haber plegado el timón encima la máquina.

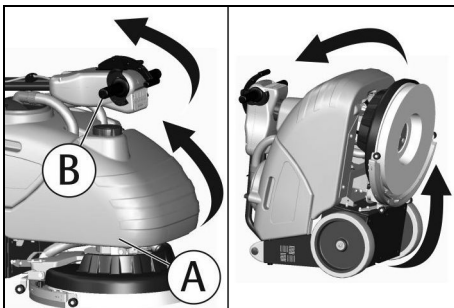
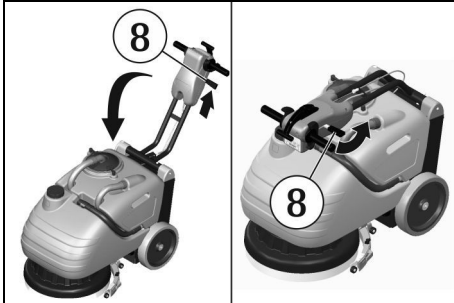
Esta posición permite un estorbo menor por el parque de la máquina y simplifica las operaciones de mantenimiento de la misma.

Para voltear la máquina hay que:

1. Apagar el interruptor general.
2. Controlar que los dos depósitos estén vacíos y en el caso proceder a vaciarlos (ver capítulo "VACIADO Y LIMPIEZA DEPÓSITO DE RECUPERACIÓN" y "VACIADO Y LIMPIEZA DEL DEPÓSITO SOLUCIÓN").
3. Actuar sobre la palanca de desbloqueo (8) presente cerca de la empuñadura del timón.
4. Girar el timón volviendo a doblarlo hacia los depósitos manteniendo apretada la palanca de desbloqueo (8).
5. Volver a dejar la palanca de desbloqueo (8) para obtener el bloqueo del timón.
6. Empuñar la máquina con ambas manos en el punto (A) del borde depósito y (B) de la empuñadura del timón indicados en el gráfico.
7. Levantar la parte delantera de la máquina haciéndola girar sobre las ruedas traseras llevándola a la posición vertical como en el dibujo.

**ATENCIÓN:**

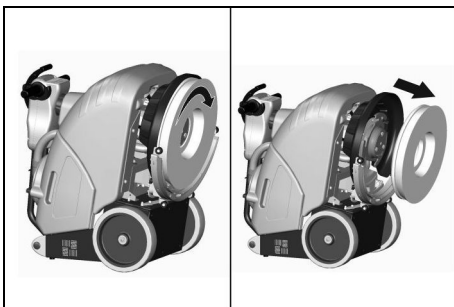
La posición de parque vertical se indica cuando se prevee que no se utilizará la máquina por un período superior a 2/3 días, para evitar que el peso de la máquina pueda con el tiempo dañar el cepillo comprometiendo por lo tanto el correcto funcionamiento de la máquina.

**LIMPIEZA DEL CEPILLO**

Desmontar el cepillo y limpiarlo con un chorro de agua (para el desmontaje del cepillo ver en seguida "DESMONTAJE/MONTAJE DEL CEPILLO").

DESMONTAJE/MONTAJE DEL CEPILLO

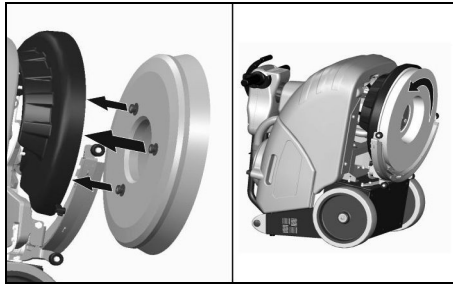
1. Volcar la máquina en su parte posterior (ver capítulo "PARQUE VERTICAL DE LA MÁQUINA") teniendo cuidado de acordarse de apagar el interruptor general y vaciar los depósitos.
2. Con la máquina en esta posición girar el cepillo en el sentido horario para que salga del hueco del plato portacepillo, como se indica en el dibujo.



3. Para volver a montar el cepillo introducir los botones de enganche presentes sobre el cepillo en los huecos del plato portacepillo y girar en el sentido antihorario hasta lograr el bloqueo. Se puede además probar otros modelos de cepillos en función del tipo de suelo a limpiar y de las condiciones de la suciedad que se encuentre (ver capítulo "CEPILLOS ACONSEJADOS").

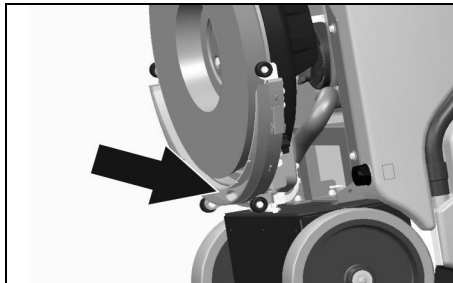
**ATENCIÓN:**

Las operaciones de la manipulación del cepillo tienen que ser realizadas llevando guantes aptos para protegerse tanto mecánicamente del contacto de las cerdas como por el riesgo químico del contacto con soluciones peligrosas.

**LIMPIEZA DE LA BOQUILLA DE SECADO**

Mantener la boquilla de secado limpia es garantía de un mejor secado.

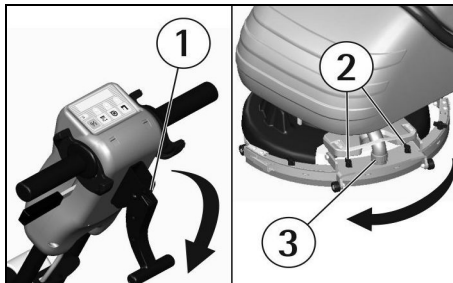
1. Volcar la máquina en su parte posterior (ver capítulo "PARQUE VERTICAL DE LA MÁQUINA") teniendo cuidado de acordarse de apagar el interruptor general y de vaciar los depósitos.
2. Con la máquina en esta posición limpiar esmeradamente el interior del empalme sobre la boquilla de secado eliminando la eventual suciedad depositada. Limpiar esmeradamente los labios de aspiración.

**MANTENIMIENTO ORDINARIA****SUSTITUCIÓN DEL LABIO TRASERO DE LA BOQUILLA DE SECADO**

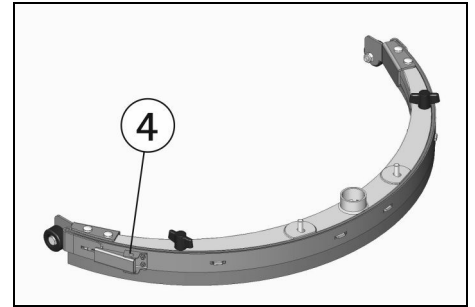
Controlar el estado de desgaste del labio de secado y eventualmente girarlo o sustituirlo.

Para la sustitución es necesario:

1. Bajar la boquilla de secado girando hacia abajo la palanca (1) puesta al centro del timón.
2. Volver a girar hacia el exterior la boquilla de secado.
3. Con la boquilla de secado en esta posición actuar sobre las mariposas (2) destornillándolas completamente para liberar la boquilla de secado.
4. Soltar el manguito (3) del tubo de la boquilla de secado y quitar la boquilla de secado.



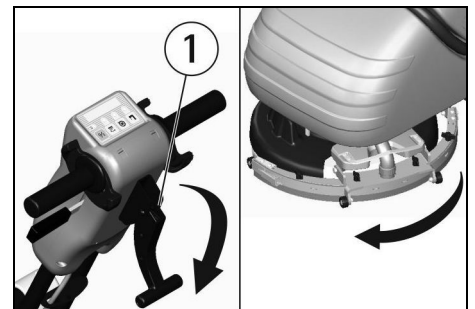
5. Desenganchar el cierre (4) del listón fijador del labio y sacar el labio para girarlo o para sustituirlo.
6. Controlar que el manguito y el tubo de la boquilla de secado no estén obstruidos y eventualmente eliminar la suciedad. Para volver a montar la boquilla de secado repetir en orden inverso las operaciones arriba descritas.

**SUSTITUCIÓN DEL LABIO DELANTERO DE LA BOQUILLA DE SECADO**

Controlar el estado de desgaste del labio delantero de la boquilla y eventualmente sustituirlo.

Para la sustitución es necesario:

1. Bajar la boquilla de secado girando hacia abajo la palanca (1) puesta al centro del timón.
2. Volver a girar hacia el exterior la boquilla de secado.

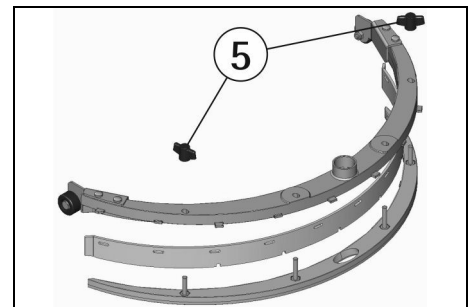


3. Con la boquilla de secado en esta posición proceder a desmontarla y después el labio trasero de la boquilla de secado (ver capítulo "SUSTITUCIÓN DEL LABIO TRASERO DE LA BOQUILLA DE SECADO").

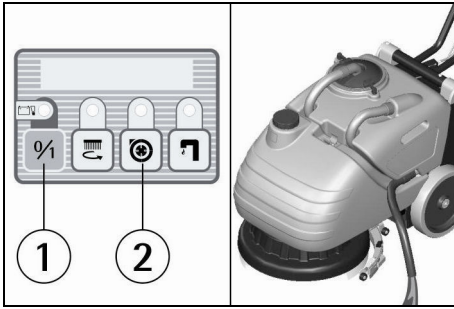
4. Quitar las mariposas (5) colocadas en la parte superior del cuerpo de la boquilla de secado separando luego las dos partes metálicas que lo componen para quitar el labio delantero.

5. Enjuagar con un chorro de agua todos los componentes.

Para volver a montar la boquilla de secado repetir en orden inverso las operaciones arriba descritas.

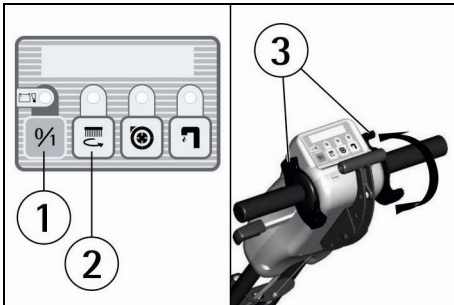
**CONTROL DE FUNCIONAMIENTO****EL MOTOR DE ASPIRACIÓN NO FUNCIONA**

1. Controlar el estado de carga de las baterías, que es visible accionando primero el interruptor general (1) (ver capítulo "RECARGA DE LAS BATERÍAS").
2. Comprobar que el interruptor del motor de aspiración (2) esté activado verificando que el testigo correspondiente verde esté encendido.
3. Controlar el nivel en el depósito de recuperación (ver capítulo "DISPOSITIVO REBOSADERO") y si necesario, vaciar el depósito. Si el desperfecto continúa, contactar con el centro de asistencia técnica autorizado.



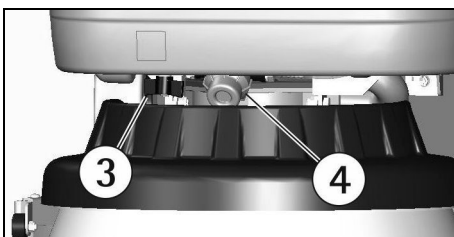
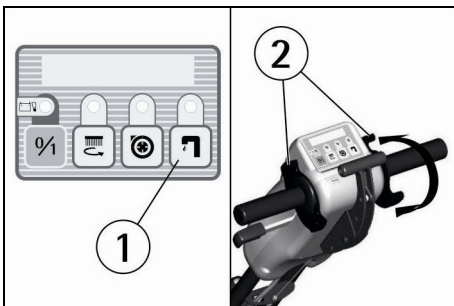
EL MOTOR DEL CEPILLO NO FUNCIONA

1. Controlar el estado de carga de las baterías, que es visible accionando primero el interruptor general (1) (ver capítulo "RECARGA DE LAS BATERÍAS").
 2. Comprobar que el interruptor del motor del cepillo (2) esté activado verificando que el testigo relativo verde esté encendido.
 3. Accionar las manetas inicio/paro (3).
- Si el desperfecto continua, contactar con el centro de asistencia técnica autorizado.



EL AGUA EN EL CEPILLO NO ES SUFICIENTE

1. Comprobar que el interruptor de la electroválvula (1) esté activado verificando que el testigo relativo verde esté encendido.
 2. Controlar el nivel del líquido en el depósito solución (ver capítulo "DEPÓSITO DE LA SOLUCIÓN DETERGENTE").
 3. Comprobar que el regulador de caudal de la solución detergente (3) puesto anteriormente debajo del depósito solución esté suficientemente abierto.
 4. Accionar las manetas inicio/paro (2).
 5. Comprobar que el filtro solución (4) esté limpio.
- Si el desperfecto continua, contactar con el centro de asistencia técnica autorizado.



LA MÁQUINA NO LIMPIA BIEN

1. El cepillo no tiene las cerdas de la dimensión apropiada: utilizar solamente cepillos originales. Para

una sugerencia, contactar el centro de asistencia técnica autorizado.

2. La solución detergente no es suficiente: abrir más el regulador de caudal de la solución detergente (3).
3. Controlar que el detergente esté en el porcentaje aconsejado.

Consultar el centro de asistencia técnica autorizado para una sugerencia.

LA BOQUILLA DE SECADO NO SECA PERFECTAMENTE

1. Controlar que los labios de la boquilla de secado estén limpios.
2. Controlar que el manguito del tubo de aspiración esté conectado correctamente en su alojamiento sobre el depósito de recuperación y sobre la boquilla de secado.
3. Intervenir sobre el filtro de aspiración limpiándolo.
4. Sustituir los labios si gastados.
5. Controlar que el interruptor del motor de aspiración esté encendido.
6. Controlar el nivel en el depósito de recuperación (ver capítulo "DISPOSITIVO REBOSADERO") y si necesario, vaciar el depósito.

PRODUCCIÓN EXCESIVA DE ESPUMA

Controlar que se haya empleado un detergente de espuma controlada. Eventualmente añadir una mínima cantidad de líquido antiespumante en el depósito de recuperación.

Hay que tener en cuenta que hay una mayor producción de espuma cuando el suelo está poco sucio. En este caso diluir aún más la solución detergente.

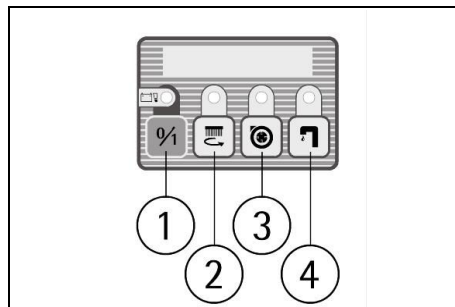
LED (2), (3) Y (4) SE PONEN DE COLOR ROJO

Si la máquina está en orden de marcha, con el interruptor general (1) encendido verde y uno de los tres led (2), (3) o (4) cambia color, de verde a rojo, significa que es en curso una protección amperiométrica, por ejemplo:

- LED (2) ROJO: el motor del cepillo está habiendo un esfuerzo tan grande.
- LED (3) ROJO: el motor de aspiración está apirando agua y por lo tanto está forzando mucho.
- LED (4) ROJO: la bobina de la electroválvula puede ser en cortocircuito.

Para restablecer, apagar el interruptor general (1), esperar unos minutos y después encender otra vez.

Si el desperfecto continua, contactar con el centro de asistencia técnica autorizado.



MANTENIMIENTO PROGRAMADO

INTERVENCIÓN	DIARIA	SEMANAL	ORDINARIO/MENSUALMENTE
LIMPIEZA DEPÓSITO DE RECUPERACIÓN	•		
LIMPIEZA FILTRO DE ASPIRACIÓN	•		
LIMPIEZA DEL CEPILLO	•		
DESMONTAJE DEL CEPILLO	•		
LIMPIEZA DE LA BOQUILLA DE SECADO	•		
SUSTITUCIÓN DEL LABIO DELANTERO DE LA BOQUILLA DE SECADO			• si necesario
SUSTITUCIÓN DEL LABIO TRASERO DE LA BOQUILLA DE SECADO			• si necesario
LIMPIEZA DEL TUBO DE LA BOQUILLA DE SECADO			•
LIMPIEZA DEL DEPÓSITO SOLUCIÓN			•
LIMPIEZA FILTRO SOLUCIÓN DETERGENTE		•	

CEPILLOS ACONSEJADOS

Los cepillos tienen que ser elegidos en función del tipo de suelo y de la suciedad que se lava. El material empleado y el diámetro de las cerdas son los elementos que diferencian los cepillos.

MATERIAL	CARACTERÍSTICAS
PPL (Polipropileno)	Buena resistencia al desgaste. Mantiene las características con agua caliente hasta 140°F (60°C). No es higroscópico.
TYNEX	Las cerdas están realizadas en nylon con la inserción de gránulos abrasivos. Emplear con cautela para no rayar el suelo o arruinar el lustre.
ESPESOR DE LAS CERDAS	Las cerdas de mayor espesor son más rígidas y por consiguiente hay que emplearlas sobre suelos lisos o con intervalos pequeños. Para suelos irregulares o con relieves o con intervalos hondos es aconsejable emplear cerdas más suaves que penetran más fácilmente en profundidad. Hay que tener en cuenta que cuando las cerdas del cepillo están desgastadas y por consiguiente demasiado cortas, se vuelven rígidas, ya no logran penetrar y limpiar en profundidad, pues como en caso de cerdas demasiado gruesas el cepillo tiende a saltar.
DISCO DE ARRASTRE	El disco de arrastre está equipado de una serie de puntas de ancla que permiten retener y arrastrar el disco abrasivo (pad) durante el trabajo. El disco abrasivo es aconsejado para superficies lisas.

MÁQUINA	CÓDIGO	CANTIDAD	DESCRIPCIÓN	EMPLEO
BD 17 6	48903120	1	Cepillo PPL 0,6 Ø 430mm/17"	Suelos lisos con juntas estrechas y suciedad persistente.
	48903130	1	Cepillo PPL 0,9 Ø 430mm/17"	Suelos en material resistente y particularmente sucios.
	48903140	1	Cepillo TYNEX Ø 430mm/17"	Suelos en material resistente y particularmente sucios.
	48903150	1	Cepillo 5-mix Ø 430mm/17"	Para cualquier tipo de suelo.
	48803020	1	Disco arrastre Ø 425mm/16.7"	Con pad de 17" para la limpieza de superficies lisas.
	48803050	1	Disco arrastre Ø 425mm/16.7" + center lock	Con pad de 17" para la limpieza de superficies lisas.
	48803060	1	Disco arrastre Ø 425mm/16.7" + center lock	Con pad de 17" para la limpieza de superficies lisas.

Formulario de Registro de Garantía

Por favor, suministre información adicional sobre Los equipos Tornado (marque las opciones de abajo)

Fregadoras Automáticas
 Máquinas para pisos a propano
 Pulidoras de Alta Velocidad
 Extractores y Limpiadores de alfombras
 Limpiadoras a vapor
 Equipos con conductor

Barredoras
 Máquina para piso giratoria
 Aspiradoras de alfombras
 Aspiradoras en Seco/Húmedo
 Aspiradoras grandes
 Lavadoras a presión

Vea la información completa de los productos en www.tornadovac.com

Agente de Venta: (Obligatorio) _____

Por favor, completar en letra de imprenta clara

Compañía/Institución	
Nombre del contacto	Cargo
Dirección	Ciudad/Estado/Código Postal
Teléfono	Fax
Fecha de compra	Email

Ver la información en placa de metal o etiqueta blanca de la unidad	
TIPO DE MÁQUINA/NÚMERO DE MODELO:	NÚMERO DE SERIE DE LA MÁQUINA:
1.	1.
2.	2.
3.	3.
4.	4.

Descripción de las Instalaciones (por favor, marque con un círculo todas las que correspondan)

- | | | |
|-------------------------|-----------------------------|--|
| 1. Escuela | 9. Hospital | 17. Oficinas del gobierno estadounidense |
| 2. Tienda minorista | 10. Residencia geriátrica | 18. Otras dependencias del gobierno |
| 3. Restaurant | 11. Institución religiosa | 19. Auto-servicio |
| 4. Edificio de oficinas | 12. Aeropuerto | 20. Aeropuerto |
| 5. Servicio de limpieza | 13. Depósito | 21. ONG |
| 6. Fabricación liviana | 14. Departamento/Condominio | 22. Otra (especificar) |
| 7. Fabricación pesada | 15. Depósito | |
| 8. Facultad/Universidad | 16. Supermercado | |

¿Cómo conoció los equipos de mantenimiento y limpieza Tornado?	En pies cuadrados (metros)	
	Superficie total de pisos duros	Superficie total alfombrada Pies cuadrados (metros cuadrados)
<input type="checkbox"/> Me contactó un agente local	<input type="checkbox"/> 0-10.000 (0-930)	<input type="checkbox"/> 0-10.000 (0-930)
<input type="checkbox"/> Ya tenía experiencia con los productos Tornado	<input type="checkbox"/> 10-50.000 (930-4.650)	<input type="checkbox"/> 10-50.000 (930-4.650)
<input type="checkbox"/> Reputación/Recomendación	<input type="checkbox"/> 50-250.000 (4.650-23.250)	<input type="checkbox"/> 50-250.000 (4.650-23.250)
<input type="checkbox"/> Publicidad	<input type="checkbox"/> Más de 250.000 (más de 23.250)	<input type="checkbox"/> Más de 250.000 (más de 23.250)
<input type="checkbox"/> Correo directo		
<input type="checkbox"/> Internet		
<input type="checkbox"/> Otra forma		

Sírvase devolver a:
 Tornado Industries
 3101 Wichita Court
 Fort Worth, TX 76140
 Fax: 817-551-0719
 o en línea en
www.tornadovac.com

Esta garantía no cubre los daños o defectos ocasionados por abuso, negligencia o mal uso. Dependiendo de su máquina específica, se podrán aplicar otros ítems. En caso de defectos, la garantía se anulará si intenta reparar la máquina en un Centro de Reparaciones de Tornado No Autorizado



SOMMAIRE

LEGENDE TABLEAU DE BORD ET CONTROLES	30
LEGENDE MACHINE	30
CARACTERISTIQUES TECHNIQUES	31
AVANT-PROPOS	32
NORMES GENERALES DE SECURITE	32
SYMBOLOGIE	32
AVANT DE L'UTILISATION	33
Déplacement de la machine emballée	33
Déballage de la machine	33
Mouvement du guidon	33
Connexion batteries	33
Recharge des batteries	33
Elimination des batteries	33
Réservoir de récupération	33
Réservoir de la solution détergente	33
NETTOYAGE DES SOLS	34
Actionnement de la machine	34
Rotation complète du suceur	34
Séchage en marche arrière	34
Relevage du suceur	34
Réglage du guidon	34
Dispositif trop plein	35
ARRET DE LA MACHINE A LA FIN DU NETTOYAGE	35
ENTRETIEN JOURNALIER	35
Nettoyage du réservoir de récupération	35
Vidange et nettoyage du réservoir de la solution et du filtre	35
Nettoyage du filtre d'aspiration	35
Positionnement vertical de la machine	35
Nettoyage de la brosse	36
Démontage/montage de la brosse	36
Nettoyage du suceur	36
ENTRETIEN ORDINAIRE	36
Remplacement de la bavette arrière du suceur	36
Remplacement de la bavette avant du suceur	36
CONTROLE DE FONCTIONNEMENT	36
Le moteur d'aspiration ne fonctionne pas	36
Le moteur de la brosse ne fonctionne pas	37
L'eau sur la brosse n'est pas suffisante	37
La machine ne nettoie pas bien	37
Le suceur ne sèche pas parfaitement	37
Production excessive de mousse	37
Led (2), (3) et (4) qui devient rouge	37
ENTRETIEN PROGRAMME	38
BROSSES CONSEILLEES	38
GARANTIE LIMITÉE DE LA PROTECTION À LONG TERME DE L'ACHETEUR	39



Garantie limitée à long terme pour la protection des achats

Tornado Industries, Inc (Tornado) garantit au client utilisateur final que les produits Tornado seront exempts de défauts de matériaux et de fabrication pour la durée décrite ci-dessous. Cette garantie limitée **NE** couvre **PAS** les machines et/ou les composants soumis à une usure normale, des dégâts qui se produisent en cours de transport, les défaillances résultant d'une modification, un accident, un environnement d'exploitation inapproprié, une mauvaise utilisation, l'abus, la négligence ou l'entretien inapproprié. Pour plus de détails, contactez votre distributeur agréé Tornado, le Centre de service, ou le Service technique Tornado. Les représentants de vente et du service Tornado ne sont pas autorisés de supprimer ou modifier les conditions de cette garantie, ou d'augmenter les obligations de Tornado en vertu de la garantie.

10 ans*

Les réservoirs d'eau en plastique et les pièces moulées pour rotation

2 ans*

Les pièces sur tous les équipements de nettoyage Tornado

1 an*

Le travail sur tous les équipements de nettoyage Tornado

1 an*

La garantie des batteries, un an au prorata.

Toutes les garanties de la batterie sont traitées directement par le fabricant de la batterie, sur une année au prorata

Les conditions sont sujettes à changement sans préavis.

1. Sauf toutes les ventilateur-sécheurs, de côté et descendant, les ventilateurs d'isolation, TV2 SS, CV 30, CV 38, CK14/1 PRO, CK14/2 PRO, SWM 31/9, CK LW 13/1, CK LW 13/1 ROAM, Double CV 38/48, PV6, PV10 PV6 ROAM, Wall Mount, de Windshear™, toutes les balayeuses-brosses, les aspirateurs à traineau sec, et tous les chargeurs sont garantis pendant 1 (un) an pour les pièces et le travail.
2. Tous les articles des pièces non-usures acheté après l'expiration de la garantie sont garantis pendant 90 jours.
3. La garantie commence à la date de la vente au consommateur ou, à la discrétion de Tornado, 6 mois après que le concessionnaire ait acheté l'appareil de Tornado, selon la première éventualité.
4. L'EB 30 est garanti pour une période de 90 jours pour les pièces et le travail
5. La garantie pour les moteurs utilisés sur les appareils au propane est limitée à la garantie du fabricant du moteur.
6. Les laveuses à conducteur porté sont garanties pour 24 mois pour les pièces, pour 6 mois de travail ou pour 1 000 heures, selon la première éventualité.

Note: Tornado, The Latest Dirt, Floorkeeper, Carpetkeeper, Carpetrinser, Carpetrinser/Dryer, Headmaster, Taskforce, PAC-VAC, T-Lite, Glazer, Windshear, Max-Vac, et Trot-Mop sont les marques de Tornado Industries

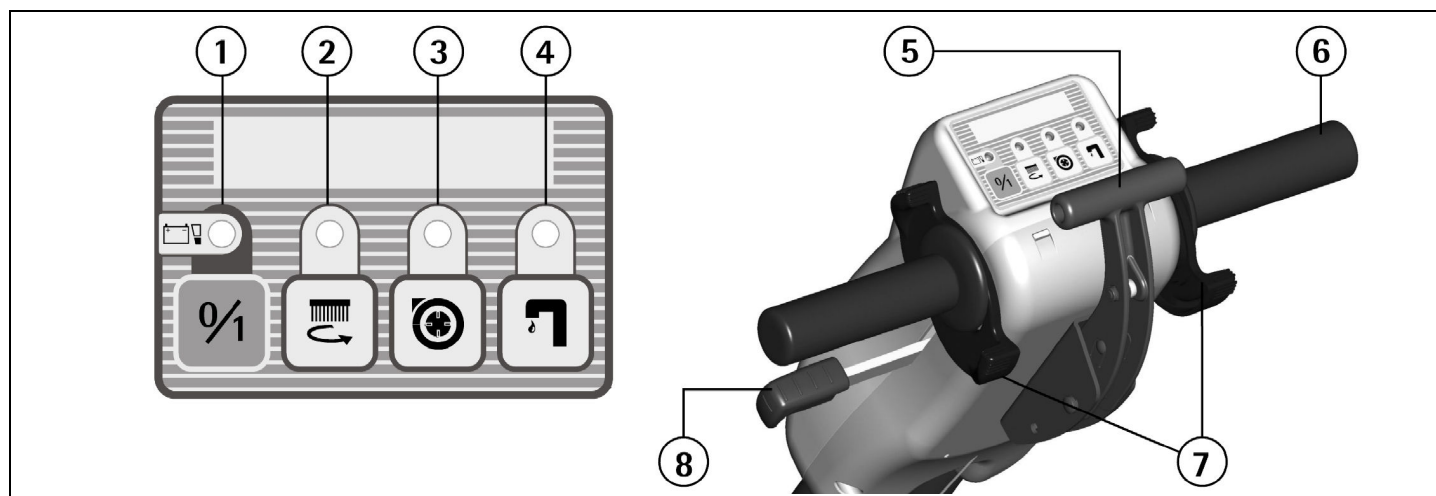
Site Web: www.tornadovac.com
Téléphone 1.800.VACUUMS
Télécopieur: 817-551-0719
Adresse: 3101 Wichita Court
Fort Worth, TX 76140

Formulaire F2662. © 2017. Tous droits réservés



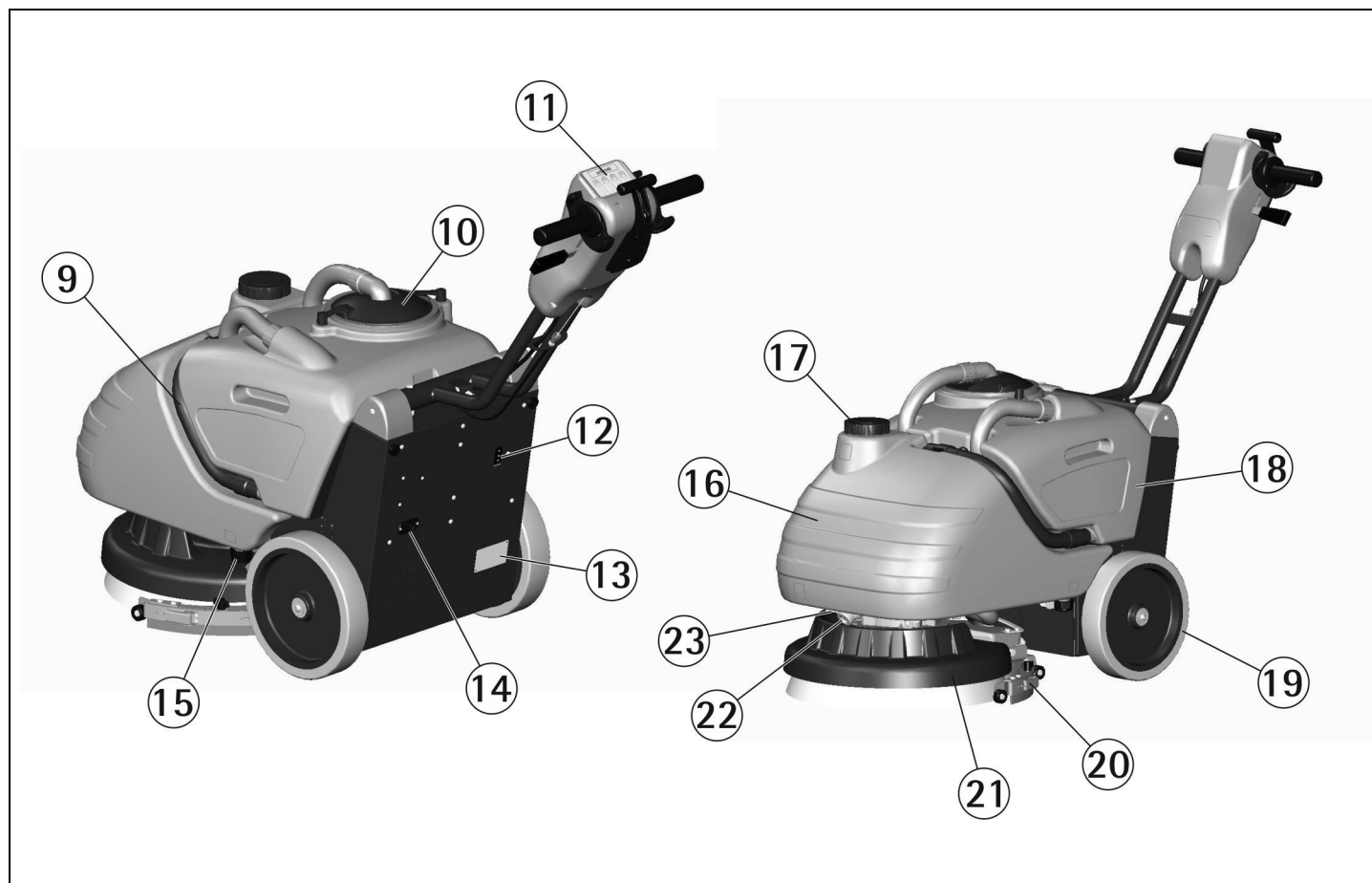
LEGENDE TABLEAU DE BORD ET CONTROLES

- | | |
|--|-------------------------------|
| 1. INTERRUPTEUR GENERAL ET TEMOIN DE SIGNALISATION CORRESPONDANT | 5. LEVIER DE RELEVAGE SUCEUR |
| 2. INTERRUPTEUR MOTEUR DE LA BROSSE ET TEMOIN CORRESPONDANT | 6. POIGNEES DE TIMON |
| 3. INTERRUPTEUR MOTEUR D'ASPIRATION ET TEMOIN CORRESPONDANT | 7. LEVIERS PRESENCE HOMME |
| 4. INTERRUPTEUR ELECTROVANNE ET TEMOIN CORRESPONDANT | 8. LEVIER DE DEBLOCAGE GUIDON |



LEGENDE MACHINE

- | | |
|--|---|
| 9. TUYAU DE VIDANGE RESERVOIR DE RECUPERATION | 17. BOUCHON REMPLISSAGE SOLUTION DETERGENTE |
| 10. COUVERCLE D'ASPIRATION | 18. RESERVOIR DE RECUPERATION |
| 11. TABLEAU DE BORD | 19. ROUES |
| 12. LED DE SIGNALISATION NIVEAU DE CHARGE BATTERIES (AGM) | 20. ENSEMBLE DE SUCEUR |
| 13. PLAQUE DE MATRICULE | 21. CARTER |
| 14. FICHE D'ALIMENTATION ELECTRIQUE CHARGEUR DES BATTERIES | 22. FILTRE SOLUTION DETERGENTE |
| 15. BOUCHON REMPLISSAGE SOLUTION DETERGENTE | 23. REGLAGE DEBIT DE LA SOLUTION DETERGENTE |
| 16. RESERVOIR DE LA SOLUTION DETERGENTE | |



CARACTERISTIQUES TECHNIQUES		
Largeur de travail	mm/in	430/17
Largeur de suceur	mm/in	510/20
Tension des batteries	V	24
Capacité des batteries	Ah _s	34
Puissance installée	W/A	670/28
Capacité de travail (max)	m ² /h sqft/h	1505/11483
Diamètre de la brosse	mm/in	430/17
Vitesse de rotation de la brosse	rpm	190
Pression sur la brosse	kg/lbs.	35/77
Dépression d'aspiration	mbar/water lift	83/33
Type d'avancement		semi autom.
Pente maximale	%	2
Réservoir d'eau propre	l/gal	22/6
Réservoir de récupération	l/gal	22/6
Longueur machine (min)	mm/in	793/31
Hauteur machine	mm/in	603/24
Largeur machine	mm/in	518/20
Poids de la machine (à vide, avec les batteries)	kg/lbs.	86,5/191
Poids des batteries	kg/lbs.	30/66
Temps de recharge max	h	10
Compartiment des batteries (L x L x H)	mm/in	346 x 207 x 210/14 x 8,1 x 8,2
Niveau de pression acoustique (selon les normes EN 604_01)	dB (A)	<70
Classe		III
Degré de protection	IP	X3
Chargeur des batteries: voltage	V ~	230
Chargeur des batteries: fréquence du réseau	Hz	50
Chargeur des batteries: classe		I

AVANT-PROPOS

Nous vous remercions pour avoir choisi notre machine. Cette machine est une autolaveuse qui vient utilisée pour le nettoyage industriel et civil pour tout type de revêtement, exclu le nettoyage des moquettes. Durant sa translation, l'action combinée de la brosse et de la solution détergent enlève la salissure qui vient récupérée avec le groupe d'aspiration arrière, en permettant un séchage parfait et immédiat du sol.

La machine doit être utilisée seulement dans ce but. Elle fournit les meilleures performances si elle est utilisée correctement et maintenue efficacement. Nous vous prions de bien vouloir lire cette brochure d'instruction pour la mise en route et l'entretien de votre machine. En cas de nécessité, notre service d'assistance est à disposition pour tout conseil ou intervention.

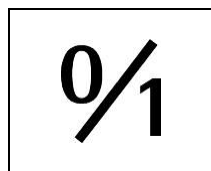
NORMES GENERALES DE SECURITE

Les normes indiquées doivent être suivies scrupuleusement pour éviter des dommages pour l'opérateur et la machine.

- Lire avec attention les étiquettes sur la machine. Ne pas les effacer et les remplacer immédiatement en cas d'altération.
- La machine doit être utilisée exclusivement par du personnel autorisé et informé sur l'utilisation.
- Pendant le fonctionnement de la machine, faire attention aux autres personnes et surtout aux enfants.
- En présence des enfants surveiller la machine de façon qu'ils ne jouent pas avec la même.
- La machine n'est pas destinée pour être utilisée par des personnes, enfants compris, lesquelles capacités physiques, sensorielles ou mentales soient réduites, ou bien avec un manque d'expérience ou de connaissance, à moins qu'elles auraient pu bénéficier, par l'intermédiation d'une personne responsable du leur sûreté, d'une surveillance ou des instructions concernant l'utilisation.
- La prise du réseau d'alimentation doit être équipée de la messe en terre réglementaire.
- Ne pas endommager le câble d'alimentation avec des pliages, bosselures ou sollicitations.
- Ne pas mélanger des détergents différents pour éviter des dégagements gazeux.
- Température de stockage: entre 32°F et 131°F (0°C et +55°C).
- Bonne température d'utilisation: entre 32°F et 104°F (0°C et +40°C).
- L'humidité ne doit pas excéder 95%.
- Ne pas utiliser la machine en atmosphère explosive.
- Ne pas utiliser la machine comme moyen de transport.
- Ne pas monter ou descendre l'escalier.
- Ne pas utiliser de solution acide qui peut détériorer la machine et/ou les personnes.
- Eviter de laisser tourner la brosse lorsque la machine est à l'arrêt pour ne pas abîmer le sol.
- Ne pas utiliser la machine sur des surfaces humides de liquides ou poussières inflammables (par exemple hydrocarbures, cendres ou suie).
- En cas d'incendie utiliser un extincteur à poudre. Ne pas utiliser d'eau.
- Ne pas monter de rayonnage ou d'échafaudage lorsqu'il y a des risques de chute d'objets.
- Ne pas utiliser la machine sur des surfaces ayant une pente supérieure à celle indiquée sur la plaque signalétique.
- La machine est utilisée pour des opérations de nettoyage et d'aspiration. Les autres opérations devront être effectuées dans des zones interdits au personnel non autorisé et l'opérateur doit mettre chaussures appropriées.
- Signaler de façon visible les endroits où le sol est humide.
- En cas d'anomalies dans le fonctionnement de la machine, s'assurer qu'elles ne dépendent pas d'une manquée d'entretien ordinaire. Dans le cas contraire, appeler le service après-vente autorisé.

- En cas de remplacement de pièces, commander les pièces ORIGINALES au distributeur et/ou revendeur autorisé.
- Utiliser seulement des brosses ORIGINALES indiquées dans le paragraphe "BROSSES CONSEILLÉES".
- Pour réaliser les interventions de nettoyage et/ou de maintenance, stopper l'alimentation électrique de la machine.
- Ne pas enlever les protections qui réclament des outils pour les déplacer.
- Ne pas laver la machine à grand jets ou avec une haute pression ou avec des produits corrosifs.
- Toutes les 200 heures de travail, faire procéder à un contrôle par un centre d'assistance autorisé.
- Avant d'utiliser la machine, vérifier que tous panneaux et carters soient positionnés suivant les indications de ce manuel.
- Rétablir toutes les connexions électriques après n'importe quelle intervention d'entretien.
- Pourvoir à l'élimination des pièces consommables en suivant scrupuleusement les normes des lois en vigueur.
- Quand votre machine est à l'arrêt, prévoir d'éliminer dans les conteneurs spéciaux l'huile, les batteries et les composants électroniques en prenant en compte que la machine est fabriquée, où possible, avec des matériaux recyclables.

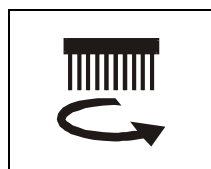
SYMBOLOGIE



Symbole 0/1 pour indiquer l'interrupteur général et le témoin correspondant.



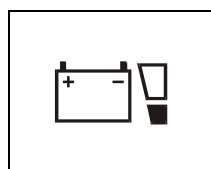
Symbole du robinet. On l'utilise pour indiquer l'interrupteur et le témoin de l'électrovanne.



Symbole de la brosse. On l'utilise pour indiquer l'interrupteur et le témoin du moteur de la brosse.



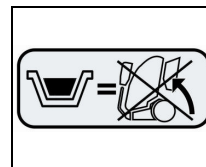
Symbole du moteur d'aspiration. On l'utilise pour indiquer l'interrupteur et le témoin du moteur d'aspiration.



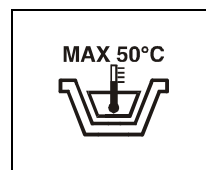
Symbole du niveau du charge des batteries.



Indication du bouchon de vidange du réservoir de la solution.



Ce symbole indique de vider les réservoirs avant de tourner la machine.



Indication de la température maximale du détergent de la solution.



Indication du réglage de débit de la solution détergente.



Symbole du bidon barré. Indication que à l'arrêt de la machine, elle doit être écoulee conformément aux législations en vigueur.



Symbole de lecture du manuel d'utilisation entretien. Indique à l'opérateur qu'il doit lire le manuel avant d'utiliser la machine.



Symbole d'avertissement. Lire attentivement les paragraphes précédés de ce symbole, pour la sécurité de l'opérateur et de la machine.

AVANT DE L'UTILISATION

DEPLACEMENT DE LA MACHINE EMBALLÉE

La machine est fournie avec un emballage. Le poids total est de 221 lbs. (100 kg) max. Les dimensions de l'emballage sont:
Base: 33"x22" (84,5cm x 57cm)
Hauteur: 33" (85cm)

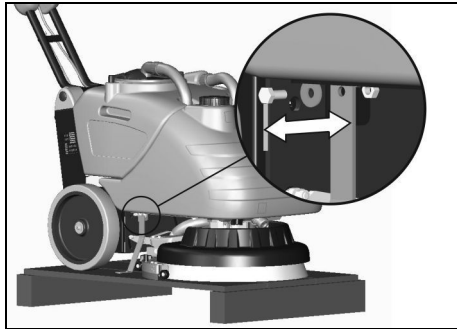


ATTENTION:

Ne pas mettre plus de deux emballages l'un sur l'autre.

DEBALLAGE DE LA MACHINE

1. Enlever l'emballage extérieur.
2. Dévisser les deux vis qui fixent les deux étriers à la machine.
3. Dévisser les vis qui fixent les étriers à la palette et enlever les étriers.
4. Porter le guidon dans la position de travail (voir dans "MOUVEMENT DU GUIDON") pour faire descendre la machine de la palette en la poussant en avant sur les roues dans la position en peu inclinée en arrière pour éviter tout chocs violents aux pièces mécaniques.
5. Conserver la palette et les étriers pour une éventuelle nécessité de transport.

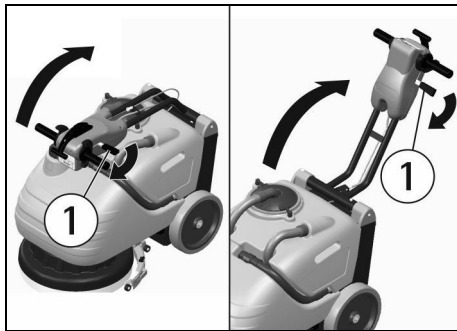


MOUVEMENT DU GUIDON

Le guidon dans l'emballage se trouve en position fermé sur la machine.

Pour tourner le guidon dans une des positions différentes de travail et pouvoir ensuite avancer avec la machine:

1. Agir sur le levier de déblocage (1) présent près des poignées de guidon.
 2. Tourner le guidon dans la position de travail en maintenant pressé le levier de déblocage (1).
 3. Relâcher le levier de déblocage (1) pour obtenir le blocage du guidon.
- Agir pareillement pour un autre réglage de l hauteur du guidon afin de trouver la position de travail la plus confortable.

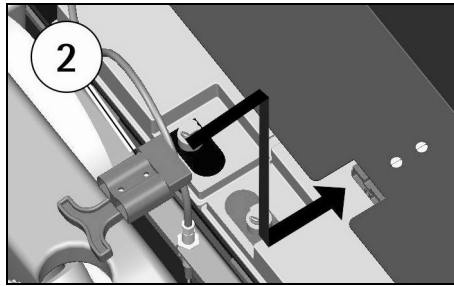


CONNEXION BATTERIES

La machine réclame normalement l'utilisation de deux batteries à 12 Volt connectées en série, logées dans le compartiment prévu sous le réservoir de récupération.

S'il est nécessaire de remplacer les batteries, s'adresser au service d'assistance technique autorisé.

Le remplacement doit être effectué exclusivement avec des batteries lesquelles performances soient identiques avec les batteries déjà installées, donc: No. 2 batteries AGM 12V 34Ah.
 Avec le connecteur (2) il est possible de connecter ou débrancher les batteries.



RECHARGE DES BATTERIES

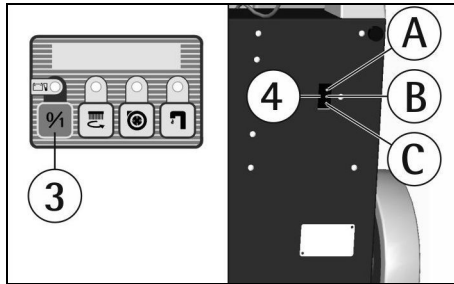
La présence d'une étiquette avec la légende "AGM" située sur le châssis à l'arrière de la machine, identifie la version équipée avec les batteries AGM et son chargeur approprié.

Avec l'interrupteur général (3) allumé, dans la partie arrière de la machine vient visualisé le niveau de charge des batteries (4).

A: led vert allumé = batteries chargées.

B: led orange allumé = batteries presque déchargées.
 C: led rouge allumé = décharge complète des batteries.

Quand le led du chargeur batteries (C) devient rouge, simultanément aussi le led de l'interrupteur général (3) devient rouge, avec la coupure automatique de toutes les fonctions de la machine.



Pendant les opérations de recharge s'active un dispositif qu'interdit le fonctionnement de la machine.

Amener la machine sur une surface plate près d'une prise du réseau monophasé.

Actionner l'interrupteur général (3) pour le stopper.

Connecter le câble d'alimentation, fourni avec la machine, soit à la machine (5) soit à la prise du réseau comme indiquée dans la figure.

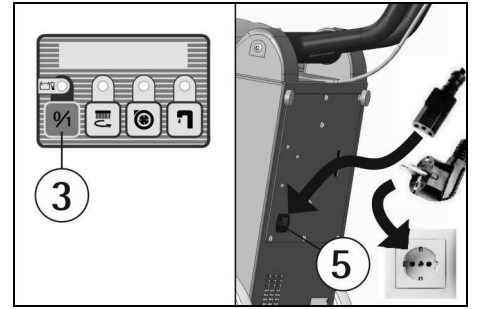
A la fin de la phase de recharge, enlever le câble d'alimentation.

La phase de la recharge est complète seulement quand sur le chargeur s'allume le led vert (A).



ATTENTION:

Pour ne pas provoquer des dommages permanents aux batteries, ne jamais laisser les batteries complètement déchargées, en pourvoyant immédiatement à la recharge. En outre, dans le cas d'un arrêt pour plus de deux semaines de la machine, détacher le connecteur des batteries (voir dans "CONNEXION BATTERIES").



ATTENTION:

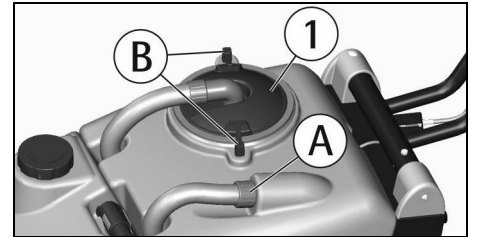
Ne jamais charger les batteries avec un chargeur de batteries non adapté. Suivre scrupuleusement les instructions fournies du fabricant des batteries et du chargeur des batteries.

ELIMINATION DES BATTERIES

Il est obligatoire de livrer les batteries épuisées, qui sont classifiées comme déchet dangereux, à une agence autorisée aux termes de la loi pour l'élimination.

RESERVOIR DE RECUPERATION

Contrôler que le couvercle du filtre d'aspiration (1) soit correctement bloqué, après avoir tourné les leviers (B). Vérifier en outre que le tuyau du suceur soit correctement connecté dans son logement (A).



RESERVOIR DE LA SOLUTION DETERGENTE

La capacité du réservoir de la solution est indiquée dans les caractéristiques techniques.

Ouvrir le bouchon à vis (6) que se trouve supérieurement et remplir le réservoir de la solution avec de l'eau propre, à une température inférieure à 122°F (50°C). Ajouter le détergent liquide à la concentration et avec les modalités prévues par le fabricant. Pour éviter la formation d'une quantité excessive de mousse, qui nuirait au moteur d'aspiration, utiliser un pourcentage minimum de détergent. Visser le bouchon du réservoir de la solution.



ATTENTION:

Utiliser toujours du détergent à mousse modérée. Pour éviter avec sécurité la production de la mousse, avant de commencer le travail, introduire dans le réservoir de récupération une quantité minimale de liquide antimousse.

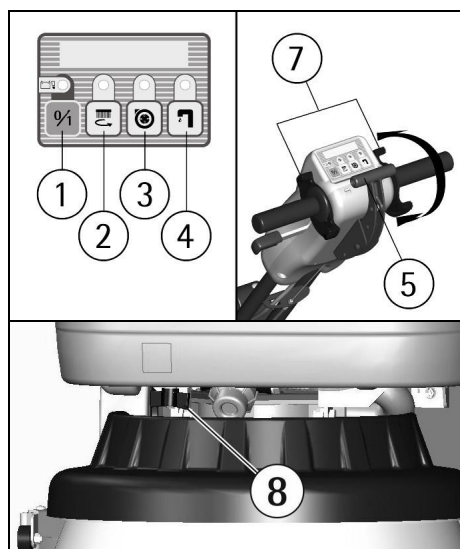
Ne pas utiliser des acides à l'état pur.

NETTOYAGE DES SOLS

ACTIONNEMENT DE LA MACHINE

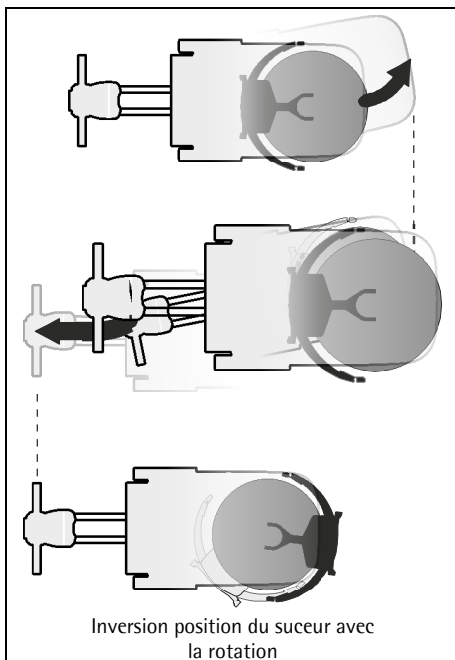
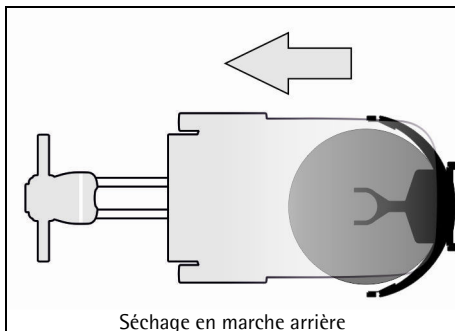
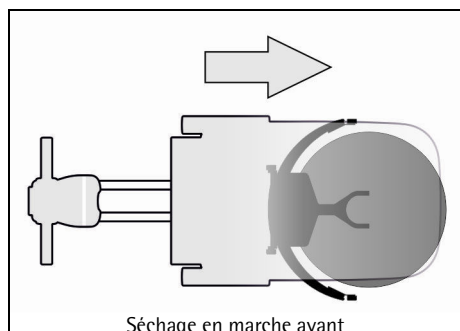
Les boutons poussoir sur le tableau de bord sont dotés d'un témoin vert supérieur pour signaler l'activation de la commande.

1. Allumer la machine en appuyant sur l'interrupteur général (1).
 2. Contrôler l'état de charge des batteries (voir dans "RECHARGE DES BATTERIES").
 3. Baisser le suceur en tournant vers le bas le levier (5) situé au centre du guidon.
 4. Appuyer sur l'interrupteur moteur de la brosse (2).
 5. Appuyer sur l'interrupteur moteur d'aspiration (3).
 6. Appuyer sur l'interrupteur de l'électrovanne (4).
- La machine est équipée avec l'électrovanne, par contre le débit de la solution détergente sera actionné automatiquement en actionnant les leviers présence homme (7). En relâchant les leviers présence homme le débit d'eau s'arrêtera automatiquement.
7. En actionnant les leviers présence homme (7) la brosse commencera à tourner. Le débit de la solution détergente commencera à écouler et le suceur commencera l'aspiration.
 8. Pendant les premiers mètres (feet) contrôler que le débit de la solution détergente soit adéquat. Le régulateur de débit de la solution détergente est déjà réglé dans l'usine pour satisfaire le nettoyage de la majeure partie des sols. S'il est nécessaire de modifier la quantité de la solution détergente sur le sol, agir sur le levier de réglage du débit (8).



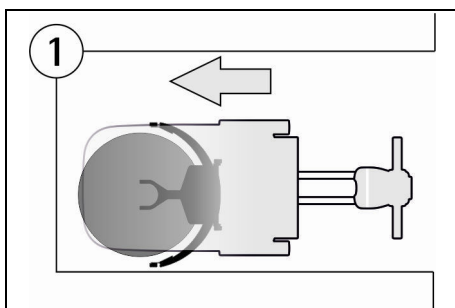
ROTATION COMPLÈTE DU SUCEUR

Avec cette machine il est possible de nettoyer et sécher tant en marche avant qu'en marche arrière grâce à la rotation complète du suceur. En suivant le parcours indiqué dans les images pour faciliter l'inversion de la position du suceur en permettant le séchage aussi en marche arrière.



SÉCHAGE EN MARCHÉ ARRIÈRE

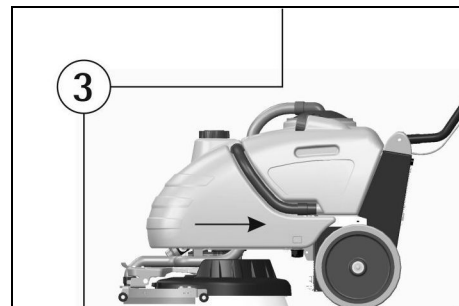
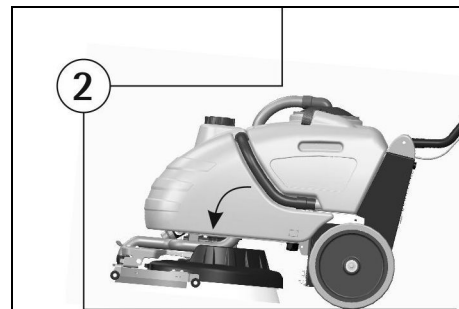
Avec le suceur positionné dans la partie avant de la machine, il est possible de nettoyer et sécher ou avec un suceur traditionnel on ne réussit pas. De suite quelques exemples sur comme utiliser les fonctionnalités de la rotation complète du suceur. Nettoyer la surface intéressée (1).



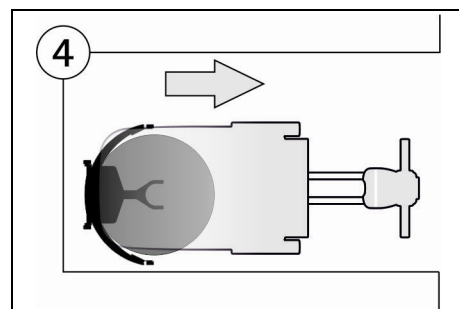
Tourner le suceur vers le droite ou vers le gauche (voir dans le chapitre "ROTATION COMPLETE DU SUCEUR") pour le porter devant. Soulever légèrement la machine (2) et se repositionner sur la surface de sécher (3).

⚠ ATTENTION:

Quand on soulève la machine, relâcher les leviers présence homme de façon d'arrêter la rotation de la brosse et pour éviter donc l'écoulement d'eau.

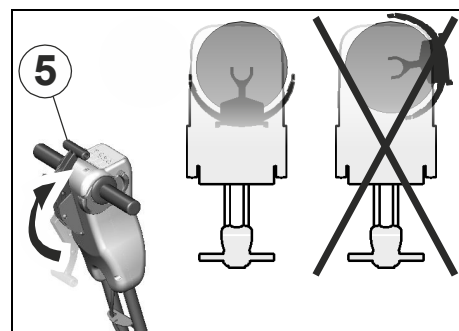


Procéder en marche arrière pour sécher la surface juste nettoyer (4).



RELEVAGE DU SUCEUR

Pour soulever le suceur, tourner vers le haut le levier (5) situé au centre du guidon.



Il est possible soulever le suceur quand il se trouve à proximité du point central.

Si le suceur ne se trouve pas à proximité du point central, même si en mouvant le levier (5), il ne se soulèvera pas.

⚠ ATTENTION:

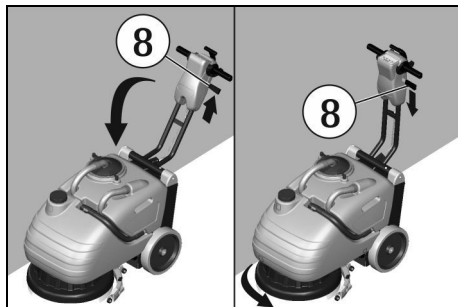
En phase de travail, le levier de relevage suceur doit être tenu dans la position baissée.

REGLAGE DU GUIDON

En proximité des obstacles ou des parois, il est possible de faciliter la manœuvre de la machine en réglant le guidon avec une position du timon plus verticale respect à la machine.

Pour tourner le guidon:

1. Agir sur le levier de déblocage (8) présent près des poignées de guidon.
 2. Tourner le guidon dans la position nouvelle de travail en maintenant pressé le levier de déblocage (8).
 3. Relâcher le levier de déblocage (8) pour obtenir le blocage du guidon.
- Depuis avoir dépassé l'obstacle et complétée la manœuvre répéter l'opération pour retourner à la position de travail précédente.
- Cette opération est possible aussi avec la machine en mouvement en maintenant appuyé simultanément le levier de présence homme.



DISPOSITIF TROP PLEIN

Pour éviter des dommages sérieux au moteur d'aspiration, la machine est équipée d'un flotteur qui intervient quand le réservoir de récupération est plein en provoquant la fermeture du tuyau d'aspiration et par conséquent de l'aspiration. Dans ce cas, il est nécessaire de procéder à la vidange du réservoir de récupération.

1. Empoigner le tuyau de vidange (9) du réservoir de récupération.
2. Enlever le bouchon du tuyau de décharge en actionnant le levier situé sur le bouchon et vider le réservoir de récupération dans les bacs prévus, conformément aux lois en vigueur pour ce qui concerne l'élimination des liquides.

⚠ ATTENTION:

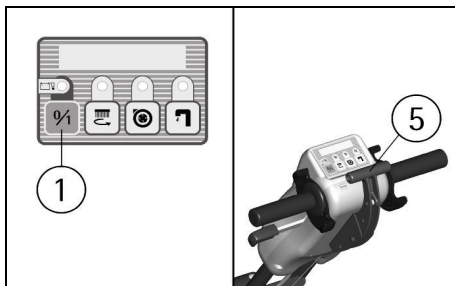
Cette opération doit être effectuée en utilisant des gants pour se protéger du contact avec des solutions dangereuses.



ARRÊT DE LA MACHINE A LA FIN DU NETTOYAGE

Avant d'exécuter n'importe quel type de maintenance:

1. Appuyer sur l'interrupteur général (1) pour le stopper.
2. Soulever le suceur en tournant vers le haut le levier (5) situé au centre du guidon (voir dans le chapitre "RELEVAGE DU SUCEUR").
3. Amener la machine à l'endroit prévu pour la vidange de l'eau.



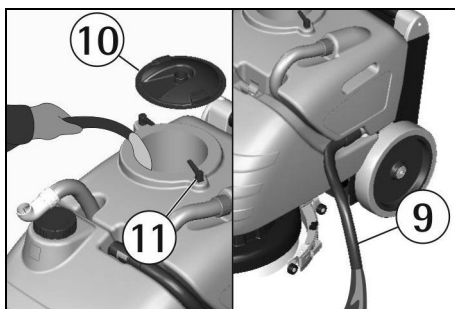
⚠ ATTENTION:

La machine n'est pas équipée d'un frein de stationnement; éviter de la garer sur des plans inclinés.

ENTRETIEN JOURNALIER

NETTOYAGE DU RESERVOIR DE RECUPERATION

1. Empoigner le tuyau de vidange (9) du réservoir de récupération.
2. Enlever le bouchon du tuyau de décharge et vider le réservoir de récupération dans les bacs prévus (voir dans le chapitre "DISPOSITIF TROP PLEIN").
3. Enlever le couvercle d'aspiration (10) depuis avoir tourné les leviers (11) qui le bloquent.
4. Vider le réservoir en utilisant son tuyau (9).
5. Rincer le réservoir avec un jet d'eau.



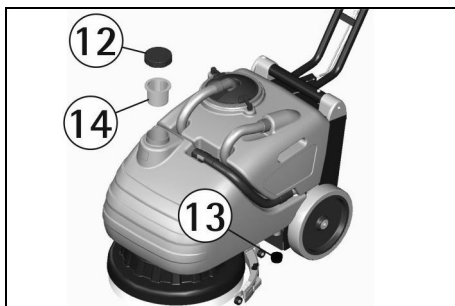
⚠ ATTENTION:

Cette opération doit être effectuée en utilisant des gants pour se protéger du contact avec des solutions dangereuses.

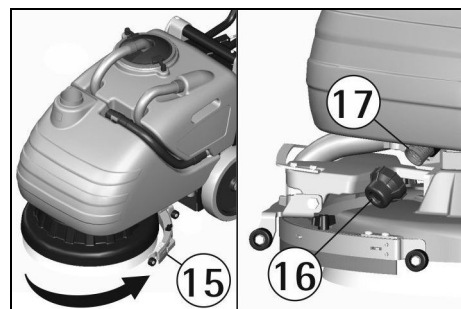
VIDANGE ET NETTOYAGE DU RESERVOIR DE LA SOLUTION ET DU FILTRE

Pour vider la solution détergente restée dans le réservoir de la solution:

1. Amener la machine à l'endroit prévu pour la vidange de l'eau.
2. Appuyer sur l'interrupteur général pour stopper la machine.
3. Dévisser le bouchon de remplissage (12) du réservoir de la solution et enlever le filtre (14).
4. Dévisser le bouchon de vidange (13) situé inférieurement au côté gauche de la machine et attendre que toute la solution détergente soit vidée.



5. Tourner manuellement le suceur (15) vers la partie antérieure de la machine de façon qu'on a libre accès au filtre (16).
6. Dévisser le couvercle du filtre (16), enlever la cartouche (17) et la rincer avec un jet d'eau.
7. Remonter le tout.

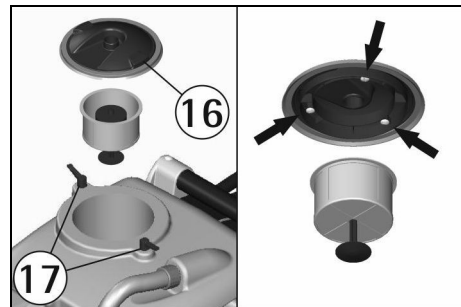


⚠ ATTENTION:

Cette opération doit être effectuée en utilisant des gants pour se protéger du contact avec des solutions dangereuses.

NETTOYAGE DU FILTRE D'ASPIRATION

1. Enlever le couvercle d'aspiration (16) depuis avoir tourné les leviers (17) qui le bloquent.
2. Enlever le filtre avec le flotteur en faisant fléchir le bord du filtre pour le dégager des vis présentes sur le couvercle.
3. Avec un jet d'eau nettoyer tout le groupe et particulièrement les parois et le fond du filtre.
4. Faire toutes les opérations de lavage avec soin.
5. Remonter le tout.



POSITIONNEMENT VERTICAL DE LA MACHINE

La machine peut prendre un positionnement vertical renversée à l'arrière depuis avoir replié le guidon de la machine.

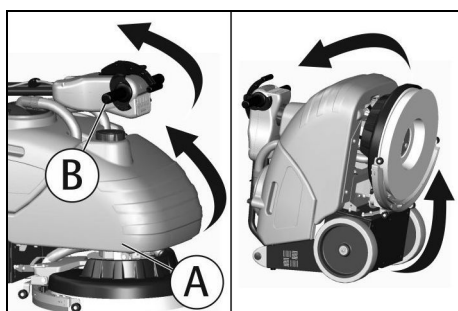
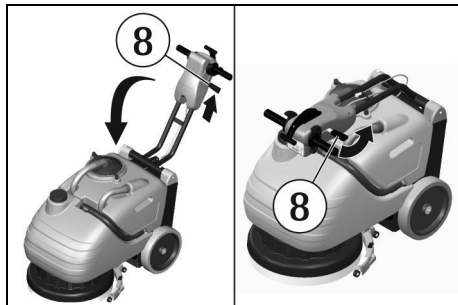
Cette position permet un encombrement réduit pour le parking de la machine et facilite les opérations de maintenance.

Pour tourner la machine il est nécessaire de:

1. Appuyer sur l'interrupteur général pour le stopper.
2. Contrôler que les deux réservoirs soient vides et dans le cas pourvoir à leurs vidanges (voir dans "VIDANGE ET NETTOYAGE DU RESERVOIR DE RECUPERATION" et "VIDANGE ET NETTOYAGE DU RESERVOIR DE LA SOLUTION").
3. Agir sur le levier de déblocage (8) présent près des poignées du guidon.
4. Tourner le guidon en le repliant vers les réservoirs en maintenant pressé le levier de déblocage (8).
5. Relâcher le levier de déblocage (8) pour obtenir le blocage du guidon.
6. En empoignant la machine avec les deux mains dans le point (A) du bord du réservoir et (B) des poignées du guidon comme indiquée dans la figure.
7. Soulever la partie avant de la machine en la faisant tourner sur les roues arrière et la portant dans la position verticale comme dans la figure.

⚠ ATTENTION:

La position verticale est indiquée quand on prévoit de ne pas utiliser la machine pour une durée de plus de 2/3 jours, pour éviter que le poids de la machine puisse avec le temps endommager la brosse en compromettant ensuite le correct fonctionnement de la machine.

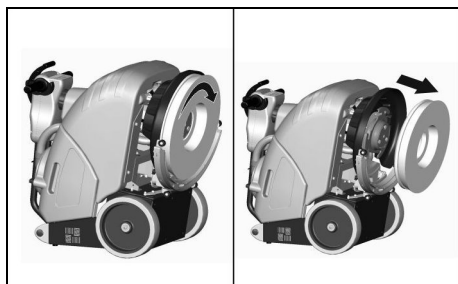


NETTOYAGE DE LA BROSSSE

Démonter la brosse et la nettoyer avec un jet d'eau (pour le démontage de la brosse voir ensuite "DEMONTAGE/MONTAGE DE LA BROSSSE").

DEMONTAGE/MONTAGE DE LA BROSSSE

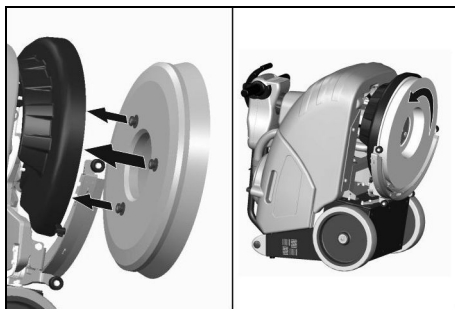
1. Renverser la machine à l'arrière (voir dans "POSITIONNEMENT VERTICAL DE LA MACHINE") en faisant attention de se souvenir de stopper l'interrupteur général et de vider les réservoirs.
2. Avec la machine dans cette position tourner la brosse dans le sens des aiguilles d'une montre, comme indiqué dans la figure, afin qu'elle sorte de la siége du plateau porte-brosse.



3. Pour remettre la brosse, enclencher les boutons présents dans leurs sièges du plateau porte-brosse et tourner dans le sens inverse aux aiguilles d'une montre pour obtenir le blocage. On peut en outre essayer types différents des brosses, en fonction du type du sol qu'on doit laver et les conditions de salissure qu'on trouve (voir dans "BROSSES CONSEILLEES").

⚠ ATTENTION:

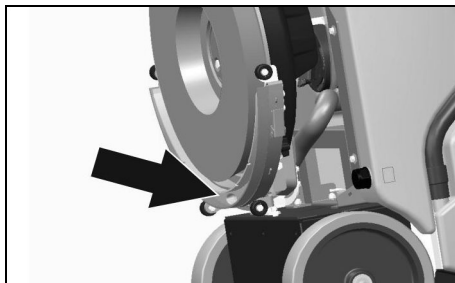
Les opérations de la manipulation de la brosse doivent être effectuées en utilisant des gants appropriés pour se protéger tant mécaniquement du contact avec les brins que du risque chimique pour le contact avec des solutions dangereuses.



NETTOYAGE DU SUCEUR

Maintenir le suceur propre est garantie d'un séchage meilleur.

1. Renverser la machine à l'arrière (voir dans "POSITIONNEMENT VERTICAL DE LA MACHINE") en faisant attention de se souvenir de stopper l'interrupteur général et de vider les réservoirs.
2. Avec la machine dans cette position nettoyer soigneusement l'intérieur de l'embrayage sur le suceur en éliminant éventuels déchets de salissure et nettoyer soigneusement les bavettes du suceur.

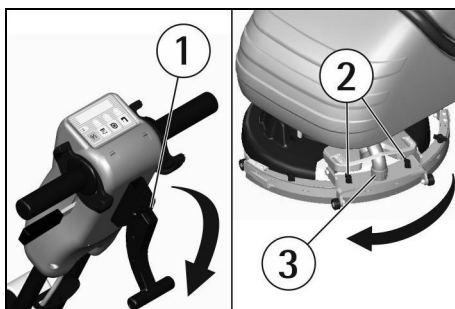


ENTRETIEN ORDINAIRE

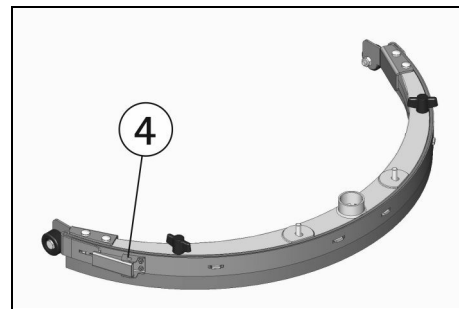
REPLACEMENT DE LA BAVETTE ARRIERE DU SUCEUR

Contrôler l'état d'usure de la bavette du suceur et éventuellement la tourner ou la remplacer.

- Pour le remplacement il est nécessaire de:
1. Baisser le suceur en tournant vers le bas le levier (1) situé au centre du guidon.
 2. Tourner vers l'extérieur le suceur.
 3. Avec le suceur dans cette position agir sur les écrous papillon (2) en les dévissant complètement pour libérer le suceur.
 4. Enlever le manchon (3) du tuyau suceur et enlever le suceur.



5. Décrocher la fermeture (4) de la lame presse-bavette et enlever la bavette pour la tourner ou la remplacer.
6. Contrôler que le manchon et le tuyau du suceur ne soient pas obstrués et éventuellement enlever la salissure. Pour remettre le suceur, répéter au contraire les opérations susdites.

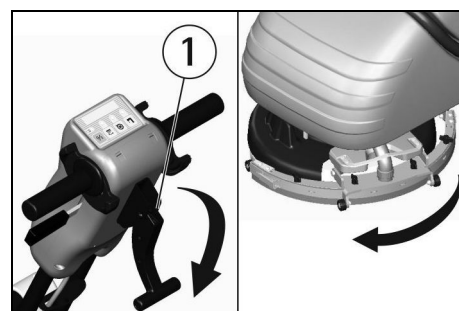


REPLACEMENT DE LA BAVETTE AVANT DU SUCEUR

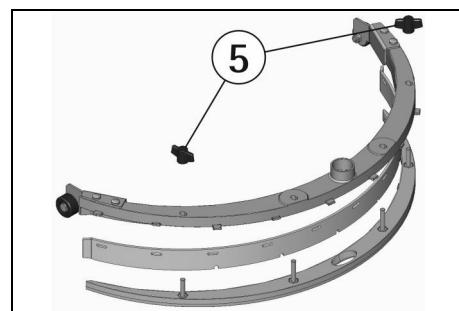
Contrôler l'état d'usure de la bavette avant du suceur et éventuellement la remplacer.

Pour le remplacement il est nécessaire de:

1. Baisser le suceur en tournant vers le bas le levier (1) situé au centre du guidon.
2. Tourner vers l'extérieur le suceur.



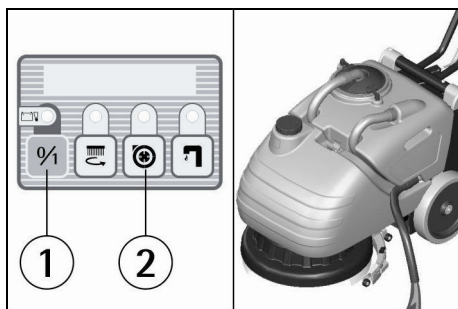
3. Avec le suceur dans cette position procéder à le démonter et ensuite la bavette arrière du suceur (voir dans "REPLACEMENT DE LA BAVETTE ARRIERE DU SUCEUR").
4. Enlever les écrous papillon (5) situés sur la partie supérieure du corps du suceur en séparant ensuite les deux parties métalliques qui le composent pour enlever la bavette avant.
5. Nettoyer avec un jet d'eau tous les composants. Pour remettre le suceur, répéter au contraire les opérations susdites.



CONTROLE DE FONCTIONNEMENT

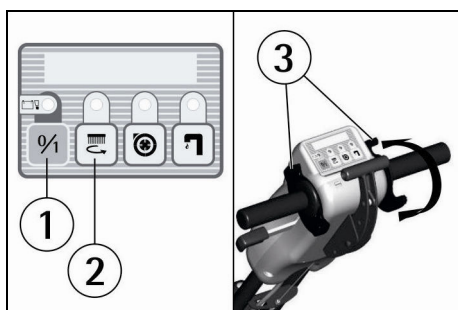
LE MOTEUR D'ASPIRATION NE FONCTIONNE PAS

1. Contrôler l'état de charge des batteries, qu'on peut voir en actionnant d'abord l'interrupteur général (1) (voir dans "RECHARGE DES BATTERIES").
2. Vérifier que l'interrupteur du moteur d'aspiration (2) soit allumé en vérifiant que le témoin vert correspondant soit allumé.
3. Contrôler le niveau dans le réservoir du récupération (voir dans "DISPOSITIF TROP PLEIN") et si nécessaire, vider le réservoir. Si le problème persiste, contacter le service d'assistance technique autorisé.



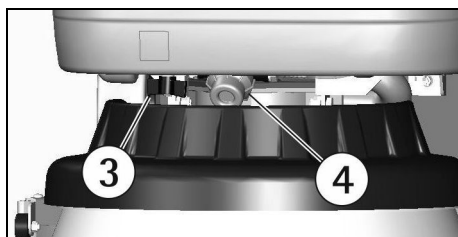
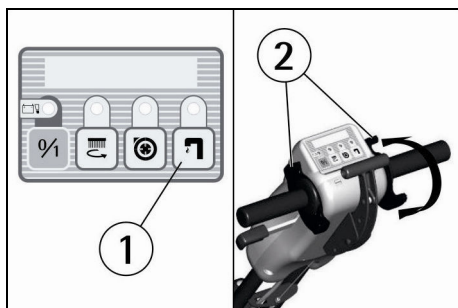
LE MOTEUR DE LA BROSSE NE FONCTIONNE PAS

1. Contrôler l'état de charge des batteries, qu'on peut voir en actionnant d'abord l'interrupteur général (1) (voir dans "RECHARGE DES BATTERIES").
 2. Vérifier que l'interrupteur du moteur de la brosse (2) soit allumé en vérifiant que le témoin vert correspondant soit allumé.
 3. Actionner les leviers présence homme (3).
- Si le problème persiste, contacter le service d'assistance technique autorisé.



L'EAU SUR LA BROSSE N'EST PAS SUFFISANTE

1. Vérifier d'avoir activé l'interrupteur de l'électrovanne (1) en vérifiant que le témoin vert correspondant soit allumé.
 2. Contrôler le niveau de l'eau dans le réservoir de la solution (voir dans "RESERVOIR DE LA SOLUTION DETERGENTE").
 3. Vérifier que le réglage du débit de la solution détergente (3) placé antérieurement sous le réservoir de la solution soit suffisamment ouvert.
 4. Actionner les leviers présence homme (2).
 5. Contrôler que le filtre solution (4) soit propre.
- Si le problème persiste, contacter le service d'assistance technique autorisé.



LA MACHINE NE NETTOIE PAS BIEN

1. La brosse n'a pas les brins de la dimension appropriée: utiliser seulement des brosses originales. Pour

des suggestions, contacter le service d'assistance technique autorisé.

2. La solution détergente est insuffisante: ouvrir en plus le réglage de débit de la solution détergente (3).
3. Contrôler que le détergent soit dans le pourcentage conseillé.

Consulter le service d'assistance technique autorisé pour tout conseil.

LE SUCEUR NE SECHE PAS PARFAITEMENT

1. Contrôler que les bavettes du suceur soient propres.
2. Contrôler que le manchon du tuyau d'aspiration soit enclenché correctement dans le propre logement sur le réservoir de récupération et sur le suceur.
3. Intervenir sur le filtre d'aspiration en le nettoyant.
4. Remplacer les bavettes si usées.
5. Contrôler que l'interrupteur du moteur d'aspiration soit allumé.
6. Contrôler le niveau dans le réservoir de récupération (voir dans "DISPOSITIF TROP PLEIN") et si nécessaire, vider le réservoir.

PRODUCTION EXCESSIVE DE MOUSSE

Contrôler qu'on a utilisé du détergent à mousse modérée. Eventuellement, ajouter une quantité minimale de liquide antimousse dans le réservoir de récupération.

Il est bon de rappeler qu'en cas d'un sol peu sale, une quantité plus importante de mousse se formera. Dans ce cas réduire le pourcentage de la solution détergente.

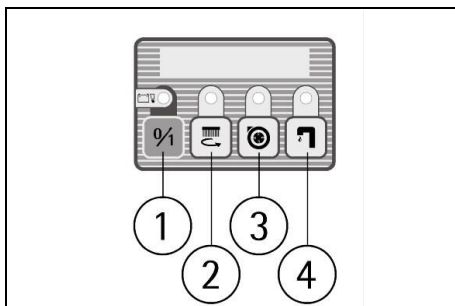
LED (2), (3) ET (4) QUI DEVIENT ROUGE

Si la machine est dans le sens de la marche, avec l'interrupteur général (1) vert allumé et un des trois led (2), (3) ou (4) change couleur, de vert à rouge, signifie qu'il y a une protection ampérométrique, par exemple:

- LED (2) ROUGE: le moteur de la brosse a un effort trop grand.
- LED (3) ROUGE: le moteur d'aspiration aspire de l'eau et donc se force trop.
- LED (4) ROUGE: la bobine de l'électrovanne peut être court-circuitée.

Pour rétablir, arrêter l'interrupteur général (1), attendre quelque minute et depuis l'appuyer.

Si le problème persiste, contacter le service d'assistance technique autorisé.



ENTRETIEN PROGRAMME

INTERVENTION	JOURNALIERE	HEBDOMADAIREMENT	ORDINAIRE/MENSUELLEMENT
NETTOYAGE DU RESERVOIR DE RECUPERATION	•		
NETTOYAGE DU FILTRE D'ASPIRATION	•		
NETTOYAGE DE LA BROSSE	•		
DEMONTAGE DE LA BROSSE	•		
NETTOYAGE DU SUCEUR	•		
REPLACEMENT DE LA BAVETTE AVANT DU SUCEUR			• si nécessaire
REPLACEMENT DE LA BAVETTE ARRIERE DU SUCEUR			• si nécessaire
NETTOYAGE DU TUYAU SUCEUR			•
NETTOYAGE DU RESERVOIR DE LA SOLUTION			•
NETTOYAGE DU FILTRE SOLUTION DETERGENTE		•	

BROSSES CONSEILLEES

Les brosses doivent être choisies en fonction du type de sol et de la salissure d'enlever.
Le matériel employé et le diamètre des brins sont les éléments qui font la différence des brosses.

MATERIEL	CARACTERISTIQUES
PPL (Polypropylène)	Bonne résistance à l'usure. Maintient les caractéristiques avec de l'eau chaude jusqu'à 140°F (60°C). Elle n'est pas hygroscopique.
TYNEX	Les brins sont fabriqués en nylon avec incrustable de grains abrasifs. Utiliser avec précaution pour ne pas détériorer le sol ou abîmer le cirage.
DIMENSION DES BRINS	Les brins avec un diamètre plus important sont plus rigides, par conséquent on doit les utiliser sur un sol lisse ou avec de petits joints. Sur le sol irrégulier ou avec des reliefs ou avec des gros joints il est conseillé d'utiliser des brosses plus souples parce qu'elles pénètrent plus facilement en profondeur. Se rappeler que quand les brins de la brosse sont usagés et deviennent trop courts, ils deviennent rigides et ils ne peuvent plus pénétrer et nettoyer en profondeur, même si les brins sont trop gros, la brosse a tendance de sautiller.
PLATEAU D'ENTRAINEMENT	Le plateau d'entraînement est conseillé pour le nettoyage des surfaces lisses. Il est équipé avec une série des pointes d'ancre qui permettent de retenir et d'entraîner le disque abrasif (pad) pendant le travail.

MACHINE	CODE	QUANTITE	DESCRIPTION	UTILISATION
BD 17 6	48903120	1	Brosse PPL 0,6 Ø 430mm/17"	Sols lisses avec des petits joints et saleté résistante.
	48903130	1	Brosse PPL 0,9 Ø 430mm/17"	Sols en matériel résistant et particulièrement sales.
	48903140	1	Brosse TYNEX Ø 430mm/17"	Sols en matériel résistant et particulièrement sales.
	48903150	1	Brosse 5-mix Ø 430mm/17"	Pour tous les sols.
	48803020	1	Plateau d'entraînement Ø 425mm/16.7"	Pour pad de 17", pour le nettoyage des surfaces lisses.
	48803050	1	Plateau d'entraînement Ø 425mm/16.7" + center lock vert	Pour pad de 17", pour le nettoyage des surfaces lisses.
	48803060	1	Plateau d'entraînement Ø 425mm/16.7" + center lock noir	Pour pad de 17", pour le nettoyage des surfaces lisses.

Formulaire d'inscription de garantie

Veillez fournir des informations supplémentaires sur les équipements Tornado (cocher les choix ci-dessous)

- | | |
|--|---|
| <input type="checkbox"/> Laveurs automatiques | <input type="checkbox"/> Balayeuses |
| <input type="checkbox"/> Machines à plancher au propane | <input type="checkbox"/> Machine à plancher rotatif |
| <input type="checkbox"/> Brunissoir à haute vitesse | <input type="checkbox"/> Aspirateurs à tapis |
| <input type="checkbox"/> Extracteurs et détacheurs à tapis | <input type="checkbox"/> Aspirateurs à eau/secs |
| <input type="checkbox"/> Nettoyeur à vapeur | <input type="checkbox"/> Aspirateurs jumbos |
| <input type="checkbox"/> Équipement à conducteur porté | <input type="checkbox"/> Laveuses à pression |

Voir les informations complètes des produits à www.tornadovac.com

Concessionnaire vendant : (Requis) _____

Veillez écrire lisiblement	
Société/Institution	
Nom du contact	Titre
Adresse	Ville/Province/Code postal
Téléphone	Télécopieur
Date de l'achat	Adresse électronique

Voir plaque de métal blanc ou autocollant sur l'unité pour son information.

TYPE DE MACHINE/NUMÉRO DU MODÈLE	NUMÉRO DE SÉRIE DE LA MACHINE
1.	1.
2.	2.
3.	3.
4.	4.

Description de l'installation (veuillez encercler tous ceux que s'appliquent)		
1. École	9. Hôpital	17. Gouvernement des É-U
2. Magasin de détail	10. Maison de retraite	18. Autre gouvernement
3. Restaurant	11. Institution religieuse	19. Service automobile
4. Immeuble de bureaux	12. Entrepôt	20. Aéroport
5. Nettoyage contractuel	13. Aéroport	21. À but non lucratif
6. Industrie légère	14. Appartement/Condo	22. Autre (spécifier)
7. Industrie lourde	15. Entrepôt	_____
8. Collège/Université	16. Supermarché	_____

Comment avez-vous entendu parler des équipements de nettoyage et d'entretien de Tornado?	En pied carré (mètres)	
	La superficie totale de sol dur	La superficie totale de tapis Pied carré (mètre carré)
<input type="checkbox"/> Contacté par un concessionnaire local <input type="checkbox"/> Expérience acquise avec des produits Tornado <input type="checkbox"/> Réputation/recommandation <input type="checkbox"/> Publicité <input type="checkbox"/> Publipostage <input type="checkbox"/> Internet <input type="checkbox"/> Autre	<input type="checkbox"/> 0-10 000 (0-930)	<input type="checkbox"/> 0-10 000 (0-930)
	<input type="checkbox"/> 10-50 000 (930-4 650)	<input type="checkbox"/> 10-50 000 (930-4 650)
	<input type="checkbox"/> 50-250 000 (4 650-23 250)	<input type="checkbox"/> 50-250 000 (4 650-23 250)
	<input type="checkbox"/> Plus que 250 000 (plus que 23 260)	<input type="checkbox"/> Plus que 250 000 (plus que 23 260)

Les dommages ou défauts résultant de l'abus, de négligence ou autre mauvais usage sont exclus de cette garantie. D'autres éléments peuvent ou ne peuvent pas s'appliquer en fonction de votre propre machine. Si un défaut survient, la garantie est annulée si le service est tenté par des Centres Service Tornado non-autorisés

Retour à :
 Tornado Industries
 3101 Wichita Court
 Fort Worth TX 76140
 Télécopieur : (817-551-0719)
 Ou en ligne à
www.tornadovac.com

