



TORNADO INDUSTRIES, LLC
3101 WICHITA COURT
FORT WORTH, TX 76140
PHONE 800-VACUUMS
FAX 817-551-0719
WWW.TORNADOVAC.COM

**Operations & Maintenance Manual
For Commercial Use Only**



**BD 14/4 AUTOMATIC SCRUBBER
MODEL NO: 99414**



Long -Term Buyer Protection Limited Warranty

Tornado Industries, LLC. warrants to the end user/ customer that the Tornado product(s) will be free from defects in material and workmanship for the duration(s) described below. This limited warranty DOES NOT cover machines and/or components subject to normal wear and tear, damage that occurs in shipping, failures resulting from modification, accident, unsuitable operating environment, misuse, abuse, **neglect, or improper maintenance**. For full details, contact your Authorized Tornado Distributor, Service Center, or the Tornado Technical Service Department. Tornado sales and service representatives are not authorized to waive or alter the terms of this warranty, or to increase the obligations of Tornado under the warranty.

10 Years*

Plastic water tanks and Rotationally-molded bodies

2 Years*

Parts on all Tornado cleaning equipment

1 Year*

Labor on all Tornado cleaning equipment

1 Year*

Warranty on batteries, one year prorated

All battery warranties are handled directly by the battery manufacturer, on a one year prorated basis

Terms subject to change without notice

1. All Windshear™ Blowers, Storm, TV2SS, Side and Dowlndraft, Insulation Blowers, CV 30, CV 38, CK14/1 PRO, CK 14/2 PRO, SWM 31/9, CK LW13/1, CK LW 13/1 ROAM, CV 38/48 Dual, PV6, PV10, PV6 ROAM, Wall Mount Vacuum and all chargers are warranted for 1 (one) year for both parts and labor.
2. All non-wear item parts purchased after warranty expiration are warranted for 90 days.
3. Warranty starts from either: The date of sale to the consumer, or 6 months after the dealer purchased the unit from Tornado (at Tornado's discretion), whichever comes first.
4. The EB 30 is warranted for a period of 90 days for both parts and labor.
5. Propane-powered equipment engines are limited to the engine manufacturer's warranty.
6. Ride-on Scrubbers are warranted for 24 months parts, and 6 months labor, or 1,000 hours, whichever occurs first.

Note: Tornado, The Latest Dirt, Floorkeeper, Carpet-keeper, Carpetrinser, Carpetrinser/Dryer, Headmaster, Taskforce, PAC-VAC, T-Lite, Glazer, Windshear, Max-Vac and Trot-Mop are trademarks of Tornado Industries

Website: www.tornadovac.com

Phone 1-800-VACUUMS

Fax 817-551-0719

Address 3101 Wichita Court

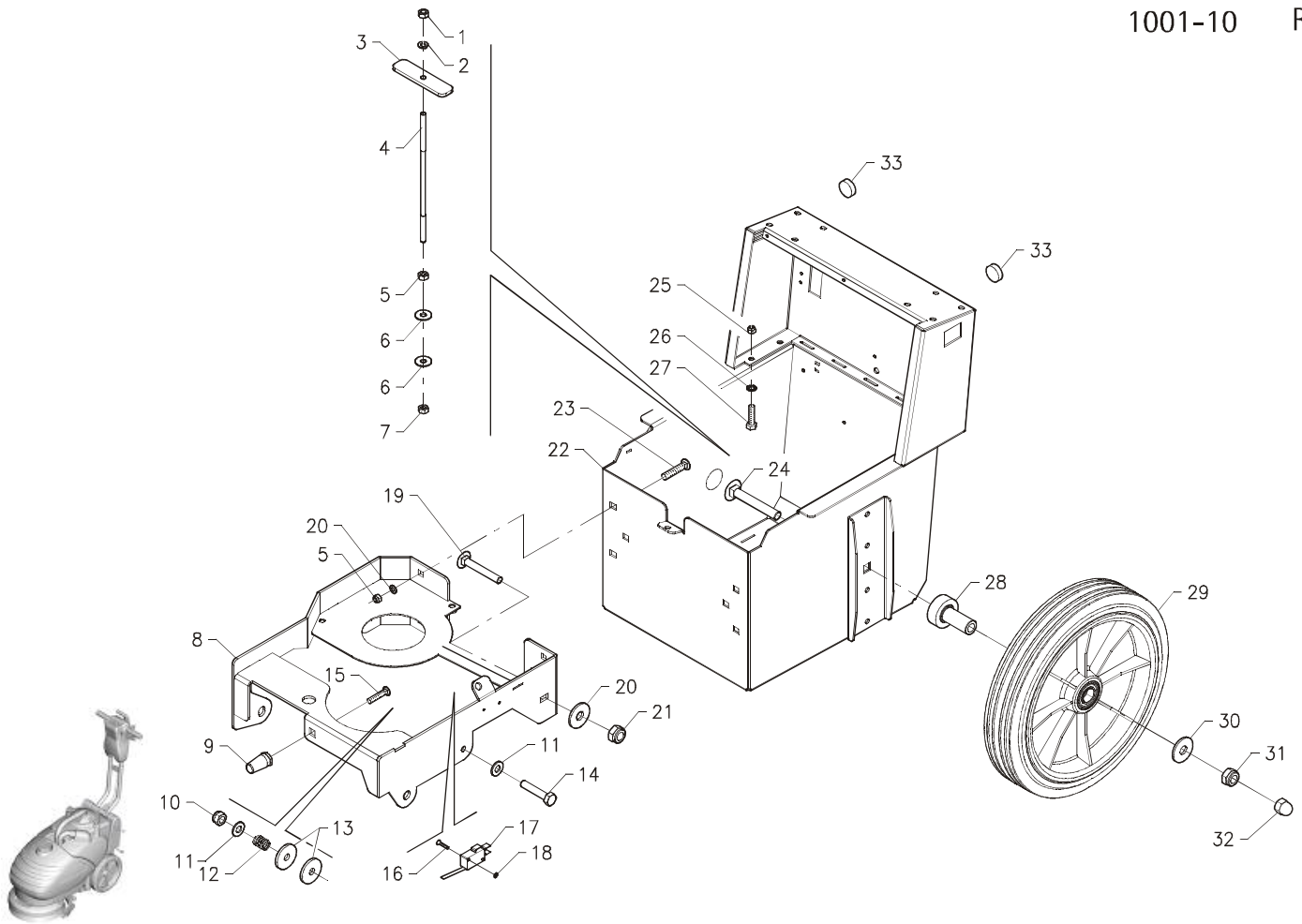
Fort Worth, TX 76140

1-800-VACUUMS

Over 90 Years of Cleaning Innovation

A Tacony Company

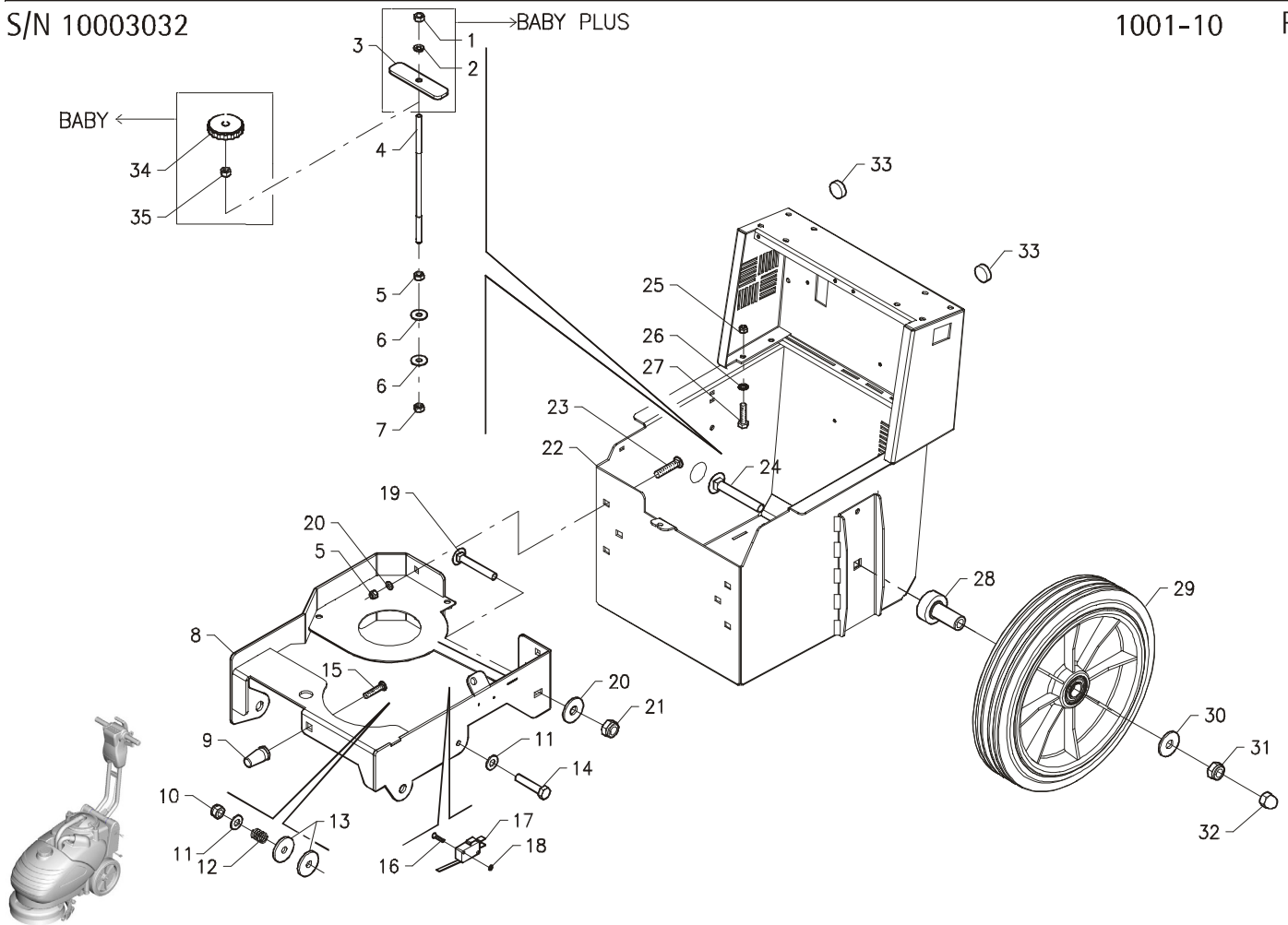
Table of Contents	
Frame Assembly (up to S/N 10003031)	4
S/N 10003032 - 11000111	6
S/N 11000112 - 11001467	8
S/N 11001468 - 12003881	10
S/N12003882 - 13000556	12
S/N 13000557 - 13001851	14
S/N13001852 - 15004066	16
From S/N15004067	18
Brushes Base Assembly (up to S/N 10003566)	20
S/N 10003567 - 11001467	22
S/N 11001468 - 13002064	24
From S/N 13002065	26
Squeegee Assembly (up to S/N 10003597)	28
From S/N 10003598	30
Squeegee Control Assembly (up to S/N 10000719)	32
S/N 100000720 - 10003597	34
S/N 10003598 - 11003294	36
S/N 11003295 - 15004066	38
S/N 15004067 - 17003125	40
From S/N 17003162	42
Squeegee Lift Lever Assembly	44
Handle Bar Support Assembly (up to S/N 10003540)	46
S/N 10003541 - 14001065	48
S/N 14001066 - 15003344	50
S/N 15003345 - 16001418	52
From S/N 16001419	54
Control Levers Assembly (up to S/N 11000542)	56
S/N 11000543 - 11004034	58
S/N 11004035 - 13001090	60
S/N 13001091 - 14001065	62
S/N 14001066 - 15004066	64
S/N 15004067 - 16001418	66
From S/N 16001419	68
Tank and Vacuum Assembly (up to S/N 12000492)	70
S/N 12000493 - 15004066	72
From S/N 15004067	74
Water Unit Assembly (up to S/N 11004870)	76
From S/N 11004871	78
Electrical Layout Assembly (up to S/N 12000664)	80
S/N - 12000665 - 12003881	82
From S/N 12003882	84
Battery Charger Assembly (up to S/N 10002336)	86
S/N 10002337 - 13003707	88
S/N 13003708 - 14003059	90
FromS/N 14003060	92
Drive Control Assembly (up to S/N 13001090)	94
From S/N 13001091	96



Return To TOC

No.	Part No.	Qty	Description
1	60210607	1	Nut
2	60506005	1	Lock Washer
3	21001030	1	Plate
4	21001020	1	Tie Rod
5	60220603	1	Lock Nut
6	60306007	2	Washer
7	60220603	1	Lock Nut
8	46110100	1	Front Frame
9	21001010	1	Tank Pin
10	60220801	1	Lock Nut
11	60308004	2	Washer
12	47210070	1	Compression Spring
13	20102210	2	Washer
14	60110812	1	Screw M8 x 35
15	60100802	1	Screw M8 x 20
16	60140304	1	Screw M3 x 14
17	63409002	1	Microswitch
18	60303004	1	Washer
19	60100613	2	Screw M6 x 35
20	60306010	2	Washer
21	60220603	2	Lock Nut
22	48010010	1	Battery Compartment
23	60100601	4	Screw M6 x 16
24	60101010	2	Screw M10 x 70
25	60210608	2	Nut
26	60506002	1	Lock Washer
27	60110612	1	Screw M6 x 30 INOX
28	21007010	2	Wheel Pin
29	46514010	2	Wheel M250 x 50
30	60311001	2	Washer
31	60221002	2	Lock Nut
33	62455010	2	Adhesive Plastic Cap

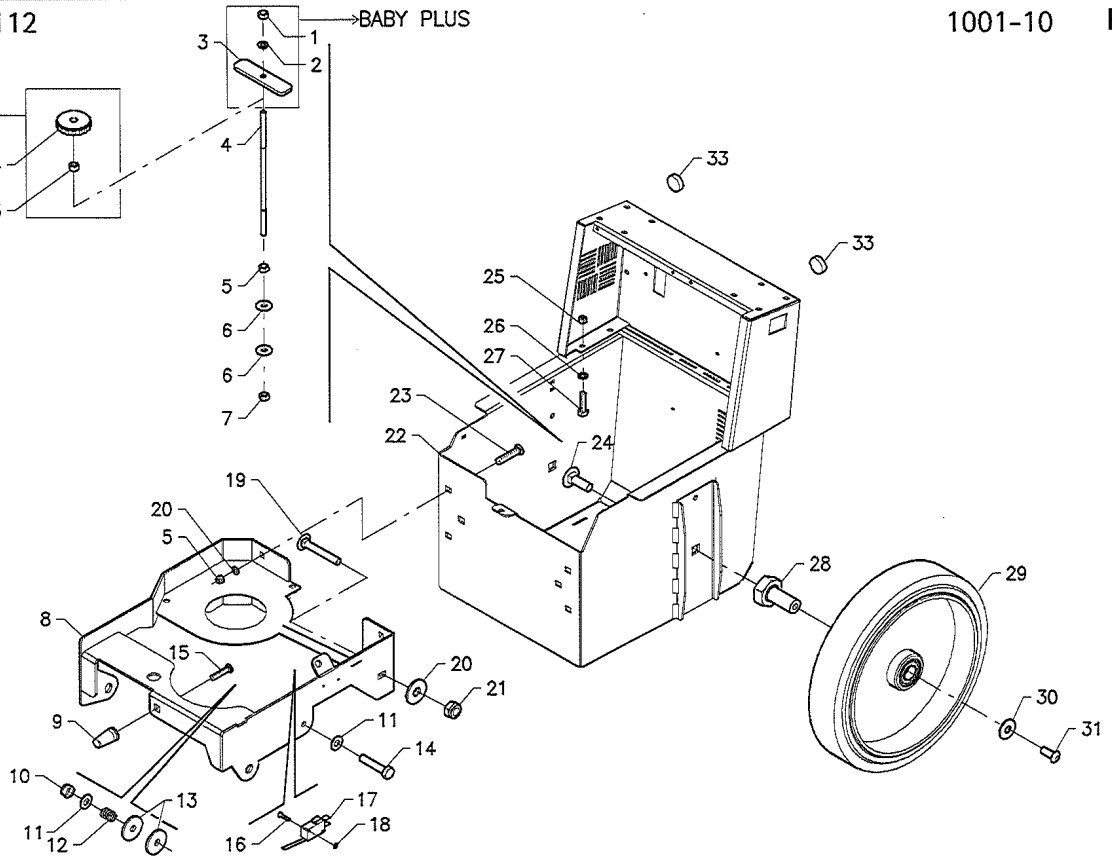
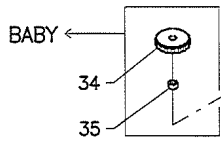
Return To TOC



Return To TOC

No.	Part No.	Qty	Description
1	60210607	1	Nut
2	60506005	1	Lock Washer
3	21001030	1	Plate
4	21001020	1	Tie Rod
5	60220603	1	Lock Nut
6	60306007	2	Washer
7	60220603	1	Lock Nut
8	46110100	1	Front Frame
9	21001010	1	Tank Pin
10	60220801	1	Lock Nut
11	60308004	2	Washer
12	47210070	1	Compression Spring
13	20102210	2	Washer
14	60110812	1	Screw M8 x 35
15	60100802	1	Screw M8 x 20
16	60140304	1	Screw M3 x 14
17	63409002	1	Microswitch
18	60303004	1	Washer
19	60100613	2	Screw M6 x 35
20	60306010	2	Washer
21	60220603	2	Lock Nut
22	48010010	1	Battery Compartment
23	60100601	4	Screw M6 x 16
24	60101010	2	Screw M10 x 70
25	60210608	2	Nut
26	60506002	1	Lock Washer
27	60110612	1	Screw M6 x 30 INOX
28	21007010	2	Wheel Pin
29	46514010	2	Wheel M250 x 50
30	60311001	2	Washer
31	60221002	2	Lock Nut
33	62455010	2	Adhesive Plastic Cap
34	61706007	1	Handwheel
35	60220602	1	Nut

Return To TOC



Return To TOC

No.	Part No.	Qty	Description
1	60210607	1	Nut
2	60506005	1	Lock Washer
3	21001030	1	Stop
4	21001020	1	Tie Rod
5	60220603	2	Lock Nut
6	60306007	2	Washer
7	60220603	1	Lock Nut
8	46110100	1	Front Frame
9	21001010	1	Tank Pin
10	60220801	1	Lock Nut
11	60308004	2	Washer
12	47210070	1	Spring
13	20102210	1	Washer
14	60110812	1	Screw M 8x35
15	60100802	1	Screw M 8x20
16	60140304	1	Screw M 3x14
17	63409002	1	Microswitch
18	60303004	1	Washer
19	60100613	1	Screw M 6x35
20	60306010	1	Washer
21	60220603	1	Lock Nut
22	48010010	1	Battery Compartment
23	60100601	1	Screw M 6x16
24	60101003	1	Screw M 10x30
25	60210608	1	Nut
26	60506002	1	Lock Washer
27	60110612	1	Screw M 6x20
28	21007020	2	Wheel Pin
29	46514010	2	Rubber Wheel 10x1.5
30	60308007	2	Washer M8x24x2
31	60100803	2	Screw M8x20
33	62405010	2	Adhesive Plastic Cap
34	61706007	1	Handwheel
35	60220602	1	Nut

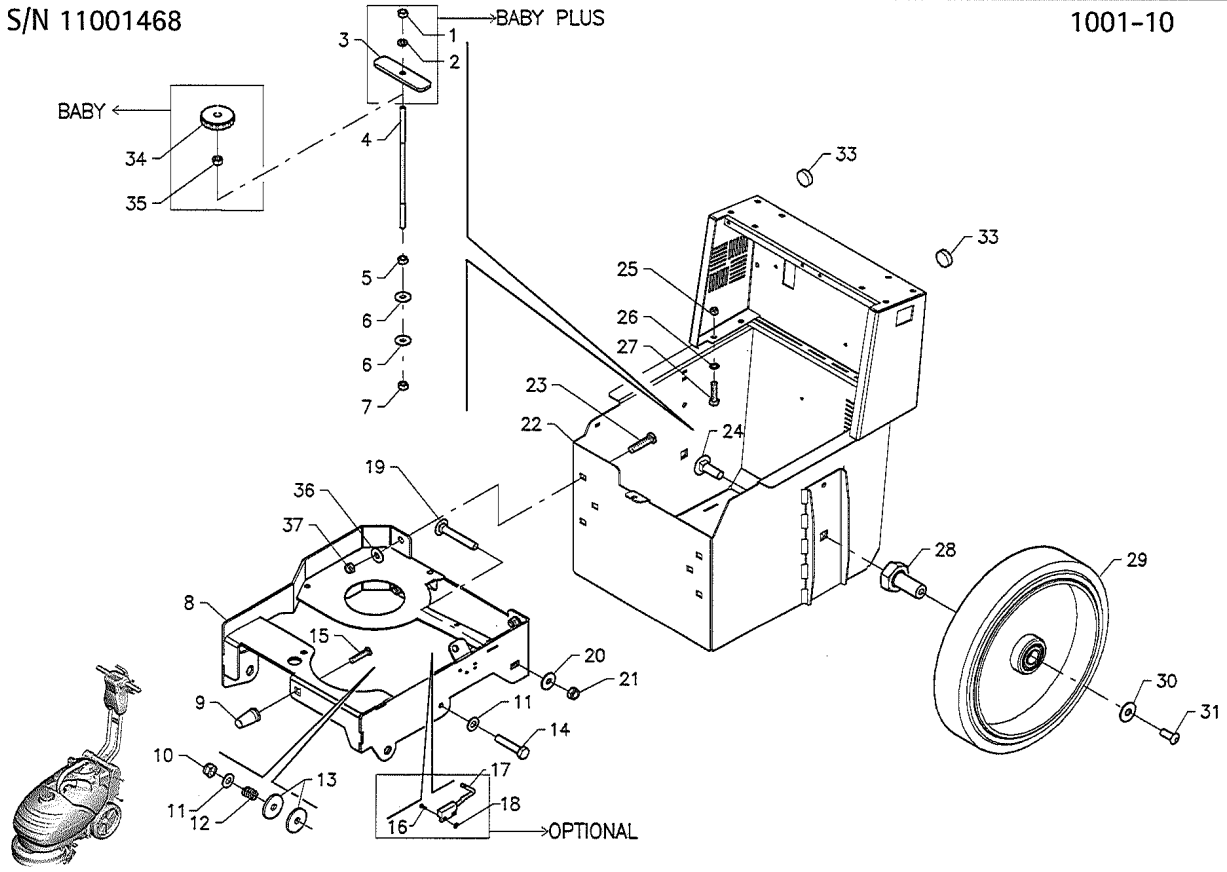
Return To TOC

S/N 11001468

→BABY PLUS

1001-10

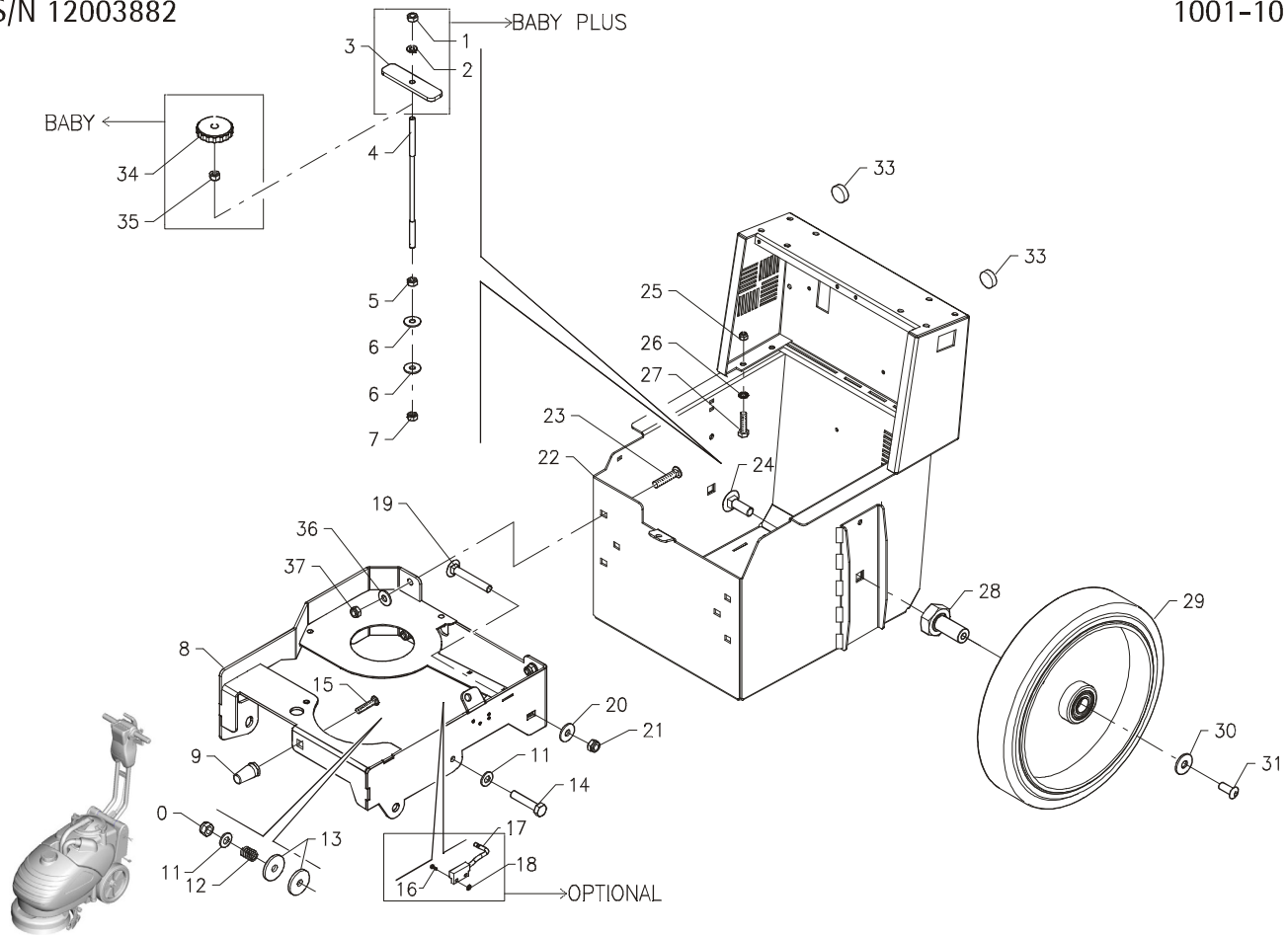
R03



Return To TOC

No.	Part No.	Qty	Description
1	60210607	1	Nut
2	60506005	1	Lock Washer
3	21001030	1	Plate
4	21001020	1	Tie Rod
5	60220603	1	Lock Nut
6	60306007	2	Washer
7	60220603	1	Lock Nut
8	46110100	1	Front Frame
9	21001010	1	Tank Pin
10	60220801	1	Lock Nut
11	60308004	2	Washer
12	47210070	1	Compression Spring
13	20102210	2	Washer
14	60110818	1	Screw M8 x 40
15	60100802	1	Screw M8 x 20
16 OPT	60140311	1	Screw M3 x 6
17 OPT	63720001	1	Magnetic Contact
18 OPT	60303002	1	Washer
19	60100613	2	Screw M6 x 35
20	60306010	2	Washer
21	60220603	2	Lock Nut
22	48010010	1	Battery Compartment
23	60100601	4	Screw M6 x 16
24	60101003	2	Screw M10 x 30
25	60210608	2	Nut
26	60506002	1	Lock Washer
27	60110612	1	Screw M6 x 30 INOX
28	21007020	2	Wheel Pin
29	46514010	2	Wheel M250 x 50
30	60308007	2	Washer INOX
31	60100803	2	Screw M8 x 20
33	62455010	2	Adhesive Plastic Cap
34	61706007	1	Handwheel
35	60220602	1	Nut INOX
36	60306010	4	Washer
37	60220603	4	Lock Nut

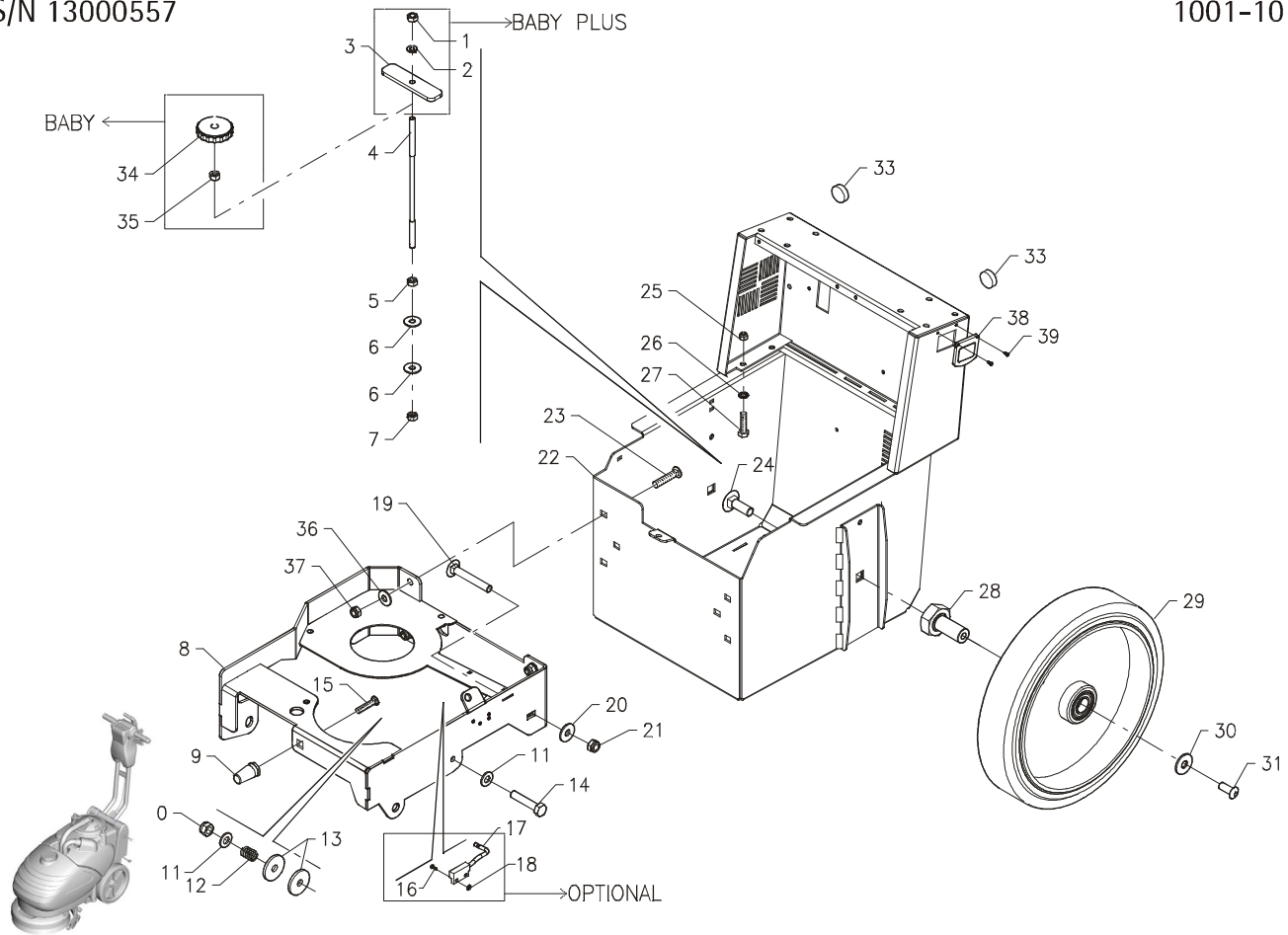
Return To TOC



Return To TOC

No.	Part No.	Qty	Description
1	60210607	1	Nut
2	60506005	1	Lock Washer
3	21001030	1	Plate
4	21001020	1	Tie Rod
5	60220603	1	Lock Nut
6	60306007	2	Washer
7	60220603	1	Lock Nut
8	46110100	1	Front Frame
9	21001010	1	Tank Pin
10	60220801	1	Lock Nut
11	60308004	2	Washer
12	47210070	1	Compression Spring
13	20102210	2	Washer
14	60110818	1	Screw M8 x 40
15	60100802	1	Screw M8 x 20
16 OPT	60140311	1	Screw M3 x 6
17 OPT	63720001	1	Magnetic Contact
18 OPT	60303002	1	Washer
19	60100613	2	Screw M6 x 35
20	60306010	2	Washer
21	60220603	2	Lock Nut
22	48010020	1	Battery Compartment
23	60100601	4	Screw M6 x 16
24	60101003	2	Screw M10 x 30
25	60210608	2	Nut
26	60506002	1	Lock Washer
27	60110612	1	Screw M6 x 30 INOX
28	21007020	2	Wheel Pin
29	46514010	2	Wheel M250 x 50
30	60308007	2	Washer INOX
31	60100803	2	Screw M8 x 20
33	62455010	2	Adhesive Plastic Cap
34	61706007	1	Handwheel
35	60220602	1	Lock Nut INOX
36	60306010	4	Washer
37	60220603	4	Lock Nut

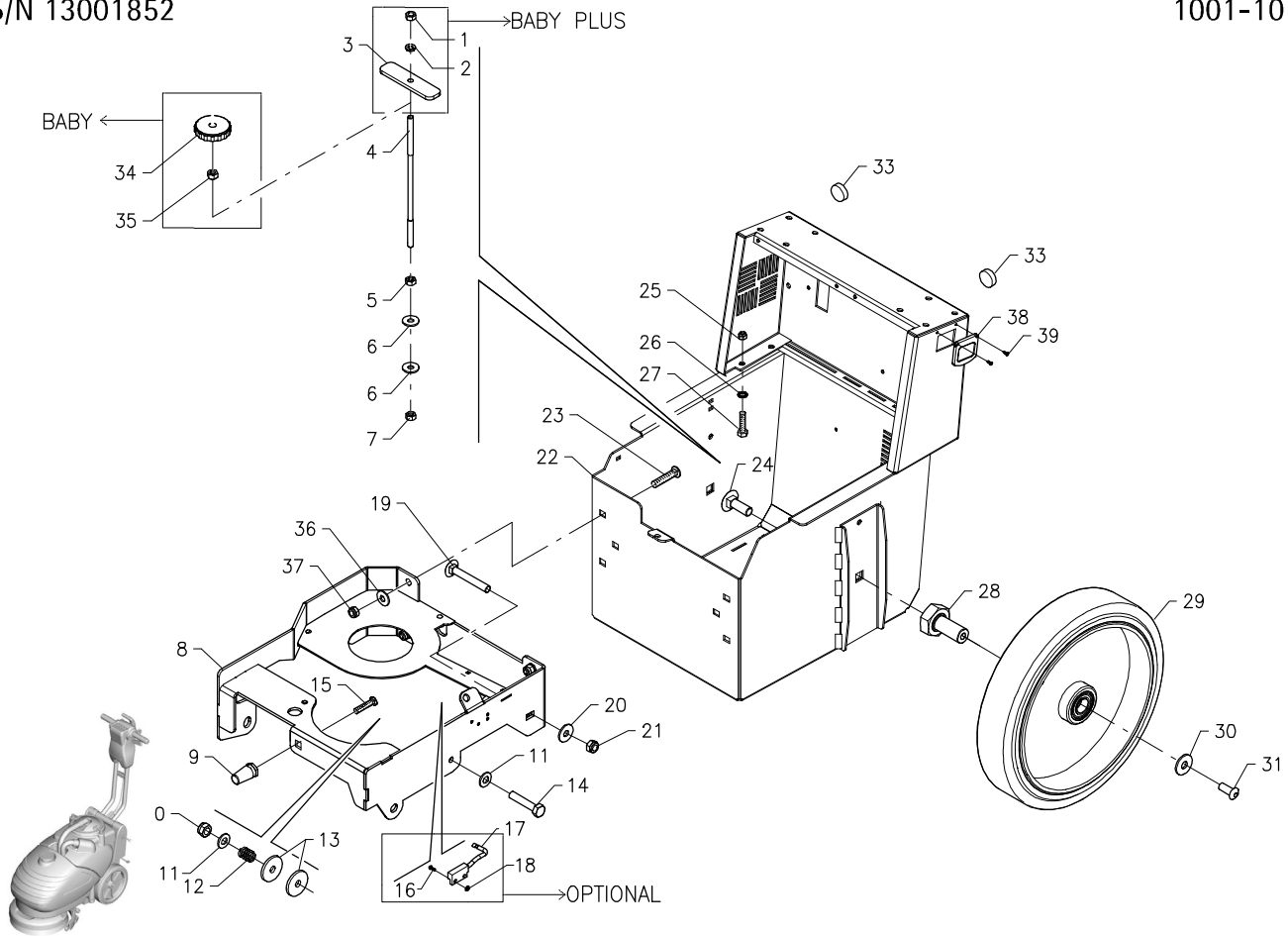
Return To TOC



Return To TOC

No.	Part No.	Qty	Description
1	60210607	1	Nut
2	60506005	1	Lock Washer
3	21001030	1	Plate
4	21001020	1	Tie Rod
5	60220603	1	Lock Nut
6	60306007	2	Washer
7	60220603	1	Lock Nut
8	46110100	1	Front Frame
9	21001010	1	Tank Pin
10	60220801	1	Lock Nut
11	60308004	2	Washer
12	47210070	1	Compression Spring
13	20102210	2	Washer
14	60110818	1	Screw M8 x 40
15	60100802	1	Screw M8 x 20
16 OPT	60140311	1	Screw M3 x 6
17 OPT	63720001	1	Magnetic Contact
18 OPT	60303002	1	Washer
19	60100613	2	Screw M6 x 35
20	60306010	2	Washer
21	60220603	2	Lock Nut
22	48010020	1	Battery Compartment
23	60100601	4	Screw M6 x 16
24	60101003	2	Screw M10 x 30
25	60210608	2	Nut
26	60506002	1	Lock Washer
27	60110612	1	Screw M6 x 30 INOX
28	21007020	2	Wheel Pin
29	46514010	2	Wheel M250 x 50
30	60308007	2	Washer INOX
31	60100803	2	Screw M8 x 20
33	62455010	2	Adhesive Plastic Cap
34	61706007	1	Handwheel
35	60220602	1	Lock Nut INOX
36	60306010	4	Washer
37	60220603	4	Lock Nut
38	21012050	1	Plug Protection
39	60190306	2	Screw M2.9 x 9.5

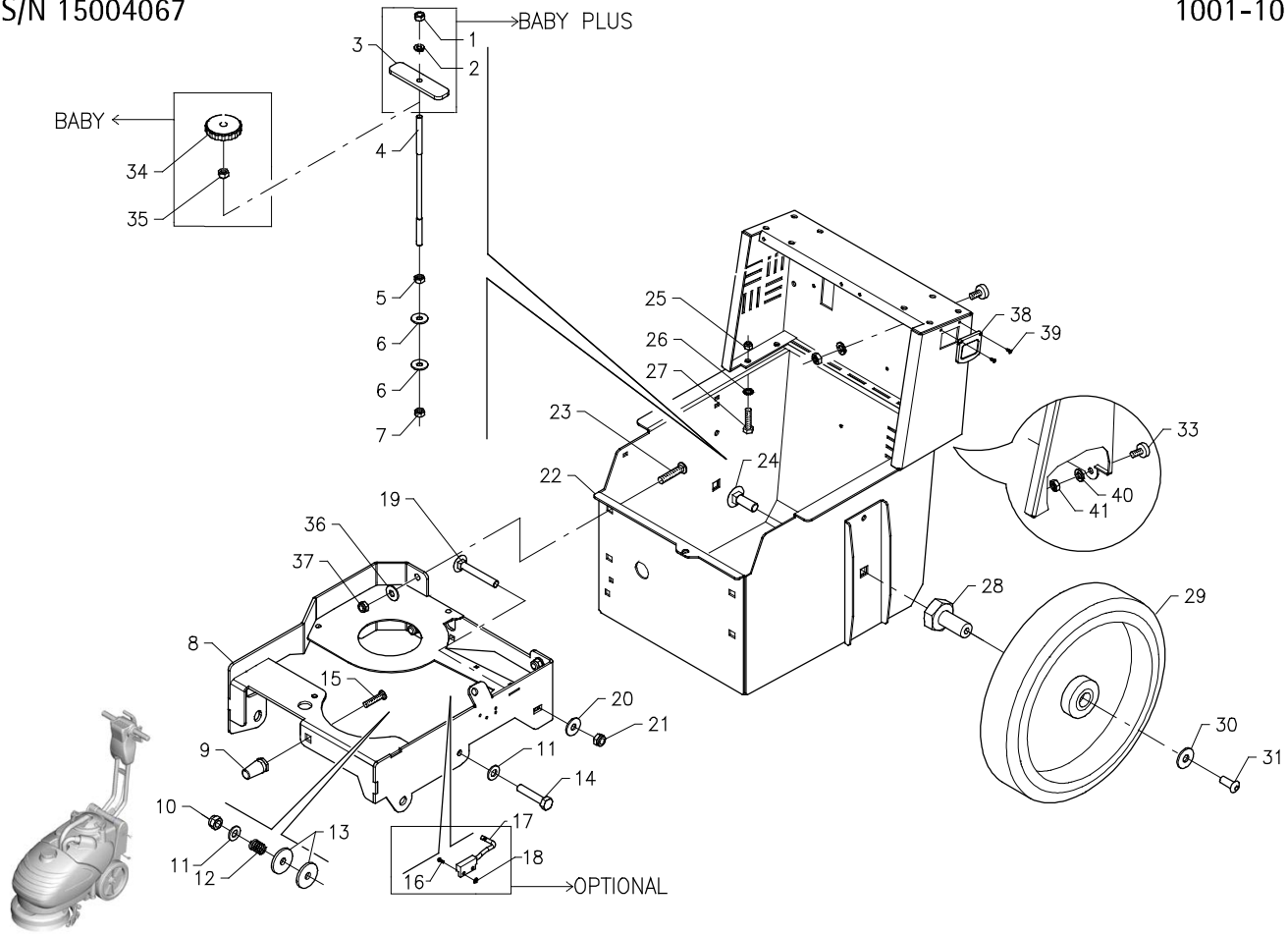
Return To TOC



Return To TOC

No.	Part No.	Qty	Description
1	60210607	1	Nut
2	60506005	1	Lock Washer
3	21001030	1	Plate
4	21001020	1	Tie Rod
5	60220603	1	Lock Nut
6	60306007	2	Washer
7	60220603	1	Lock Nut
8	46110100	1	Front Frame
9	21001010	1	Tank Pin
10	60220801	1	Lock Nut
11	60308004	2	Washer
12	47210070	1	Compression Spring
13	20102210	2	Washer
14	60110818	1	Screw M8 x 40
15	60100802	1	Screw M8 x 20
16 OPT	60140311	1	Screw M3 x 6
17 OPT	63720001	1	Magnetic Contact
18 OPT	60303002	1	Washer
19	60100613	2	Screw M6 x 35
20	60306010	2	Washer
21	60220603	2	Lock Nut
22	48010020	1	Battery Compartment
23	60100601	4	Screw M6 x 16
24	60101003	2	Screw M10 x 30
25	60210608	2	Nut
26	60506002	1	Lock Washer
27	60110612	1	Screw M6 x 30 INOX
28	21007020	2	Wheel Pin
29	46514020	2	Wheel M250 x 50
30	60308007	2	Washer INOX
31	60100803	2	Screw M8 x 20
33	62455010	2	Adhesive Plastic Cap
34	61706007	1	Handwheel
35	60220602	1	Lock Nut INOX
36	60306010	4	Washer
37	60220603	4	Lock Nut
38	21012050	1	Plug Protection
39	60190306	2	Screw M2.9 x 9.5

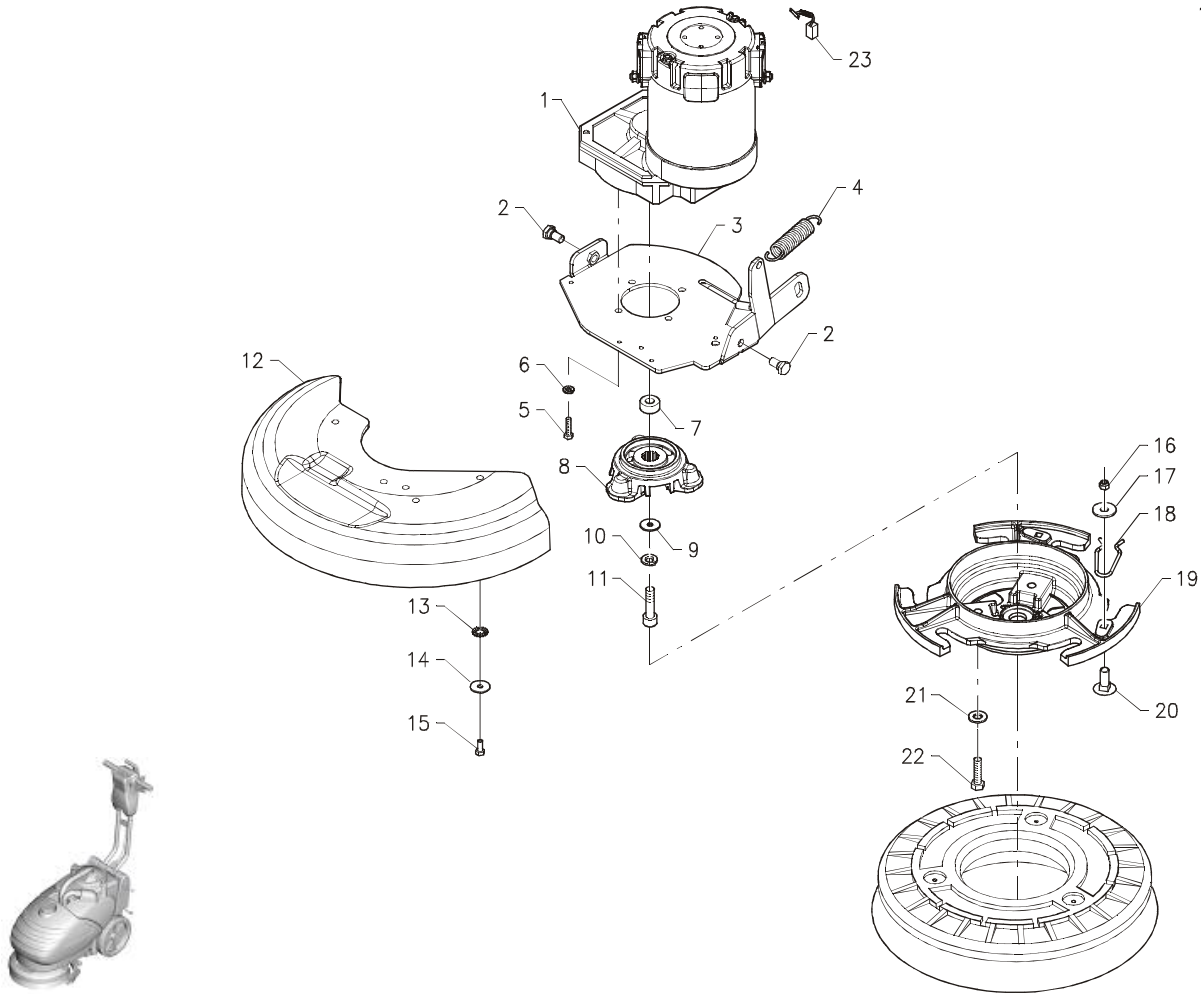
Return To TOC



Return To TOC

No.	Part No.	Qty	Description
1	60210607	1	Nut
2	60506005	1	Lock Washer
3	21001030	1	Stop
4	21001020	1	Tie Rod
5	60220603	1	Lock Nut
6	60306007	2	Washer
7	60220603	1	Lock Nut
8	46110110	1	Front Frame
9	21001010	1	Tank Pin
10	60220801	1	Lock Nut
11	60308004	2	Washer
12	47210070	1	Spring
13	20102210	2	Washer
14	60110818	1	Screw M 8 x 40
15	60100802	1	Screw M 8 x 20
16	60140311	1	Screw M 3 x 6
17	63720001	1	Microswitch
18	60303002	1	Washer
19	60100613	2	Screw M 6 x 35
20	60306010	2	Washer
21	60220603	2	Lock Nut
22	48010030	1	Battery Compartment
23	60100601	4	Screw M 6 x 16
24	60101003	2	Screw M 10 x 30
25	60210608	2	Nut
26	60506002	1	Lock Washer
27	60110612	1	Screw M 6 x 20
28	21007020	2	Wheel Pin
29	46514020	2	Rubber Wheel 10 x 2
30	60308007	2	Washer
31	60100803	2	Lock Nut INOX
33	62405001	2	Adhesive Plastic Cap
34	61706007	1	Handwheel
35	60220602	1	Nut
36	60306010	4	Washer
37	60220603	4	Lock Nut
38	21012050	1	Plug Protection
39	60190306	2	Screw M2.9 x 9.5
40	60506004	2	Lock Washer
41	60210608	2	Nut

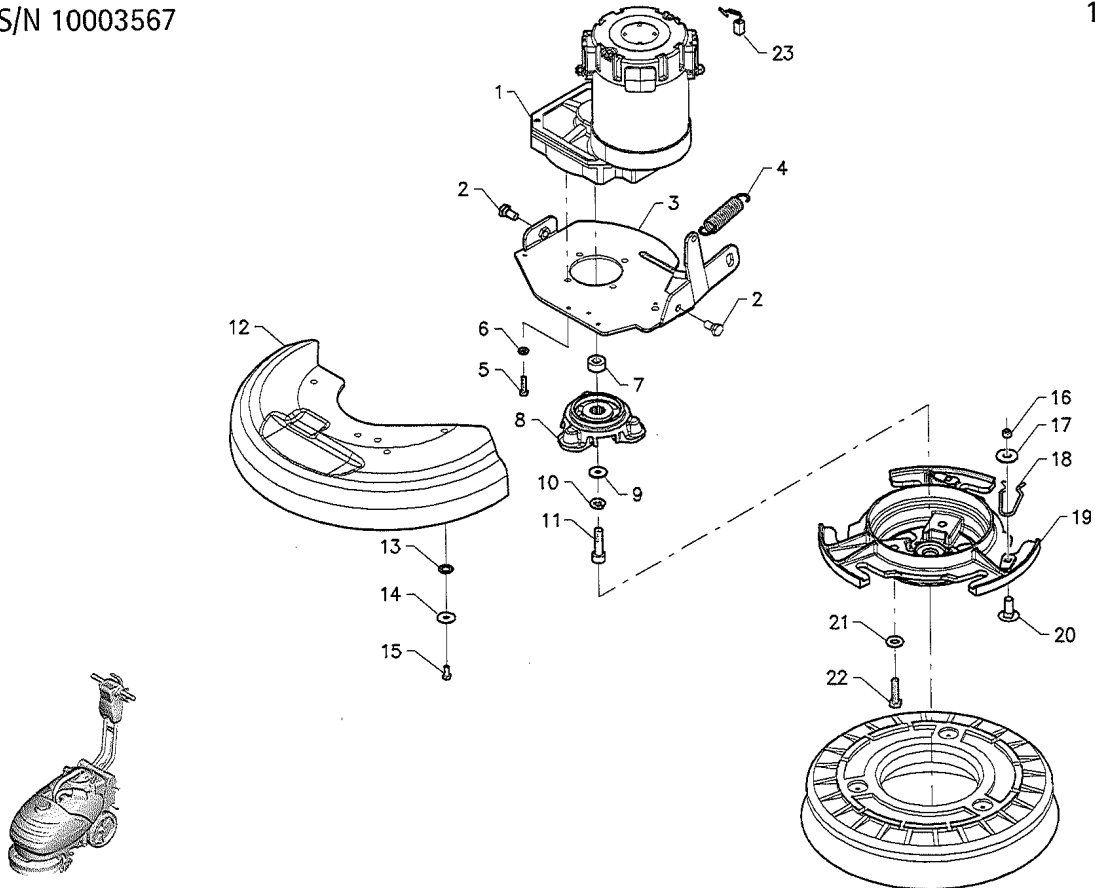
Return To TOC



Return To TOC

No.	Part No.	Qty	Description
1	46200300	1	Brush Motor 24V-200W
2	21002020	2	Stud Bolt
3	48510010	1	Brush Base
4	47220020	1	Traction Spring
5	60110606	1	Screw M6 x 14 INOX
6	60506007	1	Lock Washer INOX
7	47010010	1	Spacer
8	21002010	1	Flange
9	60308007	1	Washer INOX
10	60508006	1	Lock Washer INOX
11	60130802	1	Screw M 8 x 14 INOX
12	21002050	1	BRUSH COVER
13	60505001	1	Lock Washer
14	60305006	1	Washer INOX
15	60110503	1	Screw M5 x 12 INOX
16	60220602	1	Lock Nut INOX
17	60306011	1	Washer INOX
18	47230050	1	Blocking Spring Brush INOX
19	20302250	1	Brush Holder Plate (Plastic)
20	60100603	1	Screw M6 x 16 INOX
21	60508004	1	Conical Washer
22	60110808	1	Screw M8 x 25 INOX

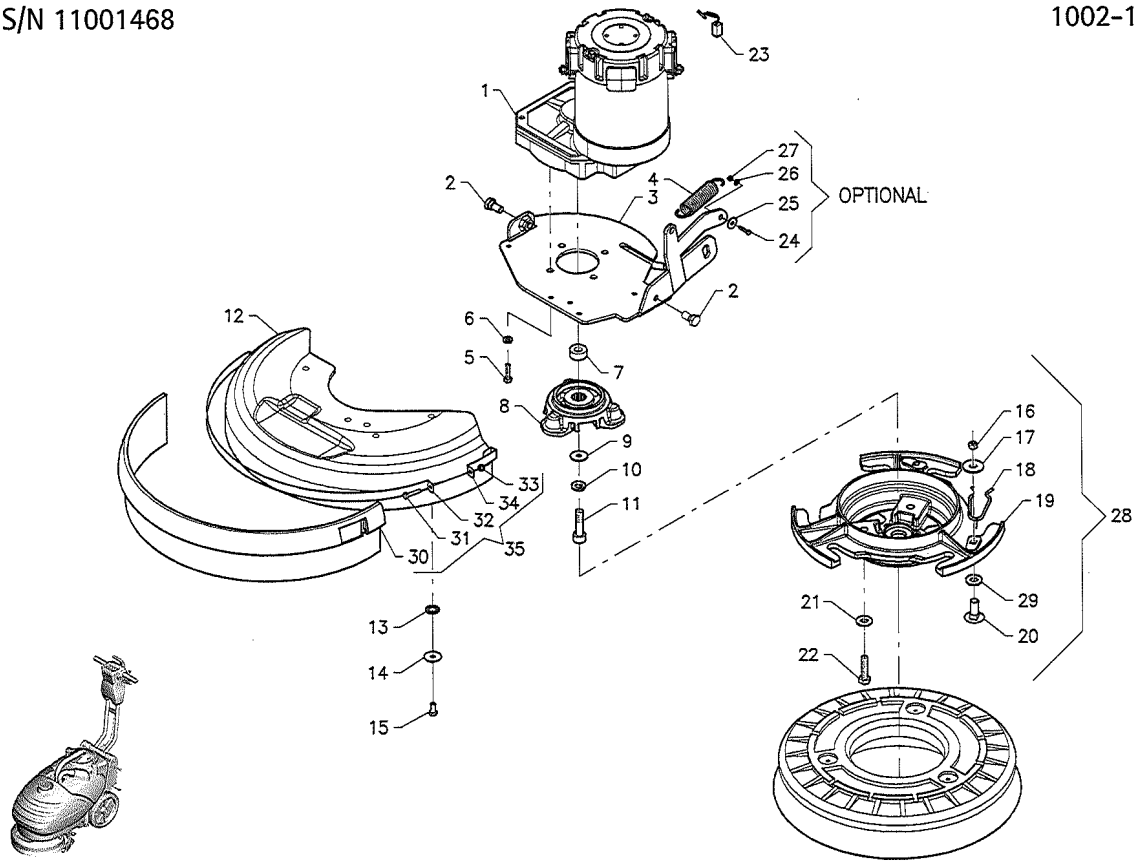
Return To TOC



Return To TOC

No.	Part No.	Qty	Description
1	46200300	1	Geared Motor
2	21002020	2	Stud Bolt
3	48510010	1	Brushes Base
4	47220020	1	Spring
5	60110606	1	Screw M 6x17 SS
6	60506007	1	Lock Washer SS
7	47010010	1	Spacer
8	21002010	1	Flange
9	60308007	1	Washer SS
10	60508006	1	Lock Washer SS
11	60130802	1	Screw M 8x14 SS
12	21002050	1	Brush Cover
13	60505001	1	Lock Washer
14	60305006	1	Washer SS
15	60110503	1	Screw M 5x12 SS
16	60220602	1	Lock Nut SS
17	60306011	1	Washer SS
18	47230100	1	Blocking Spring Brush
19	20302250	1	Brush Plate
20	60100603	1	Screw M 6x16 SS
21	60508004	1	Conical Washer
22	60110808	1	Screw M 8x25 SS
23	63607144	1	Carbon Brush Motor

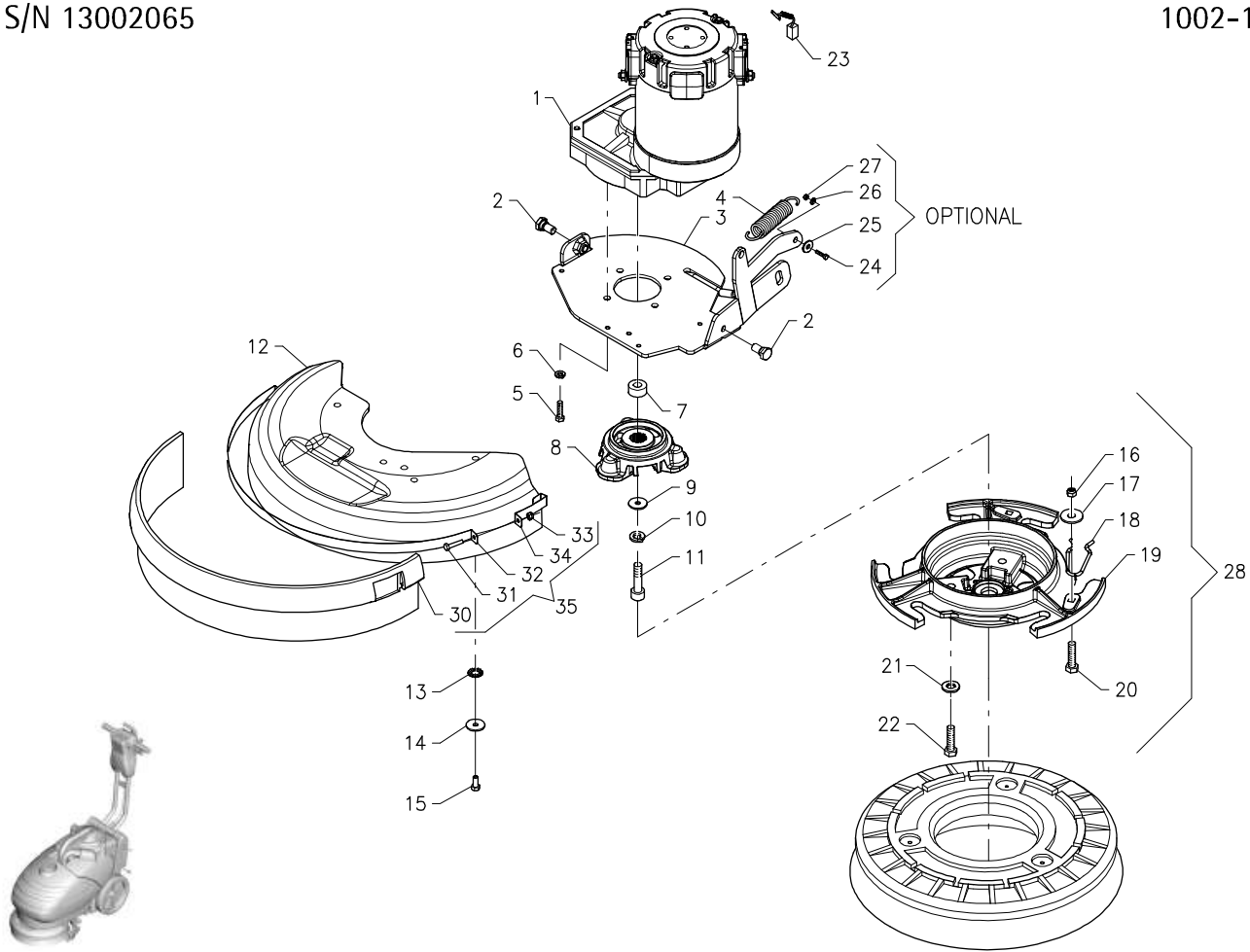
Return To TOC



Return To TOC

No.	Part No.	Qty	Description
1	46200300	1	Geared Motor
2	21002020	2	Stud Bolt
3	48510020	1	Brush Base
4	47220020	1	Spring
5	60110606	5	Screw M 6 x 14 INOX
6	60506007	4	Lock Washer INOX
7	47010010	1	Spacer
8	21002010	1	Flange
9	60308007	1	Washer INOX
10	60508006	1	Lock Washer INOX
11	60130802	1	Screw M 8 x 14 INOX
12	21002060	1	Brush Cover
13	60505003	3	Lock Washer INOX
14	60305006	3	Washer INOX
15	60110503	3	Screw M 5 x 12 INOX
16	60220602	1	Lock Nut INOX
17	60306011	1	Washer INOX
18	47230100	1	Blocking Spring Brush
19	20302250	1	Brush Plate
20	60100603	1	Screw M 6 x 16 INOX
21	60508004	3	Conical Washer
22	60110808	3	Screw M 8 x 25 INOX
23	63607144	2	Carbon Brush Motor
24	60110302	1	Screw M3 x 12 INOX
25	63720002	1	Magnet for Sensor
26	60303002	1	Washer
27	60220301	1	Lock Nut
28	V1002002	1	Brush Plate Assembly
29	60308003	1	Washer INOX
30	48610010	1	Optional Splash Guard
31	60110406	1	Screw M4 x 20 INOX
32	21002070	1	Blade Splash Guard Long
33	60210401	1	Nut INOX
34	21002080	1	Blade Splash Guard Short
35	V1002001	1	Optional Spalsh Guard Assembly

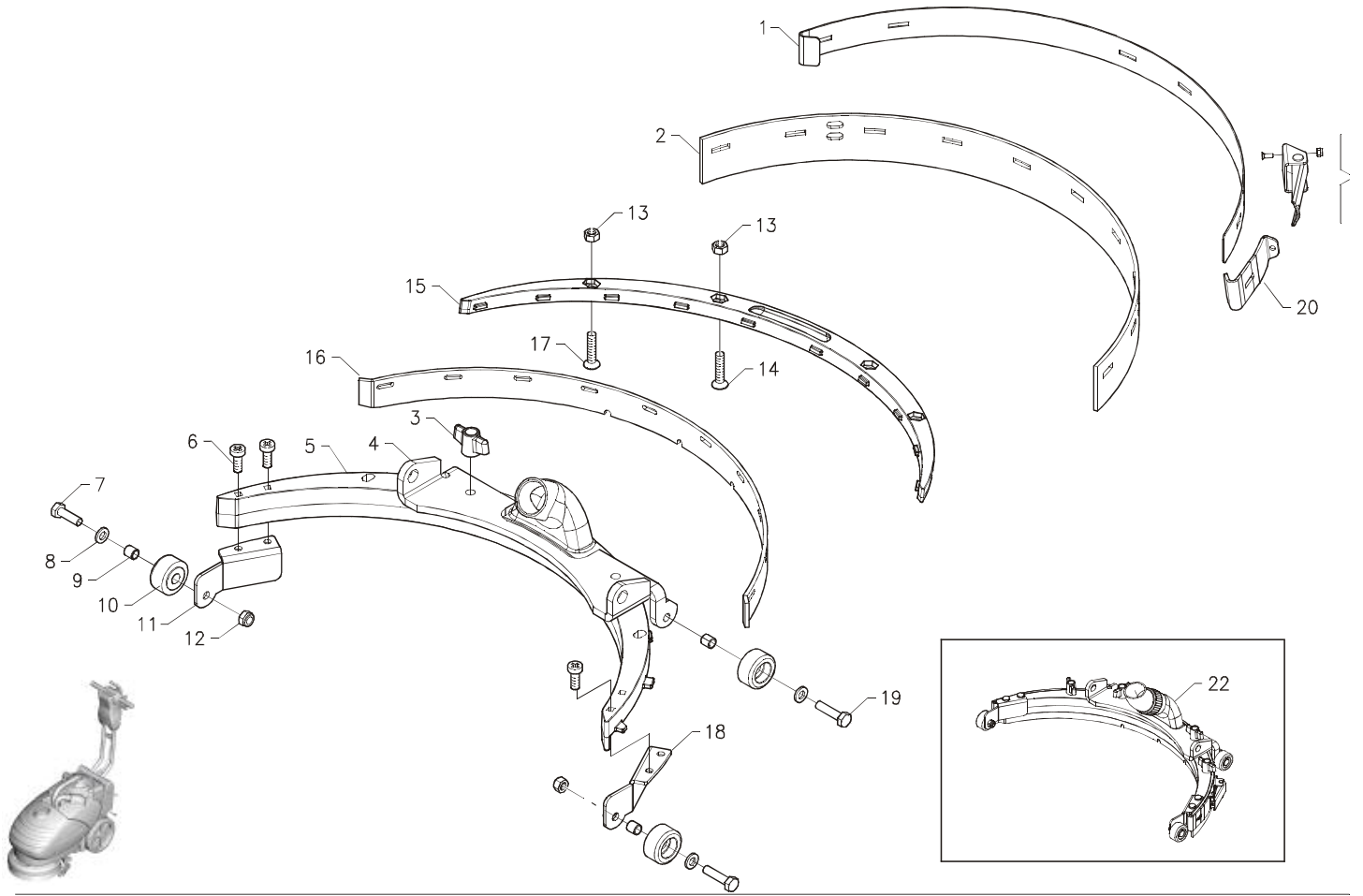
Return To TOC



Return To TOC

No.	Part No.	Qty	Description
1	46200300	1	Geared Motor
2	21002020	2	Stud Bolt
3	48510020	1	Brush Base
4	47220020	1	Spring
5	60110606	5	Screw M 6 x 14 INOX
6	60506007	4	Lock Washer INOX
7	47010010	1	Spacer
8	21002010	1	Flange
9	60308007	1	Washer INOX
10	60508006	1	Lock Washer INOX
11	60130802	1	Screw M 8 x 14 INOX
12	21002060	1	Brush Cover
13	60505003	3	Lock Washer INOX
14	60305006	3	Washer INOX
15	60110503	3	Screw M 5 x 12 INOX
16	60220602	1	Lock Nut INOX
17	60306011	1	Washer INOX
18	47230100	1	Blocking Spring Brush
19	20302250	1	Brush Plate
20	60110606	1	Screw M 6 x 14 INOX
21	60508004	3	Conical Washer
22	60110808	3	Screw M 8 x 25 INOX
23	63607144	2	Carbon Brush Motor
24	60110302	1	Screw M3 x 12 INOX
25	63720002	1	Magnet for Sensor
26	60303002	1	Washer
27	60220301	1	Lock Nut
28	V1002002	1	Brush Plate Assembly
30	48610010	1	Optional Splash Guard
31	60110406	1	Screw M4 x 20 INOX
32	21002070	1	Blade Splash Guard Long
33	60210401	1	Nut INOX
34	21002080	1	Blade Splash Guard Short
35	V1002001	1	Splash Guard Assembly

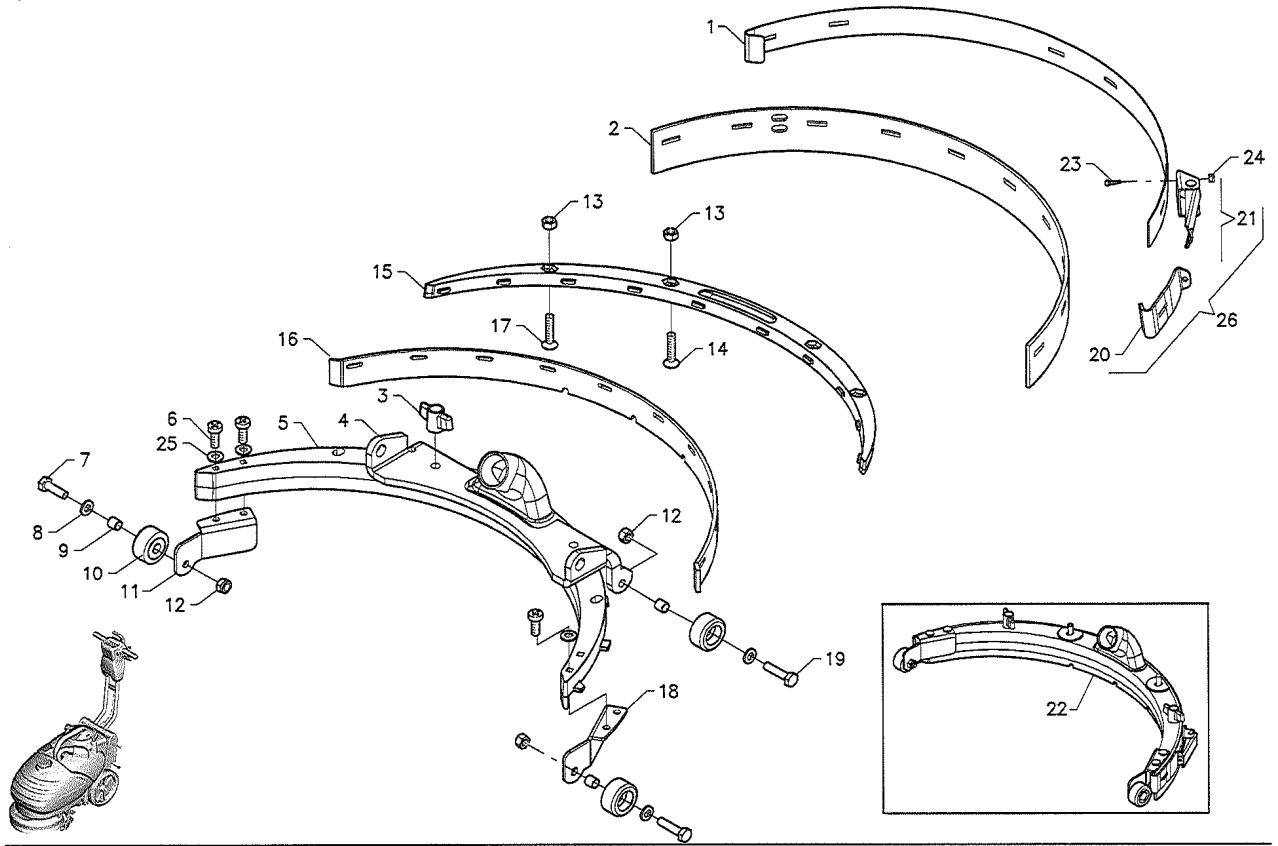
Return To TOC



Return To TOC

No.	Part No	Qty	Description
1	48310010	1	Rear blade
2	48410020	1	Rear Squeegee Rubber
3	61706004	4	Wing Nut INOX
4	21005030	1	Squeegee Coupling
5	48210010	1	Squeegee Body
6	60140509	1	Screw M5 X12 INOX
7	60110611	1	Screw M6 x 20 INOX
8	60306005	1	Washer INOX
9	47110010	1	Bushing
10	46550010	4	Soft Wheel
11	21004020	1	Right Wheel Support
12	60220602	1	Lock Nut INOX
13	60210601	1	Nut INOX
14	60170606	1	Screw M6 X 40 INOX
15	48210020	1	Inner Rubber Holder
16	48410010	1	Front Squeegee Rubber (Soft)
17	60170605	1	Screw M6 x 35 INOX
18	21004030	1	Left Wheel Support
19	60110616		Screw M6 x 25 INOX
20	21004010	1	Rear Coupler
22	V8210020	1	Squeegee Assembly

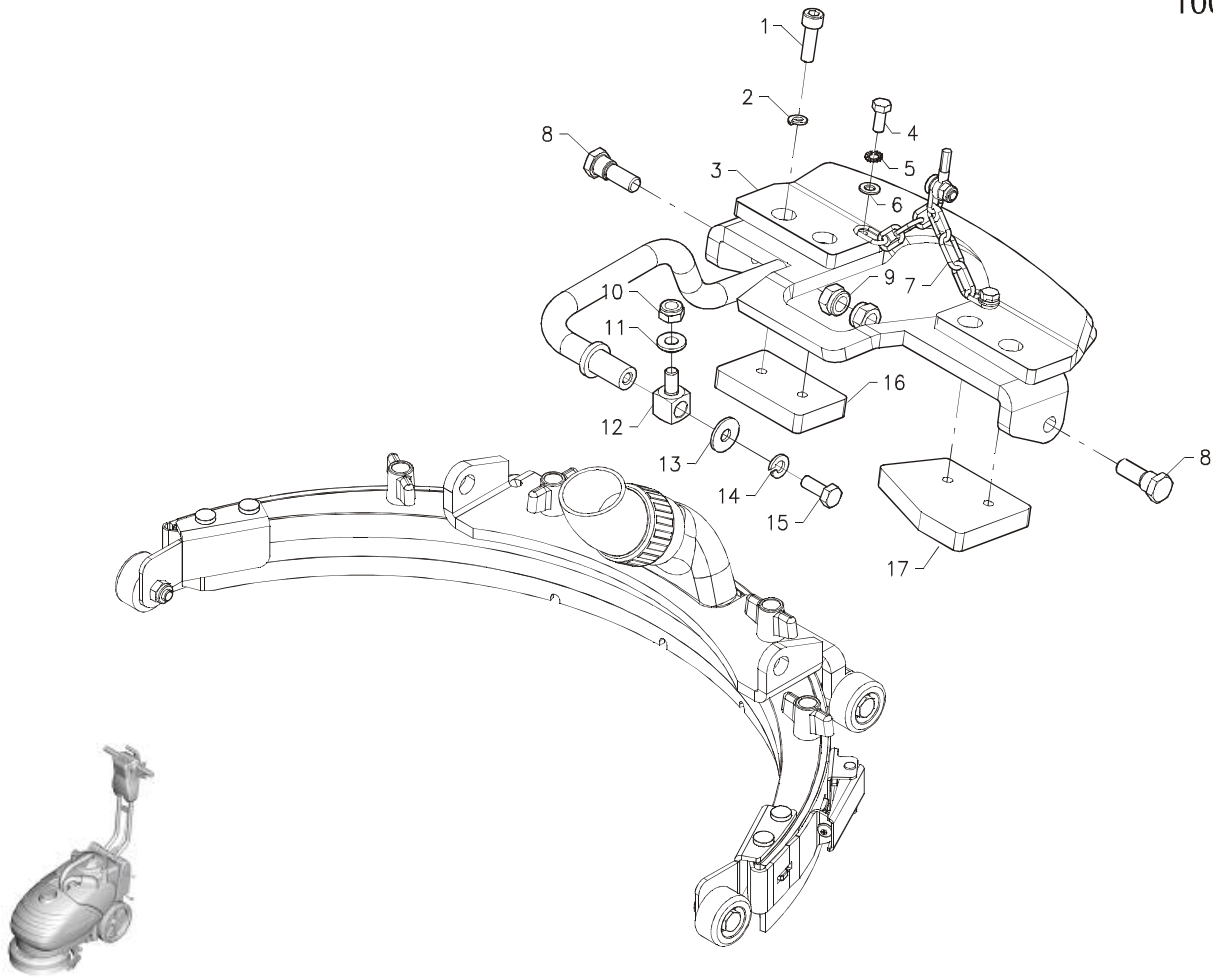
Return To TOC



Return To TOC

No.	Part No.	Qty	Description
1	48310010	1	Rear Blade
2	48410060	1	Rear Squeegee Rubber
3	61706004	1	Wing Nut INOX
4	21005030	1	Squeegee coupling
5	48210010	1	Squeegee Body
6	60140509	1	Screw M5x12 INOX
7	60110611	2	Screw M6x20 INOX
8	60306005	2	Washer M6x12x1.6 INOX
9	47110010	2	Bushing
10	46550010	4	Wheel M27x13
11	21004020	1	Right Wheel Support
12	60220602	2	Lock Nut INOX
13	60210601	1	Nut M6 INOX
14	60170606	2	Screw M6x40 INOX
15	48210020	1	Inner Rubber Holder Support
16	48410010	1	Front Squeegee Rubber
17	60170605	2	Screw M6x35 INOX
18	21004030	1	Left Wheel Support
19	60110616	2	Screw M6x25 INOX
20	21004010	1	Rear Coupler
21	62200006	1	Closing INOX
22	V8210030	1	Squeegee Assembly
23	60140201	1	Screw M2.5x6 INOX
24	60210601	1	Nut INOX

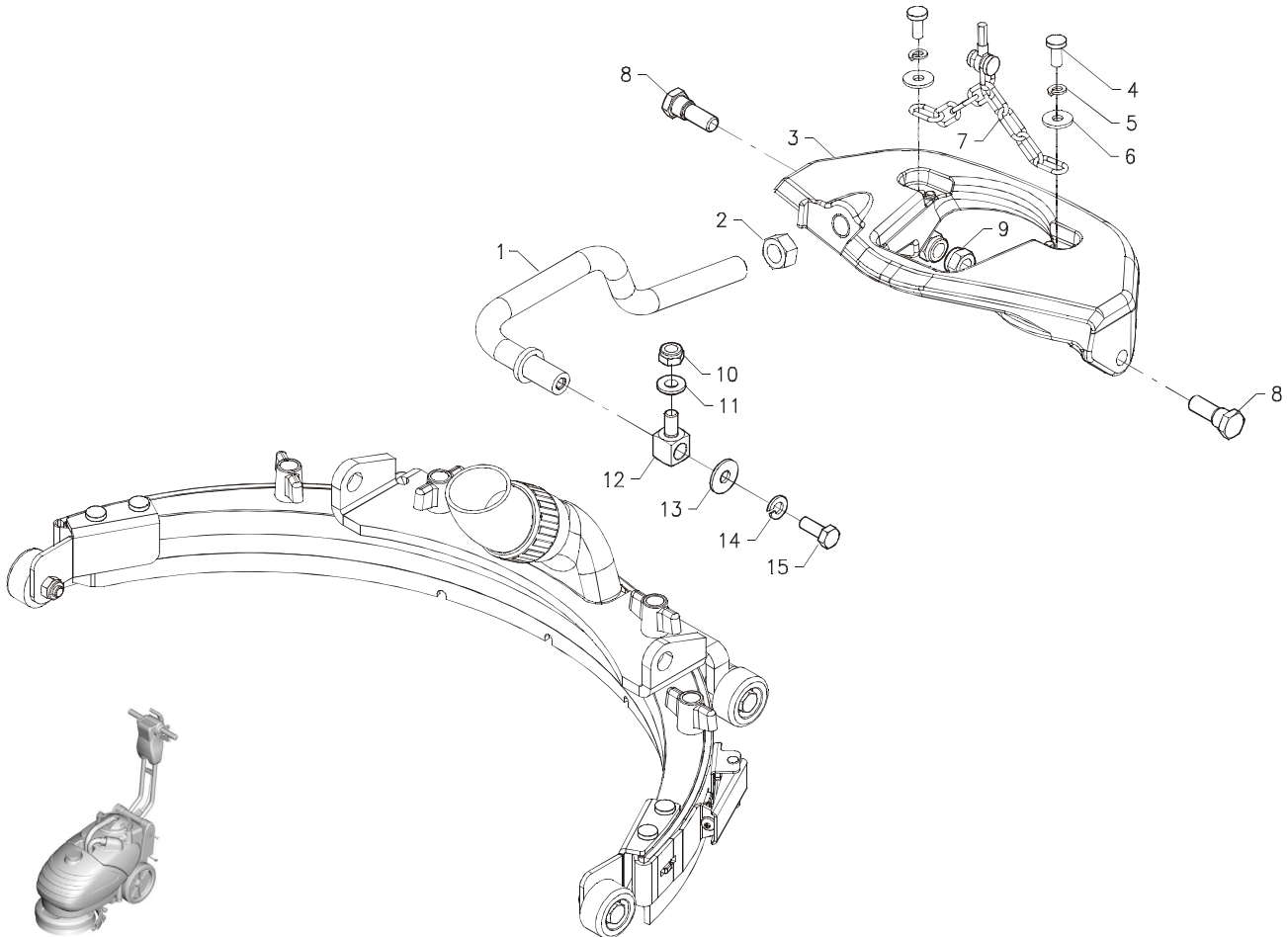
Return To TOC



Return To TOC

No.	Part No.	Qty	Description
1	60130603	1	Screw M6 x 20
2	60505003	1	Lock Washer INOX
3	21005020	1	Squeegee Arm
4	60110503	1	Screw M5 x 12 INOX
5	60505003	1	Lock Washer INOX
6	60305002	1	Washer INOX
7	21005100	1	Chain
8	20203050	1	Stud Bolt
9	60220801	1	Lock Nut
10	60221002	1	Lock Nut
11	47110020	1	Brass bushing
12	21005010	1	Arm Joint
13	60306007	1	Washer
14	60506005	1	Lock Washer
15	60110608	1	Screw M6 x 16
16	21005080	1	Squeegee Arm Weight Right
17	21005090	1	Squeegee Arm Weight Left

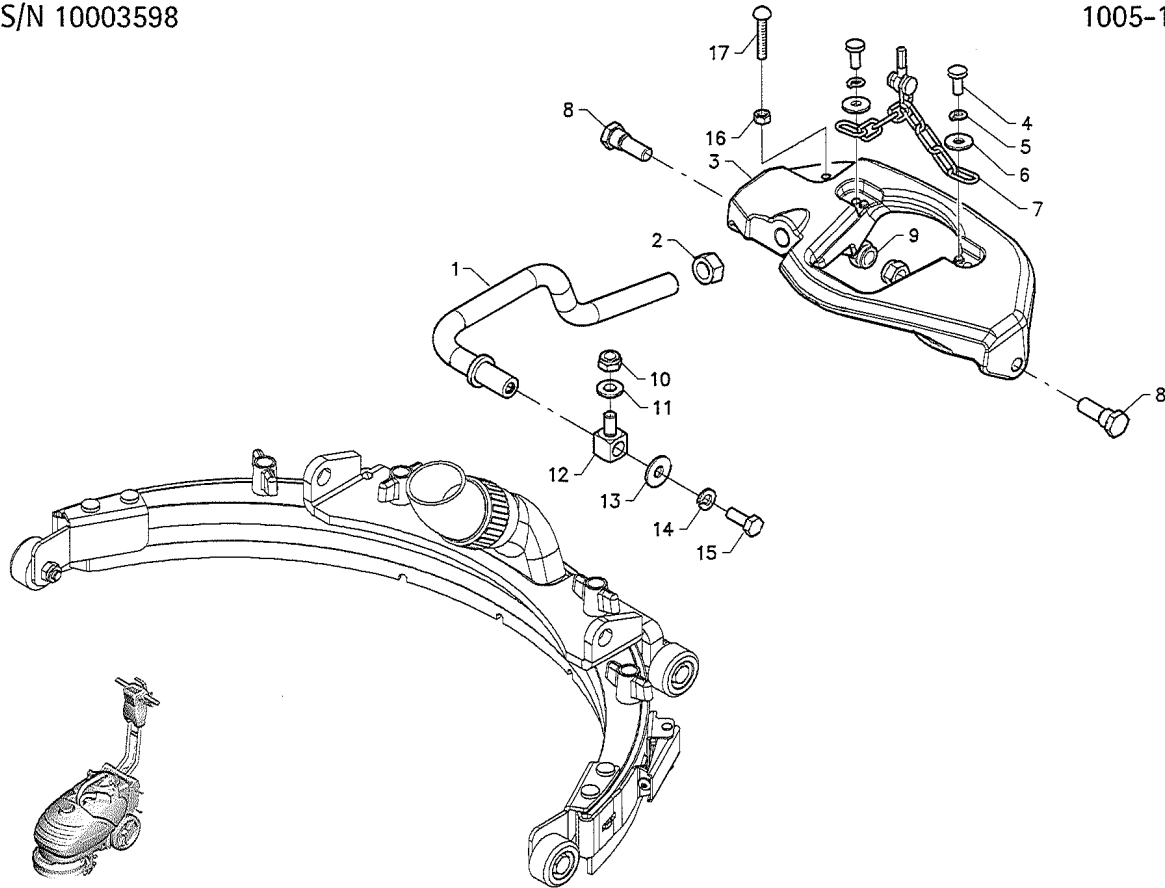
Return To TOC



Return To TOC

No.	Part No.	Qty	Description
1	21005120	1	Squeegee Arm
2	60211202	1	Nut
3	21005110	1	Squeegee Arm Weight
4	60140509	1	Screw M5 x 12 INOX
5	60505003	1	Lock Washer INOX
6	60305003	1	Washer INOX
7	21005100	1	Chain
8	20203050	2	Stud Bolt
9	60220803	1	Lock Nut INOX
10	60221002	1	Lock Nut
11	47110020	1	Brass Bushing
12	21005010	1	Arm Joint
13	60306007	1	Washer
14	60506005	1	Lock Washer
15	60110608	1	Screw M6 x 16

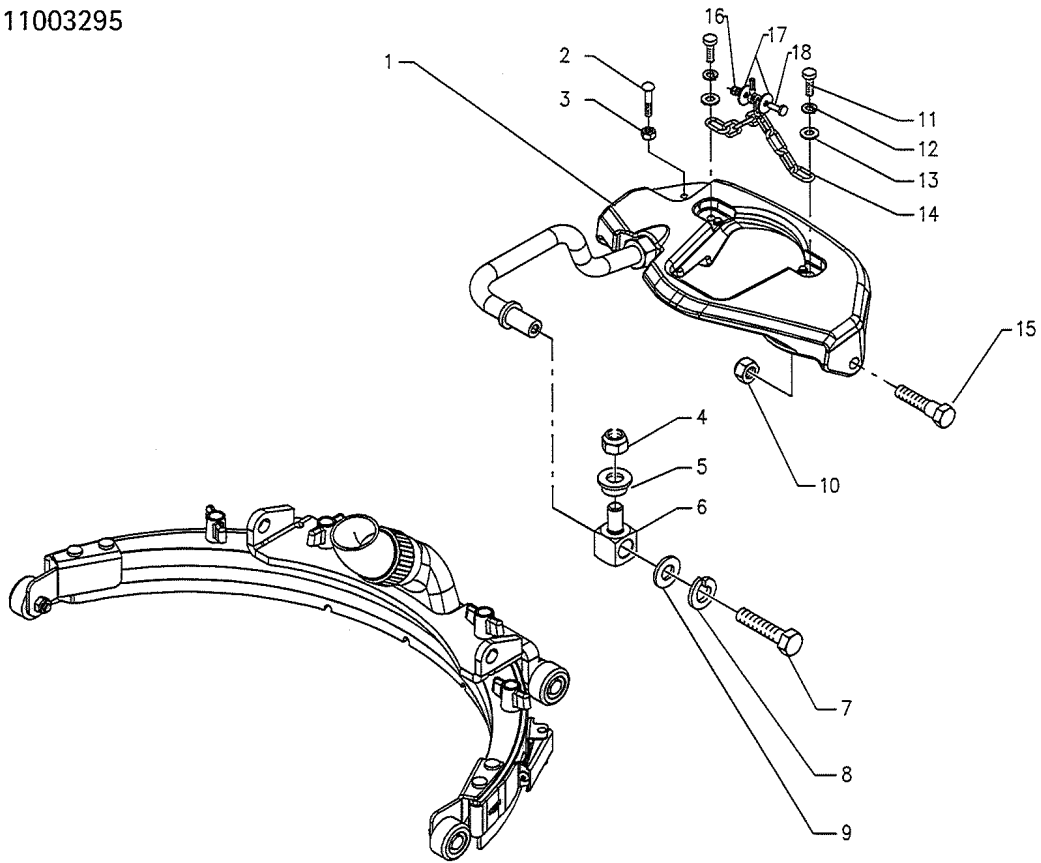
Return To TOC



Return To TOC

No.	Part No.	Qty	Description
1	21005120	1	Squeegee Arm
2	60211202	1	Nut
3	21005110	1	Squeegee Arm Weight
4	60140509	2	Screw M 5x12 SS
5	60505003	2	Lock Washer SS
6	60305003	2	Washer M5x15x1.5 SS
7	21005100	1	Chain
8	20203050	2	Stud Bolt
9	60220803	2	Lock Nut INOX
10	60221002	1	Lock Nut
11	47110020	1	Brass Bushing
12	21005010	1	Arm Joint
13	60306007	1	Washer M6x18x1.5
14	60506005	1	Lock Washer
15	60110608	1	Screw M 6x16
16	60210501	1	Nut INOX
17	60140513	1	Screw M5x30

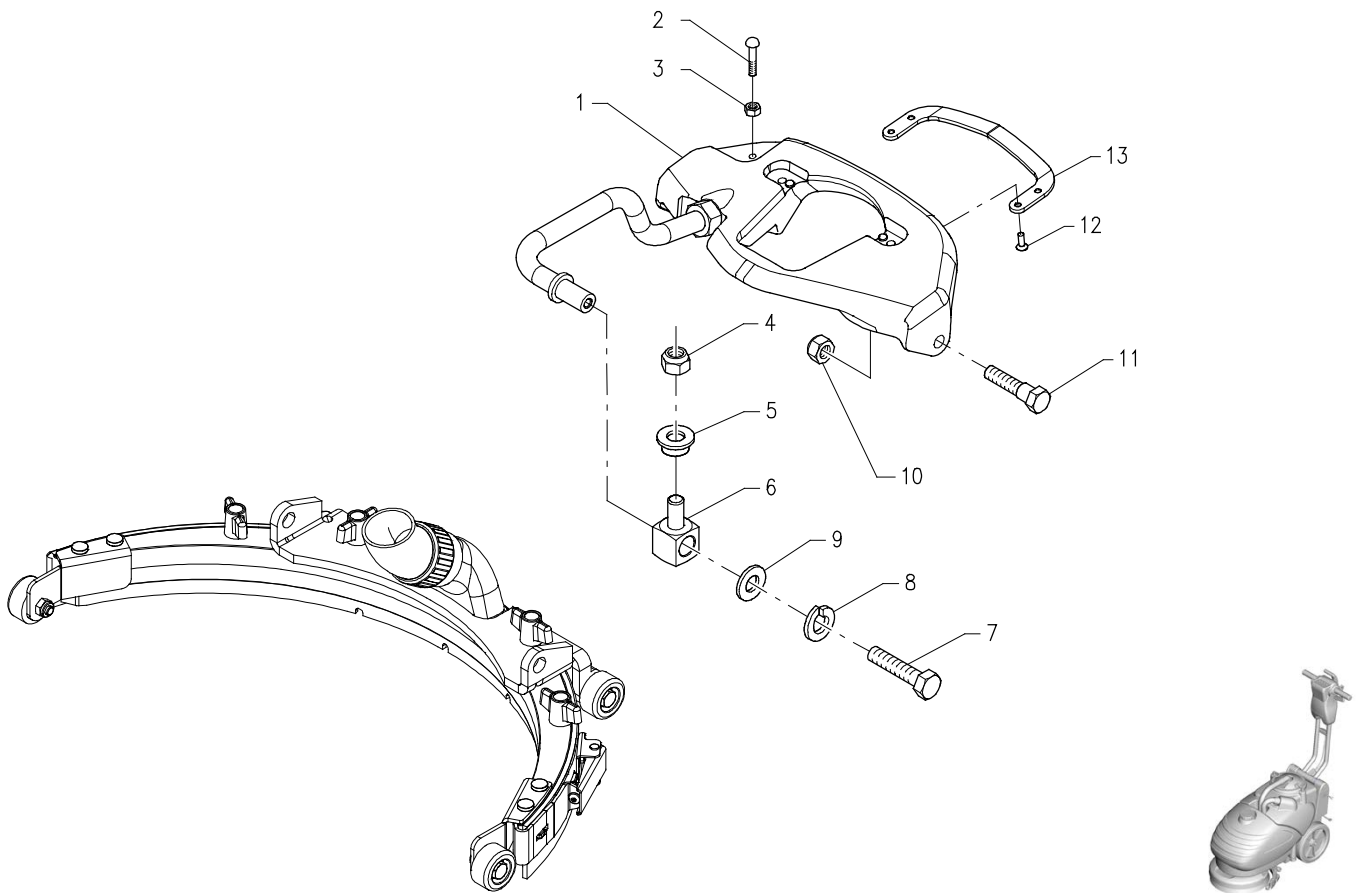
Return To TOC



Return To TOC

No.	Part No.	Qty	Description
1	V1005001	1	Squeegee Arm Assembly
2	60140513	1	Screw M5x30
3	60210503	1	Nut
4	60221002	1	Lock Nut
5	47110020	1	Brass Bushing
6	21005010	1	Arm Joint
7	60110608	1	ScrewM6x16
8	60506005	1	Lock Washer
9	60306007	1	Washer
10	60220803	2	Lock Nut INOX
11	60140503	2	Screw M5x12
12	60505003	2	Lock Washer INOX
13	60305003	2	Washer INOX
14	21005100	1	Chain
15	20203050	2	Stud Bolt
16	60140505	1	Screw M5x16
17	60305005	2	Washer
18	60220502	1	Lock Nut INOX

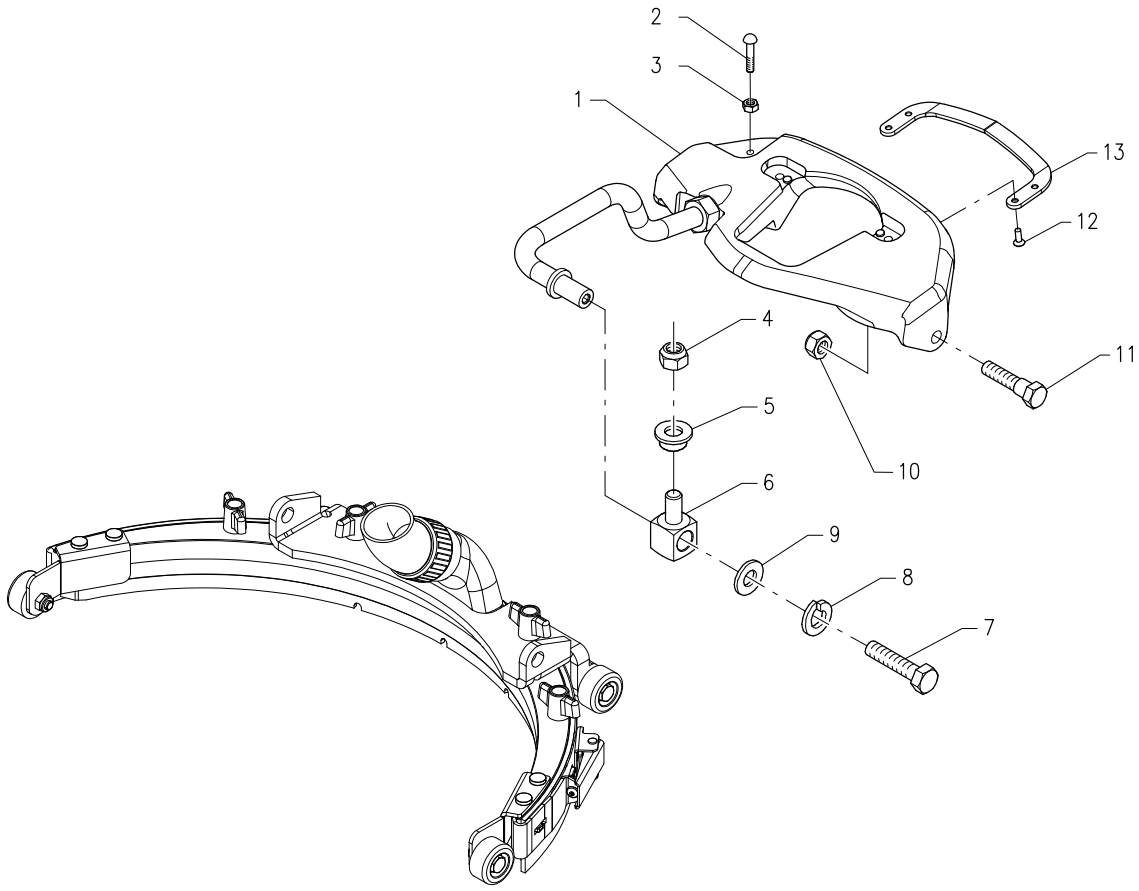
Return To TOC



Return To TOC

No.	Part No.	Qty	Description
1	V1005001	1	Squeegee Arm Assembly
2	60140513	1	Screw M5 x 30 INOX
3	60210503	1	Nut
4	60221002	1	Lock Nut
5	47110020	1	Brass Bushing
6	21005010	1	Arm Joint
7	60110608	1	Screw M6 x 16
8	60506005	1	Lock Washer
9	60306007	1	Washer
10	60220803	2	Lock Nut INOX
11	20203050	2	Stud Bolt
12	60180401	4	Screw M4 x 12 INOX
13	21005170	1	U-Support Squeegee Lifting

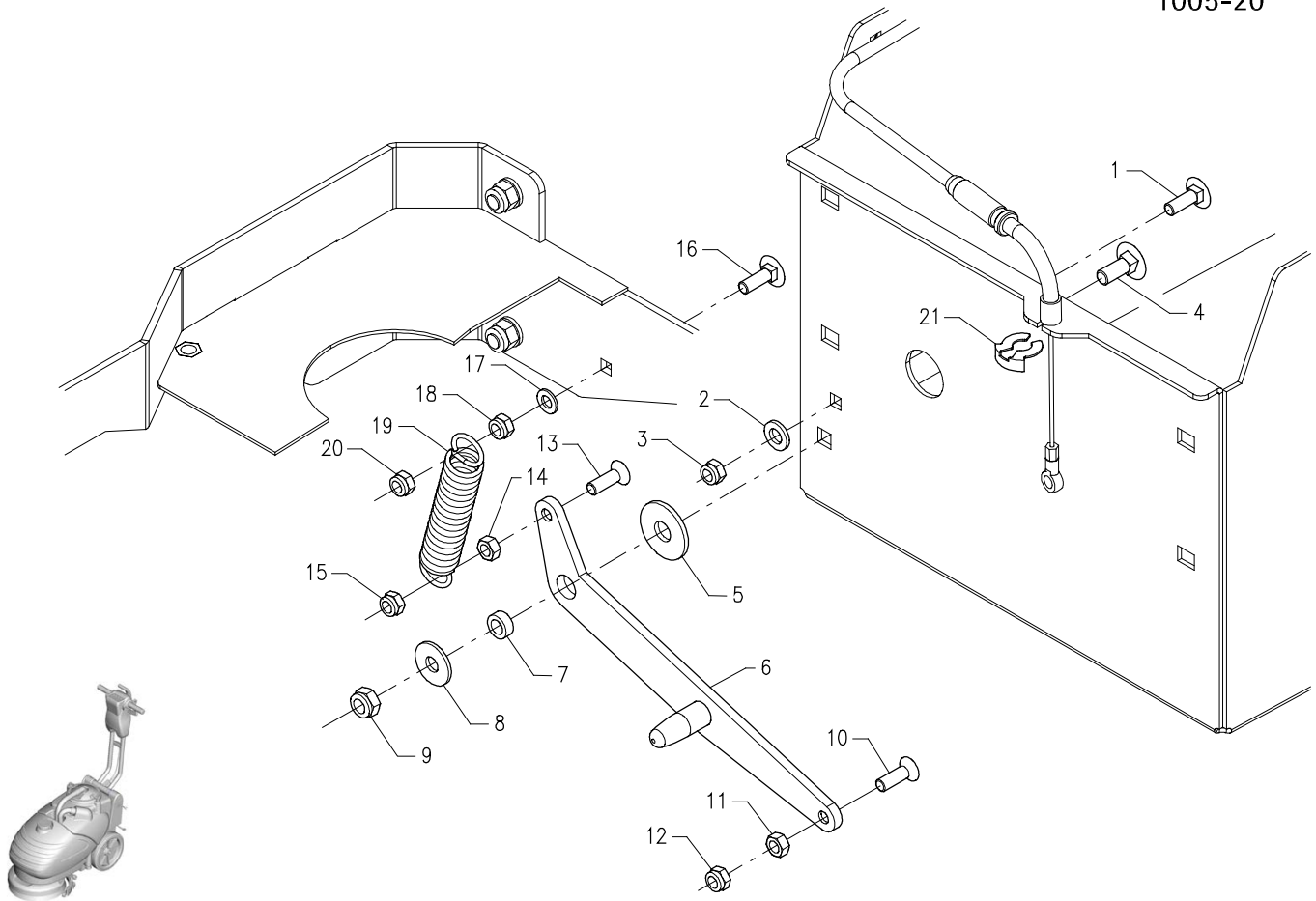
Return To TOC



Return To TOC

No.	Part No.	Qty	Description
1	V1005001	1	Squeegee Arm Assembly
2	60140513	1	Screw M5 x 30 INOX
3	60210503	1	Nut
4	60221002	1	Lock Nut
5	47110020	1	Brass bushing
6	21005010	1	Arm Joint
7	60110608	1	Screw M6 x 16
8	60506005	1	Lock Washer
9	60306007	1	Washer
10	60220803	2	Lock Nut INOX
11	20203050	2	Stud Bolt
12	60170405	4	Screw M4 x 12 INOX
13	21005170	1	U-Support Squeegee Lifting

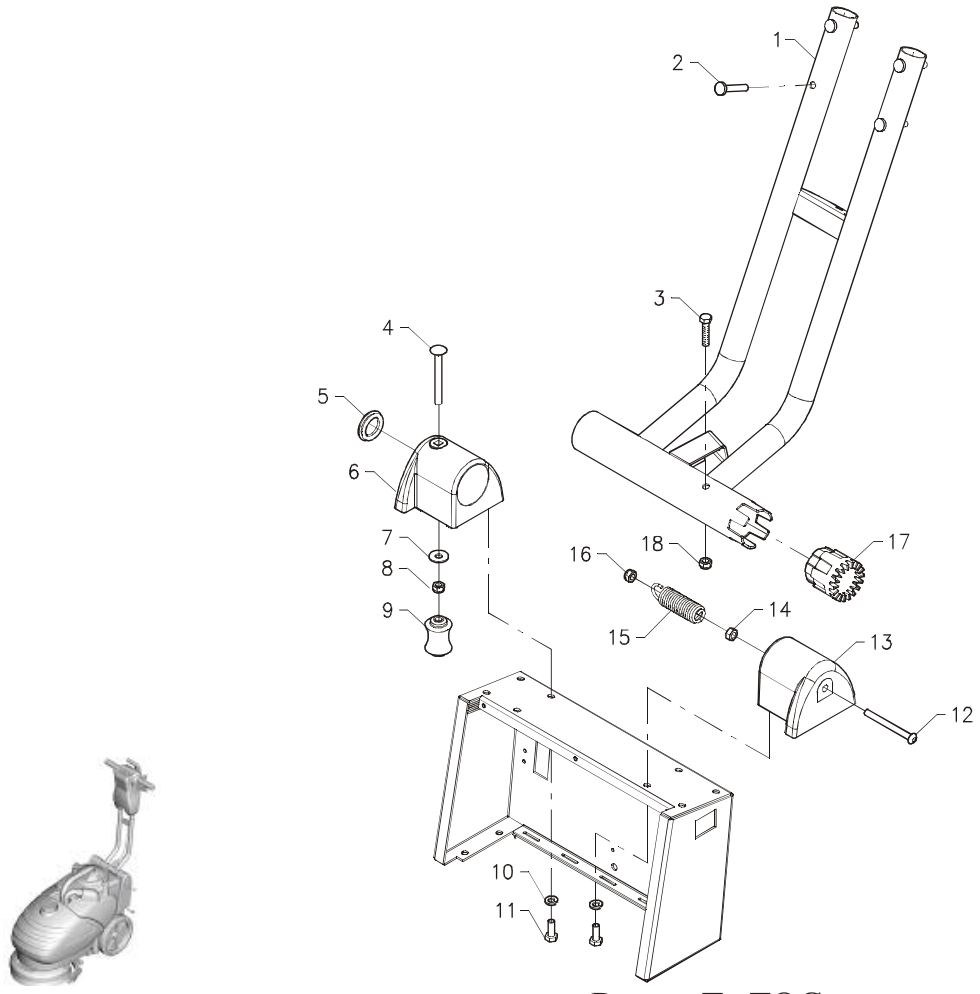
Return To TOC



Return To TOC

No	Part No.	Qty	Description
1	60100504	1	Screw M5 x 16 INOX
2	60306005	1	Washer INOX
3	60220503	1	Lock Nut INOX
4	60100603	1	Screw M6 x 16 INOX
5	60308007	1	Washer INOX
6	21005160	1	Squeegee Lifting Lever
7	47113020	1	Bushing
8	60306008	1	Washer INOX
9	60220602	1	Lock Nut INOX
10	60180504	1	Screw M5 x 18 INOX
11	60210501	1	Nut INOX
12	60220503	1	Lock Nut INOX
13	60180503	1	Screw M5 x 16 INOX
14	60210501	1	Nut INOX
15	60220503	1	Lock Nut INOX
16	60100503	1	Screw INOX
17	60306005	1	Washer INOX
18	60220503	1	Lock Nut INOX
19	47220040	1	Traction Spring
20	60220503	1	Lock Nut INOX
21	62120604	1	Spring Clip

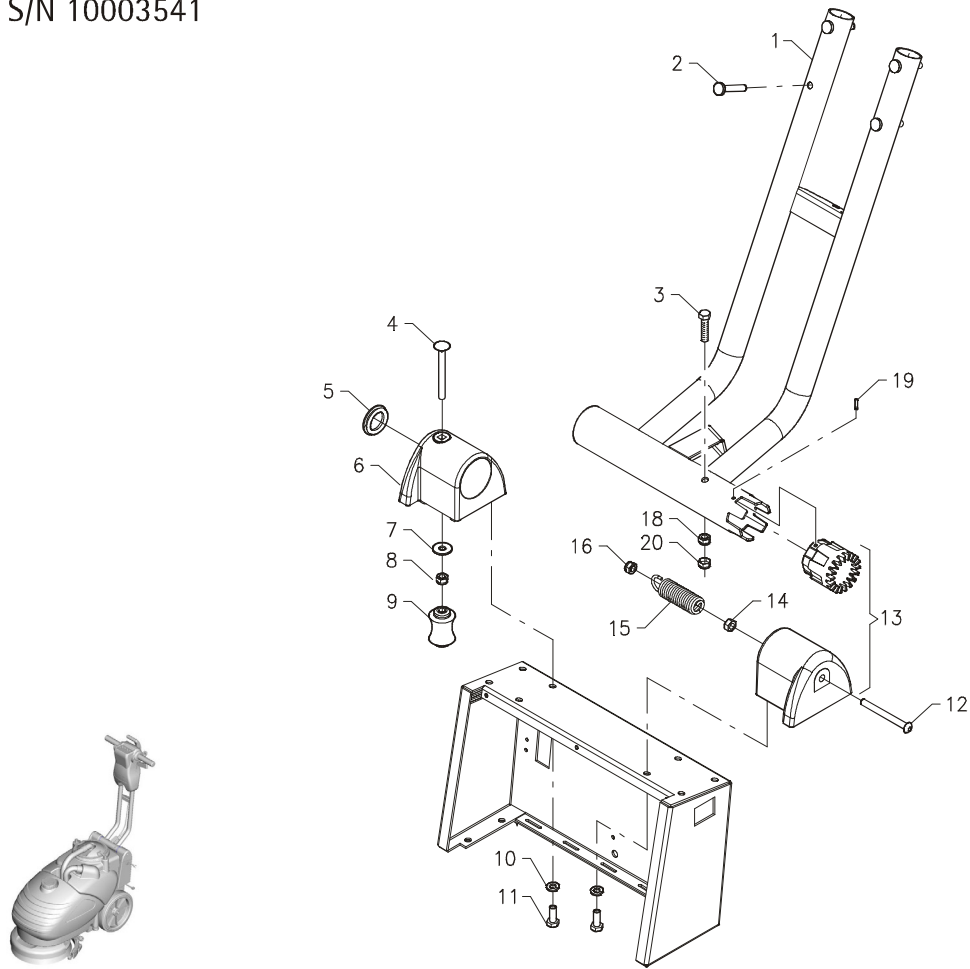
Return To TOC



Return To TOC

No.	Part No.	Qty	Description
1	21009010	1	Pipe Handlebar Support
2	60110619	1	Screw M6 x 35
3	60110627	1	Screw M6 x 50
4	60100618	1	Screw M6 X 60
5	62030020	1	Cover
6	21009020	1	Right Handlebar Support
7	60306007	1	Washer
8	60220603	1	Lock Nut
9	21009040	1	Reel
10	60506005	8	Lock Washer
11	60110608	8	Screw M6 x 16
12	60100696	1	Screw M6 x 60
13	V1009010	1	Toothed Support Assembly
14	60210608	1	Nut
15	47220090	1	Traction Spring
16	60220601	1	Lock Nut
18	60220603	1	Lock Nut

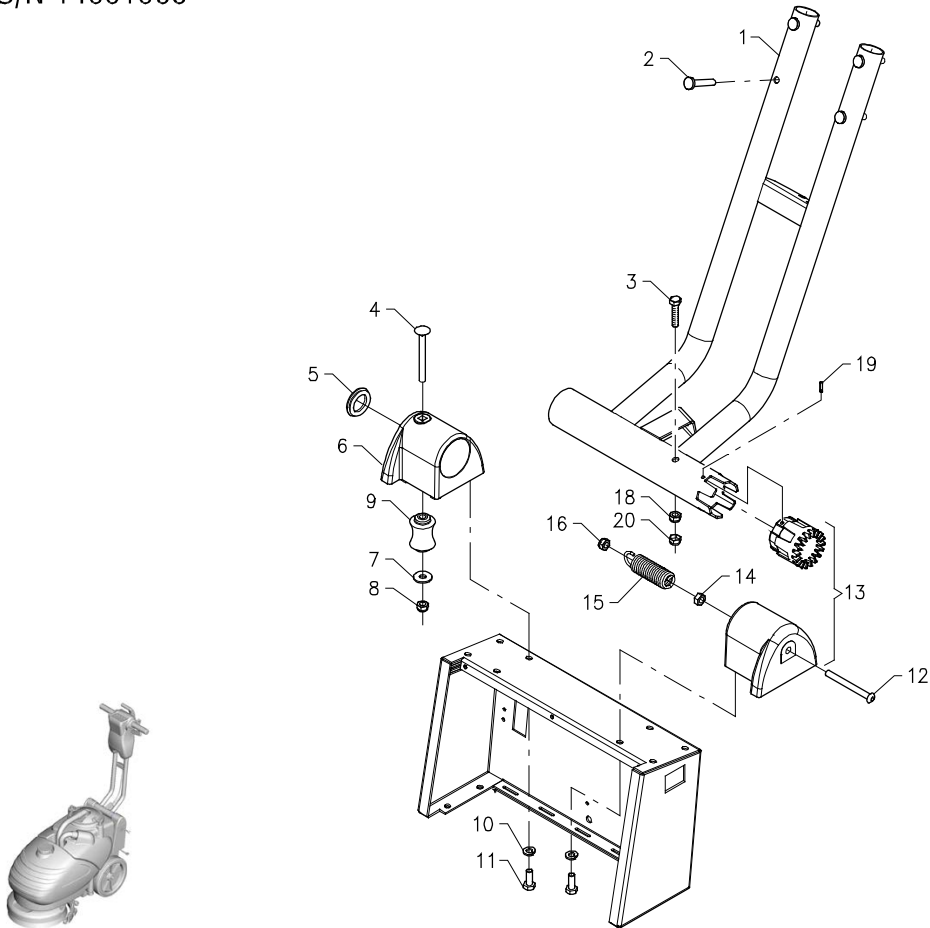
[Return To TOC](#)



Return To TOC

No	Part No	Qty	Description
1	21009010	1	Pipe Handlebar Support
2	60110619	4	Screw M6 x 35
3	60110627	1	Screw M6 x 50
4	60100618	1	Screw M6 X 60
5	62030020	1	Cover
6	21009020	1	Right Handlebar Support
7	60306007	1	Washer
8	60220603	1	Lock Nut
9	21009040	1	Spool
10	60506005	8	Washer
11	60110608	8	Screw M6 x 16
12	60100696	1	Screw M6 x 60
13	V1009010	1	Toothed Support Assembly
14	60210608	1	Nut
15	47220090	1	Traction Spring
16	60220601	1	Lock Nut
18	60220603	1	Lock Nut
19	60603002	1	Spring Pin
20	62040003	1	Nut Cover

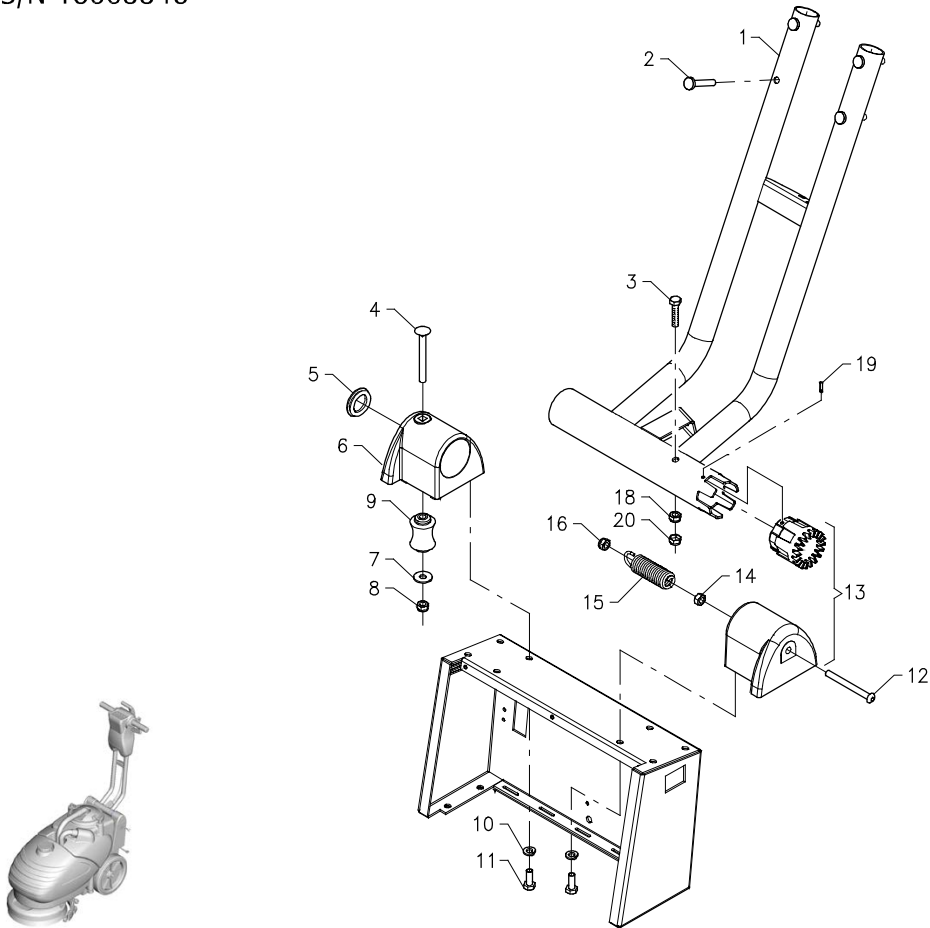
[Return To TOC](#)



Return To TOC

No	Part No	Qty	Description
1	21009100	1	Pipe Handlebar Support
2	60110619	4	Screw M6 x 35
3	60110627	1	Screw M6 x 50
4	60100618	1	Screw M6 X 60
5	62030020	1	Cover
6	21009020	1	Right Handlebar Support
7	60306007	1	Washer
8	60220603	1	Lock Nut
9	21009040	1	Spool
10	60506005	8	Washer
11	60110608	8	Screw M6 x 16
12	60100696	1	Screw M6 x 60
13	V1009010	1	Toothed Support Assembly
14	60210608	1	Nut
15	47220090	1	Traction Spring
16	60220601	1	Lock Nut
18	60220603	1	Lock Nut
19	60603002	1	Spring Pin
20	62040003	1	Nut Cover

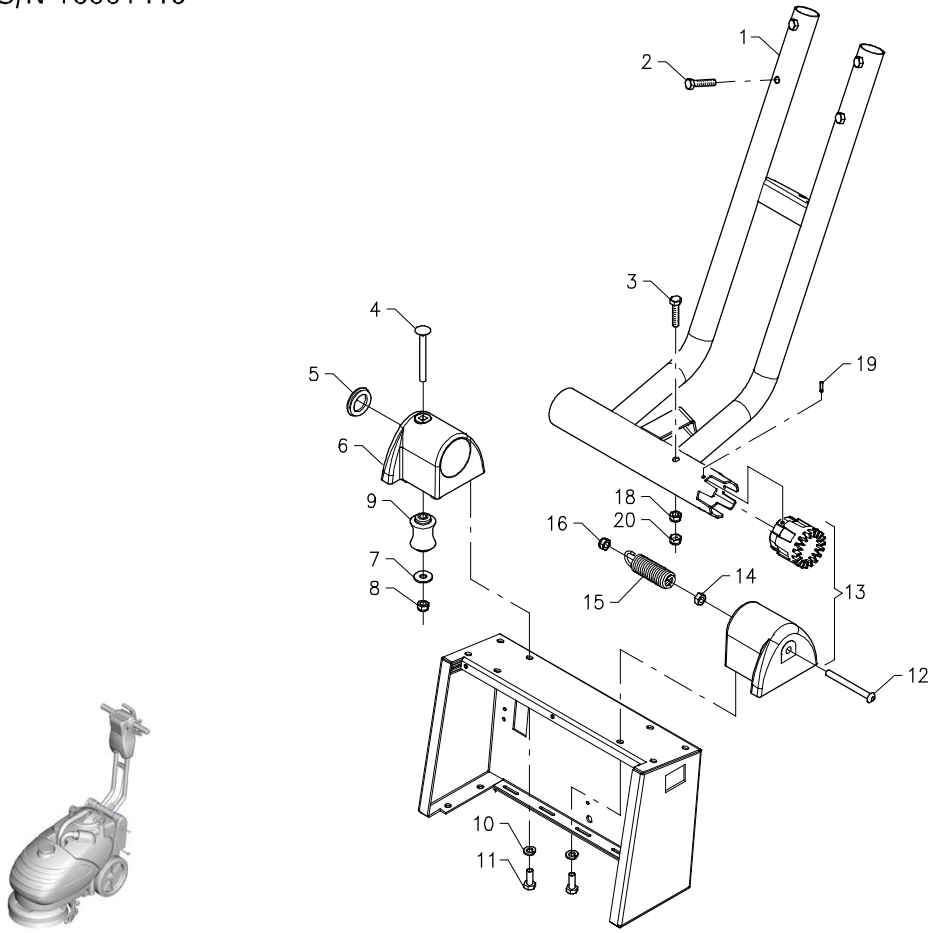
[Return To TOC](#)



Return To TOC

No	Part No	Qty	Description
1	21009100	1	Pipe Handlebar Support
2	60110619	4	Screw M6 x 35
3	60110627	1	Screw M6 x 50
4	60100618	1	Screw M6 X 60
5	62030020	1	Cover
6	21009020	1	Right Handlebar Support
7	60306007	1	Washer
8	60220603	1	Lock Nut
9	21009040	1	Spool
10	60506009	8	Washer
11	60110608	8	Screw M6 x 16
12	60100696	1	Screw M6 x 60
13	V1009010	1	Toothed Support Assembly
14	60210608	1	Nut
15	47220090	1	Traction Spring
16	60220601	1	Lock Nut
18	60220603	1	Lock Nut
19	60603002	1	Spring Pin
20	62040003	1	Nut Cover

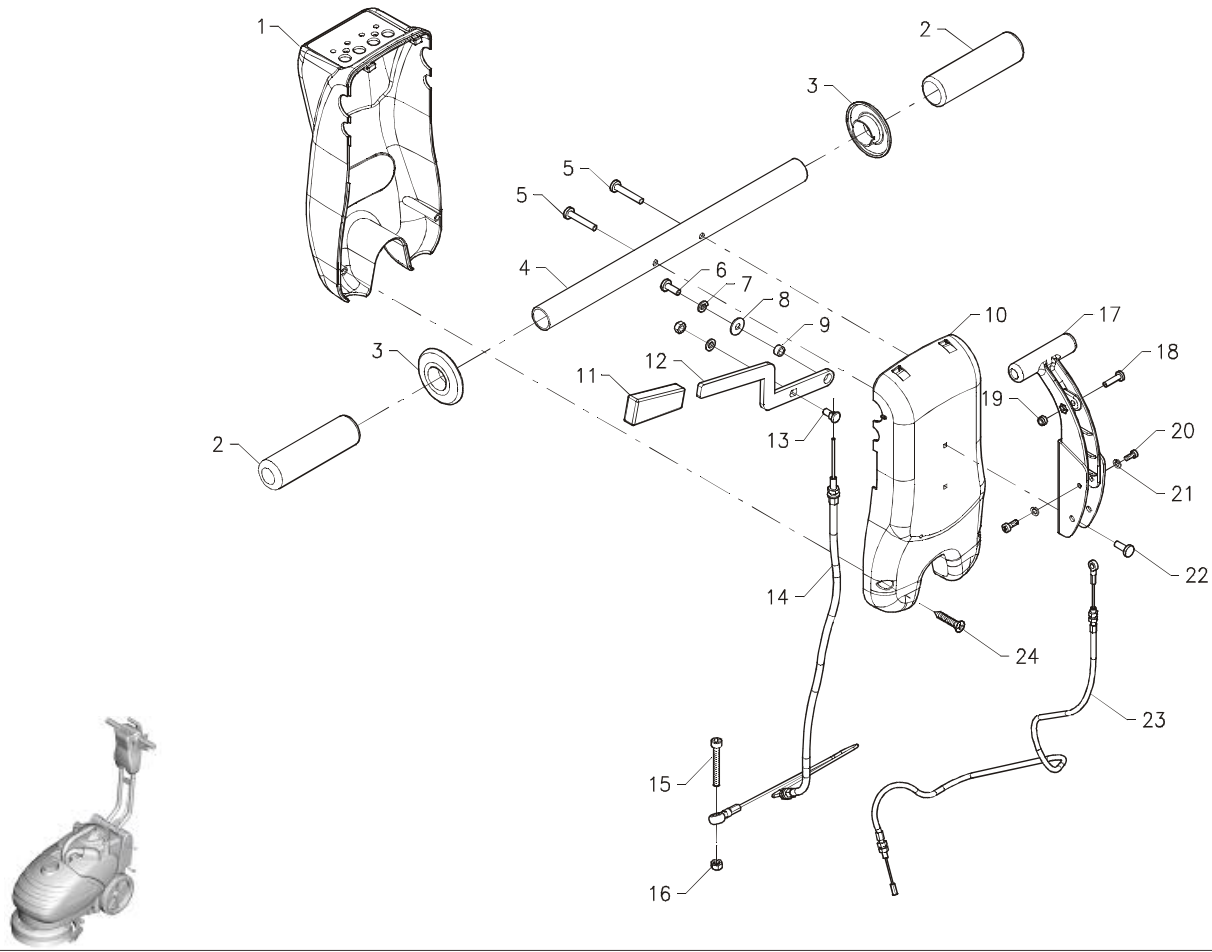
[Return To TOC](#)



Return To TOC

No.	Part No.	Qty	Description
1	21009100	1	Pipe Handlebar Support
2	60190601	2	Screw M6 x 35
3	60110627	1	Screw M6 x 50
4	60100618	1	Screw M6 X 60
5	62030020	1	Cover
6	21009020	1	Right Handlebar Support
7	60306007	1	Washer
8	60220603	1	Lock Nut
9	21009040	1	Spool Reel
10	60506009	8	Washer
11	60110608	8	Screw M6 x 16
12	60100696	1	Screw M6 x 60
13	V1009010	1	Toothed Support Assembly
14	60210608	1	Nut
15	47220090	1	Traction Spring
16	60220601	1	Lock Nut
18	60220603	1	Lock Nut
19	60603002	1	Spring Pin
20	62040003	1	Nut Cover

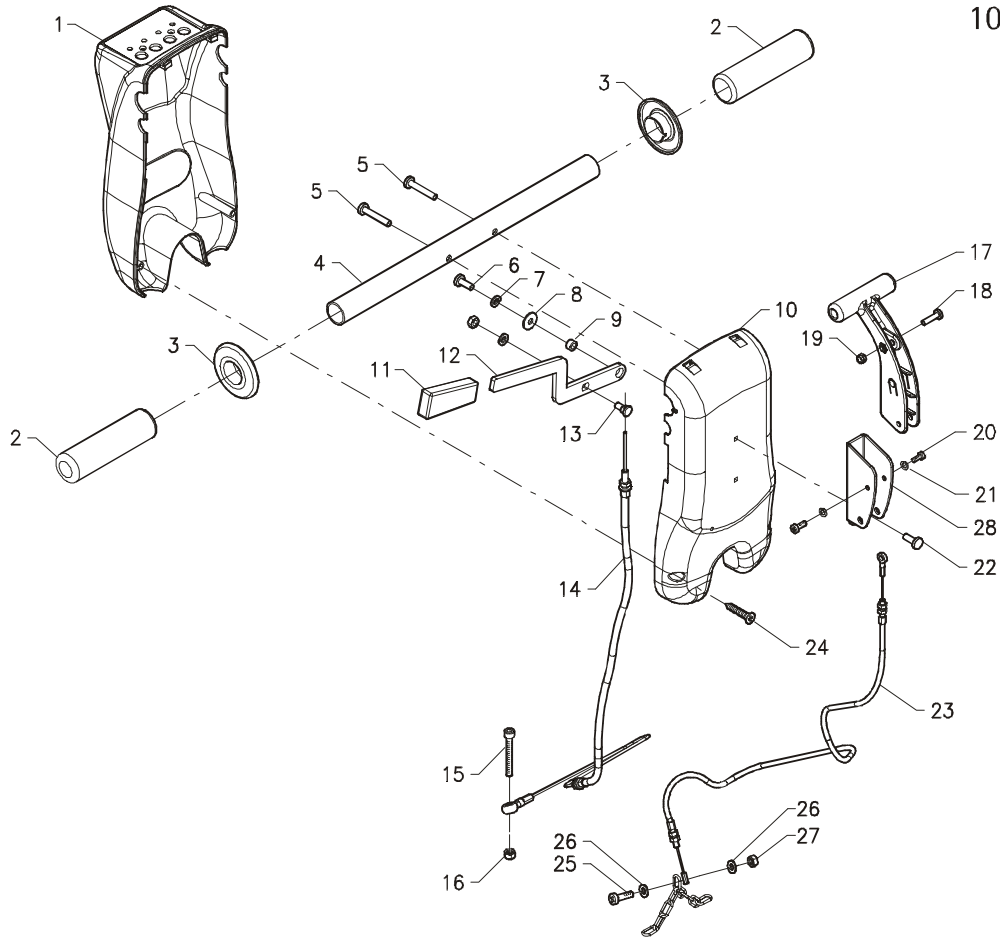
[Return To TOC](#)



Return To TOC

No.	Part No.	Qty	Description
1	49210030	1	Handle Bar Cover (Order w/ 65091020 Overlay)
2	61810001	2	Handgrip
3	20109020	2	Handgrip Protection
4	20109010	1	Handlebar Tube
5	60110619	1	Screw M6 x 35
6	60140602	1	Screw M6 x 16
7	60506005	1	Lock Washer
8	60306007	1	Washer
9	47110030	1	Bushing
10	49210010	1	Handlebar Body
11	61810002	1	Flat Knob
12	21009050	1	Release Lever
13	62406030	1	Holdfast + Nut
14	21009060	1	Handlebar Cable
15	60140503	1	Screw M5 x 12
16	60220502	1	Lock Nut
17	21005050	1	Squeegee Lever
18	60140506	1	Screw M5 x 20
19	60220502	1	Lock Nut
20	60100505	1	Screw M5 x 12
21	60505001	1	Lock Washer
22	60140503	1	Screw M5 x 12
23	21005060	1	SQUEEGEE CABLE
24	60190406	1	Screw M4 x 25
	65091020		Instrument Board Decal

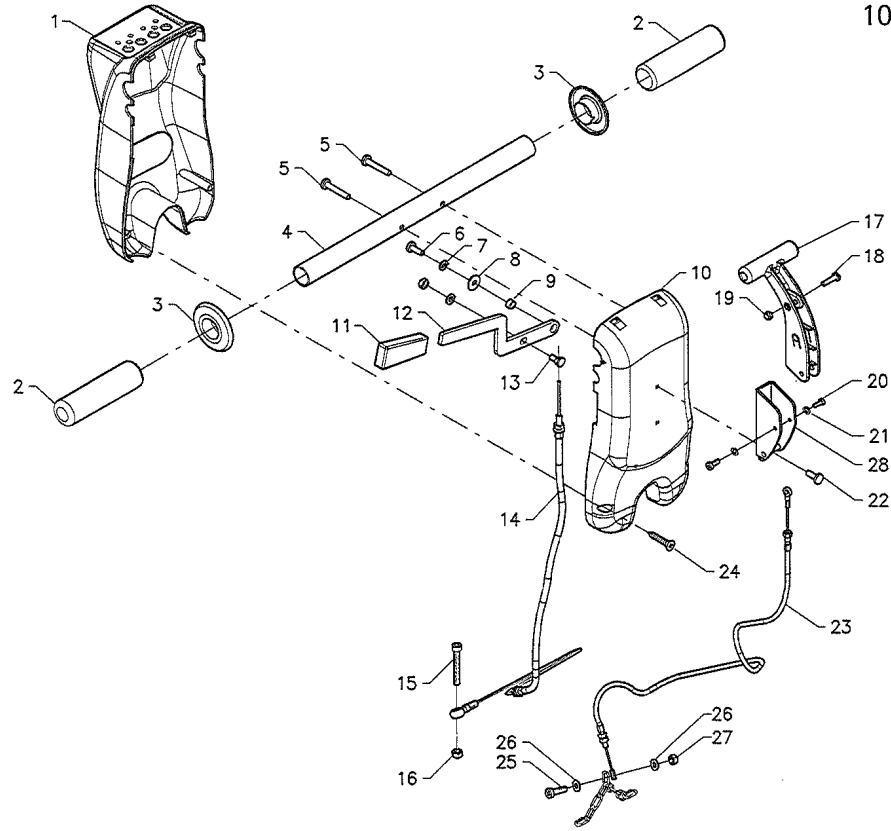
Return To TOC



Return To TOC

No.	Part No.	Qty	Description
1	49210030	1	Handle Bar Cover (Order w/ 65091020 Overlay)
2	61810001	2	Handgrip
3	20109020	2	Handgrip Protection
4	20109010	1	Handlebar Tube
5	60110619	1	Screw M6 x 35
6	60140602	1	Screw M6 x 16
7	60506005	1	Lock Washer
8	60306007	1	Washer
9	47110030	1	Bushing
10	49210010	1	Handlebar Body
11	61810002	1	Flat Knob
12	21009050	1	Release Lever
13	62406030	1	Holdfast + Nut
14	21009060	1	Handlebar Cable
15	60140503	1	Screw M5 x 12
16	60220502	1	Lock Nut
17	21005050	1	Squeegee Lever
18	60140506	1	Screw M5 x 20
19	60220502	1	Lock Nut
20	60100505	1	Screw M5 x 12
21	60505001	1	Lock Washer
22	60140503	1	Screw M5 x 12
23	21005060	1	SQUEEGEE CABLE
24	60190406	1	Screw M4 x 25
25	60140505	1	Screw M5 x 16
26	60305005	1	Lock Washer
27	60220503	1	Lock Nut
28	21005040	1	Lever Support
	65091020		Instrument Board Decal

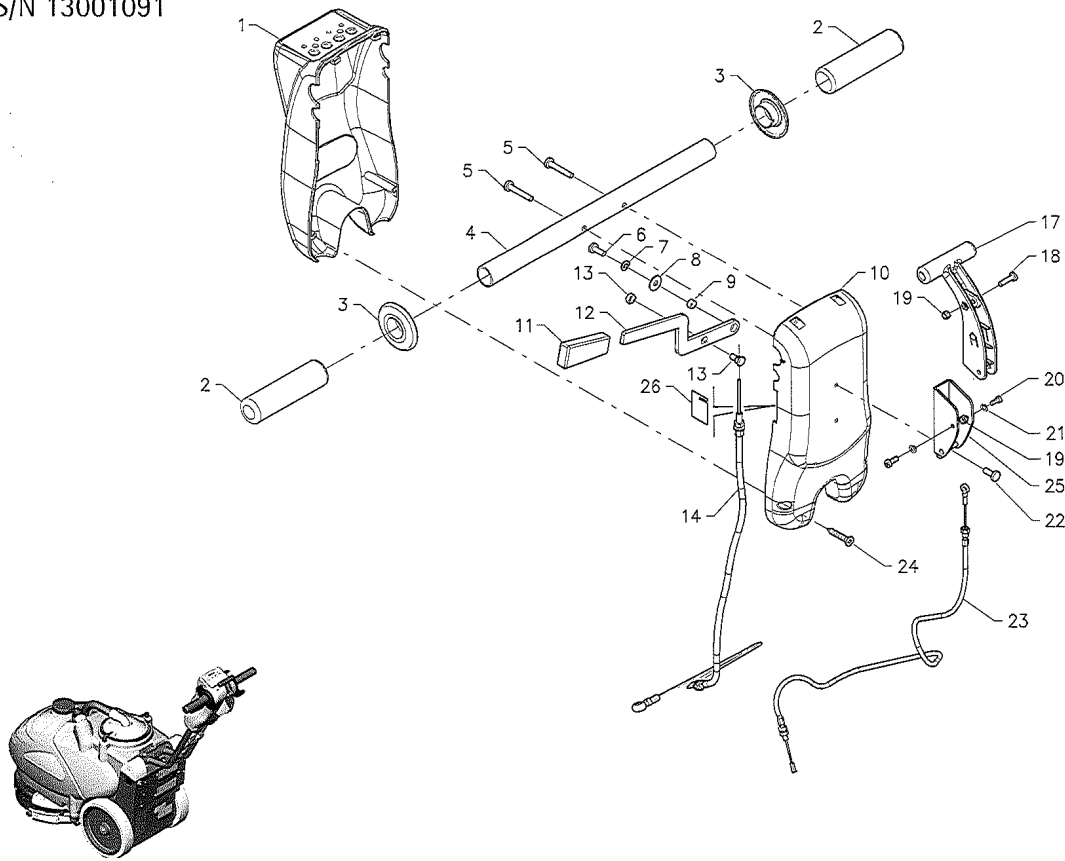
Return To TOC



Return To TOC

No.	Part No.	Qty	Description
1	49210030	1	Handlebar Cover order w/ 65091020 Overlay
2	61810001	2	Knob
3	20109020	2	Protection Knob
4	20109010	1	Handlebar Tube
5	60110619	1	Screw M6x35
6	60140602	1	Screw M6x16
7	60506005	1	Lock Washer
8	60306007	1	Washer M6x18x1.5
9	47110030	1	Bushing
10	49210010	1	Handlebar Body
11	61810002	1	Knob
12	21009050	1	Release lever
13	62406030	1	Holdfast
14	21009060	1	Cable Handlebar
15	60140503	1	Screw M5x12
16	60220502	1	Lock nut
17	21005050	1	Squeegee Lever
18	60140506	1	Screw M5x20
19	60220502	1	Lock Nut
20	60100505	1	Screw M5x12
21	60505001	1	Lock Washer
22	60140503	1	Screw M5x12
23	21005130	1	Squeegee Cable
24	60190406	2	Screw M4x25
25	60140505	1	Screw M5x16
26	60305005	1	Lock Washer
27	60220503	1	Lock nut
28	21005040	1	Lever Support

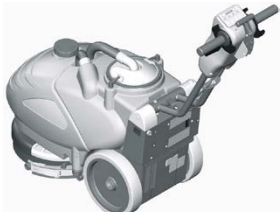
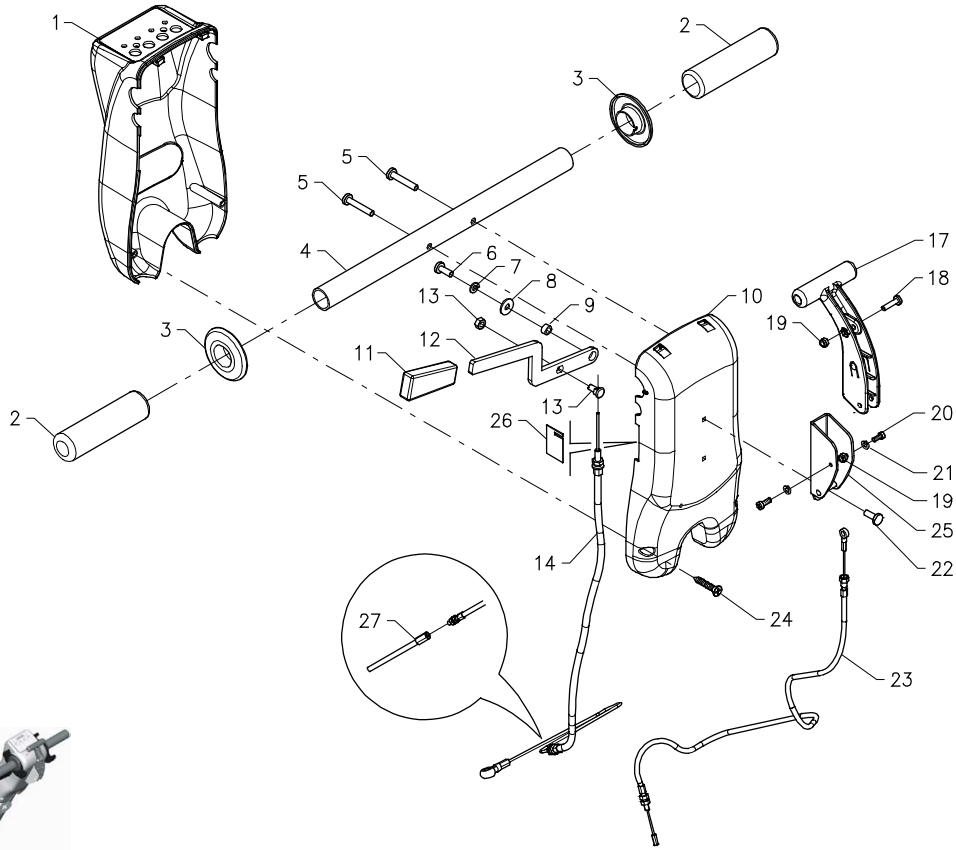
[Return To TOC](#)



Return To TOC

No.	Part No.	Qty.	Description
1	49210030	1	Handlebar Cover
2	61810001	2	Knob
3	20109020	2	Protection Knob
4	20109010	1	Handlebar Tube
5	60110619	2	Screw M6 x 35
6	60140602	1	Screw M6 x 20
7	60506005	1	Lock Washer
8	60306007	1	Washer
9	47110030	1	Bushing
10	49210010	1	Handlebar Body
11	61810002	1	Flat Knob
12	21009050	1	Release Lever
13	62406030	1	Holdfast + Nut
14	21009060	1	Cable Handle Bar
17	21005050	1	Squeegee Lever
18	60140506	1	Screw M5 x 20
19	60220502	3	Lock Nut
20	60100505	2	Screw M5 x 12
21	60505001	2	Lock Washer
22	60140508	2	Screw M5 x 12
23	21005130	1	Squeegee Cable
24	60190406	2	Screw M4.0 x 25
25	21005040	1	Lever Support
26	21009080	1	Handle Bar Protection

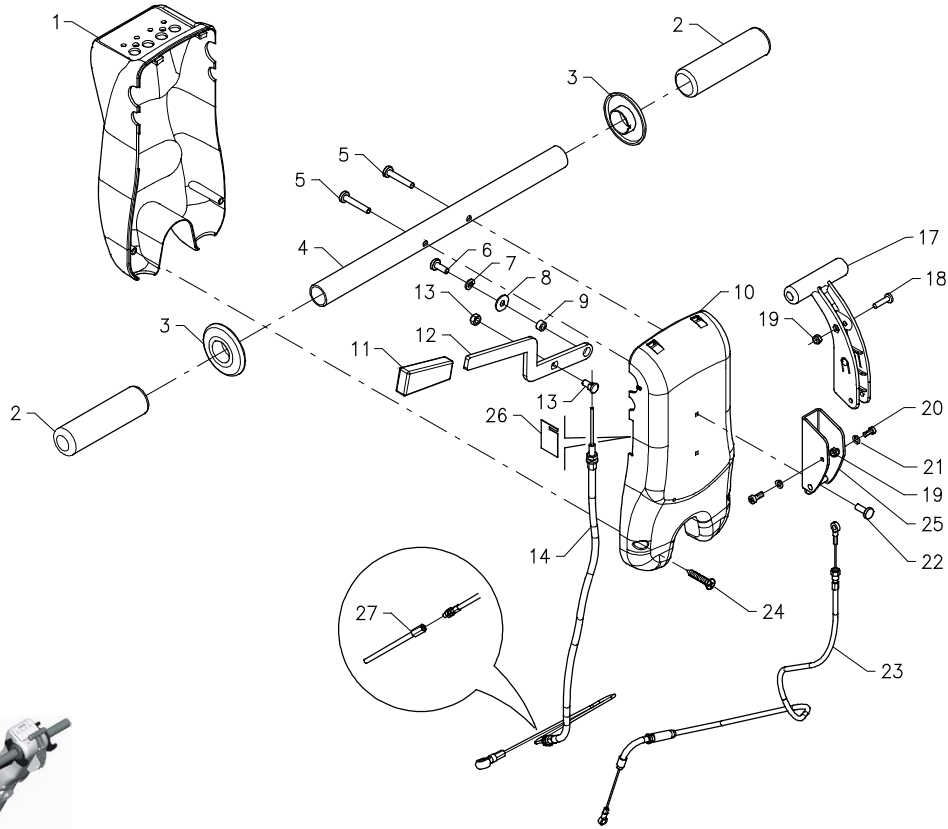
[Return To TOC](#)



Return To TOC

No.	Part No.	Qty	Description
1	49210030	1	Handle Bar Cover Order w/65091020
2	61810001	2	Handgrip
3	20109020	2	Handgrip Protector
4	20109010	1	Handlebar Tube
5	60110619	2	Screw M6 x 35
6	60140602	1	Screw M6 x 16
7	60506005	1	Lock Washer
8	60306007	1	Washer
9	47110030	1	Bushing
10	49210010	1	Handlebar Body
11	61810002	1	Flat Knob
12	21009050	1	Release Lever
13	62406030	1	Holdfast + Nut
14	21009060	1	Handlebar Cable
17	21005050	1	Squeegee Lever
18	60140506	1	Screw M5 x 20
19	60220502	3	Lock Nut
20	60100505	2	Screw M5 x 12
21	60505001	2	Lock Washer
22	60140508	2	Screw M5 x 12
23	21005130	1	Squeegee Cable
24	60190406	2	Screw M4 x 25
25	21005040	1	Lever Support
26	21009080	1	Handle Bar Protection
27	21009090	1	Extension Sheath

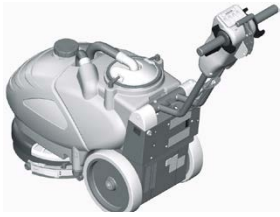
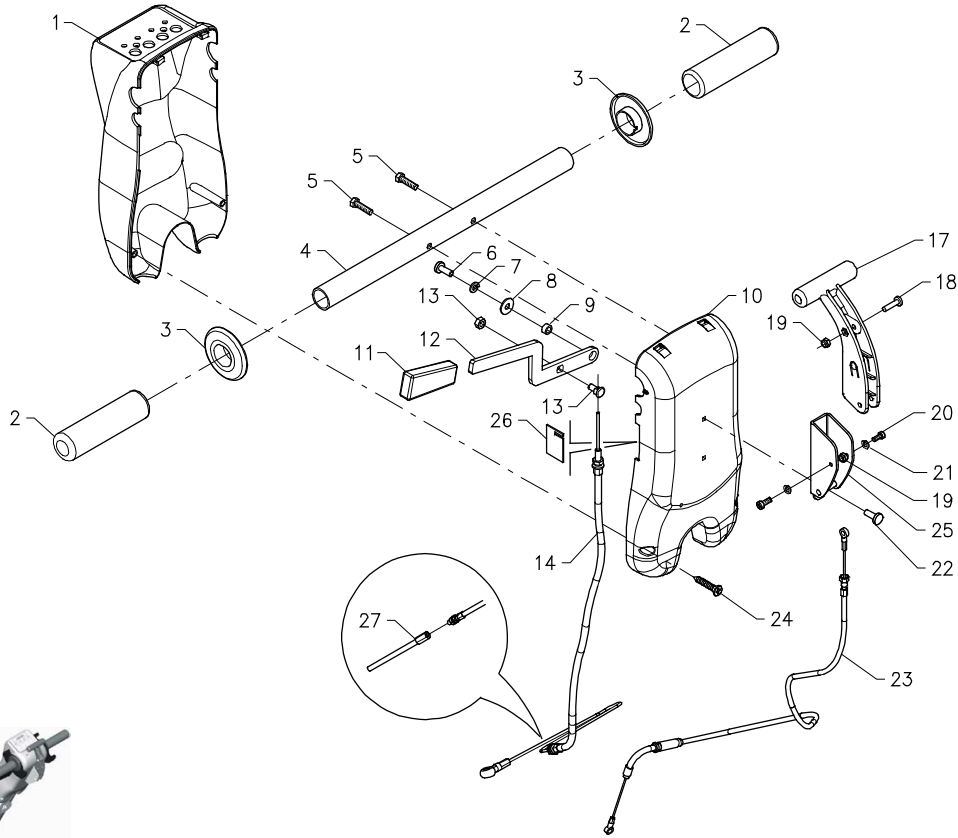
Return To TOC



Return To TOC

No.	Part No.	Qty	Description
1	49210030	1	Handle Bar Cover Order w/65091020
2	61810001	2	Handgrip
3	20109020	2	Handgrip Protector
4	20109010	1	Handlebar Tube
5	60110619	2	Screw M6 x 35
6	60140602	1	Screw M6 x 16
7	60506005	1	Lock Washer
8	60306007	1	Washer
9	47110030	1	Bushing
10	49210010	1	Handlebar Body
11	61810002	1	Flat Knob
12	21009050	1	Release Lever
13	62406030	1	Holdfast + Nut
14	21009060	1	Handlebar Cable
17	21005050	1	Squeegee Lever
18	60140506	1	Screw M5 x 20
19	60220502	3	Lock Nut
20	60100505	2	Screw M5 x 12
21	60505001	2	Lock Washer
22	60140508	2	Screw M5 x 12
23	21005180	1	Squeegee Cable
24	60190406	2	Screw M4 x 25
25	21005040	1	Lever Support
26	21009080	1	Handle Bar Protection
27	21009090	1	Extension Sheath

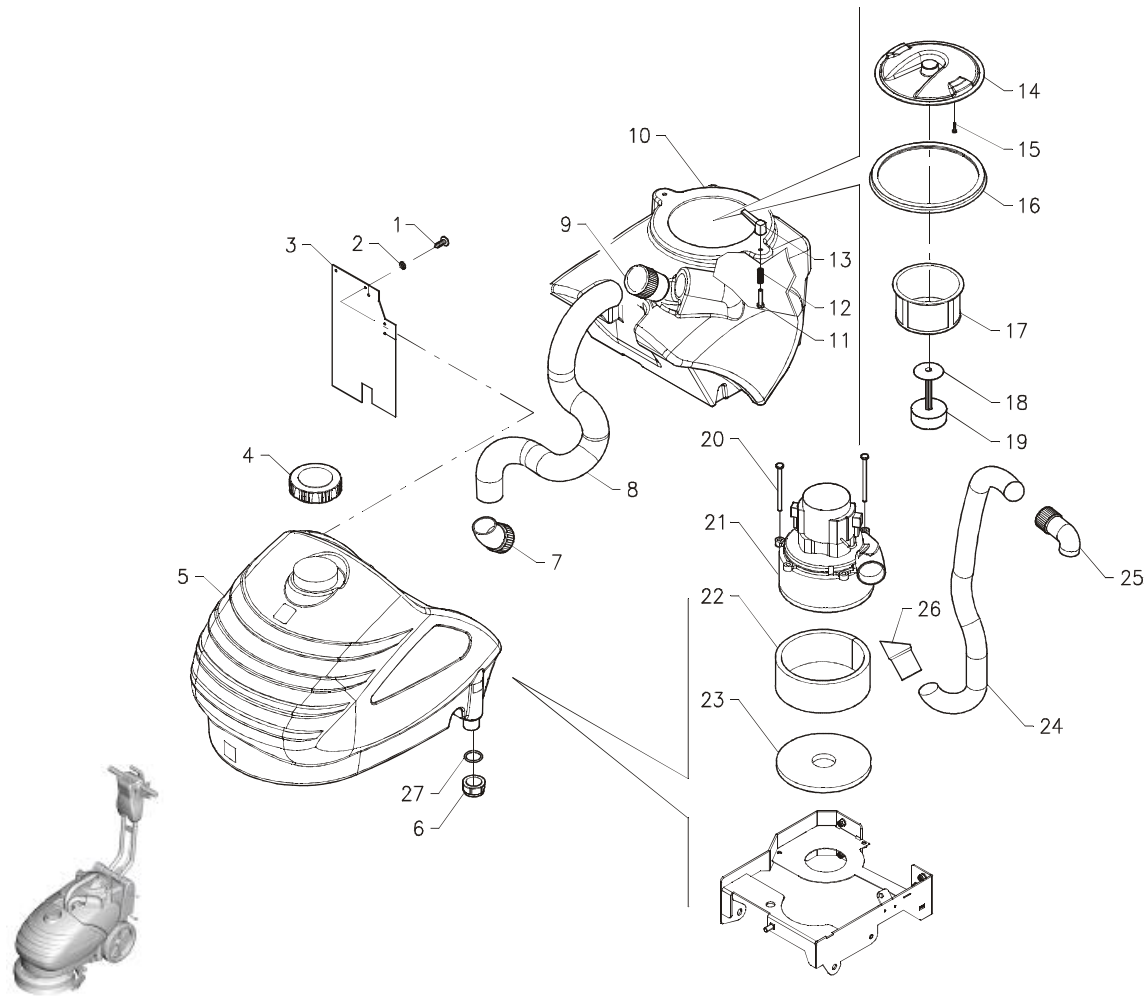
Return To TOC



Return To TOC

No.	Part No.	Qty	Description
1	49210030	1	Handle Bar Cover Order w/65091020
2	61810001	2	Handgrip
3	20109020	2	Handgrip Protector
4	20109010	1	Handlebar Tube
5	60190601	2	Screw M6 x 35
6	60140602	1	Screw M6 x 16
7	60506005	1	Lock Washer
8	60306007	1	Washer
9	47110030	1	Bushing
10	49210010	1	Handlebar Body
11	61810002	1	Flat Knob
12	21009050	1	Release Lever
13	62406030	1	Holdfast + Nut
14	21009060	1	Handlebar Cable
17	21005050	1	Squeegee Lever
18	60140506	1	Screw M5 x 20
19	60220502	3	Lock Nut
20	60100505	2	Screw M5 x 12
21	60505001	2	Lock Washer
22	60140508	2	Screw M5 x 12
23	21005180	1	Squeegee Cable
24	60190406	2	Screw M4 x 25
25	21005040	1	Lever Support
26	21009080	1	Handle Bar Protection
27	21009090	1	Extension Sheath

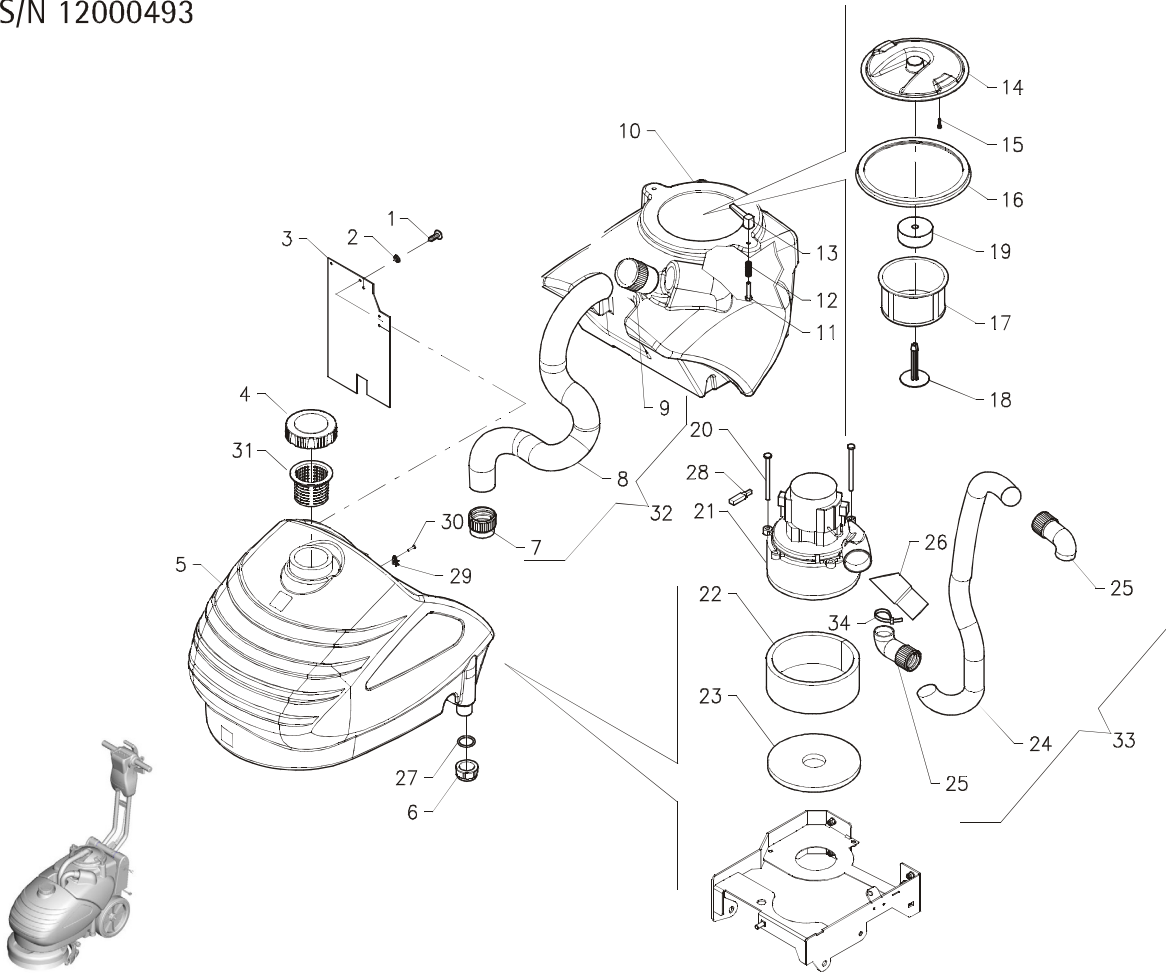
[Return To TOC](#)



[Return To TOC](#)

No.	Part No.	Qty	Description
1	60190306	3	Screw M2.9 x 9.5
2	60304004	3	Washer
3	21010050	1	Protection
4	62350010	1	Solution Tank Cover
5	47310010	1	Solution Tank
6	62350009	1	Plug
7	21010040	1	Squeegee Hose Coupler
8	47610320	1	Squeegee Hose
9	21010010	1	Coupler Hose
10	47310020	1	Recovery Tank
11	60110618	1	Screw M6 x 30 INOX
12	47210080	1	Compression Spring SS
13	61820002	2	Blocking Lever
14	21010030	2	Filter Cap
15	60120403	3	Screw M4 x 10
16	47800010	1	Filter Cap Gasket
17	47900010	1	Filter Float
18	20110060	1	Rod with Plate
19	20110070	1	Float
20	60140615	2	Screw M6 x 90
21	49320120	1	Suction Motor 24V
22	48110010	1	Side Deadning Suction
23	48110020	1	Lower Deadning Suction
24	47610310	1	Suction Hose
25	21010020	2	Bent Fitting
26	47650050	1	Deading Hose
27	62370008	1	Gasket for Plug

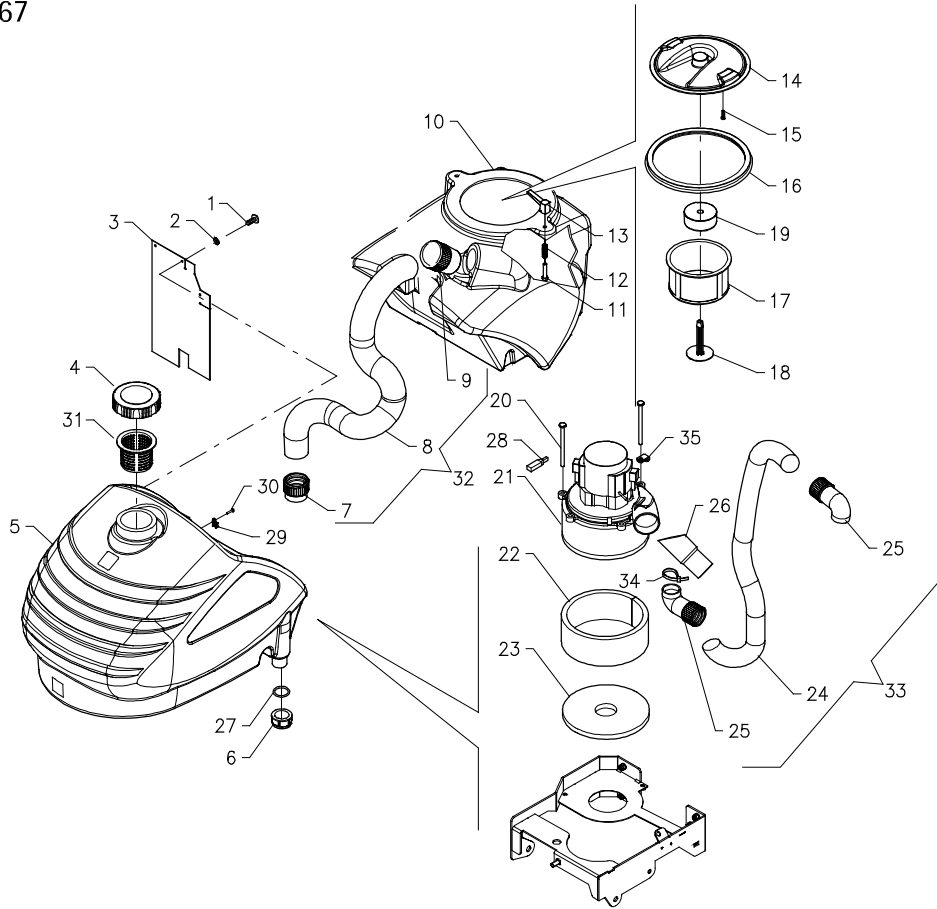
[Return To TOC](#)



Return To TOC

No.	Part No.	Qty	Description
1	60190306	3	Screw M2.9 x 9.5
2	60304004	3	Washer
3	21010050	1	Protection
4	62350010	1	Solution Tank Cover
5	47310010	1	Solution Tank
6	62350009	1	Plug
7	21010040	1	Squeegee Hose Coupler
8	47610320	1	Squeegee Hose
9	21010010	1	Coupler Hose
10	47310020	1	Recovery Tank
11	60110618	1	Screw M6 x 30 INOX
12	47210080	1	Compression Spring SS
13	61820002	2	Blocking Lever
14	21010030	2	Filter Cap
15	60120403	3	Screw M4 x 10
16	47800010	1	Filter Cap Gasket
17	47900010	1	Filter Float
18	20110060	1	Rod with Plate
19	20110070	1	Float
20	60140615	2	Screw M6 x 90
21	49320120	1	Suction Motor 24V
22	48110010	1	Side Deadning Suction
23	48110020	1	Lower Deadning Suction
24	47610310	1	Suction Hose
25	21010020	2	Bent Fitting
26	47650050	1	Deading Hose
27	62370008	1	Gasket for Plug
28	63606112	2	Motor Carbon Brushes
29	63714002	1	Eye Support
30	60190310	1	Screw M3.9 x 14
31	47900130	1	Solution Filter
32	47610325	1	Squeegee Hose w/Couplers
33	47610315	1	Suction Hose w/Couplers
34	61910004	1	Clamp

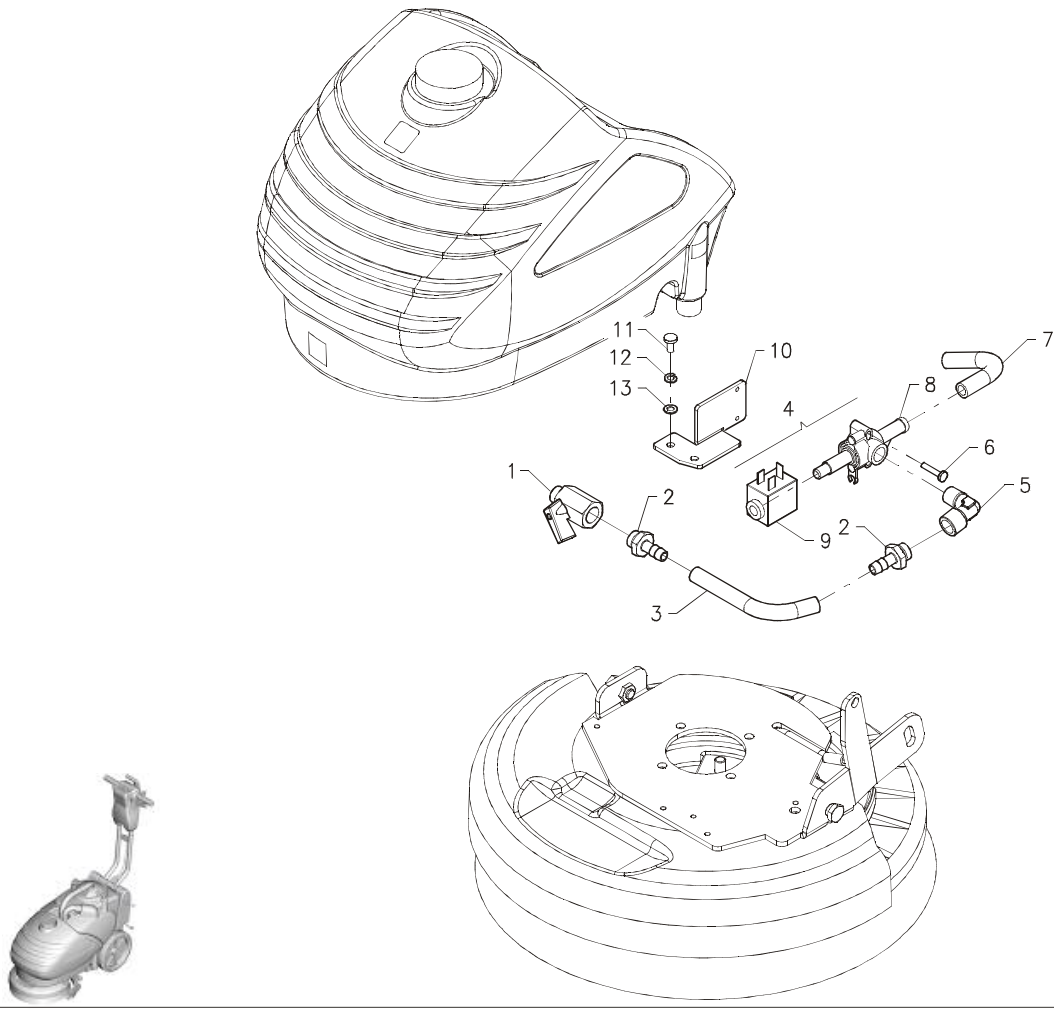
Return To TOC



Return To TOC

No.	Part No.	Qty	Description
1	60190306	3	Screw M2.9 x 9.5
2	60304004	3	Washer
3	21010050	1	Protection
4	62350010	1	Solution Tank Cover
5	47310010	1	Solution Tank
6	62350009	1	Plug
7	21010040	1	Squeegee Hose Coupler
8	47610320	1	Squeegee Hose
9	21010010	1	Coupler Hose
10	47310020	1	Recovery Tank
11	60110618	1	Screw M6 x 30 INOX
12	47210080	1	Compression Spring SS
13	61820002	2	Blocking Lever
14	21010030	2	Filter Cap
15	60120403	3	Screw M4 x 10
16	47800010	1	Filter Cap Gasket
17	47900010	1	Filter Float
18	20110060	1	Rod with Plate
19	20110070	1	Float
20	60140615	2	Screw M6 x 90
21	49320120	1	Suction Motor 24V
22	48110010	1	Side Deadning Suction
23	48110020	1	Lower Deadning Suction
24	47610310	1	Suction Hose
25	21010020	2	Bent Fitting
26	47650050	1	Deading Hose
27	62370008	1	Gasket for Plug
28	63606112	2	Motor Carbon Brushes
29	63714002	1	Eye Support
30	60190310	1	Screw M3.9 x 14
31	47900130	1	Solution Filter
32	47610325	1	Squeegee Hose w/Couplers
33	47610315	1	Suction Hose w/Couplers
34	61910004	1	Clamp
35	61940006	1	Nylon Cable Block

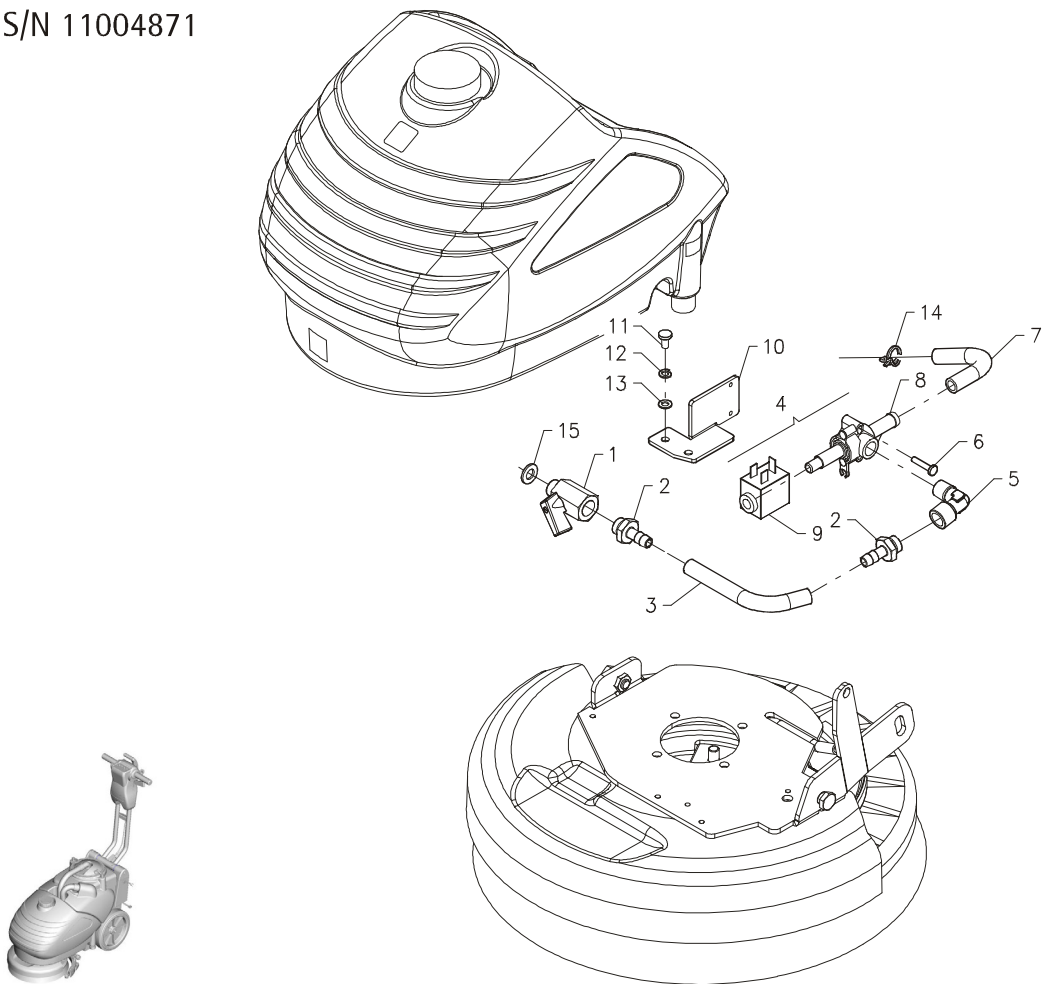
Return To TOC



Return To TOC

No.	Part No.	Qty	Description
1	62310007	1	Solution Valve Body
2	62340220	2	Straight Connector
3	47630660	1	Hose
4	47532030	1	Solenoid Valve Assembly 24V 1/4"
5	62320040	1	Elbow
6	60110406	1	Screw M4 x 20 INOX
7	47630670	1	Hose
8	47512050	1	Body Solenoid Valve
9	47522020	1	Coil Solenoid Valve
10	21002030	1	Support Solenoid Valve
11	60140510	1	Screw M5 x 10 INOX
12	60505001	1	Lock Washer
13	60305002	1	Washer INOX

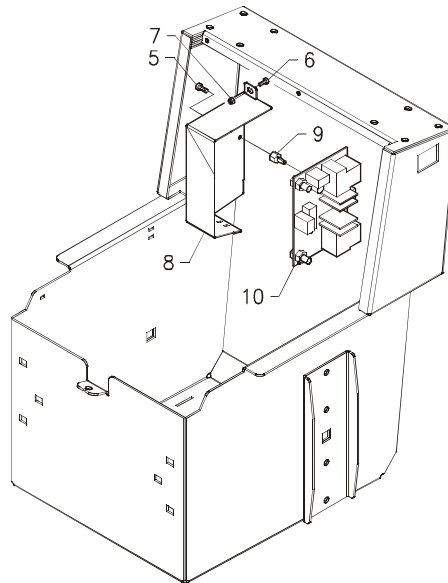
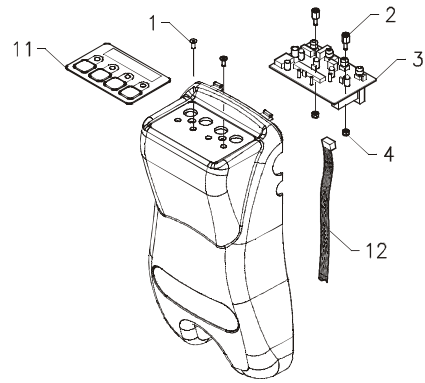
Return To TOC



Return To TOC

No.	Part #	Qty	Description
1	62310007	1	Solution Valve Body
2	62340220	2	Straight Connector
3	47630660	1	Hose
4	47532030	1	Solenoid Valve Assembly
5	62320040	1	Elbow
6	60110406	2	Screw M4 x 20 INOX
7	47630670	1	Hose
8	47512050	1	Body Solenoid Valve
9	47522020	1	Coil Solenoid Valve
10	21002030	1	Support Solenoid Valve
11	60140510	2	Screw M5 x 10 INOX
12	60505003	2	Lock Washer INOX
13	60305002	2	Washer INOX
14	61930011	1	Spring Clamp
15	62370002	1	Gasket

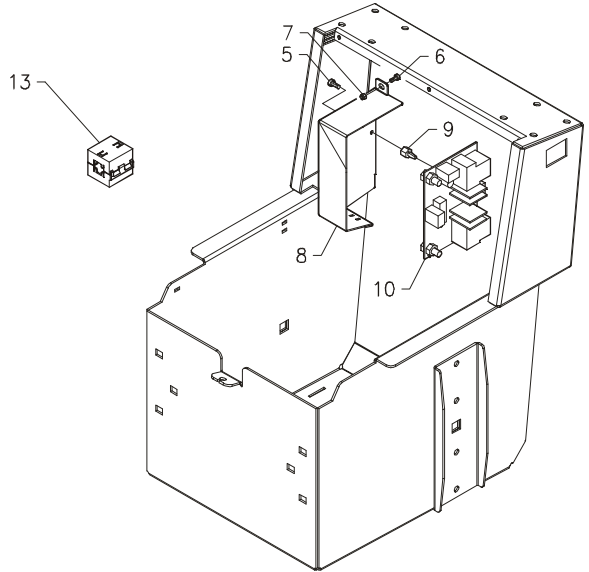
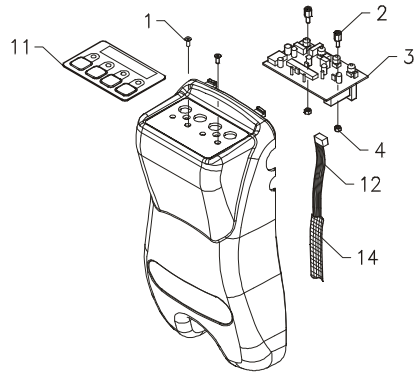
Return To TOC



Return To TOC

No.	Part No.	Qty	Description
1	60170303	2	ScrewM3 x 8 INOX
2	62406022	2	Hexagonal Spacer
3	49704090	1	Check Card Controls
4	60210304	2	Nut
5	60190304	2	Screw M3.5 x 6.5
6	60140402	2	Screw M4 x 10
7	60220401	2	Lock Nut
8	21012010	1	Cover Check Card Relay
9	63705003	2	Coupler
10	49705030	1	Check Card Relay
11	65091020	1	Decal Instrument Board
12	49810009	1	Cable and Sheath

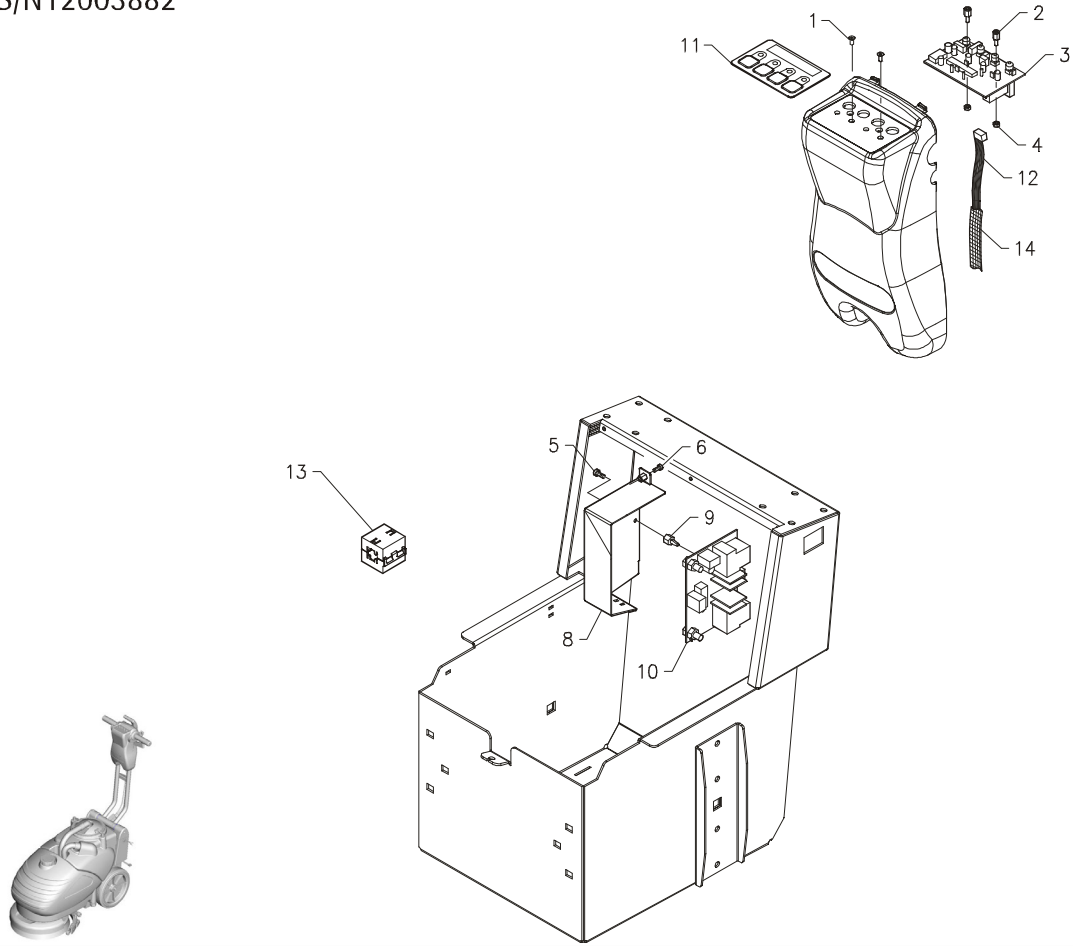
Return To TOC



Return To TOC

No.	Part No.	Qty	Description
1	60170303	2	ScrewM3x8 INOX
2	62406022	2	Hexagonal Spacer
3	49704090	1	Check Card Controls
4	60210304	2	Nut M3
5	60190304	2	Screw M3.5x6.5
6	60140402	2	Screw M4x10
7	60220401	2	Lock Nut
8	21012010	1	Cover Check Card Relay
9	63705003	2	Coupler
10	49705030	1	Check Card Relay
11	65091020	1	Decal Instrument Board
12	49810009	1	Cable and Sheath
13	63715005	1	Ferrite w/Quick Coupling

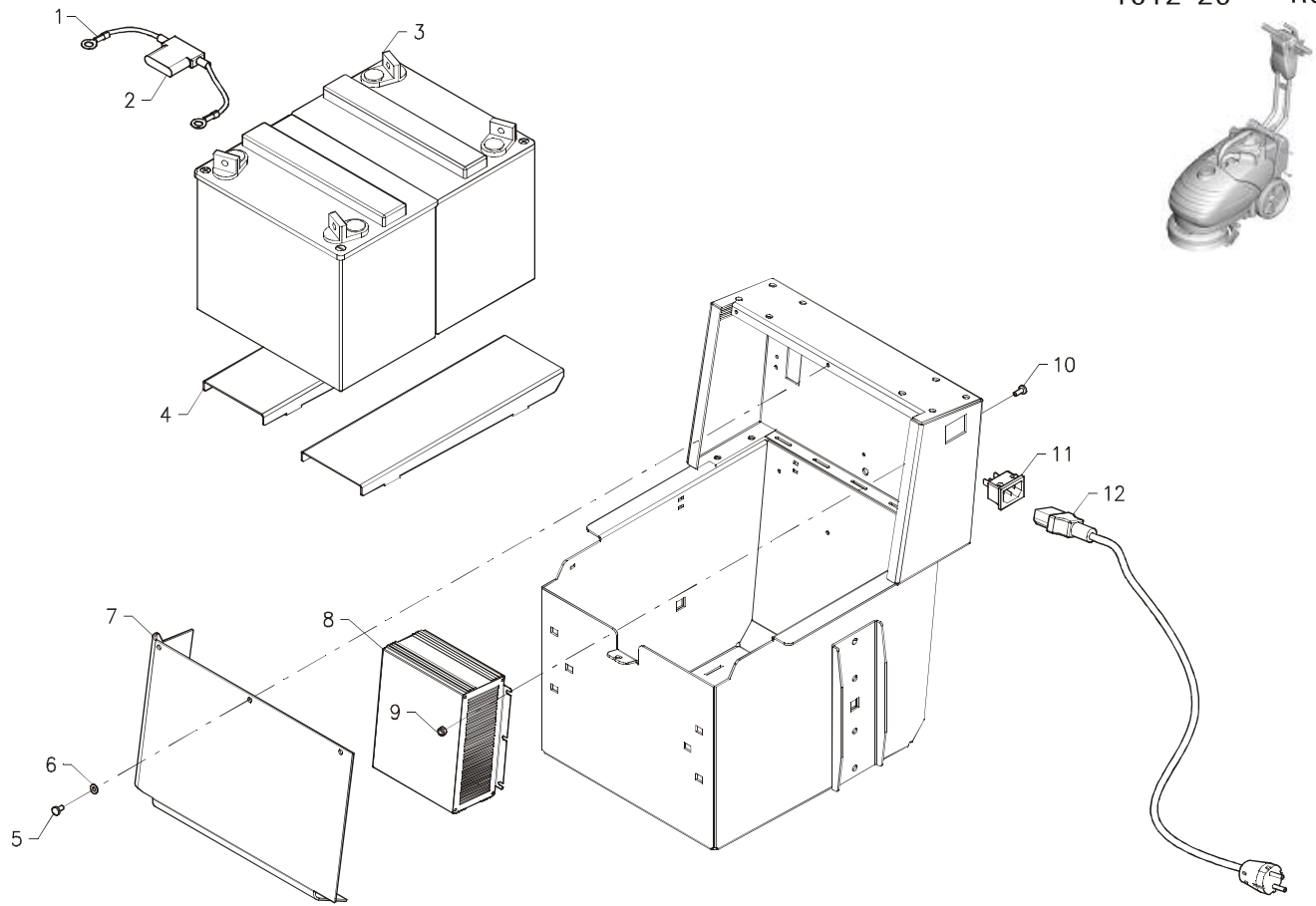
Return To TOC



Return To TOC

No.	Part No.	Qty	Description
1	60170303	2	Screw M3 x 8 INOX
2	62406022	2	Hexagopnal Spacer
3	49704090	1	Control Check Card
4	60210304	2	Nylon Nut
5	60190304	3	Screw M3.5 x 6.5
6	60140402	2	Screw M4 x 10
8	21012020	1	Relay Check Card Cover
9	63705003	3	Coupler
10	49705030	1	Relay Check Card
11	65091020	1	Instrument Board Decal
12	49810009	1	Cable and Sheath
13	63715005	1	Ferrite w/ Quick Coupling
14	47807100	1	Sheath M15 x 700

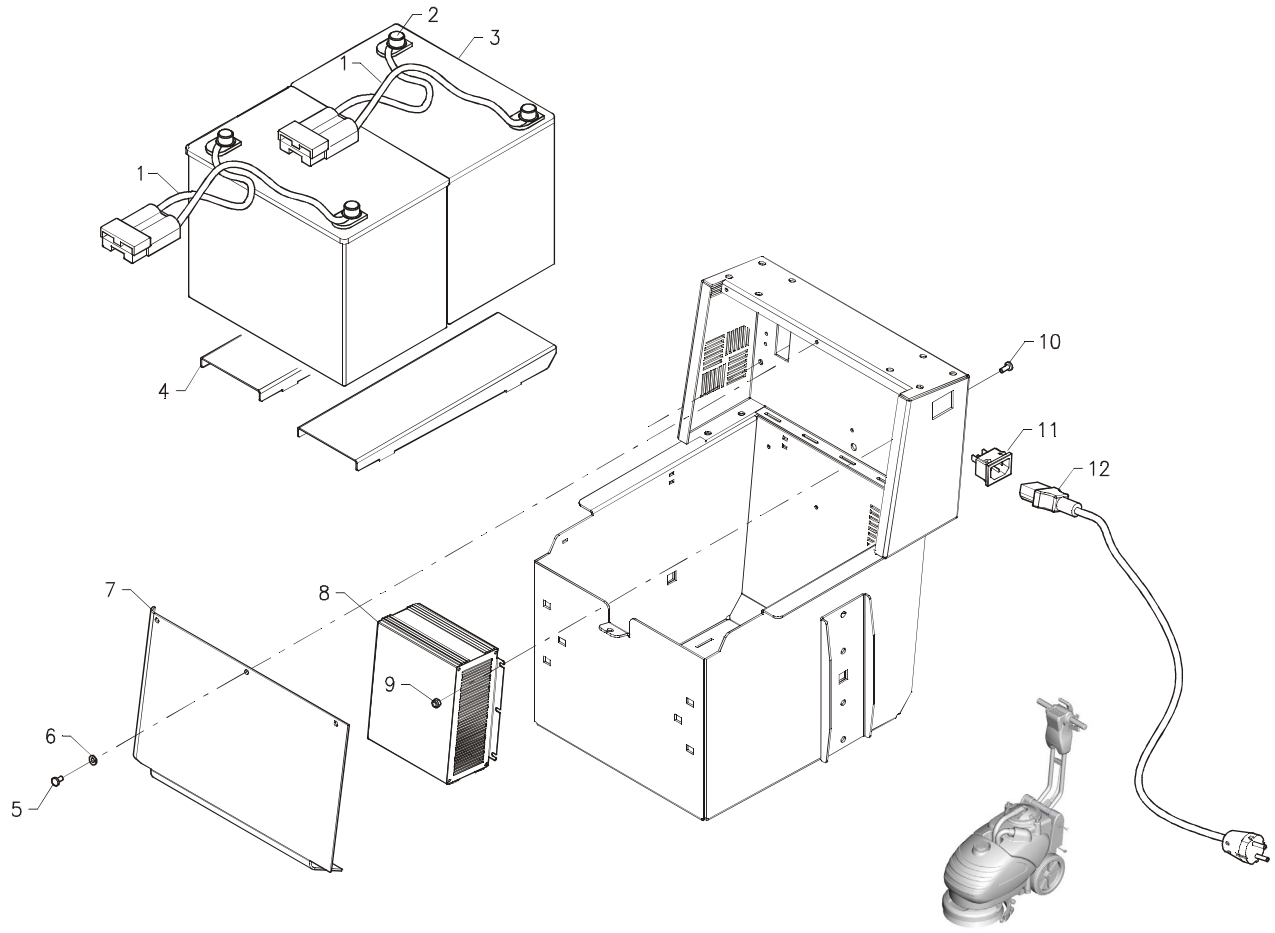
Return To TOC



Return To TOC

No.	Part No.	Qty	Description
1	49810003	1	Cable with Fuse Holder
2	62804001	1	Fuse 40A
3	98414	2	Battery 12 VDC AGM
4	21001040	2	Battery Support
5	60140402	1	Screw M4 x 10
6	60304002	1	Washer
7	21001050	1	Shield
8	64602021	1	Battery Charger 24V-5A
9	60220401	1	Lock Nut
10	60140402	1	Screw M4 x 10
11	62600002	1	Main Socket 10A 250V
12	64610012	1	Charger Cable

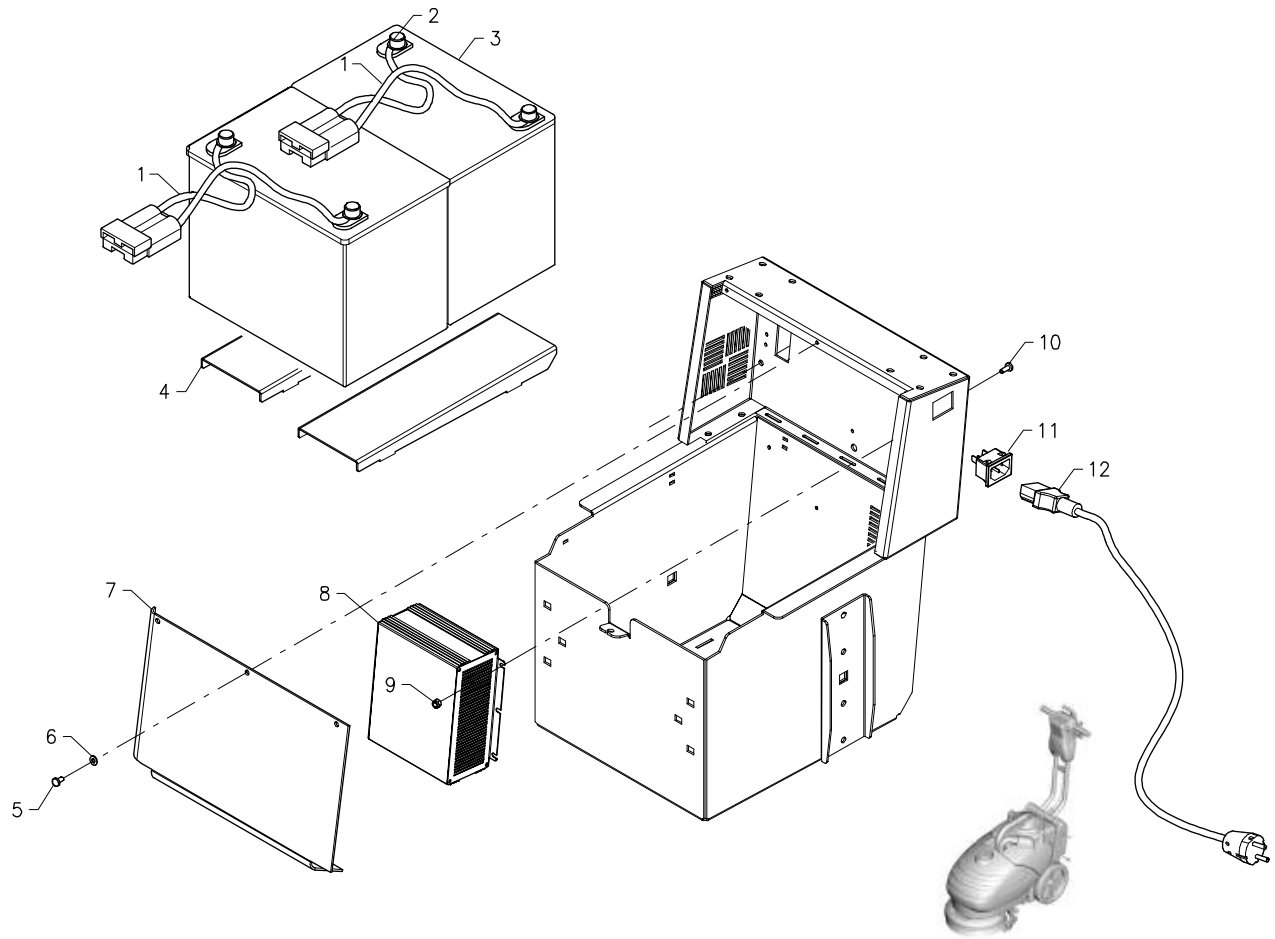
Return To TOC



Return To TOC

No.	Part No.	Qty	Description
1	49810011	2	Battery Cables & Connector
2	62030009	4	Cover
3	98414	2	Battery 12 VDC AGM
4	21001040	2	Battery Support
5	60140407	3	Screw M4 x 10
6	60304002	3	Washer
7	21001050	1	Protector
8	64602021	1	Battery Charger
9	60220401	4	Lock Nut
10	60140407	4	Screw M4 x 10
11	62600002	1	Main Plug
12	64610012	1	Charger Cable

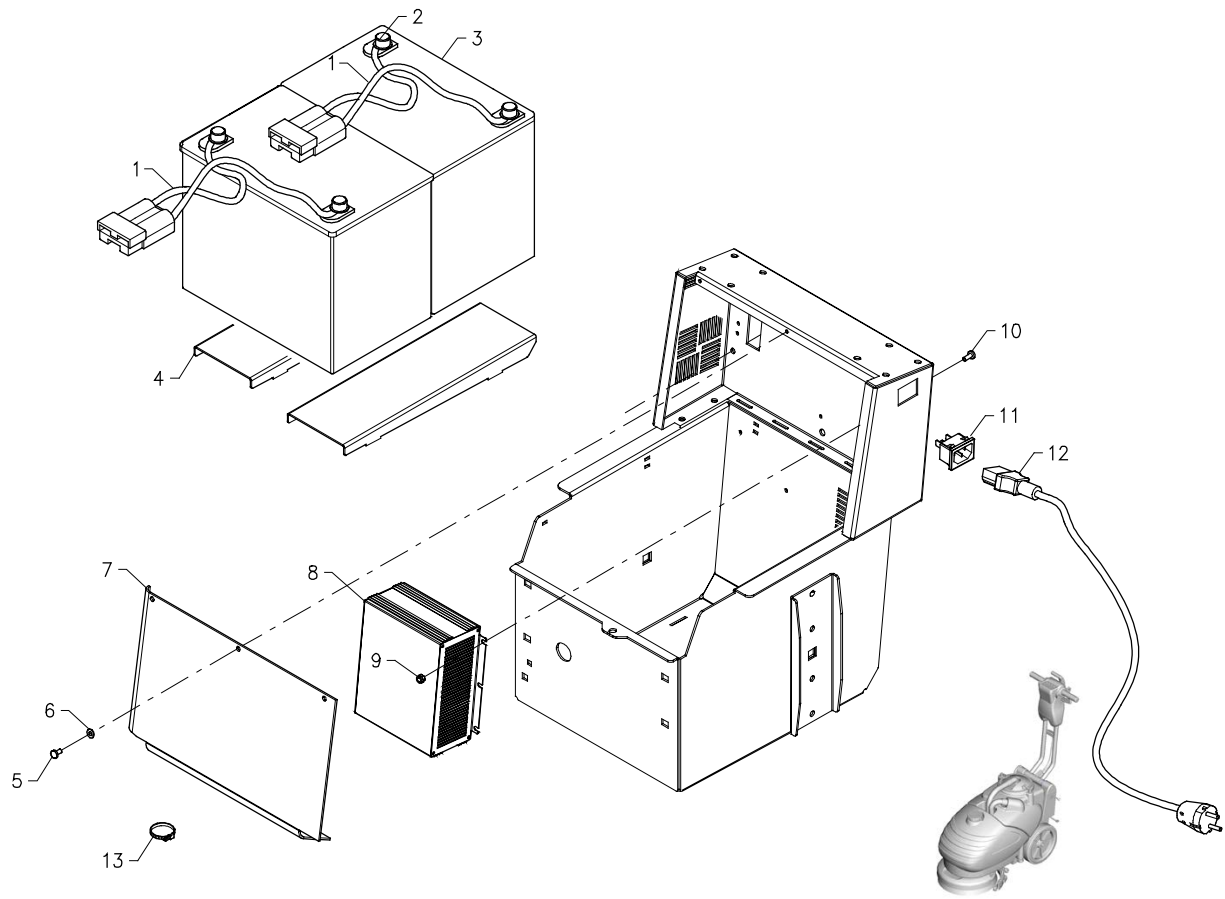
[Return To TOC](#)



Return To TOC

No.	Part No.	Qty	Description
1	49810011	2	Battery Cables & Connector
2	62030009	4	Cover
3	98414	2	Battery 12 VDC AGM
4	21001040	2	Battery Support
5	60140407	4	Screw M4 x 10
6	60304002	4	Washer
7	21001050	1	Protector
8	64602021	1	Battery Charger
9	60220401	4	Lock Nut
10	60140407	4	Screw M4 x 10
11	62600002	1	Main Plug
12	64610012	1	Charger Cable

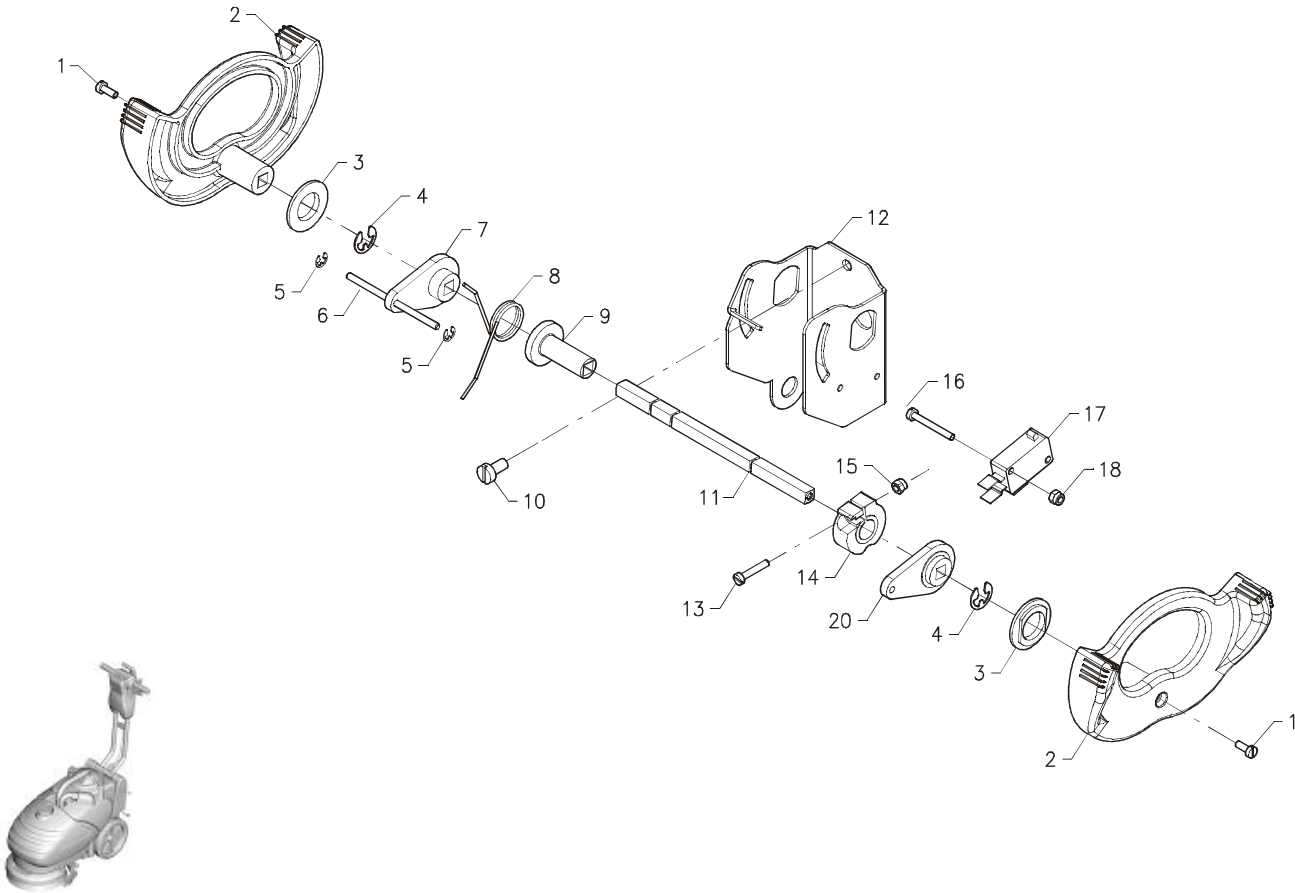
[Return To TOC](#)



Return To TOC

No.	Part No.	Qty	Description
1	49810011	2	Battery Cables & Connector
2	62030009	4	Cover
3	98414	2	Battery 12 VDC AGM
4	21001040	2	Battery Support
5	60140407	4	Screw M4 x 10
6	60304002	4	Washer
7	21001050	1	Shield
8	64602021	1	Battery Charger 24V-5A
9	60220401	3	Lock Nut
10	60140407	3	Screw M4 x 10
11	62600002	1	Main Socket 10A 250V
12	64610012	1	Charger Cable
13	61910005	1	Clamp

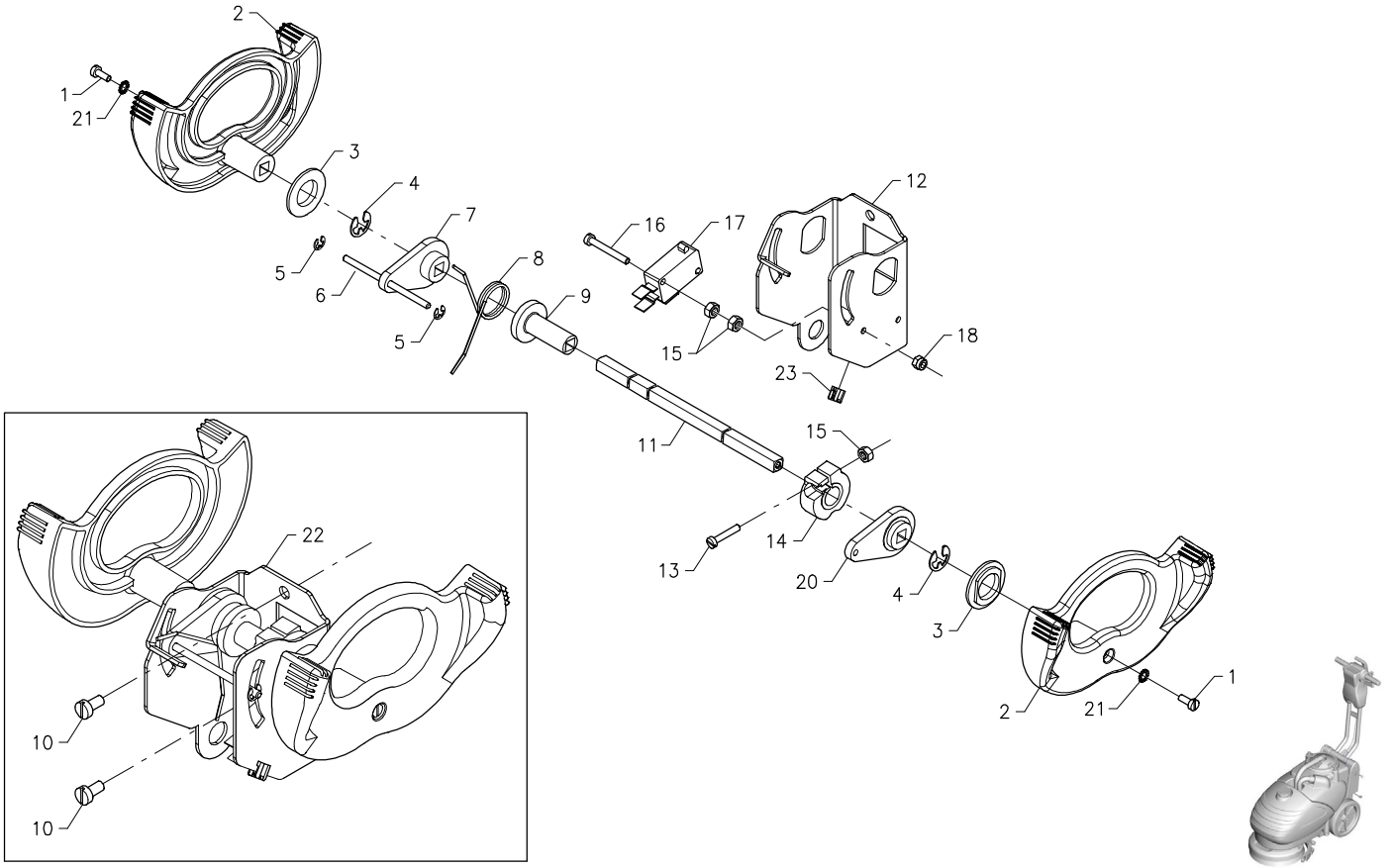
[Return To TOC](#)



Return To TOC

No.	Part No.	Qty	Description
1	60140301	2	Screw M3 x 10
2	20113010	2	Drive Control Lever
3	47101080	1	Bushing
4	61140001	2	Stop Ring
5	61140002	1	Locking Ring
6	20113090	1	Spring Stop
7	20113050	1	Spring Side Lever
8	47230020	1	Drive Control Spring
9	47101120	1	Bushing
10	60140502	1	Screw M5 x 8
11	20113040	1	Camshaft
12	20113030	1	Drive Control Support
13	60140304	1	Screw M3 x 14
14	20113100	1	Microswitch Control Cam
15	60210302	1	Brass Nut
16	60140305	1	Screw M3 x 25
17	63409001	1	Microswitch 10A
18	60210302	1	Brass Nut
20	20113060	1	Lever

[Return To TOC](#)



Return To TOC

No.	Part No.	Qty	Description
1	60140301	2	Screw M3 x 10
2	20113010	2	Drive Control Lever
3	47101080	2	Bushing
4	61140001	2	Stop Ring
5	61140002	1	Locking Ring
6	20113090	1	Spring Stop
7	20113050	1	Spring Side Lever
8	47230020	1	Drive Control Spring
9	47101120	1	Bushing
10	60140502	1	Screw M5 x 8
11	20113040	1	Camshaft
12	20113030	1	Drive Control Support
13	60140304	1	Screw M3 x 14
14	20113100	1	Microswitch Control Cam
15	60210302	3	Brass Nut
16	60140305	1	Screw M3 x 25
17	63409001	1	Microswitch 10A
18	60210302	1	Brass Nut
20	20113060	1	Lever
21	60503002	2	Lock Washer
22	V0113001	1	Drive Control Assembly
23	63714003	1	Clamp Holder Clip

Return To TOC