

# Quick Start Guide BR 9/1 MW 99409

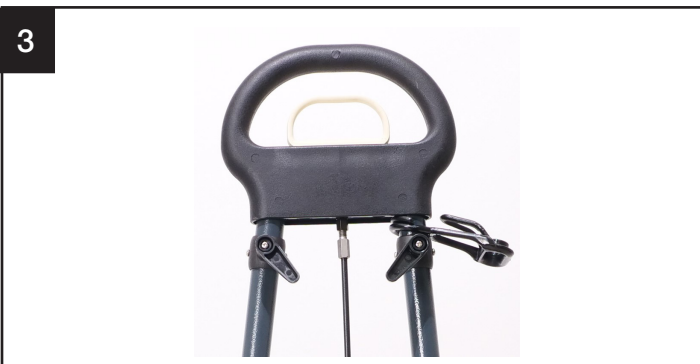
## 1. Assembly



1  
Insert the two tubular handles into the bottom handle, lightly secure them using the knobs. Make sure that the handles are assembled according to their marked position (L and R) and the cable holding hooks are pointed towards the rear.



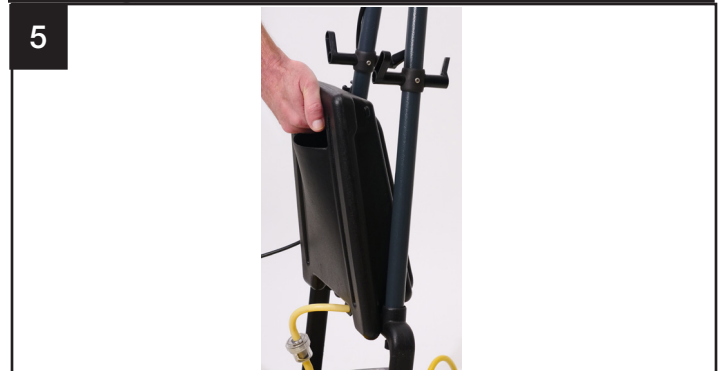
2  
Slide the electric cable retainer onto the top portion of handle marked R.



3  
Fit the top handle over the tubular handles and secure them with washers and screws. Make sure that the label on the top handle is facing the front of the machine. Tighten both knobs and screws with the provided Allen wrench. Insert the plastic caps to cover the screws in the top handle.



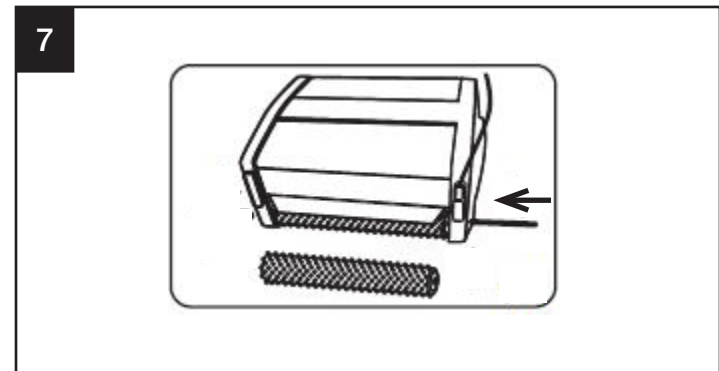
4  
Pass the free end of the pull cable through the plastic guide in the handle marked R.



5  
Fix the solution tank firmly into the bottom handle by holding the top handle.



6  
Rotate the knob to hold the solution tank.

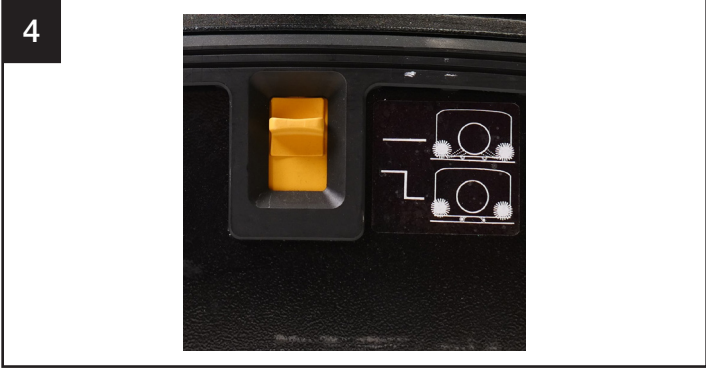


7  
Push the shafts through the brushes from the side of the machine.

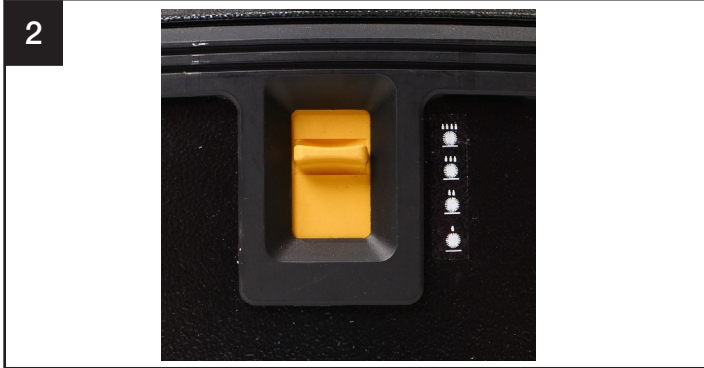
# 2. Operating Instructions



1 Verify that the brushes are fitted properly.



4 Move the Yellow slider on the right hand side of the unit to the working (UP) position



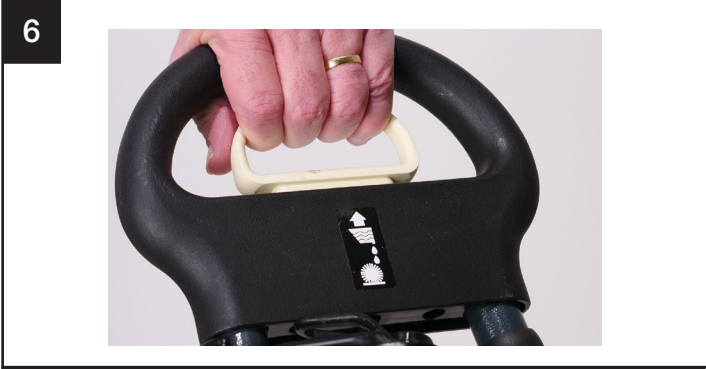
2 Set the brush pressure using the Yellow slider on the left hand side.



5 Start the machine by pressing the handle release pedal and pulling the handle back.



3 Fill fresh water tank with cleaning solution.



6 Move forward, while pulling the solution control handle.

# 3. Additional Parts Required

1. The purpose of these caps is to distinguish between different brushes when the machine is used in different area. This just helps the operator easily identify the brushes to avoid cross contamination.



2. Select the brushes from the table below that best suit your application.

Brushes	P/N	Type of floor
Standard Brush	33982	Grouted Tile, Ceramic, Mosaic, Wood, Sports Floors, Rubber, Vinyl Tile
Soft Brush	33981	Marble, Granite, Slate
Hard Brush	33983	Smooth Concrete
Carpet Brush	33984	Short Pile Carpet