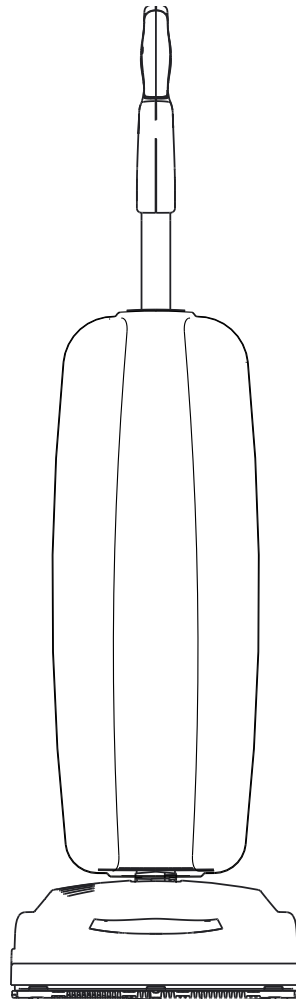


# **TORNADO**

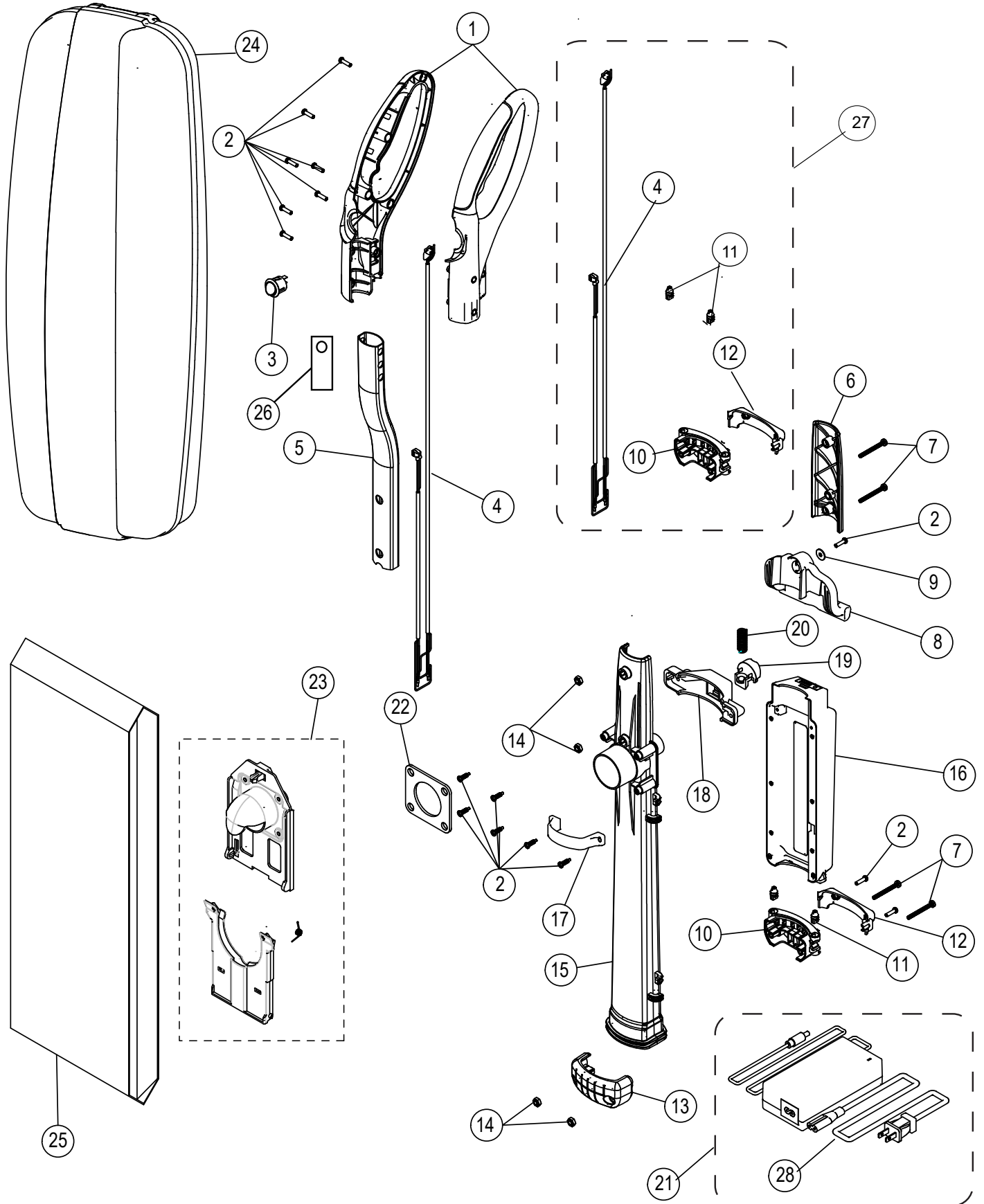
# **PARTS BOOK**

**ROAM MODEL 97300, 97300C**



# HANDLE AND MAIN BODY

# Tornado Model 97300, 97300C

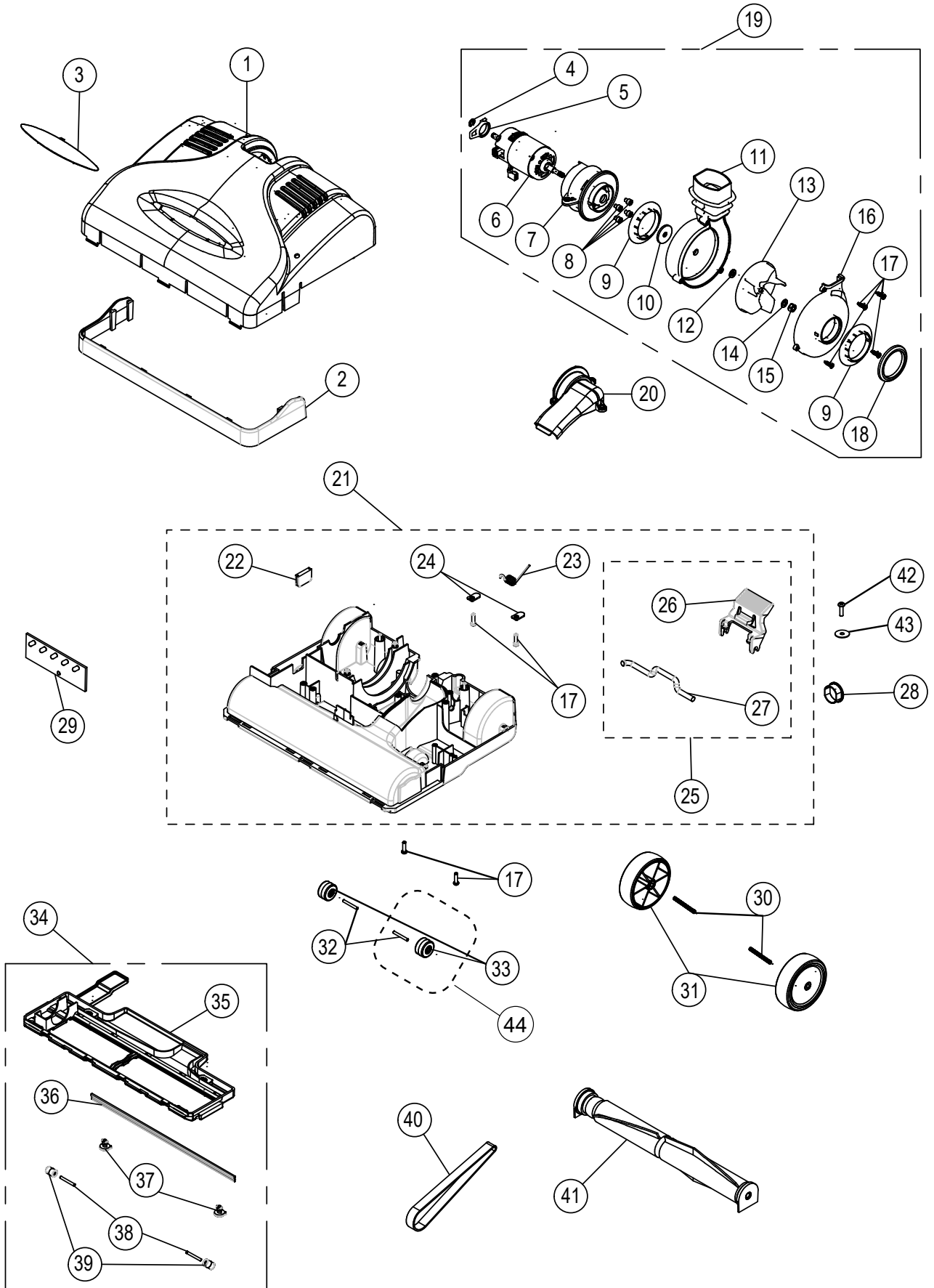


**HANDLE AND MAIN BODY****Tornado Model 97300, 97300C**

<b>KEY</b>	<b>PART NUMBER</b>	<b>DESCRIPTION</b>
1	C223-0114	Handle Grip Assembly
2	A732-8314	Screw
3	A328-1500	Switch
4	Not Available See #27	Wire Harness DC Handle/PCB Commercial
5	B220-3400	Handle Tube
6	B220-3114	Handle Back Cover
7	A432-0705	Screw
8	B223-0314	Carry Handle
9	A733-5100	Washer
10	B223-4214	Neck Coupling Back
11	Not Available See #27	Post For Battery ULW
12	B223-4314	Cable Cover
13	B220-1014	Neck Coupling Front
14	A432-0805	Hex Nut
15	B220-3014C	Handle Duct
16	C223-1800C-T	Battery
17	B223-0814	Battery Clamp
18	B223-4014	Latch Case
19	B223-4197	Latch Button
20	A224-0600	Latch Spring
21	C223-2000B	Charger
22	B220-3900	Bag Mount Seal
23	D484-2282	Bag Mount Assembly
24	B220-6700	Hard Shell Bag
25	90039	HEPA Bag (10 pack)
26	B388-5900	Polyurethane Handle Spacer
27	D223-6000	Wire Harness DC Handle/PCB Commercial #4 with Two #11 Posts For Battery ULW, #10 neck Coupling Back And #12 Cable Cover.
28	B223-6100	Charger Power Cord

# NOZZLE ASSEMBLY

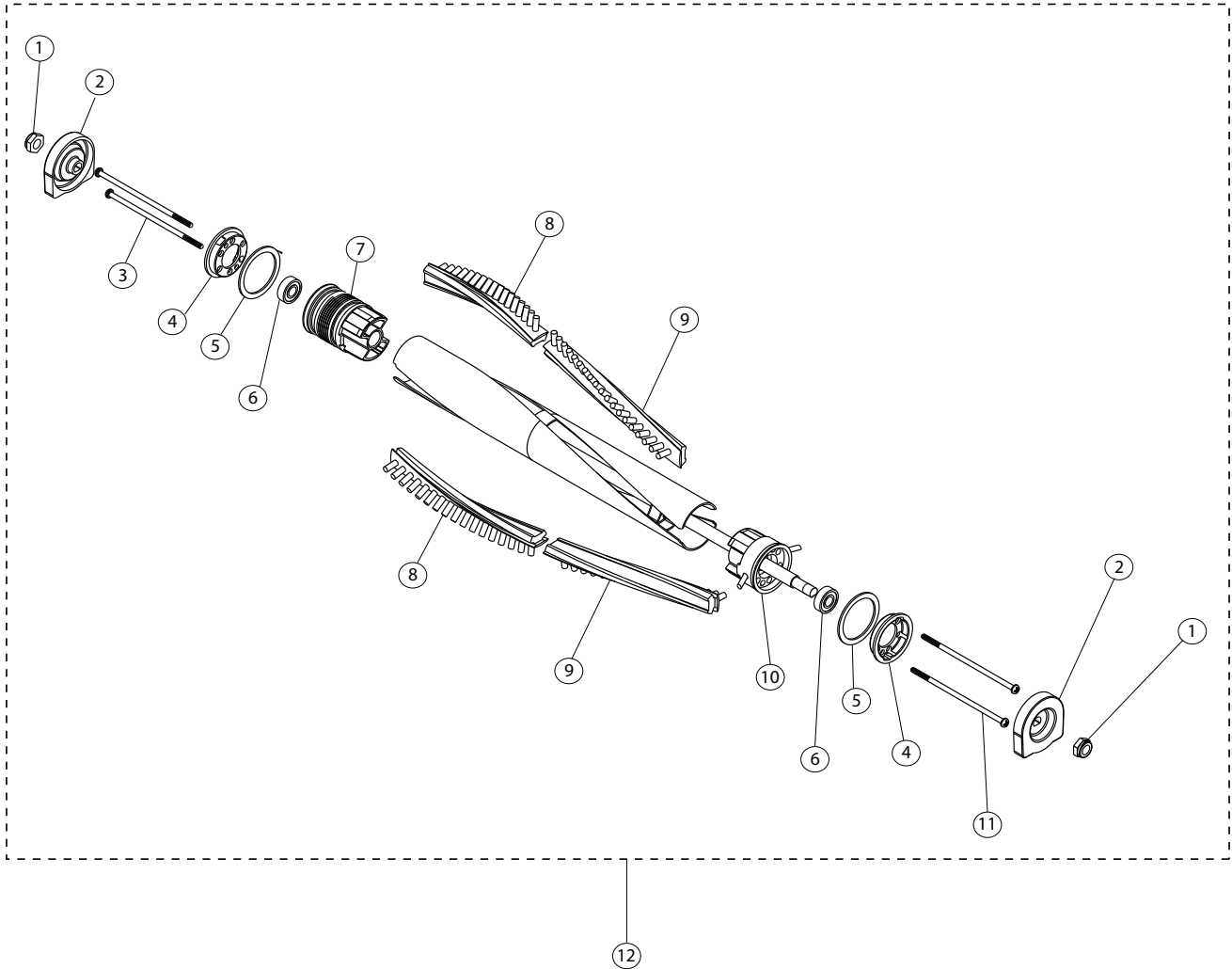
# Tornado Model 97300, 97300C



**NOZZLE ASSEMBLY****Tornado Model 97300, 97300C**

KEY	PART NUMBER	DESCRIPTION
1	B220-24T0	Nozzle Cover
2	B220-2614	Furniture Guard
3	B018-0415	Lens
4	A732-3000	E Clip
5	B223-2814C	Motor Support Boss
6	Order #19	Motor
7	B223-0114	Motor Housing
8	A733-5000	Screw M5 X 6mm Socket
9	B220-4414	Pivot Bushing
10	B220-4500	Felt Pivot Seal
11	B220-4014	Scroll Housing Right
12	A733-3300	Washer (Behind Fan)
13	B220-4314	Motor Fan
14	A733-2200	Washer
15	A432-0605	Hex Nut
16	B220-4114	Scroll Housing Left
17	A732-8314	Pan Head Hi Lo Screw #8 X 5/8
18	B480-4514	Motor Inlet Seal
19	D223-2100	Motor Assembly
20	B220-0214	Inlet Duct Cover
21	D220-0114	Basetray Assembly
22	B016-1914	Basetray Plug
23	B220-0900	Upright Stop Spring
24	54.136	Rear Axle Clamp
25	D220-0714	Upright Stop Pedal Assembly
26	B220-0714	Upright Stop Pedal
27	B220-0800	Upright Stop Pedal Pivot
28	A018-1414	Hole Plug
29	B317-1150K	LED PC Board Commercial
30	B010-2800C	Large Wheel Axle
31	C220-0531C	Rear Wheel (See #44)
32	B010-0001E	Front Wheel Axle (See #44)
33	C010-2714B	Front Wheel With Bushing
34	D220-0414	Baseplate Assembly
35	B220-0314	Baseplate
36	B015-3000B	Squeegee
37	B220-0414	Baseplate Screw

KEY	PART NUMBER	DESCRIPTION
38	B370-1700B	Baseplate Wheel Axle
39	B370-1843	Baseplate Wheel
40	B014-0814B	Belt (2 pack)
41	D012-2300	Agitator
42	A732-2500	Combination Screw M4 X 12 ULW
43	B034-0100	Strain Relief Washer
44	D010-2631	Front Wheel With Bushing And Front Wheel Axle ( One #32 & One #33 Included)



KEY	PART NUMBER	DESCRIPTION
1	Not Available	1/4 - 28 Locking Hex Nut
2	B013-1600	Metal End Cap
3	A733-1810	Screw Pulley End 80mm
4	B475-1900	Retainer Ring
5	B375-3900	Felt Seal
6	A375-0200	Bearing
7	B220-1200	Pulley Clamping Design for Flat Belt
8	B013-0301B	Short Brush Strip White
9	B013-0401B	Long Brush Strip White
10	B013-1500	Agitator Bearing Holder With Edge Brushes Clamping Design
11	A733-1800	Screw Non-Pulley End 40mm
12	D012-2300	Steel Agitator Assembly White Brushes