



**TORNADO INDUSTRIES, LLC**  
**3101 WICHITA COURT**  
**FORT WORTH, TX 76140**  
**PHONE 800-VACUUMS**  
**FAX 817-551-0719**  
**WWW.TORNADOVAC.COM**

**Parts Manual**  
**For Commercial Use Only**



**TASKFORCE© TROT-MOP™ WET/DRY VACUUM**  
**MODEL NO: 94236**



## Long -Term Buyer Protection Limited Warranty

Tornado Industries, LLC. warrants to the end user/ customer that the Tornado product(s) will be free from defects in material and workmanship for the duration(s) described below. This limited warranty DOES NOT cover machines and/or components subject to normal wear and tear, damage that occurs in shipping, failures resulting from modification, accident, unsuitable operating environment, misuse, abuse, **neglect, or improper maintenance**. For full details, contact your Authorized Tornado Distributor, Service Center, or the Tornado Technical Service Department. Tornado sales and service representatives are not authorized to waive or alter the terms of this warranty, or to increase the obligations of Tornado under the warranty.

**10 Years\***

**Plastic water tanks and Rotationally-molded bodies**

**2 Years\***

**Parts on all Tornado cleaning equipment**

**1 Year\***

**Labor on all Tornado cleaning equipment**

**1 Year\***

**Warranty on batteries, one year prorated**

All battery warranties are handled directly by the battery manufacturer, on a one year prorated basis

### Terms subject to change without notice

1. All Windshear™ Blowers, Storm, TV2SS, Side and Dowlndraft, Insulation Blowers, CV 30, CV 38, CK14/1 PRO, CK 14/2 PRO, SWM 31/9, CK LW13/1, CK LW 13/1 ROAM, CV 38/48 Dual, PV6, PV10, PV6 ROAM, Wall Mount Vacuum and all chargers are warranted for 1 (one) year for both parts and labor.
2. All non-wear item parts purchased after warranty expiration are warranted for 90 days.
3. Warranty starts from either: The date of sale to the consumer, or 6 months after the dealer purchased the unit from Tornado (at Tornado's discretion), whichever comes first.
4. The EB 30 is warranted for a period of 90 days for both parts and labor.
5. Propane-powered equipment engines are limited to the engine manufacturer's warranty.
6. Ride-on Scrubbers are warranted for 24 months parts, and 6 months labor, or 1,000 hours, whichever occurs first.

**Note:** Tornado, The Latest Dirt, Floorkeeper, Carpet-keeper, Carpetrinser, Carpetrinser/Dryer, Headmaster, Taskforce, PAC-VAC, T-Lite, Glazer, Windshear, Max-Vac and Trot-Mop are trademarks of Tornado Industries

**Website:** [www.tornadovac.com](http://www.tornadovac.com)

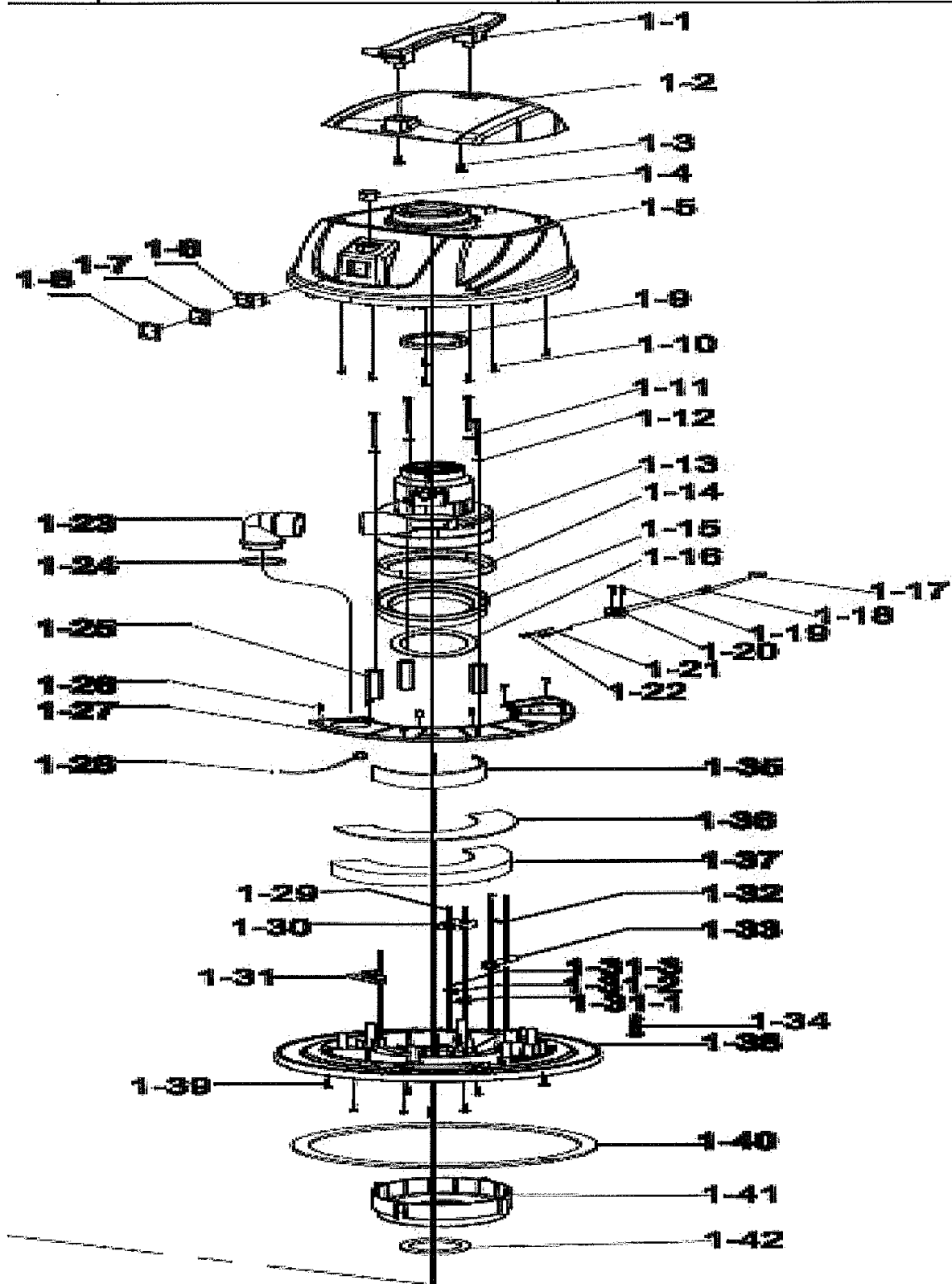
Phone 1-800-VACUUMS

Fax 817-551-0719

Address 3101 Wichita Court

Fort Worth, TX 76140

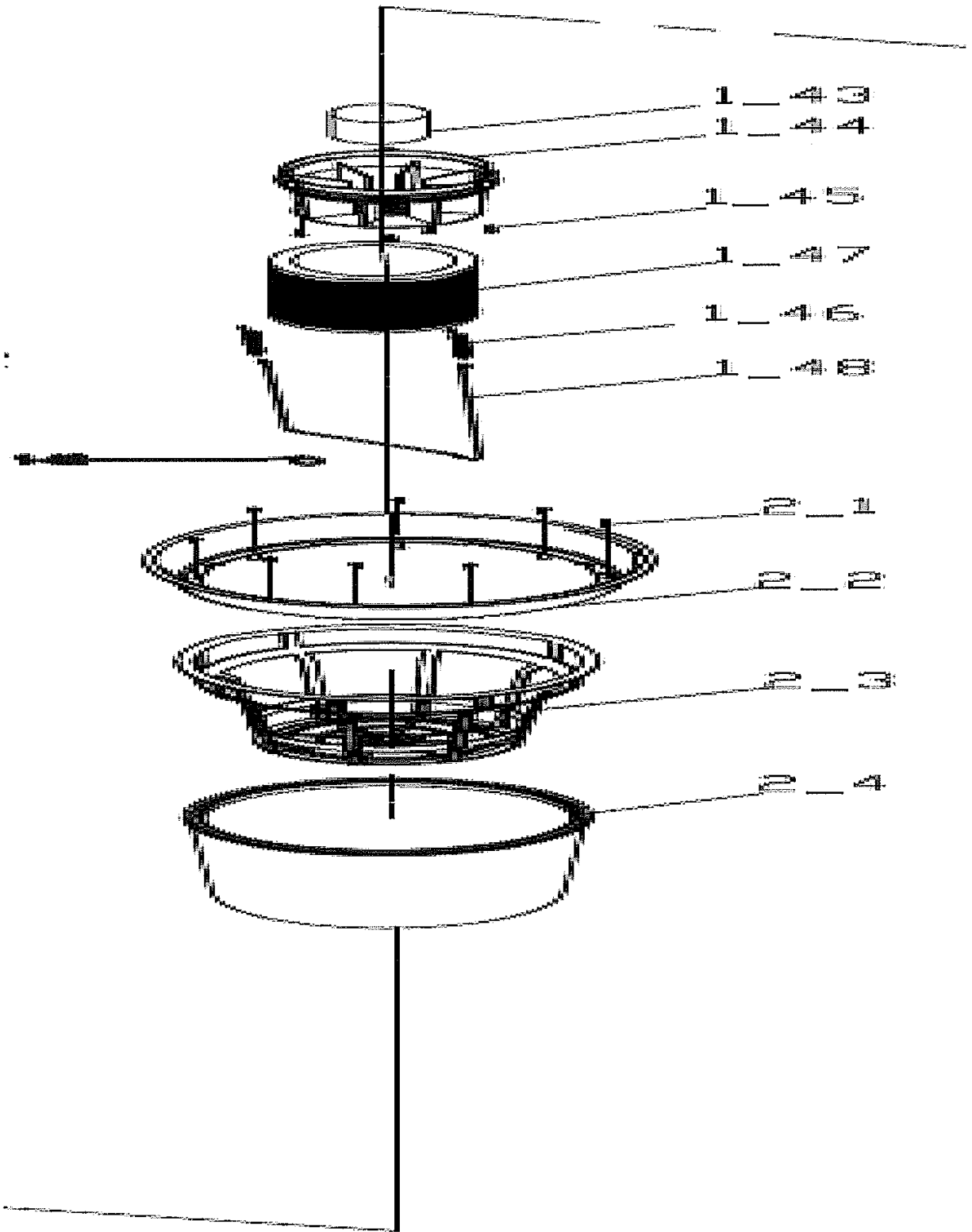
<b>Table of Contents</b>	
Head Assembly	4
Filter Assembly	6
Tank Assembly	8
Trolley Assembly	10
Squeegee Assembly	12
Attachments	14



Return To TOC

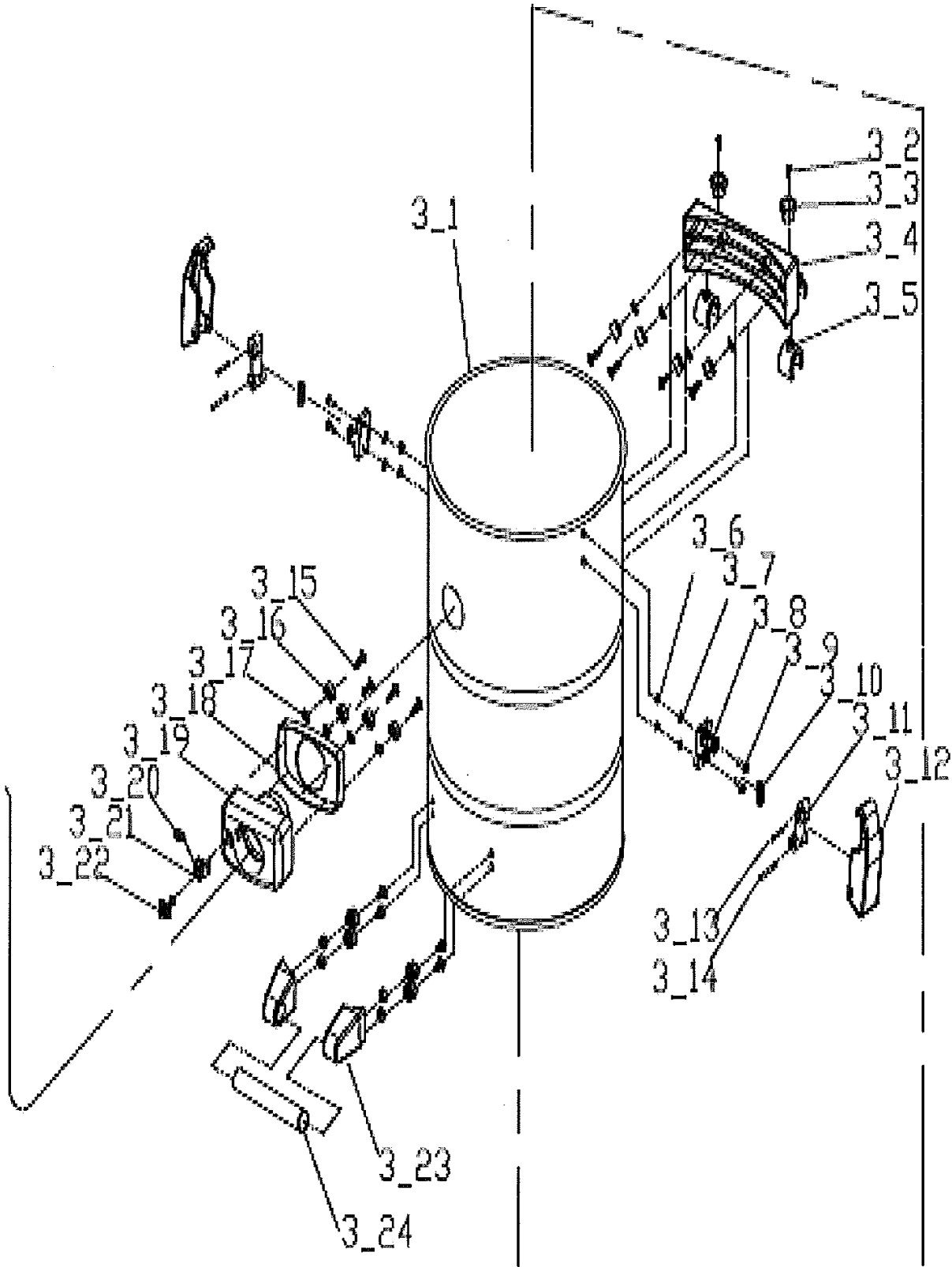
No.	Part No.	Qty	Description
1	95260		Complete Top Head Ass'y
1_1	3239AA-20	1	Handle
1_2	3539AA-03	1	Top Cover
1_3	3206DS-01	2	Screw 1/4 x 15
1_4	3539AA-13	1	Cap Of Indicator
1_5	3539AA-02	1	Middle Cover
1_6	3215BS-01A	1	Power Sw.
1_7	3101BJ-15B	1	Protector
1_8	3101BJ-15A	1	Protector
1_9	3550GP-02	1	Seal_3
1_10	3202DS-02	7	Screw M4 x 16
1_11	3539DS-02	3	Screw M5 x 85
1_12	3216DW-01	4	Washer
1_13	5116W	1	Motor
1_14	3200GP-02	1	Gasket Of Motor
1_15	3536AA-01	1	Holder Of Motor
1_16	3536KF-01	1	Gasket
1_17	3215BE-01	1	Capacitor
1_18	KK-01	2	Sleeve
1_19	3285DS-04	2	Screw M3.5 x 20
1_20	59006BE-01	3	Terminal Block
1_21	3539DE-03	1	Wire
1_22	3539DE-04	1	Wire 16AWG,Length 35CM - BLACK
1_23	3539AA-04	1	Bend Connector
1_24	3539KF-02	1	Seal-2
1_25	3539LA-01	3	Support
1_26	3208DS-07	12	Screw M3.2 x 12
1_27	3539AA-10	1	Sealed Plated
1_28	3539DE-09	1	Earth Wire
1_29	3200DS-02	3	Screw M3 x 8
1_30	3539AA-100	1	Holder B
1_31	3539AA-12	1	Connector Of Vacuuming Sw.
1_31_1	3539PA-01	1	Spring
1_31_2	3208DS-07	1	Screw 35. x 12
1_31_3	3238DE-11	1	Static Wire 16AWG,30CM GREEN
1_32	3208AA-25	1	Plate
1_33	3213GP-01B	1	Strain Relief
1_34	3539DEA-01-1	1	Power Cord
1_35	3539KF-04	1	Sponge-3
1_36	3539KF-03	1	Sponge-2
1_37	3539KF-01	1	Sponge-1
1_38	3539AA-99	1	Motor Base
1_39	3208DS-01	6	Screw M4 x 18
1_40	3239KF-03A	1	Gasket
1_41	3539AA-05	1	Holder
1_42	3238KF-01	1	Gasket

Return To TOC



Return To TOC

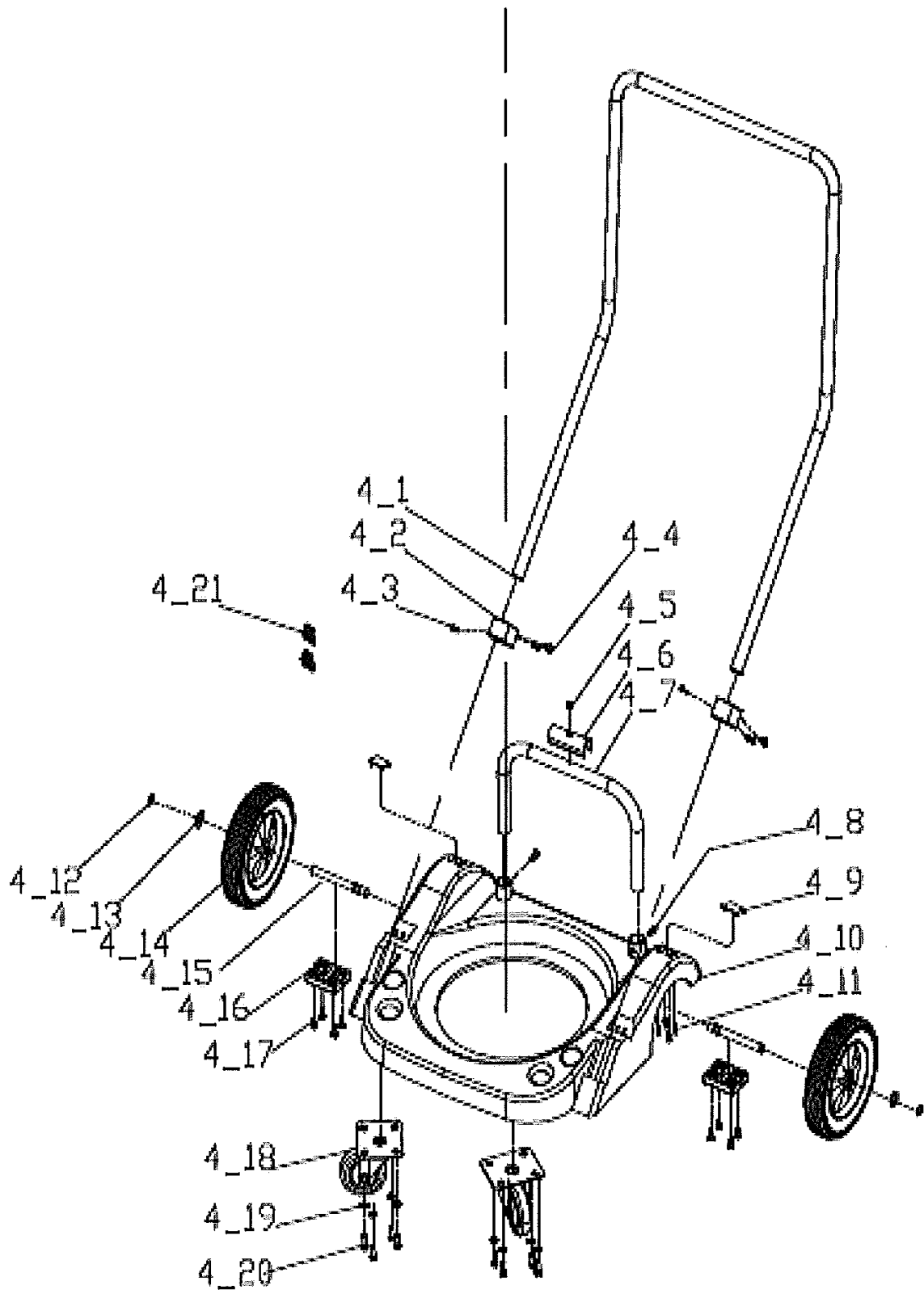
No.	Part No.	Qty	Description
1_43	3238AA-30	1	Float
1_44	3238AA-31	1	Frame
1_45	3539DS-01	4	Screw M5 x 55
1_46	3238DH-03	2	Spring
1_47	LQ-A150 180W1	1	Filter Cartridge
1_48	3238PS-01	1	Hook
1_49	5101BJ-01	2	Tie
2	32386M-03	1	Filter Ass'y
2_1	3238DS-07	8	Screw M4 x 18
2_2	3238AA-05	1	Holder
2_3	3238AA-22A	1	Frame
2_4	32386M-03	1	Filter
2_4_1	3238UU-04	1	Gasket



Return To TOC

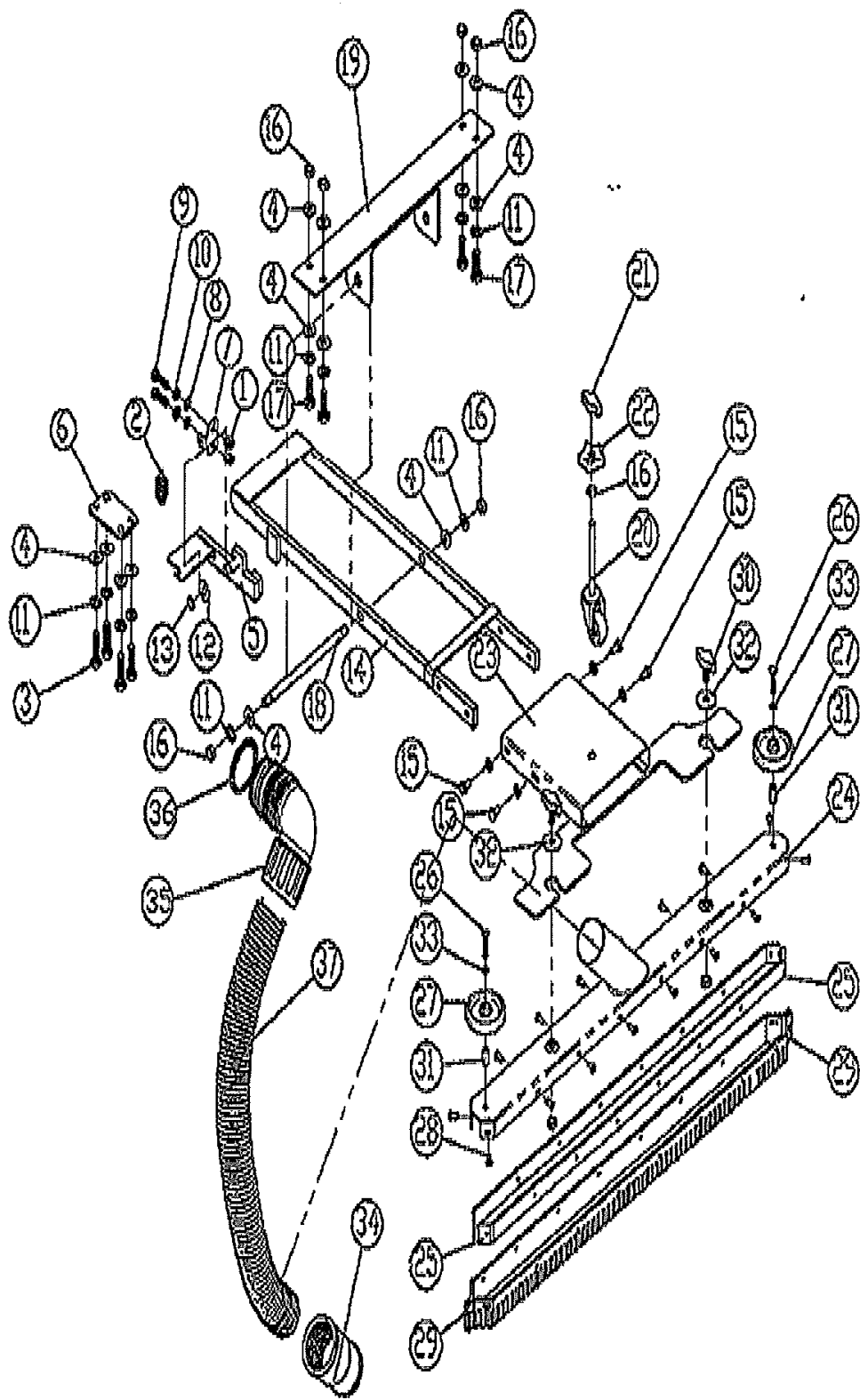


No.	Part No.	Qty	Description
3	32386M-02	1	Tank Ass'y
3_1	3238PU-04	1	Tank
3_2	3201DS-07	2	Screw M4 x 10
3_3	3238AA-20	2	Holder
3_4	3238AA-18	1	Support
3_5	3238AA-19	2	Fixer
3_6	3238DN-01	4	Nut
3_7	3238DW-02	4	Washer
3_8	3238AA-13B	2	Clip Base
3_9	3238DS-05	4	Screw M4 x 8
3_10	3238DH-02A	2	Spring
3_11	3238AA-12B	2	Clip Holder
3_12	3238AA-11	2	Clip
3_13	3238LS-02	2	Pin-Short 3.9 x 25.5L
3_14	3238LS-03	2	Pin-Long 3.9 x 40L
3_15	3238DS-06	12	Screw M5 x 25
3_16	3238AA-17	12	Holder
3_17	3238GP-02	12	Washer
3_18	3238GP-01	1	Fender
3_19	3238AA-14	1	Suction Coupler
3_20	3238DH-01	1	Spring
3_21	3238AA-15	1	Holder
3_22	3238AA-16	1	Button
3_23	3238AA-21	2	Holder Of Hnadle
3_24	3238UU-03	1	Handle



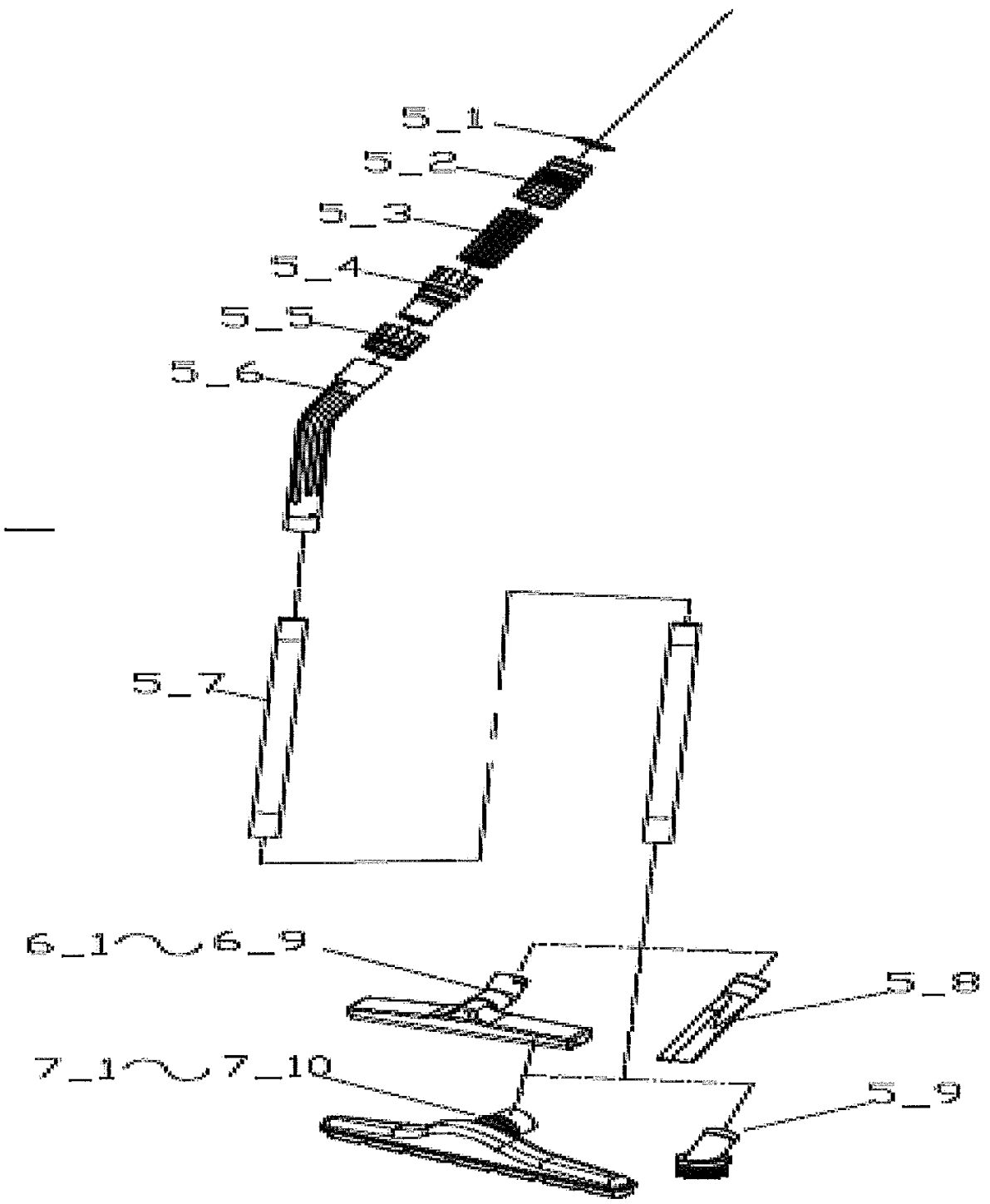
Return To TOC

No.	Part No.	Qty	Description
4	32386M-01	1	Trolley Ass'y
4_1	3238UU-01A	1	Handle
4_2	3238AA-08	2	Holder
4_3	3285DS-05	2	Screw M4 x 16
4_4	3208DS-01	4	Screw M4 x 18
4_5	3287DS-02	1	Screw M4 x 5
4_6	3238AA-10	1	Cover
4_7	3238UU-02	1	Supportor
4_8	3238DS-02	2	Screw M5 x 12
4_9	3238AA-44	2	Cover
4_10	3238AA-06	1	Trolley
4_11	3240DS-07	8	Screw M4 x 12
4_12	3238DWR-01	2	C-Ring
4_13	3238DW-01	4	Washer
4_14	3238BJ-02M	2	Rear Wheel
4_15	3238LS-01	2	Axle
4_16	3238AA-07	2	Plate
4_17	3238DS-12	8	Screw M5 x 50
4_18	3238BJ-01M	2	Front Caster
4_19	5101DW-02	8	Washer
4_20	3238DS-03	8	Screw M8 x 30
4_21	3239AA-18	2	Fixer



Return To TOC

No.	Part No.	Qty	Description
1	3216DN-03	2	Nut
2	FM12	1	Spring
3	FM17	8	Screw M8 x 30
4	5101DW-03	14	Washer
5	FM22	1	Hook Assembly
6	FM36	1	Plate
7	FM23	1	Plate
8	3295DW-02	6	Washer
9	FM18	2	Pin M6 x 25
10	3239DW-01	2	Spring Washer
11	33600DN-02	10	Lock Washer
12	FM34	1	Washer
13	FM35	1	C-Ring
14	FM14	1	Pedal
15	FM19	4	Pin
16	FM20	7	Nut
17	FM21	4	Screw M8 x 25
18	FM11	1	Squeegee Pin
19	FM40	1	U-Shaft Assembly
20	WD171	1	Squeegee Adjustment Wheel
21	WD169	1	Thumb Wheel
22	FM7	1	Adjustment Knob
23	WD177	1	Mounting Plate
24	WD174	1	Squeegee Body
25	WD175	2	Retainer Spring
26	FM38	2	Screw M5 x 25
27	FM2	2	Squeegee Wheel
28	3201DS-04A	16	Screw M4 x 10
29	FM10	1	Squeegee Blade Set
30	WD172	2	Wing Nut
31	FM38	2	Spacer
32	5105DW-010Y	2	Washer
33	FM42	2	Washer
34	FM10	1	Connector
35	FM24	1	Elbow
36	WD191	1	Gasket
37	FM25	1	Squeegee Hose Gasket



Return To TOC

No.	Part No.	Qty	Description
5	32386M-08		Hose Ass'y From 5-1 ~ 5-6
5_1	3238GP-04A	1	Seal
5_2	3238AA-32P	1	Connector
5_3	3238BJ-04	1	Hose 3M
5_4	3238AA-33A	1	Inner Connector
5_5	3238AA-34	1	Outer Connector
5_6	3238AA-36	1	Bend Connector
5_7	3238PU-02	2	Extension Pipe
5_8	3238AA-42	1	Crevice Tool
5_9	3238AA-43y	1	Round Brush
6	32386M-06	1	Brush Nozzle Ass'y
7	32966M-09	1	Squeegee Nozzle Ass'y