



TORNADO INDUSTRIES, LLC
3101 WICHITA COURT
FORT WORTH, TX 76140
PHONE 800-VACUUMS
FAX 817-551-0719
WWW.TORNADOVAC.COM

Parts Manual
For Commercial Use Only



TASKFORCE® 10 WET/DRY VACUUM
MODEL NO: 94234



Long -Term Buyer Protection Limited Warranty

Tornado Industries, LLC. warrants to the end user/ customer that the Tornado product(s) will be free from defects in material and workmanship for the duration(s) described below. This limited warranty DOES NOT cover machines and/or components subject to normal wear and tear, damage that occurs in shipping, failures resulting from modification, accident, unsuitable operating environment, misuse, abuse, **neglect, or improper maintenance**. For full details, contact your Authorized Tornado Distributor, Service Center, or the Tornado Technical Service Department. Tornado sales and service representatives are not authorized to waive or alter the terms of this warranty, or to increase the obligations of Tornado under the warranty.

10 Years*

Plastic water tanks and Rotationally-molded bodies

2 Years*

Parts on all Tornado cleaning equipment

1 Year*

Labor on all Tornado cleaning equipment

1 Year*

Warranty on batteries, one year prorated

All battery warranties are handled directly by the battery manufacturer, on a one year prorated basis

Terms subject to change without notice

1. All Windshear™ Blowers, Storm, TV2SS, Side and Dowlndraft, Insulation Blowers, CV 30, CV 38, CK14/1 PRO, CK 14/2 PRO, SWM 31/9, CK LW13/1, CK LW 13/1 ROAM, CV 38/48 Dual, PV6, PV10, PV6 ROAM, Wall Mount Vacuum and all chargers are warranted for 1 (one) year for both parts and labor.
2. All non-wear item parts purchased after warranty expiration are warranted for 90 days.
3. Warranty starts from either: The date of sale to the consumer, or 6 months after the dealer purchased the unit from Tornado (at Tornado's discretion), whichever comes first.
4. The EB 30 is warranted for a period of 90 days for both parts and labor.
5. Propane-powered equipment engines are limited to the engine manufacturer's warranty.
6. Ride-on Scrubbers are warranted for 24 months parts, and 6 months labor, or 1,000 hours, whichever occurs first.

Note: Tornado, The Latest Dirt, Floorkeeper, Carpet-keeper, Carpetrinser, Carpetrinser/Dryer, Headmaster, Taskforce, PAC-VAC, T-Lite, Glazer, Windshear, Max-Vac and Trot-Mop are trademarks of Tornado Industries

Website: www.tornadovac.com

Phone 1-800-VACUUMS

Fax 817-551-0719

Address 3101 Wichita Court

Fort Worth, TX 76140

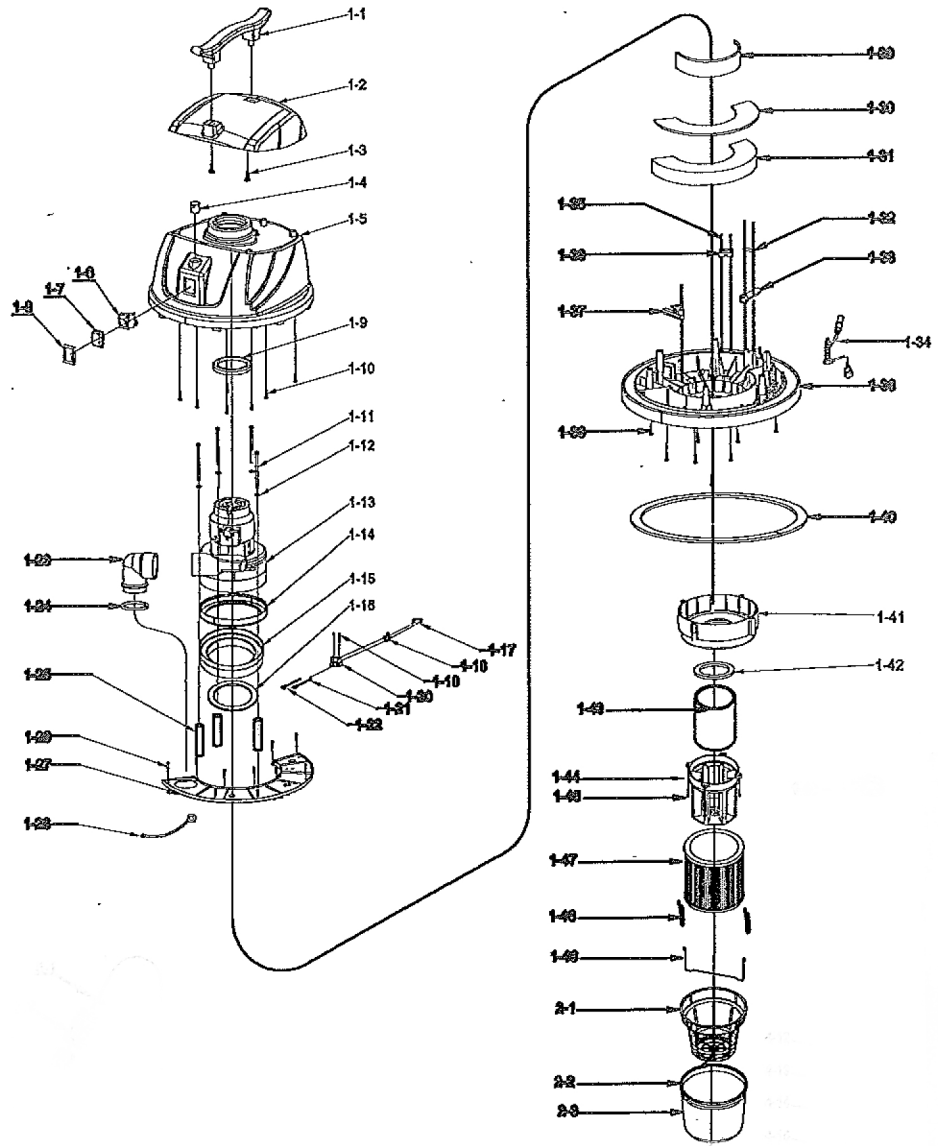
1-800-VACUUMS

Over 90 Years of Cleaning Innovation

A Tacony Company

Table of Contents

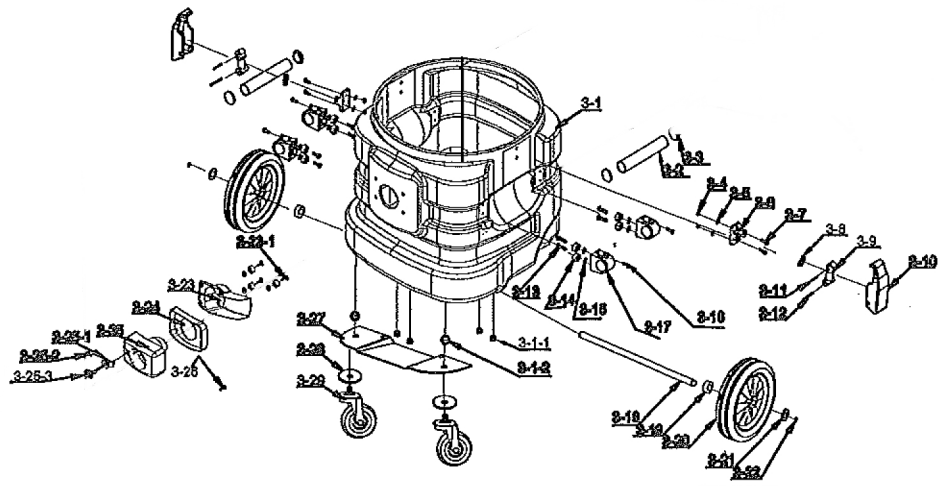
Vac Head and Filter	4
Tank	6
Attachments	8



Return To TOC

No.	Part No.	Qty	Description
1	35366M	1	Top Head Assembly
1_2	33447	1	Top Cover w/Handle
1_4	3539AA-13	1	Cap
1_5	33448	1	Top Housing
1_6	3215BS-01A	1	Power Switch
1_7	3101BJ-15B	1	Switch Cover
1_8	3101BJ-15A	1	Switch Cover
1_9	3550GP-02	1	Rubber Seal
1_10	3202DS-02	7	Screw M4 x 16
1_11	3539DS-02	3	Screw M5 x 85
1_12	3216DW-01	4	Washer
1_13	5116W	1	Motor (2 Stage)
1_14	3200GP-02	1	Gasket
1_15	3536AA-01	1	Housing Base
1_16	3536KF-01	1	Gasket
1_17	3215BE-01	1	Capacitor
1_18	KK-01	2	Sleeve
1_19	3285DS-04	2	Screw M3.5 x 20
1_20	59006BE-01	3	Terminal Block
1_21	3539DE-03	1	Wire, Black 35cm L.
1_22	3539DE-04	1	Wire, White 35cm L.
1_23	3539AA-04	1	Bend Connector
1_24	3539KF-02	3	Seal
1_25	3539LA-01	3	Spacer
1_26	3208DS-07	12	Screw M3.5 x 12
1_27	3539AA-10	1	Plate
1_28	3539DE-09	1	Earth Wire Yellow/Green 25 cm L.
1_29	3539KF-04	1	Foam-1
1_30	3539KF-03	1	Foam-2
1_31	3539KF-01	1	Foam-3
1_32	3208AA-25	1	Wire Plate
1_33	3213GP-01B	1	Strain Relief
1_34	3238DEA-05	3	Power Cord
1_35	3200DS-02	3	Screw M3 x 8
1_36	3239AA-10	1	Plate
1_37	3539AA-12	1	Holder
1_38	3539AA-01	1	Motor Base
1_39	3208DS-01	6	Screw M4 x 18
1_40	3239KF-03A	1	Gasket
1_41	3539AA-05	1	Holder
1_42	3238KF-01	1	Gasket
1_43	3238AA-30	1	Float
1_44	3238AA-31	1	Float Cage
1_45	3539DS-01	4	Screw M5 x 55
1_46	3238DH-03	2	Spring
1_47	LQ-A150 180W1	1	Washable Filter Cartridge
1_48	3238PS-01	1	Hook
1_49	5101BJ-01	2	Tie
2	32396M-04	1	Filter Assembly
2_1	3238AA-22A	1	Frame
2_2	3239UU-05	1	Gasket
2_3	3208UU-03	1	Fabric

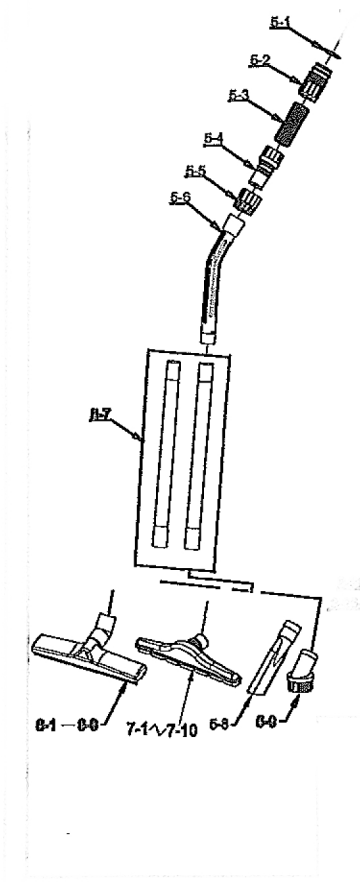
Return To TOC



Return To TOC

No.	Part No.	Qty	Description
3	35276M-01	1	Tank Assembly
3_1	PF15AA-02	1	Tank Assembly
3_1_1	3527DN-08	4	Nut
3_1_2	3527DN-07	2	Nut
3_2	3238UU-03	2	Grip
3_3	3527AA-02	4	Holder
3_4	3238DN-01	4	Nut
3_5	3238DW-02	4	Washer
3_6	3238AA-13B_19	2	Clip Base
3_7	3527DS-04	4	Screw M4 x 12
3_8	3238DH-02A	2	Spring
3_9	3238AA-12B_19	2	Clip Holder
3_10	3238AA-11_19	2	Clip
3_11	3238LS-02	2	Pin-Short M3.9 x 25.5
3_12	3238LS-03	2	Pin-Long M3.9 x 40
3_13	3238DS-07	8	Screw M4 x 18
3_14	3238AA-17	14	Holder
3_15	3238GP-02	14	Rubber Washer
3_16	3285DS-05	4	Screw M4 x 16
3_17	3238AA-08	4	Holder
3_18	3527LS-01	1	Axle
3_19	3239AA-05	2	Bushing
3_20	3527BJ-02M	2	Rear Wheel, 7" x 1.5"
3_21	3238DW-01	8	Washer
3_22	3238DWR-01	2	C-Ring
3_23	3239AA-27	1	Deflector
3_23_1	3527DS-10	3	Screw M5 x 30
3_24	3238GP-01_19	1	Rubber Washer
3_25	3238AA-14	1	Hose Coupler
3_25_1	3238AA-15_08	1	Release Button Base
3_25_2	3238DH-01	1	Spring
3_25_3	3238AA-16_08	1	Button
3_26	3238DS-06	1	Screw M5 x 25
3_27	3527PS-08	1	Bracket
3_28	3527DW-03	2	Washer
3_29	3527BJ-01M	2	Front Caster

Return To TOC



Return To TOC

No.	Part No.	Qty	Description
5_1	WD191	1	Gasket
5_2	WD24	1	Connector
5_3	WD25	1	Hose
5_4	WD26	1	Connector
5_5	WD27	1	Wand Holder
5_6	WD28	1	Bend Connector
5_7	WD29	2	Extension Wand
5_8	WD32	1	Crevice Tool
5_9	WD33	1	Round Brush
6	WD112	1	Brush Nozzle Assembly
7	WD30A	1	Squeegee Nozzle Assembly

[Return To TOC](#)