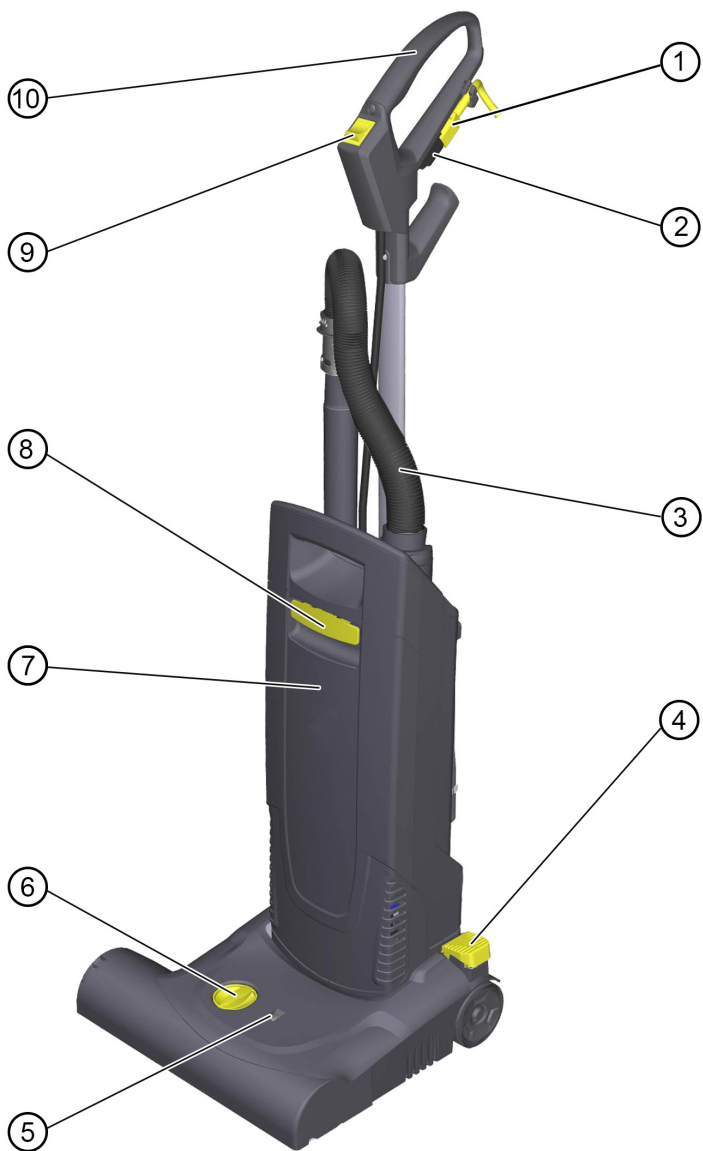


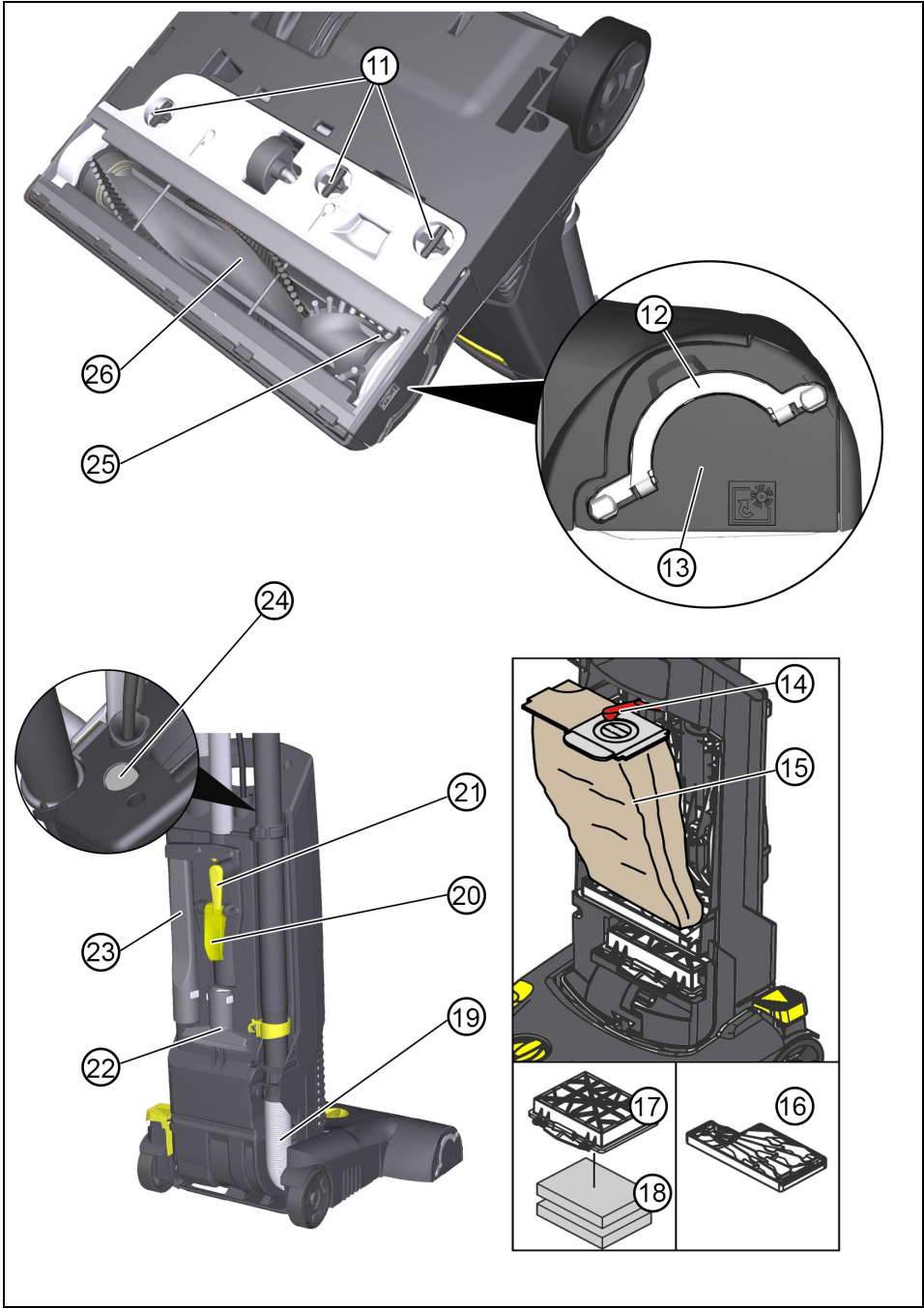


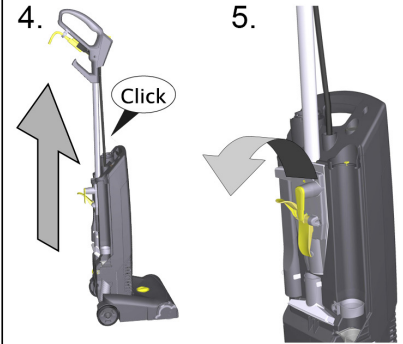
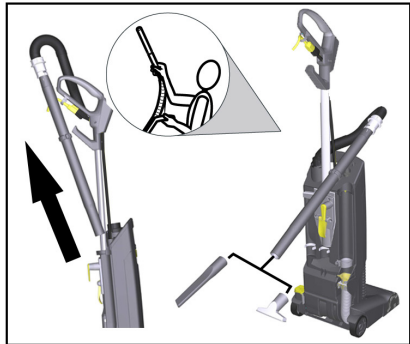
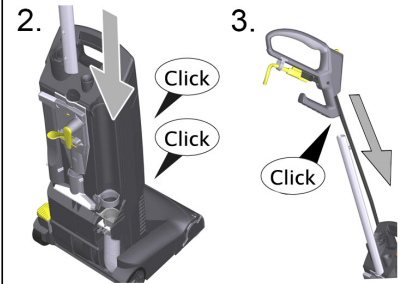
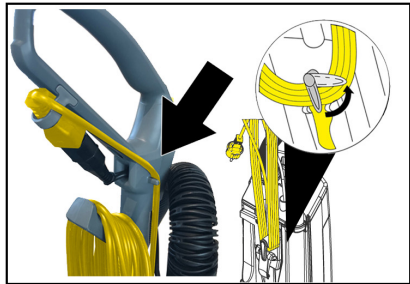
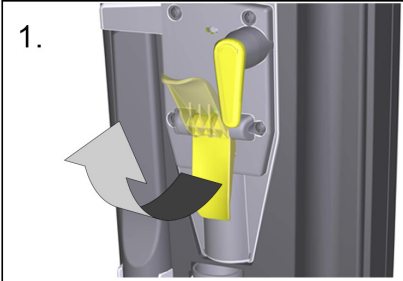
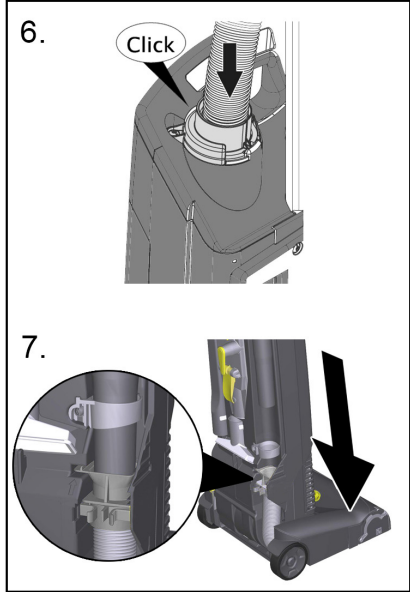
**CVD 38/2**  
**CVD 48/2**

English	5
Français	13
Español	22









## Contents

IMPORTANT SAFETY INSTRUCTIONS . . . . .	5
General notes . . . . .	7
Environmental protection . . . . .	7
Hazard levels . . . . .	7
Intended use . . . . .	8
Symbols on the appliance . . . . .	8
Device elements . . . . .	8
Installation . . . . .	8
Startup . . . . .	9
Operation . . . . .	9
Transport . . . . .	9
Storage . . . . .	10
Care and service . . . . .	10
Troubleshooting guide . . . . .	11
Warranty . . . . .	12
Accessories and spare parts . . . . .	12
Technical data . . . . .	12

## IMPORTANT SAFETY INSTRUCTIONS

### READ ALL INSTRUCTIONS BEFORE USING THIS MACHINE

- Inform your dealer immediately if there is any shipping damage.
- Completely remove the accessories from the box.
- The suction unit is not suitable for sucking up hazardous dusts as asbestos. Please consult your Tornado branch or your Tornado dealer with regard to such applications.
- Only operate the vacuum from a grounded outlet. Refer to the Technical data for the necessary main fuse.
- CONNECT VACUUM CLEANER WITH PROPERLY GROUNDED OUTLET ONLY. See Grounding Instructions.

### SAVE THESE INSTRUCTIONS

**This vacuum is intended for commercial use.**

### SAFETY INSTRUCTIONS

When using an electrical machine, basic precautions should always be followed, including the following:

- 1 DISCONNECT VACUUM CLEANER FROM POWER CIRCUIT before removing the cover, performing maintenance work, and when not in use.
- 2 DO NOT LEAVE the machine unattended when plugged in.
- 3 ALWAYS CHECK THE POWER SUPPLY CORD for damage or signs of any aging before each use.
- 4 DO NOT PULL OR CARRY VACUUM CLEANER BY CORD. Do not close door on cord or pull cord around sharp edges.
- 5 KEEP CORD AWAY FROM HEAT AND OIL. Do not leave cord lying around after job is complete. It can become a tripping hazard.
- 6 DO NOT RUN VACUUM OVER CORD.
- 7 TURN SWITCH TO OFF before unplugging power supply cord.
- 8 DO NOT UNPLUG BY PULLING CORD. To unplug, grasp plug, not cord.
- 9 DO NOT GRASP PLUG WITH WET HANDS.
- 10 A DAMAGED CORD OR PLUG should only be replaced by an authorized service center representative. DO NOT ATTEMPT TO REPAIR POWER CORD.
- 11 TO AVOID SHOCK, do not expose to rain. Store indoors.
- 12 USE ONLY AS RECOMMENDED BY THIS MANUAL. Use only with recommended attachments.
- 13 KEEP HAIR, CLOTHING, LOOSE JEWELRY, FINGERS and all parts of the body away from openings and moving parts.
- 14 DO NOT BLOCK OR OBSTRUCT OPENINGS. Keep openings free of lint, hair, dust, and anything that restricts air flow.
- 15 DO NOT PICK UP ANYTHING THAT IS BURNING, smoldering, or smoking such as matches, cigarettes, or hot ashes.
- 16 DO NOT USE TO VACUUM COMBUSTIBLE EXPLOSIVE MATERIALS, such as coal, grain, and other finely divided combustible material.

17 DO NOT USE TO VACUUM COMBUSTIBLE, hazardous, toxic, or carcinogenic materials, including gasoline, diesel fuel, acetone, paint thinner, heating oils, undiluted acids and solvents, pesticide, and asbestos.

18 USE RECOMMENDED FILTERS when vacuuming drywall materials.

19 DO NOT USE WITHOUT FILTER and/or dust bag in proper place.

20 CONNECT VACUUM CLEANER WITH PROPERLY GROUNDED OUTLET ONLY. See Grounding Instructions.

21 DO NOT ALLOW VACUUM CLEANER TO BE USED AS A TOY. Keep children away from Vacuum Cleaner.

22 DO NOT LEAVE UNATTENDED while Vacuum Cleaner is running.

23 DO NOT USE IF CORD, PLUG, FILTER, OR VACUUM CLEANER IS IN POOR CONDITION. If the Vacuum Cleaner has been dropped, damaged, exposed to weather, or dropped into water; have it checked by an authorized service.

24 ALWAYS USE EYE PROTECTION when operating Vacuum Cleaner.

25 USE EXTRA CAUTION when operating on stairs.

26 STAY ALERT! Do not use Vacuum Cleaner when you are tired or under the influence of drugs, alcohol or medication.

### **GROUNDING INSTRUCTIONS**

- This appliance must be grounded. If it should malfunction or break down, grounding provides a path of least resistance for electric current to reduce the risk of electric shock.
- This appliance is equipped with a cord having an equipment grounding conductor and ground plug.
- The plug must be inserted into an appropriate outlet that is properly installed and grounded in accordance with all local codes and ordinances.

### **WARNING:**

- Improper connection of the equipment grounding conductor can result in a risk of electric shock.

- Check with a qualified electrician or service person if you are in doubt as to whether the outlet is properly grounded.
- Do not modify the plug provided with the appliance.
- If it will not fit the outlet, have a proper outlet installed by a qualified electrician.
- This appliance is for use on a nominal 120-volt circuit, and has a grounded plug that looks like the plug illustrated in Fig.A.
- A temporary adapter that looks like the adapter illustrated in Fig.B, may be used to connect this plug to a two-pole receptacle as shown in Fig.B, if a properly grounded outlet is not available.
- The temporary adapter should be used only until a properly grounded outlet (Fig.A) is installed by a qualified electrician.
- The green colored rigid ear, lug, or the like extending from the adapter must be connected to a permanent ground such as a properly grounded outlet box cover.
- Whenever the adapter is used, it must be held in place by a metal screw.
- **DO NOT ATTEMPT TO REPAIR POWER CORD.**

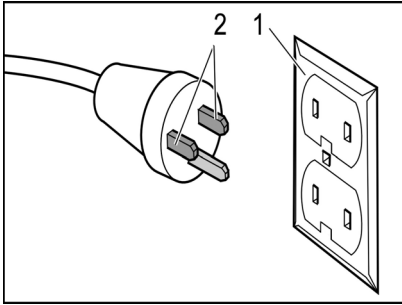
**IN ALL CASES, MAKE SURE THE RECEPTACLE IN QUESTION IS PROPERLY GROUNDED.**

**NEVER REMOVE GROUNDING PRONG FROM POWER PLUG.**

### **EXTENSION CORDS**

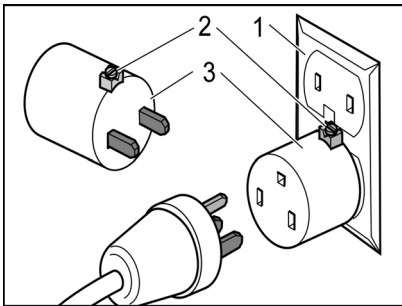
Use only three-wire extension cords that have three-prong grounding-type plugs and three-pole receptacle that accepts the appliance's plug. Replace damaged or worn cord immediately.

**Figure A**



- 1 Grounded outlet box
  - 2 Current carrying prongs
- Grounding prong is longest of the 3 prongs.

**Figure B**



- 1 Grounded outlet box
- 2 Grounding means
- 3 Adapter



**Note**

*In Canada, the use of a temporary adapter is not permitted by the Canadian Electrical Code.*

**Servicing of double-insulated machines**


In a double-insulated machine, two systems of insulation are provided instead of grounding. No grounding means is provided on a double-insulated machine, nor should a means for grounding be added to the machine. Servicing a double-insulated machine requires extreme care and knowledge of the system, and should be done only by qualified service personnel. Replacement parts for a double-insulated machine must be identical to the parts they replace.


**General notes**

  Read these original operating instructions before using the device for the first time and adhere to these. Keep the document for future reference or for future owners.

- If the operating instructions and safety instructions are not observed, the device can be damaged and dangers could arise for users and other persons.
- Notify the dealer immediately in the case of shipping damage.
- Check the package contents when unpacking for missing accessories or for damage.

**Environmental protection**

 The packing materials can be recycled. Please dispose of packaging in accordance with the environmental regulations.

 Electrical and electronic appliances contain valuable, recyclable materials and often components such as batteries, rechargeable batteries or oil, which - if handled or disposed of incorrectly - can pose a potential threat to human health and the environment. However, these components are required for the correct operation of the appliance. Appliances marked by this symbol are not allowed to be disposed of together with the household rubbish.

**Hazard levels**

**⚠ DANGER**

*Indication of an imminent threat of danger that will lead to severe injuries or even death.*

**⚠ WARNING**

*Indication of a potentially dangerous situation that may lead to severe injuries or even death.*

**⚠ CAUTION**

*Indication of a potentially dangerous situation that may lead to minor injuries.*

**ATTENTION**

*Indication of a potentially dangerous situation that may lead to damage to property.*

## Intended use

### ⚠ WARNING

#### Health risk

*Inhalation of dusts that are harmful to health*

*Do not use the device for vacuuming up dusts that are harmful to health.*

### ATTENTION

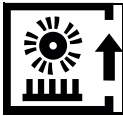
#### Damage to the device

*Short-circuit due to high levels of humidity*

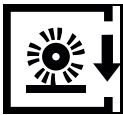
*Only use and store the device indoors.*

- This vacuum cleaner for carpets is intended for dry cleaning floor and wall surfaces.
- The device is not suitable for use on hard floors.
- This device is suitable for commercial use, e.g. in hotels, schools, hospitals, factories, shops, offices, and rental companies.

## Symbols on the appliance



Setting for long pile carpets



Setting for short pile carpets



Filter status indicator (see "Troubleshooting -Remove the blockage")



Identifies the access to the roller brush in the side section (see "Replacing the roller brush")

### Type plate

Further important device specifications are provided on the type plate. The type plate is located on the rear of the device casing.

## Device elements

- ① Main cable
- ② Main power cable connection
- ③ Suction pipe/suction hose
- ④ Brush head lock
- ⑤ "Electronic brush monitoring" indicator light
- ⑥ Carpet height selection button
- ⑦ Filter cover
- ⑧ Filter cover lock
- ⑨ Main switch
- ⑩ Handle
- ⑪ Brush cover rotary lock
- ⑫ Side section bow
- ⑬ Side section
- ⑭ Filter bag lock
- ⑮ Filter bag
- ⑯ Motor protection filter
- ⑰ Filter casing
- ⑱ Exhaust filter
- ⑲ Suction hose at brush head
- ⑳ Handle adjustment
- ㉑ Cable hook, rotating
- ㉒ Upholstery nozzle
- ㉓ Crevice nozzle
- ㉔ "Filter" indicator lamp
- ㉕ Indicator tuft
- ㉖ Roller brush

## Installation

Install the loose parts for handle provided with the device before using the device for the first time.

See page 4 for illustrations

- ① Handle with main power cable
- ② Handle metal tube
- ③ Suction pipe and suction hose
  1. Open the handle adjustment.
  2. Push the metal pipe of the handle into the mount all the way to the lowest latching position (latches audibly twice).
  3. Insert the handle into the metal pipe and latch into place. Take care to ensure that the main cable is not jammed or twisted.
  4. Pull the handle to the first (uppermost) latching position.
  5. Close the handle adjustment.
  6. Insert the suction hose into the connection nozzle.
  7. Insert the suction pipe into the mount on the device



## Startup

### Installing the filter bag

1. Unlock and remove the filter cover.
2. Turn the filter bag lock to the right to unlock.
3. Insert the filter bag and turn the filter bag lock to the left to lock.
4. Fit and lock the filter cover.

### Connecting the main power cable to the device

1. Open the cable holder at the handle.
2. Plug the main cable provided into the socket on the device.
3. Secure the plug connection against unintentional unplugging using the cable holder on the handle.

Use only the main cable provided and only replace it with an equivalent cable in the case of damage (see "Technical data").

## Operation

### Adjusting the height of the handle

The height of the handle is adjustable. See page 4 for illustrations

1. Open the handle adjustment.
2. Move the handle up or down to set the desired height.
3. Close the handle adjustment.

### Switching on the device

1. Connect the main plug.
2. Switch on the device at the main switch.

### Electronic brush monitoring

The electronic brush monitoring continuously monitors the function of the roller brush.

The indicator light shows the respective operating mode:

- Off: Roller brush functioning correctly.
- Lights up orange: Incorrect carpet height setting - set the carpet height selection knob to a lower carpet height.
- Also lights up orange at the lowest setting: Replace the roller brush.

#### Note

*Visual brush inspection: The degree of wear can be determined by comparing the differently coloured indicator tufts. Replace the roller brush when the black bristles are the same height as the red bristles.*

## Roller brush operation

### ATTENTION

#### ***Risk of damage to the floor covering!***

*Do not operate the device continuously at the same point.*

1. Adjust the carpet height using the selection knob on the brush head.
2. Perform cleaning.

### Using accessories

Vacuum with the crevice nozzle and upholstery nozzle.

See page 4 for illustrations

1. Pull the suction pipe out of the mount.
2. Remove the desired accessory from the storage compartment and plug it onto the suction pipe.
3. Perform cleaning.

## Suction pipe operation

### ATTENTION

#### ***Risk of damage!***

*When vacuuming using the suction hose, allow the device to latch into position without moving so that the brush motor switches off and does not damage the carpet.*

### Switching off the device

1. Switch off the device at the main switch.
2. Pull out the main plug.

### Cable storage

The main cable can be stored on the device.

See page 4 for illustrations

1. Wind the main power cable onto the winding aid.
2. Wind the main cable around the cable hook and handle.
3. To remove the cable, open the cable hook and remove the cable from the handle.

## Transport

### △ CAUTION

#### ***Failure to observe the weight***

*Risk of injury and damage*

*Be aware of the weight of the device during transportation.*

1. Wind the main cable around the cable storage.
2. Carry the device by the carrying handle.

- When transporting the device in vehicles, secure it to prevent it from slipping or overturning in accordance with the respective valid guidelines.

## Storage

### ⚠ CAUTION

#### **Failure to observe the weight**

*Risk of injury and damage*

*Be aware of the weight of the device during storage.*

The device may only be operated indoors.

## Care and service

### Maintenance intervals

#### ATTENTION

#### **Risk of damage**

*Please adhere to the specified maintenance intervals in order to prevent damage to the device.*

#### Daily

- Clean the roller brush.

#### Weekly

- Check the roller brush for wear.

#### Note

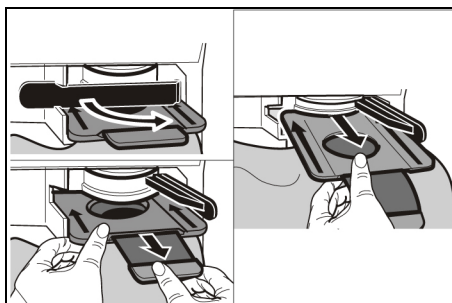
*The degree of wear can be determined by comparing the differently coloured indicator tufts. Replace the roller brush when the black bristles are the same height as the red bristles.*

### Cleaning the roller brush

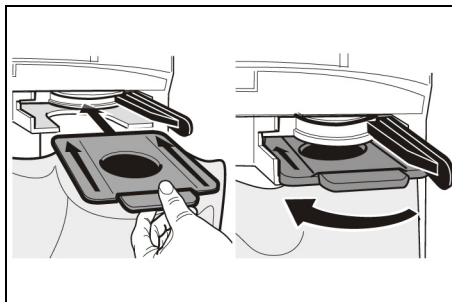
- Remove the brush cover if necessary: Use a coin to turn the rotary lock by 90° and remove the brush cover.
- Cut off hair and threads wound onto the roller brush using scissors and remove them.

### Changing the filter bag

- Unlock and remove the filter cover.
- Turn the filter bag lock to the right to unlock. Close the filter bag, remove and dispose of it.



- Insert a new filter bag and turn the filter bag lock to the left to lock.



- Fit and lock the filter cover.

### Replacing the exhaust filter

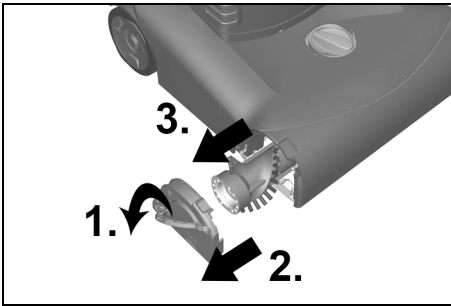
- Unlock and remove the filter cover.
- Push the filter casing locking mechanism upwards and remove the filter casing.
- Remove the exhaust filter from the filter casing.
- Insert a new exhaust filter in the filter casing.
- Insert the filter casing and latch it into place.
- Fit and lock the filter cover.

### Replacing the motor protection filter

- Unlock and remove the filter cover.
- Press the motor protection filter lock upwards. Remove the old motor protection filter and dispose of it.
- Fit and lock the new motor protection filter.
- Fit and lock the filter cover.

### Replacing the roller brush

Please make sure that the bracket is always completely opened during installation.

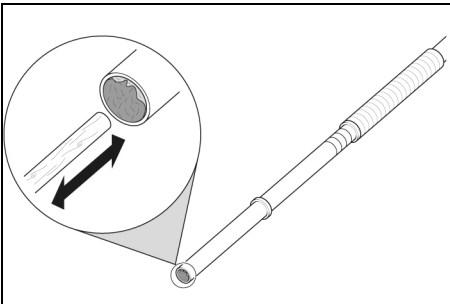


1. Fold the bracket on the side section fully upwards and remove the side section.
2. Pull out the old roller brush and dispose of it.
3. Insert a new roller brush in the side section.
4. Push the side section together with the roller brush into the device.
5. Fold the bracket fully downwards to lock the side section.

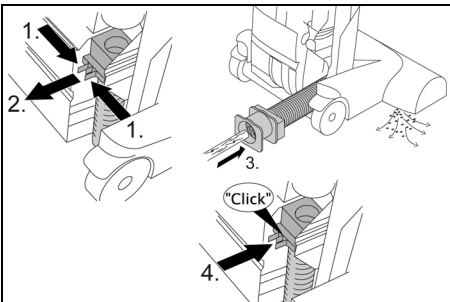
## Troubleshooting guide

### Remove the blockage

#### Suction pipe/suction hose



#### Suction hose at brush head



## Roller brush/brush head

### Note

Remove the brush cover if necessary to make the work easier (see "Cleaning the roller brush").

### Motor not running

No electrical voltage present

- Check the power socket and power supply fuse.
- Check the main cable and the main plug of the device.
- Check the main cable plug connection at the handle.

The thermal protection switch has switched off the motor due to overheating

- Check the filter and suction hose. Replace the used filter or remove the blockage from the suction hose.
- Allow the appliance to cool down.

### Unsatisfactory vacuuming result

- Check the roller brush for blocking objects and remove these if present.
- Remove blockages from the brush head, suction pipe and suction hose.
- Replace the filter bag.
- Replace the exhaust filter or motor protection filter.
- Set the carpet height selection knob to the correct setting .
- Replace the roller brush.

### Filter indicator lamp lights up orange

- Remove blockages from the brush head, suction pipe and suction hose.
- Replace the filter bag.

### Electronic brush monitoring indicator light lights up orange

- Set the carpet height selection knob to a lower carpet height.

### Indicator light - electronic brush monitoring indicator light lights up even at the lowest setting

- Replace the roller brush.

## Customer Service department

If the malfunction cannot be corrected, the device must be checked by the Customer Service department.

## Warranty

The warranty conditions issued by our relevant sales company apply in all countries. We shall remedy possible malfunctions on your device within the warranty period free of cost, provided that a material or manufacturing defect is the cause. In a warranty case, please contact your dealer (with the purchase receipt) or the next authorised customer service site.

## Accessories and spare parts

Only use original accessories and original spare parts. They ensure that the appliance will run fault-free and safely.

Information on accessories and spare parts can be found at [www.tornadovac.com](http://www.tornadovac.com).

## Technical data

		CVD 38/2	CVD 48/2
<b>Electrical connection</b>			
Main voltage	V	120	120
Power frequency	Hz	1~ 60	1~ 60
Rated current	A	9	9
Protection class		I	I
<b>Device performance data</b>			
Air quantity (max.)	CFM (l/s)	100 (47)	100 (47)
Vacuum (max.)	mm (kPa)	2470 (24.2)	2470 (24.2)
<b>Dimensions and weights</b>			
Typical operating weight	lbs (kg)	19.8 (9.0)	20.3 (9.2)
Length x width x height	in (mm)	14.6 x 15.5 x 47.8 (370 x 390 x 1215)	14.6 x 19.0 x 47.8 (370 x 485 x 1215)
Width of roller brush	in (mm)	13.0 (335)	17.0 (430)
<b>Ambient conditions</b>			
Ambient temperature (max.)	°F (°C)	104 (+40)	104 (+40)
<b>Determined values in acc. with EN 60335-2-69</b>			
Sound level $L_{pA}$	dB(A)	67	67
K uncertainty $pA$	dB(A)	1	1
<b>Main cable</b>			
Power cord type		SJT 3x18 AWG	SJT 3x18 AWG
Part number		6.650- 911.0	6.650- 911.0
Cable length	ft (m)	3.3 (0.1)	3.3 (0.1)

Subject to technical modifications.

## Contenu

CONSIGNES DE SÉCURITÉ IMPOR- TANTES . . . . .	13
Remarques générales . . . . .	15
Protection de l'environnement . . . . .	16
Niveaux de danger . . . . .	16
Utilisation conforme . . . . .	16
Symboles sur l'appareil . . . . .	16
Éléments d'appareil . . . . .	16
Montage . . . . .	17
Mise en service . . . . .	17
Utilisation . . . . .	17
Transport . . . . .	18
Stockage . . . . .	18
Entretien et maintenance . . . . .	18
Dépannage en cas de défaut . . . . .	19
Cas de garantie . . . . .	20
Accessoires et pièces de rechange . . . . .	20
Caractéristiques techniques . . . . .	21

## CONSIGNES DE SÉCURITÉ IMPORTANTES

### OBSERVEZ LES POINTS SUIVANTS AVANT LA MISE EN SERVICE DE L'AP- PAREIL

- Informer immédiatement votre fournis-  
seur en cas de constat de dommage dû  
au transport.
- Sortir tous les accessoires de l'embal-  
lage.
- L'aspirateur ne convient pas pour aspi-  
rer des poussières nocives comme p.  
ex. l'amiante. Pour de telles applica-  
tions, veuillez vous adresser à votre re-  
présentation Tornado ou à votre reven-  
deur Tornado.
- Utiliser l'aspirateur uniquement avec  
une prise de courant reliée à la terre.  
Consulter les données techniques pour  
le fusible principal requis.
- **RACCORDER L'ASPIRATEUR A UNE  
PRISE DE COURANT CORRECTE-  
MENT RELIÉE A LA TERRE.** Voir les  
consignes de mise à la terre.

### CONSERVER CES CONSIGNES

**Cet aspirateur est prévu pour une utili-  
sation professionnelle.**

## CONSIGNES DE SÉCURITÉ

Lorsque vous utilisez un appareil élec-  
trique, vous devez prendre certains pré-  
cautions de base, dont la suivante :

- 1 Avant de retirer le cache, de réaliser les  
travaux d'entretien et en cas de non-utili-  
sation **DEBRANCHER L'ASPIRATEUR  
DU CIRCUIT ELECTRIQUE PRINCIPAL.**
- 2 **NE PAS LAISSER** la machine sans sur-  
veillance lorsque la fiche est branchée.
- 3 **CONTROLLER**, avant chaque utilisation,  
l'absence de dommages ou les signes  
de vieillissement sur le **CABLE DE  
BRANCHEMENT AU SECTEUR.**
- 4 **NE PAS TIRER, NI PORTER L'ASPIRA-  
TEUR PAR LE CABLE SECTEUR.** Ne  
pas coincer le câble dans une porte ni le  
tirer sur des bords acérés.
- 5 **MAINTENIR LE CABLE DE BRANCHE-  
MENT AU SECTEUR ELOIGNE DE LA  
CHALEUR ET DE L'HUILE.** Ne pas lais-  
ser traîner le câble de branchement au  
secteur une fois les travaux terminés. Il  
peut être source de trébuchement.
- 6 **NE PAS LAISSER L'ASPIRATEUR  
ROULER SUR LE CABLE DE BRAN-  
CHEMENT AU SECTEUR.**
- 7 **COUPER L'INTERRUPTEUR** avant de  
débrancher la fiche secteur.
- 8 **NE PAS DEBRANCHER LA FICHE  
SECTEUR DE LA PRISE DE COU-  
RANT EN TIRANT SUR LE CABLE DE  
BRANCHEMENT AU SECTEUR.** Pour  
débrancher le secteur, tirer sur la fiche  
secteur, pas sur le câble de branche-  
ment au secteur.
- 9 **NE PAS TOUCHER LA FICHE SEC-  
TEUR AVEC LES MAINS MOUILLEES.**
- 10 Seul un collaborateur autorisé du ser-  
vice après-vente est habilité à remplacer  
**UN CABLE DE BRANCHEMENT AU  
SECTEUR ENDOMMAGE OU UNE  
FICHE SECTEUR ENDOMMAGEE.** **NE  
PAS TENTER DE REPARER LE CABLE  
DE BRANCHEMENT AU SECTEUR.**
- 11 **POUR EVITER TOUT RISQUE  
D'ELECTROCUTION**, ne pas placer  
l'appareil sous la pluie. Stocker à l'inté-  
rieur.

12 UTILISER CE MANUEL UNIQUEMENT CONFORMEMENT AUX RECOMMANDATIONS. Utilisation uniquement avec les extensions recommandées.

13 Maintenir les CHEVEUX, VETEMENTS, BIJOUX PENDANTS, DOIGTS et tous les membres du corps éloignés des ouvertures et des pièces mobiles.

14 NE PAS COUVRIR NI FERMER LES OUVERTURES. Maintenir les ouvertures à l'abri des peluches, cheveux et de la poussière, en particulier lorsque ceux-ci gênent le flux d'air.

15 NE PAS ASPIRER CE QUI BRULE, gonfle ou fume comme les allumettes, les cigarettes ou la cendre chaude.

16 NE PAS ASPIRER DE MATÉRIAUX COMBUSTIBLES EXPLOSIFS, tels que charbon, grains et autres matériaux combustibles finement divisés.

17 NE PAS ASPIRER DE MATÉRIAUX COMBUSTIBLES, dangereux, toxiques ou cancérigènes comme l'essence, le gas-oil, l'acétone, les diluants à peinture, le fuel domestique, les acides et les solvants non dilués, les pesticides et l'amiante.

18 UTILISER LES FILTRES RECOMMANDÉS pour aspirer des matériaux en carton-plâtre.

19 NE PAS UTILISER SANS FILTRE ou sac à poussières mal installés.

20 RACCORDER L'ASPIRATEUR A UNE PRISE DE COURANT CORRECTEMENT RELIÉE A LA TERRE. Voir les consignes de mise à la terre.

21 NE PAS LAISSER L'ASPIRATEUR ÊTRE UTILISÉ COMME UN JOUET. Tenir les enfants éloignés de l'aspirateur.

22 NE PAS LAISSER l'aspirateur en marche SANS SURVEILLANCE.

23 NE PAS UTILISER SI LE CABLE DE BRANCHEMENT AU SECTEUR, LA FICHE SECTEUR, LE FILTRE OU L'ASPIRATEUR SONT EN MAUVAIS ETAT. Faire contrôler l'aspirateur par un service après-vente autorisé s'il est tombé, endommagé, a été soumis à certaines conditions climatiques ou est tombé dans l'eau.

24 PORTER SYSTEMATIQUEMENT DES LUNETTES DE PROTECTION lors de l'utilisation de l'aspirateur.

25 ÊTRE PARTICULIEREMENT ATTENTIF, lors de l'utilisation dans des escaliers.

26 RESTER ATTENTIF ! Ne pas utiliser l'aspirateur en cas de fatigue ni sous l'influence de drogues, d'alcool ou de médicaments.

### **INSTRUCTIONS DE MISE À LA TERRE**

- Cet appareil doit être relié à la terre. En cas de défaut ou de panne, la liaison à la terre fournit une résistance moins forte au courant électrique pour réduire le risque d'électrocution.
- Cet appareil est équipé d'un câble de branchement au secteur avec conducteur de terre et fiche Schuko.
- La fiche doit être branchée dans une prise de courant adaptée installée et reliée à la terre conformément à toutes les prescriptions et ordonnances légales locales.

### **AVERTISSEMENT :**

- Un raccordement incorrect du conducteur de terre de l'appareil peut entraîner un risque d'électrocution.
- Contacter un électricien spécialisé ou un collaborateur du service après-vente en cas de doute sur la mise à la terre correcte de la prise de courant.
- Ne pas modifier la fiche fournie avec l'appareil.
- Si la fiche ne rentre pas dans la prise de courant, faire installer une prise de courant adaptée par un électricien spécialisé.
- Cet appareil est destiné à une utilisation sur un circuit 120 V nominaux, et est équipé d'une prise de terre qui ressemble à la prise illustrée dans la fig. A.
- Un adaptateur temporaire qui ressemble à l'adaptateur illustré dans la fig. B peut être utilisé pour connecter cette fiche au réceptacle deux pôles comme indiqué dans la fig. B si une prise correctement reliée à la terre n'est pas disponible.

- L'adaptateur temporaire doit être utilisé uniquement jusqu'à ce qu'une prise correctement reliée à la terre (fig. A) soit installée par un électricien qualifié.
- L'oreille rigide de couleur verte, la lame ou l'équivalent étendu depuis l'adaptateur doit être connecté à une terre permanente comme un couvercle de prise relié correctement à la terre.
- Quel que soit l'endroit où l'adaptateur est utilisé, il doit être maintenu en place par une vis métallique.
- **NE PAS TENTER DE REPARER LE CABLE DE BRANCHEMENT AU SEC-TEUR.**

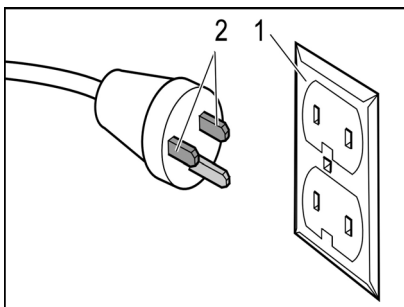
**S'ASSURER, DANS TOUS LES CAS, QUE LA PRISE DE COURANT CORRESPONDANTE EST CORRECTEMENT RELIÉE A LA TERRE.**

**NE JAMAIS RETIRER LA BROCHE DE LIAISON A LA TERRE DE LA FICHE SECTEUR.**

### CABLE DE RALLONGE

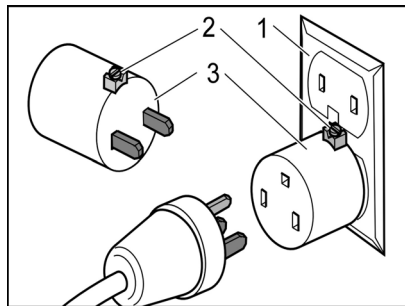
Utiliser exclusivement un câble de rallonge à trois brins avec une fiche à trois pôles reliée à la terre et une prise de courant à trois pôles dans laquelle la fiche de l'appareil peut être branchée. Remplacer immédiatement tout câble endommagé ou usé.

**Figure A**



- 1 Socle de prise de courant
  - 2 Languettes conduisant le courant
- La languette de terre est la plus longue.

**Figure B**



- 1 Socle de prise de courant
- 2 Moyens de mise à la terre
- 3 Adaptateur

### Remarque

*Au Canada, conformément au Canadian Electrical Code, l'utilisation d'un adaptateur provisoire n'est pas autorisée.*

### Maintenance d'appareils à double isolation

Les appareils à double isolation sont équipés de deux systèmes d'isolation en place de la liaison à la terre. L'appareil à double isolation ne présente pas de moyen de protection à la terre et ne doit pas se voir ajouter de moyen de protection à la terre. La maintenance d'un appareil à double isolation requiert une attention extrême ainsi que des connaissances du système et doit être réalisée uniquement par un personnel de maintenance qualifié. Les pièces de rechange pour un appareil à double isolation doivent être identiques aux pièces à remplacer.

### Remarques générales



Veillez lire ce manuel d'instructions original avant la première utilisation de votre appareil et agissez conformément. Conservez le document pour une utilisation ultérieure ou pour le propriétaire suivant.

- Le non-respect du manuel d'utilisation et des consignes de sécurité peut entraîner des dommages sur l'appareil et des dangers pour l'opérateur et d'autres personnes.
- Informer immédiatement le vendeur en cas de dommage dû au transport.

- Vérifiez le contenu de l'emballage lors du déballage, qu'il ne manque pas d'accessoires et qu'il n'y a pas de dommage.

## Protection de l'environnement



Les matériaux d'emballage sont recyclables. Veuillez éliminer les emballages dans le respect de l'environnement.



Les appareils électriques et électroniques contiennent des matériaux précieux recyclables et souvent des composants tels que des piles, batteries ou de l'huile représentant un danger potentiel pour la santé humaine et l'environnement, s'ils ne sont pas manipulés ou éliminés correctement. Ces composants sont cependant nécessaires pour le fonctionnement correct de l'appareil. Les appareils marqués par ce symbole ne doivent pas être jetés dans les ordures ménagères.

## Niveaux de danger

### ⚠ DANGER

Indique un danger immédiat qui peut entraîner de graves blessures corporelles ou la mort.

### ⚠ AVERTISSEMENT

Indique une situation potentiellement dangereuse qui peut entraîner de graves blessures corporelles ou la mort.

### ⚠ PRÉCAUTION

Indique une situation potentiellement dangereuse qui peut entraîner des blessures légères.

### ATTENTION

Indique une situation potentiellement dangereuse qui peut entraîner des dommages matériels.

## Utilisation conforme

### ⚠ AVERTISSEMENT

#### Risque pour la santé

Inhalation de poussières nocives

Ne pas utiliser l'appareil pour l'aspiration de poussières nocives.

### ATTENTION

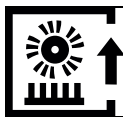
#### Endommagement de l'appareil

Court-circuit dû à une humidité de l'air élevée

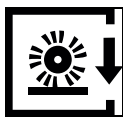
Utiliser et stocker l'appareil uniquement en intérieur.

- Cet aspirateur-brosseur pour moquettes est conçu pour le nettoyage à sec de surfaces de sols et murales.
- L'appareil n'est pas adapté à une utilisation sur sols durs.
- Cet appareil est adapté à une utilisation professionnelle, p.ex., dans les hôtels, écoles, hôpitaux, usines, magasins, bureaux et loueurs.

## Symboles sur l'appareil



Réglage pour les tapis à fils longs



Réglage pour les tapis à fils courts



Témoin d'état du filtre (voir « Dépannage en cas de défaut - Retirer les obstructions »)



Indique l'accès à la brosse-rouleau dans la partie latérale (voir « Remplacement de la brosse-rouleau »)

## Plaque signalétique

La plaque signalétique contient d'autres indications importantes sur l'appareil. La plaque signalétique est placée à l'arrière du boîtier de l'appareil.

## Éléments d'appareil

- ① Câble secteur
- ② Raccordement du câble secteur
- ③ Tube d'aspiration / tuyau d'aspiration
- ④ Déverrouillage sabot
- ⑤ Témoin de contrôle « Contrôle électronique de la brosse »
- ⑥ Bouton de réglage hauteur de fil
- ⑦ Couvercle de filtre
- ⑧ Verrouillage du couvercle de filtre
- ⑨ Interrupteur principal
- ⑩ Poignée
- ⑪ Bouchon à vis du cache de la brosse
- ⑫ Partie latérale de l'étrier



- ⑬ Partie latérale
- ⑭ Verrouillage du sac aspirateur
- ⑮ Sac aspirateur
- ⑯ Filtre de protection moteur
- ⑰ Corps de filtre
- ⑱ Filtre pour l'air vicié
- ⑲ Tuyau d'aspiration sur le sabot
- ⑳ Réglage poignée
- ㉑ Crochet de câble, rotatif
- ㉒ Suceur pour canapés
- ㉓ Suceur fentes
- ㉔ Témoin de contrôle « Filtre »
- ㉕ Faisceau d'indicateur
- ㉖ Brosse-rouleau

## Montage

Monter les pièces détachées de la poignée, fournies avec l'appareil, avant la mise en service.

Figures, voir page 4

- ① Poignée avec câble de raccordement
- ② Tube métallique poignée
- ③ Tube d'aspiration et tuyau d'aspiration
  1. Ouvrir le réglage de la poignée.
  2. Pousser le tube métallique de la poignée dans le logement jusqu'à la position d'enclenchement la plus basse (deux enclenchements audibles).
  3. Emboîter la poignée sur le tube métallique et l'enclencher. Veillez à ce que le câble de l'appareil ne soit pas coincé, ni torsionné.
  4. Tirer la poignée dans la première position d'enclenchement (la plus haute).
  5. Fermer le réglage de la poignée.
  6. Insérer le tuyau d'aspiration dans la tubulure de raccordement.
  7. Insérer le tube d'aspiration dans le logement sur l'appareil

## Mise en service

### Monter le sac aspirateur

1. Déverrouiller et retirer le couvercle de filtre.
2. Tourner le verrouillage du sac aspirateur vers la droite, pour ouvrir.
3. Insérer le sac aspirateur et tourner le verrouillage du sac aspirateur vers la gauche pour fermer.

4. Insérer et verrouiller le couvercle de filtre.

### Raccorder le câble secteur à l'appareil

1. Ouvrir le porte-câble sur la poignée.
2. Brancher le câble secteur fourni dans le raccordement sur l'appareil.
3. Bloquer la connexion avec le porte-câble sur la poignée contre tout débranchement intempestif.

Utiliser exclusivement le câble secteur fourni et le remplacer en cas de dommage par un câble similaire (voir « Caractéristiques techniques »).

## Utilisation

### Réglage de la hauteur de la poignée

La hauteur de la poignée est réglable.

Figures, voir page 4

1. Ouvrir le réglage de la poignée.
2. Bouger la poignée vers le haut ou le bas pour régler la hauteur souhaitée.
3. Fermer le réglage de la poignée.

### Démarrer l'appareil

1. Brancher la fiche secteur.
2. Mettre l'appareil en marche à l'interrupteur principal.

### Contrôle électronique de la brosse

Le contrôle électronique de la brosse surveille en permanence le fonctionnement de la brosse-rouleau.

Le témoin de contrôle indique l'état de fonctionnement correspondant :

- Arrêt : La brosse-rouleau fonctionne correctement.
- Allumé en orange : Mauvais réglage de la hauteur de fil - Régler le bouton de réglage de la hauteur de fil sur une hauteur de fil plus basse.
- Allumé en orange même sur le niveau le plus bas : Remplacer la brosse-rouleau.

### Remarque

*Contrôle optique de la brosse : Le degré d'usure peut être identifié par comparaison avec un faisceau d'indicateur d'autres couleurs. Si les poils noirs sont à la même hauteur que les rouges, remplacer la brosse-rouleau.*

## Mode brosse-rouleau

### ATTENTION

**Risque d'endommagement pour le revêtement de sol !**

*Ne pas utiliser l'appareil sur cet endroit.*

1. Régler la hauteur de fil à l'aide du bouton de réglage du sabot.
2. Réaliser le nettoyage.

## Utilisation des accessoires

Aspiration avec le suceur fentes et le suceur pour canapés.

Figures, voir page 4

1. Retirer le tube d'aspiration du logement.
2. Sortir l'accessoire souhaité du rangement et l'emboîter sur le tube d'aspiration.
3. Réaliser le nettoyage.

## Mode tube d'aspiration

### ATTENTION

**Risque d'endommagement !**

*Lors de l'aspiration avec le tuyau d'aspiration, faire enclencher l'appareil en position de repos pour arrêter le moteur de brosse et ne pas endommager le moteur, ni le tapis.*

## Éteindre l'appareil

1. Éteindre l'appareil à l'interrupteur principal.
2. Débrancher la fiche secteur.

## Rangement de câble

Le câble secteur peut être rangé sur l'appareil.

Figures, voir page 4

1. Guider le câble secteur sur l'enrouleur.
2. Enrouler le câble secteur autour du crochet de câble et de la poignée.
3. Pour retirer le câble, ouvrir le crochet de câble et retirer le câble de la poignée.

## Transport

### ⚠ PRÉCAUTION

**Non-observation du poids**

*Risque de blessure et d'endommagement*  
*Observer le poids de l'appareil pour le transport.*

1. Enrouler le câble d'alimentation autour du rangement de câble.
2. Porter l'appareil par la poignée de transport.

3. En cas de transport de l'appareil dans des véhicules, le bloquer contre le glissement et le basculement suivant les normes en vigueur.

## Stockage

### ⚠ PRÉCAUTION

**Non-observation du poids**

*Risque de blessure et d'endommagement*  
*Tenir compte du poids de l'appareil pour le stockage.*

L'appareil ne peut être exploité qu'en espace intérieur.

## Entretien et maintenance

### Intervalles de maintenance

#### ATTENTION

**Risque d'endommagement**

*Respecter les intervalles de maintenance pour éviter tout dommage sur l'appareil.*

#### Tous les jours

1. Nettoyer la brosse-rouleau.

#### Toutes les semaines

1. Vérifier l'usure de la brosse-rouleau.

**Remarque**

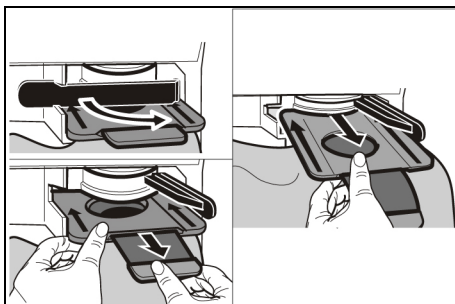
*Le degré d'usure peut être identifié par comparaison avec un faisceau d'indicateur d'autres couleurs. Si les poils noirs sont à la même hauteur que les poils rouges, remplacer la brosse-rouleau.*

#### Nettoyage de la brosse-rouleau

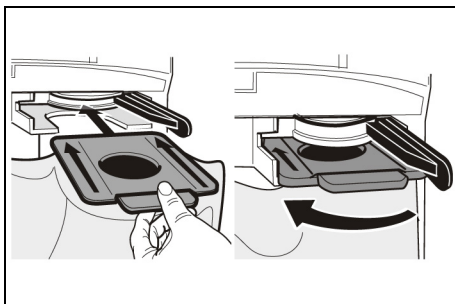
1. Démonter le cache de la brosse, si besoin : Tourner les bouchons à vis de 90° à l'aide d'une pièce et retirer le cache de la brosse.
2. Couper à l'aide de ciseaux et retirer les poils et fils enroulés sur la brosse-rouleau.

#### Remplacement du sac aspirateur

1. Déverrouiller et retirer le couvercle de filtre.
2. Tourner le verrouillage du sac aspirateur vers la droite, pour ouvrir. Fermer le sac aspirateur, le sortir et l'éliminer.



3. Insérer un nouveau sac aspirateur et tourner le verrouillage du sac aspirateur vers la gauche pour fermer.



4. Insérer et verrouiller le couvercle de filtre.

### Remplacement du filtre pour l'air vicié

1. Déverrouiller et retirer le couvercle de filtre.
2. Appuyer le verrouillage du corps de filtre vers le haut et sortir le corps de filtre.
3. Sortir le filtre pour l'air vicié du corps de filtre.
4. Insérer un nouveau filtre pour l'air vicié dans le corps de filtre.
5. Positionner le corps de filtre et l'enclencher.
6. Insérer et verrouiller le couvercle de filtre.

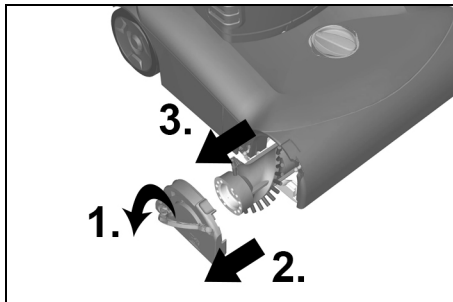
### Remplacement du filtre de protection moteur

1. Déverrouiller et retirer le couvercle de filtre.
2. Appuyer le verrouillage du filtre de protection moteur vers le haut. Retirer et éliminer le filtre de protection moteur usagé.

3. Insérer et verrouiller le nouveau filtre de protection moteur.
4. Insérer et verrouiller le couvercle de filtre.

### Remplacement de la brosse-rouleau

Pendant le montage, veiller à ce que l'étrier soit toujours entièrement ouvert.

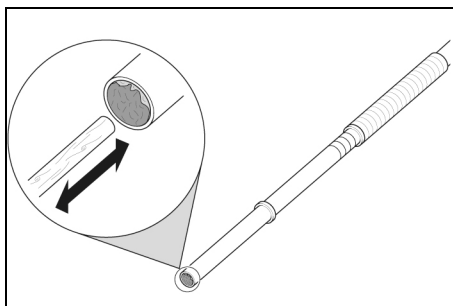


1. Ouvrir complètement l'étrier sur la partie latérale et retirer la partie latérale.
2. Sortir et éliminer la brosse-rouleau usagée.
3. Insérer une nouvelle brosse-rouleau dans la partie latérale.
4. Pousser la partie latérale avec la brosse-rouleau dans l'appareil.
5. Rabattre complètement l'étrier pour verrouiller la partie latérale.

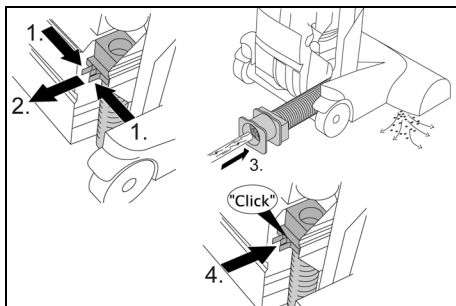
### Dépannage en cas de défaut

#### Retrait des obstructions

#### Tube d'aspiration / tuyau d'aspiration



## Tuyau d'aspiration sur le sabot



Brosse-rouleau / Sabot

### Remarque

Pour faciliter la manipulation, démonter si besoin le cache de brosse (voir « Nettoyage de la brosse-rouleau »).

### Le moteur ne tourne pas

Aucune tension électrique

- Contrôler la prise de courant et le fusible de l'alimentation électrique.
- Contrôler le câble réseau et la fiche secteur de l'appareil.
- Contrôler la connexion du câble secteur sur la poignée.

Le disjoncteur thermique a arrêté le moteur pour surchauffe

- Contrôler le filtre et le tuyau d'aspiration. Remplacer le filtre usagé ou éliminer l'obstruction du tuyau d'aspiration.
- Laisser refroidir l'appareil.

### Résultat d'aspiration non satisfaisant

- Vérifier les objets bloquants dans la brosse-rouleau et les retirer le cas échéant.
- Enlever les obstructions du sabot, du tube d'aspiration et du tuyau d'aspiration.
- Remplacer le sac aspirateur.
- Remplacer le filtre pour l'air vicié ou le filtre de protection moteur.
- Contrôler le bon réglage du bouton de réglage pour la hauteur de fil.
- Remplacer la brosse-rouleau.

### Le témoin de contrôle du filtre est allumé en orange

- Enlever les obstructions du sabot, du tube d'aspiration et du tuyau d'aspiration.

- Remplacer le sac aspirateur.

### Témoin de contrôle - Contrôle électronique de la brosse allumé en orange

- Régler le bouton de réglage de la hauteur de fil sur une hauteur de fil plus basse.

### Témoin de contrôle - Contrôle électronique de la brosse allumé en orange même sur le niveau le plus bas

- Remplacer la brosse-rouleau.

## Service après-vente

Si le défaut ne peut pas être éliminé, l'appareil doit être contrôlé par le service après-vente.

## Cas de garantie

Les conditions de garantie publiées par notre société commerciale compétente s'appliquent dans chaque pays. Nous remédions gratuitement aux défauts possibles sur votre appareil dans la durée de garantie dans la mesure où la cause du défaut est un vice de matériau ou de fabrication. En cas de garantie, veuillez vous adresser à votre distributeur ou au point de service après-vente autorisé le plus proche avec la facture d'achat.

## Accessoires et pièces de rechange

N'utiliser que des accessoires et pièces de rechange d'origine, ils garantissent le bon fonctionnement de l'appareil.

Vous trouverez des informations relatives aux accessoires et pièces de rechange sur [www.tornadovac.com](http://www.tornadovac.com).

## Caractéristiques techniques

		CVD 38/2	CVD 48/2
<b>Raccordement électrique</b>			
Tension du secteur V		120	120
Fréquence du secteur Hz		1~ 60	1~ 60
Intensité nominale A		9	9
Classe de protection		I	I
<b>Caractéristiques de puissance de l'appareil</b>			
Débit d'air (max.)	CFM (l/s)	100 (47)	100 (47)
Dépression (max.)	mm (kPa)	2470 (24.2)	2470 (24.2)
<b>Dimensions et poids</b>			
Poids opérationnel typique	lbs (kg)	19.8 (9.0)	20.3 (9.2)
Longueur x largeur x hauteur	in (mm)	14.6 x 15.5 x 47.8 (370 x 390 x 1215)	14.6 x 19.0 x 47.8 (370 x 485 x 1215)
Largeur de la brosse-rouleau	in (mm)	13.0 (335)	17.0 (430)
<b>Conditions ambiantes</b>			
Température ambiante (max.)	°F (°C)	104 (+40)	104 (+40)
<b>Valeurs déterminées selon EN 60335-2-69</b>			
Niveau de pression acoustique $L_{pA}$	dB(A)	67	67
Incertitude $K_{pA}$	dB(A)	1	1
<b>Câble d'alimentation</b>			
Type de câble secteur		SJT 3x18 AWG	SJT 3x18 AWG
Référence de pièce		6.650- 911.0	6.650- 911.0
Longueur de câble	ft (m)	3.3 (0.1)	3.3 (0.1)

Sous réserve de modifications techniques.

## Índice de contenidos

INSTRUCCIONES IMPORTANTES DE SEGURIDAD . . . . .	22
Avisos generales . . . . .	24
Protección del medioambiente. . . . .	25
Niveles de peligro . . . . .	25
Uso previsto . . . . .	25
Símbolos en el equipo . . . . .	25
Elementos del equipo . . . . .	25
Montaje . . . . .	26
Puesta en funcionamiento . . . . .	26
Servicio . . . . .	26
Transporte . . . . .	27
Almacenamiento . . . . .	27
Conservación y mantenimiento . . . . .	27
Ayuda en caso de avería . . . . .	28
Garantía . . . . .	29
Accesorios y piezas de repuesto . . . . .	29
Datos técnicos . . . . .	30

## INSTRUCCIONES IMPORTANTES DE SEGURIDAD

### ANTES DE LA PRIMERA PUESTA EN MARCHA DEL APARATO DEBERÁN OBSERVARSE LOS SIGUIENTES PUNTOS

- Informe de inmediato a su distribuidor si hay daños de transporte.
- Extraiga el accesorio al completo del embalaje.
- El aparato no es apropiado para la aspiración de polvos nocivos para la salud, como por ejemplo amianto. Para este tipo de aplicaciones deberá ponerse en contacto con su Distribuidor o la Delegación Nacional de Tornado.
- Utilizar la aspiradora solamente con una toma de tierra puesta a tierra. Consultar los datos técnicos para el fusible principal necesario.
- CONECTAR LA ASPIRADORA ÚNICAMENTE EN UNA TOMA DE TIERRA PUESTA A TIERRA DEBIDAMENTE. Veáanse las normas de puesta a tierra.

**CONSERVE ESTAS INSTRUCCIONES**  
**Esta aspiradora está diseñada para el uso industrial.**

## INSTRUCCIONES DE SEGURIDAD

En caso de utilizar herramientas eléctricas acopladas al aparato, deberán observarse estrictamente todas las normas de seguridad básicas, a fin de prevenir cualquier riesgo de incendio, descargas eléctricas o daños o lesiones del personal encargado de manipular los mismos:

- 1 Antes de retirar la cubierta, realizar los trabajos de mantenimiento y durante la inactividad, **DESCONECTOR LA ASPIRADORA DEL CIRCUITO PRINCIPAL.**
- 2 **NO DEJAR** la máquina sin supervisión si el conector está conectado.
- 3 **COMPROBAR** siempre si hay daños o síntomas de envejecimiento en **EL CABLE DE CONEXIÓN DE RED** antes de cada utilización.
- 4 **NO TIRAR O SOSTENER LA ASPIRADORA EN EL CABLE DE RED.** No apriionar el cable con una puerta o extender alrededor de bordes afilados.
- 5 **MANTENER EL CABLE DE CONEXIÓN DE RED ALEJADO DEL CALOR Y EL ACEITE.** No dejar tirado el cable de conexión de red tras finalizar el trabajo. Puede representar un peligro.
- 6 **NO DEJAR QUE LA ASPIRADORA SE ENROLLE ALREDEDOR DEL CABLE DE CONEXIÓN DE RED.**
- 7 Antes de extraer el conector de red, **DESCONECTAR EL CONECTOR.**
- 8 **NO TIRAR DEL CONECTOR DE RED TIRANDO DE LA TOMA DE TIERRA DEL CABLE DE CONEXIÓN DE RED.** Para desconectar la red eléctrica, tirar del conector de red, no del cable de conexión de red.
- 9 **NO TORCAR EL CONECTOR DE RED CON MANOS MOJADAS.**
- 10 Solo un representante del servicio técnico autorizado puede sustituir **UN CABLE DE CONEXIÓN DE RED DAÑADO O UN CONECTOR DE RED DAÑADO.** **NO INTENTAR REPARAR UN CABLE DE CONEXIÓN DE RED.**
- 11 **PARA EVITAR UN CHOQUE ELÉCTRICO,** no exponer el equipo a la lluvia. Almacenar en interiores.

- 12 UTILIZAR SOLO CONFORME A LAS RECOMENDACIONES DE ESTE MANUAL. Utilizar solamente con los accesorios recomendados.
- 13 Mantener alejado PELO, ROPA, SUCIEDAD SUELTA, DEDOS y todas partes del cuerpo de las aberturas y piezas móviles.
- 14 NO TAPAR O CERRAR LAS ABERTURAS. Mantener las aberturas libres de pelusas, pelos y polvo, así como todas las que obstaculiza el flujo de aire.
- 15 NO ASPIRAR NADA QUE ARDA, que se carbonice o genere humo, como cerillas, cigarrillos o llamas calientes.
- 16 NO ASPIRE MATERIALES COMBUSTIBLES O EXPLOSIVOS, tal como carbón de piedra, cereales (o su polvo) u otra sustancia fina y combustible.
- 17 NO ASPIRE MATERIALES COMBUSTIBLES, peligrosos, tóxicos o carcinógenos por ejemplo: gasolina, gasoil (petróleo para diesel), acetona, diluyente para pintura, aceite combustible, ácidos y disolventes no diluidos, pesticidas y amianto (asbesto).
- 18 UTILIZAR EL FILTRO RECOMENDADO para aspirar material de yeso.
- 19 NO UTILIZAR SIN UN FILTRO correctamente colocado o una bolsa de polvo.
- 20 CONECTAR LA ASPIRADORA ÚNICAMENTE EN UNA TOMA DE TIERRA PUESTA A TIERRA DEBIDAMENTE. Veáanse las normas de puesta a tierra.
- 21 NO DEJAR UTILIZAR LA ASPIRADORA COMO UN JUGUETE. Mantener alejados a los niños de la aspiradora.
- 22 NO DEJAR SIN SUPERVISIÓN la aspiradora en funcionamiento.
- 23 NO UTILIZAR SI EL CABLE DE CONEXIÓN DE RED, EL CONECTOR DE RED, EL FILTRO O LA ASPIRADORA ESTÁN EN MAL ESTADO. El servicio de postventa autorizado debe comprobar una aspiradora que se haya caído, se haya dañado, se haya expuesto a determinadas condiciones climáticas o se haya caído al agua.

- 24 LLEVAR SIEMPRE GAFAS DE PROTECCIÓN al usar la aspiradora.
- 25 TENER ESPECIAL CUIDADO con las escaleras durante el uso.
- 26 ESTAR ATENTO. No utilizar la aspiradora cansado o bajo la influencia de drogas, alcohol o medicamentos.

### **INSTRUCCIONES DE PUESTA A TIERRA**

- Este equipo debe ponerse a tierra. Si se produce una avería o una caída, la puesta a tierra ofrece un camino de menor resistencia para la corriente eléctrica, para disminuir el peligro de choques eléctricos.
- Este equipo está equipado con un cable de conexión de red con conductor de tierra y un conector Schuko.
- El conector debe estar conectado a una toma de tierra adecuada que esté instalada y puesta a tierra correctamente conforme a todas las normativas locales.

### **ADVERTENCIA:**

- Una conexión indebida del conductor de tierra del equipo puede provocar peligro de choques eléctricos.
- Ponerse en contacto con un electricista o un representante del servicio de postventa si hay dudas sobre como poner a tierra correctamente la toma de corriente.
- No modifique el enchufe suministrado del aparato.
- Si el conector no coincide con la toma de corriente, el electricista debe instalar una toma de corriente adecuada.
- El aparato se usa con un circuito de 120 voltios y tiene un enchufe con toma a tierra que tiene el mismo aspecto que la ilustración A.
- Se puede usar un adaptador temporal como el de la ilustración B para conectar este enchufe a un receptáculo bipolar como se indica en la ilustración B si no hay un enchufe con toma a tierra correcto.

- El adaptador temporal sólo se debe usar hasta que el electricista cualificado haya instalado el enchufe con toma a tierra (fig. A).
- La orejeta verde rígida o similares que se extiende desde el adaptador se debe conectar a una toma permanente a tierra como una cubierta de caja con toma a tierra correcta.
- Siempre que se use el adaptador se debe mantener sujeto con un tornillo metálico.

**● NO INTENTAR REPARAR UN CABLE DE CONEXIÓN DE RED.**

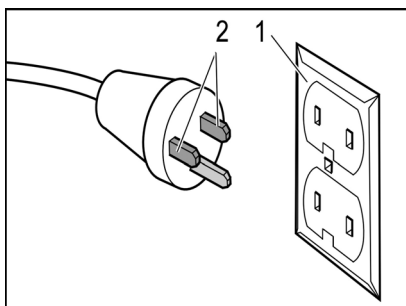
**EN CUALQUIER CASO SE DEBE GARANTIZAR QUE LA TOMA DE CORRIENTE CORRESPONDIENTE ESTÁ PUESTA A TIERRA CORRECTAMENTE.**

**NO RETIRAR EN NINGÚN CASO LA CLAVIJA DE TIERRA DEL CONECTOR DE RED.**

**CABLE DE PROLONGACIÓN**

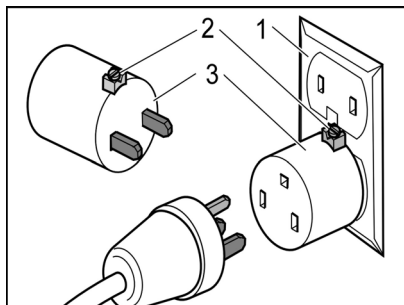
Utilizar únicamente un cable de prolongación de tres conductores y una toma de tierra de tres polos en la cual se pueda conectar el conector del equipo. Sustituir de inmediato un cable dañado o desgastado.

**Figura A**



- 1 Caja de toma de corriente con puesta a tierra
- 2 Horquillas conductoras de corriente  
La horquilla de toma a tierra es la más larga de las 3.

**Figura B**



- 1 Caja de toma de corriente con puesta a tierra
- 2 Medios de toma a tierra
- 3 Adaptador

**Nota**

*En Canadá, no está permitido usar un adaptador temporal según el Canadian Electrical Code (Código Canadiense de Electricidad).*

**Mantenimiento de equipos con doble aislamiento**

Los equipos con doble aislamiento están equipados con dos sistemas de aislamiento en lugar de la toma de tierra. En un equipo con doble aislamiento no hay ningún dispositivo de protección de la puesta a tierra disponible y no se debe añadir ninguno al equipo. El mantenimiento de un dispositivo con doble aislamiento requiere especial cuidado y conocimiento del sistema, y solo puede realizarlo personal de mantenimiento cualificado. Los recambios para un equipo con doble aislamiento deben ser idénticos a las piezas que utiliza.

**Avisos generales**

⚠ Antes de utilizar por primera vez el equipo, lea y siga este manual de instrucciones. Conserve el documento para su uso posterior o para futuros propietarios.

- En caso de no respetar el manual de instrucciones o las instrucciones de seguridad, se pueden causar daños al equipo y crear peligros para el operario y otras personas.



- Informe inmediatamente a su distribuidor si se han producido daños durante el transporte.
- Compruebe si faltan accesorios en el contenido del paquete o si existen daños.

## Protección del medioambiente



Los materiales del embalaje son reciclables. Elimine los embalajes de forma respetuosa con el medioambiente.



Los equipos eléctricos y electrónicos contienen materiales reciclables y, a menudo, componentes, como baterías, acumuladores o aceite, que suponen un riesgo potencial para la salud de las personas o el medioambiente en caso de manipularse o eliminarse de forma inadecuada. Sin embargo, dichos componentes son necesarios para un servicio adecuado del equipo. Los equipos identificados con este símbolo no pueden eliminarse con la basura doméstica.

## Niveles de peligro

### ⚠ PELIGRO

*Aviso de un peligro inminente que produce lesiones corporales graves o la muerte.*

### ⚠ ADVERTENCIA

*Aviso de una posible situación peligrosa que puede producir lesiones corporales graves o la muerte.*

### ⚠ PRECAUCIÓN

*Aviso de una posible situación peligrosa que puede producir lesiones corporales leves.*

## CUIDADADO

*Aviso de una posible situación peligrosa que puede producir daños materiales.*

## Uso previsto

### ⚠ ADVERTENCIA

#### Riesgos para la salud

*Aspiración de polvos perjudiciales para la salud*

*No usar el equipo para la aspiración de polvos perjudiciales para la salud.*

## CUIDADADO

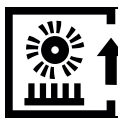
### ***Daño del equipo***

*Cortocircuito debido a la elevada humedad del aire*

*Usar y almacenar el equipo solamente en interiores.*

- Esta aspiradora para alfombras está diseñada para la limpieza en seco de las superficies del suelo y de las paredes.
- El equipo no es apto para su uso en suelos duros.
- Este equipo es apto para el uso industrial, por ejemplo, en hoteles, escuelas, hospitales, fábricas, tiendas, oficinas y negocios de alquiler.

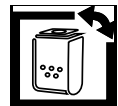
## Símbolos en el equipo



Ajuste para alfombras de pelo largo



Ajuste para alfombras de pelo corto



Indicación del estado del filtro (ver «Ayuda en caso de avería: eliminar atascos»)



Marca el acceso al cilindro de cepillos en el lateral (ver «Sustituir el cilindro de cepillos»)

## Placa de características

En la placa de características encontrará más información importante sobre el equipo. La placa de características se encuentra detrás de la carcasa del equipo.

## Elementos del equipo

- ① Cable de red
- ② Conexión del cable de red
- ③ Tubo de aspiración/manguera de aspiración
- ④ Desbloqueo del cabezal de cepillos
- ⑤ Piloto de control «Controles electrónicos de los cepillos»
- ⑥ Posición del cabezal altura de fibras
- ⑦ Tapa del filtro

- ⑧ Cierre de la tapa del filtro
- ⑨ Interruptor principal
- ⑩ Asa
- ⑪ Cierre giratorio de la cubierta de los cepillos
- ⑫ Estribo lateral
- ⑬ Lateral
- ⑭ Cierre de la bolsa de filtro
- ⑮ Bolsa de filtro
- ⑯ Filtro protector de motores
- ⑰ Carcasa del filtro
- ⑱ Filtro de aire de salida
- ⑲ Manguera de aspiración en el cabezal de cepillos
- ⑳ Reajuste del asa
- ㉑ Gancho para cables, giratorio
- ㉒ Boquilla para alcohado
- ㉓ Boquilla para ranuras
- ㉔ Piloto de control «Filtro»
- ㉕ Mechón indicador
- ㉖ Cilindro de cepillos

## Montaje

Antes de la puesta en funcionamiento, montar las piezas del asa que se suministran sueltas en el equipo.

Ver las figuras en la página 4

- ① Asa con cable de conexión
- ② Tubo metálico del asa
- ③ Tubo de aspiración y manguera de aspiración
  1. Abrir el reajuste del asa.
  2. Desplazar el tubo metálico del asa en el alojamiento hasta la posición de sujeción inferior (encaja dos veces de forma audible).
  3. Encajar el asa en el tubo metálico y engancharla. Asegúrese de que el cable del equipo no quede atrapado o girado.
  4. Colocar el asa en la primera posición de sujeción (superior).
  5. Cerrar el reajuste del asa.
  6. Enchufar la manguera de aspiración a los empalmes de conexión.
  7. Introducción del tubo de aspiración en el alojamiento del equipo

## Puesta en funcionamiento

### Montaje de la bolsa de filtro

1. Desbloquear y retirar la tapa del filtro.
2. Girar el cierre de la bolsa de filtro hacia la derecha para abrirlo.
3. Introducir la bolsa de filtro y girar el cierre de la bolsa de filtro hacia la izquierda para cerrarlo.
4. Colocar y cerrar la tapa del filtro.

### Conexión del cable de red al equipo

1. Abrir el portacables del asa.
2. Introducir el cable de red suministrado en la conexión del equipo.
3. Asegurar la conexión de enchufe con el portacables del asa para que no se desenchufe por error.

Utilice únicamente el cable de red suministrado y sustitúyalo en caso de presentar daños por uno equivalente (ver «Datos técnicos»).

## Servicio

### Ajuste de la altura del asa

La altura del asa es ajustable.

Ver las figuras en la página 4

1. Abrir el reajuste del asa.
2. Mover el asa hacia arriba o hacia abajo para ajustar la altura deseada.
3. Cerrar el reajuste del asa.

### Conexión del equipo

1. Enchufar el conector de red.
2. Encender el equipo con el interruptor principal.

### Controles electrónicos de los cepillos

Los controles electrónicos de los cepillos supervisan el funcionamiento del cilindro de cepillos de forma continua.

El piloto de control muestra el estado de servicio correspondiente:

- Apagado: el cilindro de cepillos funciona correctamente.
- Se ilumina en naranja: ajuste incorrecto de la altura de fibras, ajustar la posición del cabezal para altura de fibras en una altura más baja.
- Sigue iluminado en naranja en el nivel inferior: sustituir el cilindro de cepillos.

## Nota

Controles ópticos de los cepillos: el grado de desgaste se puede detectar mediante la comparación con el mechón indicador de otro color. Si las cerdas negras están a la misma altura que las rojas, sustituir el cilindro de cepillos.

## Funcionamiento de los cilindros de cepillos

### CUIDADO

#### **Peligro de daños para el recubrimiento del suelo.**

No utilizar el equipo en esa zona.

1. Ajustar la altura de fibras en la posición del cabezal del cabezal de cepillos.
2. Realizar la limpieza.

### Uso de los accesorios

Aspirar con boquilla para ranuras y boquilla para alcochado.

Ver las figuras en la página 4

1. Extraer el tubo de aspiración del alojamiento.
2. Sacar el accesorio deseado del almacenaje y conectarlo al tubo de aspiración.
3. Realizar la limpieza.

## Funcionamiento del tubo de aspiración

### CUIDADO

#### **Peligro de daños.**

Al aspirar con la manguera de aspiración, ponga el equipo en la posición de reposo para que el motor de cepillos se desconecte y la alfombra no resulte dañada.

### Desconexión del equipo

1. Desconectar el equipo en el interruptor principal.
2. Desenchufar el conector de red.

### Almacenaje del cable

El cable de red puede guardarse en el equipo.

Ver las figuras en la página 4

1. Pasar el cable de red por el enrollador de cable.
2. Enrollar el cable de red alrededor del gancho para cables y el asa.
3. Para extraer el cable, abrir el gancho para cables y retirar el cable del asa.

## Transporte

### ⚠ PRECAUCIÓN

#### **Inobservancia del peso**

*Peligro de lesiones y daños*

*Tenga en cuenta el peso del equipo durante el transporte.*

1. Enrollar el cable de red alrededor del almacenaje del cable.
2. Portar el equipo por el asa de transporte.
3. Al transportar el equipo en vehículos, asegúrelo para evitar que resbale y vuelque conforme a las directrices vigentes.

## Almacenamiento

### ⚠ PRECAUCIÓN

#### **Inobservancia del peso**

*Peligro de lesiones y daños*

*Tenga en cuenta el peso del equipo para su almacenamiento.*

El equipo solo se puede almacenar en interiores.

## Conservación y mantenimiento

### Intervalos de mantenimiento

### CUIDADO

#### **Peligro de daños**

*Tenga en cuenta los intervalos de mantenimiento para evitar daños en el equipo.*

### Diariamente

1. Limpiar el cilindro de cepillos.

### Semanalmente

1. Comprobar el desgaste del cilindro de cepillos.

### Nota

*el grado de desgaste se puede detectar mediante la comparación con el mechón indicador de otro color. Si las cerdas negras están a la misma altura que los cepillos rojos, sustituir el cilindro de cepillos.*

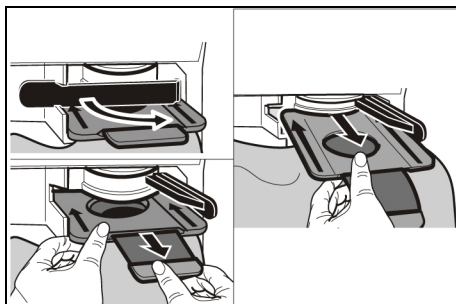
### Limpieza del cilindro de cepillos

1. En caso necesario, desmontar la cubierta de los cepillos: girar 90° los cierres giratorios con una moneda y retirar la cubierta de los cepillos.

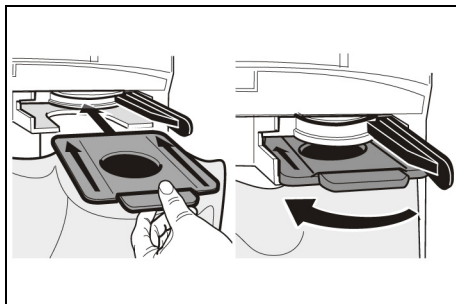
2. Cortar los pelos y los hilos que se hayan enredado en el cilindro de cepillos con una tijera y, posteriormente, retirarlos.

### Cambio de la bolsa de filtro

1. Desbloquear y retirar la tapa del filtro.
2. Girar el cierre de la bolsa de filtro hacia la derecha para abrirlo. Cerrar la bolsa de filtro, extraerla y eliminarla.



3. Introducir la bolsa de filtro nueva y girar el cierre de la bolsa de filtro hacia la izquierda para cerrarlo.



4. Colocar y cerrar la tapa del filtro.

### Sustitución del filtro de aire de salida

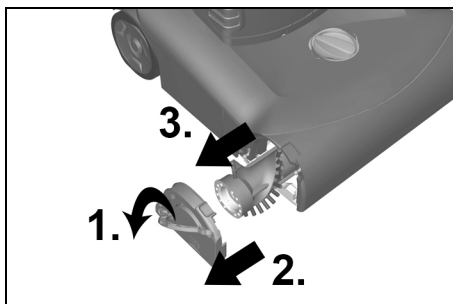
1. Desbloquear y retirar la tapa del filtro.
2. Presionar el cierre de la carcasa del filtro hacia arriba y extraer la carcasa del filtro.
3. Extraer el filtro de aire de salida de la carcasa del filtro.
4. Colocar el nuevo filtro de aire de salida en la carcasa del filtro.
5. Colocar y encajar la carcasa del filtro.
6. Colocar y cerrar la tapa del filtro.

### Sustitución del filtro protector de motores

1. Desbloquear y retirar la tapa del filtro.
2. Presionar el cierre del filtro protector de motores hacia arriba. Retirar y eliminar el filtro protector de motores utilizado.
3. Colocar y cerrar el nuevo filtro protector de motores.
4. Colocar y cerrar la tapa del filtro.

### Sustitución del cilindro de cepillos

Asegúrese de que el estribo está completamente abierto durante el montaje.

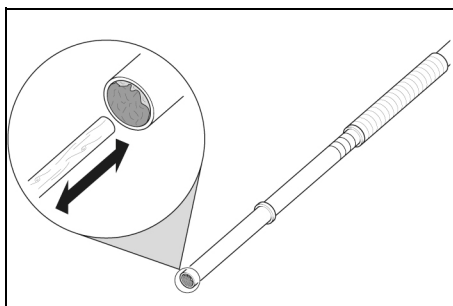


1. Abrir el estribo del lateral completamente y retirar el lateral.
2. Extraer y eliminar el cilindro de cepillos utilizado.
3. Colocar el nuevo cilindro de cepillos en el lateral.
4. Colocar el lateral junto con el cilindro de cepillos en el equipo.
5. Plegar el estribo completamente para cerrar el lateral.

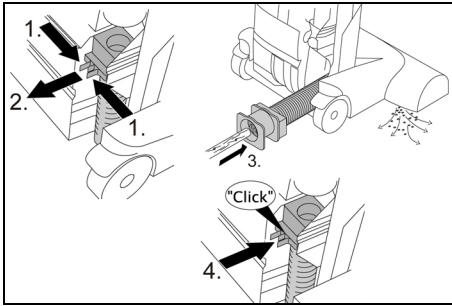
### Ayuda en caso de avería

#### Eliminación de atascos

#### Tubo de aspiración/manguera de aspiración



## Manguera de aspiración en el cabezal de cepillos



### Cilindro de cepillos/cabezal de cepillos

#### Nota

En caso necesario, para una manipulación sencilla, desmonte la cubierta de los cepillos (ver «Limpieza del cilindro de cepillos»).

#### El motor no funciona

Sin tensión eléctrica

- Comprobar el enchufe y el fusible de la alimentación de corriente.
- Comprobar el cable de red y el conector de red del equipo.
- Comprobar la conexión de enchufe del cable de red en el asa.

El interruptor térmico ha apagado el motor para evitar un sobrecalentamiento

- Comprobar el filtro y la manguera de aspiración. Sustituir el filtro utilizado o subsanar la obstrucción de la manguera de aspiración.
- Dejar enfriar el equipo.

#### Resultado de aspiración insatisfactorio

- Comprobar si hay objetos que obstruyen el cilindro de cepillos y, en caso necesario, retirarlos.
- Eliminar el atasco del cabezal de cepillos, el tubo de aspiración y la manguera de aspiración.
- Cambiar la bolsa de filtro.
- Sustituir el filtro de aire de salida o el filtro protector de motores.
- Comprobar que la posición del cabezal para la altura de fibras esté ajustado correctamente.
- Sustituir el cilindro de cepillos.

## El piloto de control del filtro se ilumina en naranja

- Eliminar el atasco del cabezal de cepillos, el tubo de aspiración y la manguera de aspiración.
- Cambiar la bolsa de filtro.

## El piloto de control de los controles electrónicos de los cepillos se ilumina en naranja

- Ajustar la posición del cabezal para altura de fibras en una altura más baja.

## El piloto de control de los controles electrónicos de los cepillos se ilumina en naranja incluso en el nivel inferior

- sustituir el cilindro de cepillos.

## Servicio de postventa

Si no se puede solventar el fallo, el Servicio de postventa debe comprobar el equipo.

## Garantía

En cada país se aplican las condiciones de garantía indicadas por nuestra compañía distribuidora autorizada. Subsancamos cualquier fallo en su equipo de forma gratuita dentro del plazo de garantía siempre que la causa se deba a un fallo de fabricación o material. En caso de garantía, póngase en contacto con su distribuidor o con el servicio de postventa autorizado más próximo presentando la factura de compra.

## Accesorios y piezas de repuesto

Utilice solamente accesorios y recambios originales, ya que garantizan un funcionamiento correcto y seguro del equipo.

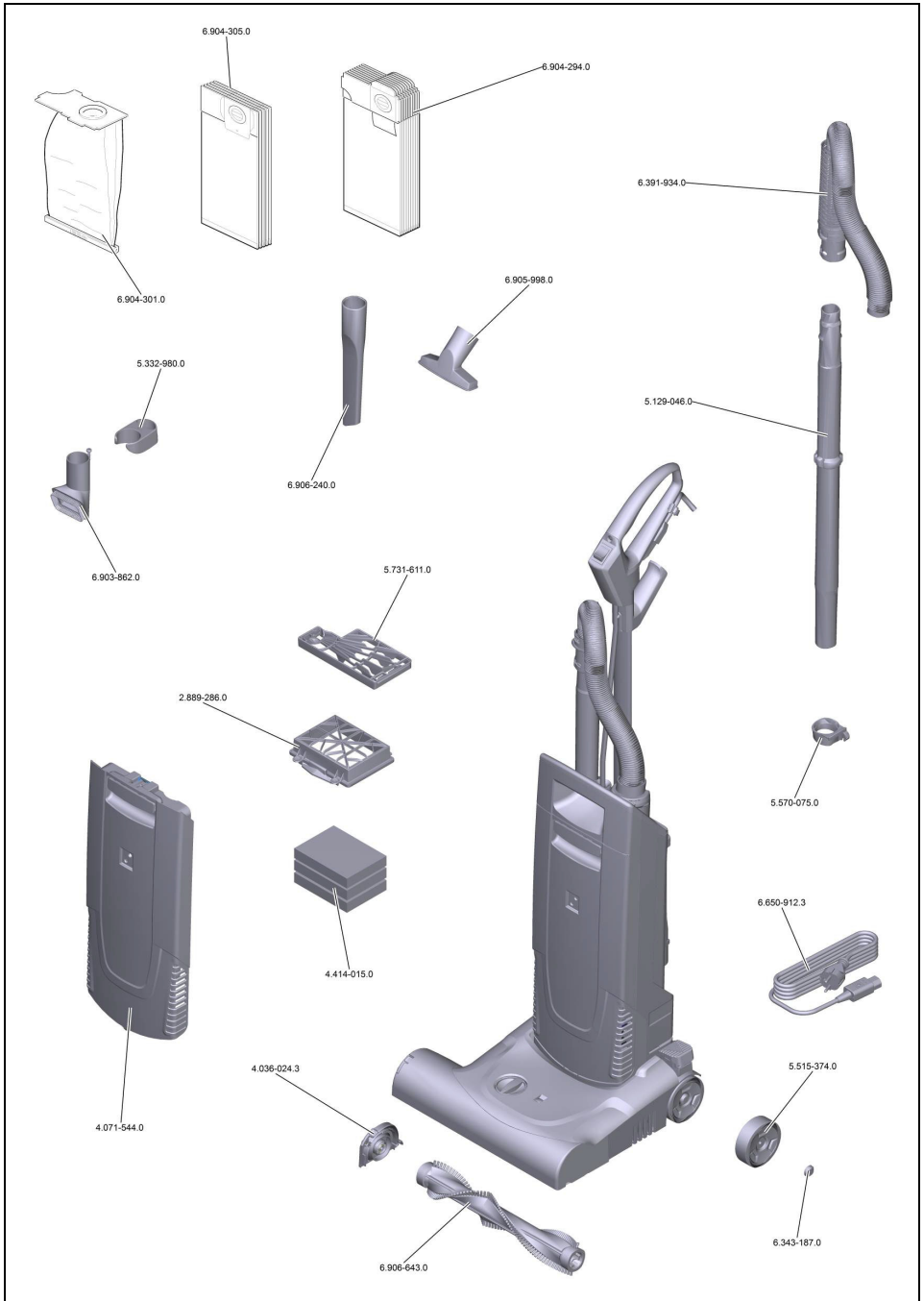
Puede encontrar información acerca de los accesorios y recambios en [www.tornadovac.com](http://www.tornadovac.com).

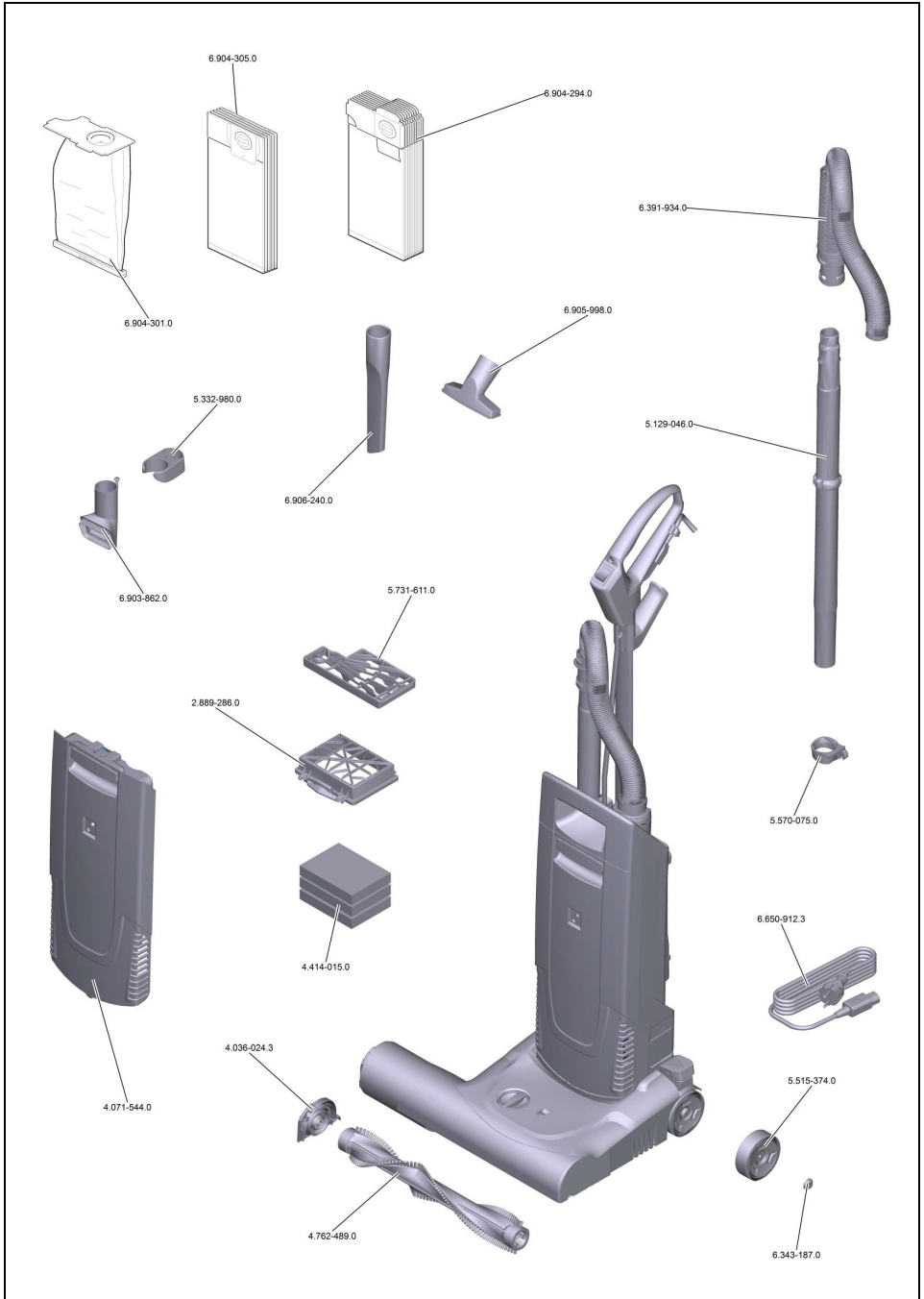
## Datos técnicos

		CVD 38/2	CVD 48/2
<b>Conexión eléctrica</b>			
Tensión de red	V	120	120
Frecuencia de red	Hz	1~ 60	1~ 60
Corriente nominal	A	9	9
Clase de protección		I	I
<b>Datos de potencia del equipo</b>			
Volumen de aire (máx.)	CFM (l/s)	100 (47)	100 (47)
Baja presión (máx.)	mm (kPa)	2470 (24.2)	2470 (24.2)
<b>Peso y dimensiones</b>			
Peso de servicio típico	lbs (kg)	19.8 (9.0)	20.3 (9.2)
Longitud x anchura x altura	in (mm)	14.6 x 15.5 x 47.8 (370 x 390 x 1215)	14.6 x 19.0 x 47.8 (370 x 485 x 1215)
Ancho del cilindro de cepillos	in (mm)	13.0 (335)	17.0 (430)
<b>Condiciones ambientales</b>			
Temperatura ambiente (máx.)	°F (°C)	104 (+40)	104 (+40)
<b>Valores calculados conforme a EN 60335-2-69</b>			
Nivel de presión acústica $L_{pA}$	dB(A)	67	67
Inseguridad $K_{pA}$	dB(A)	1	1
<b>Cable de red</b>			
N.º del cable de red		SJT 3x18 AWG	SJT 3x18 AWG
Referencia		6.650-911.0	6.650-911.0
Longitud del cable	ft (m)	3.3 (0.1)	3.3 (0.1)

Reservado el derecho a realizar modificaciones.

CVD 38/2















# TORNADO<sup>®</sup>

## Warranty Registration Form

Please Print Clearly

Company/Institution	
Contact Name	Title
Address	City/State/Zip Code
Phone	Fax
Date of Purchase	Email
Selling Dealer: (Required)	

**See white metal plate or sticker on unit for this information.**

MACHINE TYPE/MODEL NUMBER:	MACHINE SERIAL NUMBER:
1.	1.
2.	2.
3.	3.
4.	4.

Facility Description (please circle all that apply)			
1. School	6. Manufacturing	11. Airport	16. Other Govt.
2. Retail Store	7. College/University	12. Warehouse	17. Auto Service
3. Restaurant	8. Hospital	13. Apartment/Condo	18. Non-Profit
4. Office Building	9. Nursing Home	14. Supermarket	19. Other (specify)
5. Contract Cleaning	10. Religious Institution	15. U.S. Govt	

<p>How did you first learn about Tornado cleaning and maintenance equipment?</p> <ul style="list-style-type: none"> <li><input type="radio"/> Contacted by local dealer</li> <li><input type="radio"/> Previous experience with Tornado products</li> <li><input type="radio"/> Reputation/Recommendation</li> <li><input type="radio"/> Advertising</li> <li><input type="radio"/> Direct mail</li> <li><input type="radio"/> Website: _____</li> <li><input type="radio"/> Blog: _____</li> <li><input type="radio"/> Other</li> </ul>
--

**You can complete this form online at**  
[www.tornadovac.com/services/warranty-registration-form.aspx](http://www.tornadovac.com/services/warranty-registration-form.aspx)

This form may also be returned to :  
 Tornado Industries  
 3101 Wichita Court  
 Fort Worth, TX 76140  
 Fax: 817-551-0719

Damage or defect arising from abuse, neglect or other misuse is excluded from this warranty. Other items may or may not apply based on your specific machine. If any defect occurs, and service is attempted by non-Authorized Tornado Service Centers, the warranty will be void.