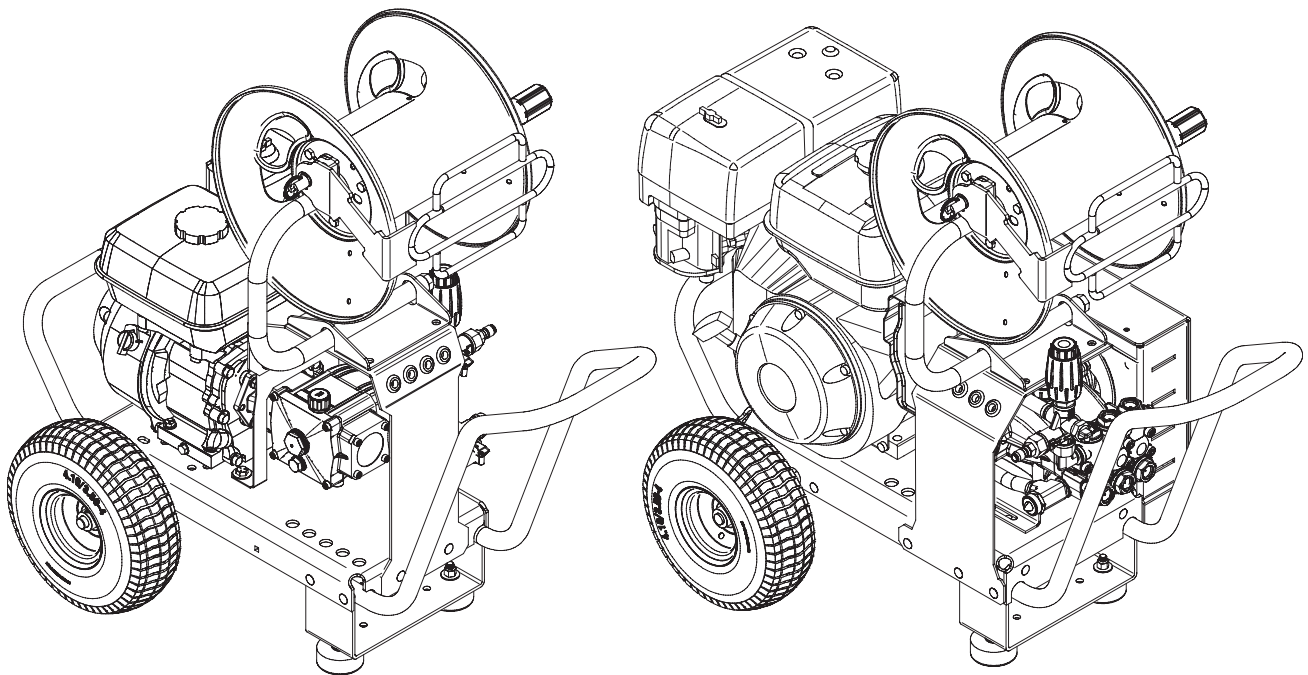


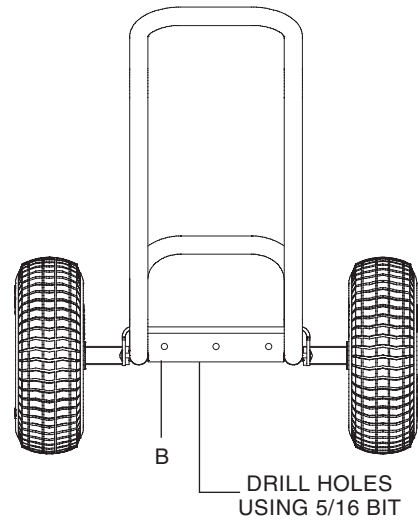
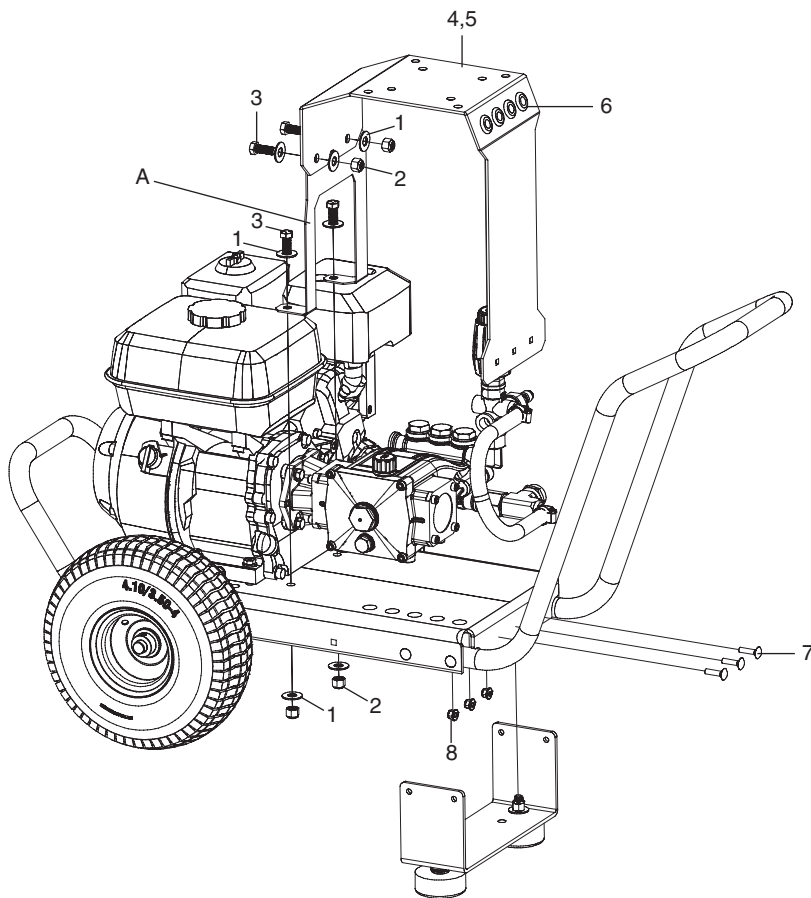
Hose Reel Kit Instructions

Kit #8.929-509.0 for Direct Driven machines
Kit #8.929-511.0 for Belt Driven machines



EXPLODED VIEW DIRECT GX200

KIT 8.929-509.0

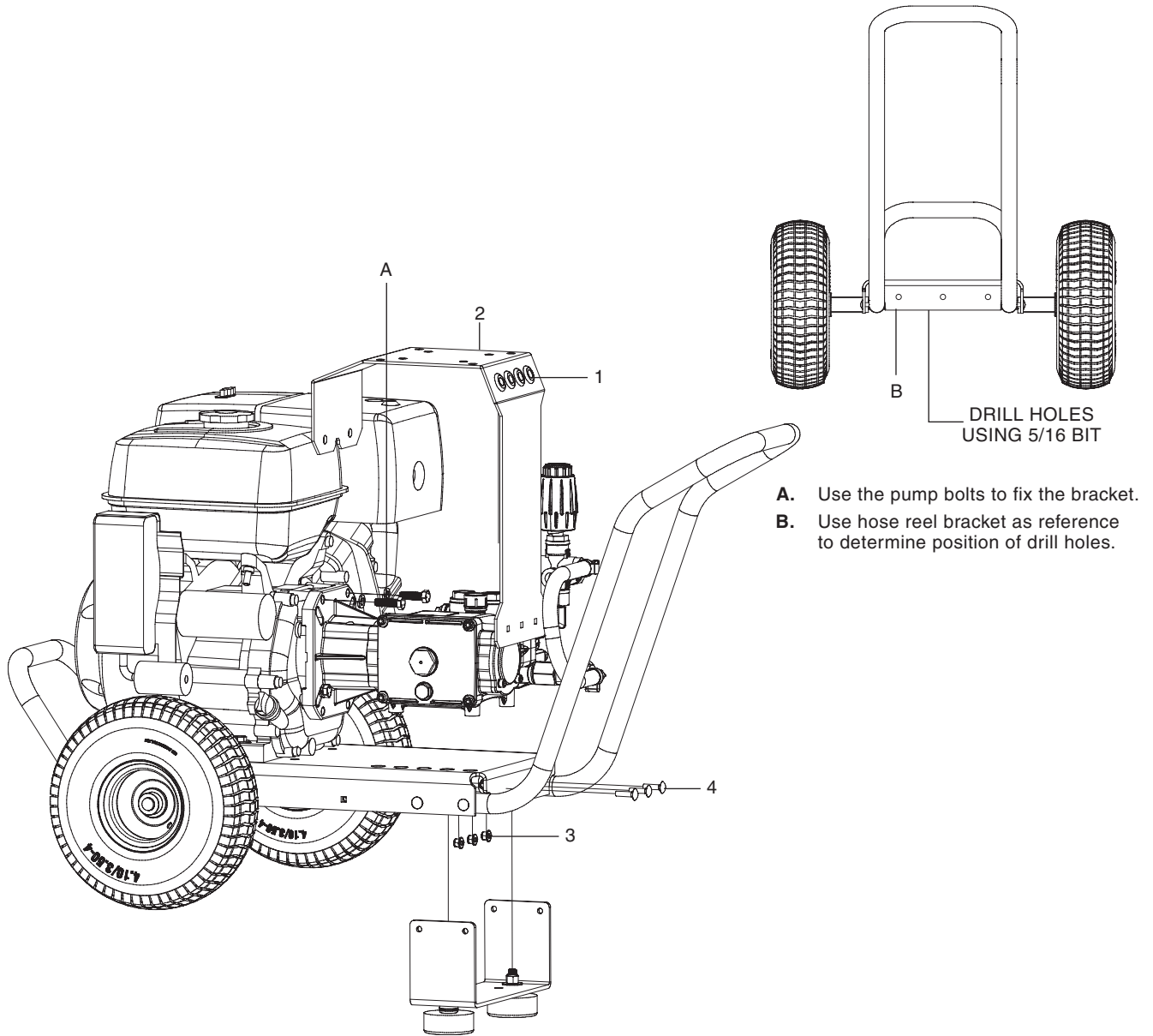


- A. Fix the bracket using the frame.
- B. Use hose reel bracket as reference to determine position of drill holes.

ITEM	PART NO.	DESCRIPTION	QTY
1	9.802-817.0	Washer, 3/8" X 1"	16
2	9.197-003.0	3/8-16 Ne Nylon Insert L/N ZC 5UM White	8
3	9.802-720.0	Bolt, 3/8" X 1", NC HH	8
4	8.929-508.0	Hose Reel Bracket DD Gx200	1
5	8.929-507.0	Hose Reel Bracket DD	1
6	9.802-064.0	Grommet, Rubber, Nozzle Holder	4
7	9.802-705.0	Bolt, 1/4"-20 X 1" Carriage Zinc	3
8	9.197-010.0	1/4-20" Nylon Insert Lock Nut With Flange	3

EXPLODED VIEW DIRECT GX390

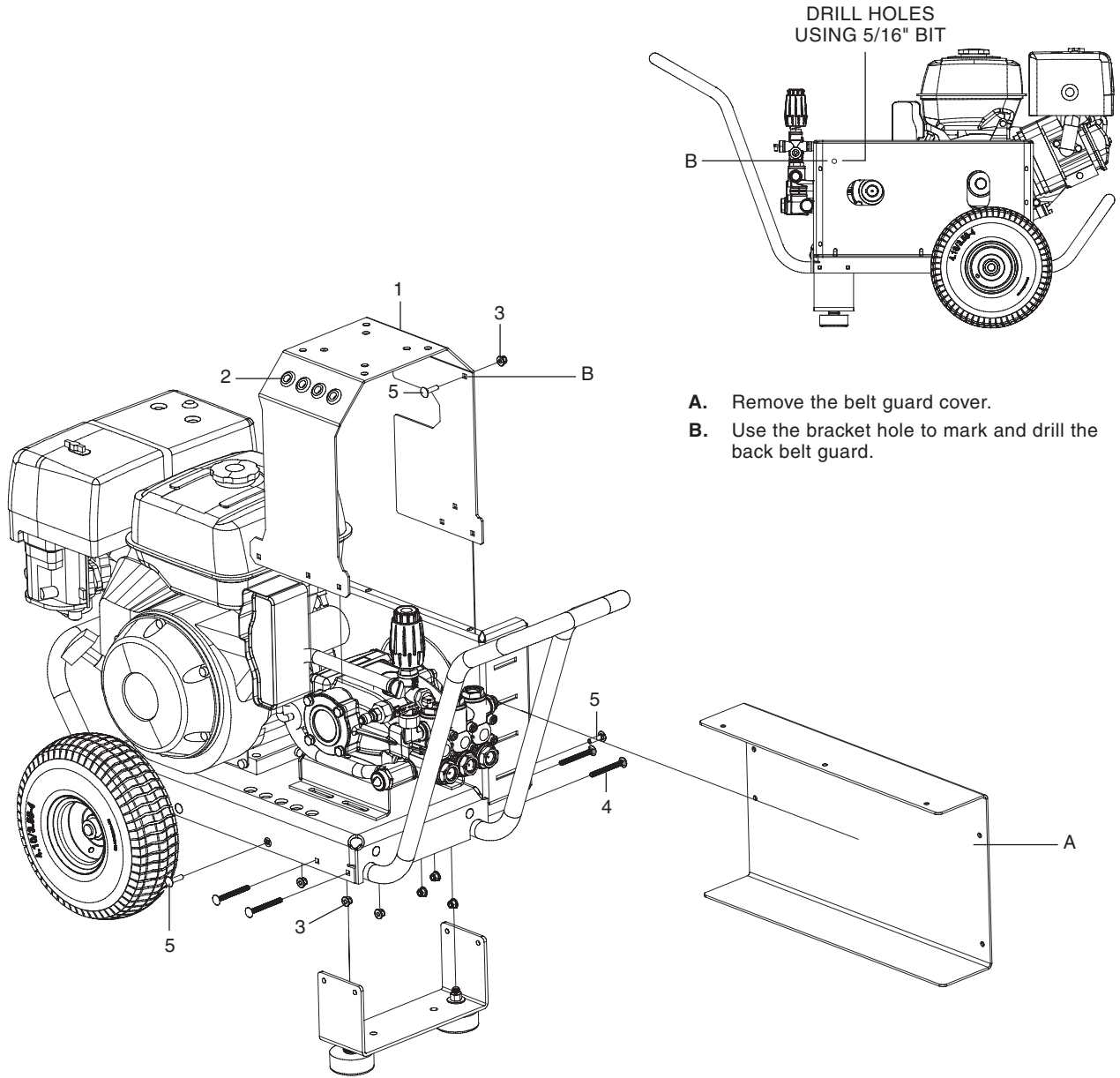
KIT 8.929-509.0



ITEM	PART NO.	DESCRIPTION	QTY
1	9.802-064.0	Grommet, Rubber, Nozzle Holder	4
2	8.929-507.0	Hose Reel Bracket DD	1
3	9.197-010.0	1/4"-20" Nylon Insert Lock Nut With Flange	4
4	9.802-705.0	Bolt, 1/4"-20 X 1" Carriage Zinc	4

EXPLODED VIEW BELT

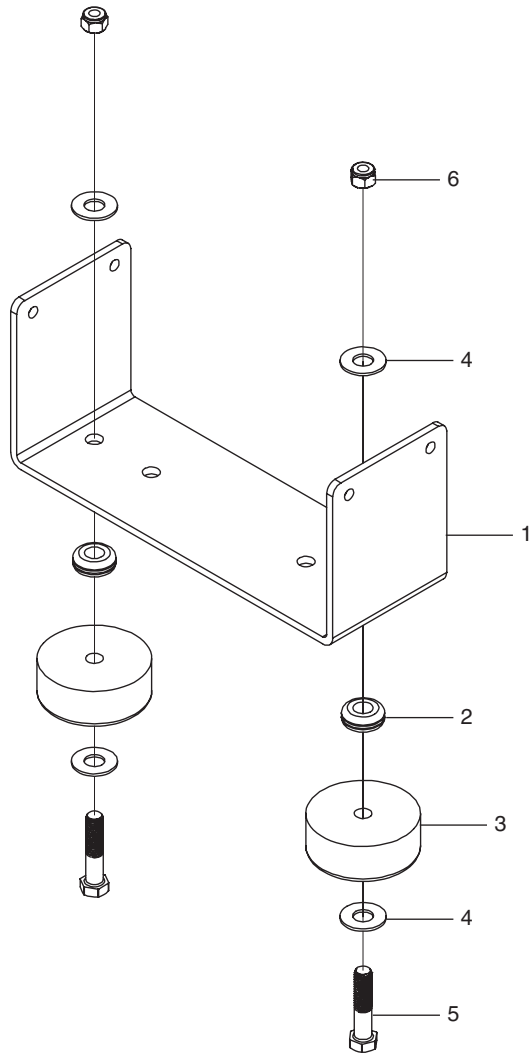
KIT 8.929-511.0



- A. Remove the belt guard cover.
- B. Use the bracket hole to mark and drill the back belt guard.

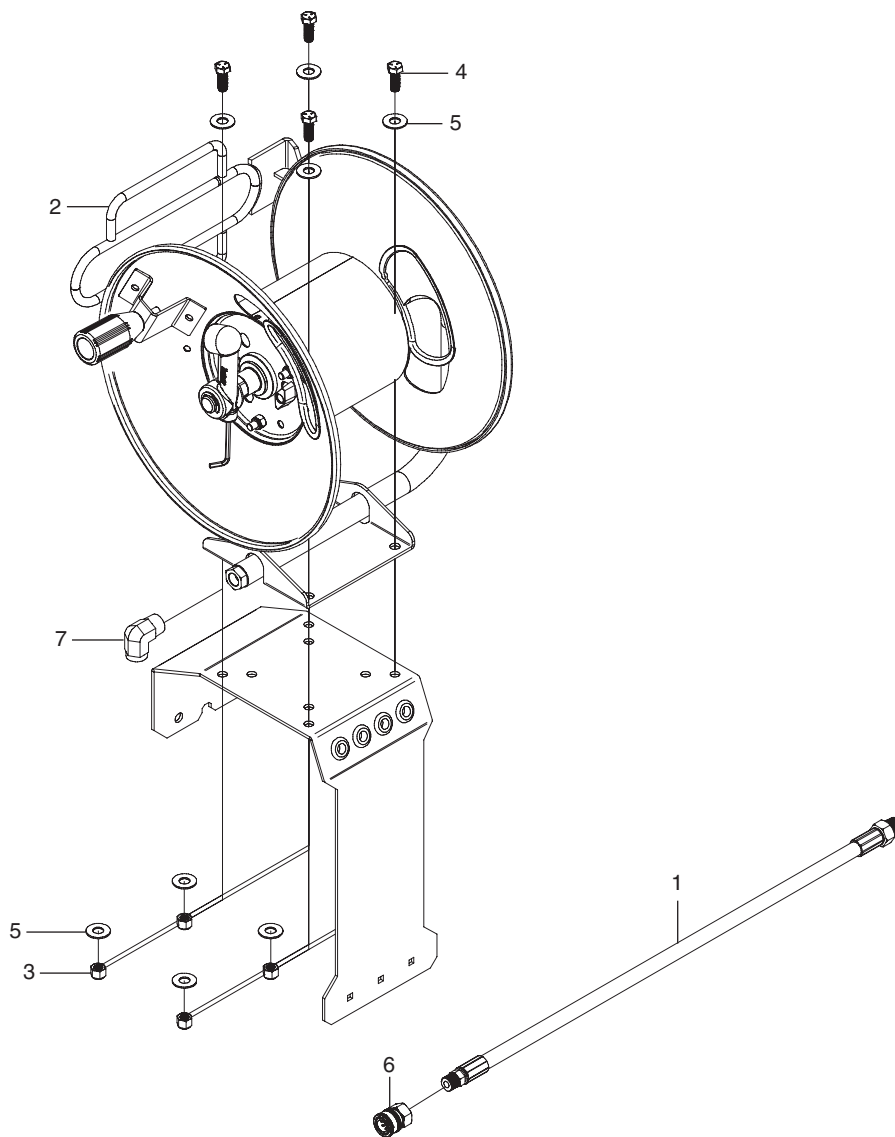
ITEM	PART NO.	DESCRIPTION	QTY
1	8.929-510.0	Hose Reel Bracket BD	1
2	9.802-064.0	Grommet, Rubber, Nozzle Holder	4
3	9.197-010.0	1/4-20" Nylon Insert Lock Nut With Flange	7
4	8.730-042.0	Bolt, Carriage 1/4-20X2 1/2 ZP	4
5	9.802-705.0	Bolt, 1/4"-20 X 1" Carriage Zinc	3

FOOT ASSEMBLY



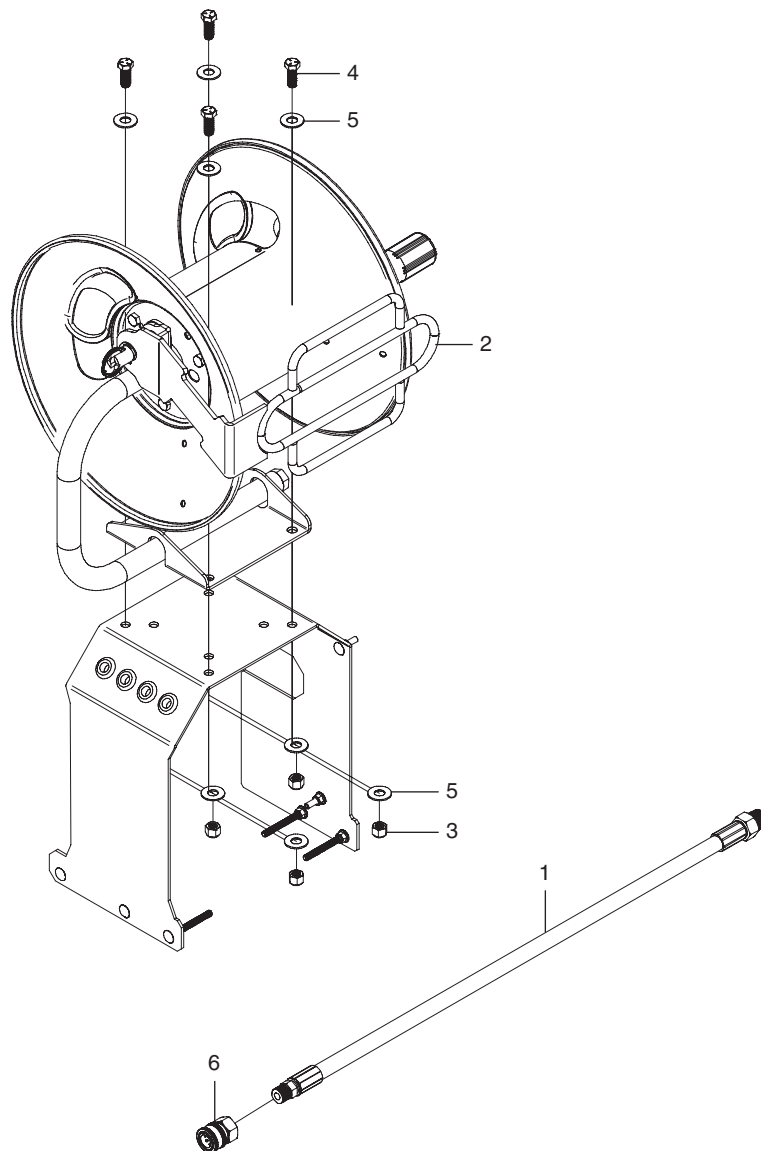
ITEM	PART NO.	DESCRIPTION	QTY
1	8.924-116.0	Foot AL DD Frame CW	1
2	9.802-064.0	Grommet, Rubber, Nozzle Holder	2
3	9.802-066.0	Pad Soft Rubber	2
4	9.802-817.0	Washer, 3/8" x 1"	4
5	9.196-041.0	Hex Head Bolt 3/8-16 X 1-3/4	2
6	9.197-003.0	3/8-16 NE Nylon Insert L/N ZC 5UM White	2

HOSE REEL BRACKET DD KIT #8.929-509.0



ITEM	PART NO.	DESCRIPTION	QTY
1	8.711-613.0	Hose, 3/8" x 36", 1 Wire, SWxSW	1
2	9.122-002.0	Hose Reel_100FT_Fixed Base (Sold separately) (or)	1
	9.804-067.0	Hose Reel, Ezee 3/8X100' W/Pinlock (Sold separately)	1
3	9.197-003.0	3/8-16 NE Nylon Insert L/N ZC 5UM White	8
4	9.802-720.0	Bolt, 3/8" X 1", NC HH	8
5	9.802-817.0	Washer, 3/8" x 1"	16
6	9.802-166.0	Coupler 3/8"Socket, Female, Brass	1
7	8.757-340.0	Elbow 3/8", Street 90 DEG, Steel, W/SLNT	1

HOSE REEL BRACKET BD KIT #8.929-511.0



ITEM	PART NO.	DESCRIPTION	QTY
1	8.918-194.0	Hose, 3/8" X 22.5", 1 Wire, 3/8" MPT X 3/8"	1
2	9.122-002.0	Hose Reel_100ft_Fixed Base (Sold separately) (or)	1
	9.804-067.0	Hose Reel, Ezee 3/8X100' W/Pinlock (Sold separately)	1
3	9.197-003.0	3/8-16 Ne Nylon Insert L/N ZC 5UM White	4
4	9.802-720.0	Bolt, 3/8" X 1", NC HH	4
5	9.802-817.0	Washer, 3/8" x 1"	8
6	9.802-166.0	Coupler 3/8"Socket, Female, Brass	1