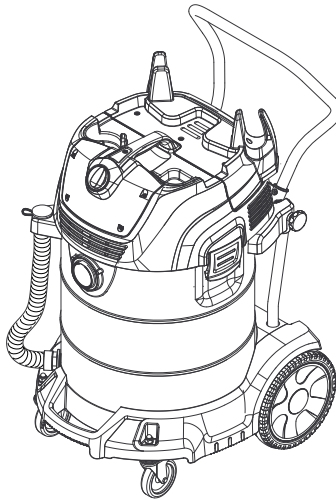
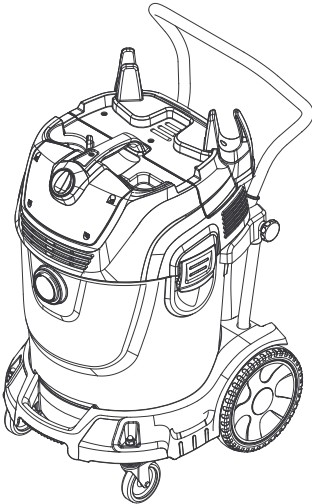


KÄRCHER

makes a difference

NT 65/2 Tact²
NT 75/2 Tact² Me



Deutsch	6
English	10
Français	14
Italiano	18
Nederlands	22
Español	26
Português	30
Dansk	34
Norsk	38
Svenska	42
Suomi	46
Ελληνικά	50
Türkçe	54
Русский	58
Magyar	62
Čeština	66
Slovenščina	70
Polski	74
Românește	78
Slovenčina	82
Hrvatski	86
Srpski	90
Български	94
Eesti	98
Latviešu	102
Lietuviškai	106
Українська	110



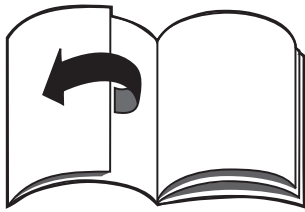
**Register
your product**
www.kärcher.com/welcome

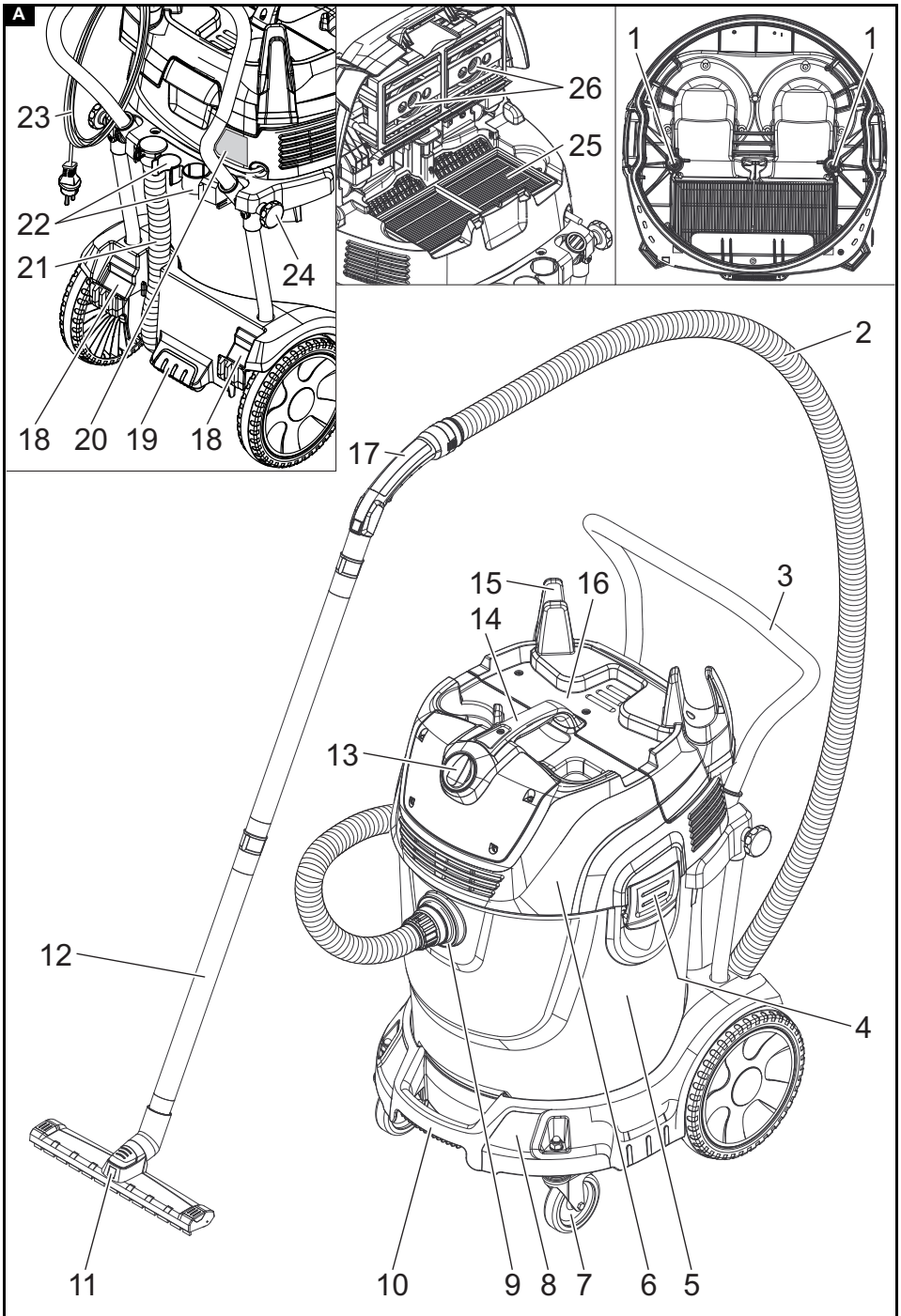


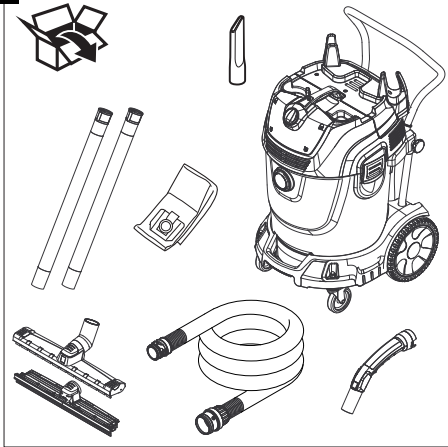
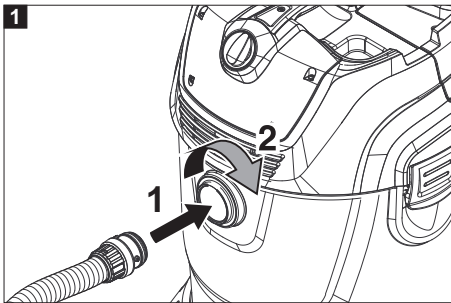
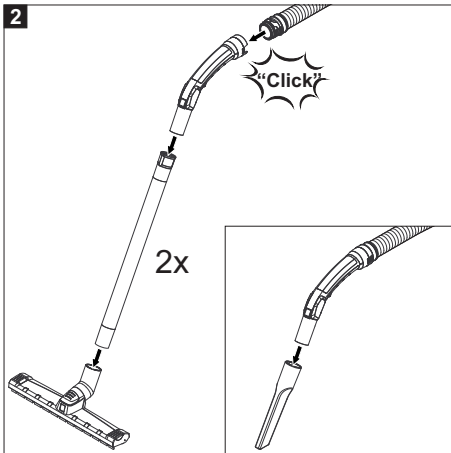
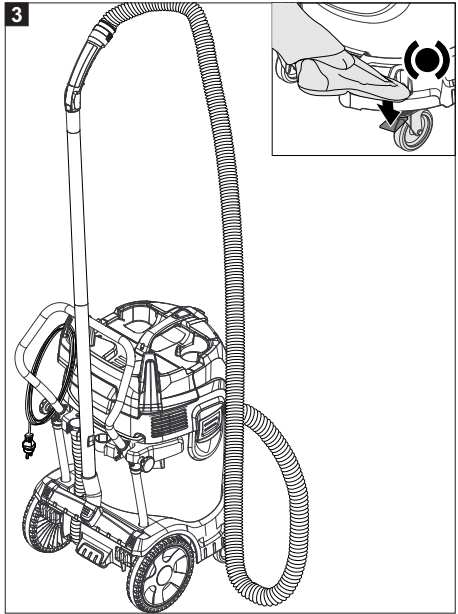
EAC

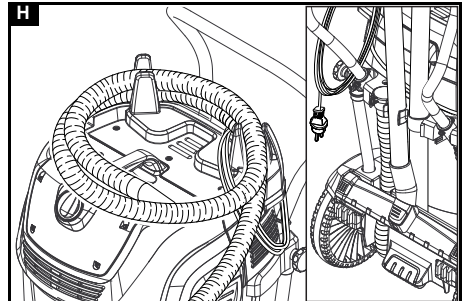
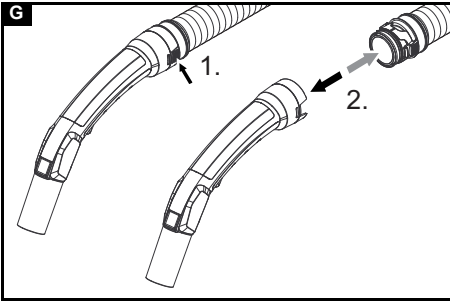
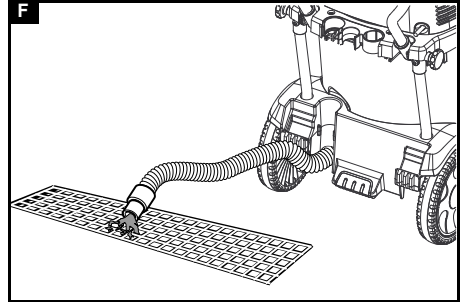
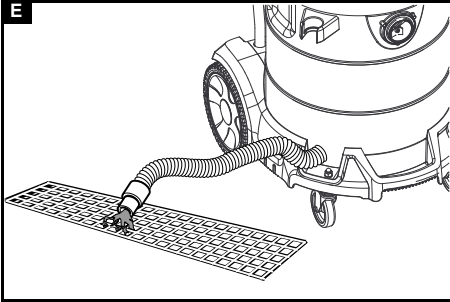
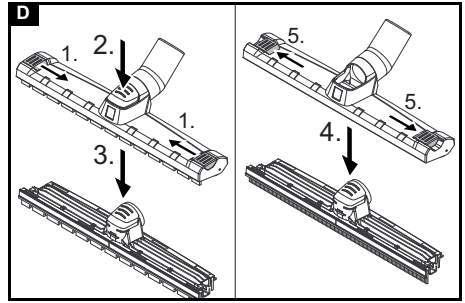
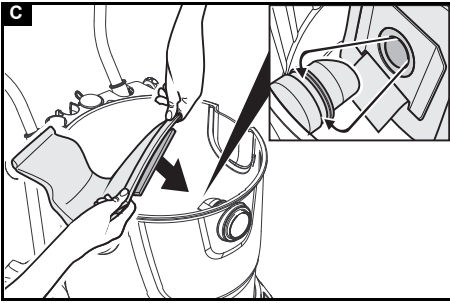


59688680 (07/19)





B**1****2****3**



Contents

General notes	10
Environmental protection	10
Intended use	10
Device description	10
Preparation	10
Initial startup	10
Operation	11
Transport	11
Storage	11
Care and service	12
Troubleshooting guide	12
Warranty	12
Accessories and spare parts	12
EU Declaration of Conformity	12
Technical data	13

General notes



Read these original instructions and the enclosed safety instructions before using the device for the first time. Act in accordance with them.

Keep both books for future reference or for future owners.

- If the operating instructions and safety instructions are not observed, the device can be damaged and dangers could arise for users and other persons.
- Notify the dealer immediately in the case of shipping damage.
- Check the package contents when unpacking for missing accessories or for damage.

Environmental protection



The packing materials can be recycled. Please dispose of packaging in accordance with the environmental regulations.



Electrical and electronic appliances contain valuable, recyclable materials and often components such as batteries, rechargeable batteries or oil, which - if handled or disposed of incorrectly - can pose a potential threat to human health and the environment. However, these components are required for the correct operation of the appliance. Appliances marked by this symbol are not allowed to be disposed of together with the household rubbish.

Notes on the content materials (REACH)

Current information on content materials can be found at: www.kaercher.com/REACH

Intended use

⚠ WARNING

Health risk

Inhalation of dusts that are harmful to health

Do not use the device for vacuuming up dusts that are harmful to health.

- This vacuum cleaner is intended for the wet and dry cleaning of floor and wall surfaces.
- This device is suitable for commercial use, e.g. in hotels, schools, hospitals, factories, shops, offices, and rental companies.

Device description

Illustration A

- ① Electrodes
- ② Suction hose
- ③ Push handle, adjustable
- ④ Suction head lock
- ⑤ Dirt receptacle
- ⑥ Removing the
- ⑦ Steering roller
- ⑧ Chassis
- ⑨ Suction hose port
- ⑩ Chassis handle
- ⑪ Floor nozzle
- ⑫ Suction pipe
- ⑬ Turn switch
- ⑭ Carrying handle
- ⑮ Hose and cable hooks
- ⑯ Filter cover
- ⑰ Angle piece
- ⑱ Rest for floor nozzle
- ⑲ Tilting aid
- ⑳ Type plate
- ㉑ Drain hose
- ㉒ Suction pipe holder
- ㉓ Mains cable
- ㉔ Push handle fastening screw
- ㉕ Flat fold filter
- ㉖ Filter dedusting

Colour coding

- Control elements for the cleaning process are yellow.
- Control elements for maintenance and servicing are light grey.

Preparation

1. Unpack the device and install the accessories.
Illustration B

Initial startup

ATTENTION

Danger due to fine dust entering

Risk of damage to the suction motor.

Never remove the flat fold filter when vacuuming.

Anti-static system

Static charges are discharged through the earthed connection nozzles. This prevents sparking and electric shocks with electrically conducting accessories (included in the scope of delivery).

Dry vacuuming

- An additional paper filter bag can be used when vacuuming fine dust.

Installing the paper filter bag

1. Unlock and remove the suction head.
2. Connect the paper filter bag.

Illustration C

3. Fit and lock the suction head.

Wet vacuum cleaning

Note

The flat fold filter (cellulose) with the order number 6.907-276.0 included in the scope of delivery is not recommended for regular wet vacuum cleaning.

Installing the squeegees

1. Remove the brush strip.

Illustration D

2. Install the squeegees.

Removing the paper filter bag

- The paper filter bag must always be removed when vacuuming wet substances.
- It is recommended to use a special filter bag (wet) (see filter systems).

Draining the waste water

⚠ WARNING

Improper disposal of waste water

Environmental pollution

Observe the local waste water treatment regulations.

1. Drain the waste water via the drain hose.

Device with a metal container:

Illustration E

Device with a plastic container:

Illustration F

General

- We recommend switching off the "Automatic filter dedusting" function when vacuuming wet dirt with the crevice nozzle or the upholstery nozzle (optional), or when sucking mainly water out of a container.
- The device switches off automatically when the maximum fluid level is reached.
- When vacuuming non-conductive liquids (e.g. drill emulsion, oils and grease) the device does not automatically switch off when the container is full. The filling level must be continuously monitored and the container emptied on a timely basis.
- On completion of wet vacuum cleaning: Clean the flat fold filter using the dedusting function. Clean the electrodes with a brush. Clean the container with a moist cloth and dry it off.




Clip connection

The suction hose is equipped with a clip system. All accessory parts with a nominal width of 40 mm can be connected.

Illustration G

Operation

Turn switch

	Device ON Automatic filter dedusting: OFF
	Device OFF
	Device ON Automatic filter dedusting: ON

Switching on the device

1. Connect the mains plug.
2. Switch on the device at the turn switch.

Automatic filter dedusting

The device is equipped with a special double filter dedusting function, which is particularly effective against fine dust. The flat fold filter is automatically cleaned every 7.5 seconds by a blast of air (pulsing noise).

Switching off the device

1. Switch off the device at the turn switch.
2. Pull out the mains plug.

Each time after use

1. Empty the container.
2. Vacuum off the inside and outside of the device and clean with a moist cloth.

Folding the push handle in/out

1. Release the push handle fastening screws and adjust the push handle.

Storing the device

1. Store the suction hose and mains cable as shown in the illustration.
Illustration H
2. Store the device in a dry room and secure it against unauthorised use.

Transport

⚠ CAUTION

Failure to observe the weight

Risk of injury and damage

Be aware of the weight of the device during transportation.

1. Remove the suction hose with floor nozzle from the support. Carry the device by the carrying handle and suction pipe.
2. Load the device by the chassis handle and push handle.
3. Pull the device behind you via the push handle for transporting over longer distances.
4. When transporting the device in vehicles, secure it to prevent it from slipping or overturning in accordance with the respective valid guidelines.

Storage

⚠ CAUTION

Failure to observe the weight

Risk of injury and damage

Be aware of the weight of the device during storage.

The device may only be operated indoors.

Care and service

⚠ DANGER

Danger of electric shock

Injuries due to touching live parts

Switch off the device.

Remove the mains plug.

Replacing the flat fold filter

1. Open the filter cover.
2. Remove the flat fold filter.
3. Fit the new flat fold filter. During insertion, ensure that the flat fold filter is flush on all sides.
4. Close the filter cover until it audibly latches into place.

Cleaning the electrodes

1. Unlock and remove the suction head.
2. Clean the electrodes and the gap between the electrodes with a brush.
3. Fit and lock the suction head.

Troubleshooting guide

⚠ DANGER

Danger of electric shock

Injuries due to touching live parts

Switch off the device.

Remove the mains plug.

Suction turbine does not start up

1. Check the socket and the power supply fuse.
2. Check the mains cable, mains plug and electrodes on the device.
3. Switch on the device.

Suction turbine switches off

1. Empty the container.

Suction turbine does not switch on again after emptying the container

1. Switch off the device and wait for 5 seconds. Switch on the device.
2. Clean the electrodes and the gap between the electrodes with a brush.

Suction power decreases

1. Remove any blockages from the suction nozzle, suction pipe, suction hose or flat fold filter.
2. Change the filled paper filter bag.
3. Correctly engage the filter cover.
4. Replace the flat fold filter.
5. Check the drain hose for leaks.

Escaping dust when vacuuming

1. Check that the flat fold filter is correctly fitted and correct if necessary.
2. Replace the flat fold filter.

The automatic switch-off mechanism (wet vacuum cleaning) does not trigger

1. Clean the electrodes and the gap between the electrodes with a brush.
2. Continuously monitor the filling level when vacuuming non-conductive liquids.

Automatic filter dedusting not working

1. Suction hose not connected.

The automatic filter dedusting function cannot be switched off

1. Contact Customer Service.

The automatic filter dedusting function cannot be switched on

1. Contact Customer Service.

Customer Service department

If the malfunction cannot be corrected, the device must be checked by the Customer Service department.

Warranty

The warranty conditions issued by our relevant sales company apply in all countries. We shall remedy possible malfunctions on your appliance within the warranty period free of cost, provided that a material or manufacturing defect is the cause. In a warranty case, please contact your dealer (with the purchase receipt) or the next authorised customer service site.
(See overleaf for the address)

Accessories and spare parts

Only use original accessories and original spare parts. They ensure that the appliance will run fault-free and safely.

Information on accessories and spare parts can be found at www.kaercher.com.

EU Declaration of Conformity

We hereby declare that the machine described below complies with the relevant basic safety and health requirements in the EU Directives, both in its basic design and construction as well as in the version placed in circulation by us. This declaration is invalidated by any changes made to the machine that are not approved by us.

Product: Wet/dry vacuum cleaner

Type: 1.667-xxx

Currently applicable EU Directives

2006/42/EC (+2009/127/EC)

2011/65/EU

2014/30/EU

Harmonised standards used

EN 50581

EN 55014-1: 2017

EN 55014-2: 2015

EN 60335-1

EN 60335-2-69

EN 61000-3-2: 2014

EN 61000-3-3: 2013

EN 62233: 2008

National standards used

-

The signatories act on behalf of and with the authority of the company management.


H. Jenner

Chairman of the Board of Management



S. Reiser

Director Regulatory Affairs & Certification

Documentation supervisor: S. Reiser

Alfred Kärcher SE & Co. KG

Alfred-Kärcher-Str. 28 - 40

71364 Winnenden (Germany)

Ph.: +49 7195 14-0

Fax: +49 7195 14-2212

Winnenden, 2018/10/01

Technical data

		NT 65/2 Tact ²	NT 75/2 Tact ² Me
Electrical connection			
Mains voltage	V	220-240	220-240
Phase	~	1	1
Power frequency	Hz	50-60	50-60
Degree of protection		IPX4	IPX4
Protection class		I	I
Nominal power	W	2400	2400
Maximum power	W	2760	2760
Device performance data			
Tank content	l	65	75
Fluid filling quantity	l	48	52
Air quantity (max.)	l/s	2x 74	2x 74
Vacuum (max.)	kPa (mbar)	25,4 (254)	25,4 (254)
Dimensions and weights			
Typical operating weight	kg	24,5	27,8
Length x width x height	mm	575 x 490 x 880	630 x 545 x 920
Diameter of the suction hose	mm	40	40
Ambient conditions			
Ambient temperature (max.)	°C	+40	+40
Determined values in acc. with EN 60335-2-69			
Sound pressure level L_{pA}	dB(A)	73	73
Uncertainty K_{pA}	dB(A)	1	1
Hand-arm vibration value	m/s^2	<2,5	<2,5
Uncertainty K	m/s^2	0,2	0,2
Mains cable			
Power cord type	mm ²	H07RN-F 3x1,5	H07RN-F 3x1,5
Part number (EU)		6.649-915.0	6.649-915.0
Cable length	m	10	10

Subject to technical modifications.