

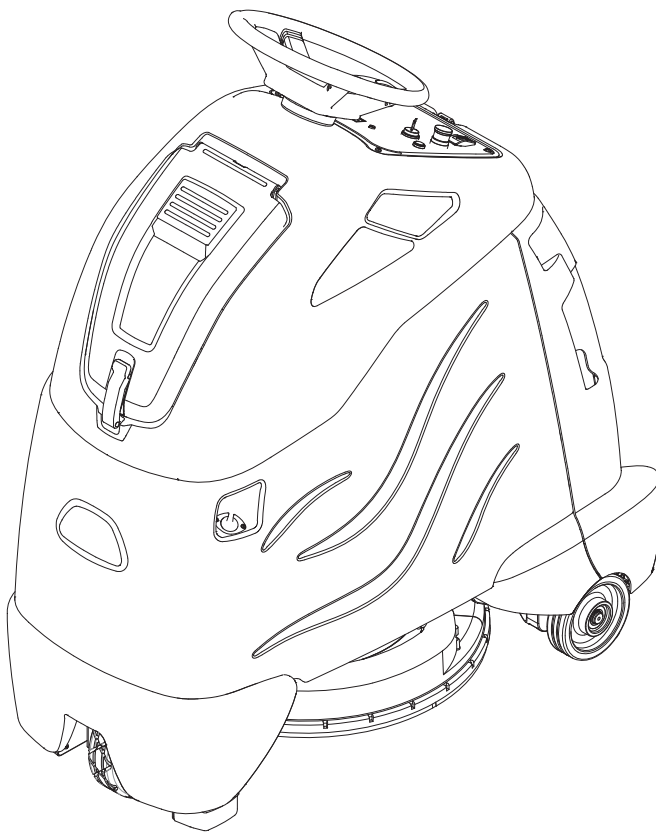
KÄRCHER

makes a difference

Chariot 2 iGloss 20

English 02

Español 43



**Register
your product**

www.kaercher.com/welcome



86446780-A 01/05/21

Machine Data Label

Model:	_____
Date of Purchase:	_____
Serial Number:	_____
Dealer:	_____
Address:	_____
Phone Number:	_____
Sales Representative:	_____

The Chariot iGloss 20 is a battery powered, ride-on, hard floor burnisher intended for commercial use. This machine applies a high luster to hard floor surfaces.

MODELS:

1.008-092.0
1.008-093.0
1.008-094.0
1.008-095.0
1.008-096.0
1.008-097.0
1.008-098.0
1.008-099.0
1.008-100.0
1.008-101.0

Warranty Registration

Thank you for purchasing a Kärcher North America product. Warranty registration is quick and easy. Your registration will allow us to serve you better over the lifetime of the product.

To register your product go to :

<http://warranty.karcherna.com/>

For customer assistance:

1-800-444-7654

KÄRCHER

makes a difference

Machine Data Label2
Table of Contents3
How To Use This Manual4

Safety

Safety Label Locations5
IMPORTANT SAFETY INSTRUCTIONS6
HAZARD INTENSITY LEVEL8

Operation

Technical Specifications10
How This Machine Works12
Components13
Drive Controls14
Function Mode Switch18
Pre-Run Machine Inspection19
Starting Machine19
Emergency Stop Procedure19
Operating the Machine19
Normal Burnishing20

Maintenance

Service Schedule21
Checking Battery Specific Gravity24
Changing Batteries26
Battery Charger Programming27
Burnishing Pad29
Burnisher Motor Replacement30
Deck Actuator Removal / Replacement30
Body Assembly Removal32
Drive Unit Removal32
Vacuum - Optional34
Drive Motor36
Drive Motor Carbon Brush Replacement36
Drive Chain Tension36
Machine Tie-Downs38
Troubleshooting39
Suggested Spare Parts42

How To Use This Manual

This manual contains the following sections:

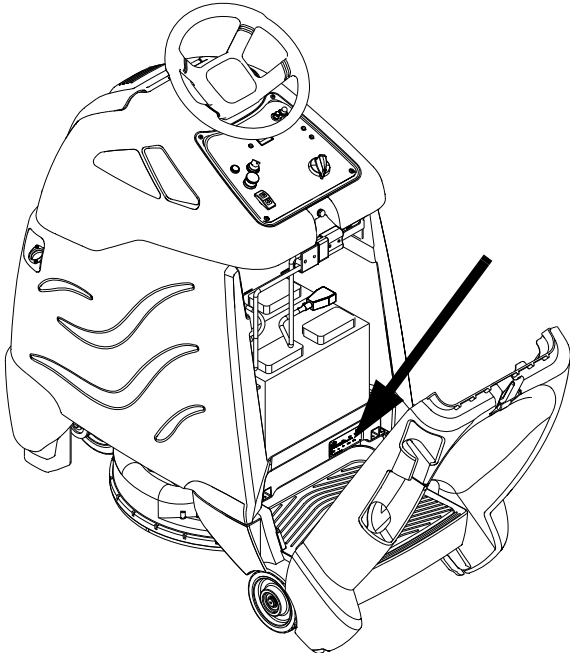
- HOW TO USE THIS MANUAL
- SAFETY
- OPERATIONS
- MAINTENANCE
- PARTS LIST

The HOW TO USE THIS MANUAL section will tell you how to find important information for ordering correct repair parts.

Parts may be ordered from authorized Kärcher North America dealers. When placing an order for parts, the machine model and machine serial number are important. Refer to the MACHINE DATA box which is filled out during the installation of your machine. The MACHINE DATA box is located on the inside of the front cover of this manual.

Model:	_____
Date of Purchase:	_____
Serial Number:	_____
Dealer:	_____
Address:	_____
Phone Number:	_____
Sales Representative:	_____

The model and serial number of your machine are located below the battery compartment of the machine.



The SAFETY section contains important information regarding hazard or unsafe practices of the machine. Levels of hazards are identified that could result in product or personal injury, or severe injury resulting in death.

The OPERATIONS section is to familiarize the operator with the operation and function of the machine.

The MAINTENANCE section contains preventive maintenance to keep the machine and its components in good working condition. They are listed in this general order:

- Batteries
- Brush Deck
- Circuit Protection
- Drive Motor and Brake
- Service Schedule
- Vacuum Motor
- Machine Troubleshooting

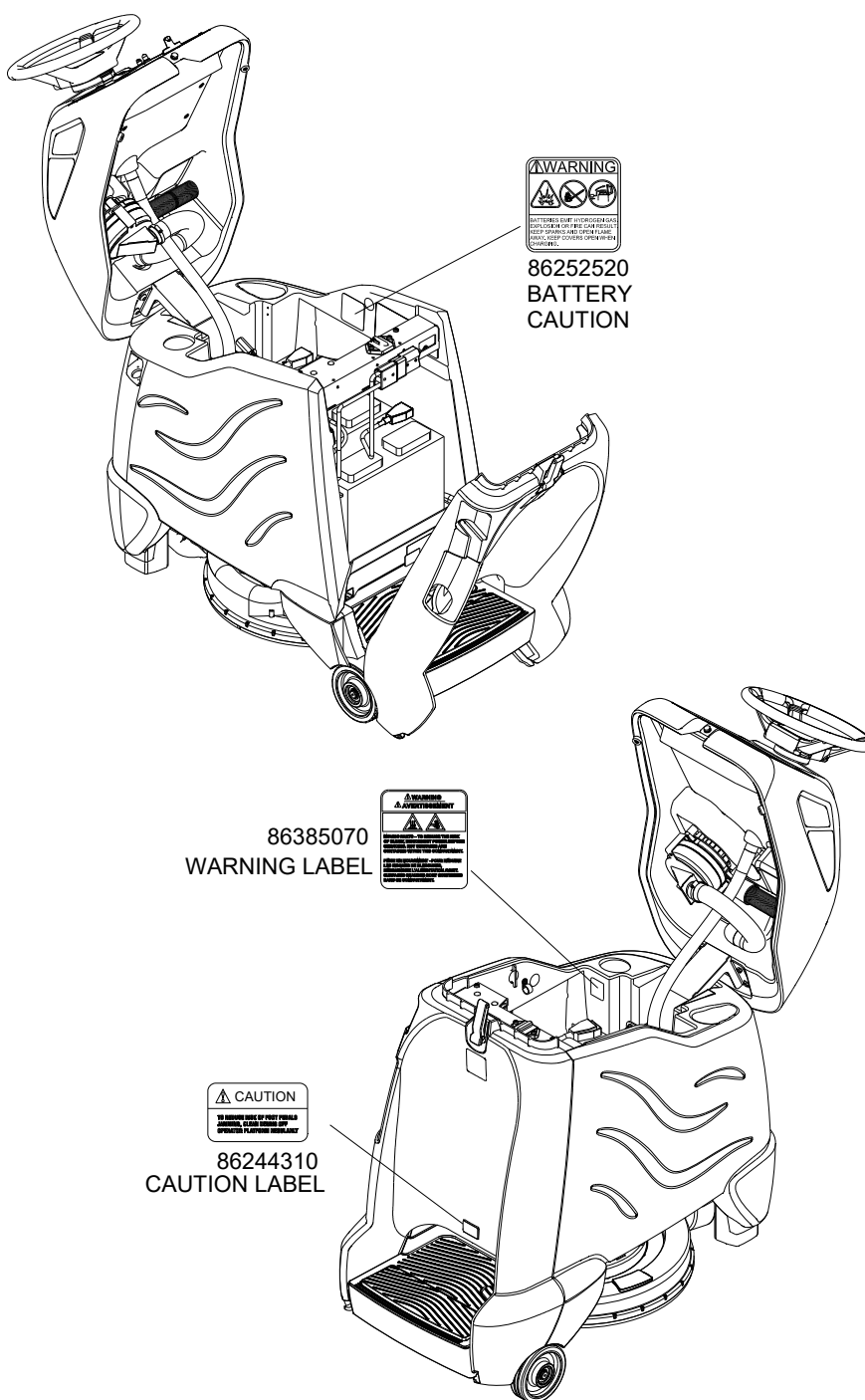
The number on the lower right corner of the front cover is the part number for this manual.

Safety Label Locations

NOTE: These drawings indicate the location of safety labels on the machine. If at any time the labels become illegible, promptly replace them.

Emplacement De L'étiquette De Sécurité

REMARQUE : Ces dessins indiquent l'emplacement des étiquettes de sécurité sur la machine. Si, à tout moment, les étiquettes deviennent illisibles, contactez votre représentant autorisé pour un remplacement rapide.



IMPORTANT SAFETY INSTRUCTIONS

When using an electrical appliance, basic precaution must always be followed, including the following:

READ ALL INSTRUCTIONS BEFORE USING THIS MACHINE.

⚠ WARNING: To reduce the risk of fire, electric shock, or injury:

Use only indoors. Do not use outdoors or expose to rain.

Use only as described in this manual. Use only manufacturer's recommended components and attachments.

If the machine is not working properly, has been dropped, damaged, left outdoors, or dropped into water, return it to an authorized service center.

Do not operate the machine with any openings blocked. Keep openings free of debris that may reduce airflow.

This machine is not suitable for picking up hazardous dust.

Do not operate this machine near flammable fluids, dust or vapors.

Maintenance and repairs must be done by qualified personnel.

Disconnect battery before cleaning or servicing.

Before the machine is discarded, the batteries must be removed and properly disposed of.

Make sure all warning and caution labels are legible and properly attached to the machine.

During operation, attention shall be paid to other persons, especially children.

Before use all covers and doors shall be put in the positions specified in the instructions.

When leaving unattended, secure against unintentional movement.

The machine shall only be operated by instructed and authorized persons.

When leaving unattended, switch off or lock the main power switch to prevent unauthorized use.

This appliance has been designed for use with the pads specified by the manufacturer. The fitting of other pads may affect its safety.

Do not use on surfaces having a gradient of over 10% (6 degrees).

SAVE THESE INSTRUCTIONS

MESURES DE SÉCURITÉ IMPORTANTES

Lors de l'utilisation d'un appareil à batteries, il est nécessaire de respecter systématiquement des mesures de sécurité de base, comme suit :

PRENEZ NOTE DE TOUTES CES MESURES AVANT D'UTILISER CETTE MACHINE.

▲ AVERTISSEMENT: Pour réduire les risques d'incendie, de chocs électriques, ou de blessures :

N'utiliser cette machine qu'en intérieur. Ne jamais l'utiliser à l'extérieur ou dans la pluie.

Utiliser cet appareil conformément aux instructions du présent manuel uniquement. N'utiliser que les composants et les accessoires conseillés par le fabricant.

Lorsque la machine ne fonctionnant pas correctement, a fait l'objet d'une chute ou d'une détérioration, a été laissée à l'extérieur, est tombée dans l'eau, la retourner au centre de service agréé.

Ne pas opérer la machine lorsque les conduits de ventilation sont bloquées. Débarrasser les débris des conduits, car ils peuvent réduire l'écoulement d'air.

Cette machine n'est pas adaptée au ramassage de poussières dangereuses

Ne pas l'utiliser près de liquides, de poussières ou de vapeurs inflammables.

L'entretien et les réparations de la machine doivent être effectuées par un personnel qualifié.

Si de la mousse ou du liquide sort de la machine, la mettre hors tension immédiatement.

Déconnecter les batteries avant de nettoyer la machine ou de la soumettre à un entretien.

Avant de se débarrasser de la machine, il est nécessaire de retirer les batteries et de les jeter correctement.

S'assurer que toutes les plaques d'avertissement ou de précaution sont lisibles et fixées correctement sur la machine.

Durant la manoeuvre de la machine, prendre garde aux personnes environnantes et notamment aux enfants.

Avant l'utilisation de la machine, veiller à positionner tous les couvercles et portes comme indiqué dans les instructions.

Lorsque la machine est laissée sans surveillance, s'assurer qu'elle ne se déplace pas de manière accidentelle.

Cette machine ne doit être manoeuvrée que par un personnel expérimenté et qualifié.

Lorsque la machine est laissée sans surveillance, la mettre hors tension ou verrouiller l'interrupteur principal afin d'empêcher un emploi non autorisé.

Seuls les produits chimiques recommandés par le fabricant doivent être utilisés.

Cette machine a été conçue pour être utilisée avec des garnitures spécifiées par le fabricant.

L'utilisation d'autres garnitures peut affecter sa sûreté.

N'employez pas sur des surfaces ayant un gradient de plus de 10% (6 degrés).

CONSERVER CES INSTRUCTIONS

Safety

The following symbols are used throughout this guide as indicated in their descriptions:

HAZARD INTENSITY LEVEL

There are three levels of hazard intensity identified by signal words **-WARNING** and **CAUTION** and **FOR SAFETY**. The level of hazard intensity is determined by the following definitions:

WARNING:

WARNING - Hazards or unsafe practices which **COULD** result in severe personal injury or death.

CAUTION:

CAUTION - Hazards or unsafe practices which could result in minor personal injury or product or property damage.

FOR SAFETY: To Identify actions which must be followed for safe operation of equipment.

Report machine damage or faulty operation immediately. Do not use the machine if it is not in proper operating condition. Following is information that signals some potentially dangerous conditions to the operator or the equipment. Read this information carefully. Know when these conditions can exist. Locate all safety devices on the machine. Please take the necessary steps to train the machine operating personnel.

FOR SAFETY:

DO NOT OPERATE MACHINE:

Unless Trained and Authorized.

Unless Operation Guide is Read and understood.

In Flammable or Explosive areas.

In areas with possible falling objects.

WHEN SERVICING MACHINE:

Avoid moving parts. Do not wear loose clothing; jackets, shirts, or sleeves when working on the machine. Use Kärcher North America approved replacement parts.

WARNING:

Batteries emit hydrogen gas. Explosion or fire can result. Keep sparks and open flame away. Keep battery compartment open during charging. Keep sparks and flames away from the batteries. Do not smoke around batteries.

WARNING:

Disconnect batteries before working on machine. Only qualified personnel should work inside machine. Always wear eye protection and protective clothing when working on or near batteries. Avoid skin contact with the acid contained in the batteries.

WARNING:

Never allow metal to lie across battery tops.

Les symboles ci-dessous sont utilisés à travers ce manuel comme illustré dans leurs descriptions :

DEGRÉS DE RISQUES EN CAS DE DANGER

Il existe trois degrés de risques identifiés par les termes signalétiques -AVERTISSEMENT et ATTENTION et POUR VOTRE SÉCURITÉ. Le degré de risque est défini de la manière suivante:

⚠ AVERTISSEMENT:

AVERTISSEMENT - Dangers ou méthodes dangereuses qui POURRAIENT provoquer de graves blessures ou entraîner la mort.

⚠ ATTENTION:

ATTENTION - Dangers ou méthodes dangereuses qui pourraient provoquer des blessures légères ou une détérioration du produit ou des biens immobiliers.

POUR VOTRE SÉCURITÉ: ce signe permet d'identifier les mesures de précaution à prendre pour assurer un bon fonctionnement du matériel.

Rendre compte immédiatement d'une défaillance ou d'une détérioration de la machine. Ne pas utiliser la machine si celle-ci ne fonctionne pas correctement. Lire soigneusement les informations ci-dessous signalant certains dangers potentiels pour l'opérateur de la machine. L'opérateur doit être absolument au courant de ces dangers potentiels. Localiser tous les dispositifs de sécurité sur la machine. Il est conseillé de prendre les mesures nécessaires pour former le personnel opérateur.

POUR VOTRE SÉCURITÉ:

NE PAS MANOEUVRER LA MACHINE:

Lorsqu'on n'est pas expérimenté ou qualifié.

Lorsque le guide d'utilisation n'est pas été lu ou compris.

Dans des zones inflammables ou explosives.

Dans des zones où des objets peuvent tomber.

LORS DE L'ENTRETIEN DE LA MACHINE:

Éviter les parties amovibles. Ne pas porter de vêtements amples, tels que des vestes, des chemises ou des vêtements avec manches lors de l'utilisation de la machine. Utiliser les pièces détachées Kärcher North America homologuées.

⚠ AVERTISSEMENT:

Les batteries émettent le gaz d'hydrogène. L'explosion ou le feu peut résulter. Étincelles de subsistance et flamme nue loin. Compartiment de batterie de subsistance ouvert en chargeant. Étincelles et flammes de subsistance loin des batteries. Ne fumez pas autour des batteries.

⚠ AVERTISSEMENT:

Déconnecter les batteries avant de travailler sur la machine. La machine ne doit être confiée qu'à un personnel qualifié. Porter systématiquement des lunettes et des vêtements de protection lors d'une intervention sur les batteries ou aux alentours. Éviter tout contact de la peau avec l'acide contenu dans les batteries.

⚠ AVERTISSEMENT:

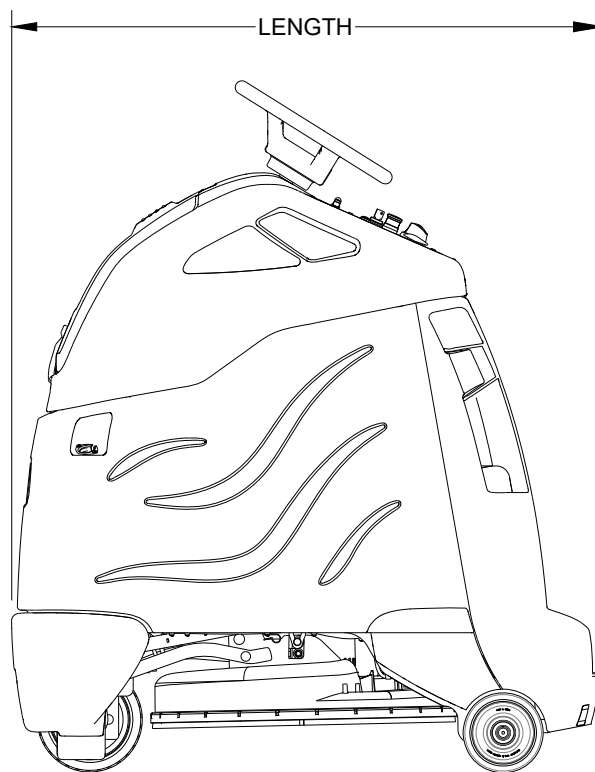
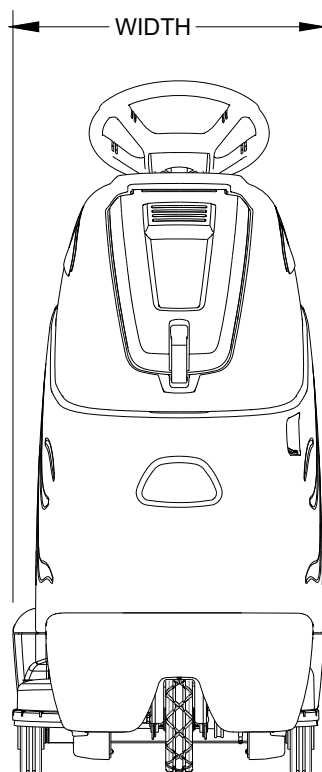
Ne jamais placer d'objets métalliques sur le dessus des batteries.

Operation

Technical Specifications

ITEM	DIMENSION/CAPACITY
Nominal Power	Passive Dust Control 2232W, Active Dust Control 2628W
Rated Voltage	36 Volts DC
Rated Amperage	Passive Dust Control 62A, Active Dust Control 73A
Batteries	3 X12 Volt 114 AH, 130 AH, 225AH, or 234AH @ 20 hr. rate
Battery Compartment Dimensions	21.5 in. x 15.25 in. x 16 in. tall (546mm x 387mm x 406mm tall)
Burnisher Motor	3.0 HP, 36V, 2000RPM (2237W)
Vacuum Motor	.63 HP (470 W)
Maximum flow rate of vacuum motor	72 cfm (33.98 liters per second)
Maximum suction of vacuum motor	47.3 inches of water (11.7 kPa)
Propelling Motor	.38 HP (280W)
Mass (GVW)	838 lbs (380 kg)
Weight empty without batteries	231 lbs (105 kg)
Burnisher pad diameter	20 inch (508 mm)
Tires	8 in. (203mm) drive, 6 in. (156mm) rear, polyurethane
Maximum Speed	2.3 mph (3.7Km/hour)
Theoretical Coverage	19,800ft ² /hr @ 2.5 mph with 2 in. overlap
Brake	Electrical parking brake, sets automatically whenever operator stops.
Minimum aisle u-turn width	51in. (1295 mm)
Maximum rated climb and descent angle	10% (6 degrees)
Vibration, hands	1.58 m/s ²
Vibration, feet	1.39 m/s ²
Uncertainty	0.5 m/s ²
Sound pressure level	Passive Dust Control 59.7 dBA, Active Dust Control 62.2 dBA
Sound power level	Passive Dust Control 76.3 dBA, Active Dust Control 80.1 dBA
Uncertainty	3.0 dBA

ITEM	MEASURE
Height	51.8 in (1316mm)
Length	44.0 in (1118mm)
Width	23.4 in. (594mm)
Width of burnish path	20 in (508mm)



⚠ CAUTION:

This appliance is not intended for use by persons (including children) with reduced physical, sensory or mental capabilities, or lack of experience and knowledge, unless they have been given supervision or instruction concerning use of the appliance by a person responsible for their safety. Children should be supervised to ensure that they do not play with the appliance.

⚠ ATTENTION:

Cet appareil n'est pas prévu à l'usage des personnes (enfants y compris) avec des possibilités physiques, sensorielles ou mentales réduites, ou le manque d'expérience et de connaissance, à moins qu'ils aient été donnés la surveillance ou l'instruction au sujet de l'utilisation de l'appareil par une personne chargée de leur sûreté. Des enfants devraient être dirigés pour s'assurer qu'ils ne jouent pas avec l'appareil.

How This Machine Works

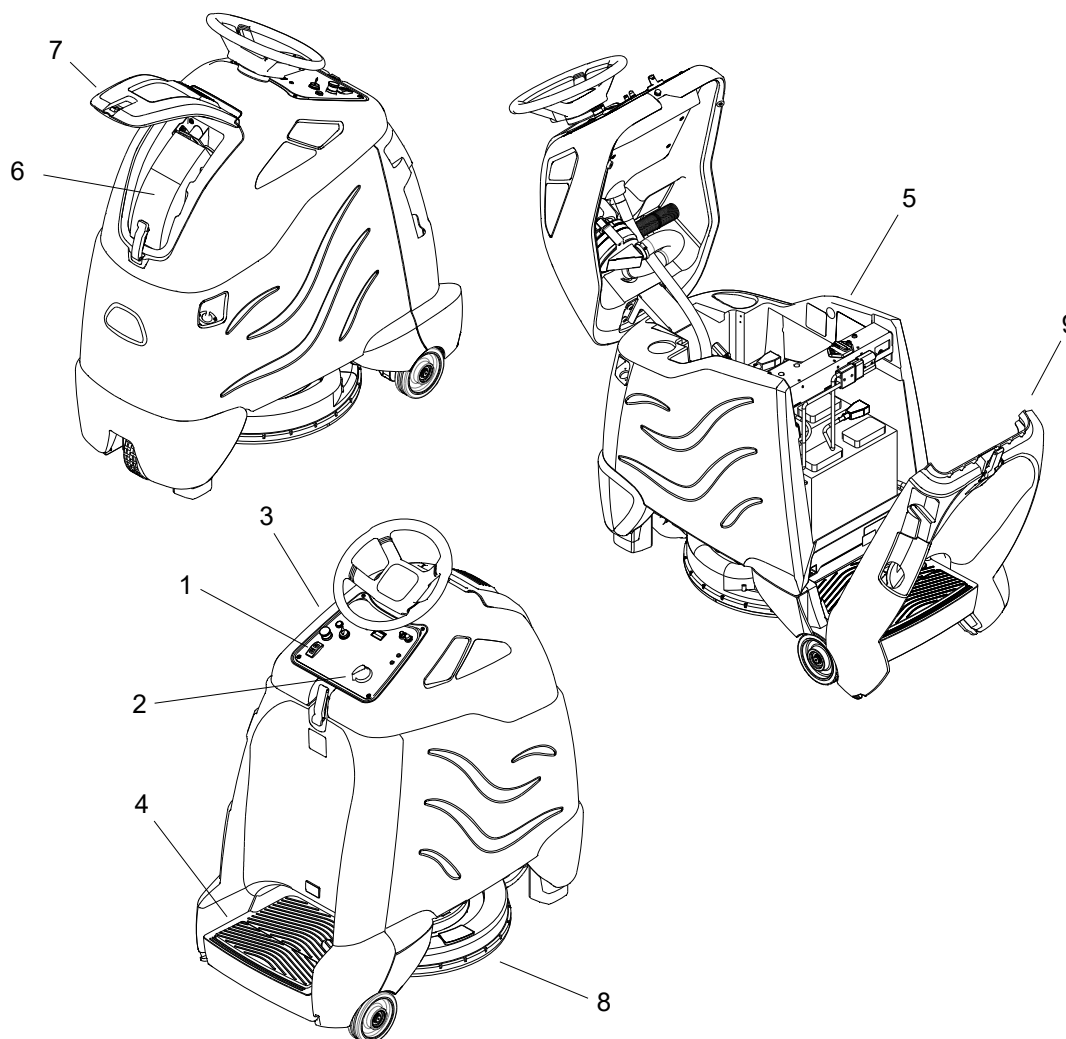
The Chariot® iGloss 20 is a battery powered, self-propelled, hard floor burnisher intended for commercial use. The appliance spins a high-speed burnishing pad in contact with the floor surface to produce a high luster shine.

The machine's primary systems are the burnishing system, the dust control system, and the operator control system.

The function of the burnishing system is to spin a high-speed burnishing pad in contact with a floor surface that has had a burnishable floor finish applied. The burnishing pad can be lowered to the floor and raised by the operator. The burnishing pad will spin only when the machine is directed to move by the operator.

The function of the dust control system is to collect the dust that is created during the burnishing process. It is normal for a portion of the floor finish to be removed in the form of dust during the process. While burnishing, air movement is created within the burnishing head by the spinning pad. The dust that is also created is entrained in the air stream and transported to a filter bag where it is collected and separated from the air stream. The filter bag can be easily changed without releasing the collected dust. The optional active dust control system uses a vacuum motor to improve dust collection before, during, and after burnishing.

The function of the operator control system is to control the direction and speed of the machine. The directional control system consists of the direction control drive reset switch, throttle pedal, emergency stop/brake switch, steering wheel, propel controller, and drive wheel. The directional control drive reset switch signals forward or reverse direction and makes sure the operator is on the platform before machine will propel. The controller interprets signals from the throttle pedal to command the drive wheel to propel or slow the machine. The steering wheel points the drive wheel in the direction desired by the operator. The parking brake automatically engages when the operator stops the machine. The emergency stop/brake can be used to hold the machine on slopes.

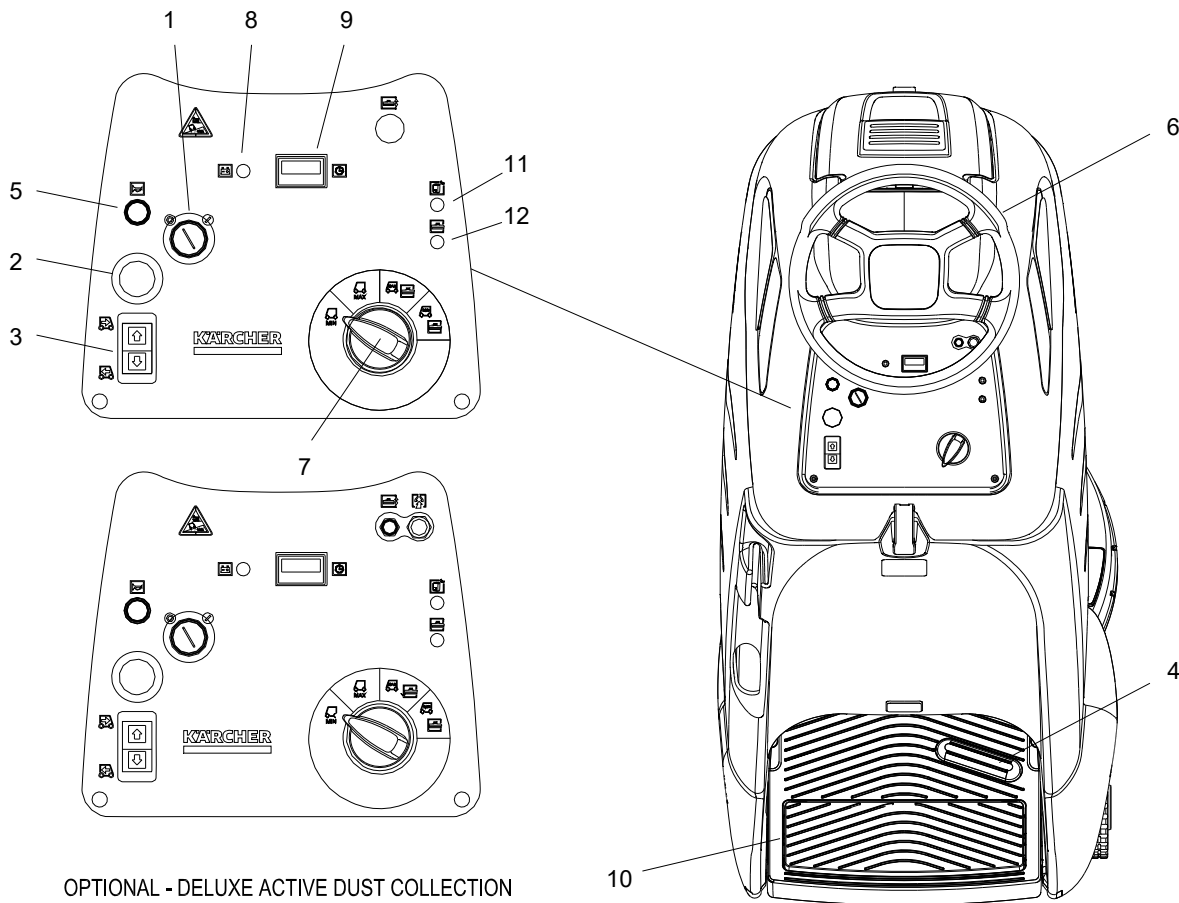


Components

- 1. Drive Control
- 2. Burnisher Controls
- 3. Control Console
- 4. Pedal Platform
- 5. Lower Body
- 6. Bag Enclosure
- 7. Bag Enclosure Cover
- 8. Burnisher Deck
- 9. Rear Cover

Operation

Drive Controls



1. Key Switch
2. Emergency Stop/Brake Switch
3. Directional Control / Drive Reset Switch
4. Throttle Pedal
5. Horn Button
6. Steering Wheel
7. Speed Control/Function Select
8. Battery Discharge Indicator
9. Hour Meter
10. Operator Presence Switch
11. Bag Present indicator
12. Check Pad Indicator

1. KEY SWITCH

Controls the power for machine functions.

To turn the machine power on, rotate key clockwise.

To turn the machine off, rotate key counterclockwise.

When the key is turned on the battery symbol will flash once and stay on continuously.

2. EMERGENCY STOP/BRAKE SWITCH

This safety feature is designed to cut all power to the machine at any time and apply parking brake.

To shut the machine power off, push the Emergency Stop Switch, this will also engage the parking brake and cause the machine to stop immediately.

To reset the machine, rotate the switch clockwise.

3. DIRECTIONAL CONTROL / DRIVE RESET SWITCH

This safety feature is designed to ensure safe engagement of propel drive. Each time the machine power is turned on, or each time an operator steps on to the platform, the Drive Reset Switch must be pushed before machine will propel.

The switch controls the direction of travel of the vehicle. The lighted arrow on the switch indicates direction of travel.

To travel forward, press the top of the switch.

To travel in reverse, press the bottom of the switch.

Operation

4. THROTTLE PEDAL

Controls the speed of the vehicle within the speed control setting selected. Pressing the pedal causes the machine to travel in the direction selected by the Directional Control Switch.

To increase speed, increase pressure on the pedal.

To decrease speed, decrease pressure on the pedal.

5. HORN BUTTON

The horn is activated by pressing the horn button.

6. STEERING WHEEL

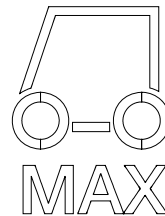
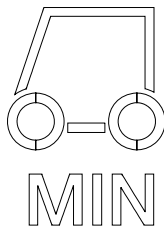
The steering wheel turns the front wheel causing the machine to change direction.

7. SPEED CONTROL

Controls the maximum speed of the machine. There are two settings, slow and fast.

To change speed, rotate the dial to either slow or fast position. The slow position is to the left (counterclockwise), fast to the right (top position).

The throttle pedal will always regulate the speed between 0 and maximum



8. BATTERY DISCHARGE INDICATOR

Indicates the charge level of the batteries.

The indicator will be illuminated if the batteries have a sufficient charge. A slow, continuous flash indicates the batteries require charging.

The Battery Lockout function will activate when the batteries are low.

Once active, the LED status indicator will begin to flash slowly and the controller will inhibit the burnisher motor.

The vacuum and drive remain functional. Return the unit to the charging station and charge the batteries.

NOTES: Continuing usage may damage the batteries.

When the machine is left overnight with less than a full charge, the display may initially indicate a full charge. It will also indicate a full charge if the batteries are disconnected, then reconnected. After a few minutes of operation the indicator will give the correct charge level.

9. HOUR METER

Records the number of hours the machine has been in burnishing operation. This information is useful in determining when to service the machine.

10. OPERATOR PRESENCE SWITCH

Must be pressed down prior to any machine functions enabled.

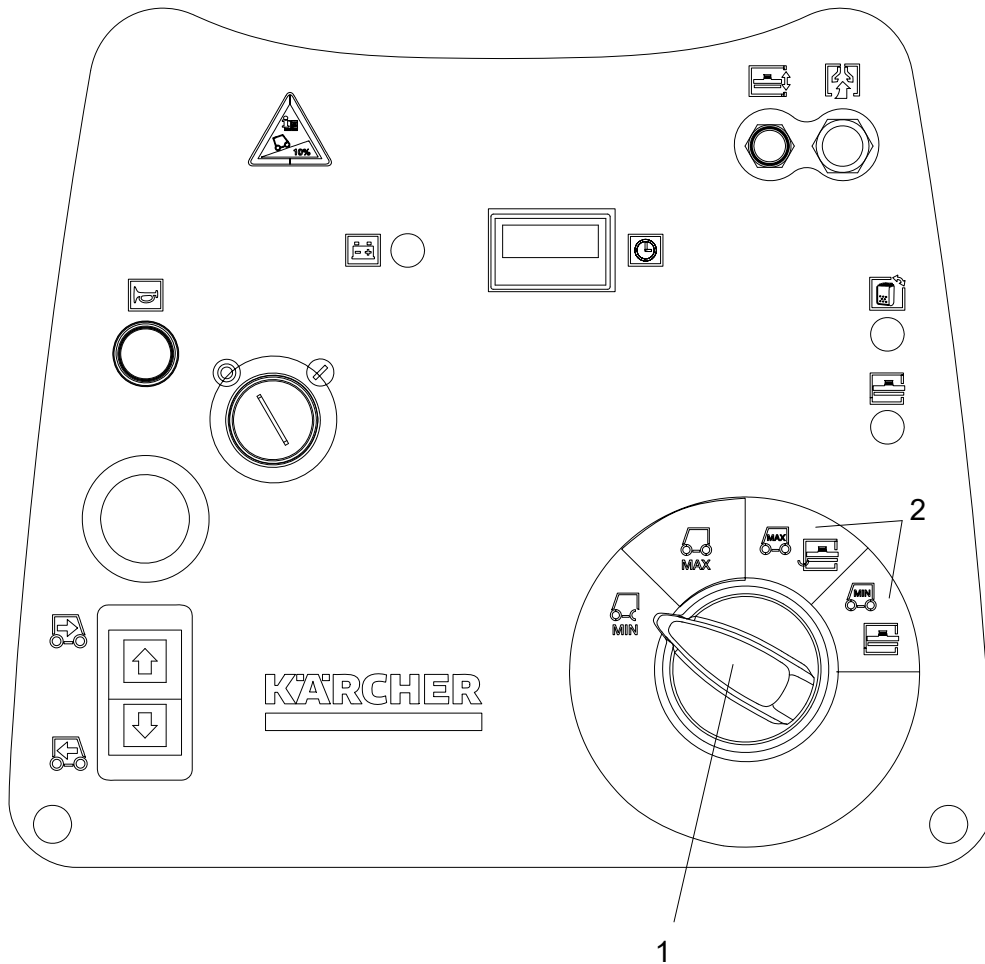
11. BAG PRESENT INDICATOR

Notifies operator if dust collection bag is missing. LED is red when bag is missing or not properly installed.

12. CHECK PAD INDICATOR

Notifies operator of potential problem with pad or missing pad. When LED is red, operator should remove pad driver and verify pad condition and proper installation.

Function Mode Switch



1. Function Mode Switch

The first two positions are for transport only. See drive controls section.

2. Burnishing - Light and Deep



Light burnishing

This mode is used for light burnishing. In this mode the machine will propel at fast speed. The 'floating' burnisher deck is in the down position. When equipped with optional active dust collection, vacuum motor will be on.



Deep burnishing

This mode is used for deep burnishing. In this mode the machine will propel at slow speed. The 'floating' burnisher deck is in the down position. When equipped with optional active dust collection, vacuum motor will be on.

Machine Operation

Pre-Run Machine Inspection

Do a pre-run inspection to find possible problems that could cause poor performance or lost time from breakdown. Follow the same procedure each time to avoid missing steps.

NOTE: See maintenance section for pre-run machine inspection checklist items.

Starting Machine

NOTE: Perform pre-run machine check before operating machine.

FOR SAFETY: Before starting machine, make sure that all safety devices are in place and operating properly.

2. Disconnect or unplug battery charger.
3. Close the cover(s).
4. Verify condition of burnishing pad, replace if necessary.
5. Verify removable pad driver is installed correctly and pad rotation lock is released.
6. The operator should be on the pedal platform. The throttle pedal must be in the neutral position.
7. Turn the machine power on by turning key switch clockwise to the "ON" position.
8. Verify dust collection bag is installed.
9. Press the Drive Reset Directional Control Switch to reset and set the intended direction for travel.
10. Press lightly on the throttle pedal with right foot

Emergency Stop Procedure

Push in emergency stop button. This will also engage the parking brake and cause the machine to stop immediately.

Operating the Machine

When operating the machine around people, pay close attention for unexpected movement. Use extra caution around children.

1. Stand on the operator platform. Throttle pedal must be in neutral position.
2. Turn machine power on.
3. Select transport speed from Function Mode Switch.
4. Press the Drive Reset/Directional Control Switch, selecting the desired travel direction.
5. Select Light burnishing or Deep burnishing from the Function Mode Switch. Deck will Lower.
6. The pad motor will only run when the burnishing head is lowered to within 2 inches of the floor.
7. Occasionally verify "check pad" indicator light is "green". If not, stop machine, remove pad driver and check pad. Replace or flip as needed.

NOTE: To prevent possible damage to the floor surface, always keep the machine moving while the pad is spinning.

8. When the head is down and the machine is propelled, the pad motor runs.

When the battery light flashes it indicates discharged batteries, stop operation and charge batteries.

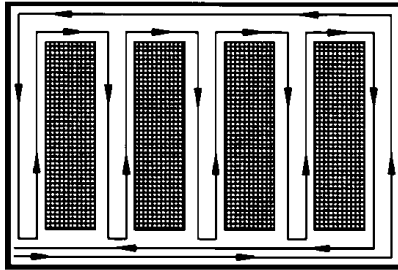
Operation

Normal Burnishing

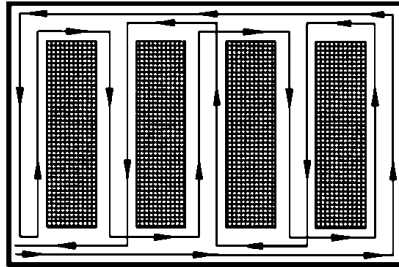
Plan the burnishing pattern in advance. The longest track is around the perimeter of the area to be burnished. For efficient operation, the runs should be the longest possible without turning, stopping, or raising or lowering the burnisher head.

In order to achieve the best possible results, the area which is to be burnished should be swept and auto scrubbed before burnishing.

INEFFICIENT BURNISHING PATH

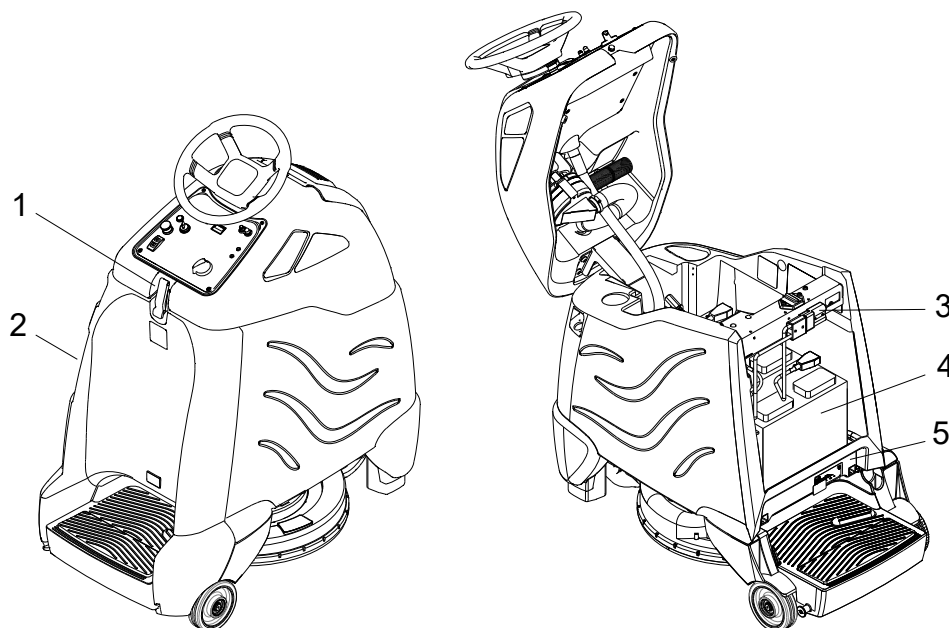


RECOMMENDED BURNISHING PATH



Service Schedule

MAINTENANCE	BEFORE EACH WORK PERIOD	AFTER EACH WORK PERIOD	50 HRS	100 HRS	200 HRS
Check water level of batteries after charging; add distilled water if necessary. (Wet cell only)	*				
Visually check for damaged or worn tires.	*				
Check brush or pad for proper installation.	*				
Check vacuum hose connections.	*				
Check pedal, brake and steering for proper operation.	*				
Check dust bag.		*			
Charge batteries if needed.		*			
Clean off top of batteries.			*		
Check battery cells with hydrometer. (Wet cell only)			*		
Inspect deck skirt.			*		
Check battery connections are tight.			*		
Clean battery cases and battery compartment.				*	
Check parking brake.					*
Clean pivot points on burnishing head.					*
Check all motors for carbon brush wear.					*
Check steering chain tension.					*
Check drive chain tension.					*



- 1. Cover Retainer Latch
- 2. Rear Cover
- 3. Battery Connector-Machine
- 4. Batteries
- 5. Battery Tray

Batteries (Wet Cell)

The batteries provide the power to operate the machine. The batteries require regular maintenance to keep them operating at peak efficiency.

The machine batteries will hold their charge for long periods of time, but they can only be charged a certain number of times. To get the greatest life from the batteries, charge them when their charge level reaches 25% of a full charge. Use a hydrometer to check the charge level.

Do not allow the batteries to remain in a discharged condition for any length of time. Never expose a discharged battery to temperatures below freezing. Discharged batteries will freeze causing cracked cases. Do not operate the machine if the batteries are in poor condition or if they have a charge level below 25% (specific gravity below 1.155).

Keep all metallic objects off the top of the batteries, as they may cause a short circuit. Replace worn or damaged cables and terminals.

Check the electrolyte level in each battery cell before and after charging the batteries. Never add acid to the batteries, use distilled water. Do not allow water level to fall below the battery plates. Portions of plates exposed to air will be destroyed. Do not overfill. Keep plugs firmly in place at all times.

⚠ WARNING:

Not all batteries require maintenance. AGM batteries are maintenance free. Do not attempt to remove sealed caps from AGM batteries. Warranty is void if caps are removed from AGM battery.

⚠ AVERTISSEMENT:

L'entretien n'est pas nécessaire pour toutes les batteries. Les batteries AGM ne nécessitent pas d'entretien. N'essayez pas d'enlever les bouchons scellés des batteries AGM. La garantie est annulée si les bouchons sont retirés des batteries AGM.

⚠ CAUTION:

When servicing machine, avoid contact with battery acid.

⚠ ATTENTION:

Lors de l'entretien de la machine, évitez tout contact avec l'acide de batterie.

⚠ WARNING:

Batteries emit hydrogen gas. Explosion or fire can result. Keep sparks and open flame away. Keep covers open when charging.

⚠ AVERTISSEMENT:

Les batteries émettent du gaz hydrogène. Une explosion ou un incendie peut en résulter. Maintenez les étincelles et les flammes nues à l'écart. Gardez les carters ouverts lors du chargement.

⚠ WARNING:

Wear eye protection and protective clothing when working with batteries.

⚠ AVERTISSEMENT:

Portez des lunettes de protection et des vêtements de protection lorsque vous travaillez avec des batteries.

⚠ WARNING:

Charge batteries in a well ventilated area.

⚠ AVERTISSEMENT:

Chargez les batteries dans un endroit bien ventilé

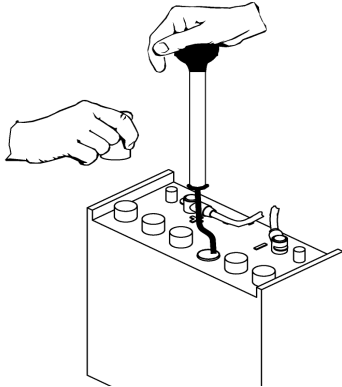
Battery Maintenance

1. When cleaning the batteries, use a solution of baking soda and water. Do not allow the cleaning fluid to enter the battery cells, electrolyte will be neutralized.
2. Maintain the proper electrolyte level in each battery cell. If a cell should accidentally overflow, clean immediately.
3. Wipe off the top of the batteries at least once a week.
4. Test battery condition with a hydrometer at least once a week.
5. Ensure that all connections are tight and all corrosion removed.
6. Every 4 to 6 months, remove the batteries from the machine and clean the battery cases and battery compartment.

Maintenance

Checking Battery Specific Gravity

Use a hydrometer to check the battery specific gravity.



CHECKING GRAVITY

- a. Hydrometer Battery
- b. Battery

NOTE: Do not take readings immediately after adding distilled water, if the water and acid are not thoroughly mixed, the reading may not be accurate.

Check the hydrometer readings against this chart.

SPECIFIC GRAVITY @ 80°F (27°C)	BATTERY CONDITION
1.265	100% CHARGED
1.225	75% CHARGED
1.190	50% CHARGED
1.155	25% CHARGED
1.120	DISCHARGED

NOTE: If the readings are taken when the battery electrolyte is any temperature other than 80°F (27°C), the reading must be temperature corrected.

To find the corrected specific gravity reading when the temperature of the battery electrolyte is other than 80°F (27°C): Add (+) to the specific gravity reading 0.004 (4 points), for each 10°F (6°C) above 80° (27°C). Subtract (-) from the specific reading 0.004 (4 points), for each 10°F (6°C) below 80°F (27°C).

Charging Batteries

⚠ CAUTION:

When servicing machine, avoid contact with battery acid.

⚠ ATTENTION:

Lors de l'entretien de la machine, évitez tout contact avec l'acide de batterie.

⚠ WARNING:

Batteries emit hydrogen gas. Explosion or fire can result. Keep sparks and open flame away. Keep covers open when charging.

⚠ AVERTISSEMENT:

Les batteries émettent du gaz hydrogène. Une explosion ou un incendie peut en résulter. Maintenez les étincelles et les flammes nues à l'écart. Gardez les carters ouverts lors du chargement.

⚠ WARNING:

Wear eye protection and protective clothing when working with batteries.

⚠ AVERTISSEMENT:

Portez des lunettes de protection et des vêtements de protection lorsque vous travaillez avec des batteries.

⚠ WARNING:

Charge batteries in a well ventilated area.

⚠ AVERTISSEMENT:

Chargez les batteries dans un endroit bien ventilé

Use a 36 volt, 20 amp maximum output DC charger which will automatically shut off when the batteries are fully charged.

1. Stop the machine in a clean, well ventilated area next to the charger.
2. Turn "OFF" machine.

FOR SAFETY: Before leaving or servicing machine; stop on level surface, turn off machine and remove key.

3. Remove rear cover, unplug batteries from machine.

⚠ WARNING:

Batteries emit hydrogen gas. Explosion or fire can result. Keep sparks and open flame away. Keep covers open when charging.

⚠ AVERTISSEMENT:

Les batteries émettent du gaz hydrogène. Une explosion ou un incendie peut en résulter. Maintenez les étincelles et les flammes nues à l'écart. Gardez les carters ouverts lors du chargement.

4. Check the electrolyte level in each battery cell. Before charging, add just enough distilled water to cover the plates. After charging is complete, add just enough distilled water to bring up the level to the indicator ring. If the water level is too high before charging, normal expansion rate of the electrolyte may cause an overflow resulting in a loss of battery acid balance and damage the machine.

Maintenance

5. Replace the battery caps, and leave them in place while charging.
6. Unplug the battery connector from the machine.

FOR SAFETY: When charging, connect the charger to the batteries before connecting the charger to the AC wall outlet. Never connect the charger to the AC wall outlet first. Hazardous sparks may result.

7. Plug the charger connector into the battery connector. Connect the charger AC plug to a wall outlet. The charger gauge should indicate that the batteries are charging.
8. When the batteries are fully charged, disconnect the charger from the AC wall outlet, then disconnect the charger from the batteries.
9. Connect the batteries to the machine connector.
10. Check the electrolyte level. It should be up to the indicator ring. If necessary, add distilled water.
11. Install the rear cover.

Changing Batteries

Stop the machine in a clean area next to the charger. Turn off machine.

FOR SAFETY: Before leaving or servicing the machine; stop on level surface, turn off machine and remove key.

1. Open the console cover.
2. Remove rear cover.
3. Disconnect battery pack from machine.

Use the proper size open end wrench to disconnect main ground wire first and secure cable terminal away from batteries.

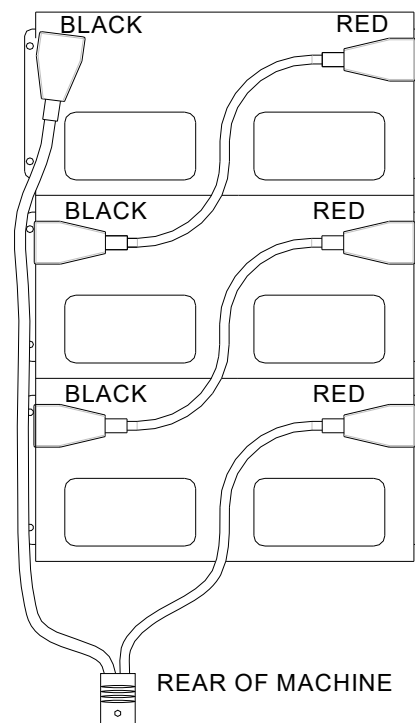
4. Disconnect main positive lead and secure cable terminals away from batteries.
5. Loosen both terminals on each jumper cable and remove one at a time.
6. Prepare a suitable site to place the batteries.

⚠ WARNING:

Attach suitable battery lifting device and lift batteries from the machine. Batteries are a potential environmental hazard. Consult your battery supplier for safe disposal methods.

⚠ AVERTISSEMENT:

Fixez le dispositif de levage de batterie approprié et levez les batteries de la machine. Les batteries constituent un danger potentiel pour l'environnement. Consultez le fournisseur de votre batterie pour connaître les méthodes d'élimination sûres.



NOTE: Red (+) and Black (-) installed opposite for 225 AH (J185) battery configuration.

Battery Charger Programming

NOTE: For machines equipped with optional on-board charger. When replacing batteries, charger programming changes may be required. If replacing batteries with same type, (e.g. maintenance free batteries with maintenance free) no programming is required. When batteries with different type (e.g. maintenance free with wet cell), programming changes are required. Failure to make programming changes may lead to reduced battery life.

Programming Instructions

The charger is pre-loaded with the charge algorithms shown below:

AlgID	Description
1	Trojan J185H
5	Trojan 30XHS
42	Discover AGM EV31A-A
43	Discover AGM EV185A-A

Check Default Charge Algorithm

Enter Algorithm Display Mode:

1. Disconnect AC Power.
2. Remove positive lead from battery pack.
3. Apply AC power and the charger will display the algorithm number after the Power On Self Test:
 - a. All algorithms will display as a series of flashes of the 80% LED.
 - b. Algorithms #1 - 6 will also be indicated by the Ammeter LEDs (see Users Guide).

Examples:

☼☼☼☼ = Algorithm #3

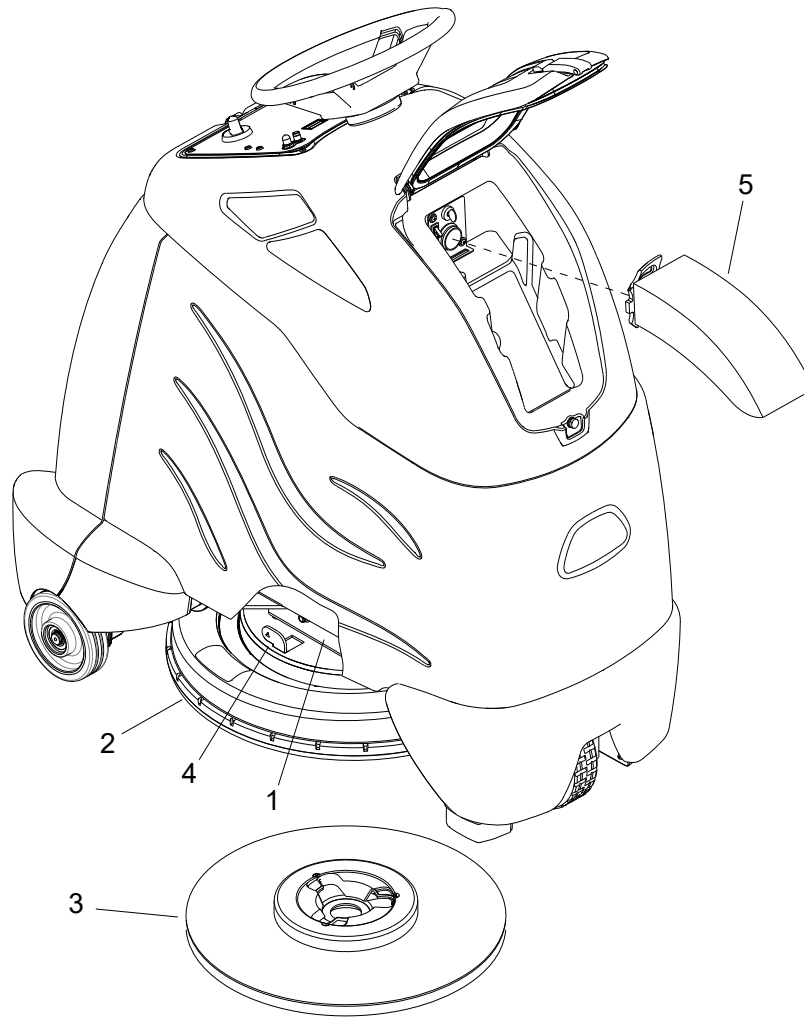
☼☼☼ , Short Pause, ☼ = Algorithm #21

4. Algorithm number display repeats for 11 seconds, then Algorithm Display Mode ends.
5. Remove AC Power and reconnect positive lead.

Check Default Charge Algorithm

1. Enter Algorithm Display Mode (as above).
2. While Algorithm Number is displayed (for 11 seconds), touch positive lead to the battery pack positive terminal for 3.0 seconds (± 0.5s).
3. Remove lead from battery pack. Algorithm Number will increment.
4. To increment the Algorithm Number again, repeat Steps 2 and 3 within 30 seconds.
5. Touch positive lead to positive terminal and hold until relay clicks (>10 seconds). The new default algorithm is now stored.
6. Remove AC power and check default algorithm.

Contact your original equipment manufacturer if your battery pack is not supported by the charge algorithms loaded in your charger.



Burnishing Deck

- 1. Burnisher Motor
- 2. Skirt
- 3. Pad Driver/Pad
- 4. Pad Rotation Lock Lever

Dust Collection

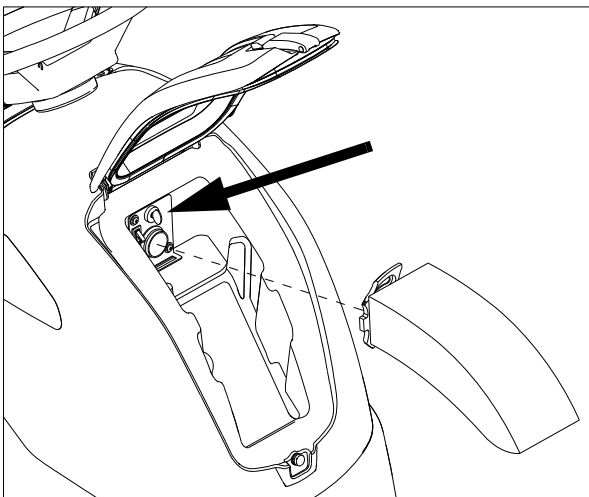
- 5. Dust Bag

Burnishing Pad

Many types of pads are available for floor burnishing. Select a pad type based on floor type and floor finish for best results.

Dust Bag Replacement

1. Release latch and raise cover to access dust bag.
2. Turn thumb screw to horizontal position to release dust bag.
3. Remove dust bag at the plastic frame from the bag mounting bracket.
4. Reverse procedure to install new bag.



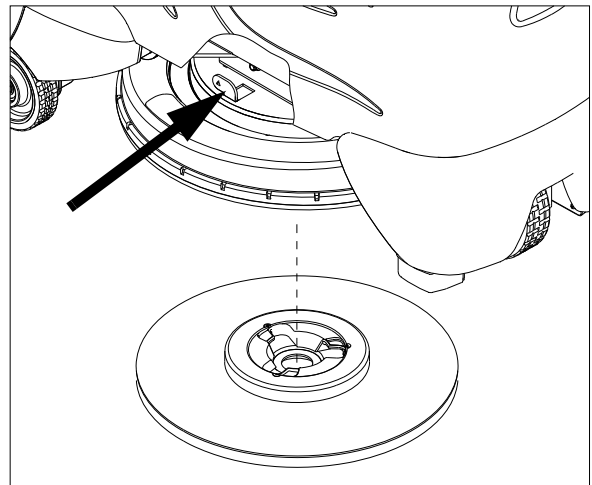
Dust Control Skirt Replacement

1. Raise burnisher deck with Function Mode Switch set to transport mode.
2. Find ends of brush skirt. Pull down on one end to release from shroud snap features. Once released from two snaps, gently pull skirt parallel to the floor to fully remove from shroud.
3. Install new skirt by pushing up into snaps one at a time working around shroud diameter.
4. Where the ends meet, trim any excess skirt with scissors or wire cutter.

Pad Replacement

1. Set the burnisher deck to the raised position.
2. To remove the pad driver:
 - Push in and hold the Pad Rotation Lock lever.
 - Grip the outside diameter of the pad and pad driver.

- Rotate firmly counterclockwise. Pad driver will disconnect from motor hub.
- Release Pad Rotation Lock lever.



3. To remove pad from pad driver:
 - Set pad driver on flat surface with pad facing up.
 - Release pad retainer from center of pad using retainer's wire clip.
 - Peel pad off pad driver.
4. To install pad on pad driver:
 - Center the pad on pad driver with pad facing up.
 - Check the pad inner diameter where the pad fits over the raised ring of the pad retainer.
 - Install pad retainer making sure wire clips snap in place. Pad will need to compress to engage pad retainer clips
5. To install the pad driver:
 - Push in and hold the Pad Rotation Lock lever.
 - Hold the pad driver parallel to the floor under the shroud.
 - Lift pad driver up to contact hub keeping level and centered with motor shaft.
 - Rotate pad driver clockwise applying light pressure up on the hub. Pad driver will align with hub and move up.
 - Continue rotating clockwise approximately 15 degrees to fully engage hub.
 - Release Pad Rotation Lock lever.

NOTE: Final tensioning of the pad driver occurs as the motor rotates during burnishing.

Burnisher Motor Replacement

1. Remove the pad driver assembly.
2. Lower the burnisher deck using the Function Mode Switch.
3. Turn the key to the off position.
4. Unplug the battery pack from the machine.
5. Disconnect the positive and negative wires from the posts at the front of the motor. Note the positions for reassembly. Isolate the ends of the wires as batteries will be connected in step 6.
6. Unhook deck lift springs, one per side. Prevent bracket from retracting inside body of machine by using holes and temporary cross pin.
7. Remove the hardware (4X) connecting the linkage to the motor mount. Note the stack arrangement of the hardware for reassembly.
8. Plug in the battery pack. Turn on the key. Turn the Function Mode Switch to transport to raise upper linkage.
9. Slide the deck assembly from under the machine.
10. Flip the deck assembly over.
11. Slide Pad Rotation Lock lever in and hold while removing bolt and washer from pad driver hub.
12. Release Pad Rotation Lock lever slide hub and key off motor shaft.
13. Remove bolts and washers (4X) holding inner shroud and plate. Remove motor from shrouds and motor mount.
14. Reverse process to reinstall.

Burnisher Motor Carbon Brush Ring Replacement

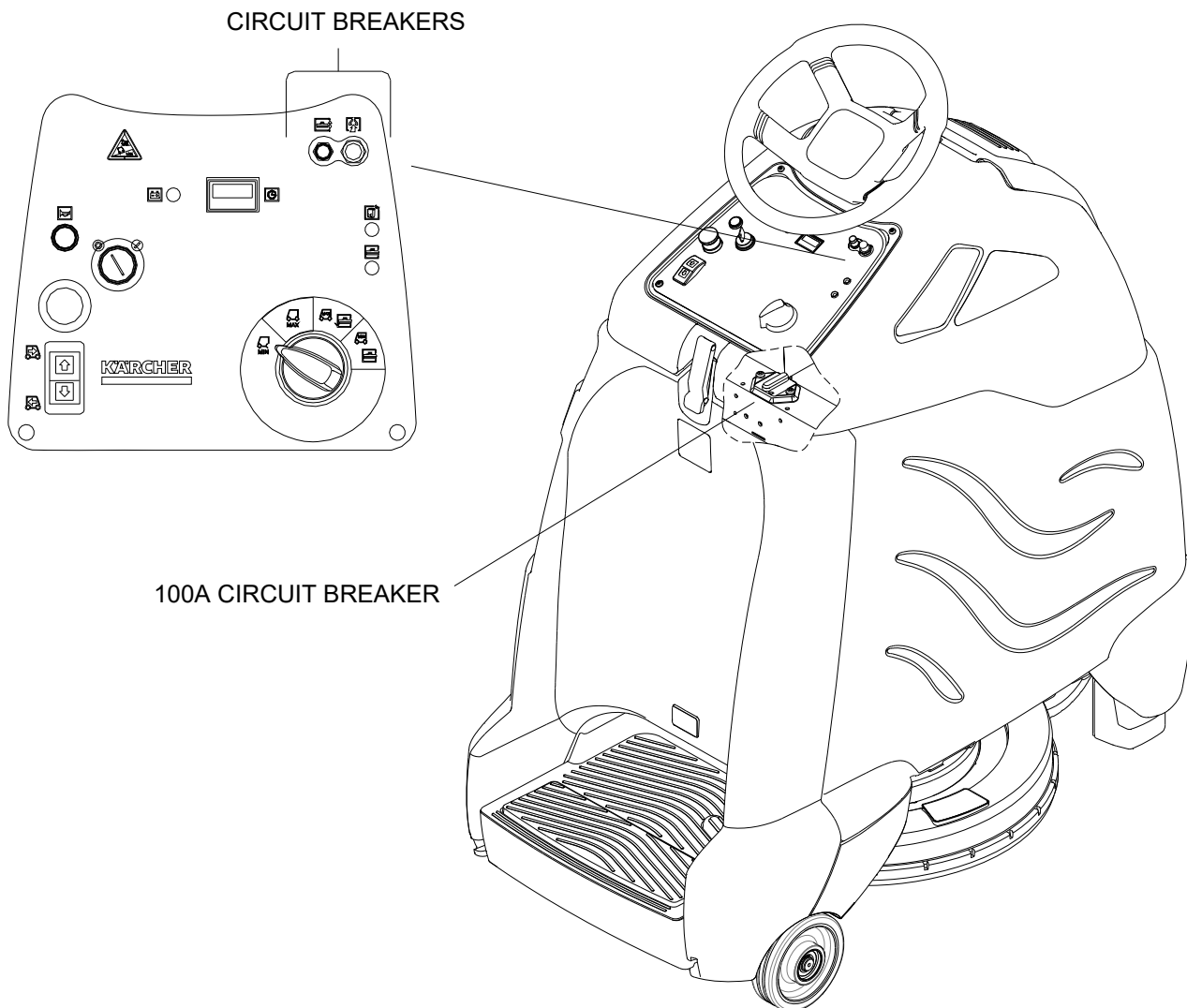
1. Follow steps 1-9 of "Burnisher Motor Replacement" to access the top of the motor.
2. Remove flat head screws (4X) in the motor cover. Remove the cover.
3. Remove hex head screws (4X) holding the brush ring assembly to the motor casting.
4. Slide the brush ring assembly off the motor commutator.
5. Clean excessive carbon deposits off motor components with compressed air.

6. Prepare new brush assembly for use by inserting individual brush springs into brush guides. Check each brush to ensure proper movement after installing springs.
7. Depress brushes as required to insert brush housing over commutator.
8. Check area under cable lugs to make sure brush ring is seated against casting fully.
9. Replace hex head screws (4X) holding the brush ring assembly.
10. Rotate motor to check for smooth rotation.
11. Replace motor cover and flat head screws (4X).
12. Reverse steps in step 1 to reinstall to machine.

Deck Actuator Removal / Replacement

FOR SAFETY: Before leaving or servicing machine, stop on a level surface. Turn off machine.

1. Support deck under pad driver so that actuator pins can be removed.
2. Remove bumper screws (2).
3. Remove front battery.
4. Pull steering shaft.
5. Disconnect actuator from wiring harness.
6. From the underside of the machine, remove lower lifting pin from actuator.
7. Remove clevis pin from actuator upper bracket.
8. Lift actuator upward and free from machine.
9. Reverse steps to install.



Circuit Breakers

Circuit breakers interrupt the flow of power in the event of an electrical overload. When a circuit breaker is tripped, reset it by pressing the exposed button. If a circuit breaker continues to trip, the cause of the electrical overload should be found and corrected.



1.5 Amp protects the deck lift actuator, horn & controller.



18 Amp protects the vacuum motor.

100 Amp protects the burnisher motor.

Body Assembly Removal

In order to access the frame or drive components, the entire tank/console cover assembly can be removed as a single unit.

Body Removal:

1. Open the console cover.
2. Remove back panel.
3. Grasp the lower end of the flexible steering shaft and pull it straight up until it is disengaged with the hex steering shaft.
4. Disconnect the five electrical plugs located just forward of the battery tray. Access plugs through front left hole in main body.
5. Remove the battery cable connection from the rear cross member.
6. Close the console cover.
7. Remove the bumper. One mounting bolt per side is located just above the tip pads on the inside.
8. Remove 6 bolts holding the body in place.
9. The body assembly can now be lifted off the chassis and set aside.
10. Reverse the process for reassembly.

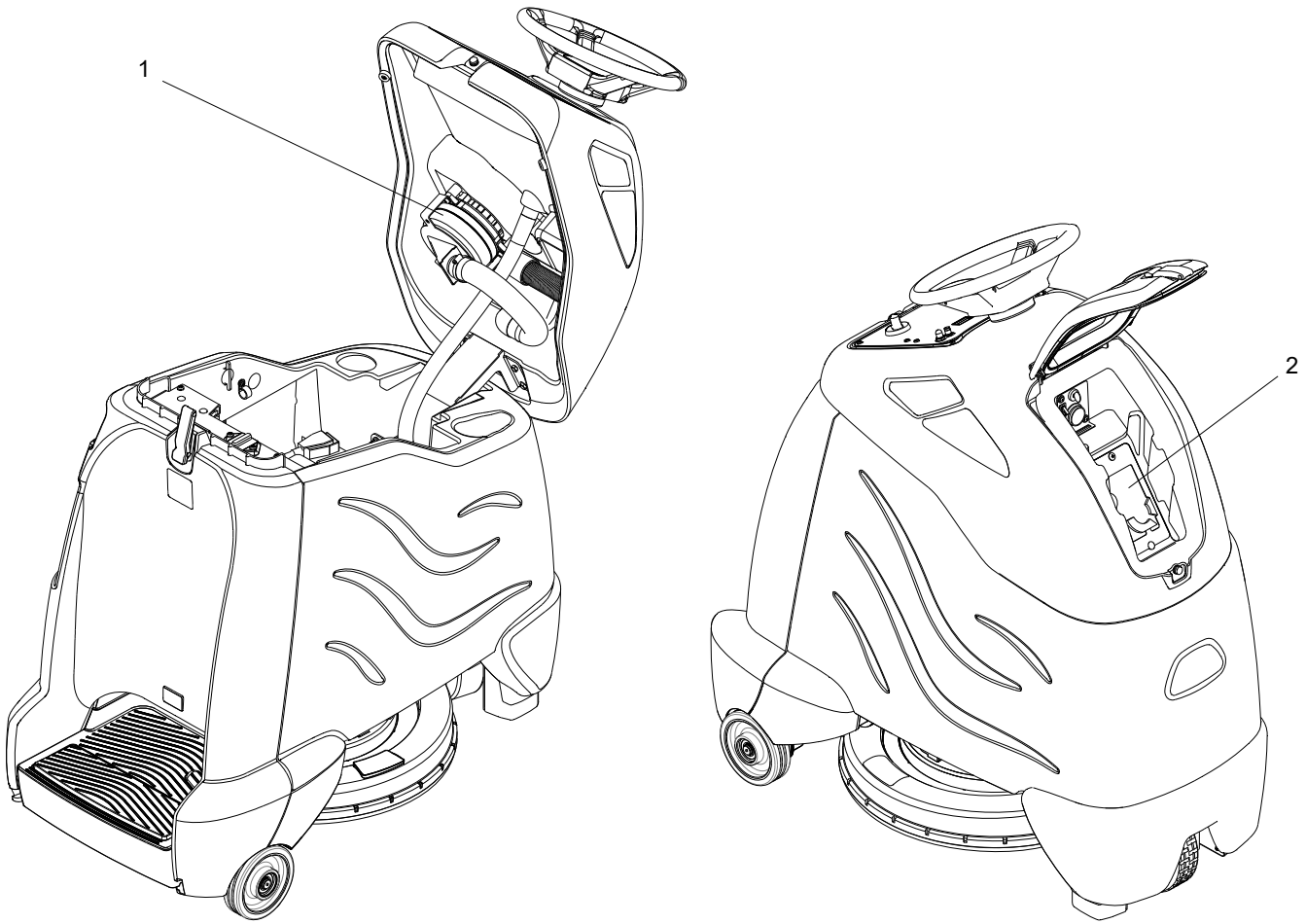
Drive Unit Removal

1. Remove tank assembly.
2. Pull the brake and drive electrical connectors off of their support plate.
3. Remove the P-clamp holding the cable.
4. Lift the chain cover plate off of the motor.
5. Support the chassis on the tip pads so that the front wheel is 10 inches off the floor.
6. Locate and remove two mounting nuts and remove the drive unit from below.
7. To reinstall, reverse the process.

NOTE: The small tab at the front of the drive unit frame should line-up with the notch in the mating plate.

Maintenance

Vacuum - Optional

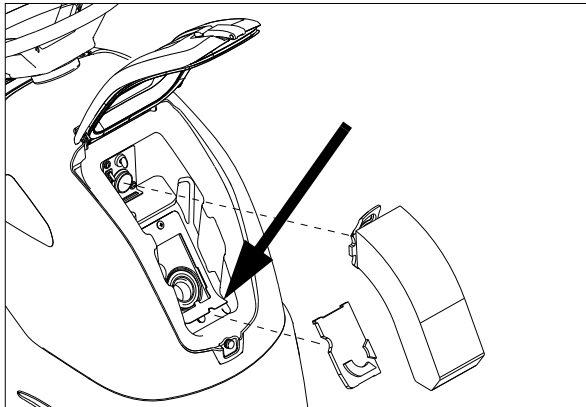


1. Vacuum Motor

2. Vacuum Filter

To Replace Vacuum Filter

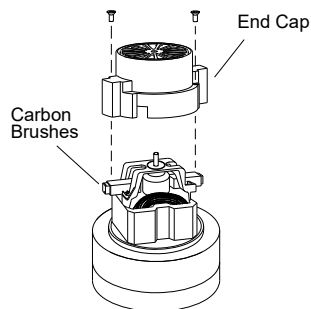
1. Open dust bag cover.
2. Remove dust bag.
3. Unlock bottom of filter frame by bending it slightly and slide from under the bolt head.
4. Lift filter out of housing.
5. Reverse steps to install.



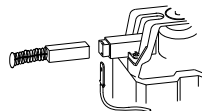
Vacuum Motor Carbon Brush Replacement

FOR SAFETY: before leaving or servicing machine, stop on a level surface, turn off machine and disconnect power.

Vacuum Motor Carbon Brushes

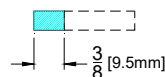


If armature commutator is grooved, extremely pitted or not concentric, the motor will need to be replaced or sent to a qualified service center.



Important:

These brushes wear quicker as the length shortens due to increased heat. Spring inside brush housing will damage motor if brushes are allowed to wear away completely.

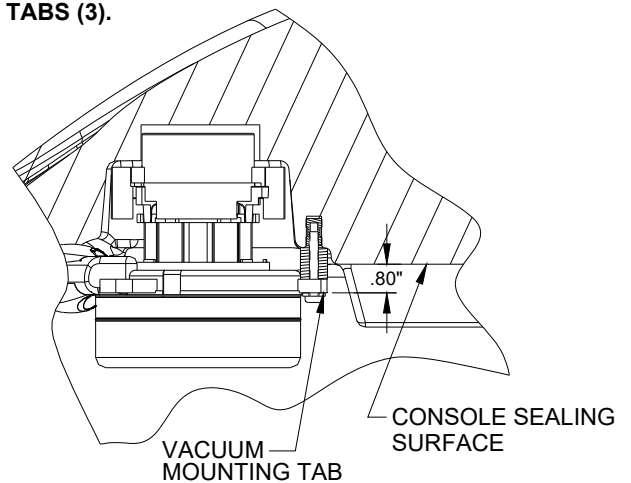


Periodically check the length of the carbon brushes. Replace both carbon brushes when either is less than 3/8" (9.5mm) long.

To Repair or Replace Vacuum Motor

1. Remove four (4) screws from top of control panel.
2. Tip control panel back from console to expose vacuum motor wires.
3. Disconnect electrical connector from the vacuum motor.
4. Replace control panel, attach with one (1) screw to secure in place.
5. Open console.
6. Remove three (3) screws and mounting bracket that secure vacuum motor.
7. Reverse steps to install.

MOUNT .80" FROM SEALING SURFACE OF CONSOLE TO THE TOP OF THE MOUNTING TABS (3).



NOTE: If vacuum motor is not mounted as shown, vacuum may not seal properly, resulting in poor performance.

Drive Motor

Drive Motor Carbon Brush Replacement

⚠ CAUTION:

Do not use a pressure washer to clean around the brush motors. Use tap pressure only.

⚠ ATTENTION:

N'utilisez pas de nettoyeur haute pression pour nettoyer autour des moteurs des brosses. Utilisez seulement la pression du robinet.

FOR SAFETY: Before leaving or servicing machine, stop on a level surface, turn off machine and remove motor carbon brushes.

1. Open the console cover.
2. Tilt the rear panel back until it stops on the lanyard.
3. Grasp the lower end of the flexible steering shaft and pull it straight up until it is disengaged with the hex steering shaft.
4. Remove the cover and gasket at the steering shaft area.
5. Grasp the drive wheel by reaching under the front bumper and turn it to near the left steering stop.
6. The drive motor carbon brushes are located under the metal band. Remove the band to access the 4 brushes.
7. Remove the phillips screw that holds each lead. Remove the brushes.
8. Install the new brushes and reinstall the band.
9. Replace the gasket and cover, set the drive wheel straight ahead, set the steering wheel straight ahead, and gently align the steering shaft coupling and slide onto the lower shaft.
10. Slowly close the cover and make sure the shaft slides without binding.

Drive Chain Tension

The drive chain should deflect about 1/4 inch on either side of the loop when the opposite side is tight.

To adjust chain tension:

1. Remove bumper.
2. Loosen the 1/4" nut behind the idler sprocket.
3. Tighten the front screw to increase chain tension.
4. Re-tighten the 1/4" nut behind the idler.
5. Reinstall the bumper.

Transporting Machine

This machine is equipped with a drive gear engagement/disengagement lever.

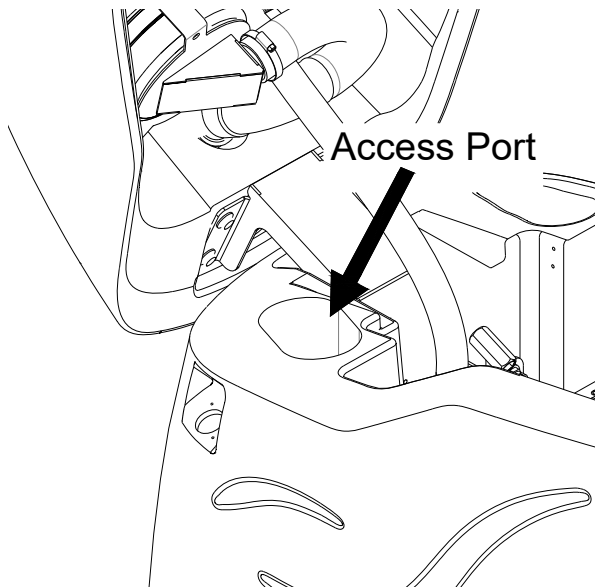
The brake automatically engages and keeps the machine from moving whenever the operator stops the machine.

The drive gear can be disengaged so the machine can be pushed or towed (slowly).

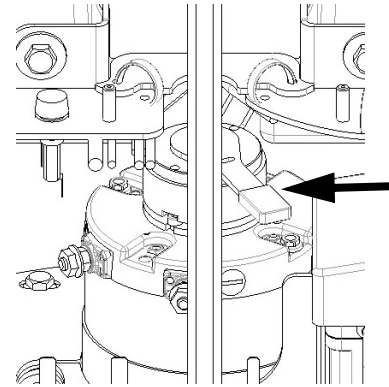
When the drive gear is disengaged the machine cannot be driven.

Brake Override

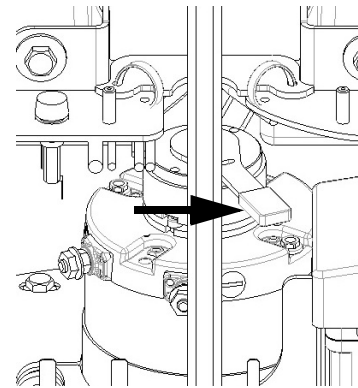
1. Disconnect battery to prevent injury.
2. Turn wheel slightly to the right.
3. Access to the Brake lever is through the access port on the front left side of the Lower Body.



4. Push the lever as indicated to disengage the brake.



5. Push the machine slowly. Take care as voltage is generated while pushing the machine and may cause the controller to temporarily stop the machine.



6. To re-engage the brake, push the lever as indicated.

Inclines

When navigating an incline the machine may come to a stop. Turn the machine off. Wait 5 minutes and start the machine and proceed up the incline.

⚠ CAUTION:

Overheating may occur if you do not wait the full 5 minutes.

⚠ ATTENTION:

Une surchauffe peut se produire si vous n'attendez pas les 5 minutes complètes.

Maintenance

Preparation for Loading/Unloading Trailer

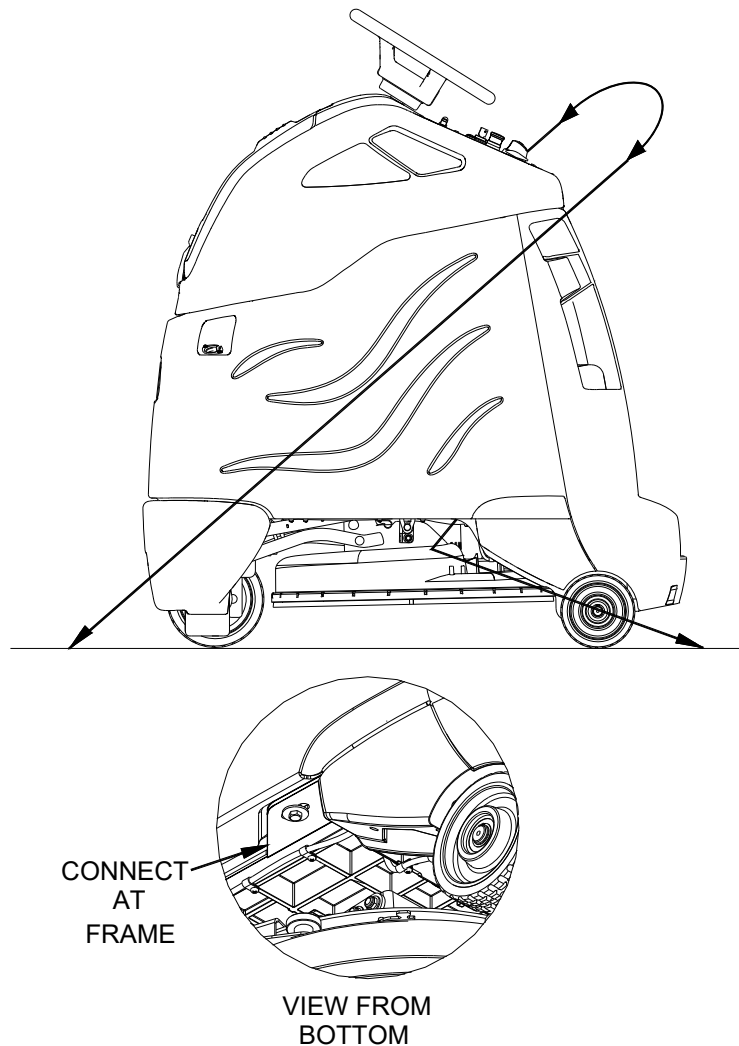
Burnisher Deck must be in the up position before loading.

When transporting the machine on a trailer or in a truck, in addition to using tie-downs, be sure to block the tires to prevent the machine from rolling.

Machine Tie-Downs

There are two tie points located in front of the rear wheels on the frame, and a Tie-down wrap point on the back panel. Tie-down devices must be of the proper type and strength. The combined strength of all tie-downs must be strong enough to lift two times the weight of the machine. Tie-downs must be positioned to prevent the machine from moving forward, backward, or either side to side. Use all four corners of the machine with the tie-downs running out opposite directions. Tie-downs must be attached to the transporting vehicle securely.

Recommended Tie-Down Points



Troubleshooting

PROBLEM	CAUSE	SOLUTION
No machine function	Console lid is open	Close console lid
No power to machine	Battery disconnected	Check all battery cable connections
	Emergency shut-off activated	Reset
	Battery cables corroded	Clean connections
	Faulty key switch	Replace switch
	Batteries not plugged in	Plug batteries in
	On Board charger plugged in	Un-plug and stow cord
Little or no propel	Low battery charge	Charge batteries
	Tripped circuit breaker	Reset controller circuit breaker
	Controller protecting motor from overload	Controller limits motor amperage. Allow unit to cool down for several minutes.
	Machine is stalled against an obstacle (threshold, curb, etc.)	Remove obstacle or push machine away from obstacle
	Controller overheated	Allow cool down period
	Loose motor connection	Check wires and connections from controller to motor
	Faulty throttle circuit or potentiometer	Check wires and connections from and potentiometer resistance
	Drive Lever disengaged	Engage drive
Machine does not change speeds	Faulty speed control circuit or switch	Check wires & connections
Forward speed only	Faulty forward/reverse circuit	Check wires & connections
Reverse speed only		
Battery indicator light flashing	Battery needs charged	Charge Battery
	Controller is indicating a fault code	See fault code table

Maintenance

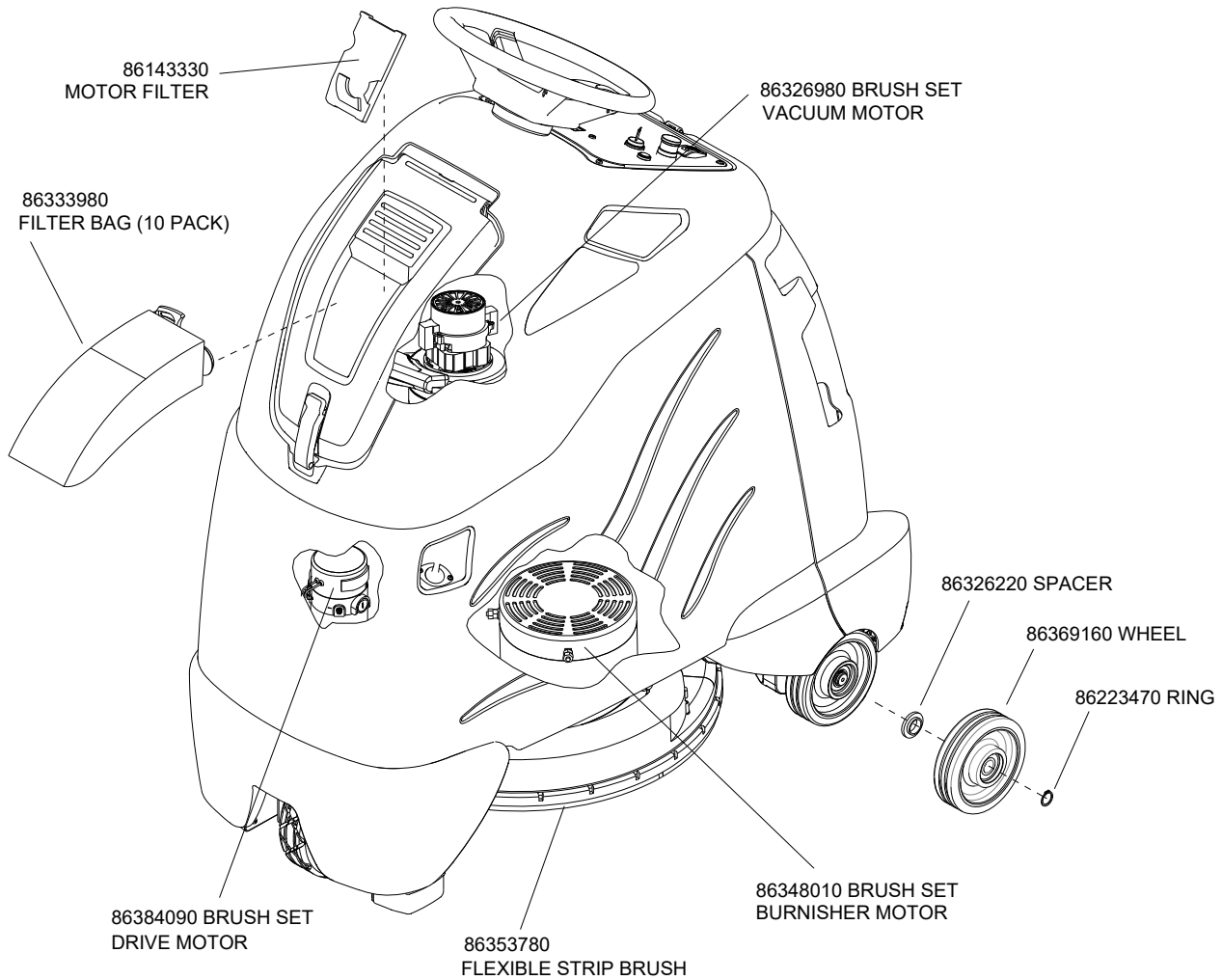
PROBLEM	CAUSE	SOLUTION
Vacuum motor does not run, or runs slowly	Faulty vacuum circuit or switch	Check wires & connections
	Worn vacuum motor brushes	Replace brushes, check commutator
	Vacuum circuit breaker tripped	Reset circuit breaker
Poor burnishing performance	Debris caught in pad	Remove debris or change pad
	Worn pad	Replace pad or flip pad
	Improper pad used	Contact equipment or application specialists
	Low battery charge	Charge batteries
Burnisher motor does not run, or runs slowly	Circuit breaker tripped	Reset circuit breaker
	Low battery charge	Charge battery
	Faulty brush circuit or motor	Check wires, connections and motor
	Worn brush motor brushes	Replace brushes, check commutator
Deck does not go down	Actuator circuit breaker tripped	Reset actuator circuit breaker

Battery Discharge Indicator Troubleshooting

The battery indicator flashes when a problem occurs. The table below list solutions for the indicated problems.

Number of flashes	Problem	Solution
1	The battery needs charging, there is a bad connection to the battery or dependent on the programming, may indicate that the battery lockout function is active and the controller is in a restricted mode of operation. Check the connections to the battery.	If the connections are good, try charging the battery.
2	There is a bad connection to the drive motor.	Check all connections between the motor and the controller.
3	The drive motor has a short circuit to a battery connection.	Contact your service agent.
4	The battery charge level has fallen below the battery Lockout Level and the controller is inhibiting burnisher motor function.	Charge the battery.
5	Not used.	-
6	The controller is being inhibited from driving, this may be because the battery charger is connected (on board charger only).	Disconnect battery charger.
7	A throttle fault is indicated.	Make sure that the throttle is in the rest position before switching on the machine.
8	A controller fault is indicated.	Make sure that all connections are secure.
9	The parking brake has a bad connection.	Check the parking brake and motor connections. Make sure the controller connections are secure.
10	An excessive voltage has been applied to the controller. This is usually caused by a poor battery connection.	Check the battery connections.
-	Blinks once every 5 seconds	Sleep mode, cycle key switch

Suggested Spare Parts



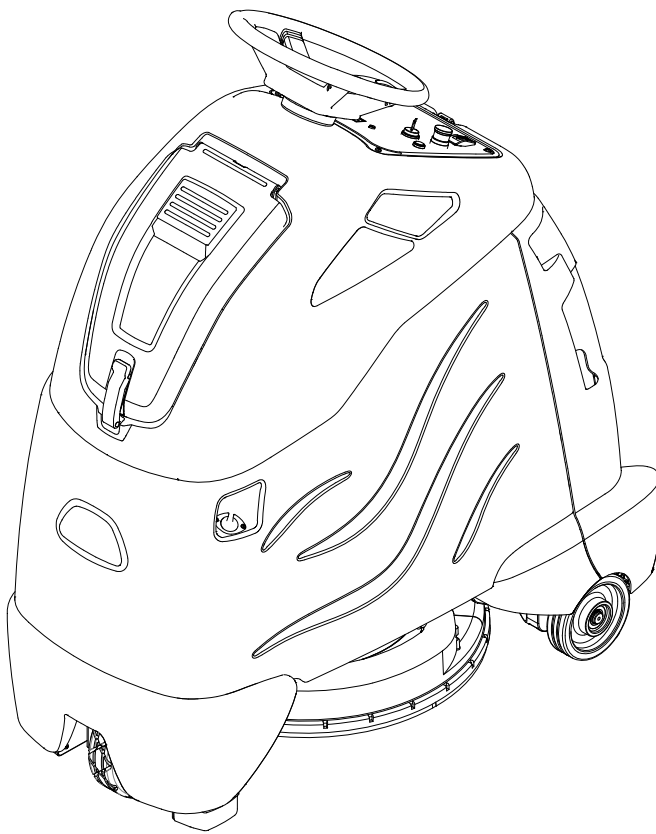
KÄRCHER

makes a difference

Chariot 2 iGloss 20

Español

02



**Registre
su producto**

www.kaercher.com/welcome



86446780-A 01/08/21

Etiqueta de Datos de la Máquina

Modelo: _____

Fecha de la compra: _____

Número de serie: _____

Distribuidor: _____

Dirección: _____

Nº de teléfono: _____

Representante de ventas: _____

Descripción

La bruñidora Chariot iGloss 20 es una máquina accionada por un conductor sentado, diseñada para el bruñido de pisos duros, propulsada por baterías, para uso comercial. Esta máquina suministra alto nivel de brillo a las superficies de pisos duros.

MODELS:

1.008-092.0
1.008-093.0
1.008-094.0
1.008-095.0
1.008-096.0
1.008-097.0
1.008-098.0
1.008-099.0
1.008-100.0
1.008-101.0

Registro de Garantía

Gracias por comprar un producto de Kärcher North America. El registro de la garantía es rápido y fácil. Su registro permitirá que le sirvamos mejor sobre el curso de la vida del producto. Para colocar su producto vaya:

<http://warranty.karcherna.com>

Para el servicio de atención al cliente llame al:
1-800-444-7654

KÄRCHER

Etiqueta de Datos de la Máquina	2
Índice	3
Cómo utilizar el manual.....	4

Seguridad

INSTRUCCIONES DE SEGURIDAD IMPORTANTES	5
NIVEL DE INTENSIDAD DE RIESGO	6
UBICACIONES DE ETIQUETAS DE SEGURIDAD .	7

Funcionamiento

Especificaciones Técnicas	8
Cómo Funciona Esta Máquina	10
Componentes	11
Inspección Previa al Funcionamiento de la Máquina .	18
Puesta en Marcha de la Máquina	18
Procedimiento de Parada de Emergencia	18
Funcionamiento de la Máquina.....	19
Bruído normal	19

Mantenimiento

Programación del Mantenimiento	20
Baterías (celda húmeda).....	22
Mantenimiento de las baterías	22
Comprobar la Gravedad Específica de las Baterías . .	23
Cargar las Baterías	23
Cambiar las Baterías	24
Programación del cargador de baterías	25
Plataforma de Bruído	26
Almohadilla de Bruído	27
Reemplazo de los anillos de las escobillas de carbón de los motores de la bruñidora	28
Reemplazo/Retiro del accionador de la plataforma	28
Retiro del montaje del cuerpo	30
Retiro de la unidad de propulsión	30
Aspiradora - Opcional	31
Para reemplazar el filtro de aspiración	32
Motor de accionamiento	34
Sustitución de las escobillas de carbón del motor de propulsión	34
Tensión de la cadena de propulsión	34
Pendientes	35
Amarres de la máquina	36
Resolución de problemas	37
Sugerido De Piezas Sueltas	40

Cómo utilizar el manual.

El manual contiene las siguientes secciones:

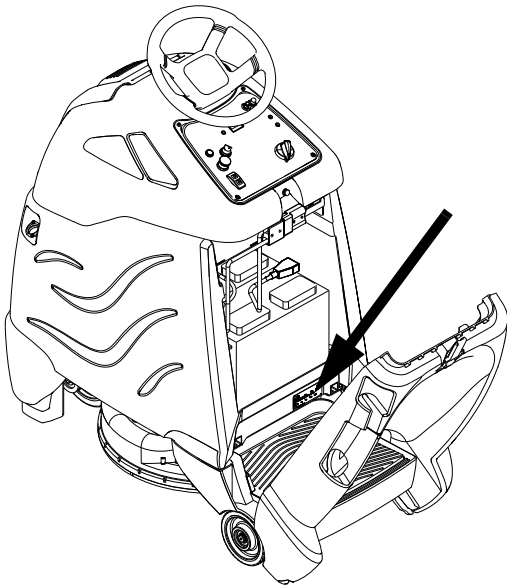
- CÓMO UTILIZAR EL MANUAL
- SEGURIDAD
- FUNCIONAMIENTO
- MANTENIMIENTO
- SUGERIDO DE PIEZAS SUELTAS

La sección CÓMO UTILIZAR EL MANUAL le indica el modo de encontrar información importante para pedir las piezas de recambio correctas.

Las piezas deben ser solicitadas a distribuidores autorizados de Karcher. Al realizar el pedido de piezas, es importante saber el modelo y el número de serie de la máquina. Consulte el cuadro DATOS DE LA MÁQUINA que se completa durante la instalación de la máquina. El cuadro DATOS DE LA MÁQUINA está situado en la parte interior de la cubierta frontal de este manual.

Modelo:	_____
Fecha de la compra:	_____
Número de serie:	_____
Distribuidor:	_____
Dirección:	_____
Nº de teléfono:	_____
Representante de ventas:	_____

El modelo y el número de serie de su máquina están situados debajo del compartimiento de las baterías de la máquina.



La sección SEGURIDAD contiene información importante acerca de los usos de la máquina que pueden resultar peligrosos o poco seguros. Se identifican los niveles de riesgo que podrían

derivar en lesiones personales o daños al producto, o en lesiones graves que den como resultado la muerte.

El objetivo de la sección FUNCIONAMIENTO es familiarizar al operario con el manejo y el funcionamiento de la máquina.

La sección MANTENIMIENTO incluye instrucciones sobre mantenimiento preventivo para mantener la máquina y sus componentes en buenas condiciones de funcionamiento. Están clasificadas en el siguiente orden general:

- Baterías
- Plataforma de cepillado
- Protección de los circuitos
- Motor de accionamiento y freno
- Programación del mantenimiento
- Motor de aspiración
- Resolución de problemas

NOTA: Si en la máquina se incluye un juego de servicio u opciones, asegúrese de conservar las INSTRUCCIONES DEL JUEGO que acompañan al mismo. Éste contiene los números de piezas de recambio necesarias para solicitar piezas en el futuro.

El número situado en la esquina inferior derecha de la tapa, es el número de pieza correspondiente a este manual.

INSTRUCCIONES DE SEGURIDAD IMPORTANTES

Al usar un aparato eléctrico, siempre deben seguirse unas precauciones básicas, entre las que se incluye:

LEA TODAS LAS INSTRUCCIONES ANTES DE UTILIZAR LA MÁQUINA.

⚠ ADVERTENCIA: Para reducir el riesgo de incendio, descargas eléctricas y lesiones:

Utilice sólo en interiores. No utilice en el exterior ni exponga a la lluvia.

Utilícelo sólo del modo descrito en este manual. Use sólo los componentes y accesorios recomendados por el fabricante.

Si la máquina no funciona adecuadamente, se ha caído, ha sufrido daños, fue olvidada en el exterior, o ha caído al agua, llévela a un servicio técnico autorizado.

No haga funcionar la máquina con ninguna de sus aberturas bloqueadas. Mantenga las aberturas limpias de residuos que puedan reducir el caudal de aire.

La máquina no es adecuada para aspirar residuos peligrosos.

No maneje la máquina cerca de fluidos, polvo o vapores inflamables.

Personal debidamente capacitado debe realizar el mantenimiento y las reparaciones.

Desconecte la batería antes de limpiarla o repararla.

Antes de deshacerse de la máquina, las baterías deben retirarse y ser eliminadas adecuadamente.

Asegúrese de que todas las etiquetas de advertencia y precaución son legibles y están adheridas adecuadamente a la máquina.

Durante su manejo, debe prestarse atención al resto de personas, especialmente a los niños.

Antes de usar la máquina deben colocarse todas las tapas y puertas en las posiciones especificadas en las instrucciones.

Cuando deje la máquina sin supervisión, trábela para asegurarse de que no haya movimientos no intencionales.

La máquina sólo deben manejarla personas instruidas y autorizadas.

Cuando deja la máquina sin supervisión, apague o trabe el interruptor de energía principal para evitar el uso no autorizado.

Este aparato ha sido diseñado para ser utilizado con las almohadillas especificadas por el fabricante. Si se conectan otras almohadillas esto podría afectar su seguridad.

No use la máquina sobre superficies con una pendiente superior al 10% (6 grados).

GUARDE ESTAS INSTRUCCIONES

Seguridad

Los símbolos siguientes se usan a lo largo de la guía del modo indicado en sus descripciones:

NIVEL DE INTENSIDAD DE RIESGO

Hay tres niveles de intensidad de riesgo, identificados por palabras claves **-ADVERTENCIA** y **PRECAUCIÓN** y **POR SEGURIDAD**. El nivel de intensidad de riesgo está determinado por las siguientes definiciones:

ADVERTENCIA:

ADVERTENCIA - Riesgos o prácticas poco seguras que PODRÍAN provocar graves lesiones personales o la muerte.

PRECAUCIÓN:

PRECAUCIÓN - Riesgos o prácticas poco seguras que podrían provocar lesiones menores a las personas o daños en el producto o en la propiedad.

POR SEGURIDAD: *Para identificar las acciones que deben seguirse para un manejo seguro del equipo.*

informe inmediatamente de los daños en la máquina o de su mal funcionamiento. No utilice la máquina si no está en buenas condiciones de funcionamiento. A continuación hay información que indica algunas condiciones potencialmente peligrosas para el operario o el equipo. Lea esta información con atención. Conozca cuándo pueden darse estas condiciones. Coloque todos los dispositivos de seguridad en la máquina. Por favor, siga los pasos necesarios para instruir a los operarios de la máquina.

POR SEGURIDAD:

NO UTILICE LA MÁQUINA:

Si no está instruido y autorizado para ello.

Si no ha leído y entendido el manual de instrucciones.

En áreas inflamables o explosivas.

En áreas en las que pueden caer objetos.

MIENTRAS REPARA LA MÁQUINA:

Evite el contacto con las piezas móviles. No lleve puesta ropa amplia (chaquetas, camisas, o mangas) cuando trabaje en la máquina. Use piezas de repuesto aprobadas por Karcher.

ADVERTENCIA:

Las baterías emiten gas hidrógeno. Es posible que se produzcan explosiones o incendios. Aléjelas de las chispas y las llamas. Mantenga el depósito para la solución en posición elevada mientras lo carga. Mantenga las baterías lejos de chispas y llamas. No fume cerca de las baterías.

ADVERTENCIA:

Desconecte las baterías antes de trabajar en la máquina. Sólo personal autorizado debería manipular el interior de la máquina. Use siempre protección ocular y ropa de protección cuando trabaje en las baterías o cerca de ellas. Evite que el ácido de las baterías entre en contacto con la piel.

ADVERTENCIA:

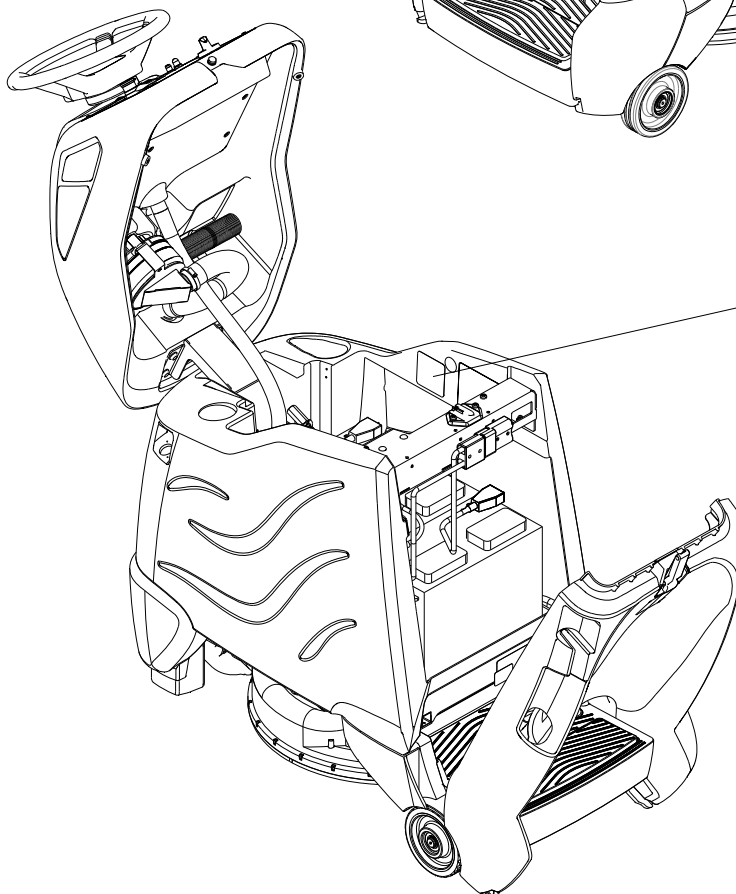
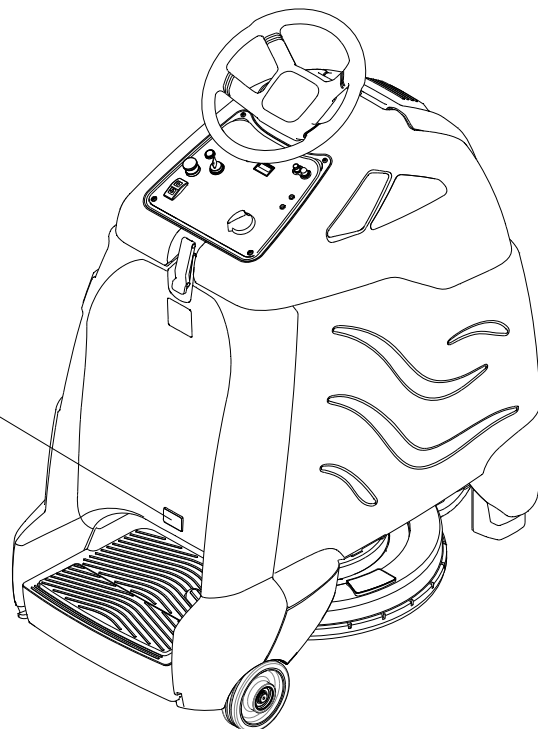
No deje nunca metal sobre la parte superior de las baterías.

UBICACIONES DE ETIQUETAS DE SEGURIDAD

Los dibujos indican la ubicación de las etiquetas de seguridad en la máquina. Si en un momento dado las etiquetas no se pueden leer, reemplácelas con rapidez.



86244310
NRO. PRV 500956
ETIQUETA DE PRECAUCIÓN



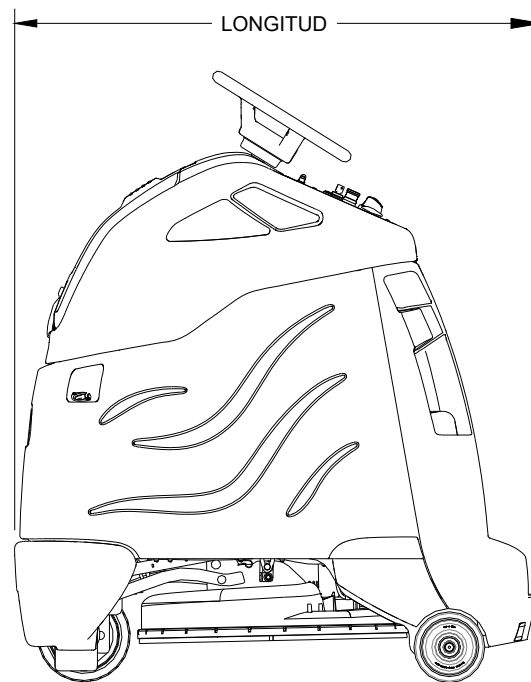
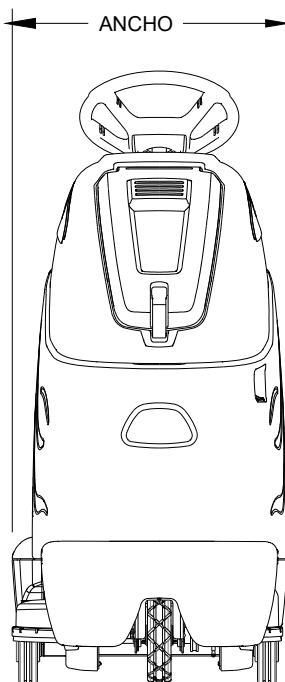
86252520
NRO. PRV 80885
PRECAUCIÓN
SOBRE BATERÍAS

Funcionamiento

Especificaciones Técnicas

ELEMENTO	DIMENSIÓN/CAPACIDAD
Potencia nominal	Control de polvo pasivo 2232W, Control de polvo activo 2628W
Voltaje nominal	36 Voltios CC
Intensidad de corriente nominal	Control de polvo pasivo 62A, Control de polvo activo 73A
Baterías	3 X12 Voltios 114 AH, 130 AH, 225AH, o 234AH a coeficiente 20 horas
Dimensiones del compartimiento para las baterías	21,5 pulg. x 15,25 pulg. x 16 pulg. de alto (546mm x 387mm x 406mm de alto)
Motor de bruñido	3,0 HP, 36V, 2000RPM (2237W)
Motor de aspiración	0,63 CV (470 W)
Cantidad máxima de flujo del motor de aspiración	72 cfm (33,98 litros por segundo)
Succión máxima del motor de aspiración	47,3 pulgadas de agua (11,7 kPa)
Motor de propulsión	0,21 CV (157 W)
Masa (PMA)	380 kg. (838 libras)
Peso vacío sin baterías	105 kg. (231 libras)
Diámetro de la almohadilla de la bruñidora	508 mm. (20 pulgadas)
Neumáticos	8 pulg. (203mm) propulsión, 6 pulg. (156mm) parte trasera, poliuretano
Velocidad máxima	2,7 millas por hora (4,3 km/h)
Cobertura teórica	19,800 pies ² /hr @ 2,5 mph con 2 pulgadas de solapamiento
Freno	Freno de estacionamiento eléctrico, se activa automáticamente cuando el operario se detiene.
Anchura mínima de pasillo para giro de 180°	129,54cm. (1.295 mm)
Ángulo máximo nominal de ascenso y descenso	10% (6 grados)
Vibración, manos	1,58 m/s ²
Vibración, pies	1,39 m/s ²
Indefinición	0,5 m/s ²
Nivel de presión acústica	Control de polvo pasivo 59.7 dBA, Control de polvo activo 62.2 dBA
Nivel de potencia acústica	Control de polvo pasivo 76,3 dBA, Control de polvo activo 80,1 dBA
Indefinición	3,0 dBA

ELEMENTO	MEDIDA
Altura	1316 mm (51,8 pulgadas)
Longitud	1118 mm (44 pulgadas)
Ancho	594 mm (23,4 pulg.)
Ancho de la senda de bruñido	508 mm (20 pulgadas)

**⚠ PRECAUCIÓN:**

Este aparato no está diseñado para ser utilizado por personas (incluidos los niños) con habilidades físicas, sensoriales o mentales reducidas, o falta de experiencia y conocimiento, a menos que hayan recibido supervisión o instrucción sobre el uso del aparato por parte de una persona responsable de su seguridad. Los niños deben estar supervisados para garantizar que no jueguen con el aparato.

Cómo Funciona Esta Máquina

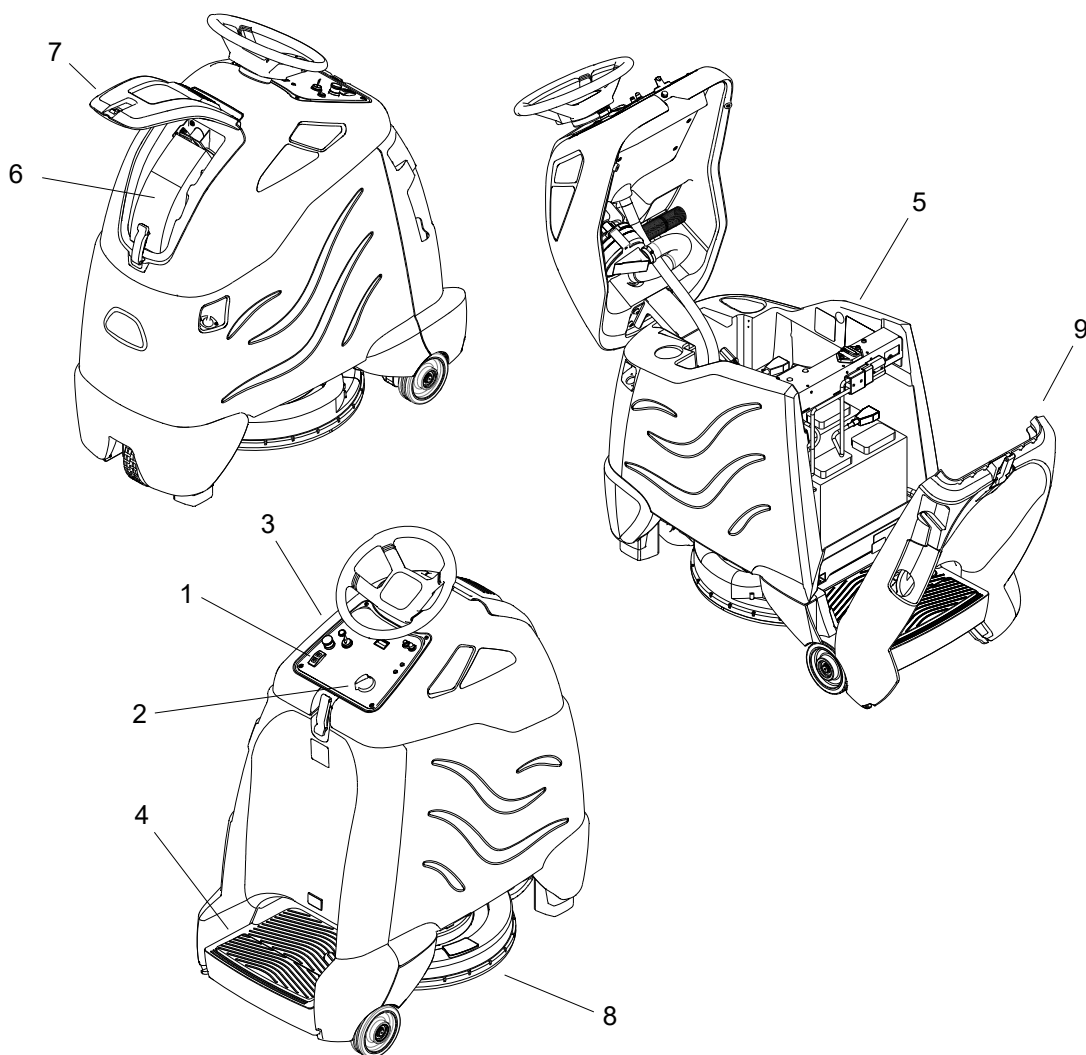
La Chariot® iGloss 20 es una bruñidora para pisos duros autopropulsada mediante baterías, diseñada para uso comercial. La máquina hace girar una almohadilla de bruñido de alta velocidad en contacto con la superficie del piso para producir un brillo de alto lustre.

Los sistemas primarios de la máquina son el sistema de bruñido, el sistema de control de polvo y el sistema de control del operario.

La función del sistema de bruñido consiste en hacer girar una almohadilla de bruñido de alta velocidad en contacto con una superficie de piso en la que se ha aplicado un acabado para bruñido. El operador puede bajar al piso y elevar la almohadilla de la bruñidora. La almohadilla de bruñido solamente gira cuando la máquina es accionada por el operario.

La función del sistema de control de polvo consiste en recoger el polvo que se genera durante el proceso de bruñido. Es normal que una parte del acabado del piso se desprenda en forma de polvo durante el proceso. Mientras se realiza el bruñido, la almohadilla que gira genera movimiento de aire dentro del cabezal de bruñido. El polvo que se genera también se incorpora a la corriente de aire y es transportado a una bolsa de filtro donde se lo recoge y separa de la corriente de aire. La bolsa de filtro se puede cambiar fácilmente sin liberar el polvo recogido. El sistema de control activo de polvo opcional utiliza un motor de aspiración para mejorar la recolección de polvo antes, durante y después del bruñido.

La función del sistema de control del operario es controlar la dirección y la velocidad de la máquina. El sistema de control direccional consta de un interruptor de control de dirección, pedal de acelerador, interruptor de freno/ parada de emergencia, volante, controlador de propulsión y rueda de propulsión. El interruptor de reinicio de propulsión del control direccional indica el sentido hacia adelante o atrás y se asegura de que el operador esté en la plataforma antes de que la máquina se propulse. El controlador interpreta las señales del pedal del acelerador para hacer que la rueda de propulsión haga avanzar o frenar la máquina. El volante sitúa la rueda de propulsión en la dirección deseada por el operario. El freno de estacionamiento se acciona automáticamente cuando el operario detiene la máquina. El freno de emergencia/ detención puede usarse para controlar la máquina en terrenos inclinados.

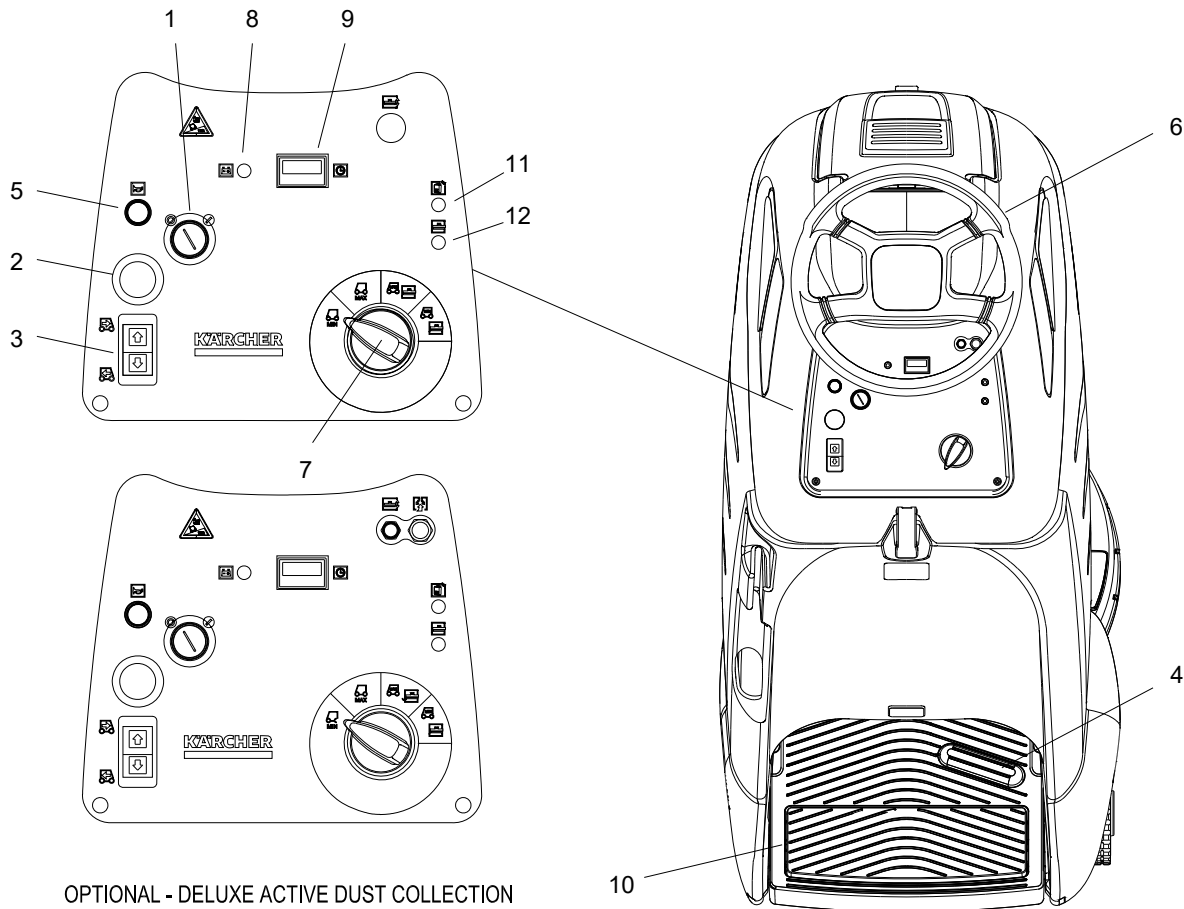


Componentes

- 1. Controles de accionamiento
- 2. Controles de la bruñidora
- 3. Consola de control
- 4. Plataforma del pedal
- 5. Cuerpo inferior

- 6. Caja de bolsas
- 7. Cubierta de caja de bolsas
- 8. Plataforma de bruñido
- 9. Tapa posterior

Controles de Accionamiento



OPTIONAL - DELUXE ACTIVE DUST COLLECTION

1. Interruptor de contacto
2. Interruptor de freno/ parada de emergencia
3. Control direccional / Interruptor de reinicio de propulsión
4. Pedal del acelerador
5. Botón de claxon
6. Volante
7. Control de velocidad/Selección de funciones
8. Indicador de descarga de las baterías
9. Medidor de horas
10. Interruptor de presencia del operario
11. Indicador de presencia de bolsa
12. Controle el indicador de la almohadilla

1. INTERRUPTOR DE CONTACTO

Controla la energía para las funciones de la máquina.

Para encender la máquina, gire la llave en el sentido de las agujas del reloj.

Para apagar la máquina, gire la llave en sentido contrario a las agujas del reloj.

Cuando el contacto esté encendido, se iluminará el símbolo de la batería una vez y permanecerá continuamente encendido.

2. INTERRUPTOR DE FRENO/ PARADA DE EMERGENCIA

Este mecanismo de seguridad tiene por finalidad desconectar la alimentación de la máquina en determinado momento y aplicar el freno de estacionamiento.

Para desconectar la energía de la máquina, presione el interruptor de parada de emergencia; esto hará que se aplique el freno de estacionamiento y la máquina se detenga inmediatamente.

Para reiniciar la máquina, gire el interruptor en el sentido de las agujas del reloj.

3. CONTROL DIRECCIONAL / INTERRUPTOR DE REINICIO DE PROPULSIÓN

Este mecanismo de seguridad tiene por finalidad asegurar que se coloque adecuadamente la propulsión.

Cada vez que se enciende la alimentación de la máquina, o cada vez que el operario pisa la plataforma, el interruptor de reinicio de propulsión se debe presionar antes de que la máquina se accione.

El interruptor controla la dirección de la trayectoria del vehículo. La flecha encendida en el interruptor indica la dirección de la trayectoria.

Para avanzar hacia adelante, pulse la parte superior del interruptor.

Para ir en marcha atrás, pulse la parte inferior del interruptor.

Funcionamiento

4. PEDAL DEL ACELERADOR

Controla la velocidad del vehículo dentro de la configuración de control de velocidad seleccionada. Si se presiona el pedal la máquina avanza en la dirección seleccionada por el interruptor de control direccional. Para aumentar la velocidad, aumente la presión sobre el pedal. Para reducir la velocidad, disminuya la presión sobre el pedal.

5. BOTÓN DE CLAXON

El claxon se activa presionando el botón de claxon.

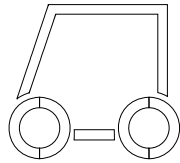
6. VOLANTE

El volante gira la rueda delantera haciendo que la máquina cambie de dirección.

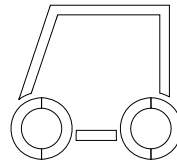
7. CONTROL DE VELOCIDAD

Controla la velocidad máxima de la máquina. Existen dos configuraciones; lento y rápido. Para cambiar la velocidad, rote el dial a cualquiera de las posiciones, lenta o rápida. La posición lenta es hacia la izquierda (en sentido contrario de las agujas del reloj), la posición rápida es hacia la derecha (posición superior).

El pedal del acelerador siempre regulará la velocidad entre 0 y la máxima.



LENTO



RÁPIDO

8. INDICADOR DE DESCARGA DE LAS BATERÍAS

Indica el nivel de carga de las baterías.

El indicador se iluminará si las baterías tienen una carga suficiente. Si se enciende de manera lenta y continuada indica que las baterías requieren carga.

La función de bloqueo de la batería siempre se activa cuando la carga de las baterías está baja.

Una vez activado, el indicador de estado LED comenzará a parpadear lentamente y el controlador impedirá el movimiento del motor de la bruñidora. La aspiración y la marcha permanecen en funcionamiento. Regrese la unidad a la estación de carga y cargue las baterías.

NOTAS: El uso continuado puede dañar las baterías.

Si la máquina se deja durante la noche sin la carga completa, la pantalla puede indicar en un primer momento que la carga está completa. Lo mismo sucede si se desconectan las baterías y se vuelven a conectar. Tras unos minutos de funcionamiento, el indicador proporcionará el nivel de carga correcto.

9. MEDIDOR DE HORAS

Registra el número de horas que la máquina ha estado en funcionamiento de bruñido. Esta información es útil para determinar cuándo reparar la máquina.

10. INTERRUPTOR DE PRESENCIA DEL OPERADOR

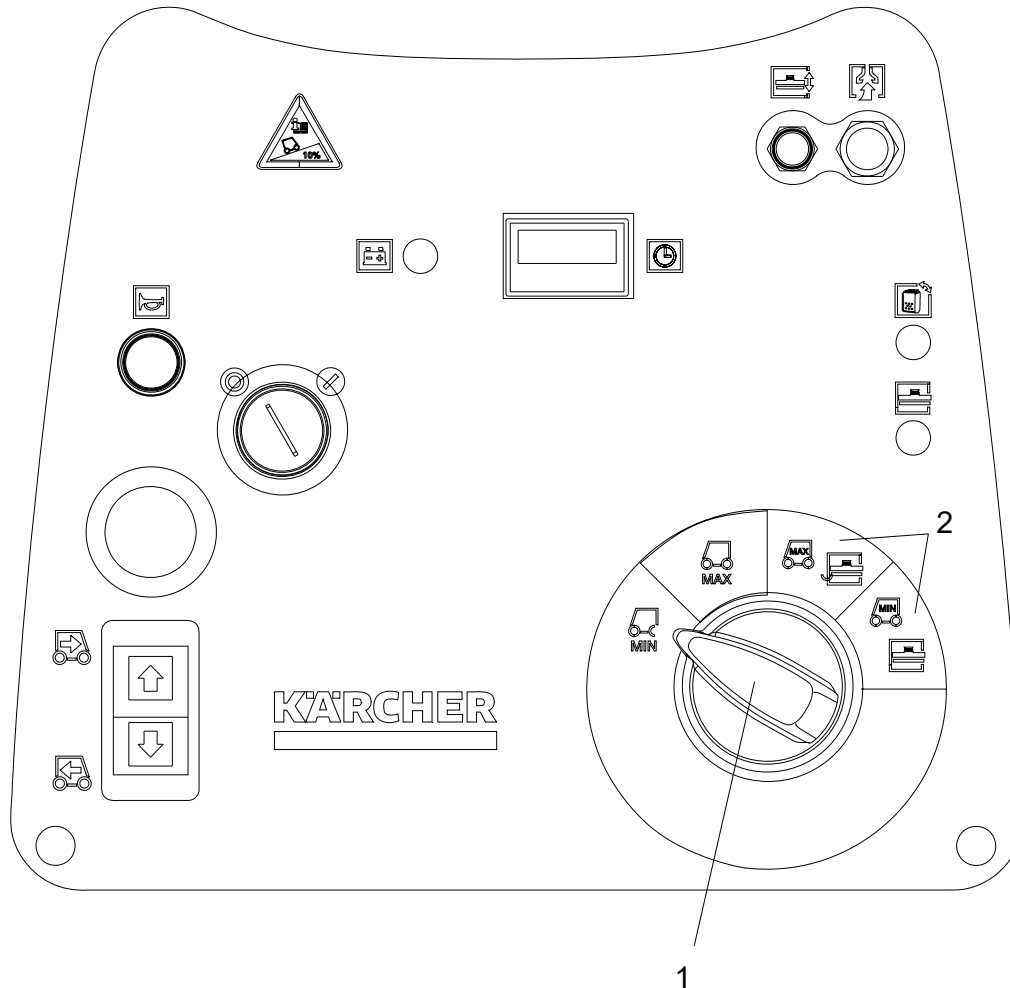
Se debe presionar antes de activar cualquier función de la máquina.

11. INDICADOR DE PRESENCIA DE BOLSA

Informa al operador si falta la bolsa de recolección de polvo. El LED se pone rojo cuando falta la bolsa o no está instalada correctamente.

12. VERIFICAR INDICADOR DE LA ALMOHADILLA

Informa al operador si hay un posible problema con la almohadilla o falta la almohadilla. Si el LED está rojo, el operador debe retirar el accionador de la almohadilla y verificar el estado y su instalación correcta.

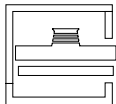


1. INTERRUPTOR DEL MODO DE FUNCIÓN

Las primeras dos posiciones son únicamente para transporte. Consulte la sección de controles de accionamiento.

2. BRUÑIDO LIGERO Y PROFUNDO

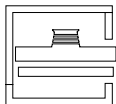
Bruñido suave



Este modo se utiliza para el bruñido suave. En este modo, la máquina funcionará a alta velocidad.

La plataforma de bruñido "flotante" está en la posición baja. Cuando está equipado con recolección activa de polvo opcional, el motor de aspiración está encendido.

Bruñido intenso



Este modo se utiliza para el bruñido intenso. En este modo, la máquina funcionará a baja velocidad.

La plataforma de bruñido "flotante" está en la posición alta. Cuando está equipado con recolección activa de polvo opcional, el motor de aspiración está encendido.

Funcionamiento

Manejo de la máquina.

Inspección Previa al Funcionamiento de la Máquina

Realice una inspección previa al funcionamiento de la máquina para encontrar posibles problemas que podrían provocar mal funcionamiento o una pérdida de tiempo debido a una avería. Siga el mismo procedimiento cada vez, para evitar que algún paso se le olvide.

NOTA: Consulte la sección sobre mantenimiento para obtener los elementos de la lista de verificación correspondientes a la inspección previa al funcionamiento de la máquina.

Puesta en Marcha de la Máquina

NOTA: Realice la comprobación previa al funcionamiento de la máquina antes de hacer funcionar la máquina.

POR SEGURIDAD: Antes de poner en marcha la máquina, asegúrese de que todos los dispositivos de seguridad están en su lugar y funcionan correctamente.

1. Desconecte o desenchufe el cargador de baterías.
2. Cierre la tapa.
3. Verifique el estado de la almohadilla de bruñido, y reemplace de ser necesario.
4. Verifique que el accionador de la almohadilla extraíble esté instalado correctamente y que esté liberada la traba de rotación de la almohadilla.
5. El operario se debe encontrar sobre la plataforma del pedal. El pedal del acelerador debe estar en posición neutral.
6. Encienda la alimentación de la máquina girando el interruptor de contacto en la dirección de las agujas del reloj hasta la posición ENCENDIDO (ON).
7. Verifique que esté instalada la bolsa de recolección de polvo.
8. Presione el interruptor de control direccional de reinicio de propulsión para restaurar y configurar la dirección deseada de la trayectoria.
9. Presione ligeramente el pedal del acelerador con el pie derecho

Procedimiento de Parada de Emergencia

Presione el botón de parada de emergencia. Esto hará que se active el freno de estacionamiento y que la máquina se detenga de inmediato.

Funcionamiento de la Máquina

Al manejar la máquina cerca de gente, preste especial atención a los movimientos inesperados. Ponga más atención si se trata de niños.

1. Párese sobre la plataforma de operario. El pedal del acelerador se debe encontrar en posición neutral.
2. Encienda la máquina.
3. Seleccione la velocidad de transporte desde el interruptor de modo de función.
4. Seleccione la dirección de trayectoria deseada, presione el interruptor de control direccional / reinicio de propulsión.
5. Seleccione B1 o B2 desde el interruptor de modo de función. La plataforma descenderá.
6. El motor de la almohadilla sólo funcionará cuando el cabezal de bruñido se baje a una distancia de 2 pulgadas del piso.
7. En ocasiones verifique que la luz indicadora de "verificar almohadilla" esté verde. De no ser así, detenga la máquina, quite el accionador de la almohadilla y verifique la almohadilla. Reemplace o dé vuelta según sea necesario.

NOTA: Para evitar un daño posible a la superficie del suelo siempre mantenga la máquina en movimiento mientras la almohadilla está girando.

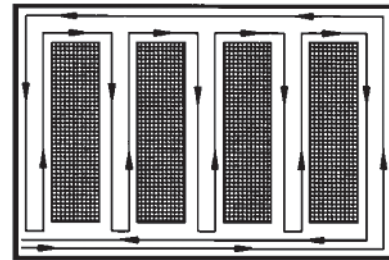
8. Cuando el cabezal está bajo y la máquina está en movimiento, funciona el motor de la almohadilla.
9. Cuando la luz de la batería se enciende en forma intermitente significa que las baterías están descargadas; detenga la operación y cargue las baterías.

Bruñido normal

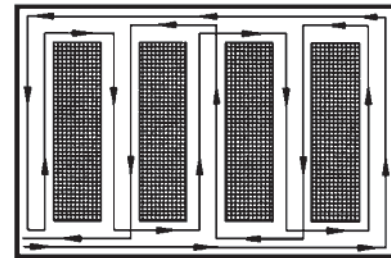
Planifique el patrón de bruñido por anticipado. La ruta más larga es la que rodea el perímetro del área que va a ser bruñida. Para conseguir un funcionamiento eficiente, deberían realizarse recorridos lo más largos posibles sin girar, detenerse, o subir y bajar la plataforma de bruñido.

Para conseguir los mejores resultados posibles, se debería barrer y pasar la fregadora automática antes de bruñir el área.

SENDA DE BRUÑIDO INEFICIENTE



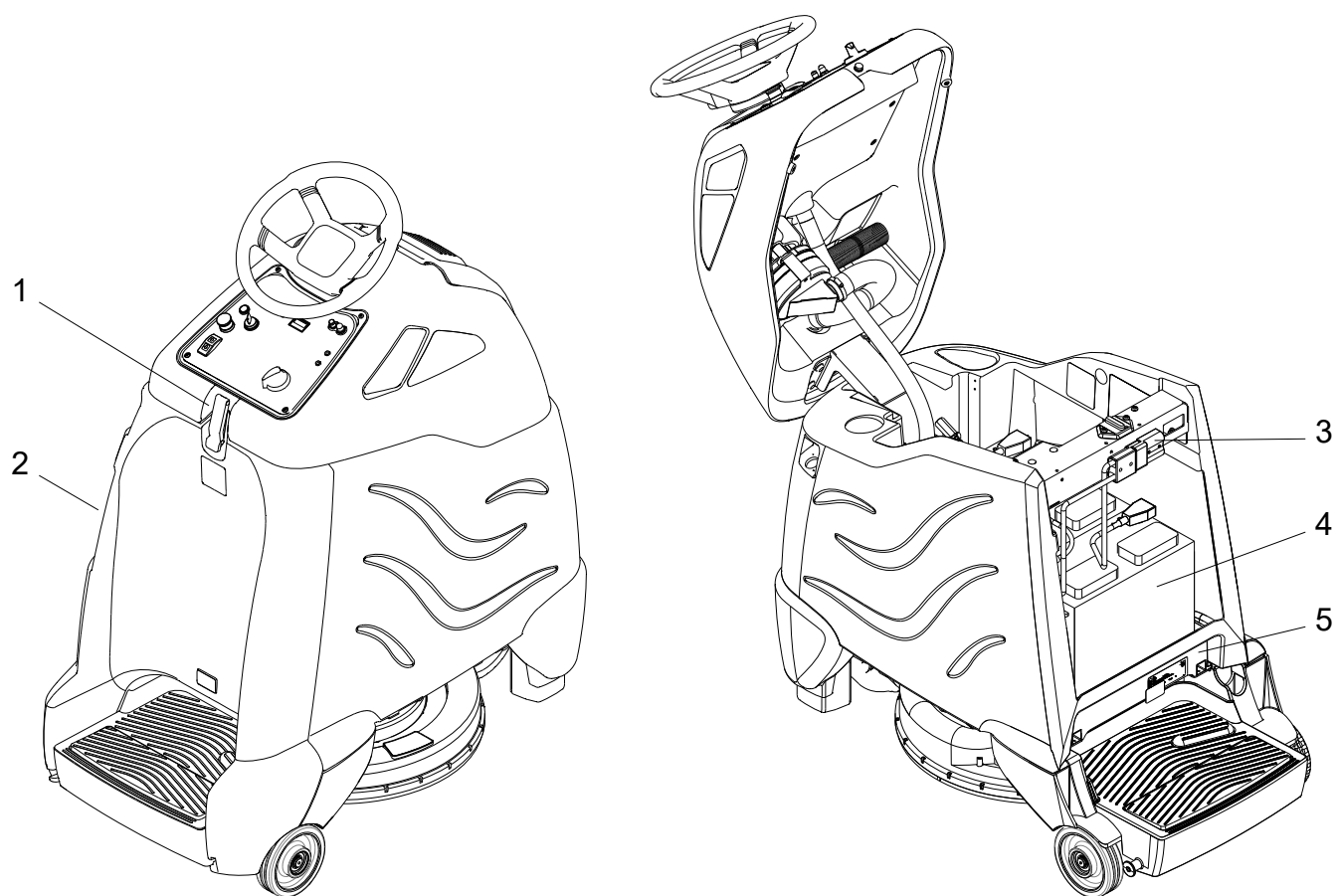
SENDA DE BRUÑIDO RECOMENDADA



Mantenimiento

Programación del Mantenimiento

MANTENIMIENTO	ANTES DE CADA PERÍODO DE TRABAJO	DESPUÉS DE CADA PERÍODO DE TRABAJO	50 horas	100 horas	200 horas
Controle el nivel de agua de las baterías después de la carga; añada agua destilada si es necesario. (Únicamente celdas húmedas)	*				
Compruebe visualmente si los neumáticos están dañados o desgastados.	*				
Compruebe si los cepillos o las almohadillas están correctamente instalados.	*				
Verifique las conexiones de la manguera de aspiración.	*				
Compruebe que el pedal, el freno y la dirección funcionen correctamente.	*				
Controle la bolsa de polvo.		*			
Cargue las baterías si fuera necesario.		*			
Limpie la parte superior de las baterías.			*		
Verifique las celdas de las baterías con un hidrómetro. (Únicamente celdas húmedas)			*		
Inspeccione el faldón de la plataforma			*		
Compruebe que las conexiones de las baterías estén firmes.			*		
Limpie las cajas y el compartimiento de las baterías.				*	
Verifique el freno de estacionamiento.					*
Limpie los puntos de pivotación en el cabezal de bruñido.					*
Compruebe si hay desgaste de las escobillas de carbón de todos los motores.					*
Compruebe la tensión de la cadena de dirección.					*
Compruebe la tensión de la cadena de propulsión.					*



1. Seguro del retenedor de cubierta
2. Tapa posterior
3. Conector de baterías - Máquina
4. Baterías
5. Bandeja de las baterías

Mantenimiento

Baterías (celda húmeda)

Las baterías proporcionan la energía para operar la máquina. Las baterías requieren un mantenimiento regular para que sigan funcionando a su eficacia máxima.

Las baterías de la máquina conservarán su carga durante períodos de tiempo prolongados pero sólo pueden ser cargadas una cantidad determinada de veces. Para lograr una mayor vida útil de las baterías, cárguelas cuando su nivel de carga llegue al 25% de la carga total. Utilice un hidrómetro para controlar el nivel de carga.

No deje que las baterías permanezcan descargadas por un periodo de tiempo prolongado. Nunca exponga una batería descargada a temperaturas bajo cero. Las baterías descargadas se congelarán causando la quebradura de la carcasa. No opere la máquina si las baterías se encuentran en malas condiciones o si cuentan con un nivel de carga por debajo del 25% (peso específico por debajo de 1.155).

Aleje cualquier objeto metálico de la parte superior de las baterías ya que podría causar un cortocircuito. Reemplace los cables y los terminales gastados o dañados.

Controle el nivel electrolítico en cada celda de batería antes y después de cargar las baterías. Nunca le agregue ácido a las baterías, use agua destilada. No deje que el nivel del agua caiga por debajo de las placas de la batería. Las porciones de placa expuestas al aire se destruirán. No las recargue demasiado. Mantenga los tapones firmemente en su lugar en todo momento.

ADVERTENCIA:

No todas las baterías requieren un mantenimiento. Las baterías AGM no requieren mantenimiento. No intente retirar las tapas herméticas de las baterías AGM. Si se retiran las tapas de la batería AGM, se anulará la garantía.

PRECAUCIÓN:

Cuando realice el mantenimiento de la máquina, evite el contacto con el ácido de las baterías.

ADVERTENCIA:

Las baterías emiten gas hidrógeno. Es posible que se produzcan explosiones o incendios. Aléjelas de

las chispas y las llamas. Mantenga las tapas abiertas durante la carga.

ADVERTENCIA:

Utilice protección para los ojos y vestimenta adecuada cuando trabaje con baterías.

ADVERTENCIA:

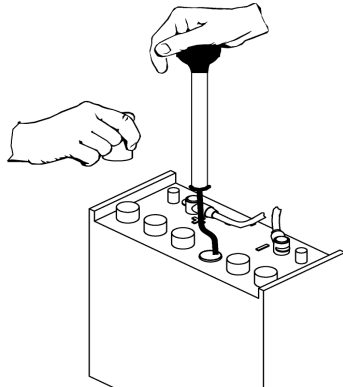
Cargue las baterías en un área bien ventilada.

Mantenimiento de las baterías

1. Cuando limpie las baterías, use una solución de bicarbonato de sodio y agua. No deje que el fluido de limpieza ingrese a las celdas de las baterías ya que se neutralizarán los electrolitos.
2. Mantenga el nivel electrolítico adecuado en cada celda de batería. Si una celda se desborda accidentalmente, límpiela inmediatamente.
3. Limpie la parte superior de las baterías al menos una vez por semana.
4. Pruebe el estado de las baterías con un hidrómetro al menos una vez por semana.
5. Asegúrese de que todas las conexiones estén ajustadas y que no haya restos de corrosión.
6. Cada 4 a 6 meses, retire las baterías de la máquina y limpie sus cajas y compartimentos.

Comprobar la Gravedad Específica de las Baterías

Utilice un hidrómetro para controlar el peso específico de la batería.



Control De Gravedad

- a. Batería del hidrómetro
- b. Batería

NOTA: No tome las lecturas inmediatamente después de agregar agua destilada, si el agua y el ácido no se mezclan bien, las lecturas pueden ser incorrectas.

Controle las lecturas del hidrómetro con los valores de este cuadro.

PESO ESPECÍFICO @ 80° F (27° C)	ESTADO DE LA BATERÍA
1.265	CARGA 100%
1.225	CARGA 75%
1.190	CARGA 50%
1.155	CARGA 25%
1.120	DESCARGADA

NOTA: Si las lecturas se toman cuando los electrolitos de la batería están a una temperatura diferente de 27°C (80°F), las lecturas deben corregirse en función de la temperatura.

Para hallar la lectura de peso específico cuando la temperatura del electrolito de la batería es diferente de 27°C (80°F): Sume (+) a la lectura de peso específico 0.004 (4 puntos), por cada 6°C (10°F) por encima de 27°C (80°F). Reste (-) a la lectura de peso específico 0.004 (4 puntos), por cada 6°C (10°F) por debajo de 27°C (80°F).

Cargar las Baterías

⚠ PRECAUCIÓN:

Cuando realice el mantenimiento de la máquina, evite el contacto con el ácido de las baterías.

⚠ ADVERTENCIA:

Las baterías emiten gas hidrógeno. Es posible que se produzcan explosiones o incendios. Aléjelas de las chispas y las llamas. Mantenga las tapas abiertas durante la carga.

⚠ ADVERTENCIA:

Utilice protección para los ojos y vestimenta adecuada cuando trabaje con baterías.

⚠ ADVERTENCIA:

Cargue las baterías en un área bien ventilada.

Use un cargador de CC de 36 voltios, con una salida máxima de 20 amperes, el cual se detendrá automáticamente cuando las baterías estén totalmente cargadas.

1. Detenga la máquina en un área limpia y bien ventilada cerca del cargador.
2. Apague la máquina.

POR SEGURIDAD: Antes de dejar de usar la máquina o repararla, deténgase en una superficie nivelada, apáguela y retire la llave.

3. Retire la tapa posterior y desconecte las baterías de la máquina.

⚠ ADVERTENCIA:

Las baterías emiten gas hidrógeno. Es posible que se produzcan explosiones o incendios. Aléjelas de las chispas y las llamas. Mantenga las tapas abiertas durante la carga.

4. Controle el nivel de electrolitos en cada celda de la batería. Antes de realizar la carga, agregue el agua destilada suficiente como para cubrir las placas. Cuando la carga esté completa, agréguele el agua destilada suficiente para elevar el nivel hasta el anillo indicador. Si el nivel de agua es demasiado alto antes de cargar, la tasa normal de expansión del electrolito puede provocar que el agua rebose, y resultar en una pérdida del balance del ácido en las baterías y en daños para la máquina.

Mantenimiento

5. Vuelva a colocar las tapas de la batería y déjelas en su lugar mientras realiza la carga.
6. Desenchufe el conector de la batería de la máquina.

POR SEGURIDAD: Cuando realice la carga, conecte el cargador a las baterías antes de conectar el cargador al tomacorriente de pared de CA. Nunca conecte el cargador al tomacorriente de pared de CA en primer lugar. Podrían saltar chispas peligrosas.

7. Enchufe el conector del cargador al conector de la batería. Conecte el enchufe de CA del cargador a un tomacorriente de pared. El calibrador del cargador debería indicar que las baterías se están cargando.
8. Cuando las baterías están totalmente cargadas, desconecte el cargador del tomacorriente de pared de CA y luego desconecte el cargador de las baterías.
9. Conecte las baterías al conector de la máquina.
10. Controle el nivel electrolítico. Debería llegar hasta el anillo indicador. En caso de ser necesario, agregue agua destilada.
11. Instale la tapa posterior.

Cambiar las Baterías

Detenga la máquina en un área limpia cerca del cargador. Desconecte la máquina.

POR SEGURIDAD: Antes de dejar de usar la máquina o repararla, deténgase en una superficie nivelada, apáguela y retire la llave.

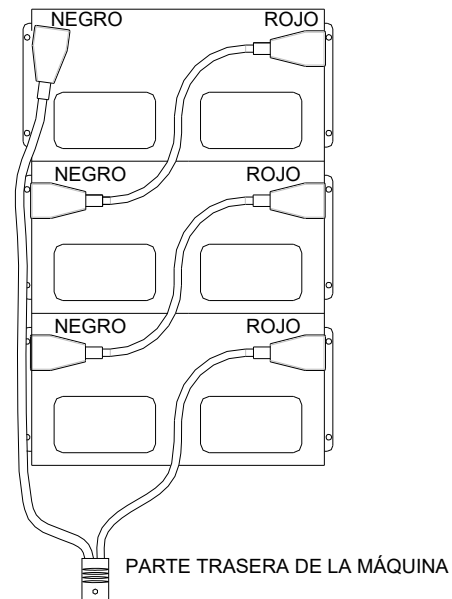
1. Abra la tapa de la consola.
2. Retire la cubierta posterior.
3. Desconecte el pack de baterías de la máquina.

Use una llave de tuercas abierta del tamaño adecuado para desconectar los conductores a tierra y asegure que la terminal del cable esté alejada de las baterías.

4. Desconecte el cable eléctrico positivo y coloque las terminales del cable lejos de las baterías.
5. Suelte los terminales de cada cable de acoplamiento y retire uno cada vez.
6. Prepare un sitio adecuado para ubicar las baterías.

ADVERTENCIA:

Conecte un dispositivo de elevación de baterías adecuado y eleve las baterías de la máquina. Las baterías son un riesgo potencial para el medio ambiente. Consulte a su proveedor de baterías acerca de cómo deshacerse de sus baterías de manera segura.



NOTA: Rojo (+) y negro (-) se instalan opuestos para la configuración de batería 225 AH (J185).

Programación del cargador de baterías

NOTA: Para las máquinas con cargador integrado opcional. Cuando sustituya las baterías, es posible que sean necesarios cambios en la programación del cargador. Si sustituye baterías del mismo tipo, (por ejemplo, baterías sin mantenimiento por baterías sin mantenimiento), no se necesitará programarse. Cuando las baterías son de tipos diferentes (por ejemplo, baterías sin mantenimiento por baterías de celdas húmedas), se necesitará hacer cambios en la programación. Si no se realizan estos cambios en la programación, puede reducirse la vida útil de la batería.

Instrucciones de Programación

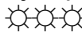
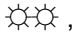
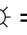
El cargador está precargado con los algoritmos de carga que se muestran a continuación:

AlgID	Descripción
1	Trojan J185H
5	Trojan 30XHS
42	Ver AGM EV31A-A
43	Ver AGM EV185A-A

Verifique Algoritmo de Carga Predeterminado

Ingrese modo de visualización de algoritmo:

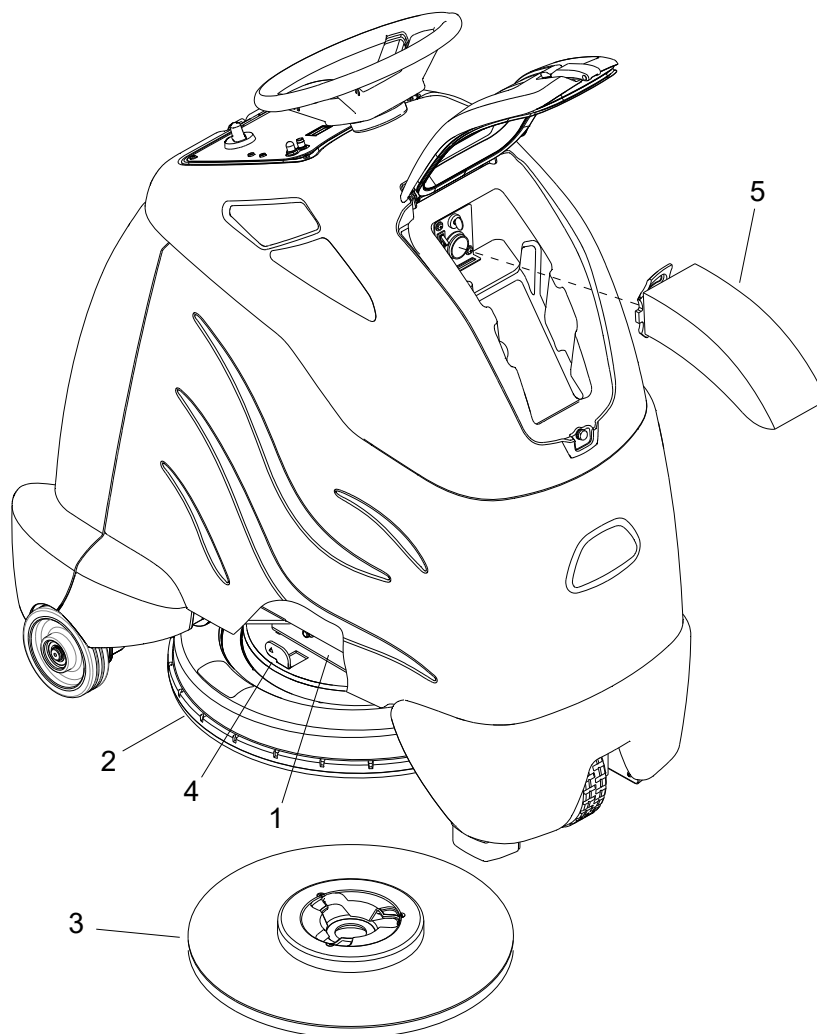
1. Desconecte el cable de energía de CA.
2. Quite la toma de conexión positiva del pack de baterías.
3. Aplique corriente de CA y el cargador mostrará el número de algoritmo después de la autopruueba con alimentación encendida:
 - a. Todos los algoritmos se mostrarán como una serie de destellos del Led 80%.
 - b. Los algoritmos #1 - 6 también se indicarán por los LED del amperómetro (ver el Manual del Usuario).

Ejemplos:
 = Algoritmo #3
 , Breve pausa,  = Algoritmo #21
4. La visualización del número del algoritmo se repite por 11 segundos, luego finaliza el modo de visualización del algoritmo.
5. Quite la alimentación de CA y vuelva a conectar la toma de conexión positiva.

Verifique Algoritmo de Carga Predeterminado

1. Ingrese el modo de visualización del algoritmo (como arriba).
2. Mientras se visualiza el número de algoritmo (por 11 segundos), contacte la toma positiva a la terminal positiva del pack de baterías durante 3,0 segundos ($\pm 0,5s$).
3. Quite la toma de conexión del pack de baterías. El número de algoritmo se incrementará.
4. Para incrementar el número de algoritmo nuevamente, repita los Pasos 2 y 3 dentro de los 30 segundos.
5. Contacte la toma positiva a la terminal positiva y sostenga hasta que haga clic el relé (>10 segundos). Ahora se almacena el nuevo algoritmo predeterminado.
6. Quite la alimentación de CA y verifique el algoritmo predeterminado.

Comuníquese con el fabricante del equipo original si los algoritmos de carga cargados en su cargador no soportan su pack de baterías.



Plataforma de Bruñido

1. Motor de la bruñidora
2. Faldón
3. Accionador de almohadilla/almohadilla
4. Palanca de la traba de rotación de la almohadilla

Recolección de Polvo

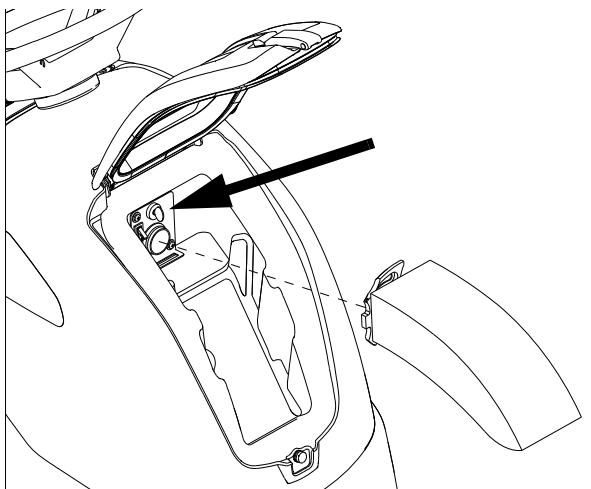
5. Bolsa de polvo

Almohadilla de Bruñido

Hay muchos tipos de almohadillas disponibles para el bruñido de pisos. Seleccione una almohadilla en base al tipo de piso y su terminación, a fin de obtener los mejores resultados.

Reemplazo de la Bolsa de Polvo

1. Suelte el seguro y levante la tapa para acceder a la bolsa de polvo.
2. Gire el tornillo mariposa a la posición horizontal para soltar la bolsa de polvo.
3. Quite la bolsa de polvo del bastidor plástico del soporte de montaje de la bolsa.
4. Invierta el procedimiento para instalar una nueva bolsa.



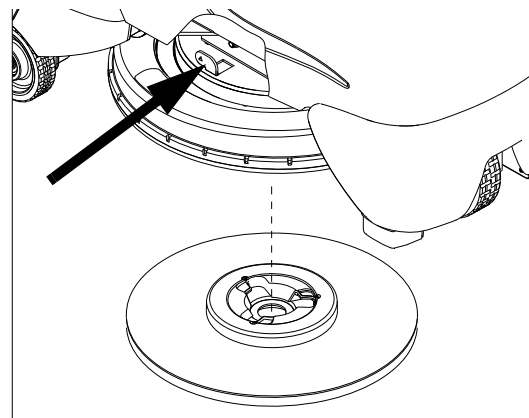
Faldón de Control de Polvo

1. Eleve la plataforma de bruñido con el interruptor de modo de función en modo de transporte.
2. Ubique los extremos del faldón del cepillo. Tire de uno de los extremos para soltar las sujeciones del protector. Una vez liberado de las dos sujeciones, tire con suavidad del faldón hacia el piso para quitarlo por completo de la protección.
3. Instale el nuevo faldón empujándolo hacia arriba contra las sujeciones una por vez, trabajando alrededor del diámetro del protector.
4. Donde se encuentran los extremos, recorte cualquier excedente de faldón con tijeras o cortacables.

Reemplazo de la Almohadilla

1. Coloque la plataforma de la bruñidora en la posición elevada.
2. Para quitar el accionador de la almohadilla:
 - Empuje hacia adentro y sostenga la palanca de la traba de rotación de la almohadilla.
 - Sujete el diámetro exterior de la almohadilla y el accionador de almohadilla.

- Gire con firmeza en contra de las agujas del reloj. El accionador de almohadilla se desconectará del buje del motor.
- Suelte la palanca de la traba de rotación de la almohadilla.



3. Para retirar la almohadilla del accionador de almohadilla:
 - Coloque el accionador de la almohadilla en una superficie plana, con la almohadilla hacia arriba.
 - Suelte el retenedor de almohadilla del centro de la almohadilla con el sujetador de alambre del retenedor.
 - Despegue la almohadilla del accionador.
4. Para instalar una nueva almohadilla en el accionador de almohadilla:
 - Centre la almohadilla en el accionador con la almohadilla hacia arriba.
 - Verifique el diámetro interno de la almohadilla donde encaja la almohadilla sobre el anillo con relieve del retenedor de la almohadilla.
 - Cuando instale el retenedor de almohadilla, asegúrese de que los sujetadores de alambre se ajustan en su lugar. La almohadilla necesitará comprimirse para conectar los sujetadores del retenedor de la almohadilla.
5. Para instalar el accionador de la almohadilla:
 - Empuje hacia adentro y sostenga la palanca de la traba de rotación de la almohadilla.
 - Mantenga el accionador de almohadilla paralelo al piso bajo protección
 - Levante el accionador de la almohadilla para que entre en contacto con el buje, manteniendo la alineación y centrándolo con el árbol del motor.
 - Gire el accionador de la almohadilla aplicando una leve presión sobre el buje. El accionador de la almohadilla se alinea con el buje y se eleva.
 - Continúe girando en el sentido de las agujas de reloj aproximadamente 15 grados para contactar completamente el buje.
 - Suelte la palanca de la traba de rotación de la almohadilla.

NOTA: La tensión final del accionador de la almohadilla se produce cuando el motor gira durante el bruñido.

Sustitución del motor de la bruñidora

1. Retire el montaje del accionador de la almohadilla.
2. Baje la plataforma de la bruñidora usando el interruptor de modo de función.
3. Gire la llave a la posición de apagado.
4. Desenchufe el pack de la batería de la máquina.
5. Desconecte los cables positivos y negativos de los postes del frente del motor. Tome nota de las ubicaciones para volver a ensamblarlo. Aísle los extremos de los cables, ya que las baterías se conectarán en el paso 6.
6. Desenganche los resortes de elevación de la plataforma, uno para cada lado. Impida que el soporte se retraiga dentro del cuerpo de la máquina usando los orificios y la clavija cruzada provisoria.
7. Quite el hardware (4X) conectando el acoplamiento al montaje del motor. Tome nota de la disposición de los componentes del hardware para volver a ensamblarlo.
8. Enchufe el pack de baterías. Encienda la llave. Ponga el interruptor de modo de función en transporte para elevar el acoplamiento superior.
9. Deslice el montaje de la plataforma desde la parte inferior de la máquina.
10. Dé vuelta el montaje de la plataforma.
11. Deslice hacia dentro la palanca de la traba de rotación de la almohadilla y sostenga mientras quita el perno y la arandela del buje del accionador de la almohadilla.
12. Suelte la palanca de la traba de rotación de la almohadilla, deslice el buje y apague la llave del árbol de motor.
13. Quite los pernos y arandelas (4X) que sostienen la protección interna y la placa. Saque el motor de la protección y del montaje de motor.
14. Realice el proceso a la inversa para volver a instalar.

Reemplazo de los anillos de las escobillas de carbón de los motores de la bruñidora

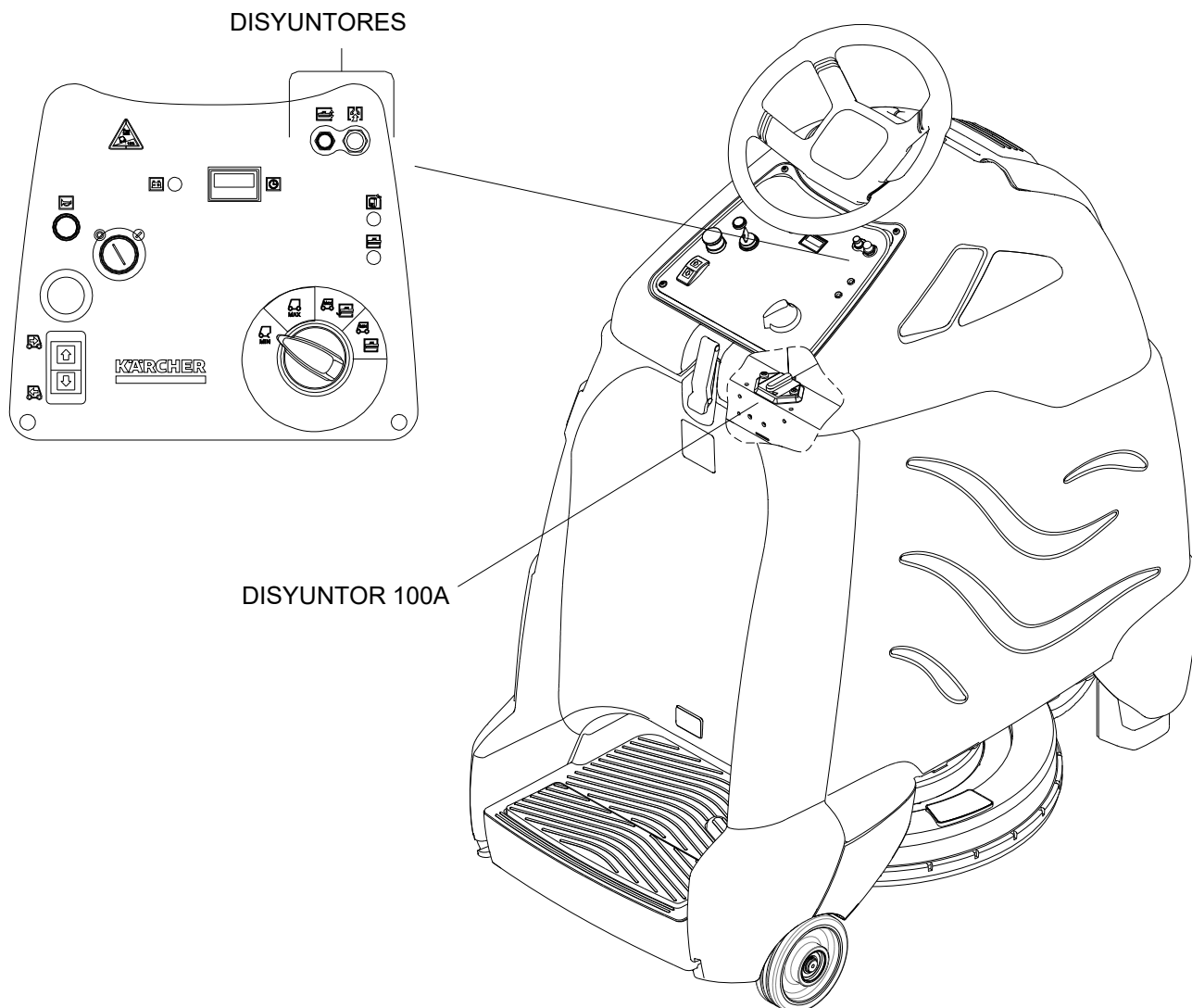
1. Siga los pasos 1-9 de "Reemplazo del motor de la bruñidora" para acceder a la parte superior del motor.
2. Quite los tornillos de cabeza plana (4X) de la cubierta del motor. Retire la cubierta.
3. Quite los tornillos de cabeza hexagonal (4X) que sujetan el montaje de anillos de los cepillos al gabinete del motor.
4. Deslice el montaje de anillos de los cepillos del conmutador del motor.
5. Limpie el excedente de carbón de los componentes del motor con aire comprimido.

6. Prepare el montaje de nuevos cepillos para el uso insertando los resortes de cepillo individuales en las guías de los cepillos. Verifique cada cepillo para asegurar el movimiento correcto luego de instalar los resortes.
7. Oprima los cepillos según sea necesario para insertar el alojamiento de los cepillos sobre el conmutador.
8. Verifique el área debajo de las terminales de los cables para asegurarse de que el anillo del cepillo esté ubicado totalmente contra el gabinete.
9. Reemplace los tornillos de cabeza hexagonal (4X) sosteniendo el montaje de anillos de los cepillos.
10. Gire el motor para verificar que gire normalmente.
11. Reemplace la cubierta del motor y los tornillos de cabeza plana (4X).
12. Invierta los pasos del paso 1 para volver a instalar en la máquina.

Reemplazo/Retiro del accionador de la plataforma

POR SEGURIDAD: Antes de dejar la máquina o realizarle mantenimiento, deténgala en una superficie nivelada. Desconecte la máquina.

1. Sostenga la plataforma debajo del accionador de almohadilla de manera que puedan retirarse las horquillas.
2. Retire los tornillos del parachoques (2).
3. Retire la batería frontal.
4. Tire del eje de dirección.
5. Desconecte el accionador del armazón de cables.
6. Desde la parte inferior de la máquina, retire el pasador de elevación inferior del accionador.
7. Retire el pasador de horquilla del soporte superior del accionador.
8. Eleve el accionador de la máquina.
9. Para volver a instalar, siga los pasos a la inversa.



Disyuntores

Los disyuntores interrumpen el flujo de energía en caso de una sobrecarga eléctrica. Si se dispara un disyuntor, restáurelo presionando el botón expuesto. Si un disyuntor sigue disparándose, debe buscarse la causa de la sobrecarga y corregirla.



1,5 Amp. protege el accionador del elevador de la plataforma, el claxon y el controlador.



18 Amp. protege el motor de aspiración.

100 Amp. protege el motor de la bruñidora.

Retiro del montaje del cuerpo

A fin de acceder a los componentes de propulsión o el bastidor, todo el montaje de cubierta de depósito/ consola puede retirarse como una unidad.

Retiro del cuerpo:

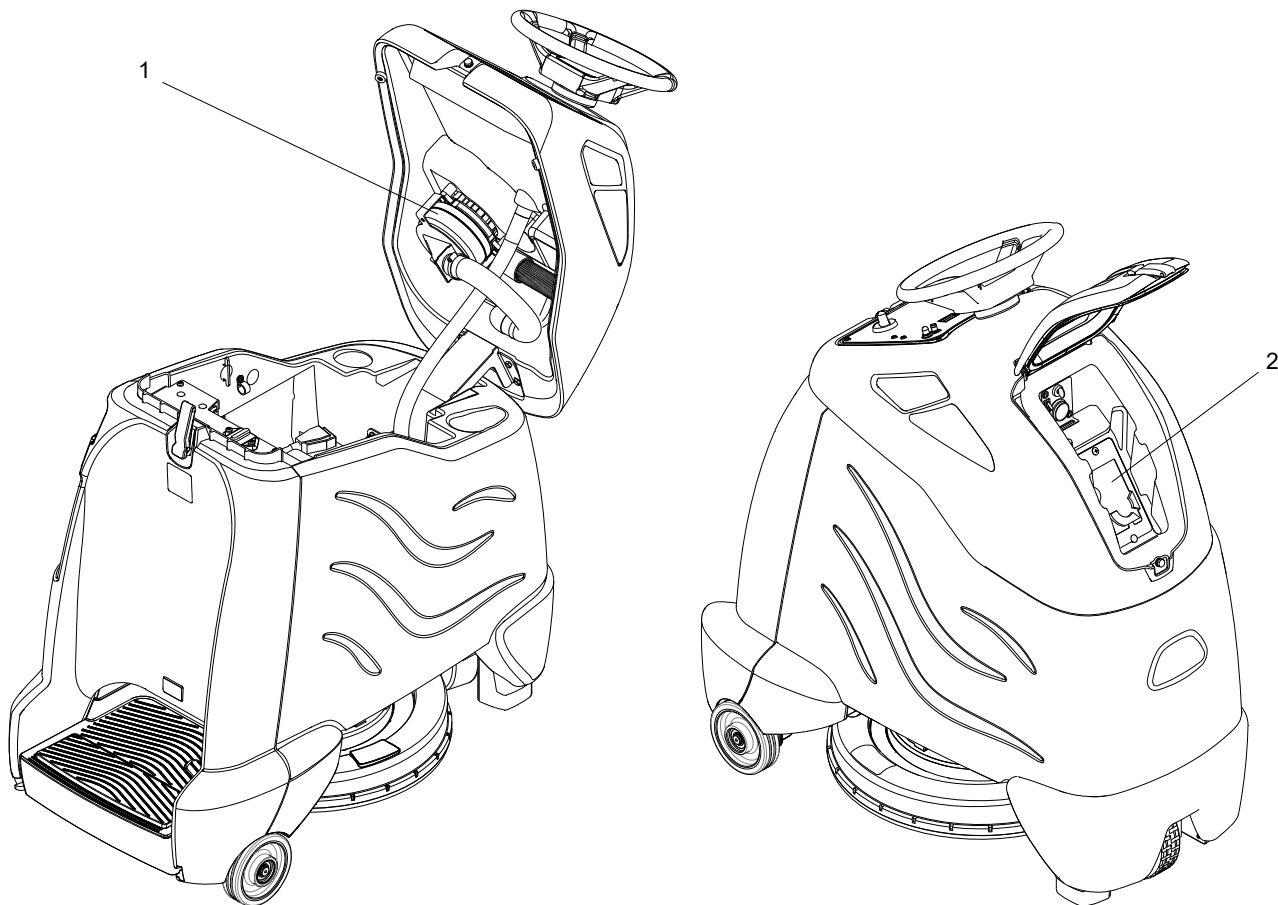
1. Abra la tapa de la consola.
2. Quite el panel trasero.
3. Sujete el extremo inferior del eje de dirección flexible y jale de éste hacia arriba hasta que se desenganche del eje de dirección hexagonal.
4. Desconecte los cinco enchufes de alimentación ubicados adelante de la bandeja de baterías. Acceda a las terminales a través del orificio izquierdo frontal del cuerpo principal.
5. Retire la conexión de cable de baterías del miembro cruzado trasero.
6. Cierre la tapa de la consola.
7. Retire el parachoques. Se encuentra un perno de montaje por lado ubicado justo arriba de las almohadillas del interior.
8. Retire los 6 pernos que sostienen el cuerpo en su lugar.
9. El montaje del cuerpo ahora puede levantarse del chasis y separarse.
10. Realice el proceso inverso para volver a montar.

Retiro de la unidad de propulsión

1. Retire el montaje del depósito.
2. Desconecte los conectores eléctricos de propulsión y el freno de la placa soporte.
3. Retire la abrazadera P que sostiene el cable.
4. Levante la placa de cubierta de la cadena del motor.
5. Sostenga el chasis sobre las almohadillas de manera que la rueda frontal esté a 10 pulgadas del piso.
6. Ubique y retire dos tuercas de montaje y retire la unidad de propulsión de la parte inferior.
7. Para volver a instalar, realice el proceso inverso.

NOTA: Observe que la lengüeta pequeña situada en el frente del bastidor de la unidad de propulsión debe estar alineado con la ranura de la placa de montaje.

Aspiradora - Opcional

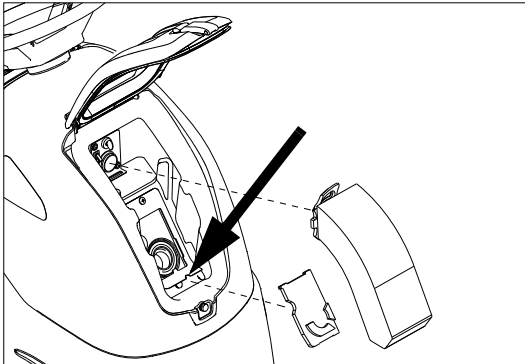


- 1. Motor de aspiración
- 2. Filtro de aspiración

Mantenimiento

Para reemplazar el filtro de aspiración

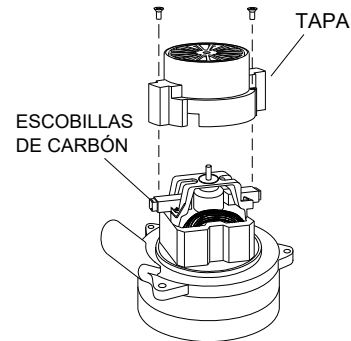
1. Abra la tapa de la bolsa de polvo.
2. Quite la bolsa de polvo.
3. Desbloquee la base del bastidor del filtro doblándolo levemente y luego deslícelo desde abajo del perno.
4. Levante el filtro para quitarlo del alojamiento.
5. Para volver a instalar, siga los pasos a la inversa.



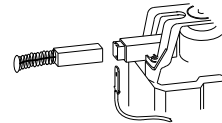
Reemplazo de los cepillos de carbón del motor de aspiración

POR SEGURIDAD: Antes de dejar de usar la máquina o de repararla, deténgase en una superficie nivelada, apague la máquina y desconecte la alimentación.

Advertencia: El cable verde de conexión a tierra debe estar conectado para una operación segura. Consulte el diagrama de cableado.

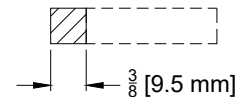


Si el conmutador del rotor no es concéntrico, o está muy picado o estriado, el motor debe sustituirse o ser enviado a un servicio técnico autorizado.



IMPORTANTE:

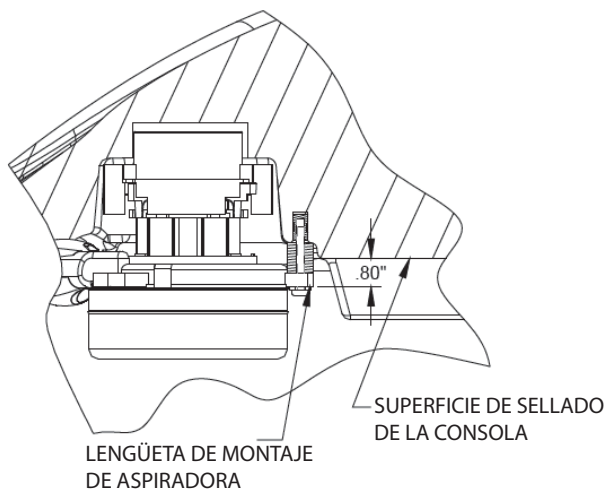
Las escobillas se desgastan más deprisa cuando se reduce su longitud, por aumento del calor. El muelle dentro del alojamiento de las escobillas puede dañar el motor si éstas se desgastan por completo.



Compruebe la longitud de las escobillas de carbón periódicamente. sustúyalas cuando la longitud de alguna de ellas sea menor de 9,5 mm (3/8").

Para reparar o reemplazar el motor de vacío

1. Retire los cuatro (4) tornillos de la parte superior del panel de control.
2. Vuelva hacia atrás el panel de control de la consola para mostrar los cables del motor de aspiración.
3. Desconecte el conector eléctrico del motor de aspiración.
4. Reemplace el panel de control, acople con un (1) tornillo para sujetarlo en su lugar.
5. Abra la consola.
6. Retire tres (3) tornillos y el soporte de montaje que sujetan el motor de aspiración.
7. Para volver a instalar, siga los pasos a la inversa.

Mount .80" From Sealing Surface of Console to the Top of the Mounting Tabs (3).

NOTA: Si el motor de aspiración no está montado como se indica, es posible que la aspiración no quede sellada correctamente y en consecuencia se obtenga un rendimiento deficiente.

Motor de accionamiento

Sustitución de las escobillas de carbón del motor de propulsión

! ADVERTENCIA:

No use una lavadora de presión para lavar los motores. Use tan sólo la presión del grifo.

POR SEGURIDAD: Antes de dejar de usar la máquina o de repararla, deténgase en una superficie nivelada, apague la máquina y retire los cepillos de carbón del motor.

1. Abra la tapa de la consola.
2. Incline hacia atrás el depósito de recogida hasta que se detenga en el acollador.
3. Sujete el extremo inferior del eje de dirección flexible y jale de éste hacia arriba hasta que se desenganche del eje de dirección hexagonal. Coloque el extremo suelto en uno de los puertos de llenado.
4. Retire la cubierta y la junta en el área del eje de dirección.
5. Para sujetar la rueda de propulsión, llegue debajo del parachoques frontal y gire hasta alcanzar la detención de dirección izquierda.
6. Las escobillas de carbón del motor de accionamiento se encuentran debajo de la banda de metal. Retire la banda para acceder a los 4 cepillos.
7. Retire el tornillo Phillips que sujeta cada cable. Retire los cepillos.
8. Instale los nuevos cepillos y vuelva a instalar la banda.
9. Sustituya la junta y la cubierta, configure la rueda de propulsión directamente, configure la rueda de dirección directamente y debe alinear suavemente el acoplamiento del eje de dirección y deslice sobre el eje inferior.
10. Cierre lentamente la cubierta y asegúrese de que el eje se deslice sin ligarse.

Tensión de la cadena de propulsión

La cadena de propulsión debería flexionarse 1/4 de pulgada en cada lado del lazo cuando el lado opuesto esté ajustado.

Para ajustar la tensión de la cadena:

1. Retire el parachoques.
2. Afloje la tuerca de 1/4 "detrás del piñón loco.
3. Apriete el tornillo frontal para aumentar la tensión de la cadena.
4. Vuelva a apretar la tuerca de 1/4 "detrás de la polea tensora.
5. Vuelva a instalar el parachoques.

Empujar la máquina

Esta máquina está equipada con una palanca para activar/desactivar los engranajes de propulsión.

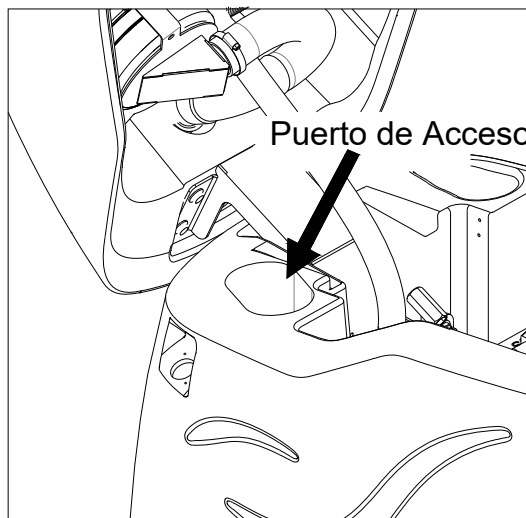
El freno se activa automáticamente y evita que la máquina se mueva cada vez que el operario detenga la máquina.

Los engranajes de propulsión pueden desactivarse de manera que la máquina pueda empujarse o remolarse (lentamente).

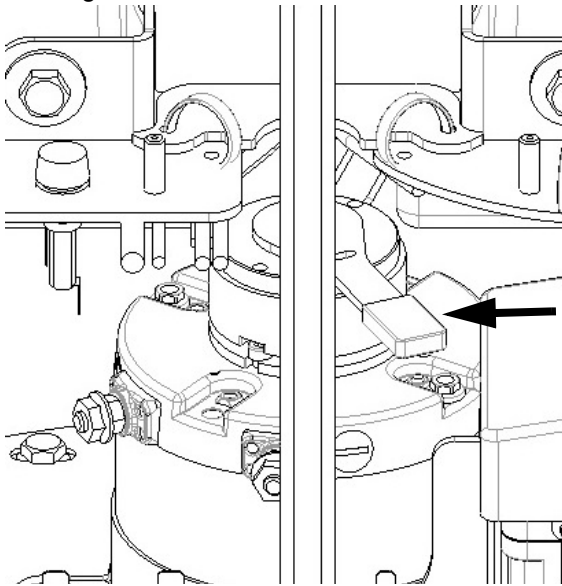
Cuando los engranajes de propulsión se desactiven, la máquina no puede hacerse funcionar.

Anulación de Freno

1. Desconecte la batería para evitar lesiones.
2. Gire la rueda ligeramente hacia la derecha.
3. El acceso a la palanca de freno se realiza a través del puerto de acceso en el lado delantero izquierdo de la parte inferior del cuerpo..



- Empuje la palanca como se indica para desenganchar el freno



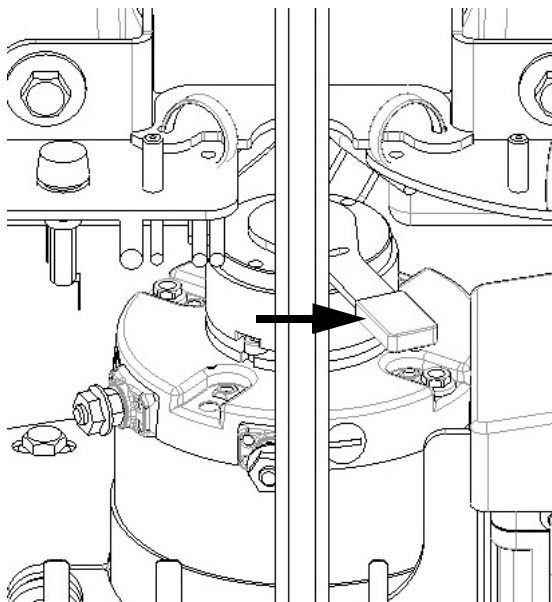
Pendientes

Cuando la máquina funciona en pendiente, puede llegar a detenerse. Apague la máquina. Espere 5 minutos y arranque la máquina para subir por la pendiente.

⚠ PRECAUCIÓN:

Puede ocurrir recalentamiento si no espera los 5 minutos completos.

- Empuje la máquina lentamente. Tenga cuidado ya que el voltaje es generado mientras empuja la máquina y puede hacer que el controlador detenga temporalmente el máquina..



- Para volver a poner el freno, empuje la palanca como se indica.

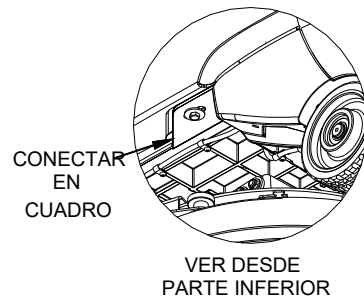
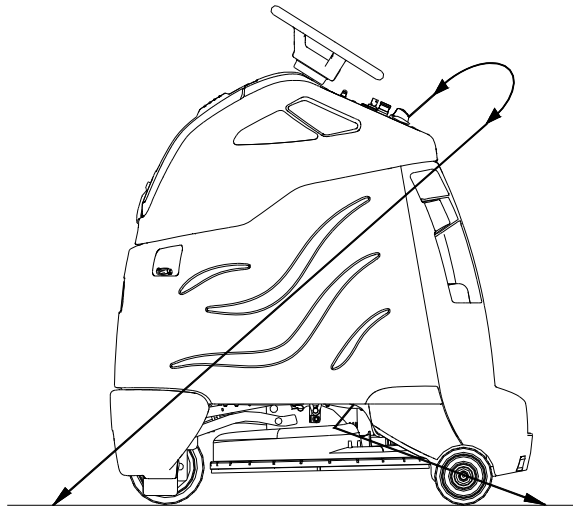
Preparación para la carga/descarga del remolque

La plataforma de la bruñidora debe estar levantada antes de cargar la máquina.

Si transporta la máquina en un remolque o un camión, además de utilizar amarres, asegúrese de bloquear los neumáticos para evitar que la máquina ruede.

Amarres de la máquina

Hay dos puntos de amarre ubicados en frente de las ruedas traseras en el bastidor y un punto de amarre en el panel trasero. Los dispositivos de amarre deben ser del tipo y fuerza adecuados. La fuerza combinada de todos los amarres debe ser suficiente para levantar el doble del peso de la máquina. Los amarres deben situarse de modo que la máquina no se mueva hacia delante, hacia atrás, o hacia los lados. Utilice las cuatro esquinas de la máquina con los amarres tirando en direcciones opuestas. Los amarres deben sujetarse de forma segura al vehículo de transporte.



Resolución de problemas

PROBLEMA	CAUSA	SOLUCIÓN
No hay función de la máquina.	La tapa de la consola está abierta.	Cierre la tapa de la consola
Máquina sin energía	Baterías desconectadas	Compruebe las conexiones de todos los cables de las baterías
	Desconexión de emergencia activada	Restaure
	Conexiones de las baterías corroídas	Limpie las conexiones
	Interruptor de contacto defectuoso	Sustituya el interruptor
	Las baterías no están conectadas	Conecte las baterías
	El cargador integrado está conectado	Desconecte y guarde el cable
Poca o ninguna propulsión	Baterías con poca carga	Cargue las baterías
	Se dispara el disyuntor	Restaure disyuntor del controlador
	El controlador protege al motor de una sobrecarga	El controlador limita el amperaje del motor Deje enfriar la unidad por unos minutos.
	La máquina está atascada con un obstáculo (umbral, cordón, etc.)	Quite el obstáculo o empuje la máquina lejos de éste.
	Controlador recalentado	Deje enfriar un tiempo
	Conexión del motor suelta	Controle los cables y las conexiones del controlador al motor
	Circuito del acelerador o potenciómetro defectuosos	Controle los cables y las conexiones de una resistencia del potenciómetro
	Palanca de propulsión desenganchada	Enganche la propulsión
La máquina no cambia de velocidad	Circuito o interruptor de control de velocidad defectuoso	Controle los cables y las conexiones
Sólo avanza hacia delante Sólo se desplaza marcha atrás	Circuito de marcha adelante/ marcha atrás defectuoso	Controle los cables y las conexiones
Se ilumina la luz del indicador de batería	La batería necesita carga	Cargue la batería
	El controlador indica un código de falla	Consulte la tabla de códigos de fallas

Mantenimiento

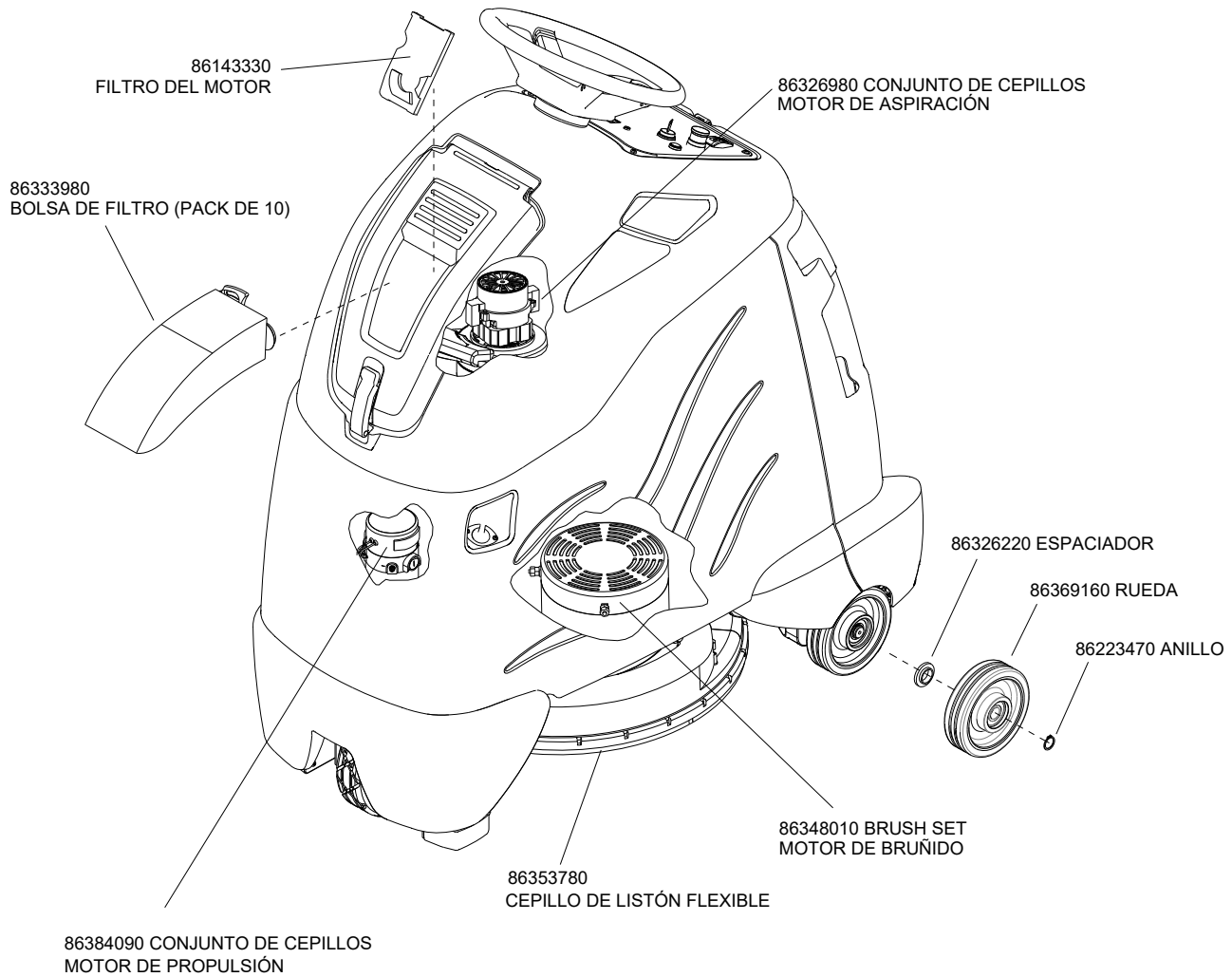
PROBLEMA	CAUSA	SOLUCIÓN
El motor de aspiración no funciona, o lo hace lentamente.	Circuito o interruptor de vacío defectuosos	Controle los cables y las conexiones
	Escobillas del motor de aspiración desgastadas	Sustituya las escobillas, compruebe el conmutador
	Disyuntor de aspiración disparado	Restaure disyuntor
Desempeño de bruñido inadecuado	Suciedad atrapada en la almohadilla	Quite la suciedad o cambie la almohadilla
	Almohadilla gastada	Reemplace o dé vuelta la almohadilla
	Uso de almohadilla inadecuada	Contacte con especialistas en el equipo o en las aplicaciones
	Baterías con poca carga	Cargue las baterías
El motor de la bruñidora no funciona, o lo hace lentamente.	Disyuntor disparado	Restaure disyuntor
	Baterías con poca carga	Cargue las baterías
	Circuito o motor de los cepillos defectuosos	Controle los cables, las conexiones y el motor
	Escobillas de motor de cepillos desgastadas	Sustituya las escobillas, compruebe el conmutador
La plataforma no baja	Disyuntor del accionador disparado	Restaure disyuntor del accionador

Resolución de problemas del indicador de descarga de las baterías

El indicador de batería se ilumina cuando hay un problema. La tabla a continuación lista de soluciones para los problemas indicados.

Número de luces	Problema	Solución
1	La batería necesita carga, hay una mala conexión a la batería o, según la programación, puede indicar que la función de bloqueo de la batería está activa y el controlador está en un modo de funcionamiento limitado. Compruebe las conexiones a la batería.	Si las conexiones son correctas, intente cargando la batería.
2	Hay una mala conexión al motor de propulsión.	Revise todas las conexiones entre el motor y el controlador.
3	El motor de propulsión está en cortocircuito con la conexión de la batería.	Póngase en contacto con su servicio técnico.
4	El nivel de carga de la batería ha caído por debajo del Nivel de bloqueo de la batería y el controlador impide la función del motor de la bruñidora.	Cargue la batería.
5	No se utiliza.	-
6	El controlador está inhibido para funcionar, esto puede suceder porque el cargador de batería está enchufado (solamente el cargador integrado).	Desconecte el cargador de la batería.
7	Se indica una falla en el acelerador.	Asegúrese de que el acelerador está en la posición de descanso antes de encender la máquina.
8	Se indica una falla en el controlador	Asegúrese de que todas las conexiones son seguras.
9	El freno de mano está mal conectado.	Compruebe las conexiones del motor y el freno de mano. Asegúrese de que las conexiones del controlador son seguras.
10	Se ha aplicado un voltaje excesivo para el controlador. Esto generalmente es causado por una mala conexión de la batería.	Revise las conexiones de la batería.
-	Parpadea una vez cada 5 segundos	Modo de suspensión, interruptor de contacto de ciclo

Sugerido De Piezas Sueltas





THANK YOU!
MERCI! ¡GRACIAS! DANKE!



Register your product and benefit from many advantages.

Enregistrez votre produit et bénéficiez de nombreux avantages.

Registre su producto y aproveche de muchas ventajas.

Registrieren Sie Ihr Produkt und Sie von vielen Vorteilen.

www.kaercher.com/welcome



Rate your product and tell us your opinion.

Évaluez votre produit et donnez-nous votre opinion.

Reseña su producto y díganos su opinión.

Bewerten Sie Ihr Produkt und sagen Sie uns Ihre Meinung.



www.kaercher.com/dealersearch

Kärcher North America
6398 N Kärcher Way
Aurora, CO 80019
Phone: +1 800 444-7654

