

OWNER'S MANUAL

SIDEWINDER 24" & 30"

Propane WorkSmart® Stripping Machine



WWW.AZTECPRODUCTS.COM

CALL 215-393-4700 TOLL FREE: 800-331-1423

201 COMMERCE DRIVE, MONTGOMERYVILLE, PA 18936

TABLE OF CONTENTS

TABLE OF CONTENTS	PG 2
INTRODUCTION	PG 3
SAFETY MESSAGE INFORMATION	PG 3
IMPORTANT SAFETY INSTRUCTIONS	PG 4
GUIDE TO GRAPHICAL SYMBOLS & PRODUCT LABELS	PG 4
GENERAL OPERATION SAFETY INFORMATION	PG 5-7
STORAGE AND HANDLING SAFETY INFORMATION	PG 8
RETAILER/DISTRIBUTOR CONTACT INFO	PG 8
MAINTENANCE SAFETY INFORMATION	PG 9
BEFORE OPERATION CHECKLIST	PG 10-11
SIDEWINDER OPERATION	PG 12-13
SIDEWINDER – GETTING STARTED	PG 14
STOPPING THE ENGINE	PG 15
SIDEWINDER CLEAN-UP	PG 15
TRANSPORTING THE MACHINE	PG 16
STORING THE MACHINE & PROPANE TANKS	PG 16
NOTES	PG 16
ENGINE MAINTENANCE SAFETY	PG 17
ENGINE MAINTENANCE METER	PG 17
TROUBLESHOOTING – ELEC SYSTEM & BRUSH DRIVE BELT	PG 18-19
ENGINE OIL & MAINTENANCE	PG 20-21
ENGINE MAINTENANCE SCHEDULE	PG 22
BATTERY START WIRING DIAGRAM	PG 22
TOUBLESHOOTING – ENGINE	PG 23
ENGINE TUNE UP SPECS	PG 23
SIDEWINDER QUICK START DIAGRAM	PG 24
SIDEWINDER WARNING LABEL LOCATIONS	PG 25
SIDEWINDER 30" BODY PARTS	PG 26
SIDEWINDER 30" UPPER DRIVE PARTS	PG 27
SIDEWINDER 30" LOWER DRIVE PARTS	PG 28
SIDEWINDER 24" BODY PARTS	PG 29
SIDEWINDER 24" UPPER DRIVE PARTS	PG 30
SIDEWINDER 24" LOWER DRIVE PARTS	PG 31
SIDEWINDER BRUSH OPTIONS	PG 32
SIDEWINDER PAD DRIVER SYSTEM	PG 32
SIDEWINDER PAD ASSEMBLY	PG 32
FUEL SYSTEM 12V STARTER PARTS LIST	PG 33
PUREPOWER 603cc ENGINE PARTS	PG 34
WARRANTY	PG 35

INTRODUCTION

Thank you for purchasing this Aztec Products, Inc. machine. You have purchased a quality product and we welcome you to the Aztec family. It is critically important to utilize proper training, understanding, maintenance and care for this product. Neglect of the Safety Messages, especially the **DANGER**, **WARNING**, **CAUTION** and **NOTICE** statements throughout this Owner's Manual may lead to serious injury or death, and/or cause damage to the floor and/or facility.

For best results from your Aztec machine, you must read and understand this Owner's Manual, and follow all operation guidelines and safety messages. Protect your **WARRANTY** by following all maintenance guidelines and keeping a dated log. If a problem should arise, consult an authorized Aztec service center.

All information in this Owner's Manual is up to date and based on the latest product information available at the time. Aztec Products, Inc. reserves the right to make changes at any time without notice or incurring obligation. This Owner's Manual and the maintenance log must be kept as a permanent part of the machine and remain with the machine if resold.

No part of this document may be copied or reproduced without written permission.

SAFETY MESSAGE INFORMATION

Your safety and the safety of others is very important. As the manufacturer, we have provided important safety messages throughout this manual and on the machine. The purpose of these safety messages is to prevent damage to you, your machine, the property, and/or the environment.

Please read and understand this information thoroughly. A safety message alerts you to potential hazards that could result in injury or death, and/or cause damage to the floor and/or facility. Each safety message is preceded by a universal safety alert symbol (!) and one of these safety words: **DANGER**, **WARNING**, **CAUTION**, or **NOTICE**. These signal words mean:

	DANGER indicates a hazardous situation which, if not avoided, will result in death or serious injury
	WARNING indicates a hazardous situation which, if not avoided, could result in death or serious injury.
	CAUTION indicates a hazardous situation which, if not avoided, could result in minor or moderate injury
	NOTICE is used to address practices not related to physical injury

IMPORTANT SAFETY INSTRUCTIONS

READ and UNDERSTAND all instructions and safety messages before operating this machine.

Follow the instructions given in this Owner's Manual and the training given by your supervisor for the safe operation of this machine. Failure to do so can result in personal injury and/or damage to the machine or property.

GUIDE TO GRAPHICAL SYMBOLS AND PRODUCT LABELS



DANGER, WARNING OR CAUTION; read all instructions before using



Hot surface – Do not touch



Wear hearing protection when operating



Wear safety goggles when operating



Switch "On" Position



Switch "Off" position

GENERAL OPERATION SAFETY INFORMATION

Liquefied petroleum gas (LPG or propane) is stored under pressure and must be handled in the proper manner to be safe. Observe the following safety messages to get the best performance, lowest emissions, and longest life out of your equipment.

NOTICE

The EPA has rated the PurePower by Aztec 603cc engine cleanest in the industry for CO (carbon monoxide) emissions. (Source: <https://www.epa.gov/compliance-and-fuel-economy-data/engine-certification-data#small-nrsi>).

DANGER

Because CO is always a byproduct of internal combustion engines, it is important to know the symptoms of CO exposure, which may include drowsiness, dizziness, nausea, vomiting, confusion, collapse, loss of consciousness and muscle weakness. If such symptoms occur during operation with this machine, immediately shut off the machine and go outside for fresh air. Have a qualified service technician test the machine for CO emissions before using again. Call for emergency medical attention and DO NOT operate this machine or other propane powered equipment until cleared by a physician. For more info on CO exposure effects, see <http://www.mayoclinic.org/diseases-conditions/carbon-monoxide/basics/symptoms/con-20025444>.

DANGER

No smoking, no sparks, no flames near machine, engine or LPG tank. Do not operate this machine in an environment with a potential ignition source.

DANGER

If you smell gas: immediately stop the unit, check for leaks, open windows, don't touch electrical switches, extinguish any open flames, and contact a repair professional.

DANGER

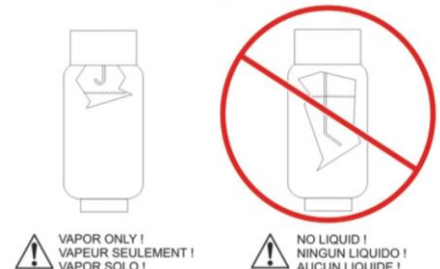
Never change or alter the propane control equipment. It is precisely tuned to power machinery with minimal levels of carbon monoxide. Altering the control equipment could cause dangerous levels of engine emissions.

DANGER

Effective January 1, 2016, all Aztec Products, Inc. machinery is shipped with propane tank equipped with Overfill Protection Device (OPD). If you have an older LPG cylinder that is overfilled, always vent outdoors, away from closed areas where gas may accumulate, and away from any fire, flame, or spark-producing device. Use a screwdriver to vent excess propane, which escapes as a white mist until at proper level in tank. Propane will vent clear when correct tank level has been achieved.

DANGER

All Aztec propane powered machines are designed specifically for use with a 20 lb (5 gallon) vertical vapor withdrawal propane cylinder. Use of a different configuration cylinder or liquid withdrawal cylinder is dangerous and could cause fire or explosion, and will void the warranty.



⚠️ WARNING

Operate only in well ventilated areas. Buildings must be provided with:

- A. A continuous mechanical ventilation that removes the products of combustion to the outdoors of not less than 300 CFM for each 10,000 BTUH or fraction thereof; or
- B. Natural ventilation of not less than 300 CFM for each 10,000 BTUH input or fraction thereof, based on a maximum of one-quarter air exchange per hour for the net building volume.

⚠️ WARNING

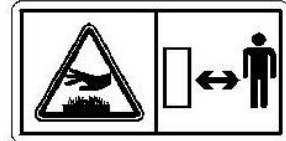
Keep hands and feet clear of moving parts to avoid injury.

⚠️ WARNING

Although this PurePower engine is equipped with a catalytic muffler for safety, its exhaust may still contain trace amounts of poisonous CO (carbon monoxide) gas and/or chemicals known in the state of California to cause cancer, birth defects or other reproductive harm. Do not run the engine without adequate ventilation.

**⚠️ WARNING**

HOT MUFFLER CAN BURN YOU. Stay away if engine has been running.

**⚠️ CAUTION**

Muffler is HOT. Keep all heat sensitive objects away from the exhaust system during and after operation. Damage can occur to the machine, furniture, buildings and/or personal injury.

⚠️ CAUTION

Never let an untrained or irresponsible person operate the machine. They may hurt themselves and/or damage the floor or other property.

⚠️ CAUTION

Always check oil before attempting to start engine. Low oil may result in serious and expensive engine damage.

⚠️ CAUTION

Never complete the connection of the propane tank to the machine by using a tool; always tighten and loosen by hand. Use of tools to tighten or loosen tank connection may result in damage to tank valve and insecure connection. Listen for the rush of fuel to the lock-out device when you open the tank valve. If you hear this, it will indicate that a good connection has been made at the tank.

⚠ CAUTION

Do not leave this machine unattended while the engine is running. Damage to floor surface or other property may occur and fumes may accumulate.

⚠ CAUTION

Do not operate machine in a stationery spot for more than a few seconds. Machine is designed to be moved continuously forward at a measured pace. Stationary operation will result in damage to floor surface.

⚠ CAUTION

When the LPG tank is attached to the machine and not running, the tank valve must be in CLOSED position.

NOTICE

Using the electric starter for more than 10 seconds at a time will overheat the starter motor and can damage it.

NOTICE

As of July 1, 2015, Aztec will no longer continue to stock parts, nor provide repairs on fiberglass body stripping equipment. This owner's manual is written for the steel body Sidewinder. You may download the older fiberglass body owner's manual on our [website](#).

NOTICE

A "NO SMOKING" sign should be permanently displayed at the storage area.

NOTICE

Do not remove machine/engine labels and/or WARNING stickers on machine or engine. If any labels or stickers come lose, call Aztec at (800) 331-1423 for replacement.

NOTICE

Do not allow children to operate the machine. Keep children and pets away from the area of operation.

STORAGE AND HANDLING SAFETY INFORMATION

⚠ DANGER

Always store equipment away from heater rooms, boilers, gas-fired water heaters or any other source of open flame or ignition. The exhaust system will be very hot and takes several minutes to cool, so keep yourself and all materials clear.

⚠ DANGER

Always store equipment away from possible damage by falling objects in warehouse-type areas.

⚠ DANGER

Always store LPG tanks outside. Remove all propane tanks from inside building except during equipment use. Store them in a secure, well ventilated area.

⚠ CAUTION

If the engine has been running, allow it to cool for at least 15 minutes before loading the engine-powered equipment onto the transport vehicle. A hot engine and exhaust system can burn you and can ignite some materials.

NOTICE

This propane-powered machine is intended for commercial use.

NOTICE

Safety is a full-time, every day job. Follow all information posted on the machine and the LPG tank. Never allow anyone untrained to operate this machine, and who has not read or cannot understand the given instructions.

RETAILER/DISTRIBUTOR CONTACT INFO

PURCHASE DATE:

DISTRIBUTOR NAME:

DISTRIBUTOR PHONE NUMBER(S):

PROTECT YOUR WARRANTY!

Read carefully; all questions regarding the care and safety of this equipment, please call AZTEC PRODUCTS: (800) 331-1423

MAINTENANCE SAFETY INFORMATION

⚠ WARNING

Machine should only be tipped back for service if properly turned OFF, in a safe environment and positioned on a flat surface. Do not tilt machine on its side; damage can occur to the machine, furniture, buildings and/or personal injury.

⚠ WARNING

Before attempting any service or maintenance, the engine switch must be in the OFF position and the propane tank valve must be in CLOSED position.

⚠ CAUTION

Because of the weight of this machine, a second person should assist the tilting back of the machine before any work is done on the underside of the machine.

⚠ CAUTION

Do not use the "T" handle as a lever when attempting to tilt back machine for service or cleaning. The "T" handle is designed for control during operation only. To tilt back machine, place one foot on the propane tank base bar, one hand on the handle base, and one hand on the "T" handle. Pull back and down from the handle base, and push down with your foot, using the "T" handle only to control lateral motion.

NOTICE

The manufacturer's warranty will be voided if the machine is not maintained in accordance with this manual's recommended maintenance instructions and the engine manufacturer's recommended maintenance procedures. Failure to do so may cause damage to the machine, equipment, furniture, buildings and/or personal injury.

NOTICE

An abbreviated, quick reference schedule of the manufacturer's suggested maintenance is on the underside of the handle. This abbreviated schedule is for quick reference only and is not intended to replace the full maintenance schedule in the Owner's Manual.

NOTICE

A maintenance record must be kept, indicating all dates of service, hours on engine at time of service, and service performed in order to maintain manufacturer's warranty coverage. Perfect record keeping does not guarantee warranty coverage if the damage to the machine is non-warrantable. See warranty coverage policy details at the end of this Owner's Manual. The maintenance record must be kept with the machine and transferred to the new owner if resold.

BEFORE OPERATION CHECKLIST

For your safety, to ensure compliance with environmental regulations, and to maximize the service life of your equipment, it is very important to take a few minutes before you operate this machine to check its condition. Be sure to take care of any problem you find, or have your service dealer correct it before you operate this machine.

WARNING

Improperly maintaining this machine and its engine, or failure to correct a problem before operation, may cause a malfunction and elevated emission levels. Always perform a pre-operation inspection before each use, and correct any problem.

WARNING

Avoid use in areas with floor obstruction such as thresholds and floor outlet boxes. Avoid use in areas with loose debris or small objects that may become caught in the rotating pad.

Before beginning your Before Operation Checklist, the machine and engine must be on a level surface, with the engine switch in the OFF position, and the propane tank valve is in the CLOSED position. Always check the following items before you start the engine:

A. READ AND UNDERSTAND ALL SAFETY MESSAGES

Carefully read and understand the **SAFETY INSTRUCTIONS** on pages 3-9.

B. CHECK THE GENERAL CONDITION OF THE MACHINE:

- 1.) Look around and underneath the machine and engine for signs of oil leaks.
- 2.) Remove any excessive dirt or debris, especially around the muffler and recoil starter.
- 3.) Look for signs of damage.
- 4.) Check that all shields and covers are in place, and all nuts, bolts and screws are tightened.
- 5.) Address all of the above issues before proceeding.

C. CHECK THE ENGINE:

- 1.) Check the engine oil level and filters. Running the engine with a low oil level can cause engine damage. Your first oil change should be after the first 8 hours of use.
- 2.) Check the air filter element. A dirty air filter element will restrict air flow to the carburetor, reducing engine performance and potentially increasing harmful engine emissions.

D. CHECK THE MAINTENANCE SCHEDULE

All machines are equipped with a multi-function maintenance meter. The functions include the following: hour meter, service alert and tachometer. (See **ENGINE MAINTENANCE METER** instructions on pg 17).

E. CHECK THE ENGINE OIL

Make sure the machine is level when checking the oil. Always take two (2) readings of the dipstick before adding oil. If the oil level is below the full mark, add just enough oil to the engine to bring the oil level up to the full mark. Never over fill. Check for foreign material on the dipstick.

F. CHECK THE PROPANE/LPG TANK AND LINES:

- 1.) Every tank has been pressure and leak tested. However, every time a tank is filled and/or connected to the machine it should be soap tested. All LPG lines must be pressurized and every inch of line and connections must be sprayed. If you find a leak, make the proper repairs before operating the machine.
- 2.) Never overfill the LPG tank. The LPG tank is designed to hold a maximum of 20 pounds of propane. Make sure to weigh the tank as it is being filled. The gross weight of a full tank should not exceed 48 pounds. If, while operating the machine, you notice frost forming on the LPG lines or the regulator, your tank has been over filled. If you continue to operate the machine in this condition, damage will occur. The excess propane in the tank must be removed before normal operations resume. The bleeding of a propane tank must be done in a safe manner; refer to the **GENERAL OPERATION SAFETY INFORMATION** on pages 3-8. In some cases, the regulator must defrost before restarting the engine.
- 3.) To connect the high pressure hose to the LPG tank, make sure the couplers are in line and screwed together, hand tight. If this is not done properly, fuel will not pass through to the regulator. Never complete the connection of the tanks to the machine by using a tool.

SIDEWINDER OPERATION

This ultra-high speed VCT (vinyl composite tile) stripping and scrubbing machine is designed for superior performance and long term durability. It includes a heavy-duty German engineered, precision centrifugal clutch that will substantially increase the belt life. No application, other than ultra-high speed VCT stripping and scrubbing, should be attempted nor is recommended. Call Aztec (800) 331-1423 for any additional application questions.

First, refer to the **SAFETY INFORMATION** on pages 3-8, and complete the **BEFORE OPERATION CHECKLIST** on page 10-11.

WARNING

Never tilt back machine while engine is running. Objects may fly out from underside of machine and damage can occur to the machine, furniture, buildings and/or personal injury.

WARNING

The engine and exhaust become very hot during operation. Keep the engine at least 1 meter (3 feet) away from buildings and other equipment. Keep flammable materials away, and do not place anything on the engine while it is running.

CAUTION

Factory engine speed is set at approximately 3400 RPM. Tampering with the settings will void the warranty and injury can result. Refer to the equipment specifications.

CAUTION

Continuous exposure to high noise levels can cause hearing loss. Although not required by OSHA based on engine volume, hearing protection is recommended while the machine is in operation. In compliance with OSHA regulations, the operational weighted sound level of this machine is less than 89dB(A).

NOTICE

Prolonged exposure to machine vibration may cause tingling or numbness in the fingers and hands. Use of gloves and limits to operator vibration exposure are recommended to prevent such symptoms. The operational hand/arm vibration level of this machine is less than 2.5m/s².

NOTICE

Per OSHA standards, ear protection is not required, but is suggested during operation.

NOTICE

All machines are equipped with tamper proof fuel systems. If a fuel problem exists, contact an authorized service center.

NOTICE

All machines are equipped with a multi-function maintenance meter. The functions include the following: hours, service alert and tachometer; see **ENGINE MAINTENANCE METER** instructions on pg 17.

NOTICE

Do not use this machine on surfaces with a gradient exceeding 2%.

NOTICE

This machine is supplied with a centrifugal clutch. When the engine RPM is lower than 1800 RPM, the clutch will disengage; brush/pad will stop.

NOTICE

Your new propane powered machine includes a new, empty, vertical LPG propane tank with OPD (Overfill Prevention Device). This is a safety shutoff device incorporated into the filling valve of the propane tank. The OPD valve is designed to prevent cylinder overfilling in excess of the cylinder's maximum permitted filling limit. This valve is provided by the LPG tank manufacturer and may malfunction. The OPD is not to be relied upon in filling the LPG tank; the propane tank is to be filled by weight or by use of a fixed liquid level gauge. The OPD is a backup safety device only.

NOTICE

Your new machine has a Carbon Monoxide (CO) detection badge; please keep in mind the following important notes about this CO sensor:

- * Once opened, the CO detection badge will expire in 90 days, so write the open date on the badge when installing on your machine.
- * The CO detection badge is individually wrapped and must be unwrapped for detector to function.
- * To apply, simply unwrap the badge, remove the orange backing and apply to the handle assembly of your propane machine, somewhere easily visible to the operator.
- * The CO detection badge is a passive carbon monoxide detector and can detect as little as 100 parts per million (ppm) carbon monoxide gas at an approximate relative humidity range of 33 to 50%. If the humidity is very high it can detect concentrations as low as 20ppm.
- * If CO is present in the area, the circle indicator will change color (from orange-red to red-brown, and then to gray-black as the concentration levels increase).
- * Once the CO detection badge is exposed to fresh air it will return back to orange-red and may be reused.
- * There is no alarm function and requires no power, but must be visible and seen to determine whether CO is present in the area.
- * The CO detection badge will be inactivated and damaged by the presence of halogens (iodine, chlorine, bromine), and ammoniac or nitrous gases.

SIDEWINDER – GETTING STARTED

⚠ CAUTION

Strip brushes and pad drivers are LEFT hand threaded. Turn clockwise to loosen, and counter-clockwise to tighten. Turning bolts in the wrong direction will shear the bolt head and damage the machine.

⚠ CAUTION

Do not remove tape from strip brushes. Removing the tape from the strip brush reduces the brush life and effectiveness.

NOTICE

Responsibly dispose of used pads and brushes; always dispose of old materials with the environment in mind.

NOTICE

Never “flip” a pad. Keep the same side down throughout the life of the pad. Even after a pad is cleaned, you can tell the down side by the centering ring indentation. This practice will increase the pad life and help maintain a properly functioning pad driver.

- 1.) Complete the **BEFORE OPERATION CHECKLIST** on pages 10-11, and refer to **OPERATION** on pgs 12-13.
- 2.) To install scrub pads or strip brushes, tilt machine back and secure in place. To tilt back the machine safely, refer to **TRANSPORTING THE MACHINE** on pg 16.
- 3.) Once the machine is securely tipped back in position, remove the pads. Remove and responsibly dispose of the old pads. Be sure to center the new pad in the center of the pad holders. For brushes, turn clockwise to remove, and counter clockwise to install new brushes.
- 4.) Return machine back to level position before proceeding.
- 5.) Adjust the machine handle to comfortable position using pin provided to secure in place.
- 6.) Open the LPG tank valve by turning counter clockwise.
- 7.) Set the throttle control switch to the SLOW position.
- 8.) Turn the key switch to the “START” position until engine starts. Starter should not be engaged for more than 10 seconds at a time. Using the electric starter for more than 10 seconds at a time will overheat the starter motor and can damage it. If hard starting is a problem, carefully review **BEFORE OPERATION CHECKLIST** pages 10-11. As soon as the engine starts, move throttle cable into desired engine speed.
- 9.) Follow the machine in a moderate walking speed; keep moving forward.
- 10.) When the job is complete, the Sidewinder must be cleaned. See **MACHINE CLEAN UP** steps on page 15. Always clean and maintain your equipment, and keep accurate records of service and maintenance to maintain the warranty. Refer to the **MAINTENANCE SCHEDULE** on pg 22.
- 11.) To properly store equipment, refer to the **STORAGE AND HANDLING SAFETY INFORMATION** on pg 8.

STOPPING THE ENGINE

Turn the propane tank valve clockwise to CLOSED position and turn the engine key to OFF position. Refer to **TRANSPORTING THE MACHINE** on pg 16, and **MACHINE CLEAN-UP** and **STORING THE MACHINE & PROPANE TANKS** on pg 18.

SIDEWINDER CLEAN UP

Refer to the **SAFETY INFORMATION** on pages 3-9. Once the job is complete for the day/night, clean up is required. The manufacturer's and engine warranty will be voided if the equipment is not properly maintained. Clean the entire machine after each use:

- A. Turn the propane tank valve clockwise to CLOSED position and turn the engine key to OFF position.
- B. Refer to **TRANSPORTING THE MACHINE** steps on pg 16 to properly tilt back and secure machine.
- C. Check the machine for possible loose nuts and bolts; tighten and secure as needed.
- D. Rinse around splash skirt and body of machine. Rinse the underside of the machine, including the underside and top side of the main drive unit. Do not spray water inside main drive unit through the brush bolt openings. The outside of the drum should be completely free of any contaminants.
- E. The Foam Hat, or engine dust filter, should be removed and cleaned periodically by shaking out the accumulated dust and rinsing with water and a mild detergent. Squeeze out the excess water. Allow the filter to air dry before replacing. Failure to keep the engine dust filter clean may result in engine overheating.
- F. All air and oil filters should be cleaned.
- G. Return the machine to leveled operating position, then start engine and run machine for 2-3 minutes to expel any excess water.

CAUTION

When cleaning the machine, avoid getting water around the engine and battery. Water may cause damage to the engine and/or battery unit.

TRANSPORTING THE MACHINE

CAUTION

The Sidewinder must be secured on a level surface when transporting in a vehicle. Once the machine is loaded into the transport vehicle, **remove and store the transport wheel on the top deck of the machine**. Secure the machine in the vehicle so it cannot move or bounce during transporting; damage may occur to the machine and/or the vehicle and surrounding objects. **Failure to follow these guidelines will void your warranty.**

First, refer to the **SAFETY INFORMATION** on pages 3-9. Refer to **SIDEWINDER CLEAN UP** above. The machine must be on a level surface, with the engine switch in the OFF position, and the propane tank valve in the CLOSED position. The manufacturer and engine warranty will be voided if the equipment is not properly maintained.

- 1.) Remove the propane tank from the machine, or disconnect the connection and securely fasten tank to machine. Adjust handle of machine to comfortable position to tilt back.
- 2.) To tilt back the machine, place one foot on the propane tank base bar, one hand on the handle base, and one hand on the "T" handle. Pull back and down from the handle base, and push down with your foot, using the "T" handle only to control lateral motion.
- 3.) Once secured in a tilted back position, insert transport wheel and secure with pin provided. Push machine forward, to desired location, unless loading machine up on a ramp into a vehicle. When loading up a ramp into a vehicle, the machine should be pulled back rather than pushed forward, to prevent tipping over. Return and secure transport wheel to storage slot on top deck of the machine when not in use, and when the machine is being transported in a vehicle.

STORING THE MACHINE AND PROPANE TANKS

Once the job is complete for the day/night, remove the propane tank from the machine and store the tank in a well ventilated approved area. Store your machine in a safe and secure area. Refer to the **SAFETY INFORMATION** on pages 3-9. Also refer to **TRANSPORTING THE MACHINE** on pg 16, and **MACHINE CLEAN-UP** on pg 15.

NOTES

ENGINE MAINTENANCE SAFETY

Some of the most important safety precautions follow. However, we cannot warn you of every conceivable hazard that can arise in performing maintenance. Only you can decide whether or not you should perform a given task. Consistent maintenance is essential for safe, economical and trouble-free operation. It will also help reduce pollution.

WARNING

Improper maintenance, or failure to correct a problem before operation, can cause a malfunction in which you can be seriously hurt. Always follow the inspection and maintenance recommendations and schedules in this Owner's Manual.

To properly care for and maintain your machine and its engine, follow the recommended engine maintenance schedule, routine inspection procedures and simple maintenance procedures using basic hand tools. Other service tasks that are more difficult, or require special tools, are best handled by professionals and are normally performed by an authorized technician or other qualified mechanic.

The maintenance schedule applies to normal operating conditions. If you operate your engine under severe conditions, such as sustained high-load or high temperature operation, or use in unusually wet or dusty conditions, consult an authorized service center for recommendations applicable to your individual needs and use.

Maintenance, replacement, or repair of the emission control devices and systems may be performed by an engine repair establishment or individual, using parts that are "certified" to EPA standards.

ENGINE MAINTENANCE METER

This multi-function meter acts as a preventive maintenance tool, which benefits you with increased fuel economy, less down-time and longer engine life.

The meter displays are:

- **Hour Meter:** Displays total run hours when machine is off.
- **Tachometer:** Indicates engine RPM during operation.
- **Service Alert:** The display flashes to alert you to lube and change the oil at 25 hour intervals. After the service is complete, the meter can be reset by pushing the reset button on the face of the meter. Therefore, it is recommended that a separate maintenance log be kept to track of oil changes.

EMISSION CONTROL SYSTEM INFORMATION

PurePower™ by Aztec utilizes lean carburetor settings and other systems to reduce the emissions of carbon monoxide, oxides of nitrogen, and hydrocarbons.

Tampering and Altering

Tampering with or altering the emission control system may increase emissions beyond the legal limit. Among those acts that constitute tampering are:

- Removal or alteration of any part of the intake, fuel, or exhaust systems.
- Altering or defeating the governor linkage or speed-adjusting mechanism to cause the engine to operate outside its design parameters.

TROUBLESHOOTING - ELECTRICAL SYSTEM

WARNING

Always wear a face shield, safety glasses and protective clothing when working around a battery. The gases can be explosive and the acid is highly corrosive to metals, cloth and ALL HUMAN TISSUE (skin, eyes, etc.).

NOTICE

Safety first. Contact an authorized service center as needed.

- Check all wire connections for obvious problems. Remove propane tank, then remove battery box cover. Check all connections visibly and physically. If any “loose”, damaged or unconnected wires are noticed, replace or repair as needed.
- Check the battery posts and wires. If the battery post(s) are corroded, remove the wires and clean posts and wires. Applying some axle grease on the posts of the battery after they are cleaned will slow down the battery corrosion process. If nothing obvious is noted, a more detailed investigation is warranted. Before any such troubleshooting begins, the following things should be done:
 - Replace propane tank with one from a machine that runs.
 - Charge the battery or provide an absolute source of 12-volt DC power capable of 50 amperes total output. Jumper cables from a car or truck battery will suffice. Use a 12-volt test light.
- If the problem appears to be in the electrical control equipment, disconnect the starter from the system so as to check the system without spinning the engine.
- Battery rundown is a common problem. An engine key left in the ON position when engine is turned OFF will result in battery running down.

TROUBLESHOOTING – ENGINE BELT & BRUSH DRIVE BELT

NOTICE

Safety first. Contact an authorized service center as needed. Refer to the **SAFETY INFORMATION** on pages 3-9 .

If the engine runs but the drive unit will not engage, this is usually related to the Engine Belt or the Belt Tension Spring. Without removing the drive unit you can check and fix the following:

- 1) Remove the four (4) 3/8" bolts holding the belt cover to the body. Remove the 3/8" bolt holding the Muffler Bracket to the Belt Cover. Check if the Belt Tension Spring is attached to the bolt located on the Idler Spring Plate on the body. Refer to the Upper Drive diagram on page 26 (for the 30" Sidewinder) or page 29 (for the 24" Sidewinder).
- 2) Check to see if the Engine Belt has come off the Input Pulley or Centrifugal Clutch. If so, carefully raise front of machine off the floor to install the belt back onto the pulley. To safely tip back and secure the machine, refer to **TRANSPORTING THE MACHINE** on pg 16.

NOTICE

If the Engine Belt comes off again it is probably worn or stretched and in need of replacement. To order a replacement, contact Aztec Customer Service: (800) 331-1423. Always dispose of old materials responsibly.

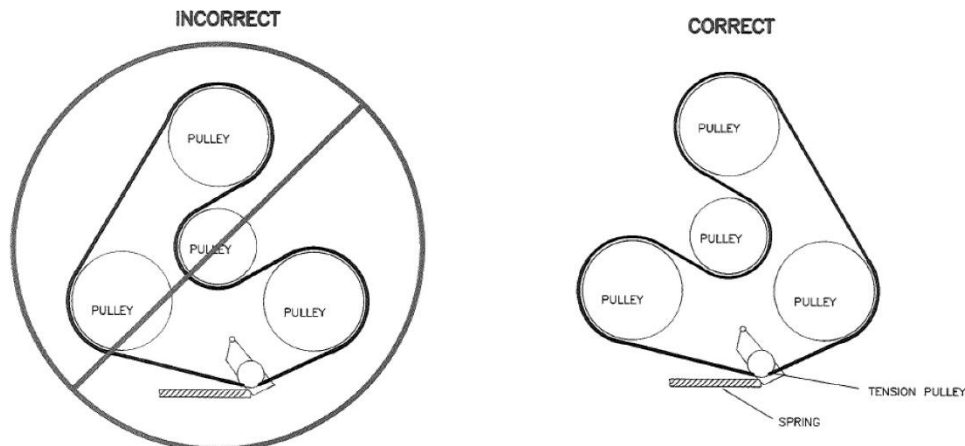
If further investigation is required, you will need to remove the drive unit:

- 3.) To replace the Engine Belt, remove old or worn belt and replace them with the new ones.
 - a. Remove one end of the Belt Tension Spring to aid in installation of new belt. Check for wear on the springs and their catches.
- 4.) Slide the Belt Cover back into place and insert four (4) 3/8" bolts into belt cover (hand tighten only). Insert the 3/8" bolt into Muffler Bracket and Belt Cover, then tighten all five (5) 3/8" bolts.

To change the Brush Drive Belt:

- 1.) Refer to step one above.
- 2.) Remove three (3) bolts on the right side of upper deck (use a 3/4" wrench). Slowly raise front of machine off the floor. Refer to **TRANSPORTING THE MACHINE** on pg 16.
- 3.) Remove Input Boom Pulley and Head Support Boom Arm from above the Brush Drive by using the two 3/4" wrenches—sliding one 3/4" wrench below the pillow block bearing, and the other wrench in the slot above the Pillow Block Bearing; unscrew the two shafts apart.
- 4.) Remove the six (6) bolts from the bottom side of Brush Drive and split Brush Drive Top Pan and Brush Drive Plate.
- 5.) Remove worn belt and replace. See diagram below for proper belt installation.
- 6.) It is a good idea at this time to check the Tension Spring, Belt, Bearings and the Idler for damage and replace them if necessary.

Once the brush belt drive has been replaced, reassemble following the above steps in reverse.



ENGINE OIL AND MAINTENANCE

▲WARNING

Hot engine oil can cause severe burns. Allow engine temperature to drop from hot to warm level before attempting to remove oil filter.

▲WARNING

Check the engine oil daily before starting the engine, otherwise shortage of the engine oil may cause serious damage to the engine such as seizure.

▲WARNING

Engine oil is a toxic substance. Dispose of used oil properly. Contact local authorities for approved disposal methods or possible recycling.

Refer to the **SAFETY INFORMATION** on pages 3-8. Also refer to the **BEFORE OPERATION CHECKLIST** on pages 10-11 before operating this machine. Then carefully follow these guidelines:

A.) RECOMMENDED OIL

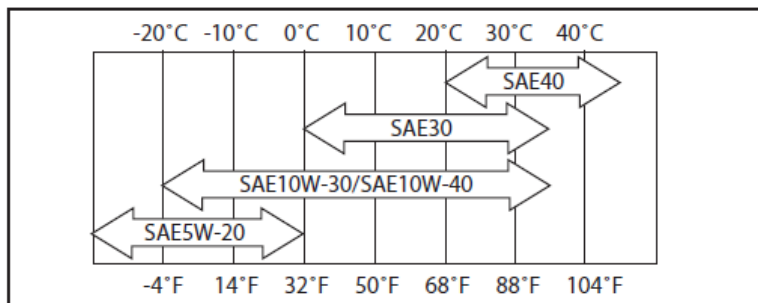
The following engine oils are recommended: **API Service Classification: SF, SG, SH, or SJ.**

B.) CHECK THE OIL

- 1) To check the oil, the engine should be turned OFF, and the machine should be on a level surface.
- 2) Clean the area around the oil gauge before removing it.
- 3) Remove the oil gauge and wipe it with a clean cloth.
- 4) Pour the oil slowly to "FULL" mark on the oil gauge.
- 5) Insert the oil gauge into the tube WITHOUT SCREWING IT IN.
- 6) Remove the oil gauge to check the oil level. The oil level should be between "ADD" and "FULL" marks. Do not overfill.
- 7) Install and tighten the oil gauge.

C.) OIL VISCOSITY

Choose the viscosity according to the temperature as follows:



NOTICE

Using multi-grade oils (5W-20, 10W-30, and 10W-40) will increase oil consumption. Check oil level more frequently when using them.

D.) ENGINE OIL CAPACITY:

FS481V 1.5 l (1.6 US qt) when oil filter is not removed

E.) OIL CHANGES

Change oil after first 8 hours of operation. Thereafter change oil every 50 hours. Refer to the **PUREPOWER ENGINE MAINTENANCE SCHEDULE** on pg 22.

- Run the engine to warm oil.
- Be sure the engine (equipment) is level.
- Stop the engine.
- Open the oil drain valve and drain the oil into suitable container while engine is warm.

F.) OIL DRAIN PLUG

- Close the oil drain valve.
- Remove oil gauge and refill with fresh oil (See **RECOMMENDED OIL** on page 19).
- Check the oil level (refer to the **BEFORE OPERATION CHECKLIST** on pages 10-11 for **OIL LEVEL CHECK**). Also, refer to the **PUREPOWER ENGINE MAINTENANCE SCHEDULE** on pg 22.

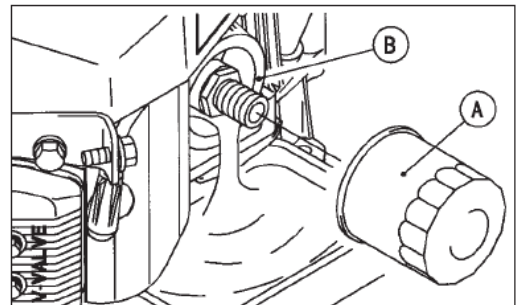
G.) OIL FILTER CHANGE

Change the oil filter every 100 hours of operation. Refer to the **PUREPOWER ENGINE MAINTENANCE SCHEDULE** on pg 22.

CAUTION

Before removing the oil filter, place a suitable pan under filter connection.

- Drain engine oil into a suitable container.
- Rotate the oil filter (A) counterclockwise to remove it.
- Coat a film of clean engine oil on seal of new filter.
- Install new filter rotating it clockwise until seal contacts mounting surface (B). Then rotate filter 3/4 turn more by hand.
- Supply engine oil as specified.
- Run the engine for about 3 minutes, stop engine, and check oil leakage around the filter.
- Add oil to compensate for oil level drop due to oil filter capacity (refer to the **BEFORE OPERATION CHECKLIST** on pages 10-11 for **OIL LEVEL CHECK**).



PUREPOWER BY AZTEC ENGINE MAINTENANCE SCHEDULE

MAINTENANCE	INTERVAL						
	Daily	First 8 hr.	Every 25 Hr.	Every 50 hr.	Every 100 hr.	Every 200 hr.	Every 300 hr.
Check and add engine oil	•						
Check for loose or lost nuts and screws	•						
Check for fuel and oil leakage	•						
Check battery electrolyte level	•						
Check or clean air intake screen	•						
Clean air cleaner foam element			•				
Clean air cleaner paper element				•			
Clean dust and dirt from cylinder and cylinder head fins					•		
Tighten nuts and screws					•		
Change engine oil		•		•			
Clean and gap spark plugs					•		
Change oil filter					•		
Replace air cleaner paper element					•		
Clean combustion chambers							•
Clean and adjust valve clearance				•*			•
Clean and lap valve seating surface							•

*After the 1st 50 hours

NOTICE

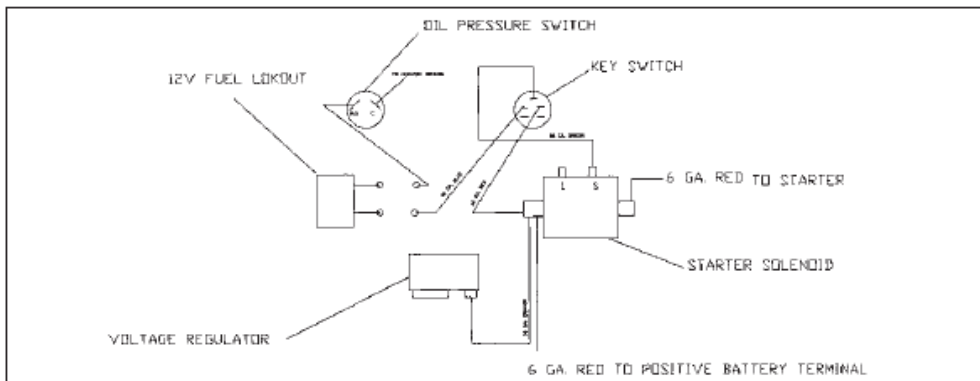
Failure to follow the above maintenance schedule could result in non-warrantable failures.

NOTICE

An authorized Kawasaki servicing dealer knows your engine best and is fully equipped to maintain and repair it. To ensure the best quality and reliability, use only new genuine Kawasaki parts or their equivalents for repair and replacement.

Follow this **MAINTENANCE SCHEDULE**. Remember that this schedule is based on the assumption that your machine will be used for its designed purpose. Sustained high-load or high-temperature operation, or use in unusually wet or dusty conditions, will require more frequent service.

KAWASAKI ENGINE BATTERY START WIRING DIAGRAM



TROUBLESHOOTING - ENGINE

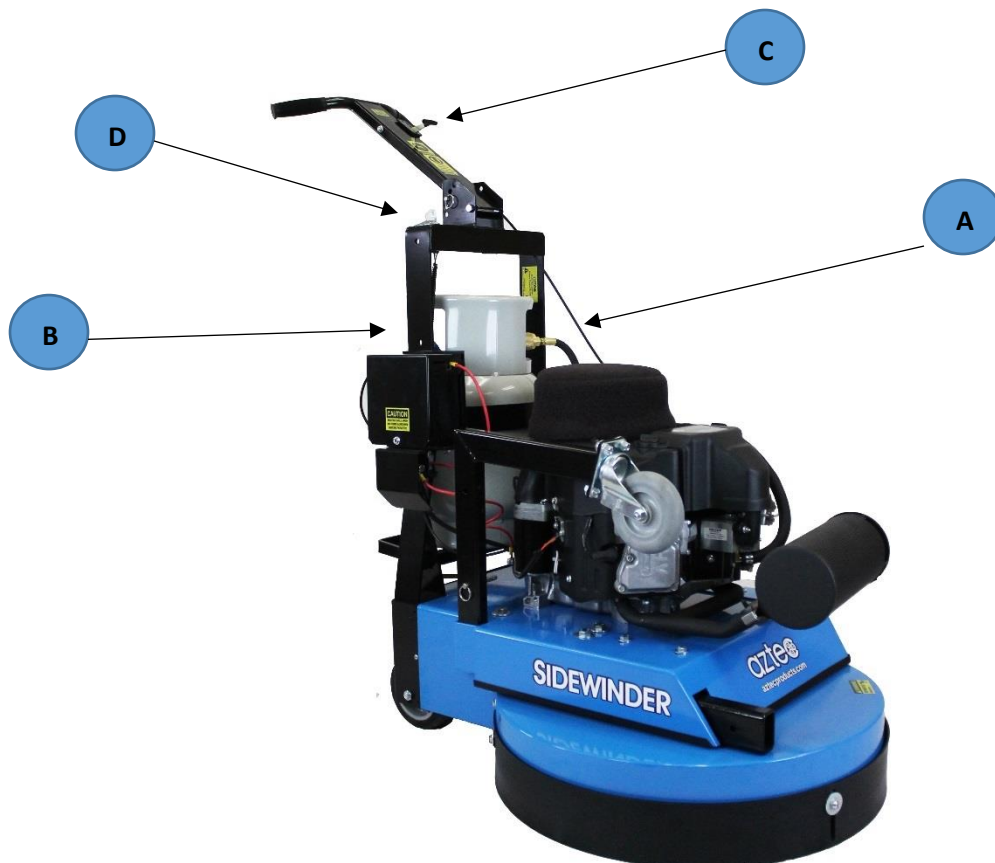
COMMON PROBLEMS & PROBABLE CAUSES	SOLUTIONS
Engine cranks but will not start: Propane tank is empty Shutoff valve is closed Clogged, obstructed, kinked or cut fuel or vacuum line Spark plug lead disconnected Faulty ignition coil Faulty kill switch Faulty regulator	Refill propane tank Open valve Remove obstruction or replace line Connect lead to spark plug Replace ignition coil Replace switch Replace regulator
Engine starts hard: Faulty choke or throttle settings Clogged, obstructed, kinked or cut fuel or vacuum line Faulty regulator Low compression	Set controls to correct position Remove obstruction or replace line Replace regulator Have engine serviced by a trained technician
Engine will not crank: Battery is discharged Loose or faulty connections or wires Faulty ignition key switch or starter control switch	Charge or replace battery Tighten, repair or replace wires Repair or replace switch(es)
Engine overheats: Incorrect fuel settings Air intake filter screen or cooling fins clogged Low oil level	Have engine serviced by a trained technician Clean and clear debris or replace filter Check and add oil
Exhaust emissions or propane odor: Carburetor or regulator setting incorrect Dirty or clogged air filter Loose fittings, clamps or hoses cracked, hoses cut or leaking	Have engine serviced by a trained technician Replace air filter Tighten or seal; check with soap and water solution, if bubbles appear, part is still leaking; replace

PUREPOWER ENGINE TUNE-UP SPECIFICATIONS

ITEM	SPECIFICATIONS
Ignition Timing	Non-adjustable
Spark Plugs (gap)	NGK BPR4ES (.028 in)
Low Idle Speed	1500 RPM
High Idle Speed	3400 RPM
Valve Clearance	IN: 0.10-0.15 mm (0.004-0.006 in) EX: 0.10-0.15 mm (0.004-0.006 in)

AZTEC SIDEWINDER QUICK START GUIDE

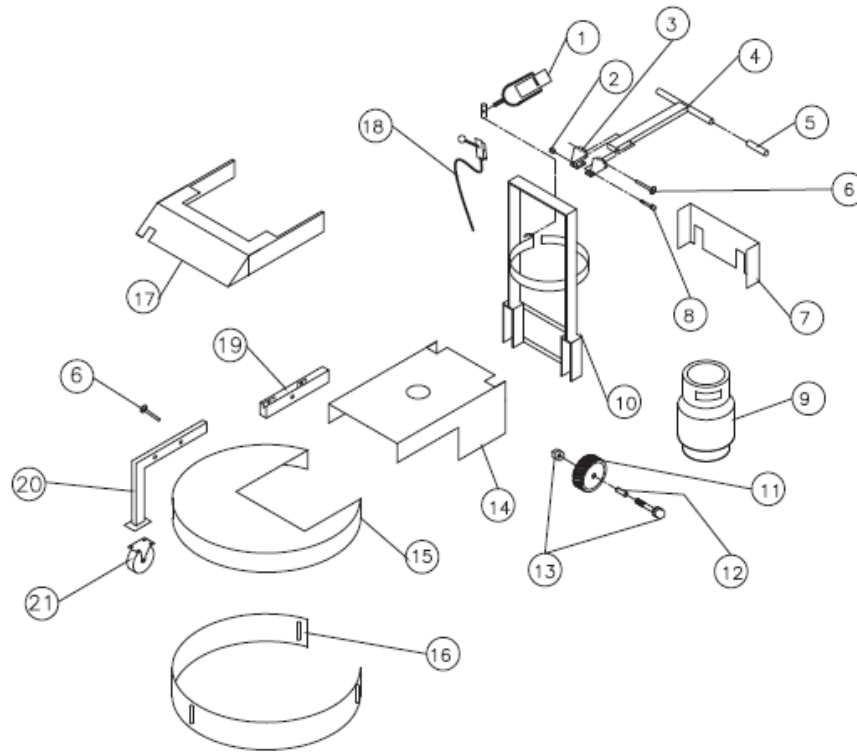
<p>1.) Read, understand and observe all important SAFETY INSTRUCTIONS before operating the machine (see pgs 3-9).</p> <p>2.) Complete the BEFORE OPERATION CHECKLIST on pgs 10-11.</p> <p>3.) Make sure the machine is properly maintained prior to use (see pgs 9, 15, 19-21).</p> <p>4.) Make sure the LPG tank (A) is filled, connected and checked for leaks (see pg 13).</p>	<p>5.) Open the LPG tank by turning the knob (B) counter-clockwise.</p> <p>6.) Set throttle lever (C) to idle/SLOW position</p> <p>7.) Turn key (D) to start [I] position</p> <p>8.) Move throttle lever (C) toward FAST position. If motor fails to start, return to Step 5 above.</p> <p>9.) Set throttle lever (C) to desired operating speed and follow the moving machine (straight ahead) at moderate walking pace (keep moving).</p>
---	---



SIDEWINDER 24" & 30" WARNING LABEL LOCATIONS



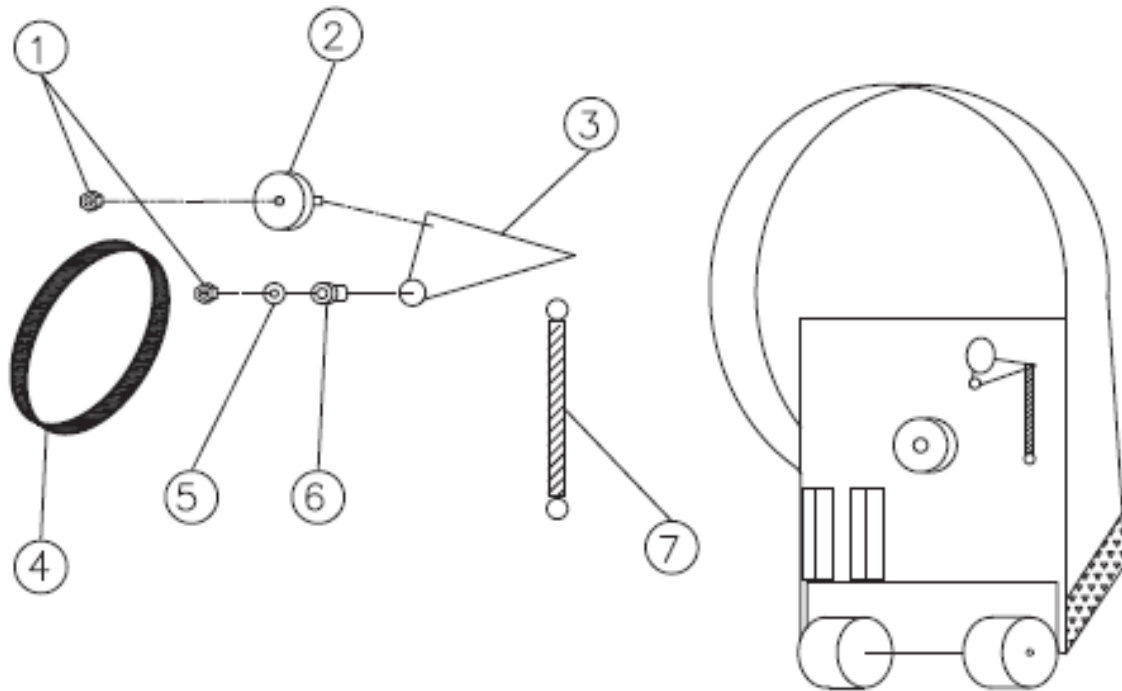
SIDEWINDER 30" BODY PARTS



ID #	DESCRIPTION	PART #	QTY
1	TOGGLE & NUT	284-TB2-60	1
2	3/8-16 LOK-NUT	164-22834	5
3	LEFT BRACKET RIGHT BRACKET	(Included with #10, Part #370-010-971CCH)	1 1
4	T-HANDLE	370-27-25	1
5	HANDLE GRIP	224-987319	2
6	LOK-PIN	625-98404A385	1
7	KICK PLATE	283-010-04	1
8	3/8-16*3 BOLT	164-10131	1
9	20 # LP CYLINDER	293-20#STLMF	1
10	HANDLE ASSEMBLY	370-010-971CCH	1
11	6" WHEEL	156-XA-06251-12	2
12	SPANNER BUSHING	156-ZF-0812-39	2
13	AXEL & NUT	156-ALBZJ085408	2
14	BODY	370-010S-01	1
15	BRUSHDRIVE COVER	370-010-5-02	1
16	SPLASH SKIRT	010-5-971S	1
17	BELT COVER LEFT CORNER BRACKET RIGHT CORNER BRACKET REAR CORNER BRACKET	370-01024S-03 370-010-05 370-010-06 370-010-07	1 1 1 2
18	THROTTLE CABLE	212-1	1
19	TRANS WHEEL BASE BRACKET	370-010-100	1
20	TRANS WHEEL BRACKET	370-010-200	1
21	5" SWIVEL WHEEL	156-010	1

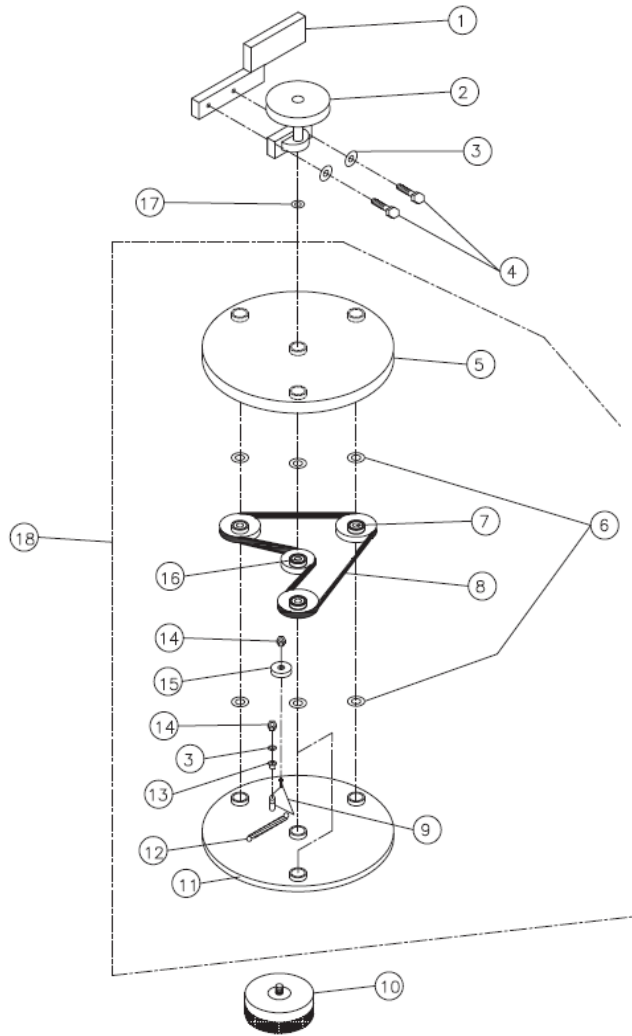
* NOT SHOWN: SW WHEEL SPLASH BELTING, PART # 176-SPSK, 24" SW, 2.5 FT

SIDEWINDER 30" UPPER DRIVE PARTS



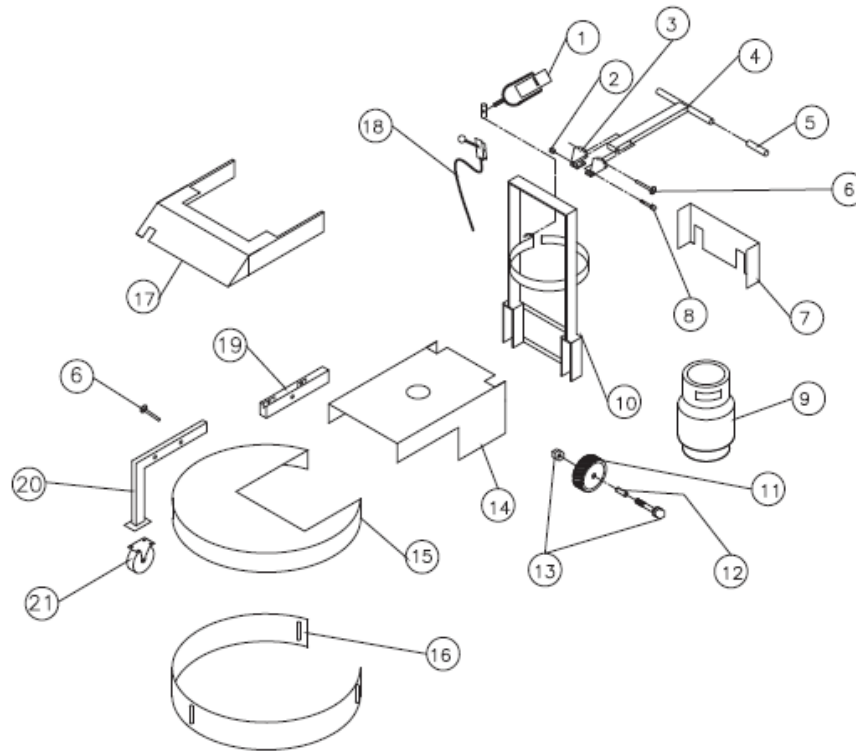
ID #	DESCRIPTION	PART #	QTY
1	3/8-16 HEX NUT	164-22004	2
2	TENSION PULLEY	188-V42B	1
3	BELT TENSIONER	010-962 I	1
4	ENGINE BELT	113-L537	1
5	5/16 FLAT WASHER	164-20156	1
6	NYLON BUSHING	196-71200	2
7	TENSION SPRING	173-7599-DWG	1

SIDEWINDER 30" LOWER DRIVE PARTS



ID #	DESCRIPTION	PART #	QTY
1	HEAD SUPPORT BOOM	010-962B	1
2	INPUT BOOM PULLEY	010-962S1	1
3	5/16 FLAT WASHER	164-20156	3
4	3/8-16*2 BOLT	164-10123	2
5	30" TOP PAN	370-010-962MS	1
6	BELLEVILLE WASHER	164-20250	8
7	OUTER PAN PULLEY	010-962S3	3
8	BRUSH DRIVE BELT	113-BB81	1
9	BELT TENSIONER	010-962 II	1
10	BRUSH OPTIONS: HVY DUTY STRIP (RED) PAD HOLDER	010-962STBH 010-962STP	3 3
11	30" STEEL PLATE	370-010-962MP	1
12	TENSION SPRING	173-7599-DWG	1
13	NYLON BUSHING	196-71200	1
14	3/8-16 HEX NUT	164-22004	2
15	TENSION PULLEY	188-V42B	1
16	CENTER PAN PULLEY	010-962S2	1
17	BOOM PULLEY WASHER	164-58114F	1
18	BRUSH DRIVE UNIT	010-953B	1

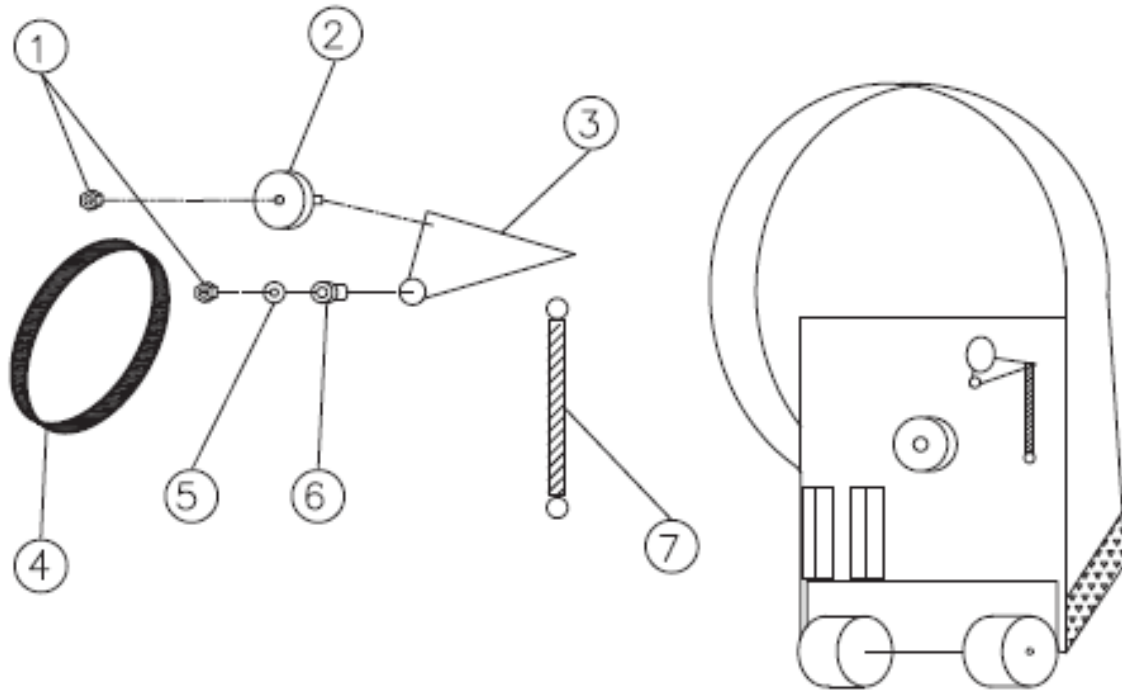
SIDEWINDER 24" BODY PARTS



ID #	DESCRIPTION	PART #	QTY
1	TOGGLE & NUT	284-TB2-60	1
2	3/8-16 LOK-NUT	164-22834	5
3	LEFT BRACKET RIGHT BRACKET	(Included with #10, Part #010-971CCH)	1 1
4	T-HANDLE	370-27-25	1
5	HANDLE GRIP	224-987319	2
6	LOK-PIN	625-98404A385	1
7	KICK PLATE	283-010-04	1
8	3/8-16*3 BOLT	164-10131	1
9	20 # LP CYLINDER	293-20#STLMF	1
10	HANDLE ASSEMBLY	370-010-971CCH	1
11	6" WHEEL	156-XA-06251-12	2
12	SPANNER BUSHING	156-ZF-0812-39	2
13	AXEL & NUT	156-ALBZJ085408	2
14	BODY	370-010S-01	1
15	BRUSHDRIVE COVER	370-010-5-02	1
16	SPLASH SKIRT	01024S-971S	1
17	BELT COVER LEFT CORNER BRACKET RIGHT CORNER BRACKET REAR CORNER BRACKET	370-01024S-03 370-010-05 370-010-06 370-010-07	1 1 1 2
18	THROTTLE CABLE	212-1	1
19	TRANS WHEEL BASE BRACKET	370-010-100	1
20	TRANS WHEEL BRACKET	370-010-200	1
21	5" SWIVEL WHEEL	156-010	1

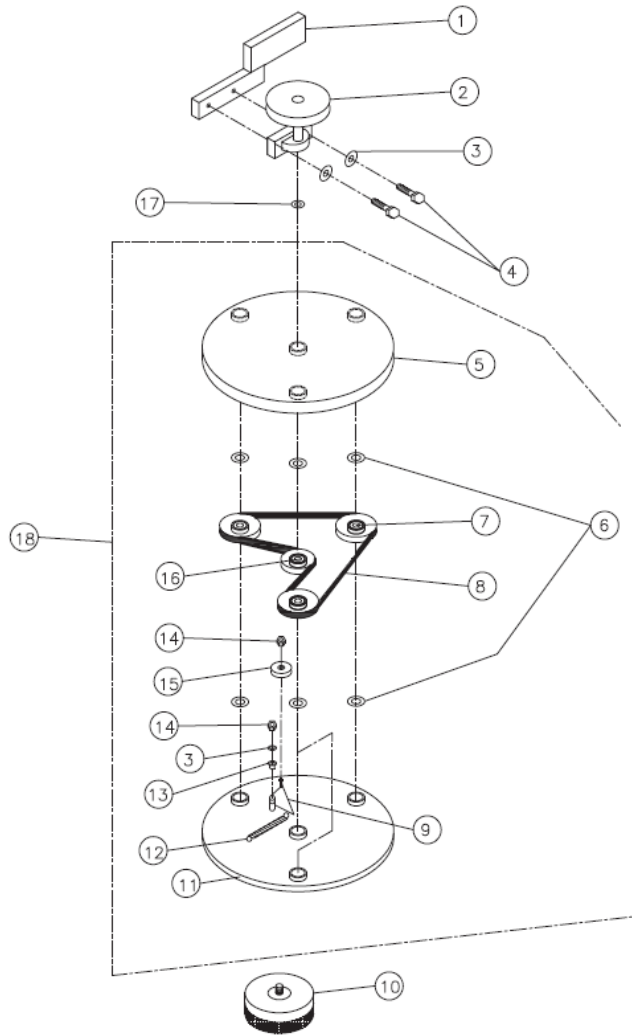
* NOT SHOWN: SW WHEEL SPLASH BELTING, PART # 176-SPSK, 30" SW, 3 FT

SIDEWINDER 24" UPPER DRIVE PARTS



ID #	DESCRIPTION	PART #	QTY
1	3/8-16 HEX NUT	164-22004	2
2	TENSION PULLEY	188-V42B	1
3	BELT TENSIONER	010-962 I	1
4	ENGINE BELT	113-L538	1
5	5/16 FLAT WASHER	164-20156	1
6	NYLON BUSHING	196-71200	2
7	TENSION SPRING	173-7599-DWG	1

SIDEWINDER 24" LOWER DRIVE PARTS



ID #	DESCRIPTION	PART #	QTY
1	HEAD SUPPORT BOOM	01024-962B	1
2	INPUT BOOM PULLEY	010S-962S1	1
3	5/16 FLAT WASHER	164-20156	3
4	3/8-16*2 BOLT	164-10123	2
5	24" TOP PAN	370-01024-962MS	1
6	BELLEVILLE WASHER	164-20250	8
7	OUTER PAN PULLEY	010-962S3	3
8	BRUSH DRIVE BELT	113-BB68	1
9	BELT TENSIONER	01024-962 II	1
10	DRIVER OPTIONS: 10" HEAVY DUTY STRIP BRUSH (ORANGE) 10" PAD HOLDER ASSEMBLY	010-962STBH 01024-962STP	3 3
11	24" STEEL PLATE	370-01024-962MP	1
12	TENSION SPRING	173-7501-DWG	1
13	NYLON BUSHING	196-71200	1
14	3/8-16 HEX NUT	164-22004	2
15	TENSION PULLEY	188-V42B	1
16	CENTER PAN PULLEY	010-962S2	1
17	BOOM PULLEY WASHER	164-58114F	1
18	BRUSH DRIVE UNIT	01024-953B	1

SIDEWINDER PAD DRIVER OPTIONS



COLOR	CHARACTERISTICS	PART #	QTY
ORANGE STRIP BRUSH 10"	Very aggressive stripping brush, lasts up to 1 million square feet, depending on the floor, can strip up to 10 layers of wax in one pass	010-962STBH	3

* Each 10" strip brush is sold separately

SIDEWINDER PAD DRIVER SYSTEM

The Sidewinder is designed with three 10" pads, with a pad grabber to hold each pad in place. Quick connect pad clips for easy pad change. The Pad Drive Assembly (part # 010-962STP) includes one Black Hi-Pro pad (part # 253-09074). Nylon bristles help prevent pads from clogging. Approximately 25%-30% faster than stripping with brushes.

SIDEWINDER STRIP PAD ASSEMBLY

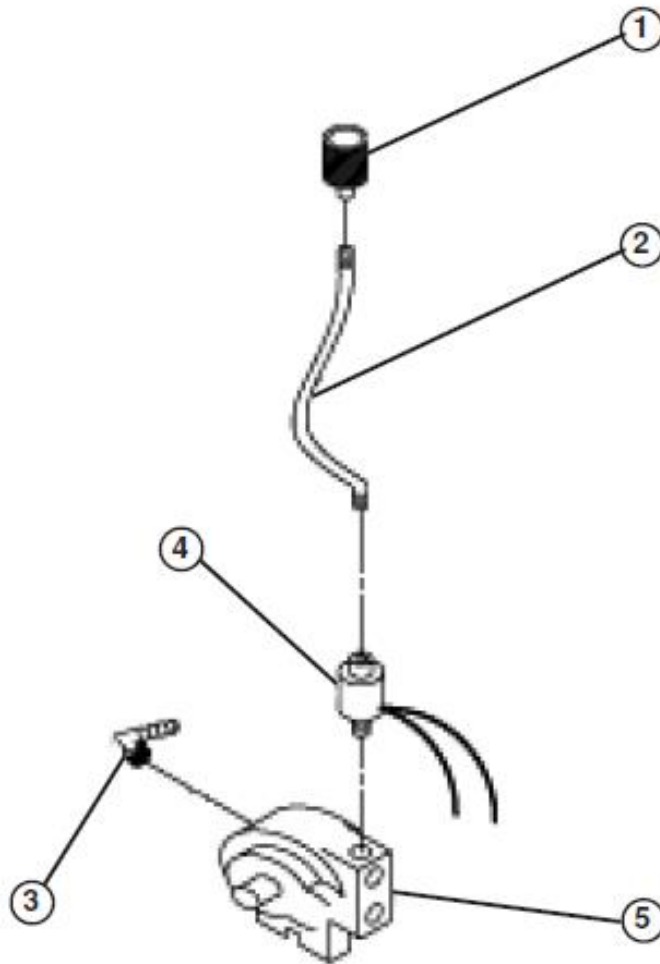
DESCRIPTION	PART #	QTY
24" and 30" Sidewinder Strip Pad Assembly 10"	010-962STP	3

* Each 10" pad assembly is sold separately and includes one 10" black stripping pad, part # 253-09074

PAD COLOR	CHARACTERISTICS	PART #	QTY
BLACK 10"	For stripping: use 1 per pad driver	253-09074	3
BLUE 10"	For scrubbing: use 1 per pad driver	253-08082	3

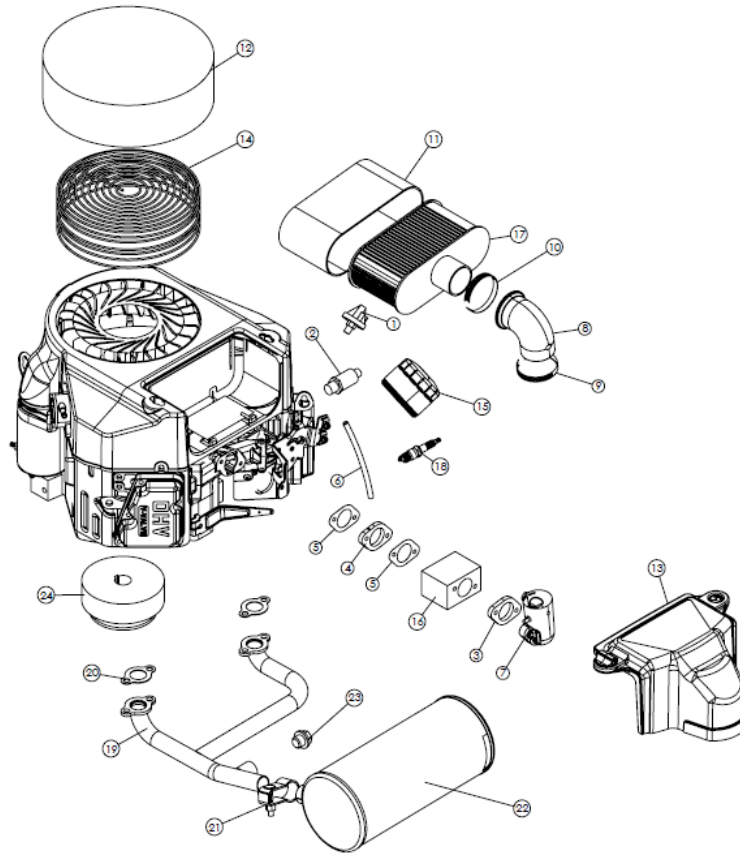
* Each 10" pad is sold in a case of QTY 5

FUEL SYSTEM 12V STARTER PARTS LIST



ID #	DESCRIPTION	PART #	QTY
1	QUICK COUPLER	152-700	1
2	LPG HOSE 17"	267-P5561-0410	1
3	FUEL HOSE FITTING 1/2" BARB ELBOW BRASS	166-62040-B	1
4	FUEL LOK-OUT (12 VOLT)	152-N3-0173-1	1
5	FUEL REGULATOR (T-60E)	152-500	1

PUREPOWERLPG 603cc ENGINE



ID #	DESCRIPTION	PART #	QTY
1	Foam Hat Filter	186-271964	1
2	Debris Screen	309-18540-603	1
3	Foam Hat Seal	175-7.75*9.25*1	1
4	Oil Pressure Switch	152-N3-0082	1
5	Oil Filter	309-49065-7007	1
6	Oil Drain Valve	312-504-0185	1
7	1 / 4 x 1 1 / 4 Key	199-NHNT-SE UND	1
8	Centrifugal Clutch	311-180007	1
9	Exhaust Manifold Gasket	309-11060-7016	2
10	Exhaust Manifold	152-603-MAN	1
11	Catalytic Muffler	152-603-MUF	1
12	Debris Screen Adapter	283-040-2250	1
13	Air Filter Element	309-11013-7049	1
14	Foam Pre Filter	309-11013-7046	1
15	Air Filter Cover	309-11011-7060	1
	Air Filter Wing Nut	309-92210-7038	1
	Air Filter O-Ring	309-92055-7025	2

AZTEC SIDEWINDER 24" & 30" WARRANTY

This warranty is limited as follows:

Component	Term of Warranty
Engine	2 yrs from engine manufacturer
Fuel System	1 yr
LPG Tank	1 yr on valve, 3 yrs on cylinder from date of mfgr
Body Parts	1 yr
Battery	1 yr from battery mfgr
Centrifugal Clutch	1 yr

The warranty does not apply to certain consumable or wear parts such as:

Belts, Brushes, Pulleys, Springs
Engine tune up parts

Aztec Products, Inc. warrants its products to be free from defects in material and workmanship for a period of one year from the date of sale. All engines are warranted by the manufacturers for a period of two years when engine maintenance schedules are followed.

The warranty does not apply to damage or failure caused by abuse, misuse, neglect, disassembly, alteration, unauthorized modification or repair, lack of proper maintenance, theft or damage by freight carriers. The warranty applies to parts, labor, and ground freight only. Aztec is not liable for transportation to or from repair centers or travel for on-site repairs. Aztec Products, Inc. will not be liable for incidental or consequential damages arising from the use of any of its products, whether defective or not.

Aztec Products, Inc. agrees, at its discretion, to repair or replace at its own expense any product or part(s) which examination proves to be defective in workmanship or materials provided that the purchaser notifies Aztec Products, Inc. directly within the warranty period and follows the Return Goods Policy. Engine repairs may be performed at engine manufacturer's service centers. For your closest center you may call Kawasaki: 616-949-6500.

To obtain parts warranty, the following procedures must be followed:

1. Customer must call Aztec Products, Inc. for an RGA (Return Goods Authorization) Number.
2. We maintain the serial number, date of shipment or sale, and customer name on each piece of equipment sold. If you were the purchaser, please reference that information on your request for replacement or repair. If you purchased the equipment through a distributor, please contact them first. If you are not satisfied, contact Aztec and give us the distributor name, purchase date, and the serial number of the product.
3. The defective part must be returned via ground freight prepaid to Aztec Products, Inc. with an RGA number accompanied by a copy to the original purchase invoice. Aztec is not responsible for the cost of packaging inbound freight, nor inbound freight damage. Pack machine carefully.
4. Only Aztec Products, Inc. or its authorized dealers may make warranty repairs on Aztec Products, Inc. products. Others do so at their own risk and expense.
5. We also offer to do warranty related repairs free of charge at our facility. Arrangements must be made in advance as outlined above. We will not accept freight collect returns or returns that do not indicate the RGA number on the packing list.

The need for proper maintenance and care for this product cannot be overstated. Poor maintenance, neglect or abuse will void the warranty and prove to be very expensive.

You have purchased a quality product. Each of its components have been tested and approved for use by Aztec Products, Inc. It is unlikely that you will ever have a warranty claim if you properly maintain your machine.

This warranty is non-transferable.
AZTEC PRODUCTS, INC. • www.aztecproducts.com
201 Commerce Drive • Montgomeryville, PA 18936 • 215-393-4700* 800-331-1423