



ADVANCED PHOTONICS

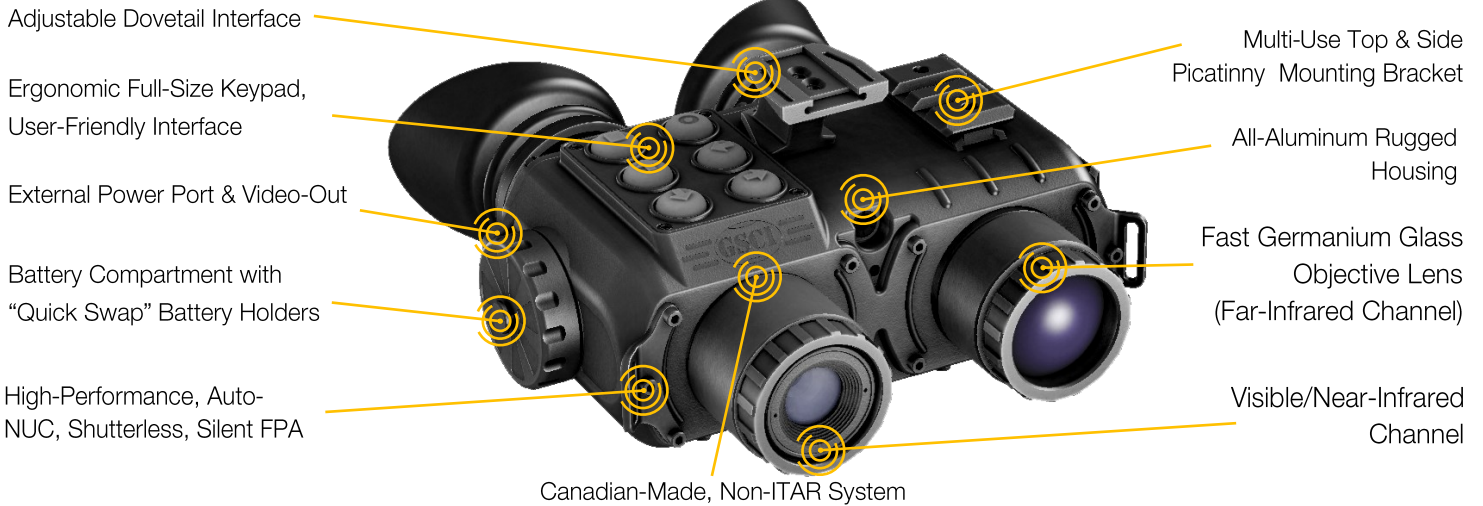
# LIGHTWEIGHT FUSION GOGGLES QUADRO-G

The QUADRO-G is the new augmented vision goggles for tactical surveillance and observation at short- and medium-range distances.

Along with selecting between visible/near-infrared and far-infrared (thermal) channels individually, GSCI's Unique Patented technology allows to produce and display real-time, delay-free *fusion* image that superimposes all ranges of the spectrum from its sensors to successfully detect any target and defy poor lighting or weather conditions. Wide field of view allows for better situation awareness.

The unit is small and lightweight, and yet made of a hard-anodized aluminum for added strength and shock resistance. The unit is compatible with most head gears and helmet mounts for hands-free operation.

## ADVANTAGES OF QUADRO-G



### KEY FEATURES

- ◆ 100% Target Detection Capability
- ◆ Multi-Mode 24/7 Operation
- ◆ Auto-NUC: No Calibration Needed
- ◆ Portable Dual-Eye System For Helmet Mounting
- ◆ ITAR-Free System

### MAIN APPLICATIONS

- ◆ Special Forces
- ◆ Security & Law Enforcement
- ◆ Perimeter Security
- ◆ Border Patrol
- ◆ Tactical Surveillance & Reconnaissance



Designed, Developed, Manufactured by GSCI Advanced Photonics

120 WHITMORE ROAD, UNIT 20, WOODBRIDGE, ONTARIO, L4L6A5, CANADA

WWW.GSCI.NET | GSCI@GSCI.NET | +1.905.850.0990

DISCLAIMER. Technical description, certain optical-electronic-mechanical features of the product shown herein and/or some of its parts/components may not precisely represent the actual device and are subject to change without prior notice by the sole discretion of General Starlight Co., Inc. Mass of the product represents measurable weight of all components this product consists of, such as optics, mechanics, and electronics. Dimensions of the product represents measurable size of the body, including all optical components attached and in fully folded position. Dimensions of additions such as mounting brackets, eyecups, objective lens covers, and/or battery extensions may vary and therefore are not listed herein. Copyright © 1992-2023 General Starlight Co., Inc. Canada. All rights reserved.



ADVANCED PHOTONICS

# LIGHTWEIGHT FUSION GOGGLES QUADRO-G

|   |   |  |
|---|---|--|
| <b>OPTICAL PARAMETERS</b>                                     | Optical Magnification                                       | 1X   |
|   | Field of View   | 24.5°x18.5°  |
|   | Focusing Range  | 0.5m .. Infinity   |
|   | Eyepiece  | Dual   |
|   | Eyerelief   | Min. 20mm  |
|   | <b>SYSTEM PARAMETERS: CAPABILITIES AND SPECIAL FEATURES</b> | Digital Passive Stadiametric Rangefinder (SRF)                       |
| Digital Detail Enhancement Feature (DDE)                      |   | Yes  |
| Digital Edge Detection Feature (DED)                          |   | Yes  |
| Wide Dynamic Range Feature (WDR)                              |   | Yes  |
| Stow Safety Feature (SSF)                                     |   | Yes  |
| Integrated 9-Axis Absolute Orientation HUD (Heads-Up Display) |   | Optional: 3-Axis Sensors - Magnetometer, Accelerometer and Gyroscope |
| Integrated Compass  |   | Optional   |
| Pitch / Roll / Azimuth Indications                            |   | Optional   |
| Power Saving Mode   |   | Yes  |
| Real-Time Date-Time Stamp                                     |   | Yes: Simplified, Extended, DTG Formats                               |
| Digital Video Recorder with Real-Time Stamp                   |   | Optional: Comes with Removable 32GB microSD Card                     |
| Detection Capability: Man (1.7x0.5m) / NATO Target (2.3x2.3m) |   | 830m / 1130m   |
| Hand-Held Configuration                                       |   | Yes  |
| Tripod-Mountable  |   | Yes  |
| User Profiles (Configurable)                                  |   | Yes: 8   |
| Automatic/Manual Pixel Masking                                |   | Yes  |
| Reset to Factory Defaults                                     |   | Yes  |
| External Video Feed Protection                                |   | Yes  |
| Automatic Power Down Control                                  |   | User-Configurable: 10 .. 60 minutes of inactivity                    |
| <b>THERMAL (LWIR) CHANNEL</b>                                 |   | FPA Type   |
|   | FPA Resolution and Pitch                                    | 640x480, 17µm  |
|   | FPA Sensitivity (NETD)                                      | <50mK  |
|   | FPA Refresh Rate  | 50Hz   |
|   | Digital Zoom  | 1X, 2X, 4X   |
|   | Imaging Modes   | Monochrome (White-Hot / Black-Hot) and 8 Colour Palettes             |
| <b>DAY/NIGHT (VNIR) CHANNEL</b>                               | Sensor Type   | High-Performance CCD   |
|   | Sensor Size   | 1/3"   |
|   | Resolution  | 800x600  |
|   | Sensitivity   | Up to 0.1Lux   |
|   | Night Boost Mode  | Yes  |
|   | VNIR Modes  | Day/Night  |

|  |                              |  |
|--|------------------------------|--|
| <b>DISPLAY</b>   | Internal Display             | Full Size: 0.5-Inch Diagonal, Dual-AMOLED, Colour, 800x600   |
|  | Internal Display Contrast    | >10000:1   |
| <b>IMAGE FUSION</b>                                    | Type                         | Real-time, Electronic  |
|  | Fused Channels               | LWIR + VNIR  |
|  | Parallax Compensation        | Electronic, Adjustable                                       |
|  | Heat Signature Opacity Range | User Adjustable: 0% .. 100%                                  |
| <b>ELECTRONICS, MECHANICAL, ENVIRONMENTAL FEATURES</b> | Accepted Batteries *         | 4 (Four) AA: Lithium Recommended                             |
|  | Universal Port               | Video-Out, Remote Control and External Power (4VDC .. 15VDC) |
|  | Video Output Signal          | CVBS 1Vpp @ 75 Ohm   |
|  | Battery Life on 4x AA        | Up to 7 Hours  |
|  | Environmental Protection     | Min. IP67, Nitrogen-Purged Housing                           |
|  | Dimensions                   | 152x132x59mm   |
|  | Weight                       | 650 grams  |
|  | Operating Temperature        | -40°C .. +50°C   |
|  | Storage Temperature          | -55°C .. +65°C   |
|  | Body Material                | Hard-Anodized Aluminum                                       |
| Warranty   | 7 Years, Limited             |  |



Made In Canada, ITAR-Free

\* Batteries not included



DISCLAIMER: Technical description, certain optical-electronic-mechanical features of the product shown herein and/or some of its parts/components may not precisely represent the actual device and are subject to change without prior notice by the sole discretion of General Starlight Co., Inc. Mass of the product represents measurable weight of all components this product consists of, such as optics, mechanics, and electronics. Dimensions of the product represents measurable size of the body, including all optical components attached and in fully folded position. Dimensions of additions such as mounting brackets, eyecups, objective lens covers, and/or battery extensions may vary and therefore are not listed herein. Copyright © 1992-2023 General Starlight Co., Inc. Canada. All rights reserved.



ADVANCED PHOTONICS

# LIGHTWEIGHT FUSION GOGGLES QUADRO-G

## STANDARD EQUIPMENT: WHAT'S IN THE BOX

|    |   |
|----|---|
| 1  | Fusion Goggles  |
| 2  | Mounting Bracket ( <i>Installed: Bayonet or Adjustable Dovetail</i> ) |
| 3  | Rubber Eyecups ( <i>Installed on the device</i> ) + Spares            |
| 4  | Protective Lens Covers ( <i>Installed on the device</i> )             |
| 5  | USB Power Cable ( <i>5-pin to USB</i> )                               |
| 6  | Video-Out Cable ( <i>5-pin to RCA</i> )                               |
| 7  | Quick Swap Battery Containers (AA)                                    |
| 8  | Neck Cord   |
| 9  | Soft Carrying Pouch   |
| 10 | User Manual   |
| 11 | 7-Year Warranty with Activation Form                                  |
| 12 | Waterproof Hard Carrying Case   |
| 13 | Cleaning Kit (3-in-1 Multi-Pen + Cleaning Cloth)                      |

\* Batteries not included

## OPTIONAL EQUIPMENT

|   |   |
|---|---|
| A | Universal Remote Control Unit TRC-120 (Comes with connection cable)   |
| B | Universal Multi-Voltage Battery Pack MVP-240 (Comes with connection cable)  |
| C | Built-In Digital Video Recorder GS-DVR-INT (Comes with 32GB microSD card and SD adapter)  |
| D | External Digital Video Recorder GS-EDVR (Comes with set of cables and 32GB SD card)   |
| E | Portable Head-Mounted Display HMD-800-MOD (streams thermal video directly from the device, comes with connection cable)                               |
| F | Integrated 9-Axis Absolute Orientation HUD (Heads-Up Display), 3-Axis Sensors for Compass Reading, Inclinometer/Pitch Reading, and Level/Roll Reading |
| G | Tactical Infrared Illuminator IR-250S. Kit Includes IR-250S Unit (850nm), Remote Control, Picatinny Mount   |
| H | Advanced Helmet Mount Harness HMH-1   |



Designed, Developed, Manufactured by GSCI Advanced Photonics

120 WHITMORE ROAD, UNIT 20, WOODBRIDGE, ONTARIO, L4L6A5, CANADA

WWW.GSCI.NET | GSCI@GSCI.NET | +1.905.850.0990

DISCLAIMER. Technical description, certain optical-electronic-mechanical features of the product shown herein and/or some of its parts/components may not precisely represent the actual device and are subject to change without prior notice by the sole discretion of General Starlight Co., Inc. Mass of the product represents measurable weight of all components this product consists of, such as optics, mechanics, and electronics. Dimensions of the product represents measurable size of the body, including all optical components attached and in fully folded position. Dimensions of additions such as mounting brackets, eyecups, objective lens covers, and/or battery extensions may vary and therefore are not listed herein. Copyright © 1992-2023 General Starlight Co., Inc. Canada. All rights reserved.