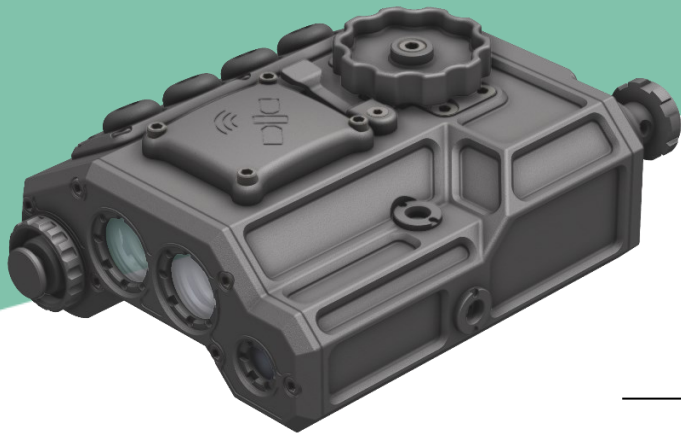




ADVANCED PHOTONICS

Quick Acquisition Advanced
Tactical Laser Rangefinder

QRF-4500



The QRF-4500 is the all-in-one laser rangefinder unit with increased capabilities featuring built-in GPS, compass, laser pointer and IR illuminator. It is the indispensable tool with multiple capabilities used for reconnaissance, tactical surveillance, and other scenarios. Its operational capabilities and functionality by far exceed similar systems on the market. The compact size of the QRF-4500 allows free access to the controls of the unit that the QRF-4500 is attached to. Structural rigidity, excellent shock protection and IP67 rating of the QRF-4500 are among the must-haves for a modern operator.

This unit can be used in combination with a wide variety of optical-electronic systems, including daytime sights, night vision, thermal imaging, and fusion devices.

The QRF-4500 is ready to replace all discrete, single-function gadgets: all information is presented on one display to increase operator's efficiency.



KEY FEATURES:

- > Works as a standalone or in combination with various Optical-Electronic Systems.
- > 1550nm LRF Wavelength
- > Displays You and Your Target's Coordinates
- > Rapid and Accurate Measurements
- > Synchronized Compass, GPS and Rangefinder
- > Measures Speed and Track Angle
- > Perfect for Spotters, Snipers, Precision Shooters
- > Visible, IR Laser Pointer and IR Illuminator Options
- > Compact and Rugged Design
- > Fits Picatinny / Weaver Rails
- > All-Aluminum Body



Designed, Developed, Manufactured by GSCI Advanced Photonics
120 WHITMORE ROAD, UNIT 20, WOODBRIDGE, ONTARIO, L4L6A5, CANADA
WWW.GSCI.NET | GSCI@GSCI.NET | +1.905.850.0990

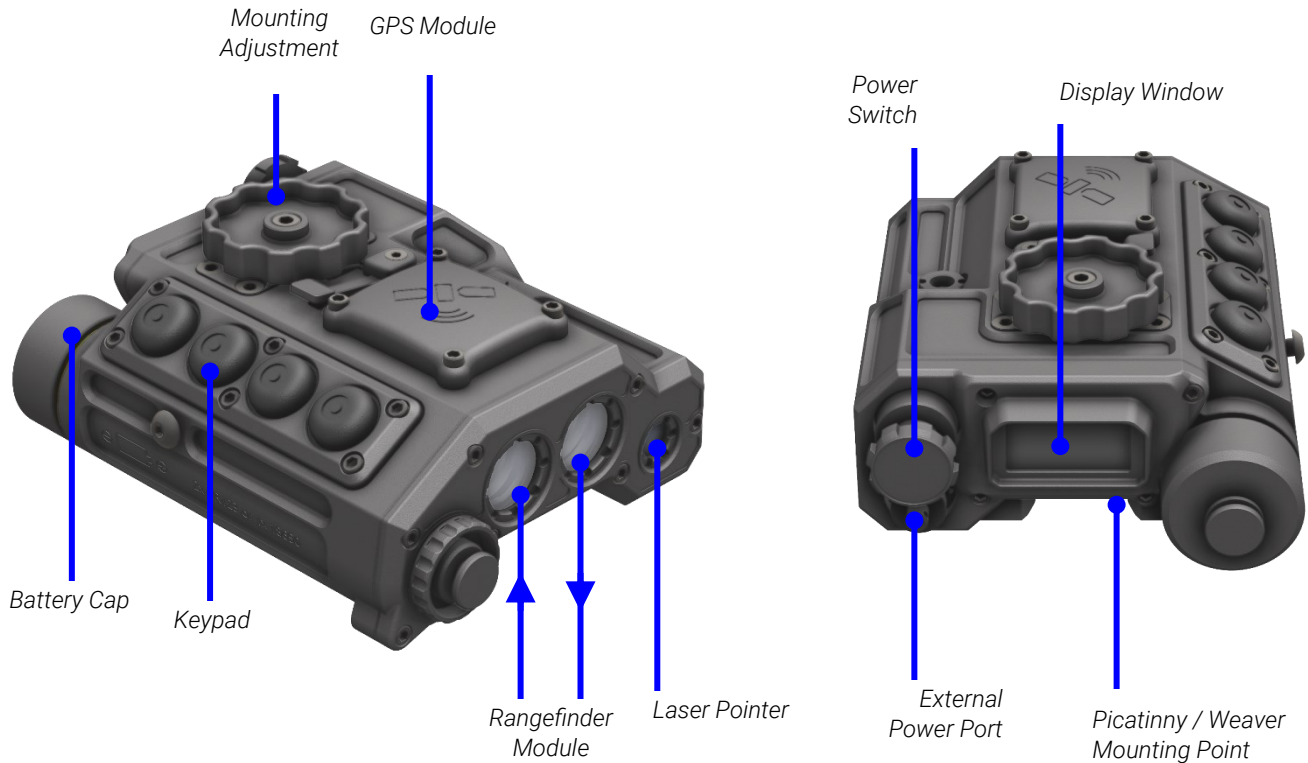
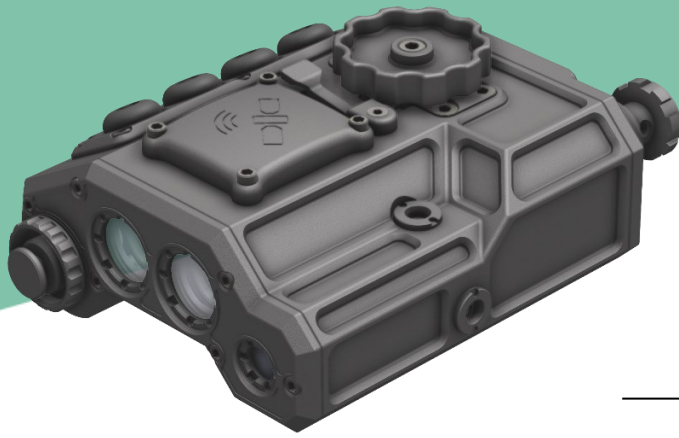
DISCLAIMER. Technical description, certain optical-electronic-mechanical features of the product shown herein and/or some of its parts/components may not precisely represent the actual device and are subject to change without prior notice by the sole discretion of General Starlight Co., Inc. Mass of the product represents measurable weight of all components this product consists of, such as optics, mechanics, and electronics. Dimensions of the product represents measurable size of the body, including all optical components attached and in fully folded position. Dimensions of additions such as mounting brackets, eyecups, objective lens covers, and/or battery extensions may vary and therefore are not listed herein. Copyright © 1992-2023 General Starlight Co., Inc. Canada. All rights reserved.



ADVANCED PHOTONICS

Quick Acquisition Advanced
Tactical Laser Rangefinder

QRF-4500



QRF-4500 is a Great Companion for:

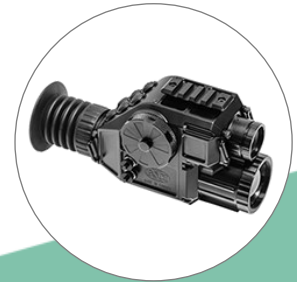
Firearms

Day Optics

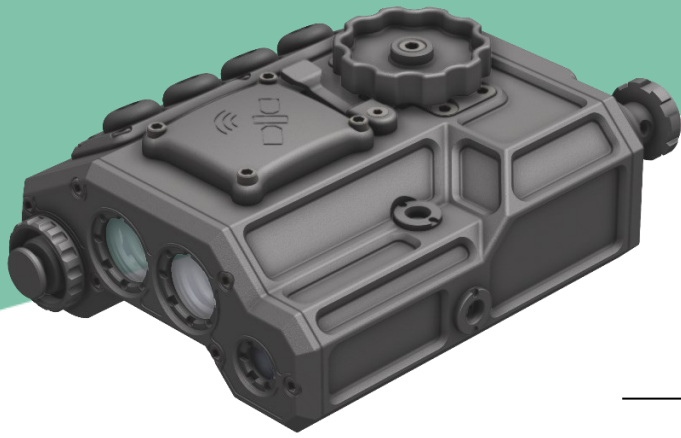
Thermal Imagers

Night Vision Devices

Fusion Systems



DISCLAIMER. Technical description, certain optical-electronic-mechanical features of the product shown herein and/or some of its parts/components may not precisely represent the actual device and are subject to change without prior notice by the sole discretion of General Starlight Co., Inc. Mass of the product represents measurable weight of all components this product consists of, such as optics, mechanics, and electronics. Dimensions of the product represents measurable size of the body, including all optical components attached and in fully folded position. Dimensions of additions such as mounting brackets, eyecups, objective lens covers, and/or battery extensions may vary and therefore are not listed herein. Copyright © 1992-2023 General Starlight Co., Inc. Canada. All rights reserved.



ADVANCED PHOTONICS

Quick Acquisition Advanced
Tactical Laser Rangefinder

QRF-4500

TECHNICAL SPECIFICATIONS	
Ranging Capability	3m .. 4500m
Minimum Measuring Time	0.4s
Distance-To-Target Precision	Less than 1m
Distance Units	User-Selectable: Meters or Yards
Display Type	Integrated, Energy-Efficient, Digital (OLED), 0.96", Glare Protected
Compass	High Accuracy Magnetic and Gyro-Compass
Compatible Global Positioning Systems	GPS, GLONASS, Galileo, EGNOS
Precise GPS Location	Yes: Displayed in Degrees-Minutes-Seconds
Laser Safety Class	1
Wavelength	1550nm
Performance to NATO Target (2.3x2.3m)	2000m
Communications	Serial, RS232
Power Source	1pc 18650 or 2pcs CR123 or External Power Supply (4VDC .. 15VDC)*
Ranging Measurements / Battery Life	14,500 Events on 2pcs CR123
Dimensions	112x82x44 mm
Weight (without battery)	340 Grams
Environmental Protection	IP67
Operating Temperature	-40°C .. +50°C
Storage Temperature	-50°C .. +60°C
Warranty	7 Years
Export	Available Worldwide

* Batteries not included

STANDARD EQUIPMENT: WHAT'S IN THE BOX	
1	QRF-4500 Unit
2	IR Illuminator Attachment
3	USB Power Cable
4	Cleaning Kit (3-in-1 Multi-Pen + Cleaning Cloth)
5	Soft Carrying Pouch
6	Hard Carrying Case
7	User Manual

OPTIONAL EQUIPMENT	
A	Remote Control
B	MVP-240 Universal Battery Pack