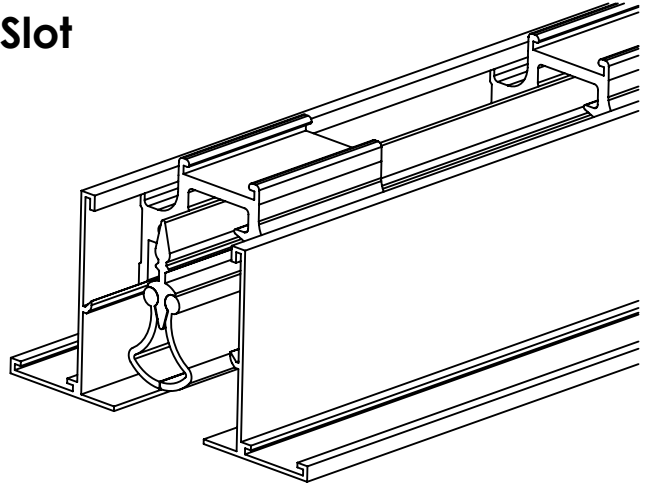


Linear Slot Diffuser - Modulinear - One Slot

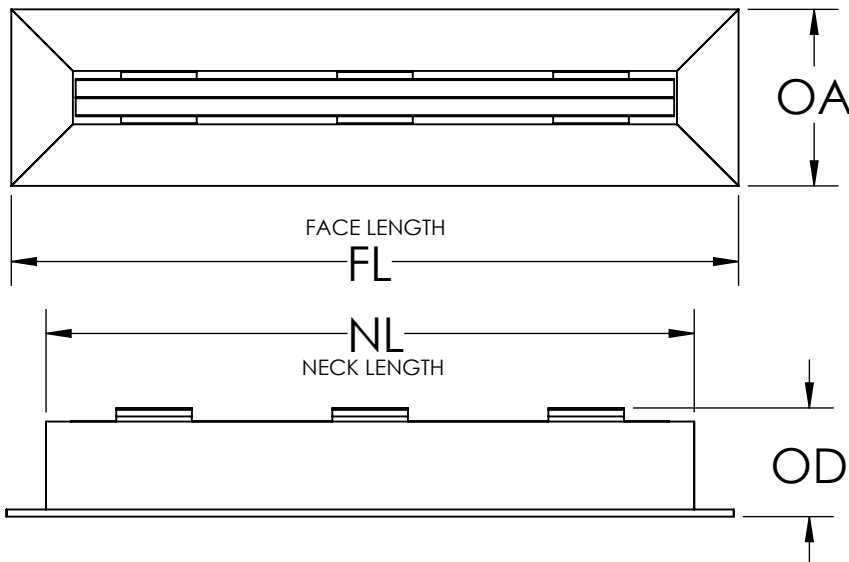
MODEL# FWASD25-1 Series

- The slot opening is 1" inch (25mm) wide
 - Matching miter corners available or in custom angles
 - Customizable lengths or continuous incremental linear
 - Other color finishes available upon request
 - There are no pre-drilled holes on the surface.
- Fastening must be done on the inner border sides for an aesthetic appearance.



LIST OF STANDARD SIZES

SIZE	NL		FL		OA	A1	OD	D1	E1	SECTION VIEW
12"	11-3/4"	(297)	13-1/8"	(333)	3-3/16" (81)	1" (25)	2" (50)	1-3/4" (45)	1-3/4" (45)	
16"	15-3/4"	(398)	17-1/8"	(434)						
18"	17-3/4"	(451)	19"	(484)						
20"	19-3/4"	(502)	21-1/8"	(536)						
22"	21-3/4"	(552)	23-1/8"	(588)						
24"	23-3/4"	(602)	25-1/8"	(638)						
32"	31-3/4"	(805)	33-1/8"	(841)						
36"	35-3/4"	(906)	37-1/8"	(942)						
48"	47-3/4"	(1211)	49-1/8"	(1247)						
60"	59-3/4"	(1516)	61-1/8"	(1552)						
72"	71-3/4"	(1821)	73-1/8"	(1857)						
96"	95-3/4"	(2431)	97-1/8"	(2467)						



FINISH:

- POWDERCOAT MATTE WHITE (**Default**)
- POWDERCOAT MATTE BLACK
- POWDERCOAT RAL7047 TV GREY
- POWDERCOAT RAL9010
- POWDERCOAT RAL9016
- ANODIZED ALUMINUM
- BAKED ENAMEL; COLOR _____

MATERIAL:

- ALUMINUM EXTRUSIONS 6063-T5

NOTES:

- ADJUSTABLE DEFLECTOR VANES TO CONTROL FLOW DIRECTION AND THROW DISTANCE.

OPTIONS:

- NONE

* Primary units are in metric: (millimeters); imperial units are for reference only

Drawings are not to scale and not meant to detail every aspect of the product. This submittal is meant to demonstrate general dimensions of this product. Flo-Matrix Air Ventilation Limited reserves the right to make changes without written notice. All rights reserved.

PROJECT:

ENGINEER:

CUSTOMER:

SUBMITTAL DATE: 2024-04-25

SPEC. SYMBOL:



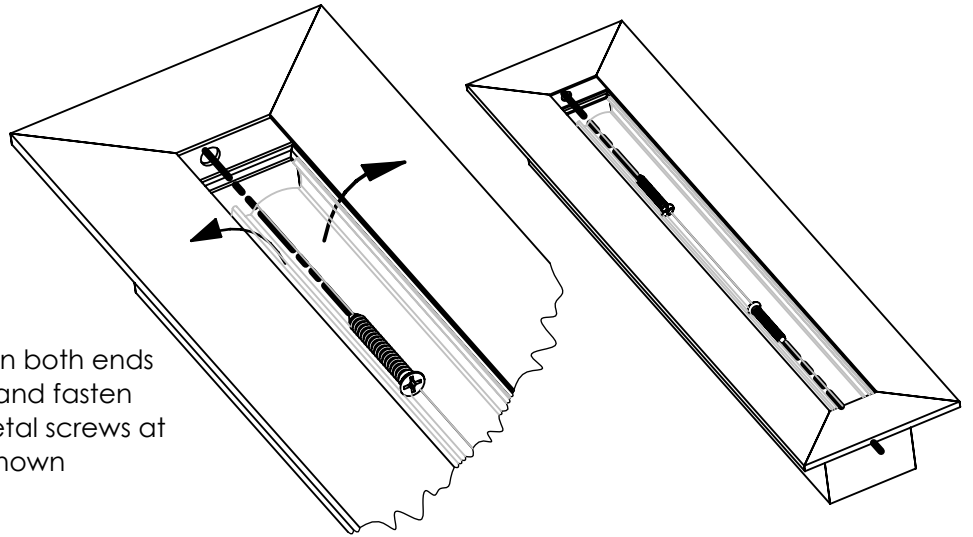
FLO-MATRIX
AIR VENTILATION LTD.

181119KT

FWASD25-1

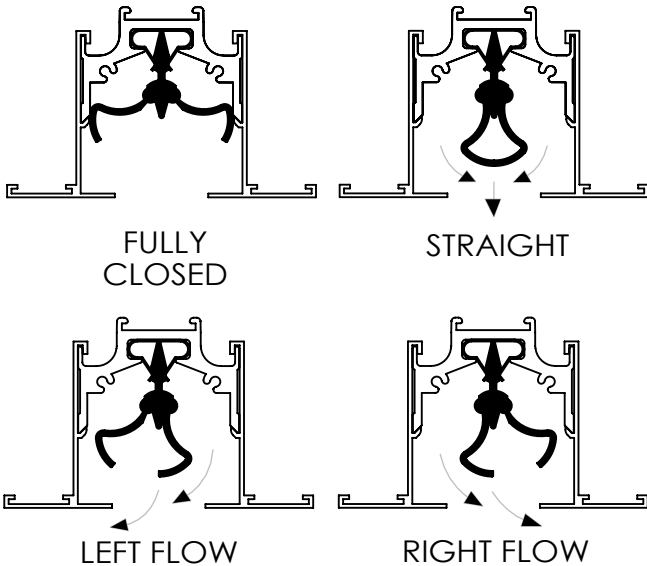
2024-04-26

GENERAL INSTALLATION

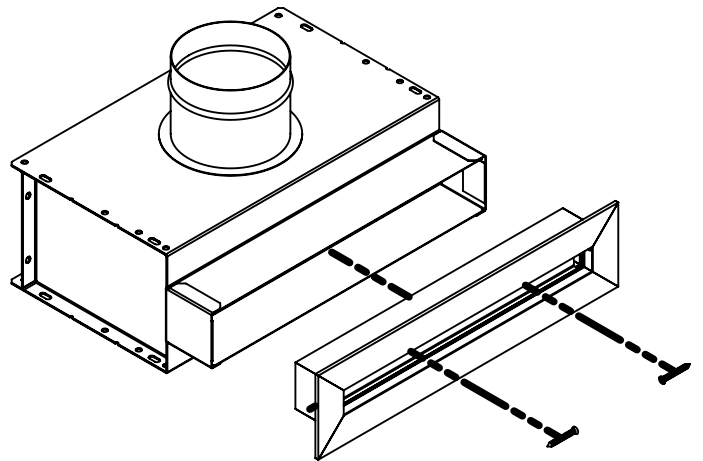


- Spread the pattern controllers into "Fully-Closed" Position
- Locate all of the pre-drilled holes on both ends
- Insert the air vent into the air duct and fasten the unit with suitable self-drilling metal screws at each end of the slots opening as shown

AIR FLOW CONTROL



ASSEMBLY WITH FLO-MATRIX FXP PLENUM



ADDITIONAL SLOT WIDTHS DIMENSIONS

# OF SLOTS	1" (25mm) SLOT WIDTH				3/4" (19mm) SLOT WIDTH			
	OVERALL WIDTH (OA)		NECK WIDTH (E1)		OVERALL WIDTH (OA)		NECK WIDTH (E1)	
1	3-1/4"	(81)	1-3/4"	(45)	3"	(76)	1-5/8"	(41)
2	4-7/8"	(125)	3-1/2"	(89)	4-1/2"	(114.5)	3-1/2"	(80)
3	6-5/8"	(169)	5-1/4"	(133)	6"	(153)	4-5/8"	(118)
4	8-3/8"	(213)	7"	(177)	7-1/2"	(191.5)	6-1/8"	(156.5)
5	10-1/8"	(257)	8-5/8"	(220)	9"	(230)	7-5/8"	(195)
6	11-3/4"	(300)	10-3/8"	(264)	10-5/8"	(268.5)	9-1/4"	(233.5)
7	13-1/2"	(344)	12-1/8"	(308)	12-1/8"	(307)	9-1/2"	(242)
8	15-1/4"	(388)	13-7/8"	(352)	13-5/8"	(345.5)	12-1/4"	(310.5)
9	17"	(432)	15-1/2"	(395)	15-1/8"	(384)	13-3/4"	(349)
10	18-3/4"	(476)	17-1/4"	(439)	16-5/8"	(422.5)	15-1/4"	(387.5)
11	20-3/8"	(519)	19"	(483)	18-1/2"	(461)	16-3/4"	(426)
12	22-1/8"	(563)	20-3/4"	(527)	19-5/8"	(499.5)	18-1/4"	(464.5)

For additional product details please visit:

WWW.FLOMATRIX-HVAC.COM

* Primary units are in metric: (millimeters); imperial units are for reference only

Drawings are not to scale and not meant to detail every aspect of the product. This submittal is meant to demonstrate general dimensions of this product. Flo-Matrix Air Ventilation Limited reserves the right to make changes without written notice. All rights reserved.

PROJECT:

ENGINEER:

CUSTOMER:

SUBMITTAL DATE: 2024-04-25

SPEC. SYMBOL:



181119KT

2024-04-26

FLO-MATRIX
AIR VENTILATION LTD.

FWASD25-1