



Range of axial extractors with airflow rates of 80 m<sup>3</sup>/h, for connection to 100 mm diameter circular ducting.

All the fans are manufactured from injection moulded plastic, fitted with neon light indicator and single phase 230V-50Hz, class B motor equipped with overload thermal protection. All the fans are class II insulation, IPX4 rated and suitable to operate with air temperature up to 40°C.



**Back draft shutter**

To prevent air entry and limit heat leakage when the extractor is not operating. It opens due to the pressure of the air.



**All versions available with "silver" front cover.**



## MODEL FEATURES

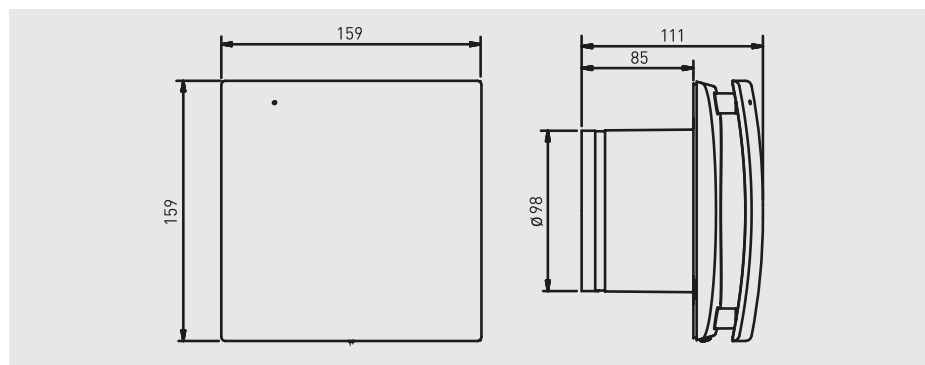
	C	CR	CH	SILVER
NEON LIGHT	●	●	●	●
BACKDRAUGHT SHUTTER	●	●	●	●
ADJUSTABLE OVER RUN TIMER		●	●	CR, CH models
ADJUSTABLE HUMIDITY SENSOR			●	CH model
"SILVER" FRONT COVER				●

## TECHNICAL CHARACTERISTICS

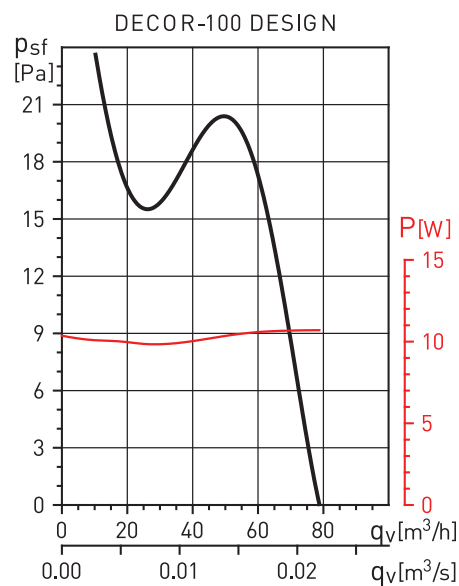
Model	Maximum absorbed power (W)	Tension (V-Hz)	Sound pressure level* (dB(A))	Maximum airflow (m <sup>3</sup> /h)	Insulation class Protection rating	Weight (kg)
DECOR-100 DESIGN	10,7	230-50	33	80	Class II / IPX4	0,55

\* Sound pressure level measured at 3 m at free air conditions.

## DIMENSIONS (mm)



## PERFORMANCE CURVE



## ACCESSORIES



**GSA-100**  
Flexible aluminium ducting.



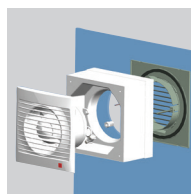
**GRA-75**  
Aluminium exterior grille.



**FIXED SHUTTER AND TELESCOPIC DUCT**  
(200 to 420 mm).



**CX-80/125**  
Worm drive ducting clip.



**WINDOW KIT 100**  
Accessory to allow DECOR-100 in a window.



Range of axial extractors with airflow rates of 160 m<sup>3</sup>/h, for connection to 120 mm diameter circular ducting.

All the fans are manufactured from injection moulded plastic, fitted with neon light indicator and single phase 230V-50Hz, class B motor equipped with overload thermal protection. All the fans are class II insulation, IPX4 rated and suitable to operate with air temperature up to 40°C.

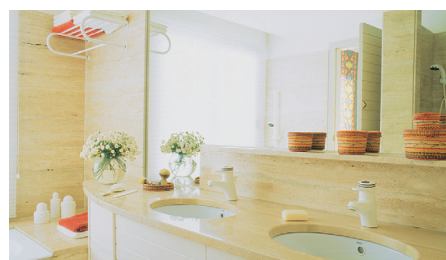


**Back draft shutter**

To prevent air entry and limit heat leakage when the extractor is not operating. It opens due to the pressure of the air.



**All versions available with "silver" front cover.**



Fans suitable to install in bathrooms between 8 and 15 m<sup>2</sup>.

## MODEL FEATURES

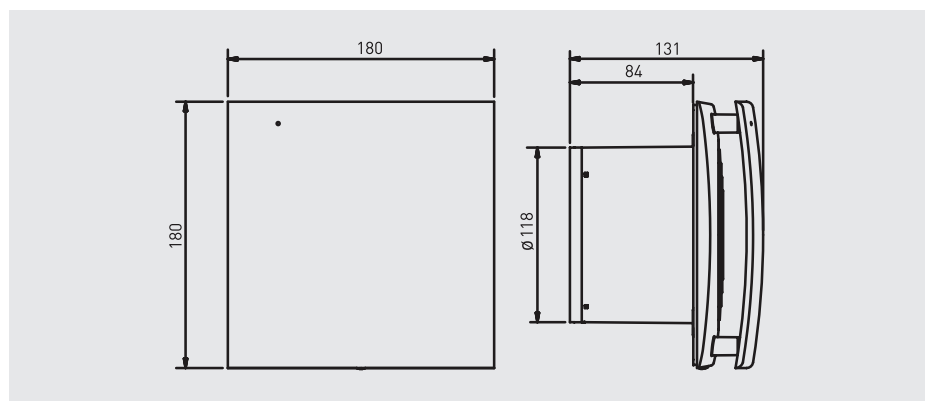
	C	CR	CH	SILVER
NEON LIGHT	●	●	●	●
BACKDRAUGHT SHUTTER	●	●	●	●
ADJUSTABLE OVER RUN TIMER		●	●	CR, CH models
ADJUSTABLE HUMIDITY SENSOR			●	CH model
"SILVER" FRONT COVER				●

## TECHNICAL CHARACTERISTICS

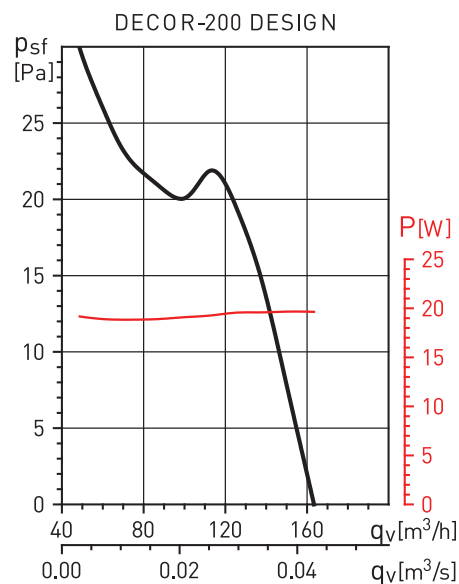
Model	Maximum absorbed power (W)	Tension (V-Hz)	Sound pressure level* (dB(A))	Maximum airflow (m <sup>3</sup> /h)	Insulation class Protection rating	Weight (kg)
DECOR-200 DESIGN	19,7	230-50	39	163	Class II / IPX4	0,9

\* Sound pressure level measured at 3 m at free air conditions.

## DIMENSIONS (mm)



## PERFORMANCE CURVE



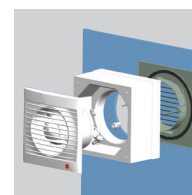
## ACCESSORIES



**GSA-125**  
Flexible aluminium ducting.



**GRA-100**  
**GRI-125**  
Aluminium exterior grille.



**WINDOW KIT 200**  
Accessory to allow DECOR-200 in a window.



Range of axial extractors with airflow rates of 230 m<sup>3</sup>/h, for connection to 150-160 mm diameter circular ducting.

All the fans are manufactured from injection moulded plastic and fitted with neon light indicator and single phase 230V-50Hz, class B motor equipped with overload thermal protection.

All the fans are class II insulation, IPX4 rated and suitable to operate with air temperature up to 40°C.



**Back draft shutter**

To prevent air entry and limit heat leakage when the extractor is not operating. It opens due to the pressure of the air.



**All versions available with "silver" front cover.**



Fans suitable to install at places between 15 and 25 m<sup>2</sup>.

## MODEL FEATURES

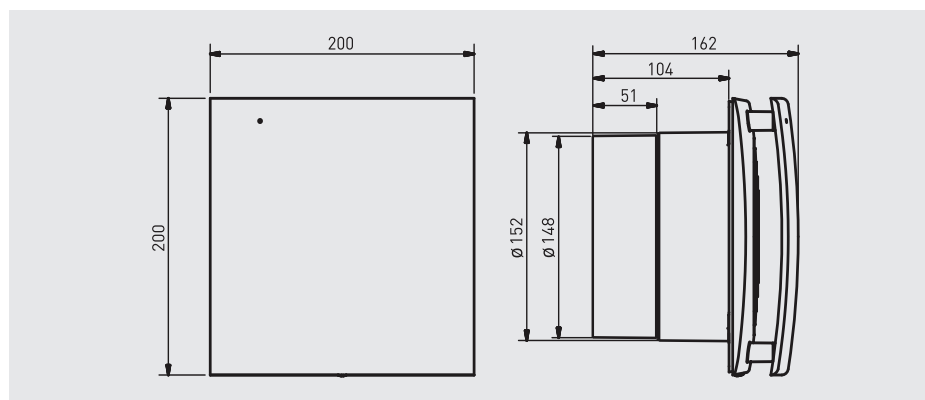
	C	CR	CH	SILVER
NEON LIGHT	•	•	•	•
BACKDRAUGHT SHUTTER	•	•	•	•
ADJUSTABLE OVER RUN TIMER		•	•	CR, CH models
ADJUSTABLE HUMIDITY SENSOR			•	CH model
"SILVER" FRONT COVER				•

## TECHNICAL CHARACTERISTICS

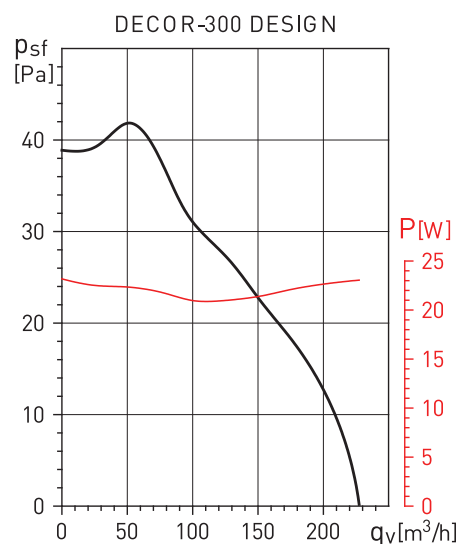
Model	Maximum absorbed power (W)	Tension (V-Hz)	Sound pressure level* (dB(A))	Maximum airflow (m <sup>3</sup> /h)	Insulation class Protection rating	Weight (kg)
DECOR-300 DESIGN	23	230-50	40	230	Class II / IPX4	1,6

\* Sound pressure level measured at 3 m at free air conditions.

## DIMENSIONS (mm)



## PERFORMANCE CURVE



## ACCESSORIES



**GSA-150**  
Flexible aluminium ducting.



**GRA-150**  
Aluminium exterior grille.



**REB**  
Single phase electronic speed controllers.