

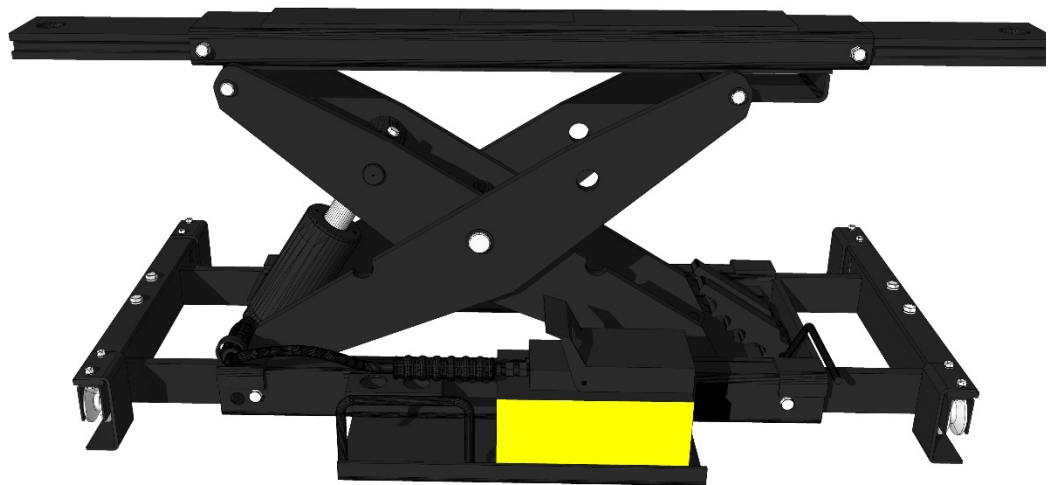
## Rolling Bridge Jacks

# Installation and Operation Manual

Manual P/N 5900093 — Manual Revision B — Released October 2020

Models:

- RJ45LP
- RJ45W
- RJ6W
- RJ7W
- RJ9W



**Designed and engineered by BendPak Inc. in Southern California, USA. Made in China.**

 **DANGER**

**Read the *entire contents* of this manual *before* using this product. Failure to follow the instructions and safety precautions in this manual can result in serious injury or death. Make sure all other operators also read this manual. Keep the manual near the product for future reference. *By proceeding with setup and operation, you agree that you fully understand the contents of this manual and assume full responsibility for product use.***

**Manual.** RJW Series of Rolling Bridge Jacks, *Installation and Operation Manual*, Manual Part Number 5900093, Manual Revision B, Released October 2020.

**Copyright.** Copyright © 2020 by BendPak Inc. All rights reserved. You may make copies of this document if you agree that: you will give full attribution to BendPak Inc., you will not make changes to the content, you do not gain any rights to this content, and you will not use the copies for commercial purposes.

**Trademarks.** BendPak and the BendPak logo are registered trademarks of BendPak Inc. All other company, product, and service names are used for identification only. All trademarks and registered trademarks mentioned in this manual are the property of their respective owners.

**Limitations.** Every effort has been made to ensure complete and accurate instructions are included in this manual. However, product updates, revisions, and/or changes may have occurred since this manual was published. BendPak reserves the right to change any information in this manual without incurring any obligation for equipment previously or subsequently sold. BendPak is not responsible for typographical errors in this manual. The latest version of this manual is always online at [the BendPak website](#).

**Warranty.** The BendPak warranty is more than a commitment to you: it is also a commitment to the value of your new product. Contact your nearest BendPak dealer or visit [www.bendpak.com/support/warranty](http://www.bendpak.com/support/warranty) for full warranty details. Go to [bendpak.com/support/register-your-product/](http://bendpak.com/support/register-your-product/) and fill out the online form to register your product (be sure to click **Submit**).

**Safety.** Your new product was designed and manufactured with safety in mind. Your safety also depends on proper training and thoughtful operation. Do not set up, operate, maintain, or repair the unit without reading and understanding the safety information in this manual and the labels on the unit. Contact BendPak if you are unclear about any safety aspect of this product; **do not use this product unless you can do so safely!**

**Owner Responsibility.** In order to maintain your product properly and to ensure operator safety, it is the responsibility of the product owner to read and follow these instructions:

- Follow all setup, operation, and maintenance instructions.
- Make sure product setup conforms to all applicable local, state, and federal codes, rules, and regulations, such as state and federal OSHA regulations and electrical codes.
- Read and follow all safety instructions. Keep them readily available for operators.
- Make sure all operators are properly trained, know how to safely operate the unit, and are properly supervised.
- Do not operate the product until you are certain all parts are in place and operating correctly.
- Carefully inspect the product on a regular basis and perform all maintenance as required.
- Service and maintain the unit only with approved replacement parts.
- Keep all instructions permanently with the product and make sure all labels are clean and visible.
- **Only use this product if it can be used safely!**

**Unit Information.** Enter the Model Number, Serial Number, and the Manufactured On date from the label on your unit. This information is required for part or warranty issues.

Model: \_\_\_\_\_

Serial: \_\_\_\_\_

Manufactured On: \_\_\_\_\_

<b>BP BendPak</b>		Santa Paula, CA USA <a href="http://www.bendpak.com">www.bendpak.com</a>
MODEL NUMBER		
DESCRIPTION		
LIFT CAPACITY		
DATE OF MFG.	SERIAL NUMBER	
<b>DANGER!</b> Disconnect Power Before Servicing		UPC
CE EAC		
WARRANTY VOID IF DATA PLATE IS REMOVED PN 5905150		

---

# Table of Contents

<b>Introduction</b> .....	<b>3</b>	<b>Operation</b> .....	<b>22</b>
<b>Shipping Information</b> .....	<b>4</b>	<b>Maintenance</b> .....	<b>26</b>
<b>Safety Considerations</b> .....	<b>4</b>	<b>Troubleshooting</b> .....	<b>27</b>
<b>Components</b> .....	<b>6</b>	<b>Accessories</b> .....	<b>28</b>
<b>FAQ</b> .....	<b>8</b>	<b>Labels</b> .....	<b>30</b>
<b>Specifications</b> .....	<b>9</b>	<b>Parts Sheets</b> .....	<b>32</b>
<b>Setup</b> .....	<b>10</b>	<b>ALI Store</b> .....	<b>43</b>

## Introduction

This manual covers the RJW Series of Rolling Bridge Jacks, which are used on four-post Lifts to raise two or four wheels off the Lift's Runway, making brake jobs and suspension work, for example, easier to do.

This manual covers the following RJW models:

- **RJ45LP:** Raises *low-profile* Vehicles up to 4,500 lbs / 2,041 kg
- **RJ45W:** Raises up to 4,500 lbs / 2,041 kg
- **RJ6W:** Raises up to 6,000 lbs / 2,721 kg
- **RJ7W:** Raises up to 7,000 lbs / 3,175 kg
- **RJ9W:** Raises up to 9,000 lbs / 4,082 kg

All models are ALI Certified accessories for many of the four-post Lifts with which they are used. ALI is the Automotive Lift Institute ([www.autolift.org](http://www.autolift.org)), an independent organization whose mission is to promote the safe design, construction, installation, inspection, and use of automotive Lifts.

This manual is mandatory reading for all users of these Rolling Bridge Jacks, including anyone who installs, operates, maintains, or repairs them.

**⚠ DANGER** Be very careful when installing, operating, maintaining, or repairing your unit; failure to do so could result in property damage, product damage, injury, or (in very rare cases) death. Make sure only authorized personnel operate the unit. All repairs must be performed by an authorized technician. Do not make modifications to the unit; this voids the warranty and increases the chances of injury or property damage. Make sure to read and follow the instructions on the labels on the unit.

Keep this manual on or near the equipment so that anyone who uses or services it can read it.

If you are having issues, refer to the **Troubleshooting** section of this manual for assistance. Technical support and service is available from your dealer, on the Web at [bendpak.com/support](http://bendpak.com/support), by email at [support@bendpak.com](mailto:support@bendpak.com), or by phone at **(800) 253-2363**, extension 196.

---

You may also contact BendPak for parts replacement information (please have the model and serial number of your unit available) at **(800) 253-2363**, extension 191.

## Shipping Information

Your unit was carefully checked before shipping. Nevertheless, you should thoroughly inspect the shipment before you sign to acknowledge that you received it.

When you sign the bill of lading, it tells the carrier that the items on the invoice were received in good condition. To protect yourself, do not sign the bill of lading until after you have inspected the shipment. If any of the items listed on the bill of lading are missing or are damaged, do not accept the shipment until the carrier makes a notation on the bill of lading that lists the missing and/or damaged goods.

If you discover missing or damaged goods after you receive the shipment and have signed the bill of lading, notify the carrier at once and request the carrier to make an inspection. If the carrier will not make an inspection, prepare a signed statement to the effect that you have notified the carrier (on a specific date) and that the carrier has failed to comply with your request.

It is difficult to collect for loss or damage after you have given the carrier a signed bill of lading. If this happens to you, file a claim with the carrier promptly. Support your claim with copies of the bill of lading, freight bill, invoice, and photographs, if available. Our willingness to assist in helping you process your claim does not make us responsible for collection of claims or replacement of lost or damaged materials.


## Safety Considerations

***Read this manual carefully before using your new product.*** Do not set up or operate the product until you are familiar with all operating instructions and warnings. Do not allow anyone else to operate the product until they are also familiar with all operating instructions and warnings.

### Rolling Bridge Jack Safety Information

Please note the following:

- The product is a Rolling Bridge Jack. ***Use it only for its intended purpose.***
- The product must only be operated by authorized, trained personnel.
- When the product is in use, keep all body parts away from it.
- Do not make any modifications to the product.

 **WARNING** When the Rolling Bridge Jack is on a raised Lift, **do not go under it!** If you notice a Roller out of position, get everyone out from under the Lift, carefully lower the Lift, reposition the Rollers back onto the Utility Rail, and then make sure the Safety Brackets and Adjustment Bolts are correctly installed and adjusted.


- Make sure all operators read and understand this *Installation and Operation Manual*. Keep the manual near the device at all times.
- Make a visual inspection of the product before using it every time. Check for missing or damaged parts. Do not use the product if you find any of these issues. Instead, take the Jack out of service, then contact an authorized repair facility, your distributor, or BendPak at **(800) 253-2363**.


- 
- Make a *thorough* inspection of the product at least once a year. Replace any damaged or severely worn cables, hydraulic hoses, decals, or warning labels. Do not use the product until worn or damaged items have been replaced.
  - Do not touch hot parts; you could be burned.
  - Take care locating cables and hoses; you do not want them driven over or stepped on.
  - Always wear steel-toed footwear and safety glasses when using the Jack.
  - Clear the area **immediately** if a Vehicle is in danger of falling off the Rolling Jack.
  - ***Make sure the Rolling Jack is engaged on its Safety Locks before starting work.***
  - Operating temperature range for a Rolling Jack is 41°F to 104°F (5°C to 40°C).
  - Make sure the weight of a Vehicle being raised by a Rolling Jack does **not** exceed its maximum lifting capacity.

## Symbols

Following are the symbols used in this manual:

 **DANGER** Calls attention to an immediate hazard that **will** result in death or severe injury.

 **WARNING** Calls attention to a hazard or unsafe practice that **could** result in death or severe personal injury.

 **CAUTION** Calls attention to a hazard or unsafe practice that could result in minor personal injury, product, or property damage.

**NOTICE** Calls attention to a situation that, if not avoided, could result in product or property damage.



**Tip**

Calls attention to information that can help you use your product better.

## Liability Information

BendPak assumes **no** liability for damages resulting from:


- Use of the equipment for purposes other than those described in this manual.
- Modifications to the equipment without prior, written permission from BendPak.
- Injury or death caused by modifying, disabling, overriding, or removing safety features.
- Damage to the equipment from external influences.
- Incorrect operation of the equipment.

---

# Components

Rolling Jack components include:

- **Scissor Structure.** Rolling Jacks are scissor lifts that are powered by air pressure from the Air-Operated Hydraulic Pump.
- **Air-Operated Hydraulic Pump.** Provides power to the Rolling Jack. The Air-Operated Hydraulic Pump must be attached to an air supply: 20 cubic feet per minute (.57 cubic meters per minute) and 100 psi (7 bar).
- **Foot Pedal.** Raises and lowers the Rolling Jack. Despite its name, you can use the Foot Pedal with your hands or your feet. Located on the top of the Hydraulic Pump.
- **Hydraulic Hose.** Connects the Air-Operated Hydraulic Pump to the Hydraulic Cylinder; comes connected.
- **Hydraulic Cylinder.** Moves the Scissor Structure up and down.
- **Safety Locks.** Hold the Rolling Jack in place once engaged. Always leave your Rolling Jack either fully lowered or engaged on its Safety Locks; ***never leave a Rolling Jack in an unlocked position with a Vehicle on it.***

 **WARNING** Before starting work on a Vehicle, make sure the Rolling Jack is engaged on its Safety Locks and the Lift Pads are in contact with the axle on the underside of the Vehicle.

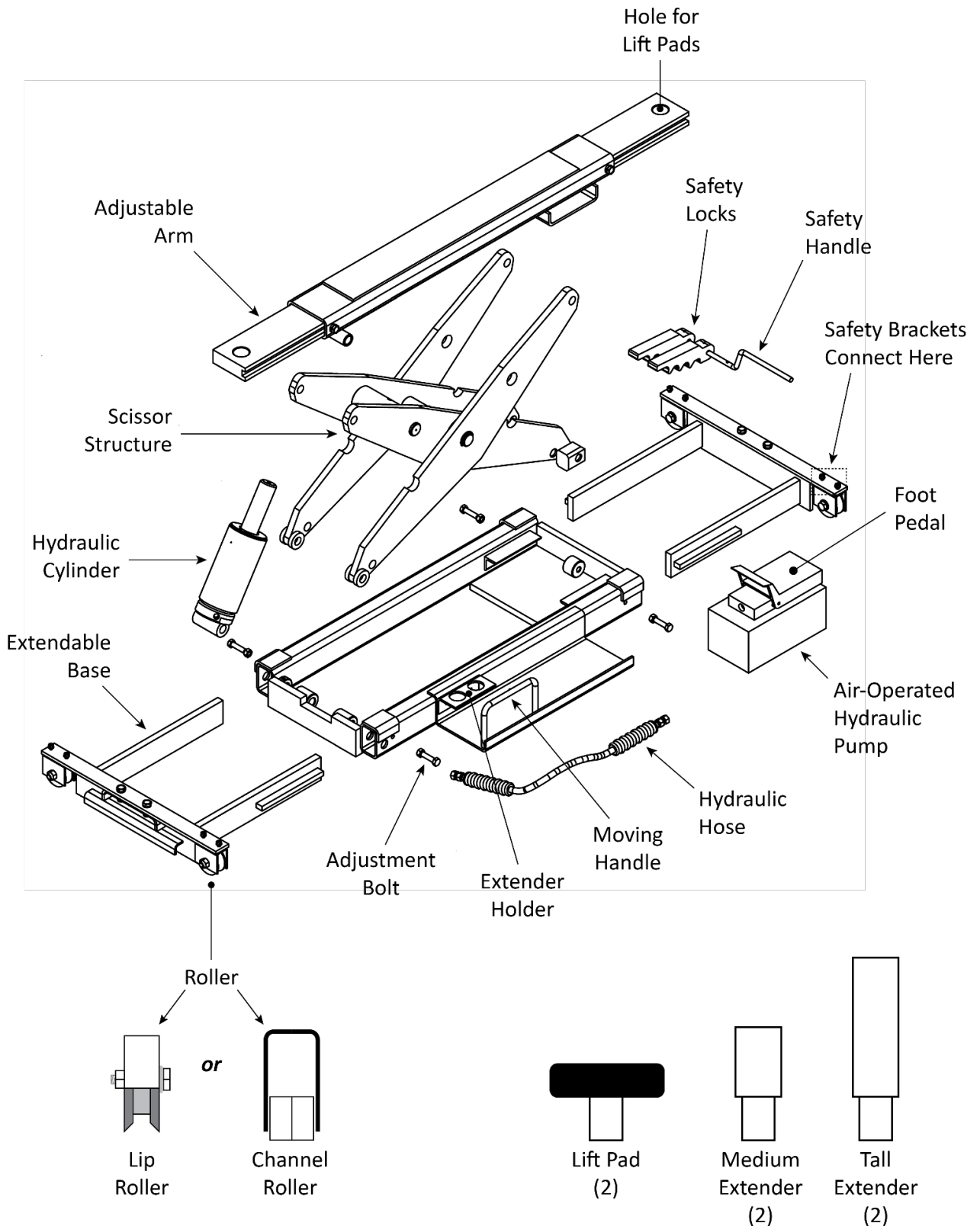
- **Safety Handle.** Moves the Rolling Jack off its Safety Locks so it can be lowered.
- **Adjustable Arms.** Slide in and out so you can precisely position the Lift Pads on the axles of the Vehicles you are lifting.
- **Lift Pads.** Position them under the axle on the underside of the Vehicle. Lift Pads fit into the holes on the end of the Adjustable Arms.



## Tip

If you have an RJ45W and want more control over where the Rolling Jack contacts the axles on the underside of Vehicles, the RJ45W Adapter Kit includes two sliding rubber contact pads and two sliding receivers.

- **Lift Pad Extenders.** Allow you to raise the height of the Lift Pads to better hit the axles on Vehicles. Two Medium and two Tall Extenders are included with the Rolling Jack.
- **Extender Holder.** Hold the Lift Pad Extenders when you are not using them.
- **Moving Handle.** Used to move the Rolling Jack. Not the same thing as the Safety Handle.
- **Extendable Bases.** Move in and out to accommodate the distance between the Lift's Runways.
- **Rollers.** Located on the ends of the Extendable Bases, the Lip Rollers or Channels Rollers sit on the Utility Rail Lip or in the Utility Rail Channel and let you move the Rolling Jack. Models RJ45W, RJ6W, and RJ7W have Lip Rollers. Model RJ9W has Channel Rollers.
- **Safety Brackets.** A safety feature, they hold the Rolling Jack in place on the Utility Rail. Installed after the Jack is put into place. ***Installation is mandatory.***
- **Adjustment Bolts.** Another safety feature, they hold the Extendable Bases in place. They come installed but not tightened. ***Tightening is mandatory.***



Model RJ7W shown. Some models vary slightly. Not necessarily to scale. Some components exaggerated for clarity.

---

# Frequently Asked Questions

**Question:** What kinds of Vehicles can I raise on my Rolling Jack?

**Answer:** A wide range of Vehicles. There are multiple Rolling Jack models, each supporting different weight capacities, so a wide range of Vehicles can be raised.

**Q:** If a Vehicle is already raised on a four-post Lift, why do I need a Rolling Jack?

**A:** A Rolling Jack gives you the option of raising two or four wheels of the Vehicle off the Runway, which makes certain automotive services (brake jobs, suspension work, tire changes, and so on) easier. Each Rolling Jack can raise two wheels of the Vehicle via its axle, so to get **four wheels** off the Runway, you need **two** Rolling Jacks.

**Q:** How does a Rolling Jack work?

**A:** Each Rolling Jack gets positioned between the Runways of a four-post Lift, such as an HD-9. They are used to raise the front or the rear of the Vehicle up off the Runway, via their axles. Having the Wheels off the Runways makes it easier to perform certain automotive services.

**Q:** What Rolling Jack goes with what BendPak Lift?

**A:** Rolling Jacks are associated with specific BendPak Lifts, based on weight capacities. So if you have a BendPak HD-**14** Lift, for example, you would need *two* RJ**7W** Rolling Jacks. Each Jack can only raise up to half of the weight for which the Lift is rated.

**Q:** Can I use a Rolling Jack on an Alignment Lift?

**A:** Yes. They work the same on an Alignment Lift.

**Q:** Are Rolling Jacks heavy?

**A:** Yes. You need a Shop Crane or Forklift to put them into position and you must not stand or walk under them. Your Rolling Jack was designed to stay in place, but you should always use extreme care when walking around under Lifts, raised Vehicles, and Rolling Jacks. ***BendPak strongly recommends walking around rather than under any raised Vehicle.***

**Q:** Why are the bases of a Rolling Jack extendable?

**A:** To accommodate different widths between Runways on some four-post Lifts.

**Q:** How is a Rolling Jack powered?

**A:** Via air pressure (that you supply) that connects to the Air-Operated Hydraulic Pump. The optional Air Line Kit (5174009) makes this easy; visit [the website page](#) for more information.

**Q:** How many Safety Lock positions does my Rolling Jack have?

**A:** Three. This gives you three heights to which you can raise and hold the Vehicle, whichever is best for the work you want to do.

**Q:** How long can I leave a Vehicle raised on my Rolling Jack?

**A:** For quite some time, as long as long as you leave the Rolling Jack engaged on its Safety Locks. Once the Safety Locks are engaged, gravity holds the Vehicle up, so a loss of air pressure has no impact; your Vehicle is going to stay where you left it. ***Always leave your Rolling Jack either fully lowered or engaged on its Safety Locks.***



# Specifications

Model	<b>RJ45LP</b>	<b>RJ45W</b>
Lifting capacity	4,500 lbs / 2,041kg	4,500 lbs / 2,041 kg
Minimum Drive-Over Height (Pad only)	4.25" / 108 mm	4.5" / 114 mm
Maximum Lifting Height (Pad only)	15.25" / 387 mm	15.5" / 394 mm
Minimum arm reach	42" / 1,067 mm	42" / 1,069 mm
Maximum arm reach	61" / 1,549 mm	57" / 1,449 mm
Maximum operating hydraulic pressure	2, 490 psi	2,490 psi
Shipping weight	306 lbs / 139 kg	380 lbs / 172 kg

Model	<b>RJ6W</b>	<b>RJ7W</b>	<b>RJ9W</b>
Lifting capacity	6,000 lbs / 2,721 kg	7,000 lbs / 3,175 kg	9,000 lbs / 4,082 kg
Min. Drive-Over Height (Pad only)	1.25" / 32 mm	4" / 102 mm	5.25" / 133 mm
Max. Lifting Height (Pad only)	12" / 305 mm	14.75" / 375 mm	16.25" / 413 mm
Minimum arm reach	42" / 1,062 mm	42" / 1,062 mm	42" / 1,062 mm
Maximum arm reach	56" / 1,426 mm	56" / 1,426 mm	56" / 1,426 mm
Maximum operating hydraulic pressure	3,370 psi	4,550 psi	5,020 psi
Shipping weight	426 lbs / 193 kg	431 lbs / 195 kg	445 lbs / 206 kg

***Specifications are subject to change without notice.***

## About Vehicle Wheelbases

A four-post *Lift* supports less weight than its rated capacity when the wheelbase of the Vehicle on the Lift is shorter. This is because the wheels of these shorter wheelbase Vehicles are closer to the middle of the Runways, where there is less strength. Consequently, the rated capacity of that Lift is less with these shorter wheelbase Vehicles on the Runways.

For example, if you want to raise a Vehicle with a wheelbase of only 100" on an HDS-14LSX Lift, the rated capacity of the Lift is reduced by 50% to 7,000 lbs (3,175 kg) for that Vehicle.

Rated capacity information is included in the Specifications section in the manual of all four-post Lifts. Refer to the manual for a specific Lift for additional information.

This reduced capacity based on Vehicle wheelbase does not impact the rated capacity of the Rolling Jacks used on those Lifts. Nevertheless, make sure to always check the rated capacity of the Lift your Rolling Jacks are being used on to make sure it does not exceed the rated capacity of the Lift for the Vehicle that is on the Lift.


---

# Setup


This section describes how to set up your Rolling Jack.

## Safety Rules

When installing a Rolling Jack, your safety depends on proper training and thoughtful operation.

 **WARNING** Do not install this equipment unless you have automotive lift installation training. Always use proper lifting tools, such as a Forklift or Shop Crane, to lift heavy components. Do not install this equipment without reading and understanding this manual and the safety labels on the unit.

Only fully trained personnel should be involved in installing this equipment. Pay attention at all times. Use appropriate tools and lifting equipment. Stay clear of moving parts.

 **WARNING** You must wear appropriate protective equipment during setup: leather gloves, steel-toed work boots, eye protection, back belts, and hearing protection.

## Tools

You may need some or all of the following tools:

- Hex key wrench set
- Medium crescent wrench
- Forklift, Shop Crane, or other heavy lifting device
- Medium flat screwdriver
- Tape measure, 25 feet or longer
- Air fitting, to connect the Air-Operated Hydraulic Pump to air pressure

## Preparing the Rolling Jack

After your Rolling Jack arrives, there are some things you have to do to get it ready for normal operation:

- **Remove it from its container.** The Rolling Jack comes in a wooden container that protects it during transport.

### **To remove the Jack from its wooden container:**

1. Where the Top meets the Sides, push the metal tabs all the way down, on all four sides.
2. Take the Top off.

You may have to apply some force to get all of the metal tabs free; they sometimes stick.

3. Remove the Accessory Box.
4. Remove the two Roller Assemblies.

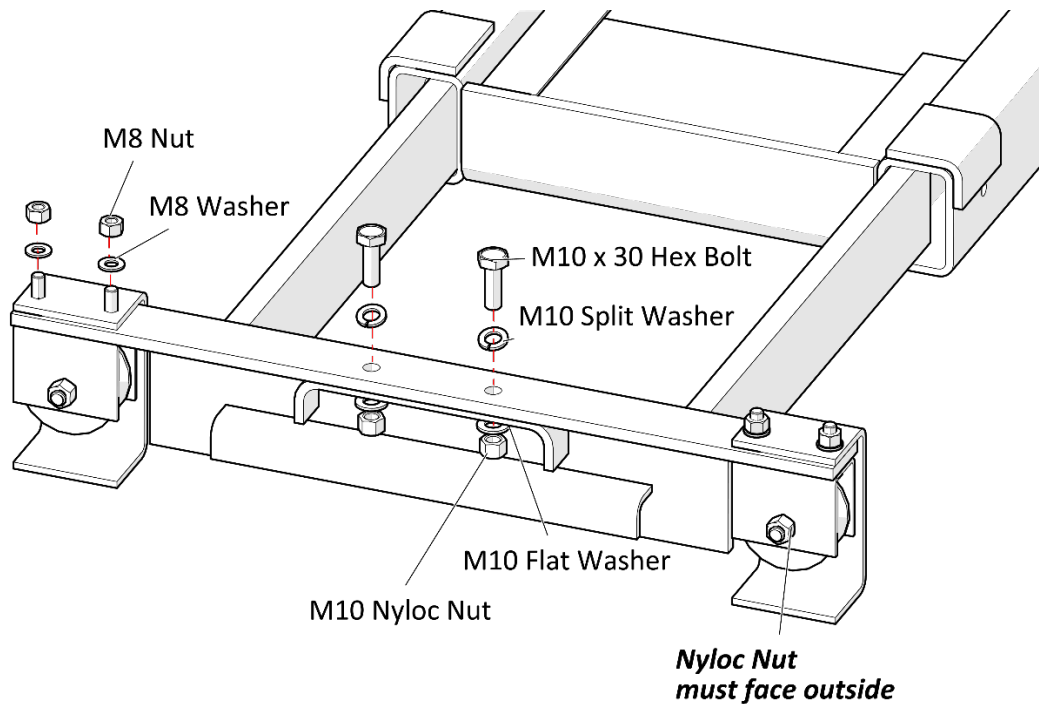
- **Make sure everything is there.** The Shipping Container should contain:
  - The Accessory Box, which includes the Manual, two black round Lift Pads, two Medium Extenders, and two Tall Extenders.
  - Four Safety Brackets.
  - Two Roller Assemblies.
  - The Rolling Jack, including the Air-Operated Hydraulic Pump.

If any of these items are missing, contact your dealer, go to [bendpak.com/support](http://bendpak.com/support), email [support@bendpak.com](mailto:support@bendpak.com), or call **(800) 253-2363**.

- **Install the Roller Assemblies.** You must install a Roller Assembly on each end of the Rolling Jack.

**To install a Roller Assembly:**

1. Raise the Rolling Jack off the ground by at least three inches.
2. Remove the two Bolts, Washers, and Nuts in the middle of each Roller Assembly.
3. Orient a Roller Assembly over the Extendable Base on one end of the Rolling Jack.  
The Nyloc Nut holding the Roller in place must face the outside of the Rolling Jack.



*Not necessarily to scale. Not all components shown. Top view.*

4. Replace the two Bolts in the middle of each Roller Assembly and **securely** tighten them.


---

## Preparing the Lift

Rolling Jacks go into the open space between the two Runways of a four-post Lift.

Keep the following in mind:

- **The Lift must be installed properly and operating normally.** Only use a Rolling Jack with a Lift that has been installed according to the manufacturer's instructions and is operating normally per those instructions.


 **WARNING** Do not set up or use a Rolling Jack if the Lift is not the model the Rolling Jack was designed for or the Lift was improperly installed. Instead, contact the manufacturer of the Lift or BendPak Customer Service at **(800) 253-2363** for instructions.

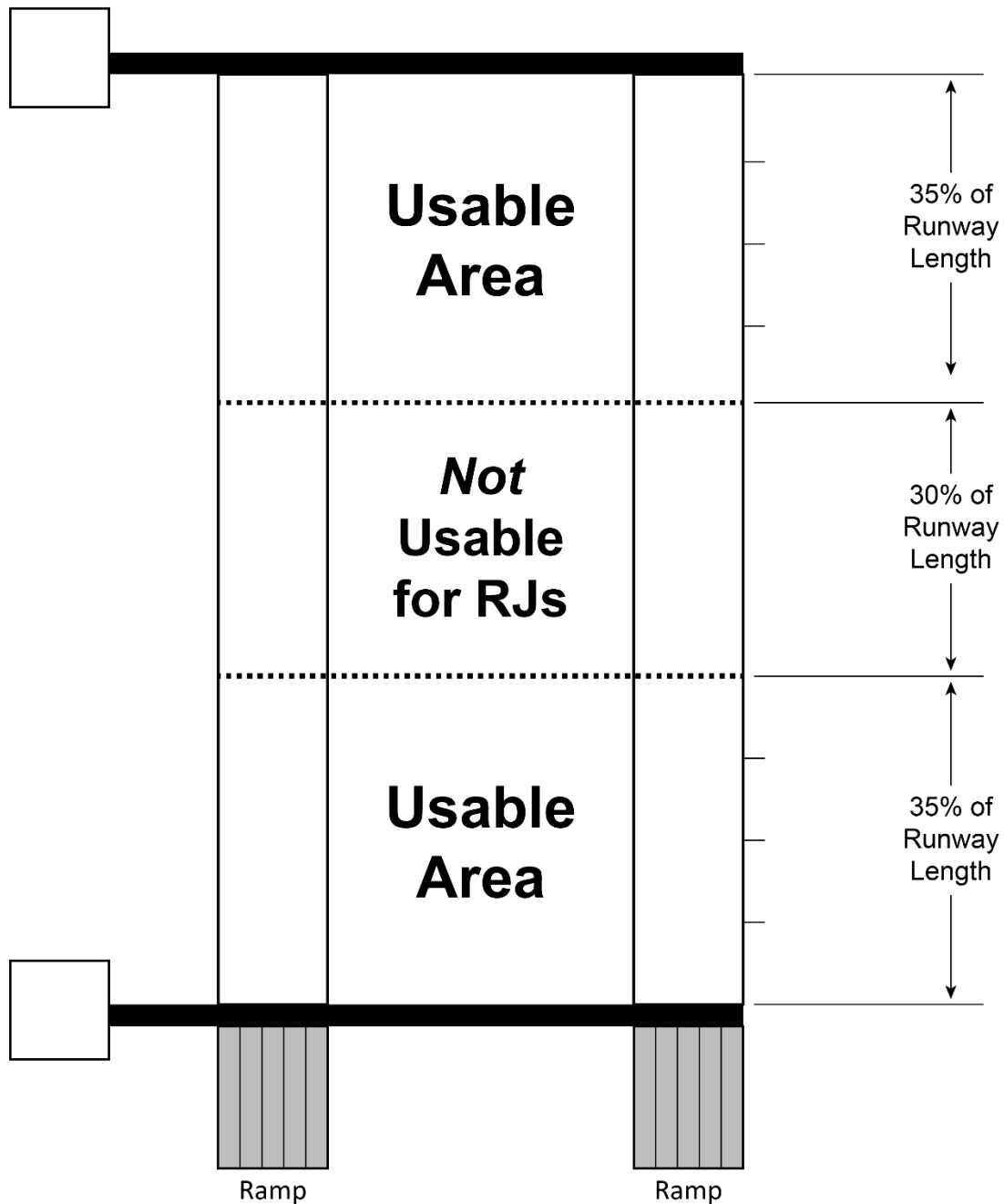
- **The Lift must be lowered.** Before putting your Rolling Jack into position between the Runways, fully lower the Lift or set it on its lowest Safety Lock position.



**Tip** If you are going to be using a Crane to position your Rolling Jack, you may need to lock the Lift on the lowest Safety Lock position to make room for the legs of the Crane.

- **You can only use the Rolling Jack in certain locations on the Lift.** This is because the strength of the Lift is less in the middle, so raising a Vehicle in the middle could permanently damage the Lift's Runways.

 **CAUTION** Using Rolling Jacks in the middle of the Lift could permanently damage the Lift's Runways. ***Damage caused by this unsupported use of Rolling Jacks is not covered by the warranty.***



*Drawing not necessarily to scale. Not all components shown. Top view.*

So what does this information mean:

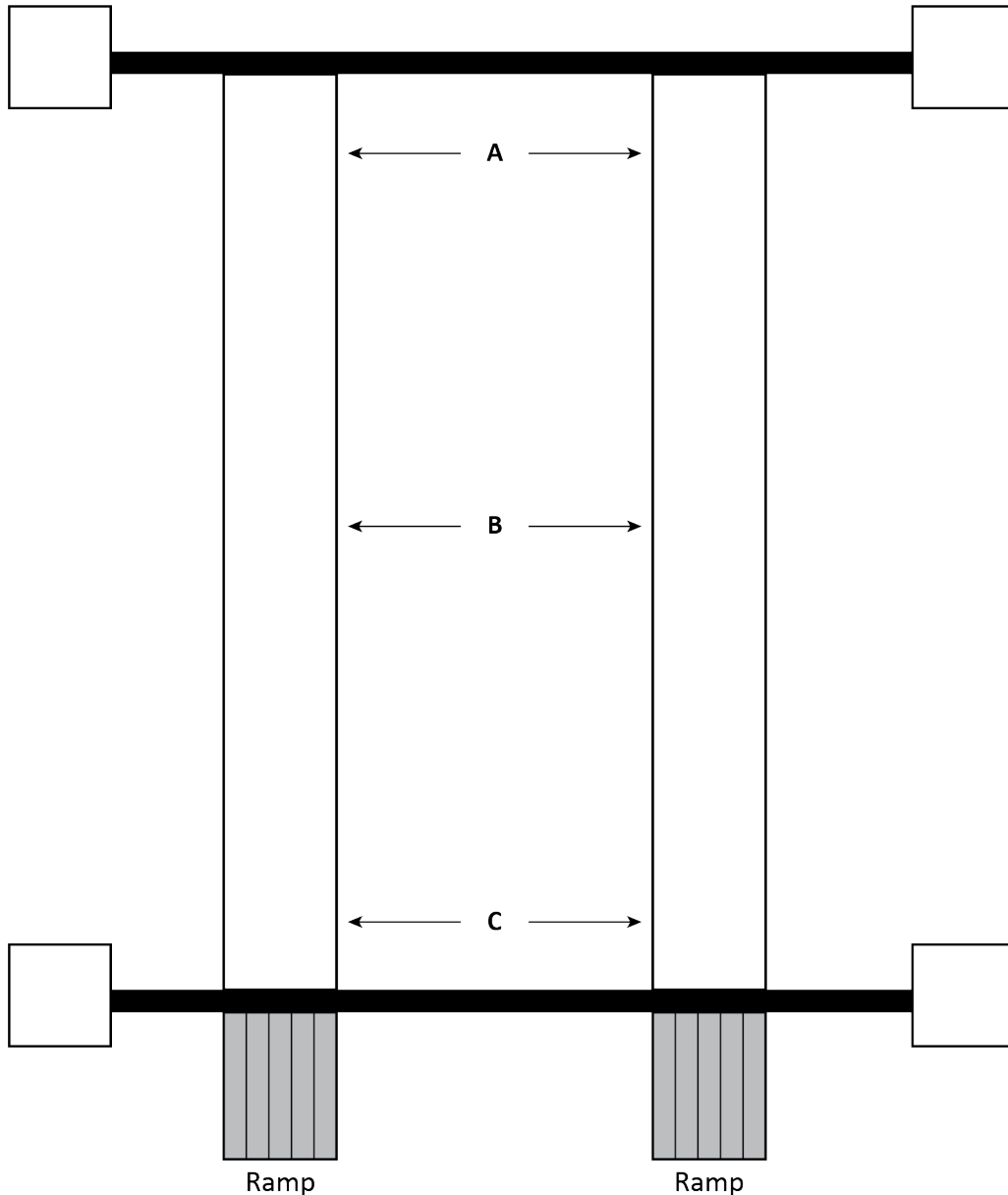
- If you are using **one** Rolling Jack on your Lift, do not use it in the unusable area.
- If you are using **two** Rolling Jacks on your Lift, center the Vehicle between the Front and the Back of the Runways, over the area that is not usable for Rolling Jacks. This gives you the most room on the two ends (the usable areas) for your Rolling Jacks.
- If you are using **two** Rolling Jacks, they must never be closer to each other than 30% of the length of the Runway of the Lift they are on, nor can either one be used in the unusable area.

Check the Specifications for your Lift for the length of the Runways and additional information.

- **The Lift Runways *must* be parallel.** Make sure the Lift Runways were installed parallel to each other. The distance between the Runways ***must be equal*** along the entire length of the Lift.

**⚠ WARNING** If the Lift Runways are ***not*** parallel, moving the Rolling Jack could force it off the Utility Rail, increasing the chances it could fall and be damaged or cause injury. If Lift Runways are not parallel, take the Lift out of service and get it adjusted so that the Lift Runways are parallel. Then can you use your Rolling Jack on the Lift.

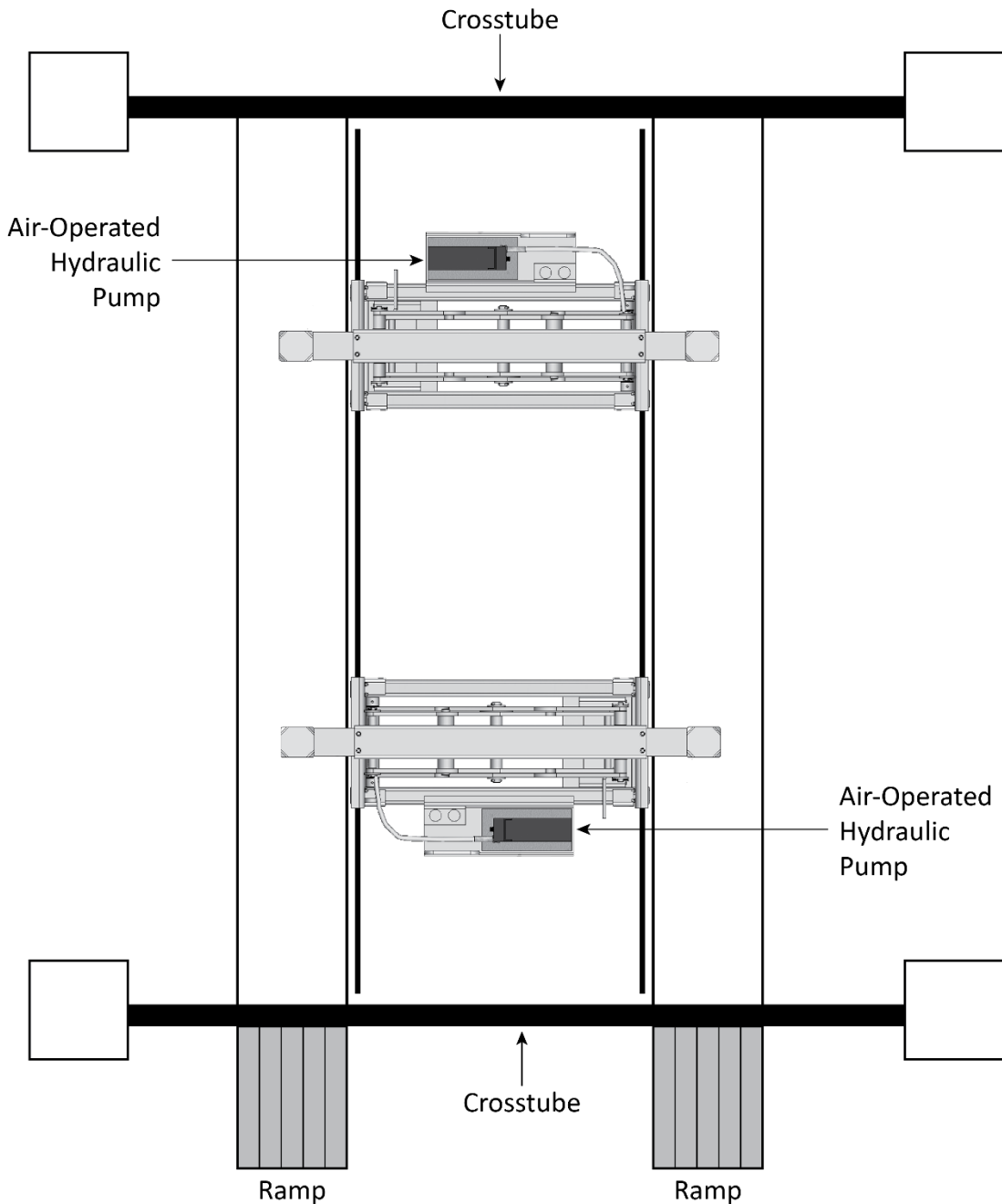
In the following drawing, the distance between the Runways at Points A, B, and C must be the same. If they differ, moving the Rolling Jack will be more difficult.



*Drawing not necessarily to scale. Not all components shown. Top view.*

- Orienting the Pump on the Lift.** You need to orient each Rolling Jack such that the Air-Operated Hydraulic Pump is facing the closest Crosstube, the outside of the Lift. This makes it easier to route the integrated air lines and access the Air-Operated Hydraulic Pump.

*When using two Rolling Jacks on a Lift, orient both pumps towards the outside of the Lift.*



*Drawing not necessarily to scale. Not all components shown. Top view.*

**Note:** BendPak HDSO model Lifts do **not** have a Front Crosstube; they are open in the front. If you have two Rolling Jacks on an HDSO Lift, orient the Air-Operated Hydraulic Pump on the Rolling Jack at the front of the Lift towards the open front of the Lift.

## Moving the Rolling Jack into Position

Rolling Jacks need to be moved into position on the four-post Lift using a Forklift, Shop Crane, or other device appropriate for lifting heavy loads.

Once in position, you need to tighten the Adjustment Bolts and install the Safety Brackets.

**⚠ WARNING** Pay close attention when moving the Rolling Jack into position; the weight is not evenly distributed. Make sure the Rolling Jack is held **securely** by a Forklift, Shop Crane, or other device appropriate for lifting heavy objects.

### To move a Rolling Jack into position on a four-post Lift:

1. Make sure the four-post Lift is either fully lowered or engaged on Safety Locks.
2. Make sure the Runways are the desired width apart.
3. Using a Shop Crane, Forklift, or other lifting device, raise the Rolling Jack and orient it appropriately between the Lift's two Runways. **Do not lower it onto the Utility Rail yet.**

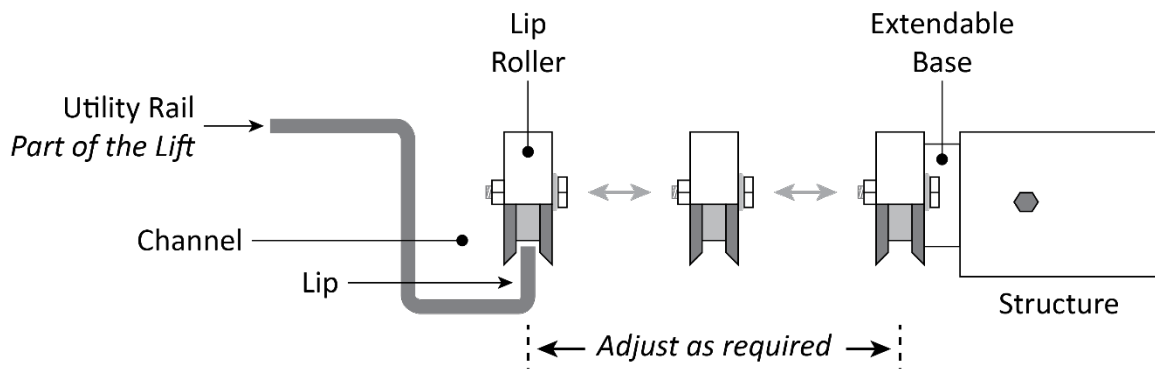
Remember to orient the Air-Operated Hydraulic Pump side appropriately: the Pump side of the Jack should face towards the Crosstubes of the Lift (*not towards the inside*).

4. Lower the Rolling Jack to just above the Utility Rails.

**Do not lower it onto the Utility Rails yet.**

5. Adjust the Extendable Bases of the Rolling Jack to the correct width.

The correct width is where the Lip Roller is directly over the Utility Rail Lip or the Channel Roller is directly over the Utility Rail Channel.

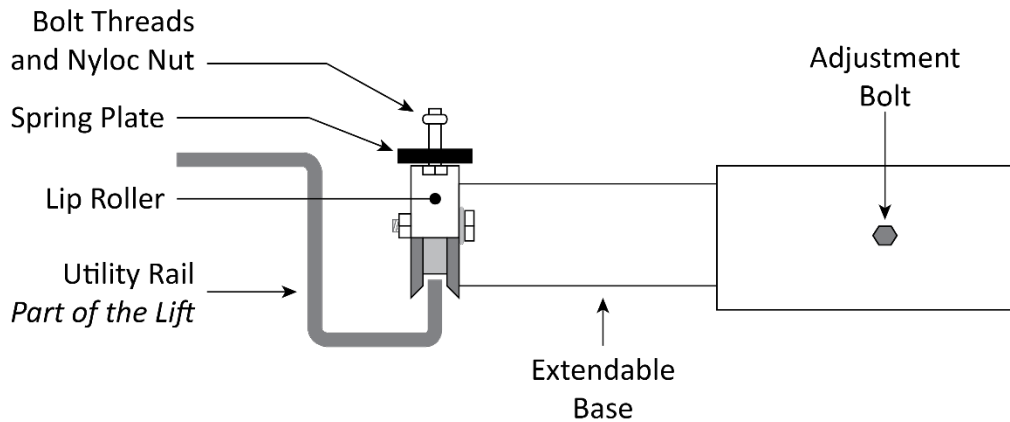


*Not necessarily to scale. Not all components shown. Side view. Shows Lip Roller over Utility Rail Lip.*



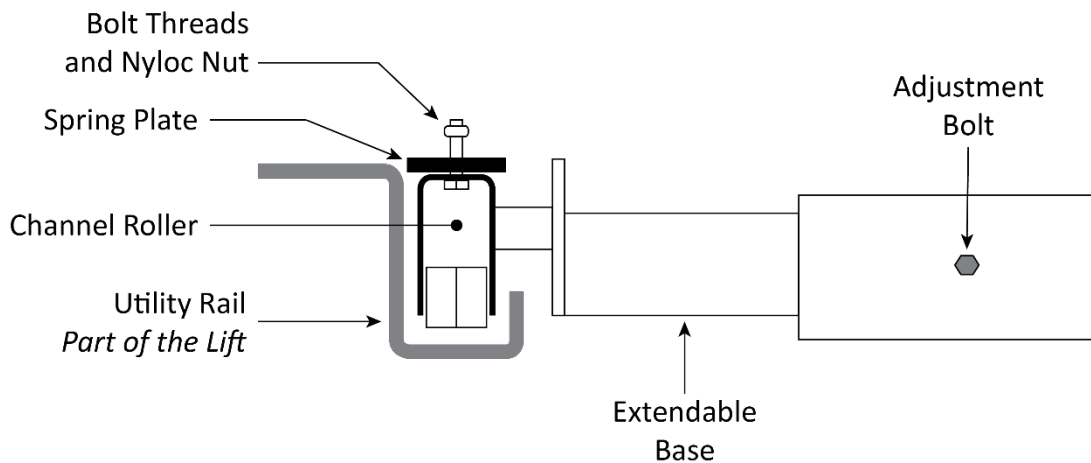
6. Confirm that all four Rollers are over the correct locations on the Utility Rails.
7. Lower the Rolling Jack onto the Utility Rail Lip or into the Utility Rail Channel, depending on model.

**The following drawing shows a Lip Roller** on the Utility Rail Lip. *Models RJ45W, RJ6W, and RJ7W use Lip Rollers.*



*Not necessarily to scale. Not all components shown. Safety Brackets not yet installed. Side view.*

**The following drawing shows a Channel Roller** in the Utility Rail Channel. *Model RJ9W uses Channel Rollers.*

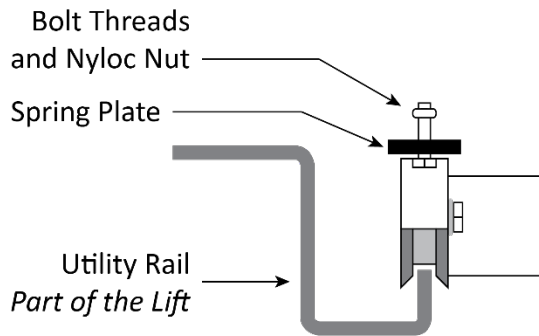


*Not necessarily to scale. Not all components shown. Safety Brackets not yet installed. Side view.*

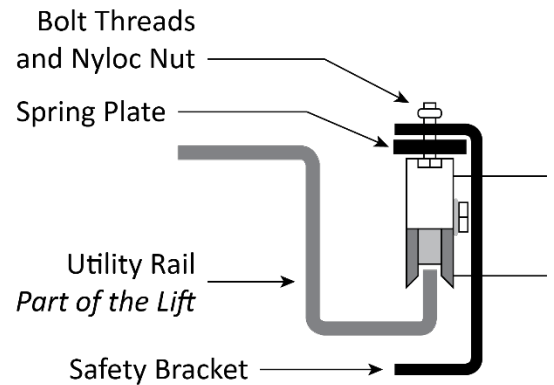
8. Make sure the Utility Rail Channel is clear of debris, then carefully move the Rolling Jack a short distance in both directions to verify operation.  
Check to make sure all Rollers are either on the Utility Rail Lip or in the Utility Rail Channel.
9. When the Rolling Jack is correctly situated on the Utility Rail Lip or in the Utility Rail Channel and operation has been checked, securely tighten all four Adjustment Bolts. This holds the Extendable Bases in place.

**⚠ WARNING** You are **required** to securely tighten all four Adjustment Bolts. This ensures the Jack stays in place on the Utility Rails. If the Adjustment Bolts are not tightened, there is a possibility the Rolling Jack could fall off the Lift, causing damage or injury.

11. Find the Safety Brackets that came with the Rolling Jack.
12. Remove the Nyloc Nuts at the top of the Bolt Threads coming up from the top of the Roller.
13. Put a Safety Bracket into place on the Bolt Threads—the Safety Bracket goes on the Rolling Jack side, not the Utility Rail side (see drawing below).



**Roller on Rail,  
No Safety Bracket**



**Roller on Rail,  
With Safety Bracket**

*Not necessarily to scale. Not all components shown. Side view. Shows a Roller without a Safety Bracket on the left and a Roller with a Safety Bracket on the right. **You must** install a Safety Bracket around each Roller.*

- ⚠ WARNING** You are **required** to install a Safety Bracket around each of the four Rollers of the Rolling Jack. They ensure the Jack stays in place on the Utility Rails. If you do not install the Safety Brackets, there is a possibility the Rolling Jack could fall off the Lift, causing damage or injury.

14. Securely tighten the Nyloc Nuts to hold the Safety Bracket in place.
15. Install the Safety Brackets on the other three Rollers of the Rolling Jack.
16. If you are installing **two** Jacks on the Lift: put the second Jack into place, securely tighten all four Adjustment Bolts, and then install all four Safety Brackets.
17. Raise the Lift (so that the Rolling Jack is off the ground) and engage the Lift on a Safety Lock.  
If you engaged the Lift on a Safety Lock in Step 1, you can ignore this step.

- ⚠ WARNING** Do not start using the Rolling Jack until you are certain the four-post Lift is engaged on its Safety Locks. If the four-post Lift is not engaged on its Safety Locks, it could move, impacting the stability of the Vehicle on the Rolling Jack, possibly causing it to fall off, and possibly causing damage or injury.

18. Check the clearance around, and movement of, the Rolling Jack.

Make sure the Rollers are centered in the Utility Rail Channel or on the Utility Rail Lip at all points along the usable portion of the Utility Rail.

19. If necessary, make adjustments to ensure proper operation.

***Do not use your Rolling Jack unless it is safe to do so!***

## Setting Up the Air-Operated Hydraulic Pump

Your Rolling Jack comes with an Air-Operated Hydraulic Pump, which provides air pressure to the Rolling Jack. It is your responsibility to supply air pressure to the Pump.

The Air-Operated Hydraulic Pump comes from the factory with Hydraulic Fluid. You do not need to add any at this point, unless the Hydraulic Fluid has leaked out. Checking the Hydraulic Fluid level is described in the next section.

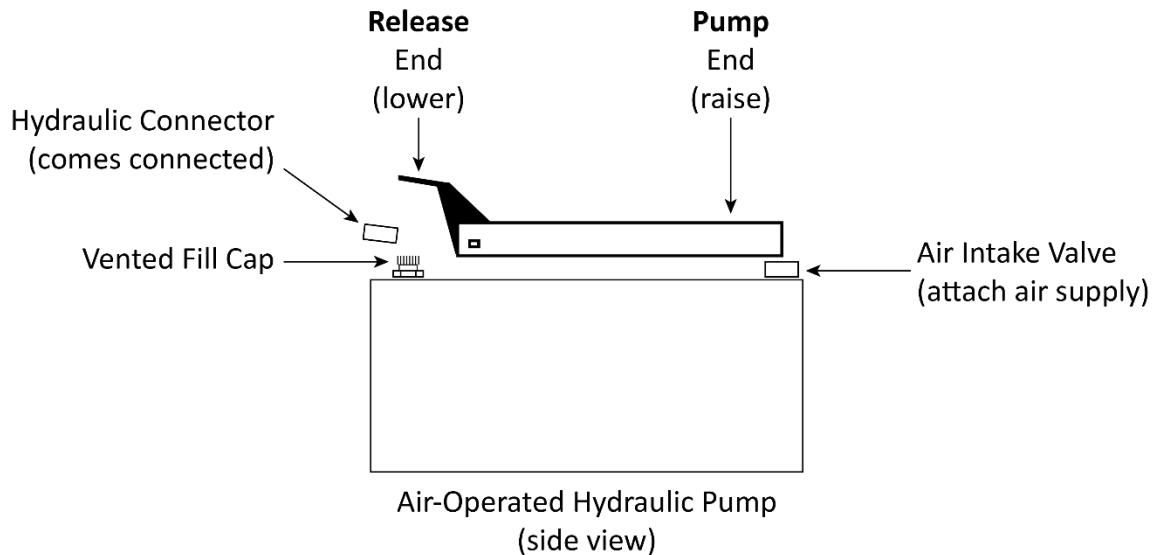
Air pressure should be set to 20 cubic feet per minute (.57 cubic meters per minute) and 100 psi (7 bar; bar is a metric unit of pressure).

Do not exceed 125 psi (8.6 bar) at any point, you can damage the Air-Operated Hydraulic Pump.

**⚠ WARNING** Before performing installation or maintenance, release the pressure currently in the system by pressing and holding the Release End of the Pump, then disconnect the Pump from its air pressure at the Air Intake Valve.

### To set up your Air-Operated Hydraulic Pump:

1. Remove the thread protector from the Air Intake Valve.



2. Install a threaded fitting (not supplied) that is compatible with your air supply into the Air Intake Valve.
3. Connect your air supply to the threaded fitting you just installed.

**⚠ CAUTION** An appropriate Air Line regulator and water separator must be installed on the air supply. **Failure to install these items could lead to damage and voids the warranty on pneumatic components.**

4. The Vented Fill Cap is tightened for shipment; loosen it approximately one turn counterclockwise before starting normal operation.

---

## Preparing for Operation

To prepare the Rolling Jack for normal operation, you need to:

- Make sure the fluid reservoir on the Air-Operated Hydraulic Pump has Hydraulic Fluid.
- Perform an operational test to make sure the Rolling Jack is working normally.

The fluid reservoir of your Rolling Jack was filled at the factory. Nevertheless, before using it, you should check the reservoir to make sure it still has Hydraulic Fluid.

**⚠ CAUTION** Do not run the Air-Operated Hydraulic Pump without fluid; you will damage it.

Approved fluids are any general purpose ISO-32, ISO-46, or ISO-68 Hydraulic Fluid or approved ATF fluids such as Dexron III, Dexron VI, Mercon V, Mercon LV, or any Synthetic Multi-Vehicle ATF.

### To check the Hydraulic Fluid reservoir of the Air-Operated Hydraulic Pump:

1. Remove the Vented Fill Cap.
2. Insert a dipstick or piece of plastic into the tank until it hits the bottom.
3. Remove the dipstick or piece of plastic and measure the amount of fluid.

The fluid level should be from 3.35 to 3.5 inches deep.

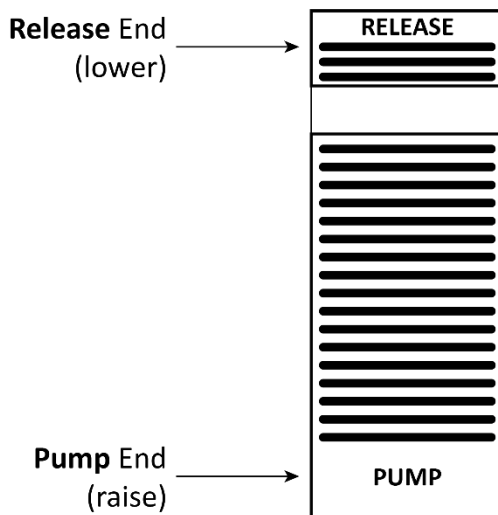
4. If the current level is below 3.35 inches, add approved fluid until it is between 3.35 and 3.5 inches.
5. If the current level is already between 3.35 and 3.5 inches, no action needs to be taken.
6. Reinstall the Vented Fill Cap.

You do not need a Vehicle on the Jack to test it.

### To test your Rolling Jack:

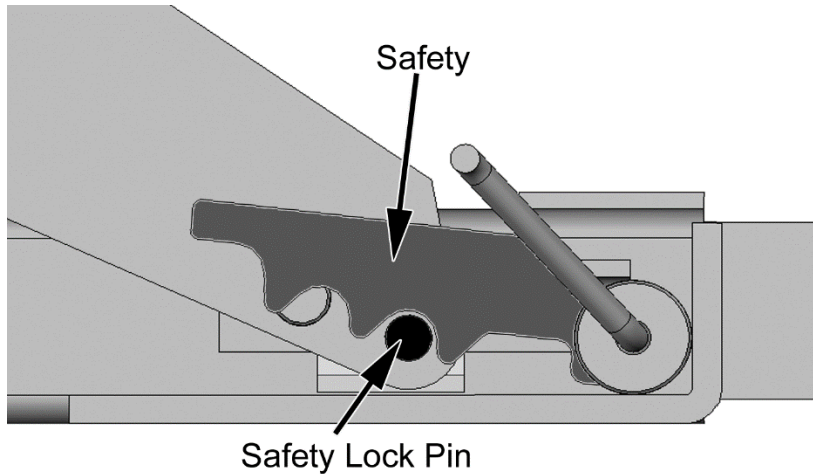
**⚠ WARNING** When raising or lowering your Jack, keep body parts, especially your hands, away from the Scissor Structure and the Adjustable Arms. You could be injured if you are not careful.

1. Press and hold the **PUMP** end of the pedal to begin raising the Rolling Jack.
2. When the Rolling Jack reaches the desired height, release the **PUMP** end.



If the Rolling Jack does not raise, refer to the [Troubleshooting](#) section.

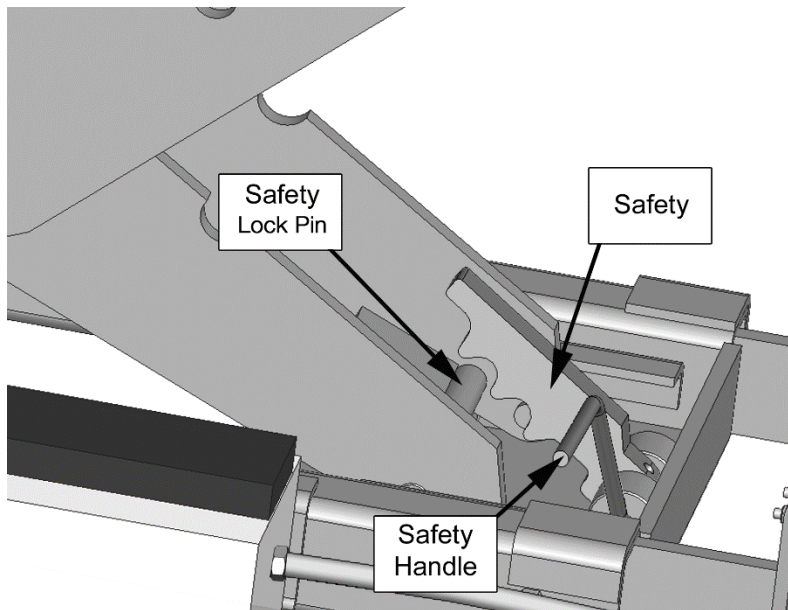
3. Press and hold the **RELEASE** end to lower the Rolling Jack down onto the nearest Safety Lock.
4. Release the **RELEASE** end of the pump when the Jack engages on the Safety Lock.



This drawing shows the Jack engaged on a Safety Lock; the Safety Lock is held in place on the Safety Lock Pin by the weight of the Vehicle on the Rolling Jack.

**⚠ WARNING** Only leave your Rolling Jack on a Safety Lock or fully lowered.

5. To lower the Rolling Jack: press the **PUMP** end of the pedal to get it off the Safety Lock Pin, pull up on the Safety Handle to move the Safety Lock Pins out of the way, then press and hold the **RELEASE** end of the Pump.



The Rolling Jack begins lowering.

6. When the Jack is fully lowered, release the **RELEASE** end of the pedal.  
Assuming the test went fine, your Rolling Jack is ready for normal operation.

If there were issues, resolve the issues before beginning normal operation. Refer to **Troubleshooting** for additional information.

---

# Operation

This section covers normal operation of your Rolling Jack.

## Safety Rules

**Important:** Your safety is dependent on reading, understanding, and implementing these Safety Rules. ***Do not skip over them; read them carefully and follow them!***

To use your Rolling Jack safely:

- Never stand under or walk under a Rolling Jack when the Lift is raised, whether there is a Vehicle on the Jack or not. **Safety first: walk around!**
- Check daily to make sure all Rollers are sitting correctly either **on** the Utility Rail Lip or **in** the Utility Rail Channel, depending on model. If one or more Rollers come off the Utility Rail Lip or out of the Utility Rail Channel, it could fall.

**⚠ DANGER** If you see any of the Rollers off the Utility Rail Lip, out of the Utility Rail Channel, or moving strangely, immediately move all persons away from the Lift and the Rolling Jack. When everyone is out of the way, carefully lower the Lift to the ground (if it is raised) and drive the Vehicle off (if there is a Vehicle on the Lift), as long as these things can be done safely. When the Lift is fully lowered, put the Rollers back onto the Utility Rail Lip or the Utility Rail Channel, then make sure the Adjustment Bolts and the Safety Brackets are installed and operating correctly. Do **not** put the Rollers back onto the Utility Rail Lip or into the Utility Rail Channel from underneath the Rolling Jack.

- After moving or using your Rolling Jack, check to make sure the Rollers are sitting correctly either on the Utility Rail Lip or in the Utility Rail Channel.

**⚠ WARNING** Use care when using your Rolling Jack. If it falls when the Lift is raised, it can damage the Jack, the ground underneath, or cause significant injury to anyone underneath it. **BendPak strongly recommends no one, ever, walk underneath your Rolling Jack when the Lift is raised.**

- Always keep the Utility Rail Channels clean. If there are liquid spills, wipe them up. If there is debris, clean it up. If anything other than your Rolling Jack is in the Utility Rail Channels, move those things.
- Before lowering the Lift, check underneath it to make sure there are no obstructions on the ground under the Rolling Jack. If there is something under the Rolling Jack, move it out of the way. The issue here is that if the Jack hits an obstruction on the ground, it could push the Jack out of position or off the Utility Rail, increasing the chances that it could fall.
- Before driving a Vehicle onto the Lift, make sure the Rolling Jack is **fully** lowered and the Lift Pads are removed; you do not want the underside of the Vehicle to contact any part of the Jack.
- Before and after driving a Vehicle onto the Lift, check to make sure the Rollers are sitting correctly on the Utility Rail Lip or in the Utility Rail Channel, depending on model.
- If a Vehicle accidentally knocks the Rolling Jack when being driven either onto or off of the Lift, the Jack may no longer be secure. Check to make sure the Rollers are sitting correctly on the Utility Rail Lip or in the Utility Rail Channel, the Adjustment Bolts and Safety Brackets are in place and operating normally, and the Rolling Jack is not damaged. If you find any of these situations, take the Jack out of service and fix the issues before resuming use of the Rolling Jack.

---

## Raising and Lowering

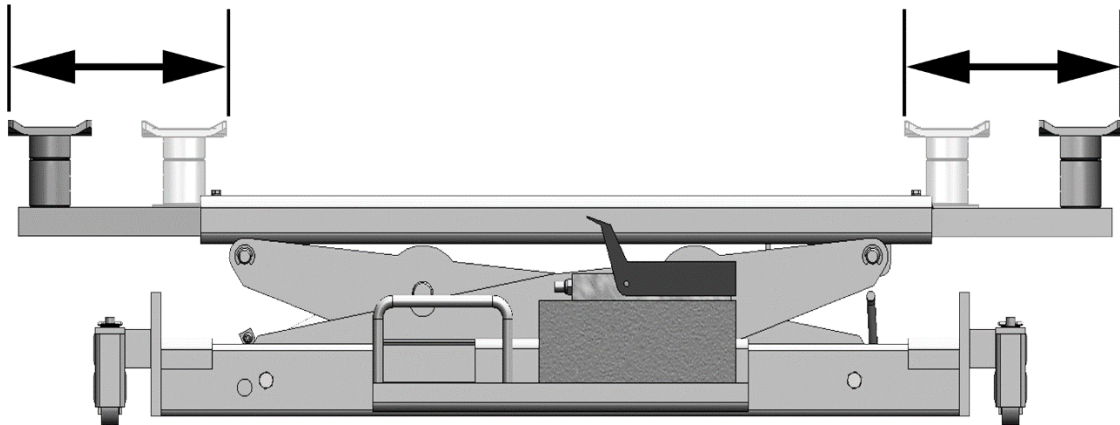
This section describes how to raise and lower your Rolling Jack.

### To raise a Vehicle on your Rolling Jack:

1. Drive the Vehicle onto the Lift.

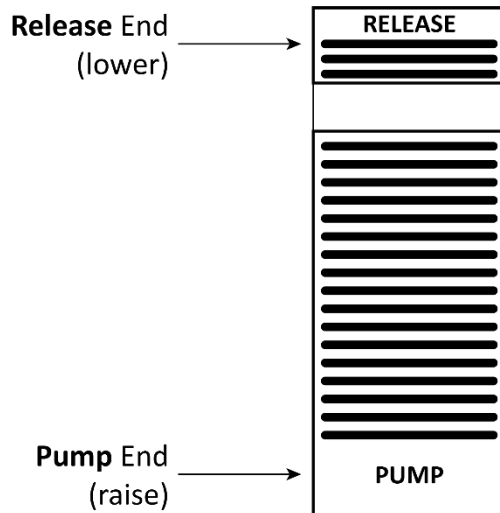
**⚠ WARNING** Make sure the arms of the Rolling Jack are **fully lowered** and the Lift Pads are removed so they do not hit the underside of the Vehicle when the Vehicle is driven onto the Lift. If a Vehicle does hit the Rolling Jack while being driven onto or off of the Lift, make sure the Rolling Jack has not been damaged, that all Rollers are correctly seated on or in the Utility Rail, the Adjustment Bolts are in place and tightened, and the Safety Brackets are in place.

2. Position the tires of the Vehicle in the center of each Runway.
3. Set the parking brake on the Vehicle and use a wheel chock to hold the Vehicle in position.
4. Check the Utility Rail Channels to make sure nothing is in them that could obstruct the movement of the Rolling Jack.
5. Check the area to make sure everyone and everything is clear of the Lift and the Rolling Jack; make sure there are no obstructions above the Vehicle.
6. Position the Adjustable Arms of the Rolling Jack so the Lift Pads are under the Vehicle's axles or contact the Vehicle manufacturer for recommended lifting points.



**⚠ WARNING** Make sure to raise the Vehicle on the axles or at the correct lifting points. Lifting at the wrong location could potentially damage the Vehicle and/or the Rolling Jack.

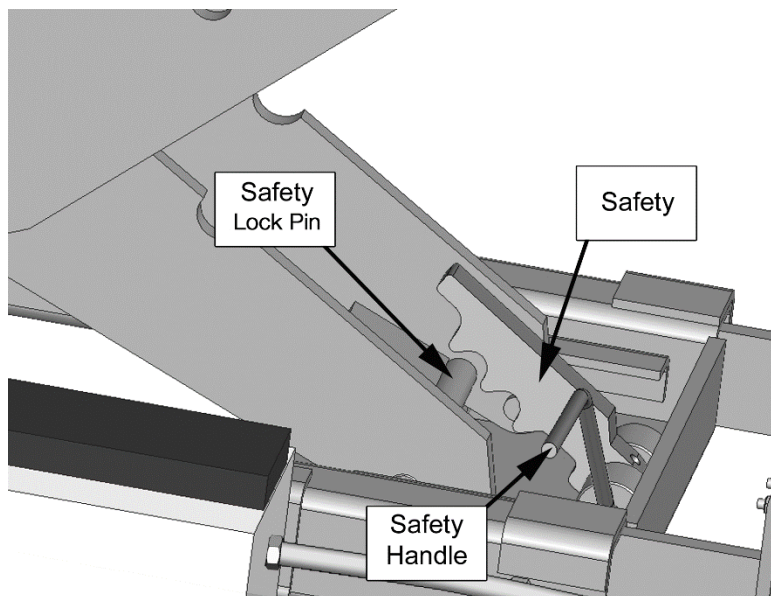
7. Press and hold the **PUMP** end of the pedal to begin raising the Rolling Jack.



8. When the Rolling Jack reaches the desired height, release the **PUMP** end, then press and hold the **RELEASE** end to lower the Rolling Jack onto the nearest Safety Lock.
9. Release the **RELEASE** end of the pump when the Jack engages on the Safety Lock (it will stop moving down).

#### To lower a Vehicle:

1. Press the **PUMP** end for about two seconds; this raises the arms a little, moving them off the Safety Locks.  
It is difficult to move the Safety Handle out of the way if the Jack is still engaged on the Safety Locks.
2. Pull the Safety Handle up out of the way, then press and hold the **RELEASE** end of the pedal.



The Rolling Jack begins lowering.

3. When the Jack is fully lowered, release the **RELEASE** end of the pedal.




---

## Moving a Rolling Jack

Tips for moving a Rolling Jack:

- **Never** try to move a Rolling Jack if it has a Vehicle raised on it.
- The easiest way to move a Rolling Jack is to use its Moving Handle when the Lift is lowered and no Vehicle is on the Lift.
- If you know what Vehicle you are going to be raising, move the Jack(s) to where you think the axles or lifting points will be **before** driving the Vehicle onto the Lift.
- Before moving a Rolling Jack, make sure the Rollers are sitting correctly on the Utility Rail Lip or in the Utility Rail Channel, depending on model. Also, **make sure the Adjustment Bolts and Safety Brackets are installed and working correctly.**

 **WARNING** The safest way to move a Rolling Jack is when the Lift is fully lowered and no Vehicle is on the Rolling Jack or on the Lift. BendPak strongly recommends always moving your Rolling Jack with the Lift fully lowered.

- **Do not ever stand or work under a Rolling Jack on a raised Lift.**

## Additional Operating Information

**Keep the following in mind when operating your Rolling Jack:**

- Check the weight of a Vehicle before attempting to lift it. Do not guess. Never exceed the rated load capacity of the Rolling Jack.
- Lift Pads must **always** be used; make sure they are correctly positioned under the axle of the Vehicle you are raising. Do not raise a load without the Lift Pads. Only the Lift Pads should touch the Vehicle.
- Visually inspect your Rolling Jack before each use. Do not use it if you find damage or severe wear. Make sure the Rollers are on or in the Utility Rails.
- Do not rock the Vehicle while it is raised or remove items that could cause excessive weight shift.
- Keep the Utility Rail Channels and Lips clean and free from debris.

## Hydraulic Power System Warnings

 **WARNING** Failure to observe these precautions can result in serious personal injury, including, in rare cases, death.

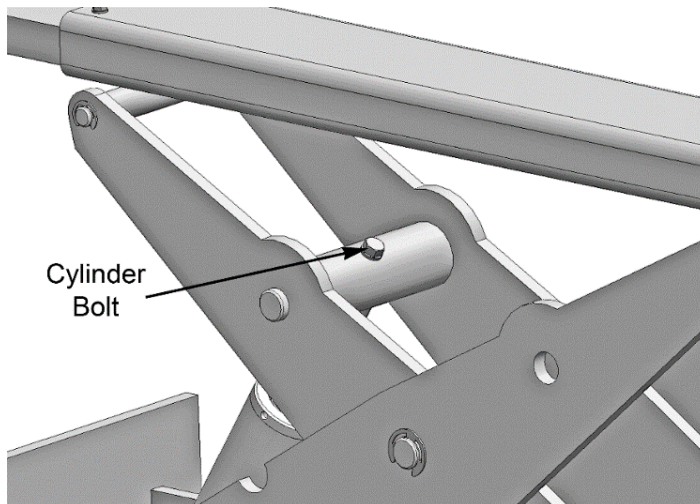
- The Air-Operated Hydraulic Pump must be correctly connected to the Rolling Jack before raising a Vehicle or applying air pressure.
- Do not attempt to connect or disconnect hoses while a Vehicle is raised or while the hydraulic system is under pressure.
- Guard against dirt getting into the Air-Operated Hydraulic Pump.
- Keep bare hands away from the Hydraulic Fluid.
- When dealing with the Hydraulic Fluid, observe the safety instructions of the manufacturer.
- Use protective equipment (like safety goggles, protective gloves, suitable working clothes, safety boots, and so on) when dealing with the hydraulic system.
- If Hydraulic Fluid comes into contact with the eyes, gets into the bloodstream, or is swallowed, seek immediate medical attention.

# Maintenance

**⚠ WARNING:** Before performing **any** maintenance, remove air pressure from the system, then disconnect the air pressure supply from the Air-Operated Hydraulic Pump.

## To maintain your Rolling Jack:

- Keep the Rolling Jack clean; wipe up any oil spills. Do not let dirt get into the hydraulic system.
- **Daily.** Make a visual inspection of all moving parts and check for damage or excessive wear. Replace any damaged or worn parts before equipment is put back into operation.
- **Daily.** Make sure the Safety Locks are in good operating condition. Do not use your Rolling Jack if the Safety Locks are damaged, excessively worn, or out of place.
- **Daily.** Inspect Lift Pads for damage or excessive wear. Replace as required with BendPak parts.
- **Weekly.** Lubricate all rollers with general purpose oil or WD-40.
- **Weekly.** Check all hose connections, bolts, and pins to make sure they are properly mounted.
- **Weekly.** Lubricate the Safety Lock pivot points with general purpose oil or WD-40.
- **Weekly.** Check (and tighten, if necessary) the Cylinder Bolt.



- **Every other month.** Check the Air-Operated Hydraulic Pump fluid level and refill if required.
- **As needed.** Replace all caution, warning, and safety-related labels if illegible or missing.
- **As needed.** Reorder labels and worn or damaged parts from BendPak.

## To maintain Hydraulic Fluid:

1. Remove the Vented Fill Cap.
2. Insert a dipstick or piece of plastic into the tank until it hits the bottom.
3. Remove the dipstick or piece of plastic and measure the amount of fluid.  
The Hydraulic Fluid level should be from 3.35 to 3.5 inches deep.
4. If the current level is below 3.35 inches, add Hydraulic Fluid until it is from 3.35 to 3.5 inches.

---

## Disposing of Hydraulic Fluid

Used Hydraulic Fluid cannot be thrown in the regular trash or dumped into the environment. This pollutes the environment and is illegal.

Instead, take it to a recycling center. Used/dirty Hydraulic Fluid can be cleaned and re-used.

**Important:** If your Hydraulic Fluid is **contaminated** (by being mixed with other fluids such as antifreeze, gasoline, or solvents), you must treat it like a hazardous waste and take it for disposal at an appropriate facility. Contaminated is different than used/dirty.

In summary:

- If you have dirty/used Hydraulic Fluid, take it to a fluid recycling center.
- If you have contaminated Hydraulic Fluid, take it to a hazardous waste collection facility.

If you do not know how to find an appropriate facility, go to [earth911.com](http://earth911.com) or look for resources in your state or local area.

## Troubleshooting

This section describes how to troubleshoot your Jack.

Issue	Action to Take
Jack does not lift load.	Make sure load is not too heavy. Make sure Rolling Jack is getting appropriate air pressure from the air supply. Make sure the Air-Operated Hydraulic Pump has sufficient Hydraulic Fluid and the hose is connected to the Rolling Jack. Make sure dirt has not gotten into the hydraulic system. If it has, replace the Hydraulic Fluid and clean the hydraulic system.
Jack does not move along Utility Rail.	Make sure the Utility Rail Channels and Lips are clear of obstructions. Make sure the Rolling Jack is correctly situated on the Utility Rail Channel or Lip. Check with BendPak to make sure the Rolling Jack is installed on an approved Lift.
Jack raises load but does not stay up.	Make sure you put the Rolling Jack onto a Safety Lock when the load is at the desired height. The Rolling Jack is meant to raise and lower loads; it is not designed to hold a load indefinitely unless the load is on a Safety Lock. Make sure the Rolling Jack is not leaking Hydraulic Fluid.

If you continue to have issues with your Rolling Jack, take it out of service, then contact your dealer, go to [bendpak.com/support](http://bendpak.com/support), email [support@bendpak.com](mailto:support@bendpak.com), or call **(800) 253-2363**.

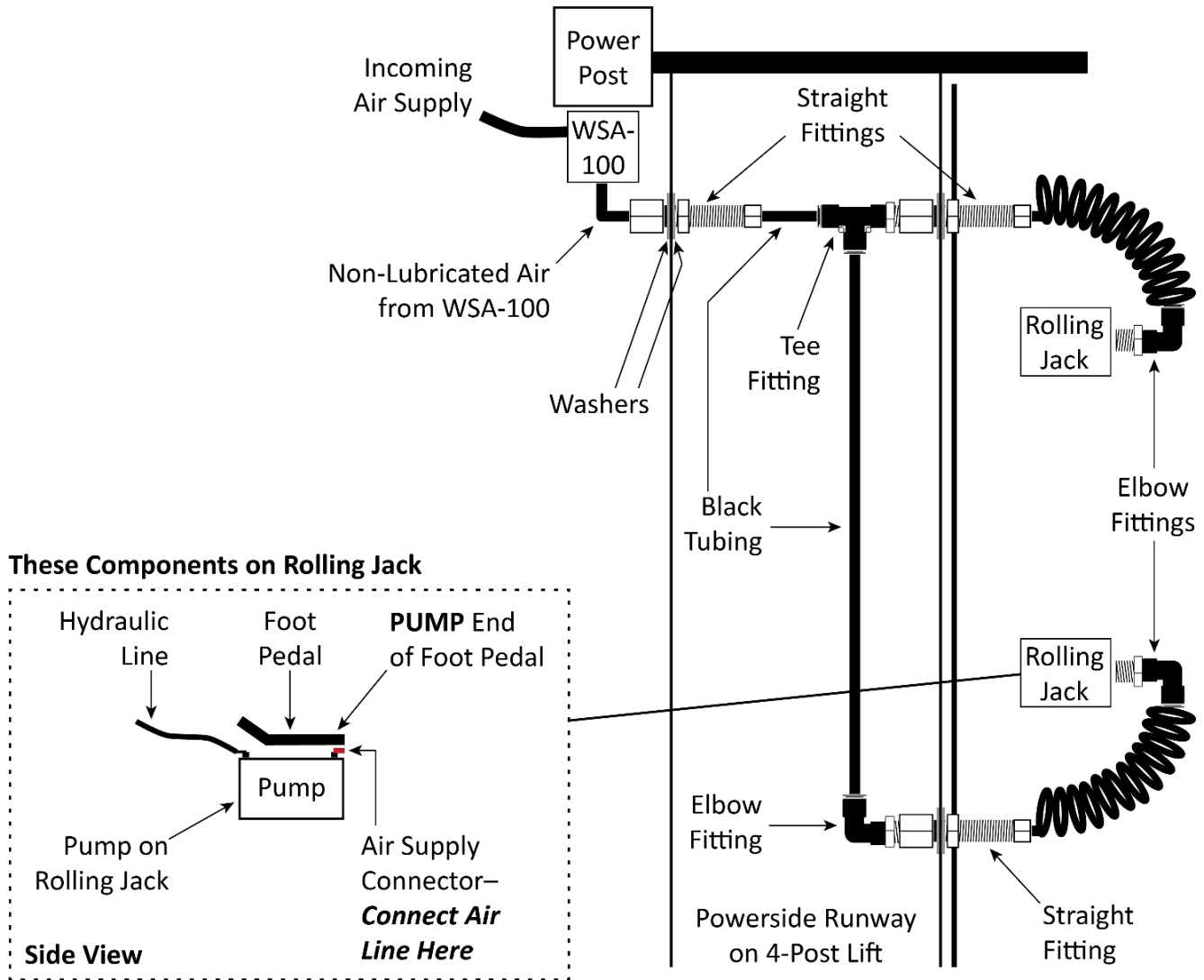
# Accessories

Accessories available for the RJW Series of Rolling Jacks are described in this section.

## Optional Air Line Kit

An Air Line Kit lets you easily route the customer-provided air source to the Rolling Jacks on your BendPak Four-Post Lift. One AK-14 Air Line Kit gives you the infrastructure for *two* Rolling Jacks.

The following drawing is a Top View of the **underside** of the Powerside Runway of a Four-Post Lift. It shows the path the incoming air takes to get to the Air Supply Connector on each Rolling Jack Pump. The top of the Runway is not shown.



There are four Air Line Kits available. Make sure you have the correct one for your Lift:

- **SKU 5174008.** For XR-12000A Lifts. Includes extra Fitting for use next to alignment turnplate.
- **SKU 5174009.** For HD-9, HD-12, HD-14, HDS-14, and HDSO-14 series four-post Lifts.
- **SKU 5174010.** For HDS-18 / 27 / 35 four-post Lifts.
- **SKU 5174011.** For HDS-27X / 35X / 40X four-post Lifts.

Visit [the website page for the Air Line Kit](#) for more information.

---

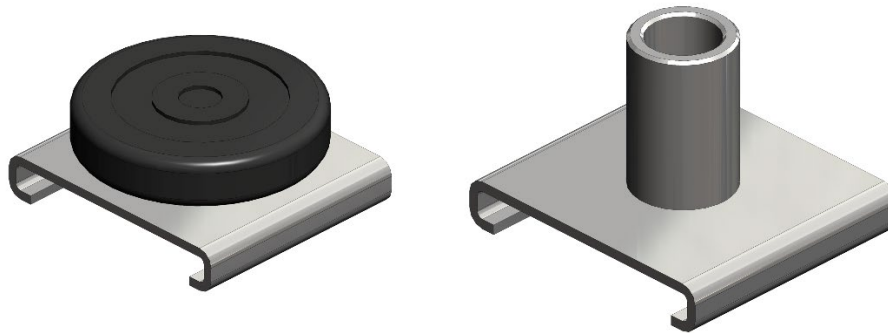
## RJ45W Adapter Kit

The RJ45W Adapter Kit is a four-piece kit that increases the capabilities of the RJ45W Rolling Jack by providing sliding adapters that mount on the main center tube.

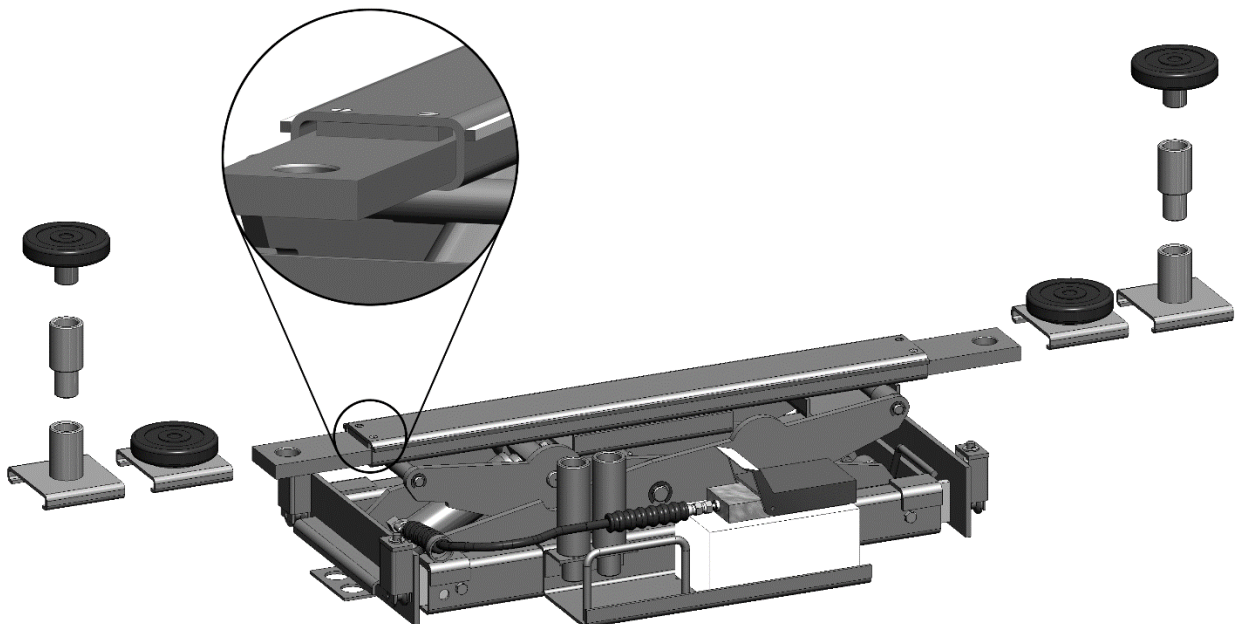
**Note:** This Adapter Kit *only works with the RJ45W* Rolling Jack; it cannot be used with other models.

The Adapter Kit includes:

- Two low-profile sliding rubber contact pads
- Two sliding receivers that accommodate the standard RJ45W Lift Pads or stackable adapters



This image shows the short round Lift Pad on the left and the Lift Pad base on the right.



This image shows how to slide the adapters into place. You can adjust the positions of the adapters so that the Lift Pads make contact with the appropriate lifting points for the Vehicle you are lifting.

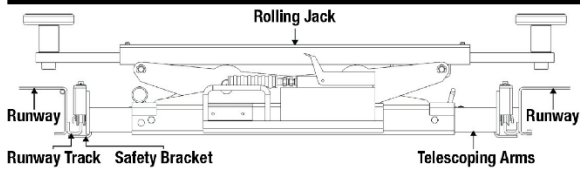
Visit [the website page for the Adapter Kit](#) for more information.

# Labels

A

<b>⚠ WARNING</b>	<p><b>SERVICE REQUIREMENT EVERY 30-DAYS</b></p> <p>Keep entire jack and pump unit clean and free of debris. Lubricate both sides of all moving parts and pivot points on jack unit with multi-purpose lithium based grease, penetrating oil or 90-wt gear oil. Use enough lubrication to properly maintain all moving parts, but avoid over application. Apply silicone lubricant to smaller items such as handles and lock hinges. Always promptly remove excess grease and debris from jack unit and pump unit. If you choose to have this equipment serviced by a service technician, always perform a personal inspection of all points to be sure nothing was overlooked. Warranty will be void on this equipment if service maintenance is not performed on a regular basis.</p>	 <p style="font-size: 8px;">P/N # 906552</p>
------------------	--	---

B

<b>⚠ WARNING-PLEASE READ</b>
<p>Read and understand all instructions before using this jack. Adjust rolling jack telescoping ends until rollers rest securely on runway tracks as shown. NEVER use rolling jack unless Safety Bracket is installed. REMAIN CLEAR of elevated rolling jack unless visual confirmation is made that jack rollers are secure on runway racks. BE CAREFUL WHEN ADJUSTING ROLLING JACK OR LIFT RUNWAYS to prevent rolling jack from becoming separated from runway tracks. Failure to read, understand and follow these instructions may cause death or serious injury.</p>
 <p style="font-size: 8px;">P/N # 5905253</p>

C

<b>⚠ WARNING</b>
<p><b>IMPROPER USE OF THIS ROLLING JACK MAY RESULT IN SERIOUS BODILY HARM!</b></p> <p>Always ensure that this rolling jack is positioned correctly on the runway rail assembly BEFORE raising the lift or working on or near the vehicle. KEEP HANDS CLEAR of all pinch points. NEVER use lift adapters other than those specifically designed for this jack.</p>
<p style="font-size: 8px;">PN 5905190</p>

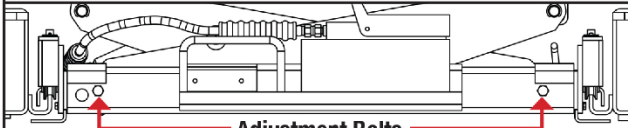
D

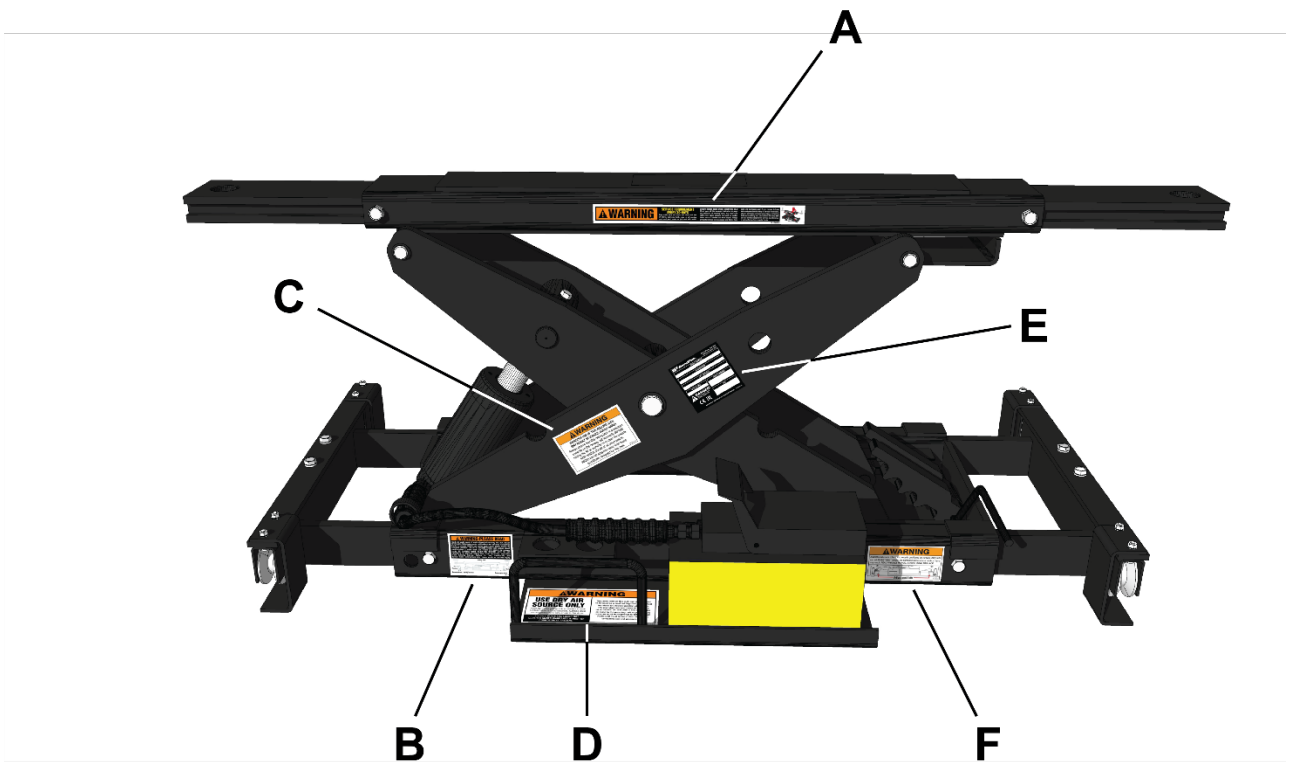
<b>⚠ WARNING</b>	
<p><b>USE DRY AIR SOURCE ONLY</b></p> <p>Warranty will be void on this equipment if water contamination is found apparent. ALWAYS drain air compressor tank daily or use in-line dryer.</p>	<p>The pump unit on this jack was not designed to be used as a load holding device, jack must be raised to a locked position at all times. The manufacturer recommends installing an automatic air line oiler in the air inlet line as close to the pumping unit as possible. Air pressure must be regulated to 125 P.S.I. MAX. Pump unit must be kept clean to prevent contamination and pressure loss.</p>
<p><b>SERVICE PARTS AND LABOR NOT COVERED UNDER WARRANTY IF RUST OR CORROSION IS PRESENT.</b></p>	<p style="font-size: 8px;">PN 5905150</p>

E

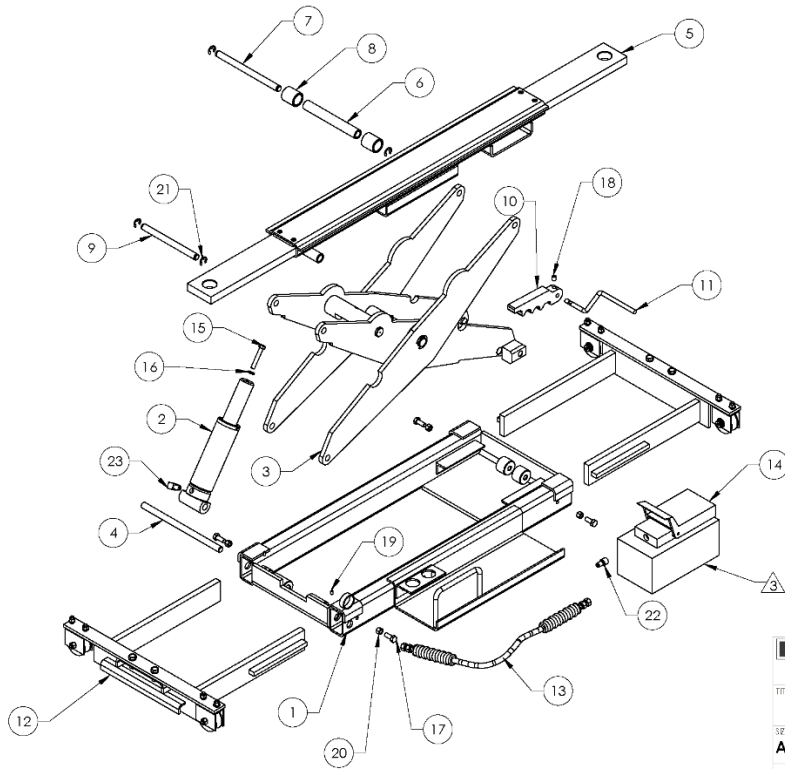
<b>BP BendPak</b>		Santa Paula, CA USA www.bendpak.com
MODEL NUMBER		
DESCRIPTION		
LIFT CAPACITY		
DATE OF MFG.	SERIAL NUMBER	
<p><b>⚠ DANGER!</b> Disconnect Power Before Servicing</p>		UPC
<p style="font-size: 24px; font-weight: bold;">CE EAC</p>		
WARRANTY VOID IF DATA PLATE IS REMOVED PN 5905150		

F

<b>⚠ WARNING</b>
<p>ALWAYS make sure rollers are properly positioned on runway utility rails and all ADJUSTMENT BOLTS are tightened before use or serious injury may result. READ PRODUCT MANUAL BEFORE USING THIS JACK.</p>
 <p style="font-size: 8px;">PN XXXXXX</p>



# Parts Sheets

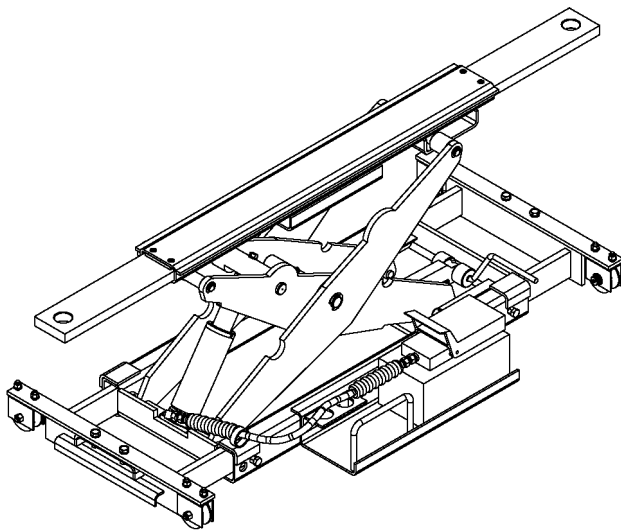


**BP BendPak.**  
1645 LEMONWOOD DR.  
SANTA PAULA, CA 93060

TITLE: RJ-45LP LIFT SUPERSTRUCTURE

SIZE DWG. NO. REV  
A 5205013 A

SCALE: 1:10 SHEET 2 OF 2



ITEM NO.	PART NUMBER	DESCRIPTION	QTY	REV
1	5600124	RJ-45LP MAIN BODY BASE WELDMENT	1	E
2	5502200	CYLINDER ASSEMBLY Ø2.0 x 4.375	1	F
3	5215111	RJ-45LP SCISSOR ASSEMBLY	1	F
4	5746031	RJ-45LP CYLINDER HINGE ROD	1	C
5	5215112	RJ-45LP EXTENSION ARM TUBE ASSEMBLY	1	G
6	5746035	RJ-45LP SCISSOR PIN ROLLER TUBE	1	C
7	5746034	RJ-45LP SCISSOR PIN	1	C
8	5746044	RJ45W SCISSOR CHANNEL SPACER	2	E
9	5746033	RJ-45LP SHORT SCISSOR PIN	1	C
10	5731122	RJ-45LP SAFETY	1	C
11	5701072	RJ-45LP SAFETY HANDLE	1	C
12	5215697	RJW BASE ARM SPRING ROLLER PLATE ASSEMBLY	2	E
13	5570806	RJW SERIES HOSE ASSY Ø4.4mm x 600mm DS	1	E
14	5585732	AIR HYDRAULIC PUMP YELLOW RJ45W PSI:4600	1	B
15	5530132	HHB 3/8"-16 x 2-1/4" GR8/CL 10.9	1	-
16	5545130	WASHER 3/8" SL	1	-
17	5530738	HHB M10 x 1.5 x 25	4	-
18	5530054	SSS M10x1.5x12	1	-
19	5530055	SSS M6x1x10	2	-
20	5535013	NUT M10 x 1.5 NL	4	-
21	5540109	E RING Ø16mm OD DIN 6799 0160	4	-
22	5550493	FTG RST -04 JIC x-06 NPT x .062 ID	1	-
23	5550086	FTG ELB -04 NPT x -04 JIC	1	-

DO NOT SCALE DRAWING

DRAWN NAME DATE  
CA 02/18/2020

CHECKED O 3/6/2020

DIMENSIONS ARE IN MM

THIRD ANGLE PROJECTION

**BP BendPak.**  
1645 LEMONWOOD DR.  
SANTA PAULA, CA 93060

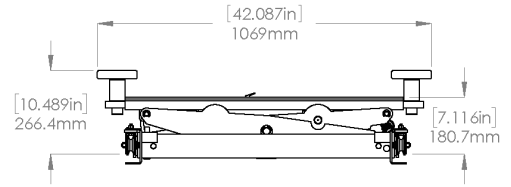
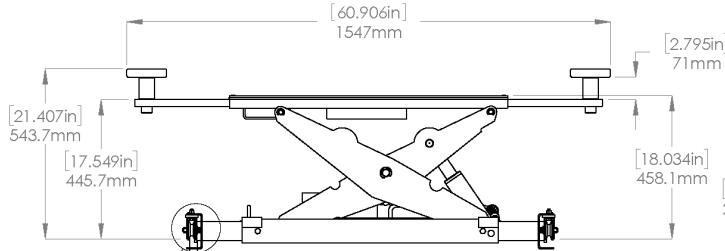
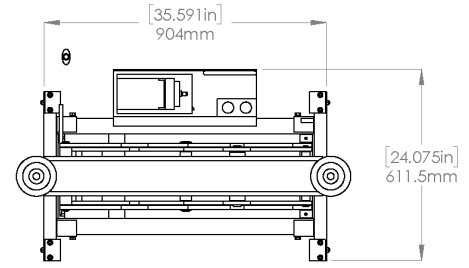
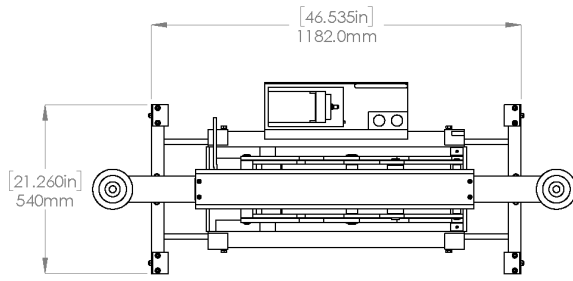
TITLE: RJ-45LP LIFT SUPERSTRUCTURE

SIZE DWG. NO. REV  
A 5205013 A

SCALE: 1:10 SHEET 1 OF 2

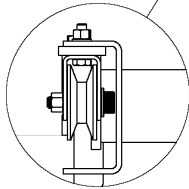
PROPRIETARY AND CONFIDENTIAL  
THE INFORMATION CONTAINED IN THIS DRAWING IS  
THE SOLE PROPERTY OF BENDPAK INC. ANY  
REPRODUCTION IN ANY MANNER WITHOUT  
THE WRITTEN PERMISSION OF BENDPAK INC. IS  
PROHIBITED.





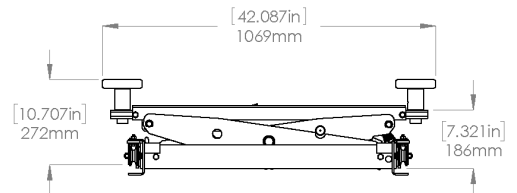
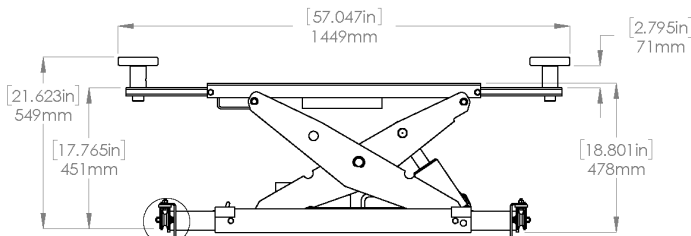
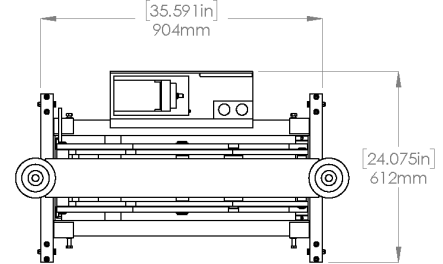
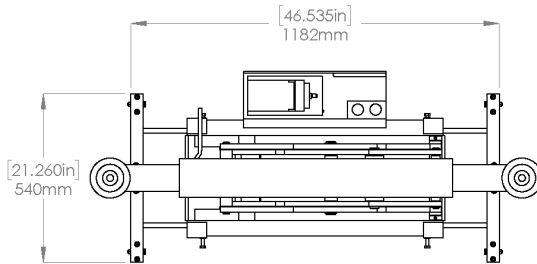
**RJ-45LP EXTENDED**

**RJ-45LP COLLAPSED**



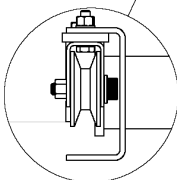
**DETAIL A  
SCALE 1 : 4**

<b>BP BendPak.</b>	
1645 LEMONWOOD DR. SANTA PAULA, CA 93060	
TITLE: RJ-45LP PRODUCTION LIFT VER E	
SIZE DWG. NO.	REV
<b>A</b> 5260610	<b>A</b>
SCALE: 1:15 SHEET 2 OF 3	



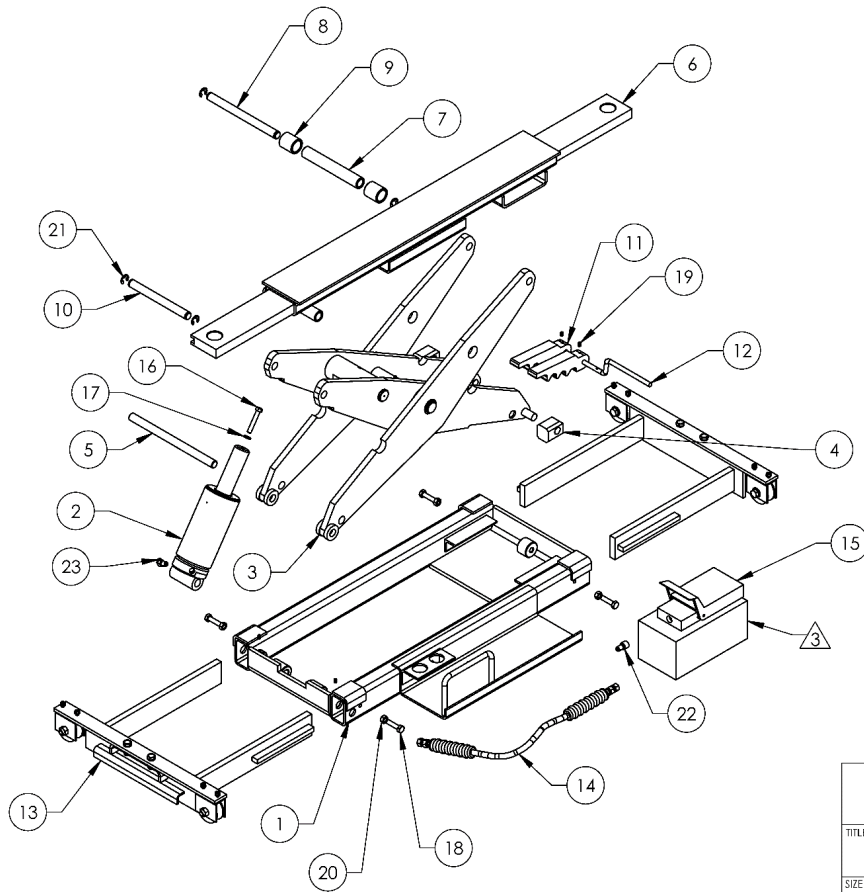
**RJ45W EXTENDED**

**RJ45W COLLAPSED**



**DETAIL A  
SCALE 1 : 4**

<b>BP BendPak.</b>	
1645 LEMONWOOD DR. SANTA PAULA, CA 93060	
TITLE: RJ45W PRODUCTION LIFT VER F	
SIZE DWG. NO.	REV
<b>A</b> 5260194	<b>E</b>
SCALE: 1:15 SHEET 2 OF 3	

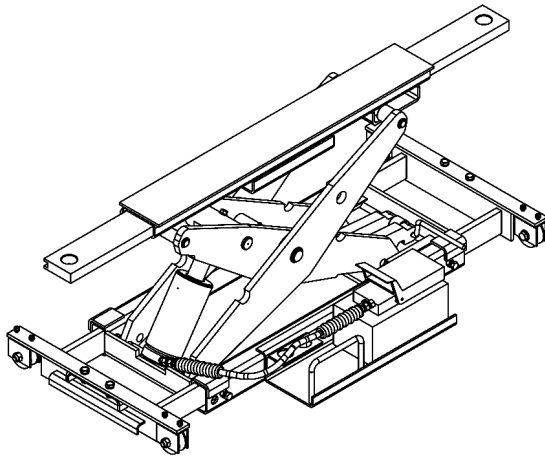


**BendPak.**  
1645 LEMONWOOD DR.  
SANTA PAULA, CA 93060

TITLE: **RJ45W LIFT SUPERSTRUCTURE**

SIZE	DWG. NO.	REV
<b>A</b>	5205008	<b>B</b>

SCALE: 1:12 SHEET 2 OF 2



ITEM NO.	PART NUMBER	DESCRIPTION	QTY	REV
1	5601287	RJ45W MAIN BODY BASE WELDMENT	1	B
2	5502012	CYLINDER ASSEMBLY Ø3.0 x 4.375	1	E
3	5215809	RJ45W SCISSOR ASSEMBLY	1	B
4	5716045	RJ45W SCISSOR SLIDE BLOCK	2	A
5	5746374	RJW CYLINDER HINGE ROD	1	D
6	5215428	RJ45W EXTENSION ARM TUBE ASSEMBLY	1	F
7	5746377	RJW SCISSOR PIN ROLLER TUBE	1	C
8	5746376	RJW SCISSOR PIN	1	B
9	5746044	RJ45W SCISSOR CHANNEL SPACER	2	E
10	5746375	RJW SHORT SCISSOR PIN	1	B
11	5731039	RJW SAFETY LATCH	2	H
12	5701137	RJ45W SAFETY HANDLE	1	F
13	5215697	RJW BASE ARM SPRING ROLLER PLATE ASSEMBLY	2	C
14	5570806	RJW SERIES HOSE ASSY Ø6.4mm x 600mm DS	1	E
15	5585732	AIR HYDRAULIC PUMP YELLOW RJ45W PSI:4600	1	B
16	5530132	HHB 3/8" 16 x 2-1/4" GR8/CL 10.9	1	—
17	5545130	WASHER 3/8" SL	1	—
18	5530302	HHB M10 x 1.5 x 40 FULLY THREAD	4	—
19	5530790	SSS M6 x 1 x 10 NL	4	—
20	5535998	NUT M10 x 1.5	4	—
21	5540109	E RING Ø16mm OD DIN 6799 0160	4	—
22	5550493	FTG RST -04 JIC x -06 NPT x .062 ID	1	—
23	5550038	FTG 45ELB -04 JIC x -04 NPT	1	—

DO NOT SCALE DRAWING

DRAWN	NAME	DATE
CHECKED		

**BendPak.**  
1645 LEMONWOOD DR.  
SANTA PAULA, CA 93060

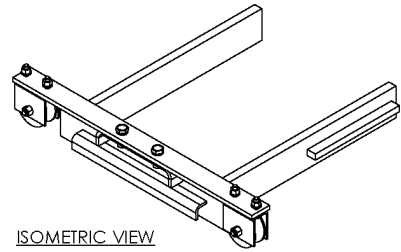
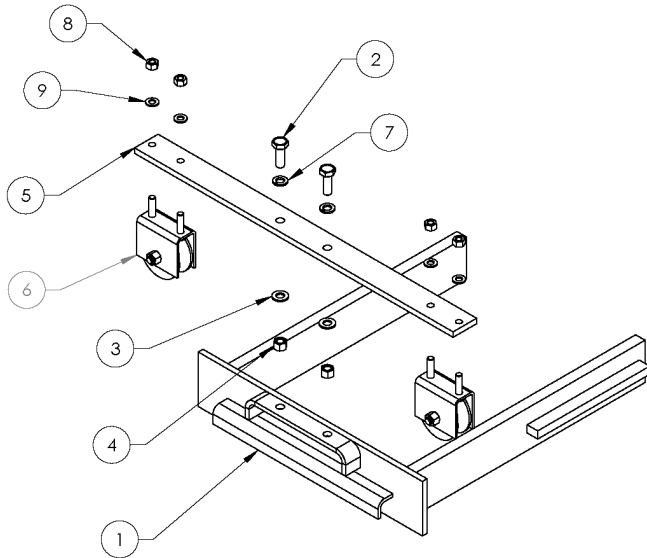
TITLE: **RJ45W LIFT SUPERSTRUCTURE**

SIZE	DWG. NO.	REV
<b>A</b>	5205008	<b>B</b>

SCALE: 1:12 SHEET 1 OF 2

THIRD ANGLE PROJECTION

PROPRIETARY AND CONFIDENTIAL  
THE INFORMATION CONTAINED IN THIS DRAWING IS THE SOLE PROPERTY OF BENDPAK INC. ANY REPRODUCTION IN PART OR AS A WHOLE WITHOUT THE WRITTEN PERMISSION OF BENDPAK INC. IS PROHIBITED.



ISOMETRIC VIEW  
FOR REFERENCE ONLY  
DO NOT SCALE

ITEM NO.	PART NUMBER	DESCRIPTION	QTY.	REV
1	5620292	RJW BASE EXTENSION ARM SPRING ROLLER PLATE WELDMENT	1	C
2	5530021	HHB, M10 x 1.5 x 30	2	--
3	5545341	WASHER M10 x Ø20 FLAT	2	--
4	5535013	NUT M10 x 1.5 NL	2	--
5	5737039	RJW SPRING PLATE	1	D
6	5210165	RJW ROLLER BRACKET ASSEMBLY	2	E
7	5545200	WASHER M10 x Ø18 SL	2	--
8	5535001	NUT M8 x 1.25 NL	4	--
9	5545012	WASHER, M8x16x1.6mm FLAT	4	--

DO NOT SCALE DRAWING

DRAWN	TS	12/06/2017
CHECKED	O	3/6/2020

NAME DATE

THIRD ANGLE PROJECTION

PROPRIETARY AND CONFIDENTIAL  
THE INFORMATION CONTAINED IN THIS DRAWING IS THE SOLE PROPERTY OF BENDPAK INC. ANY REPRODUCTION IN PART OR AS A WHOLE WITHOUT THE WRITTEN PERMISSION OF BENDPAK INC. IS PROHIBITED.

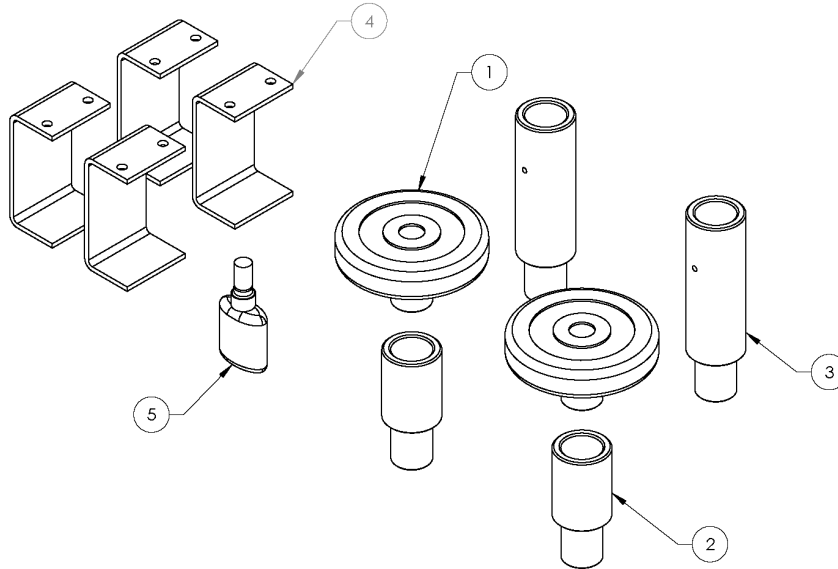
**BendPak**  
1645 LEMONWOOD DR.  
SANTA PAULA, CA 93060

TITLE:  
RJW BASE ARM SPRING ROLLER PLATE ASSEMBLY

SIZE DWG. NO. REV

**A** 5215697 **E**

SCALE: 1:6 SHEET 1 OF 1



ITEM NO.	PART NUMBER	DESCRIPTION	QTY.	REV
1	5215507	ROUND LIFT PAD ADAPTER ASSEMBLY	2	G
2	5746390	MEDIUM LIFT PAD EXTENSION Ø35 x 113mm	2	E
3	5746395	LONG LIFT PAD EXTENSION Ø35 x 182mm	2	D
4	5701543	RJW SPRING PLATE SAFETY BRACKET	4	D
5	5580012	LIQUID PTFE THREAD SEALANT 4 .oz	1	A

DO NOT SCALE DRAWING

DRAWN	TS	12/04/2018
CHECKED	O	3/6/2020

NAME DATE

THIRD ANGLE PROJECTION

PROPRIETARY AND CONFIDENTIAL  
THE INFORMATION CONTAINED IN THIS DRAWING IS THE SOLE PROPERTY OF BENDPAK INC. ANY REPRODUCTION IN PART OR AS A WHOLE WITHOUT THE WRITTEN PERMISSION OF BENDPAK INC. IS PROHIBITED.

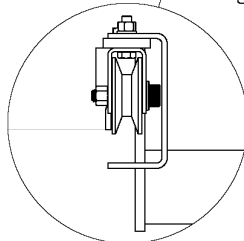
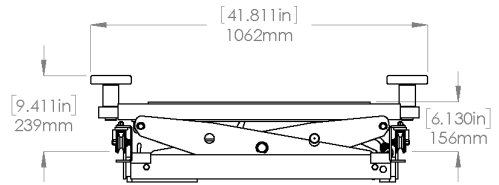
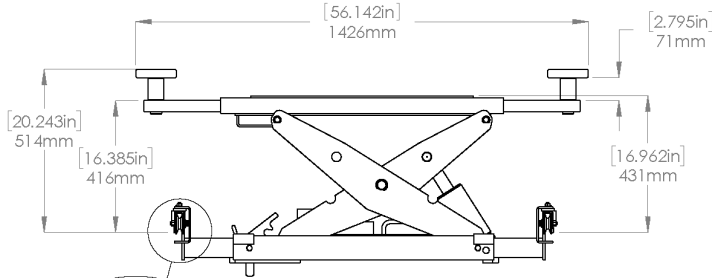
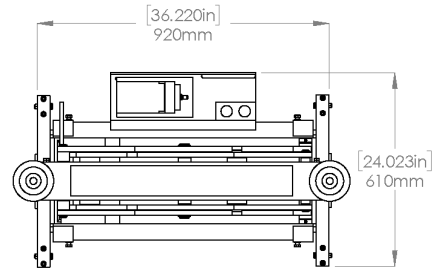
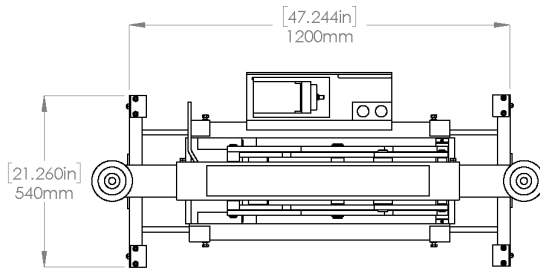
**BendPak**  
1645 LEMONWOOD DR.  
SANTA PAULA, CA 93060

TITLE:  
RJW PARTS BOX

SIZE DWG. NO. REV

**A** 5250271 **D**

SCALE: 1:4 SHEET 1 OF 1



**DETAIL A**  
SCALE 1 : 4

**RJ6W EXTENDED**

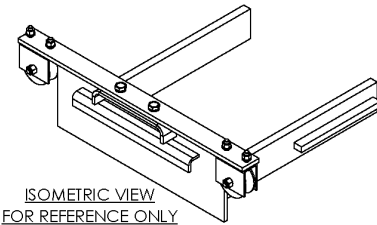
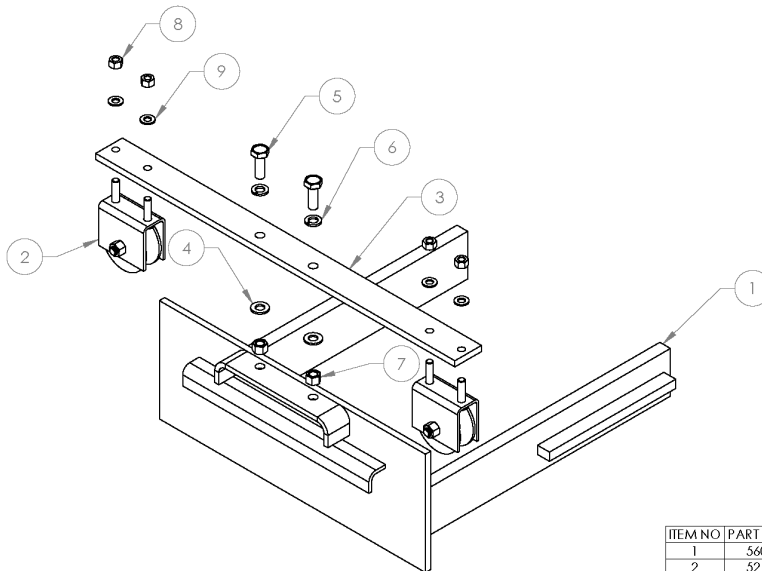
**RJ6W COLLAPSED**

**BP BendPak**  
1645 LEMONWOOD DR.  
SANTA PAULA, CA 93060

TITLE: **RJ6W PRODUCTION LIFT VER E**

SIZE	DWG. NO.	REV
<b>A</b>	<b>5260283</b>	<b>D</b>

SCALE: 1:15 SHEET 2 OF 3



**ISOMETRIC VIEW**  
**FOR REFERENCE ONLY**  
**DO NOT SCALE**

ITEM NO	PART NUMBER	DESCRIPTION	QTY	REV
1	5601290	RJ6W BASE EXTENSION ARM WELDMENT	1	B
2	5210165	RJW ROLLER BRACKET ASSEMBLY	2	E
3	5737039	RJW SPRING PLATE	1	D
4	5545341	WASHER M10 x Ø20 FLAT	2	--
5	5530021	HHB, M10 x 1.5 x 30	2	--
6	5545200	WASHER M10 x Ø18 SL	2	--
7	5535013	NUT M10 x 1.5 NL	2	--
8	5535001	NUT M8 x 1.25 NL	4	--
9	5545012	WASHER, M8x1.6x1.6mm FLAT	4	--

DO NOT SCALE DRAWING

DRAWN	TS	DATE	12/03/2018
CHECKED	OR	DATE	03/04/2020

THIRD ANGLE PROJECTION

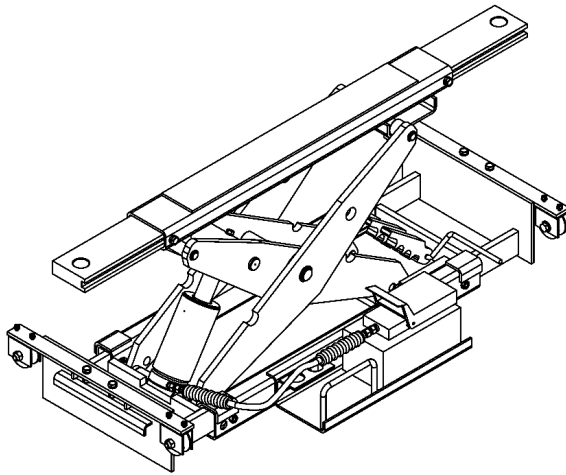
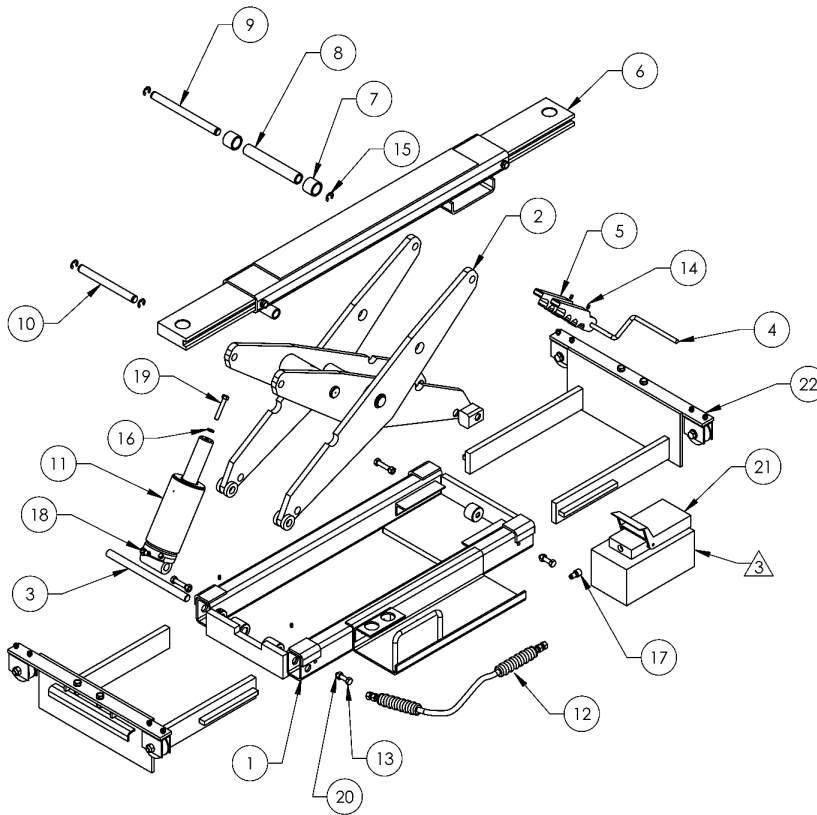
**BP BendPak**  
1645 LEMONWOOD DR.  
SANTA PAULA, CA 93060

TITLE: **RJ6W LOWER ARM ASSEMBLY**

SIZE	DWG. NO.	REV
<b>A</b>	<b>5215816</b>	<b>C</b>

SCALE: 1:5 SHEET 1 OF 1

PROPRIETARY AND CONFIDENTIAL  
THE INFORMATION CONTAINED IN THIS DRAWING IS THE SOLE PROPERTY OF BENDPAK, INC. ANY REPRODUCTION HEREOF OR USE IN ANY MANNER WITHOUT THE WRITTEN PERMISSION OF BENDPAK, INC. IS PROHIBITED.



**BendPak.**  
1645 LEMONWOOD DR.  
SANTA PAULA, CA 93060

TITLE: **RJ6W LIFT SUPERSTRUCTURE**

SIZE	DWG. NO.	REV
<b>A</b>	<b>5205010</b>	<b>A</b>

SCALE: 1:12 SHEET 2 OF 2

ITEM NO	PART NUMBER	DESCRIPTION	QTY	REV
1	5601031	RJW MAIN BODY BASE WELDMENT	1	F
2	5215439	RJW SCISSOR ASSEMBLY	1	J
3	5746374	RJW CYLINDER HINGE ROD	1	D
4	5701136	RJ6W/7W/9W SAFETY HANDLE	1	F
5	5731039	RJW SAFETY LATCH	2	H
6	5210138	RJW EXTENSION ARM TUBE ASSEMBLY	1	C
7	5746378	RJW SCISSOR CHANNEL SPACER	2	B
8	5746377	RJW SCISSOR PIN ROLLER TUBE	1	C
9	5746376	RJW SCISSOR PIN	1	B
10	5746375	RJW SHORT SCISSOR PIN	1	B
11	5502012	CYLINDER ASSEMBLY Ø3.0 x 4.375	1	E
12	5570806	RJW SERIES HOSE ASSY Ø6.4mm x 600mm DS	1	D
13	5530302	HHB M10 x 1.5 x 40 FULLY THREAD	4	--
14	5530790	SSS M6 x 1 x 10 NL	4	--
15	5540109	E RING Ø16mm OD DIN 6799 0160	4	--
16	5545130	WASHER 3/8" SL	1	--
17	5550493	FTG RST -04 JIC x -06 NPT x .062 ID	1	--
18	5550038	FTG 45ELB -04 JIC x -04 NPT	1	--
19	5530132	HHB 3/8"-16 x 2-1/4" GR8/CL 10.9	1	--
20	5535998	NUT M10 x 1.5	4	--
21	5585731	AIR HYDRAULIC PUMP YELLOW RJ6W PSI:6100	1	--
22	5215816	RJ6W LOWER ARM ASSEMBLY	2	A

DO NOT SCALE DRAWING

DRAWN	NAME	DATE
CHECKED		

DIMENSIONS ARE IN MM

THIRD ANGLE PROJECTION

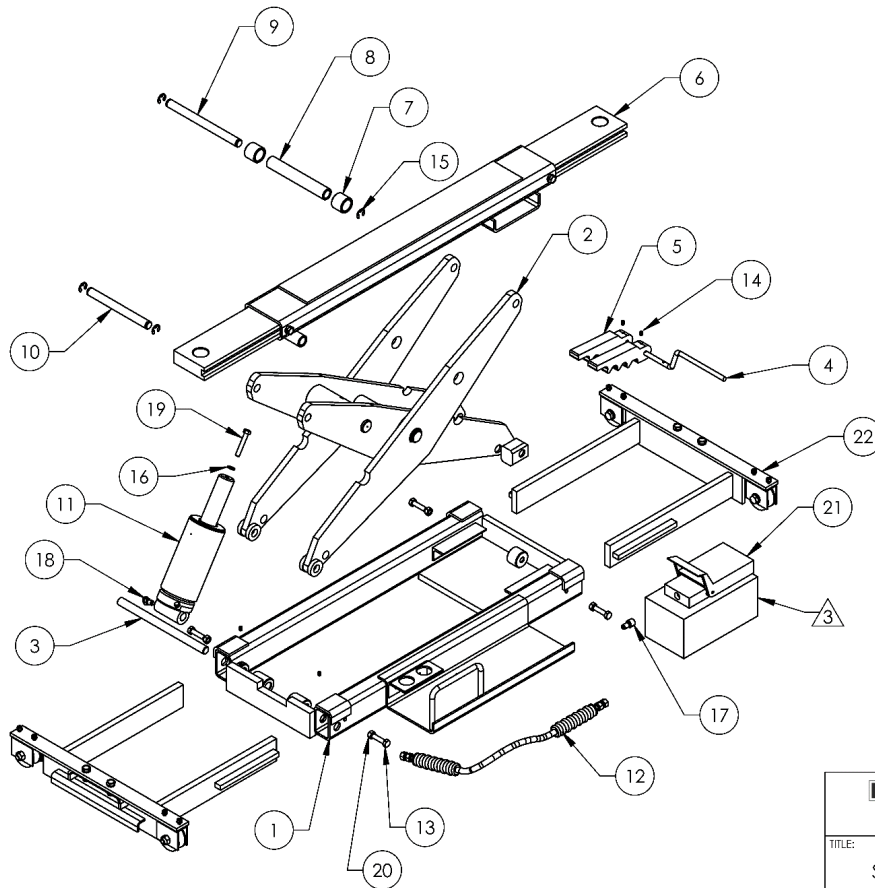
**BendPak.**  
1645 LEMONWOOD DR.  
SANTA PAULA, CA 93060

TITLE: **RJ6W LIFT SUPERSTRUCTURE**

SIZE	DWG. NO.	REV
<b>A</b>	<b>5205010</b>	<b>A</b>

SCALE: 1:12 SHEET 1 OF 2

PROPRIETARY AND CONFIDENTIAL  
THIS INFORMATION CONTAINS TRADE SECRETS AND IS THE PROPERTY OF BENDPAK INC. ANY  
REPRODUCTION IN PART OR AS A WHOLE WITHOUT THE WRITTEN PERMISSION OF BENDPAK INC. IS  
PROHIBITED.

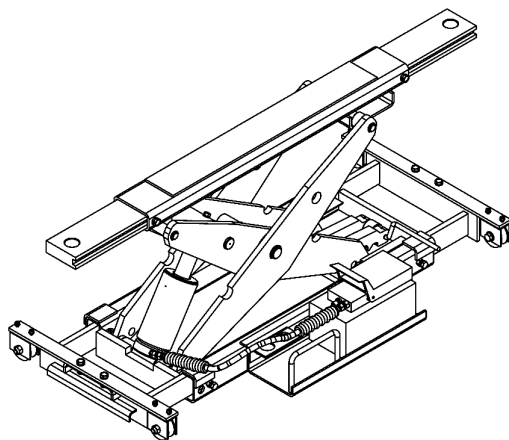


**BendPak.**  
 1645 LEMONWOOD DR.  
 SANTA PAULA, CA 93060

TITLE: **RJ7W LIFT SUPERSTRUCTURE**

SIZE	DWG. NO.	REV
<b>A</b>	<b>5205011</b>	<b>A</b>

SCALE: 1:12 SHEET 2 OF 2



ITEM NO	PART NUMBER	DESCRIPTION	QTY	REV
1	5601031	RJW MAIN BODY BASE WELDMENT	1	F
2	5215439	RJW SCISSOR ASSEMBLY	1	J
3	5746374	RJW CYLINDER HINGE ROD	1	D
4	5701136	RJ6W/7W/9W SAFETY HANDLE	1	F
5	5731039	RJW SAFETY LATCH	2	H
6	5210138	RJW EXTENSION ARM TUBE ASSEMBLY	1	C
7	5746378	RJW SCISSOR CHANNEL SPACER	2	B
8	5746377	RJW SCISSOR PIN ROLLER TUBE	1	C
9	5746376	RJW SCISSOR PIN	1	B
10	5746375	RJW SHORT SCISSOR PIN	1	B
11	5502012	CYLINDER ASSEMBLY Ø3.0 x 4.375	1	E
12	5570806	RJW SERIES HOSE ASSY Ø6.4mm x 600mm DS	1	E
13	5530302	HHB M10 x 1.5 x 40 FULLY THREAD	4	--
14	5530790	SSS M6 x 1 x 10 NL	4	A
15	5540109	E RING Ø16mm OD DIN 6799 0160	4	--
16	5545130	WASHER 3/8" SL	1	--
17	5550493	FTG RST -04 JIC x -06 NPT x .062 ID	1	--
18	5550038	FTG 45ELB -04 JIC x -04 NPT	1	--
19	5530132	HHB 3/8" x 1.5 x 2-1/4" GR8/CL 10.9	1	--
20	5535998	NUT M10 x 1.5	4	--
21	5585733	AIR HYDRAULIC PUMP YELLOW RJW7 PSI:7500	1	--
22	5215697	RJW BASE ARM SPRING ROLLER PLATE ASSEMBLY	2	C

DO NOT SCALE DRAWING

DRAWN	NAME	DATE
CHECKED		

THIRD ANGLE PROJECTION

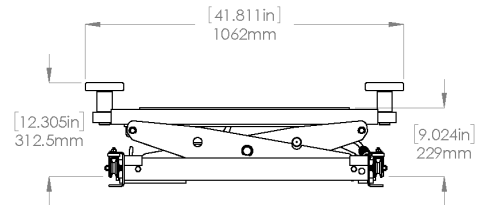
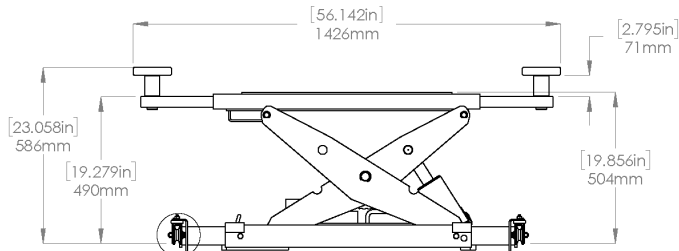
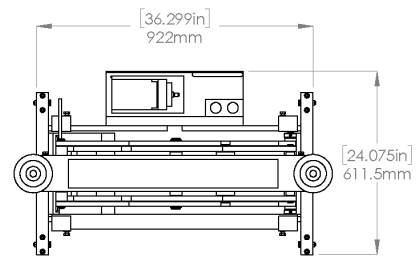
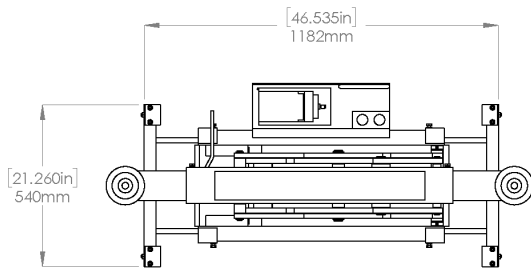
PROPRIETARY AND CONFIDENTIAL  
 THE INFORMATION CONTAINED HEREIN IS THE SOLE PROPERTY OF BENDPAK INC. AND REPRODUCTION IN ANY FORM OR BY ANY MEANS WITHOUT THE WRITTEN PERMISSON OF BENDPAK INC. IS PROHIBITED.

**BendPak.**  
 1645 LEMONWOOD DR.  
 SANTA PAULA, CA 93060

TITLE: **RJ7W LIFT SUPERSTRUCTURE**

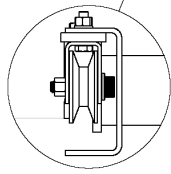
SIZE	DWG. NO.	REV
<b>A</b>	<b>5205011</b>	<b>A</b>

SCALE: 1:12 SHEET 1 OF 2



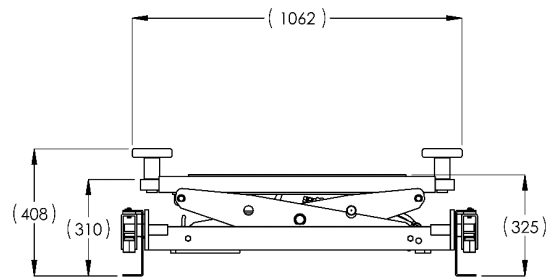
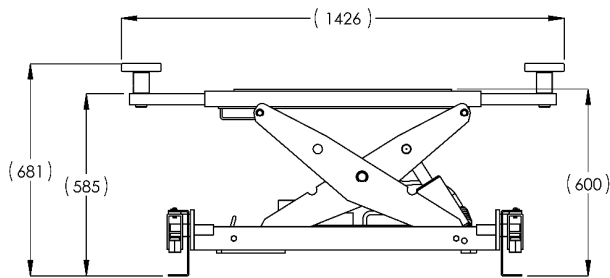
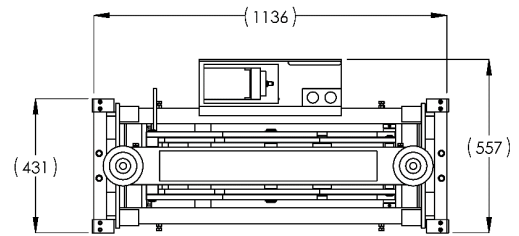
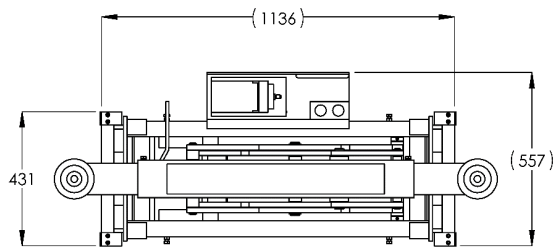
RJ7W EXTENDED

RJ7W COLLAPSED



DETAIL A  
SCALE 1 : 4

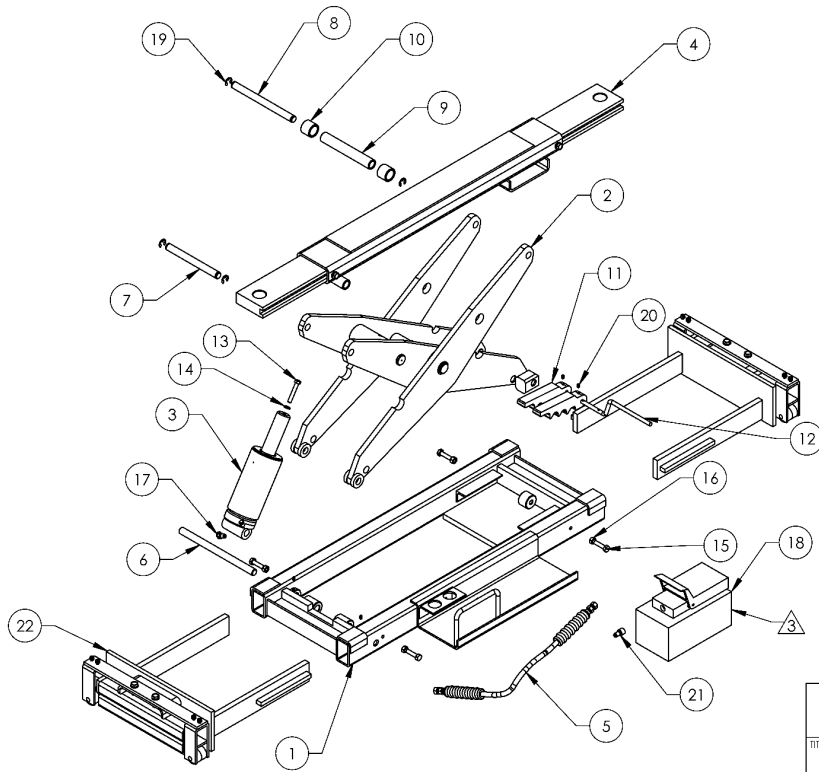
<b>BP BendPak.</b>		
1645 LEMONWOOD DR. SANTA PAULA, CA 93060		
TITLE: RJ7W PRODUCTION LIFT VER F		
SIZE	DWG. NO.	REV
A	5260284	D
SCALE: 1:15		SHEET 2 OF 3



RJ9W EXTENDED

RJ9W COLLAPSED

<b>BP BendPak.</b>		
1645 LEMONWOOD DR. SANTA PAULA, CA 93060		
TITLE: RJ9W PRODUCTION LIFT VER D		
SIZE	DWG. NO.	REV
A	5260286	A
SCALE: 1:15		SHEET 2 OF 2

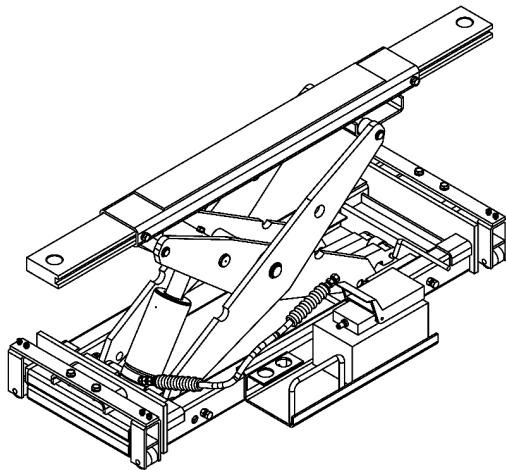


**BendPak**  
 1645 LEMONWOOD DR.  
 SANTA PAULA, CA 93060

TITLE:  
**RJ9W LIFT  
 SUPERSTRUCTURE**

SIZE	DWG. NO.	REV
<b>A</b>	<b>5205012</b>	<b>A</b>

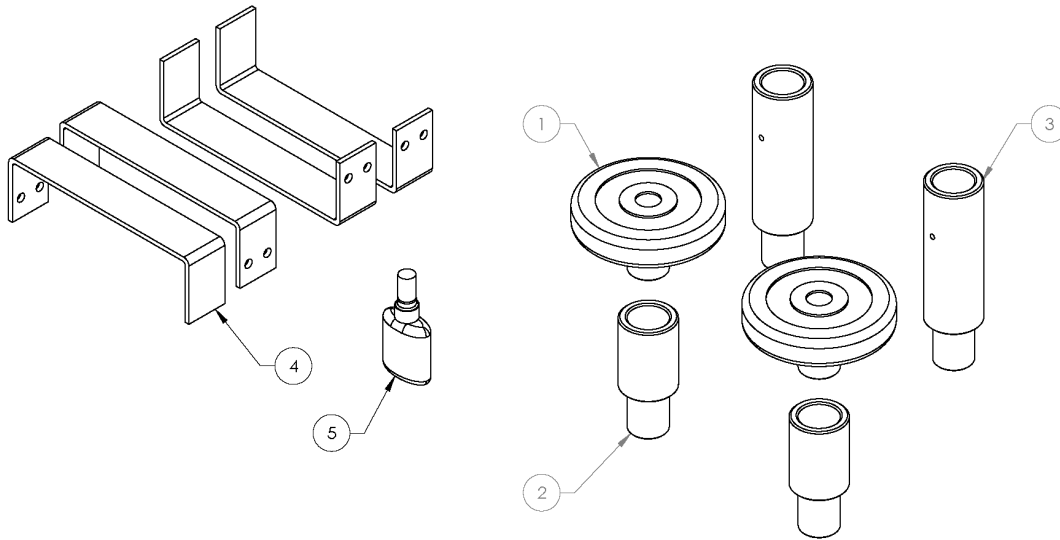
SCALE: 1:12 SHEET 2 OF 2



ITEM NO	PART NUMBER	DESCRIPTION	QTY	REV
1	5601039	RJ9W BASE WELDMENT	1	F
2	5215439	RJW SCISSOR ASSEMBLY	1	J
3	5502012	CYLINDER ASSEMBLY Ø3.0 x 4.375	1	E
4	5210138	RJW EXTENSION ARM TUBE ASSEMBLY	1	C
5	5570806	RJW SERIES HOSE ASSY Ø6.4mm x 600mm DS	1	E
6	5746374	RJW CYLINDER HINGE ROD	1	D
7	5746375	RJW SHORT SCISSOR PIN	1	B
8	5746376	RJW SCISSOR PIN	1	B
9	5746377	RJW SCISSOR PIN ROLLER TUBE	1	C
10	5746378	RJW SCISSOR CHANNEL SPACER	2	B
11	5731039	RJW SAFETY LATCH	2	H
12	5701136	RJ6W/7W/9W SAFETY HANDLE	1	F
13	5530132	HHB 3/8"-1.6 x 2-1/4" GR8/CL 10.9	1	--
14	5545130	WASHER 3/8" SL	1	--
15	5530302	HHB M10 x 1.5 x 40 FULLY THREAD	4	--
16	5535998	NUT M10 x 1.5	4	--
17	5550038	FTG 45ELB -04 JIC x -04 NPT	1	--
18	5585734	AIR HYDRAULIC PUMP YELLOW RJ9W PSI:7000	1	--
19	5540109	E RING Ø16mm OD DIN 6799 0160	4	--
20	5530790	SSS M6 x 1 x 10 NL	4	--
21	5550493	FTG RST -04 JIC x -06 NPT x .062 ID	1	--
22	5210197	RJ9W ARM EXTENSION ASSEMBLY	2	A

DO NOT SCALE DRAWING	NAME	DATE	<b>BendPak</b> 1645 LEMONWOOD DR. SANTA PAULA, CA 93060
	DRAWN		
DIMENSIONS ARE IN MM	CHECKED		TITLE: <b>RJ9W LIFT SUPERSTRUCTURE</b>
	THIRD ANGLE PROJECTION		SIZE DWG. NO. REV
			<b>A</b> <b>5205012</b> <b>A</b>
<small>PROPRIETARY AND CONFIDENTIAL        THE INFORMATION CONTAINED HEREIN IS THE PROPERTY OF BENDPAK INC. ANY        REPRODUCTION OR TRANSMISSION OF THIS INFORMATION WITHOUT THE        WRITTEN PERMISSION OF BENDPAK INC. IS        PROHIBITED.</small>			SCALE: 1:12 SHEET 1 OF 2

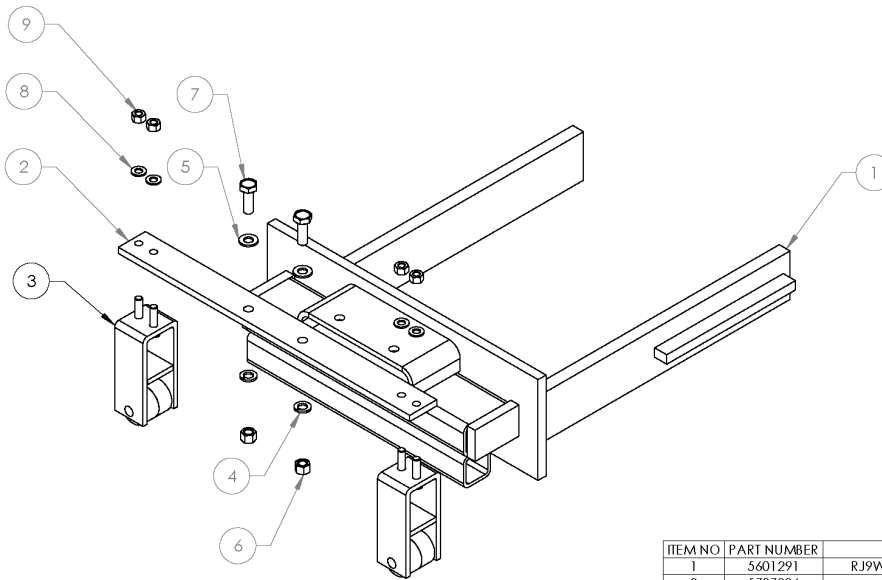




ITEM NO.	PART NUMBER	DESCRIPTION	QTY.	REV
1	5215507	ROUND LIFT PAD ADAPTER ASSEMBLY	2	G
2	5746390	MEDIUM LIFT PAD EXTENSION Ø35 x 113mm	2	E
3	5746395	LONG LIFT PAD EXTENSION Ø35 x 182mm	2	D
4	5701555	RJ9W SPRING PLATE SAFETY BRACKET	4	B
5	5580012	LIQUID PTFE THREAD SEALANT 4 .oz	1	-

DO NOT SCALE DRAWING	DRAWN	NAME	DATE	 1645 LEMONWOOD DR. SANTA PAULA, CA 93060
	TS	TS	11/16/2017	
	CHECKED	OR	03/04/2020	
DIMENSIONS ARE IN MM	THIRD ANGLE PROJECTION			TITLE: RJ9W PARTS BOX
 <small>PROPRIETARY AND CONFIDENTIAL          THE INFORMATION CONTAINED IN THIS DRAWING IS          THE SOLE PROPERTY OF BENDPAK INC. ANY          REPRODUCTION IN PART OR AS A WHOLE WITHOUT          THE WRITTEN PERMISSION OF BENDPAK INC. IS          PROHIBITED.</small>	SIZE	DWG. NO.	REV	
	A	5250273	C	
SCALE: 1:4				SHEET 1 OF 1



ITEM NO.	PART NUMBER	DESCRIPTION	QTY.	REV
1	5601291	RJ9W BASE EXTENSION ARM WELDMENT	1	A
2	5737086	RJ9W SPRING PLATE	1	B
3	5601292	RJ9W ROLLER BRACKET ASSEMBLY WELDMENT	2	B
4	5545023	WASHER M10 SL	2	--
5	5545341	WASHER M10 x Ø20 FLAT	2	--
6	5535013	NUT M10 x 1.5 NL	2	--
7	5530021	HHB, M10 x 1.5 x 30	2	--
8	5545012	WASHER, M8x1.6x1.6mm FLAT	4	--
9	5535001	NUT M8 x 1.25 NL	4	--

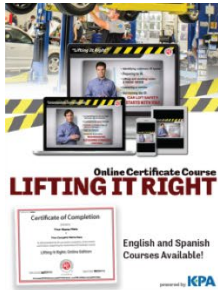
DO NOT SCALE DRAWING	DRAWN	NAME	DATE	 1645 LEMONWOOD DR. SANTA PAULA, CA 93060
	TS	TS	12/10/2018	
	CHECKED	CA	06/10/2019	
DIMENSIONS ARE IN MM	THIRD ANGLE PROJECTION			TITLE: RJ9W ARM EXTENSION ASSEMBLY
 <small>PROPRIETARY AND CONFIDENTIAL          THE INFORMATION CONTAINED IN THIS DRAWING IS          THE SOLE PROPERTY OF BENDPAK INC. ANY          REPRODUCTION IN PART OR AS A WHOLE WITHOUT          THE WRITTEN PERMISSION OF BENDPAK INC. IS          PROHIBITED.</small>	SIZE	DWG. NO.	REV	
	A	5210197	B	
SCALE: 1:5				SHEET 1 OF 1



# Automotive Lift Institute (ALI) Store

You probably checked the [ALI's Directory of Certified Lifts](http://www.autolift.org/ali-directory-of-certified-lifts/) (www.autolift.org/ali-directory-of-certified-lifts/) before making your most recent Lift purchase, but did you know the **ALI Store** ([www.autolift.org/ali-store/](http://www.autolift.org/ali-store/)) offers a wide variety of professional, easy-to-use, and reasonably priced training and safety materials that will make your garage a safer place to work?

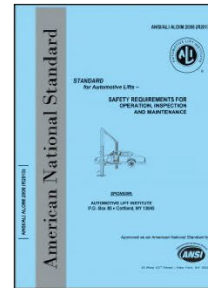
**The ALI Store is your trusted source for workplace safety!**



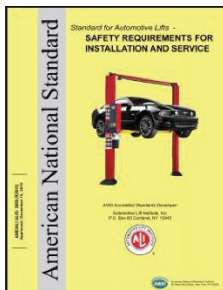
**Lifting It Right Online Certificate Course.** Make sure you and your people are lifting vehicles the right way.



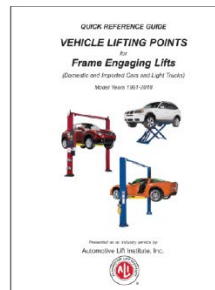
**KPA Online Training Subscription.** Get all of your people up to speed on automotive industry topics.



**ANSI/ALI ALOIM Standard for Automotive Lifts.** Safety Requirements for Operation, Inspection, and Maintenance.



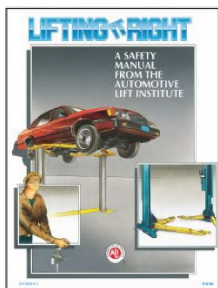
**ANSI/ALI ALIS Standard.** Safety Requirements for Installation and Service.



**Guide to Hitting Vehicle Lifting Points for Frame-Engaging Lifts.** Don't eyeball your lifting points, **know** where they are.



**Lift Operator Safety Materials.** Five safety documents in a single package.



**Lifting It Right.** A hardcopy version of the *Lifting It Right* safety manual from the Automotive Lift Institute.



**Uniform Warning Labels and Placards for 2-Posts.** Labels in Mandarin, French Canadian, and Spanish are also available.



**Safety Tips Card.** Reminds your people of 13 key safety tips to follow daily.

**Visit today and get the training and materials you need to work safely:**  
[www.autolift.org/ali-store/](http://www.autolift.org/ali-store/).



1645 Lemonwood Drive  
Santa Paula, CA, 93060 USA