

# NOMADIC COOLING CO.



Available with a 48V, 24V or 12V compressor, the Nomadic Cooling **X<sup>3</sup>** is the go-to cooling system for explorers and adventurers... perfect for Overlanders, RV'ers, Van Campers, or anyone looking to Go Further In Comfort!

**MOST POWERFUL AC UNIT**

**48V | 24V | 12V**



**GO FURTHER  
IN COMFORT**

Like its predecessors, the **X<sup>3</sup>** is a stand-alone air conditioner that does not need to be connected to the engine or shore power to operate, providing the freedom of true off-grid living.

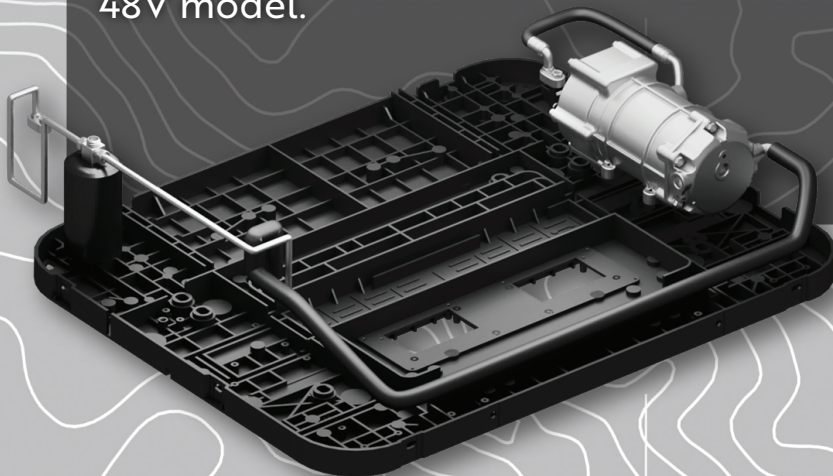


## FLUSH MOUNT INTERNAL FASCIA

Sleek internal faceplate paired with a modern, crisp LCD panel. Powder-coated and constructed with strong, lightweight aluminum. Available in Obsidian Black.

## BEYOND COOL

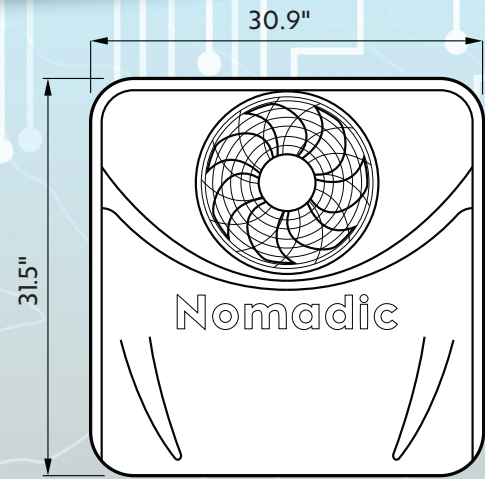
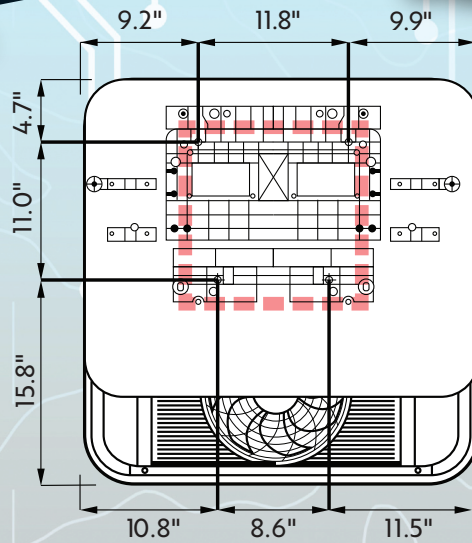
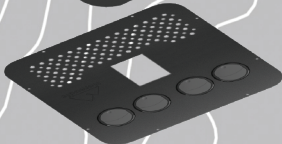
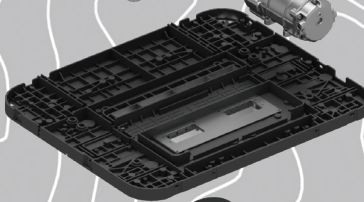
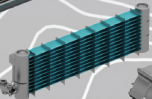
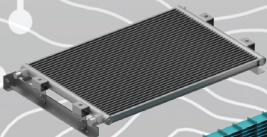
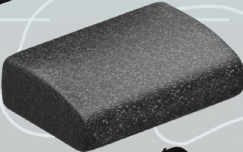
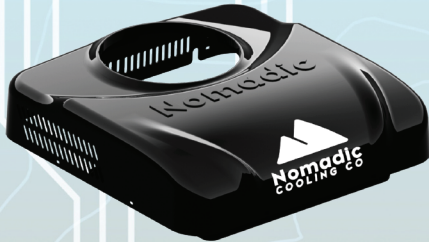
The all new **X<sup>3</sup>** provides up to 15,120 BTU of cooling power in the powerful 48V model.





**ECO FRIENDLY POWER**  
48V | 24V | 12V

Shrouds available in Arctic White or Obsidian Black.



MODEL	48V	24V	12V
Current ECO Mode	16A	31A	53A
Current MAX Mode	17A	40A	91A
Power ECO Mode +Hi Fan	480W	576W	708W
Power MAX Mode +Hi Fan	816W	960W	1,092W
Min Cooling Temp ECO Mode	69.4°F	58.9°F	50.4°F
Min Cooling Temp MAX Mode	65.9°F	49.4°F	49.2°F
Cold Air Flow ECO Mode (cfm)	3,895	2,562	2,122
Cold Air Flow MAX Mode (cfm)	4,042	2,423	2,167
Rated Cooling Capacity (BTU)	15,120	12,480	11,830
Power Cord Specification	8AWG	2AWG	2AWG
Fuse Size	30A	60A	125-150A
Refrigerant	R134a @ 600g ± 30g		
Refrigerant Oil	POE68		
Speed Range	1,000 to 3,000 RPM		
Weight	57.3 lbs		
Interior Faceplate Dimension	16¼" x 16¼" (Flush mount)		
Noise (Decibals)	≤60 dBa		
Operation Modes	Auto/ECO/MAX/Fan		
Min-Max Temp Settings	60°F to 86°F		
Warranty	One (1) Year w/ Extension Opt.		

**Cool X3 Features:**

- Flush Internal Faceplate
- Sleek Control Panel
- Brushless Motor
- 14" x 14" Opening
- Remote Control
- One (1) Year Warranty
- Extended Warranty Available

