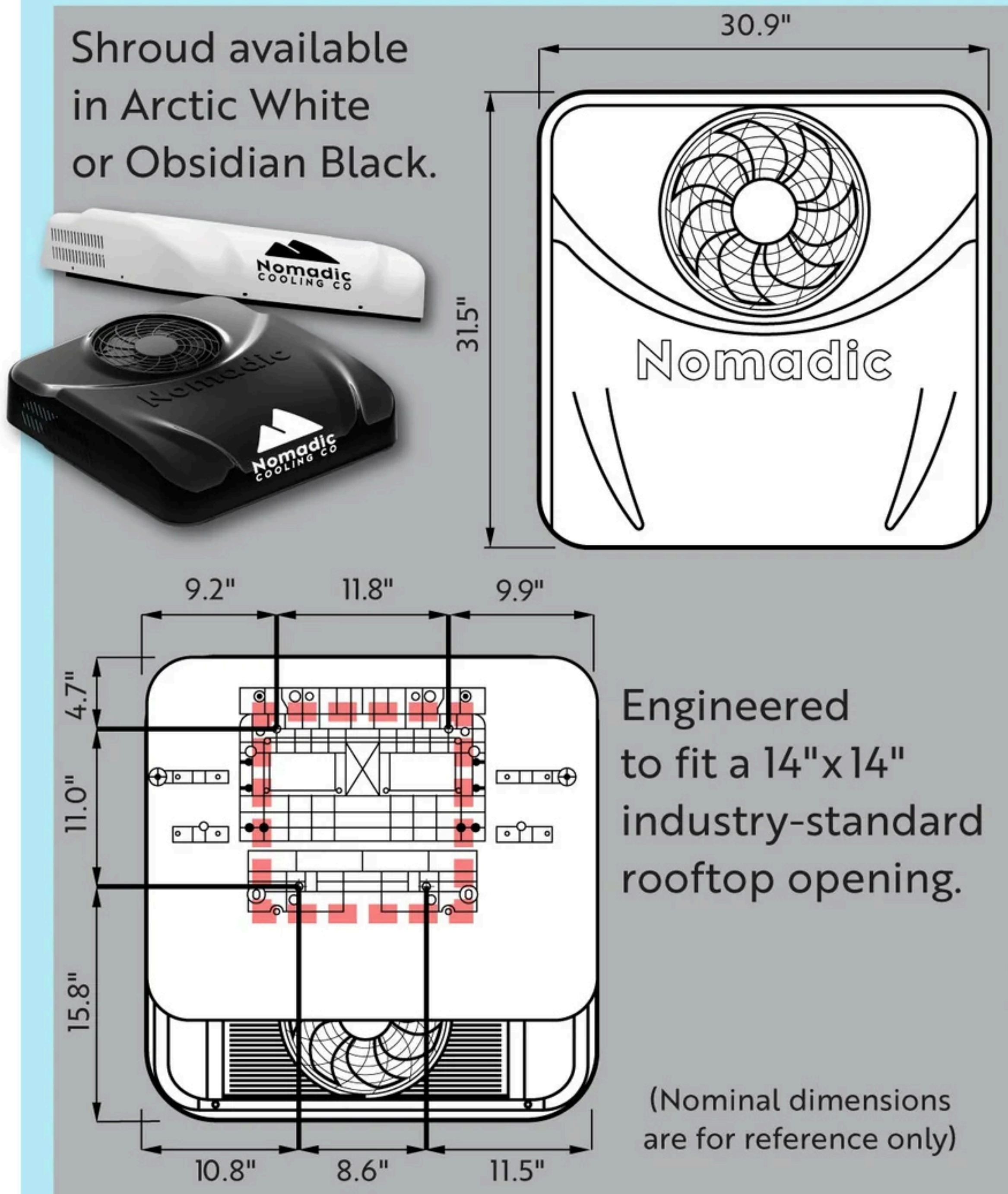


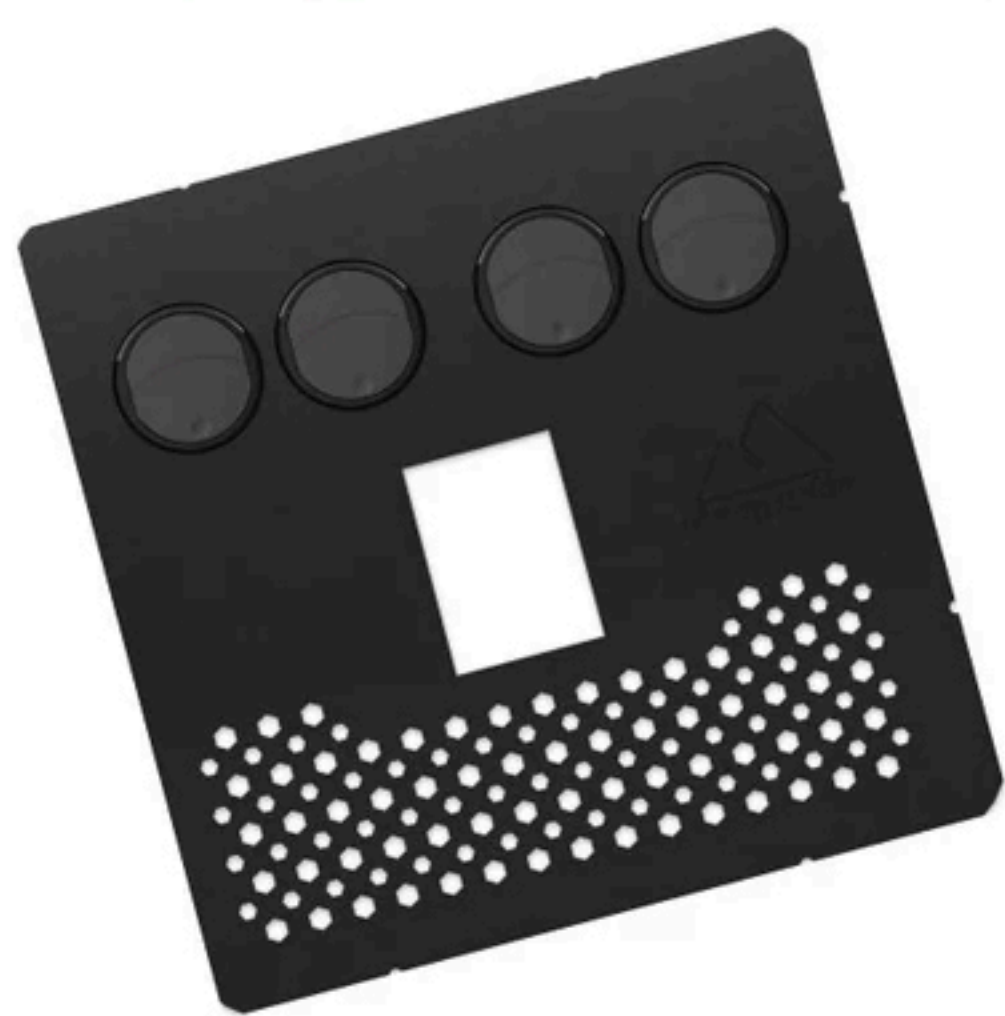
PRODUCT:  
MODEL:

NC-X<sup>3</sup> Rooftop AC Unit  
48V/24V/12V AW/OBS

Shroud available in Arctic White or Obsidian Black.



MODEL	48V	24V	12V
Current ECO Mode	14A	30A	50A
Current MAX Mode	27A	55A	110A
Rated Power	1,680W	1,390W	1,320W
Fuse Size	30A	60A	125A
Power Cord Specification	8AWG	2AWG	2AWG
Rated Cooling Capacity (BTU)	15,120	12,480	11,830
Refrigerant	R134a @ 600g ± 30g		
Refrigerant Oil	POE68		
Speed Range	1,000 to 3,000 RPM		
Weight	57.3 lbs		
Interior Faceplate Dimensions	16¼" x 16¼" (Flush Mount)		
Compressor Motor	18cc PWM, Spring Bushings		
Evaporator Motor	Brushless with 10" Fan		
Condensor Fan	14"		
Noise (Decibals)	≤60 dBa		
Operation Modes	Auto/ECO/MAX/Fan		
Min-Max Temperature Setting	60°F to 86°F		
Warranty	One (1) Year w/ Extension Opt.		



Flush-mounted, powder-coated, obsidian black interior faceplate



Remote control included



Modern, crisp LCD control panel

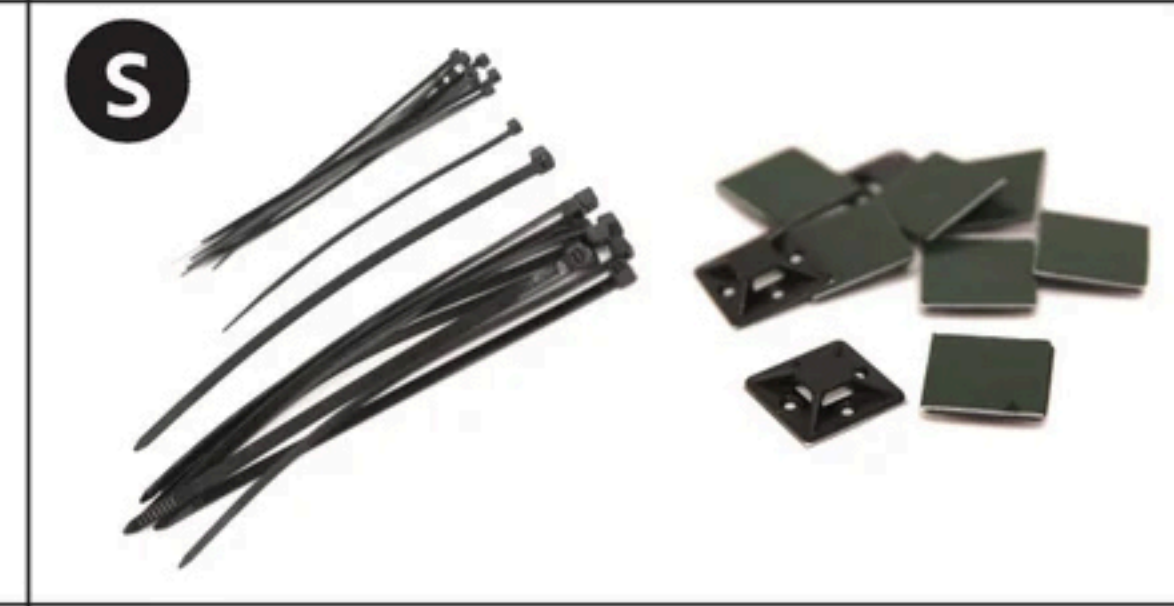
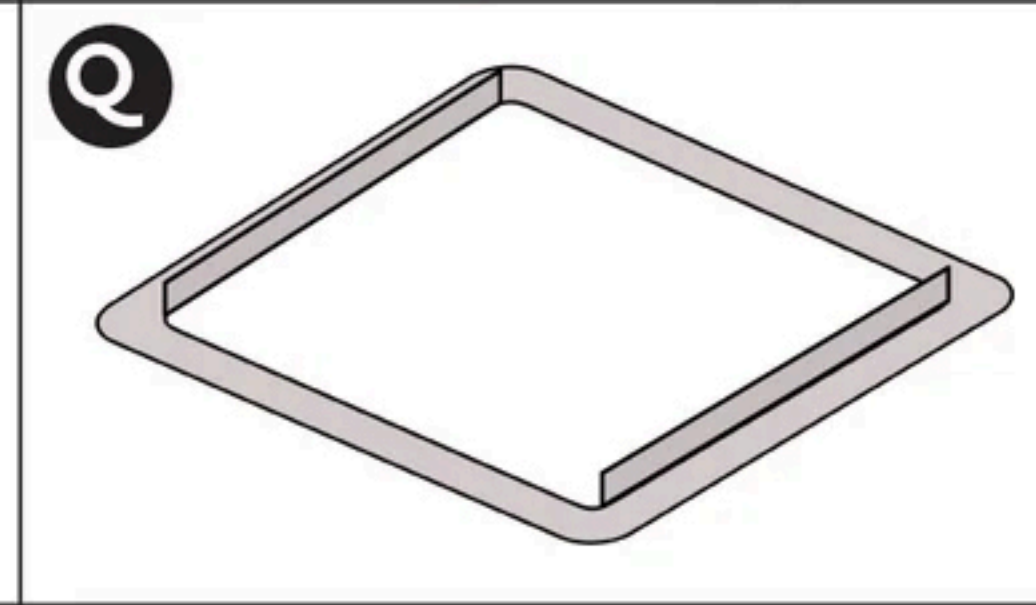
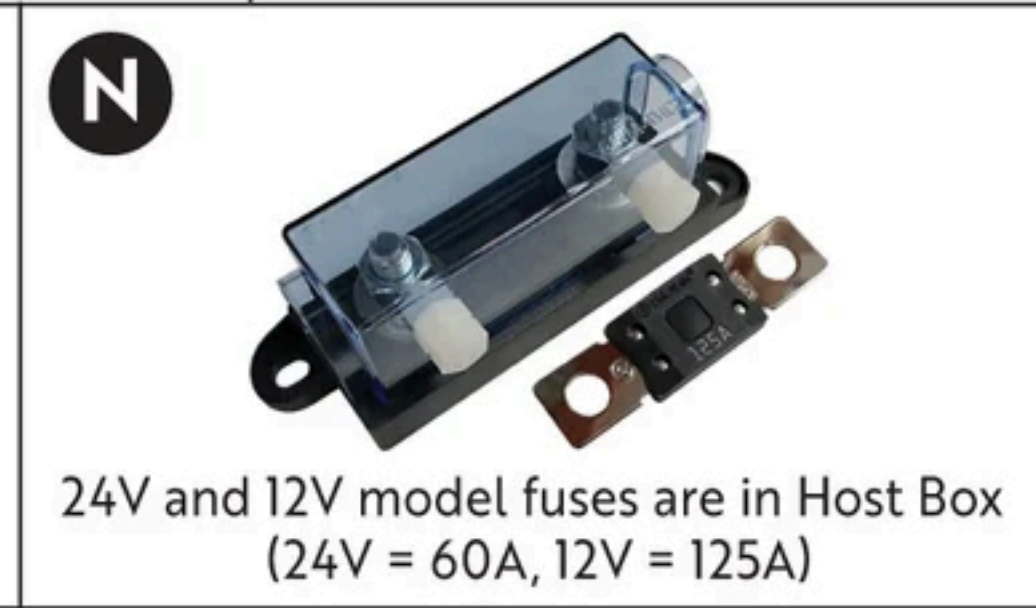
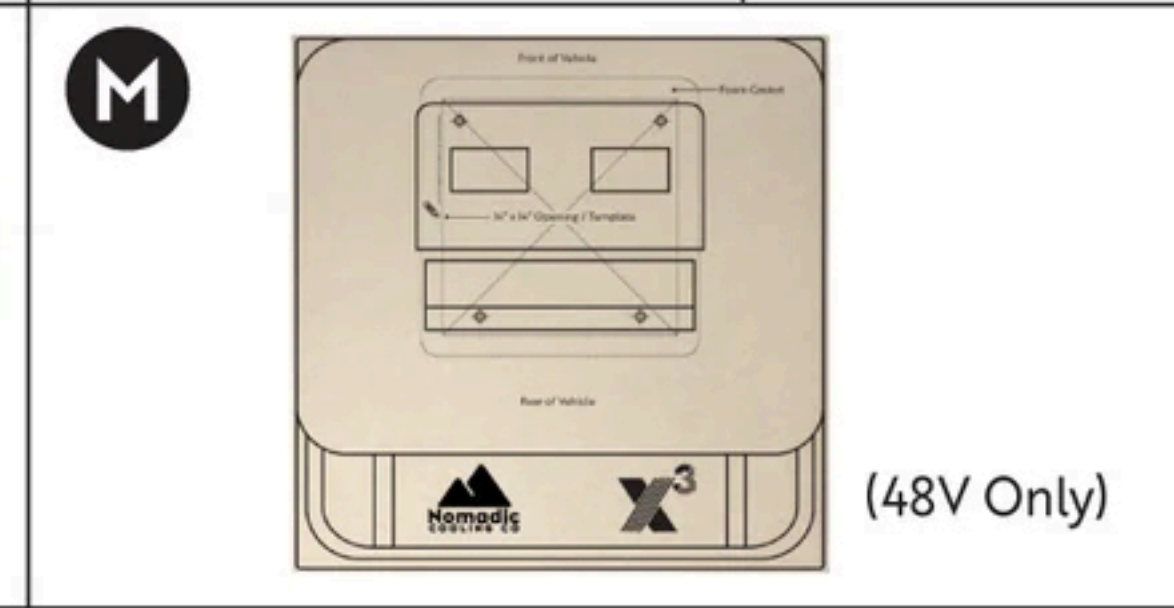
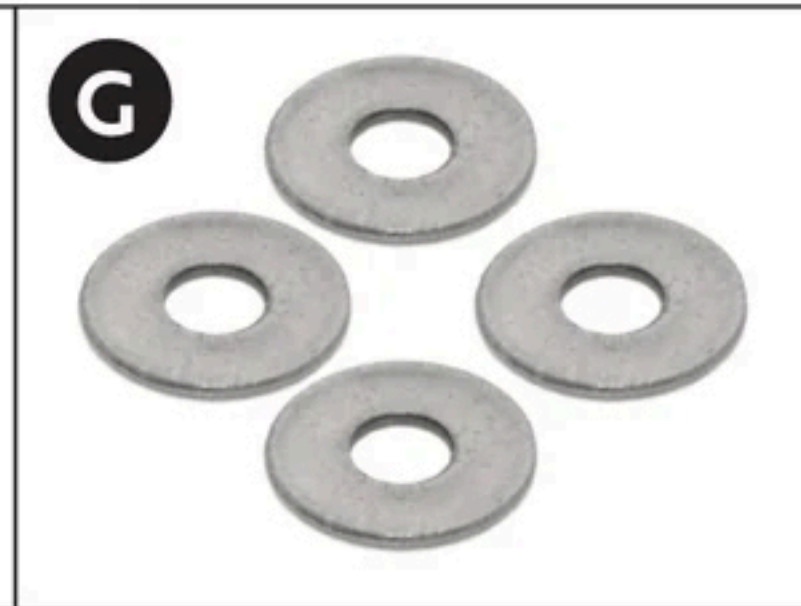
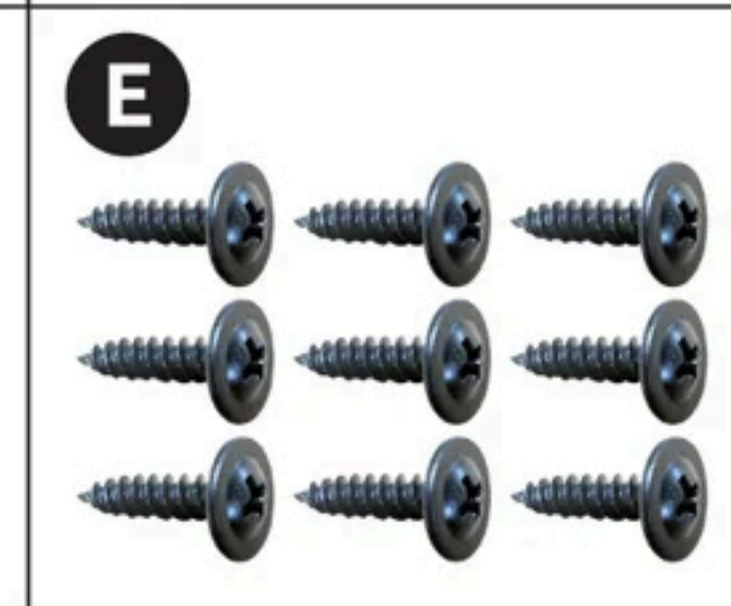


48V, 24V and 12V options are available



User Installation Guide and Operations Manual available at [NomadicCooling.com](http://NomadicCooling.com)

GO FURTHER  
IN COMFORT



### PARTS LIST

#### NC-X<sup>3</sup> AC Unit (Host Box)

ID	Qty	Part Name	✓
A	1	NC-X <sup>3</sup> AC Unit (Arctic White or Obsidian Black shroud)	<input type="checkbox"/>
B	1	Foam gasket	<input type="checkbox"/>
C	2	Crossbars	<input type="checkbox"/>
D	1	Faceplate (flush mount)	<input type="checkbox"/>
E	9	Faceplate screws (black)	<input type="checkbox"/>
F	4	Lock washers for mounting bolts	<input type="checkbox"/>
G	4	Washers for mounting bolts	<input type="checkbox"/>
H	4	Mounting bolts (M8)	<input type="checkbox"/>
I	4	Mounting nuts	<input type="checkbox"/>
J	1	Remote control	<input type="checkbox"/>
K	1	Foam Leveling Strip (1) and Air Separator (1)	<input type="checkbox"/>
L	1	Bagged and boxed Control Panel and Wiring Harness	<input type="checkbox"/>
Note: 48V (only) harness has an inline fuse.			
M	1	48V only: Rooftop template with 14" x 14" cutout	<input type="checkbox"/>
N	1	24/12V only: Fuse holder and fuse (24V = 60A, 12V = 125A)	<input type="checkbox"/>

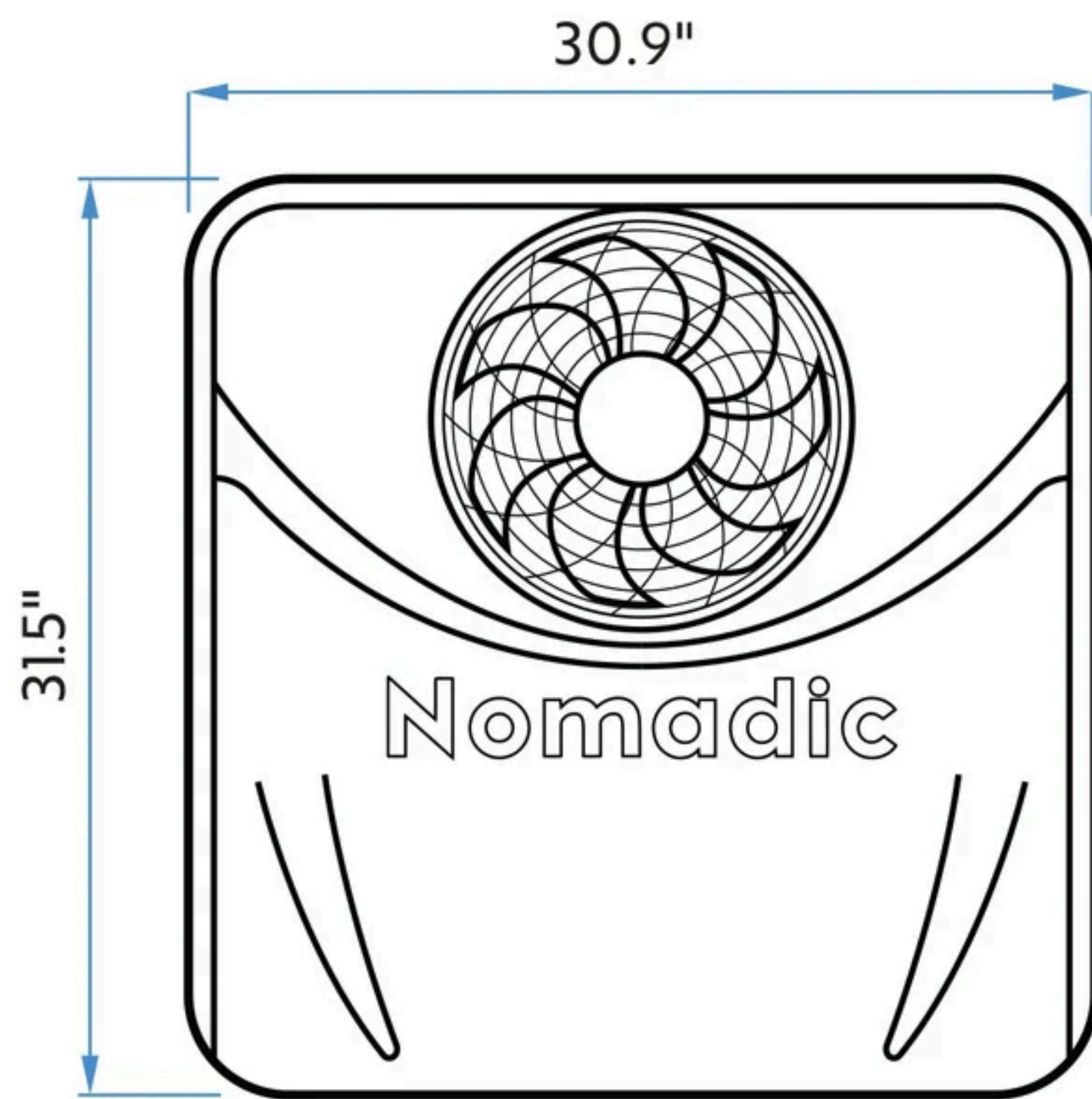
#### NC-X<sup>3</sup> DIY Kit (Optional)

O	1	48V only: Fuse holder and 30A fuse	<input type="checkbox"/>
P	1	Power Bundle, Anderson/Anderson-style connector	<input type="checkbox"/>
Q	1	NC-X <sup>3</sup> Trim ring	<input type="checkbox"/>
R	1	14" x 14" Cardboard template for rooftop cutout	<input type="checkbox"/>
S	20	Zip ties (10 large + 10 small) and Sticky Plates (10)	<input type="checkbox"/>
T	1	Tube of polyurethane adhesive sealant	<input type="checkbox"/>
U	1	Wide thermo tape (5 ft) for foam air separator	<input type="checkbox"/>
V	1	5/16" terminals (4), 3/4" heat shrink wraps (3 red, 1 black), and thread-locker (1)	<input type="checkbox"/>
W	10	Washers (are not used)	<input type="checkbox"/>

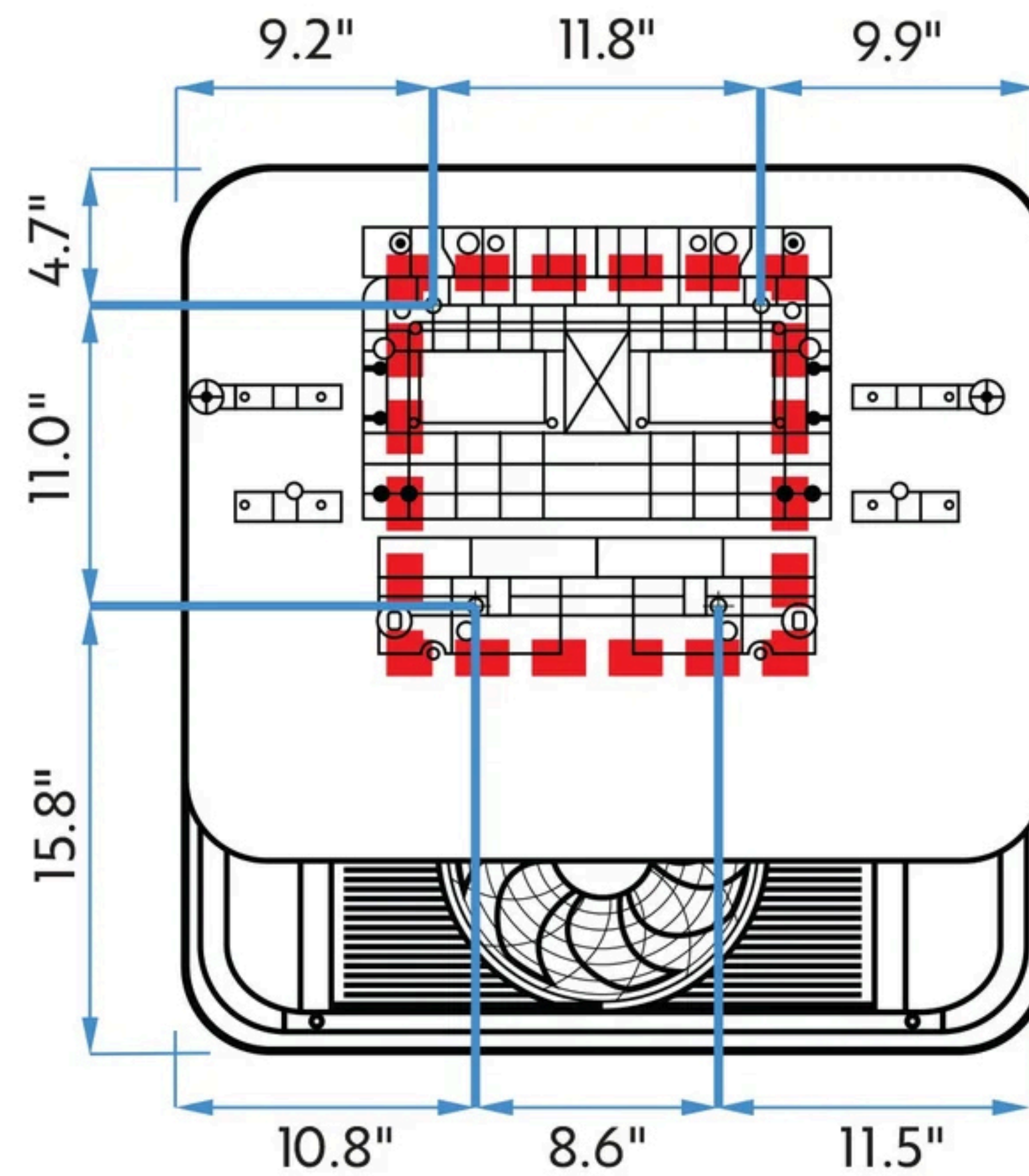
Representative products pictured are subject to change without notice.



**NC-X3** 48V | 24V | 12V

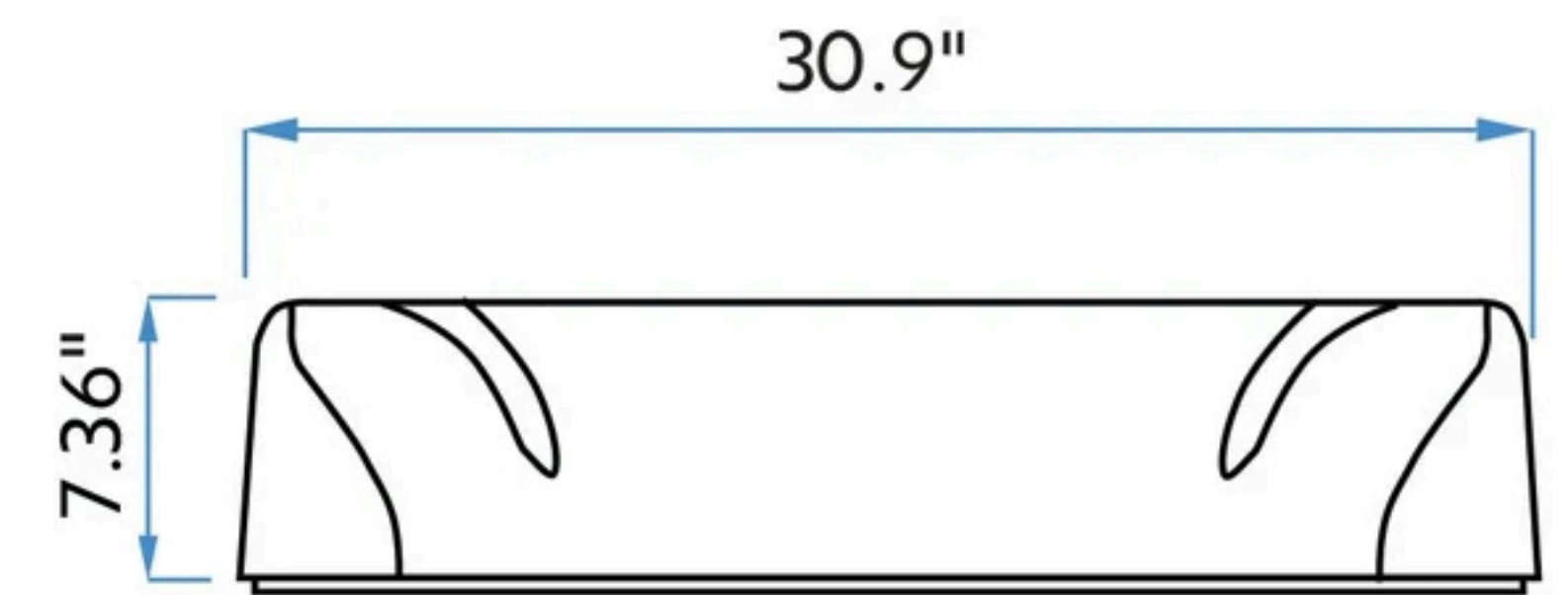


**TOP**

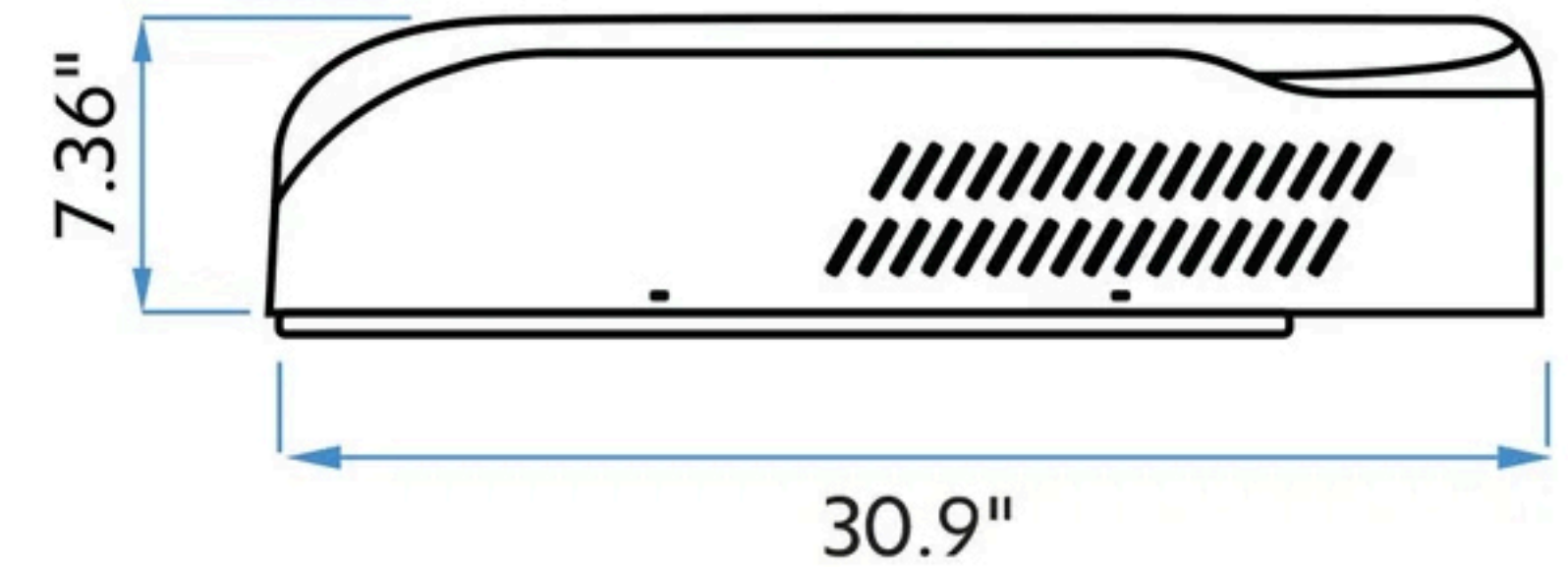


±1/8" allowance for 14"x14" opening

**BOTTOM**



**FRONT**

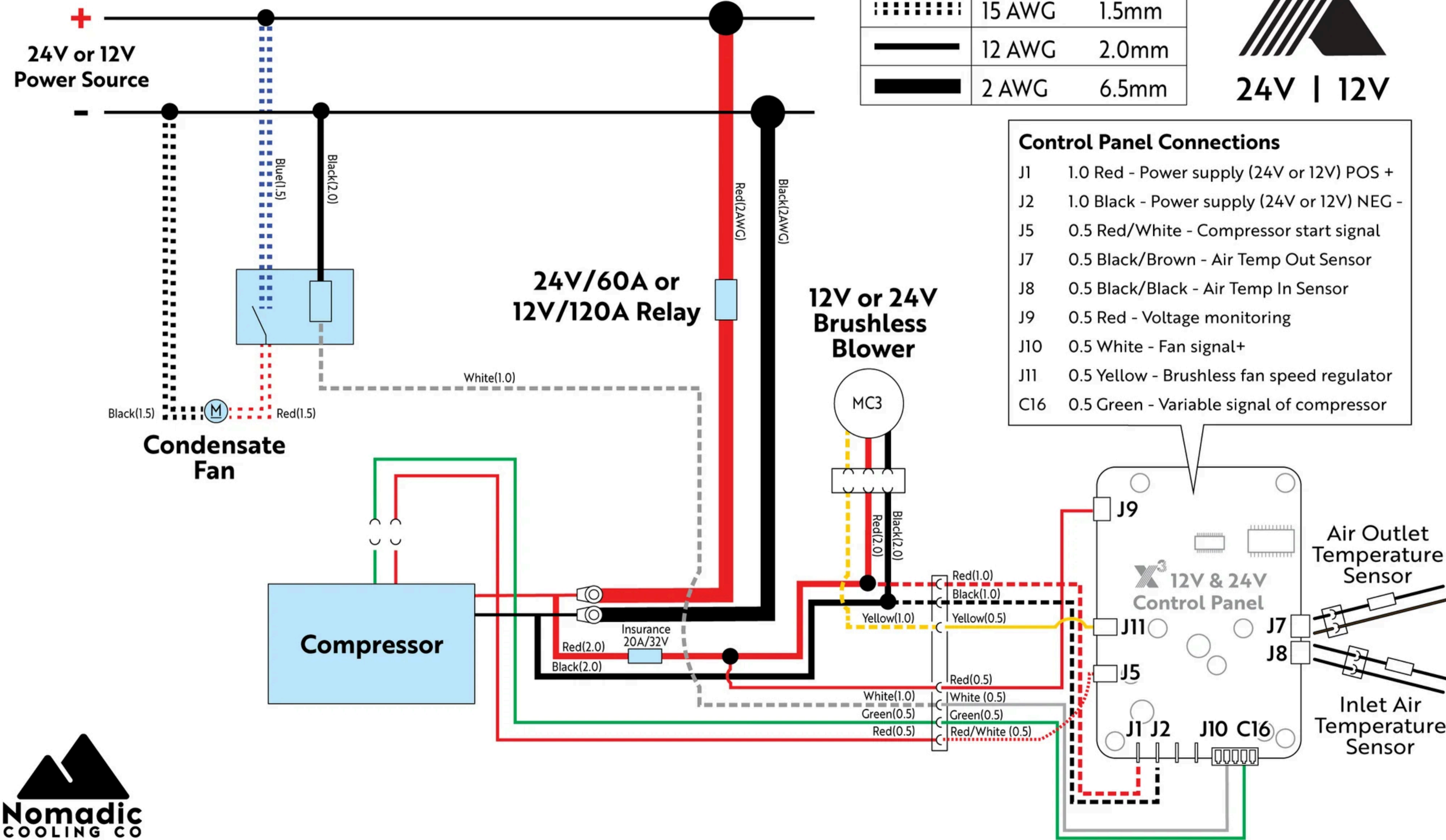


**SIDE**

(Nominal Dimensions for Reference Only)

# Electrical Wiring Diagram

Legend	Wire Diameter	
	24 AWG	0.5mm
	18 AWG	1.0mm
	15 AWG	1.5mm
	12 AWG	2.0mm
	2 AWG	6.5mm



**Control Panel Connections**

J1	1.0 Red - Power supply (24V or 12V) POS +
J2	1.0 Black - Power supply (24V or 12V) NEG -
J5	0.5 Red/White - Compressor start signal
J7	0.5 Black/Brown - Air Temp Out Sensor
J8	0.5 Black/Black - Air Temp In Sensor
J9	0.5 Red - Voltage monitoring
J10	0.5 White - Fan signal+
J11	0.5 Yellow - Brushless fan speed regulator
C16	0.5 Green - Variable signal of compressor