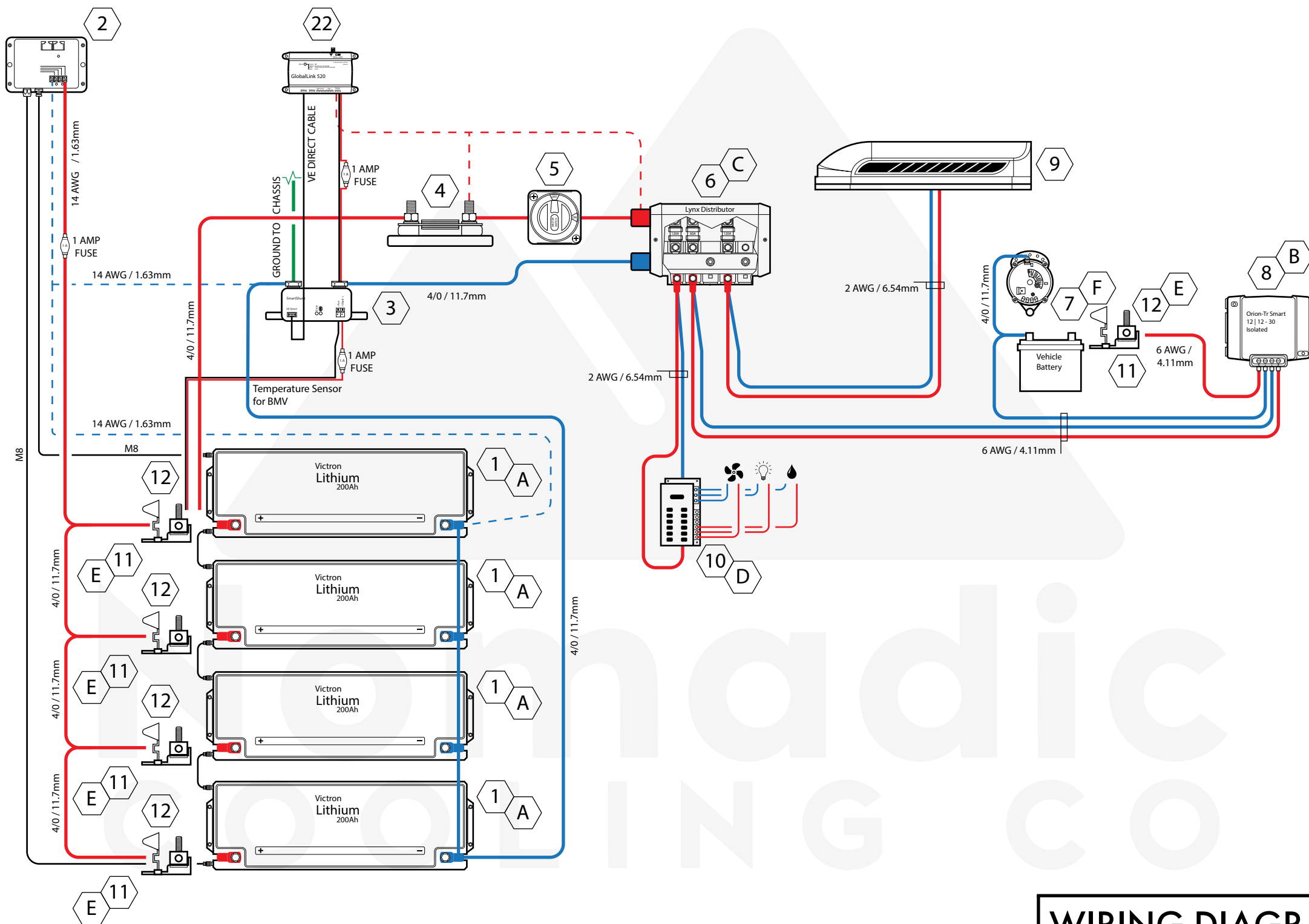


WANDERER 800ah

Electrical Wiring Diagram



WIRING DIAGRAM

WANDERER 12V 800AH

A1.1

LEGEND

- DIRECT CABLE
- POSITIVE
- NEGATIVE
- OPTIONAL PATH POSITIVE
- OPTIONAL PATH NEGATIVE
- GROUND

NOTES X

- A. Keep all positive and negative battery cables the same length and as short as possible.
- B. ORION TR SMART 12|12 - 30 **will become HOT**. Install in ventilated area.
- C. See sheet A3.1 for detailed diagram.
- D. See sheet A4.1 for detailed diagram.
- E. Fuse block sits on positive (+) terminal post.
- F. See sheet A5.1 for detailed diagram.

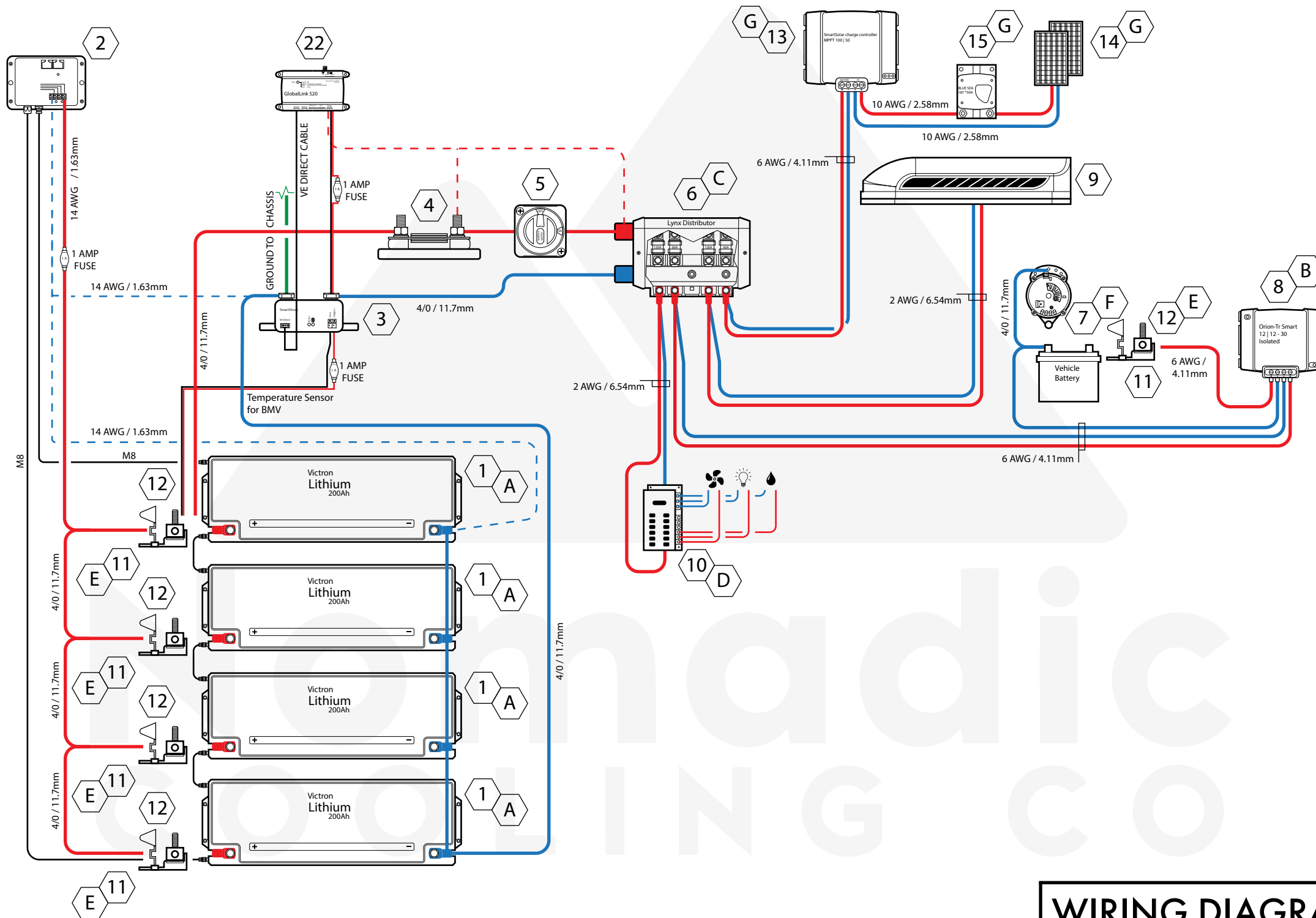
COMPONENTS

- | | | | |
|-------------------------------|--|---------------------------------------|-----------------------------|
| 1. LITHIUM BATTERY | 5. MASTER SWITCH | 8. ORION TR SMART 12 12 - 30 ISOLATED | 11. TERMINAL FUSE BLOCK |
| 2. VE. BUS BMS | 6. LYNX DISTRIBUTOR | 9. NOMADIC AC 150 AMP | 12. MRBF TERMINAL FUSE 250A |
| 3. SMART SHUNT | 7. POSITIVE TERMINAL POST STOCK BATTERY / STOCK ALTERNATOR | 10. FUSE BLOCK 120 AMPLIFIER | |
| 4. ANL FUSE BLOCK / FUSE 300A | | | |

DRAWING: NOT TO SCALE
COPYRIGHT ©2023 NOMADIC COOLING CO

DISCLAIMER:

Install at your own risk. This diagram is to be used as a guide. Your configuration may vary. Nomadic Cooling Co does not take responsibility for any errors that may occur during installation. Please consult with a professional for install.



WIRING DIAGRAM

WANDERER 12V 800AH - SOLAR

A1.2

LEGEND

- DIRECT CABLE
- POSITIVE
- NEGATIVE
- OPTIONAL PATH POSITIVE
- OPTIONAL PATH NEGATIVE
- GROUND

NOTES X

- A. Keep all positive and negative battery cables the same length and as short as possible.
- B. ORION TR SMART 12|12 - 30 **will become HOT.** Install in ventilated area.
- C. See sheet A3.1 for detailed diagram.
- D. See sheet A4.1 for detailed diagram.
- E. Fuse block sits on positive (+) terminal post.
- F. See sheet A5.1 for detailed diagram.
- G. Solar configuration same for 200ah - 800ah.

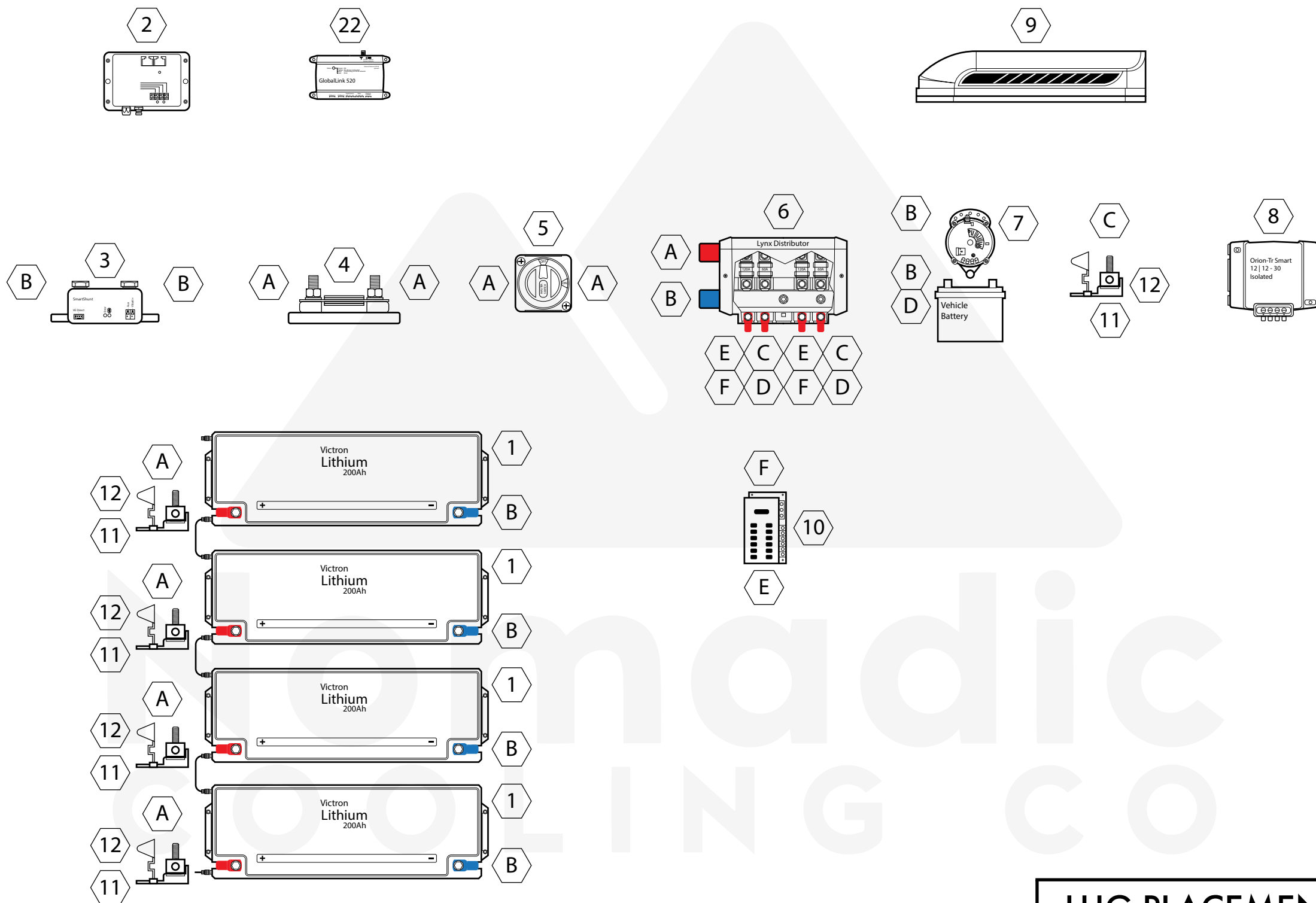
COMPONENTS

- | | | | |
|-------------------------------|--|---------------------------------------|-------------------------------|
| 1. LITHIUM BATTERY | 5. MASTER SWITCH | 8. ORION TR SMART 12 12 - 30 ISOLATED | 12. MRBF TERMINAL FUSE 250A |
| 2. VE. BUS BMS | 6. LYNX DISTRIBUTOR | 9. NOMADIC AC 150 AMP | 13. SMART SOLAR MPPT 100 30 |
| 3. SMART SHUNT | 7. POSITIVE TERMINAL POST STOCK BATTERY / STOCK ALTERNATOR | 10. FUSE BLOCK 120 AMPLIFIER | 14. SOLAR ARRAY |
| 4. ANL FUSE BLOCK / FUSE 300A | 11. TERMINAL FUSE BLOCK | 15. BLUE SEA 187 *50A | |

DRAWING: NOT TO SCALE
COPYRIGHT ©2023 NOMADIC COOLING CO

DISCLAIMER:

Install at your own risk. This diagram is to be used as a guide. Your configuration may vary. Nomadic Cooling Co does not take responsibility for any errors that may occur during installation. Please consult with a professional for install.



LUG PLACEMENT

WANDERER 12V 800AH

A2.1

LEGEND

- POSITIVE
- NEGATIVE

NOTES

- See sheet A3.1 for detailed diagram.

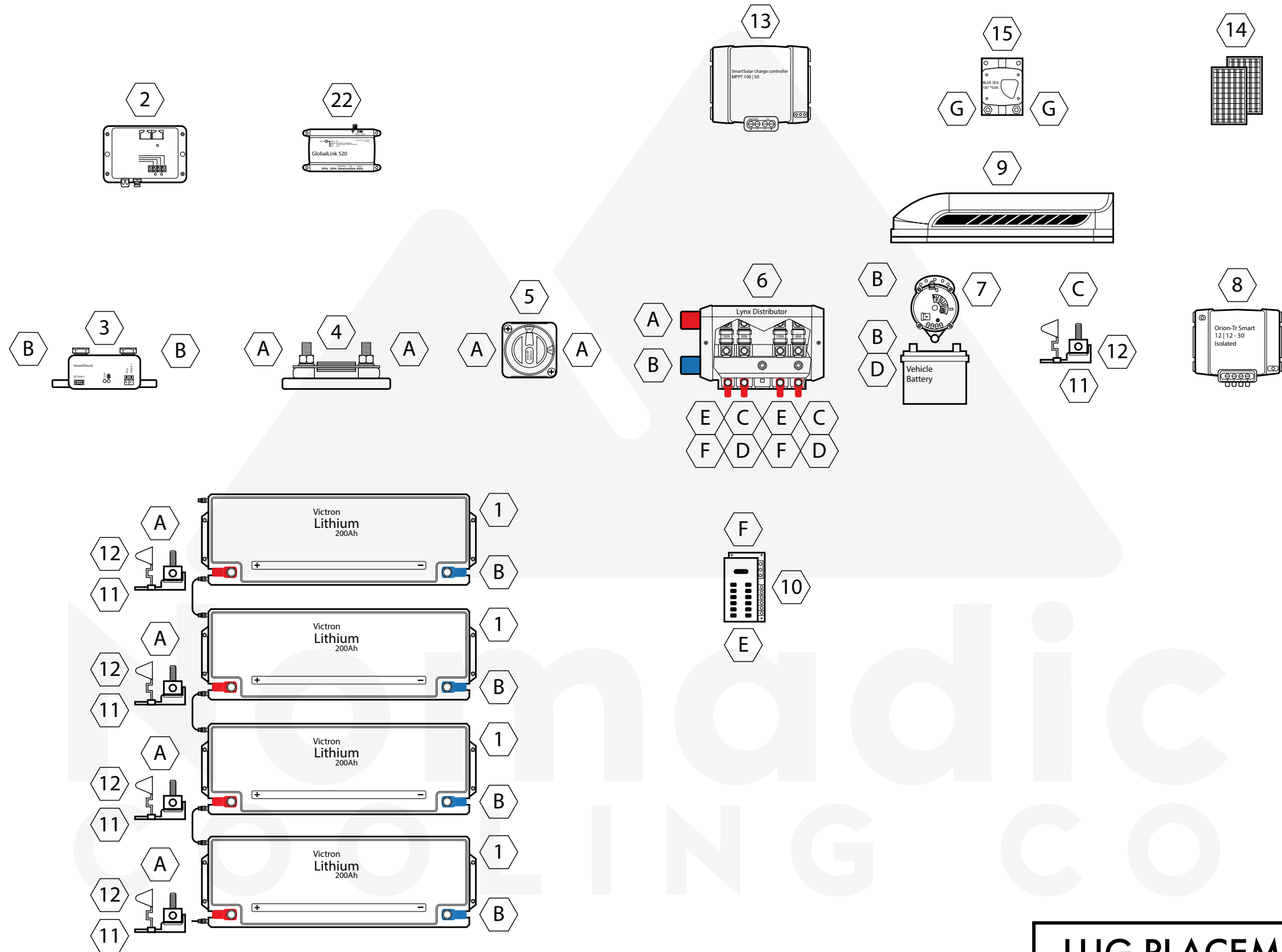
COMPONENTS

| # | COMPONENTS |
|-----|---|
| 1. | LITHIUM BATTERY |
| 2. | VE. BUS BMS |
| 3. | SMART SHUNT |
| 4. | ANL FUSE BLOCK / FUSE 300A |
| 5. | MASTER SWITCH |
| 6. | LYNX DISTRIBUTOR |
| 7. | POSITIVE TERMINAL POST STOCK BATTERY / STOCK ALTERNATOR |
| 8. | ORION TR SMART 12 12-30 ISOLATED |
| 9. | NOMADIC AC 150 AMP |
| 10. | FUSE BLOCK 120 AMPLIFIER |
| 11. | TERMINAL FUSE BLOCK |
| 12. | MRBF TERMINAL FUSE 250A |

DRAWING: NOT TO SCALE
COPYRIGHT ©2023 NOMADIC COOLING CO

DISCLAIMER:

Install at your own risk. This diagram is to be used as a guide. Your configuration may vary. Nomadic Cooling Co does not take responsibility for any errors that may occur during installation. Please consult with a professional for install.



LUG PLACEMENT

WANDERER 12V 800AH - SOLAR

A2.2

LEGEND



NOTES

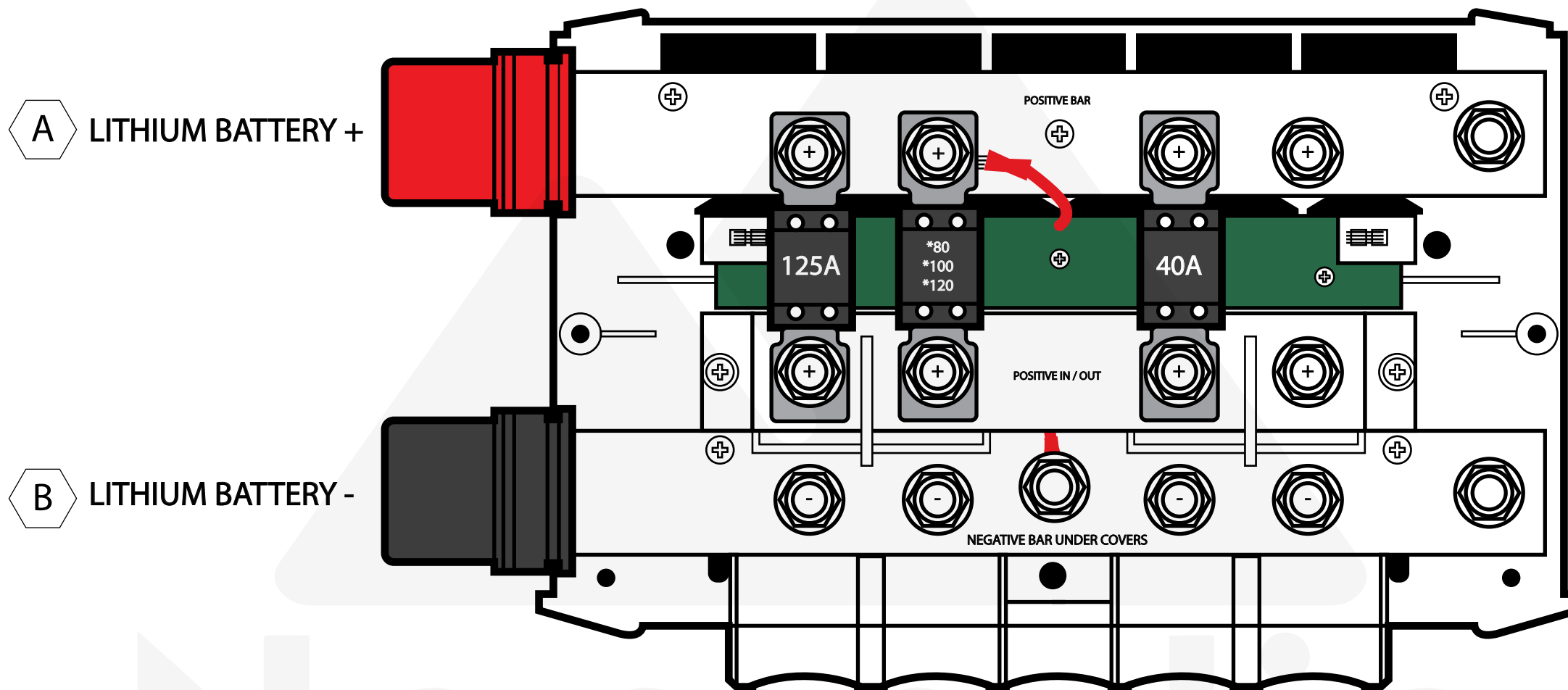
● See sheet A3.2 for detailed diagram.

COMPONENTS

| # | COMPONENTS |
|-----|---|
| 1. | LITHIUM BATTERY |
| 2. | VE. BUS BMS |
| 3. | SMART SHUNT |
| 4. | ANL FUSE BLOCK / FUSE 300A |
| 5. | MASTER SWITCH |
| 6. | LYNX DISTRIBUTOR |
| 7. | POSITIVE TERMINAL POST STOCK BATTERY / STOCK ALTERNATOR |
| 8. | ORION TR SMART 12 12 - 30 ISOLATED |
| 9. | NOMADIC AC 150 AMP |
| 10. | FUSE BLOCK 120 AMP LIFER |
| 11. | TERMINAL FUSE BLOCK |
| 12. | MRBF TERMINAL FUSE 250A |
| 13. | SMART SOLAR MPPT 100 30 |
| 14. | SOLAR ARRAY |
| 15. | BLUE SEA 187 *50A |

DRAWING: NOT TO SCALE
COPYRIGHT ©2023 NOMADIC COOLING CO

DISCLAIMER:
Install at your own risk. This diagram is to be used as a guide. Your configuration may vary. Nomadic Cooling Co does not take responsibility for any errors that may occur during installation. Please consult with a professional for install.



All cables to Lynx Distributor to be placed
POSITIVE ABOVE and NEGATIVE BELOW

FUSE BLOCK +

FUSE BLOCK -

AIR CONDITIONER +

AIR CONDITIONER -

ORION TR SMART +

ORION TR SMART -

EMPTY

EMPTY

| *AIR CONDITIONER FUSE SIZE 12V UNITS | | | |
|--------------------------------------|-------------------|-----------|------|
| AC Model | Mount 187 Breaker | Fuse Size | Qty. |
| Dometic RTX 1000 | 80 | 80 | 1 |
| Dometic RTX 2000 | 80 | 80 | 1 |
| Indel B OFF | 80 | 80 | 1 |
| Nomadic X3 | 120 | 125 | 1 |

LYNX DISTRIBUTOR

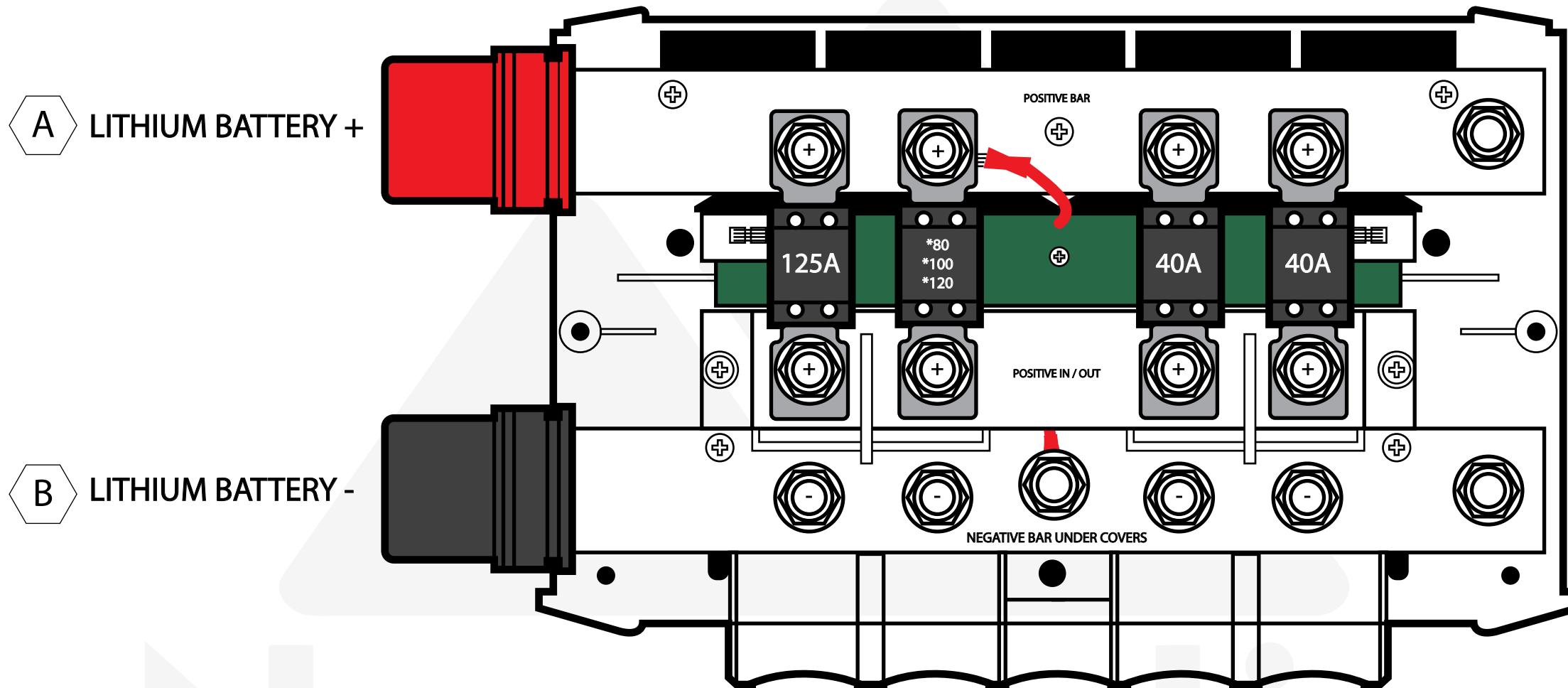
WANDERER 12V 800AH

A3.1

DRAWING: NOT TO SCALE
COPYRIGHT ©2023 NOMADIC COOLING CO

DISCLAIMER:

Install at your own risk. This diagram is to be used as a guide. Your configuration may vary. Nomadic Cooling Co does not take responsibility for any errors that may occur during installation. Please consult with a professional for install.



All cables to Lynx Distributor to be placed
POSITIVE ABOVE and NEGATIVE BELOW

FUSE BLOCK +

FUSE BLOCK -

E

F

AIR CONDITIONER +

AIR CONDITIONER -

C

D

ORION TR SMART +

ORION TR SMART -

E

F

SMART SOLAR +

SMART SOLAR -

C

D

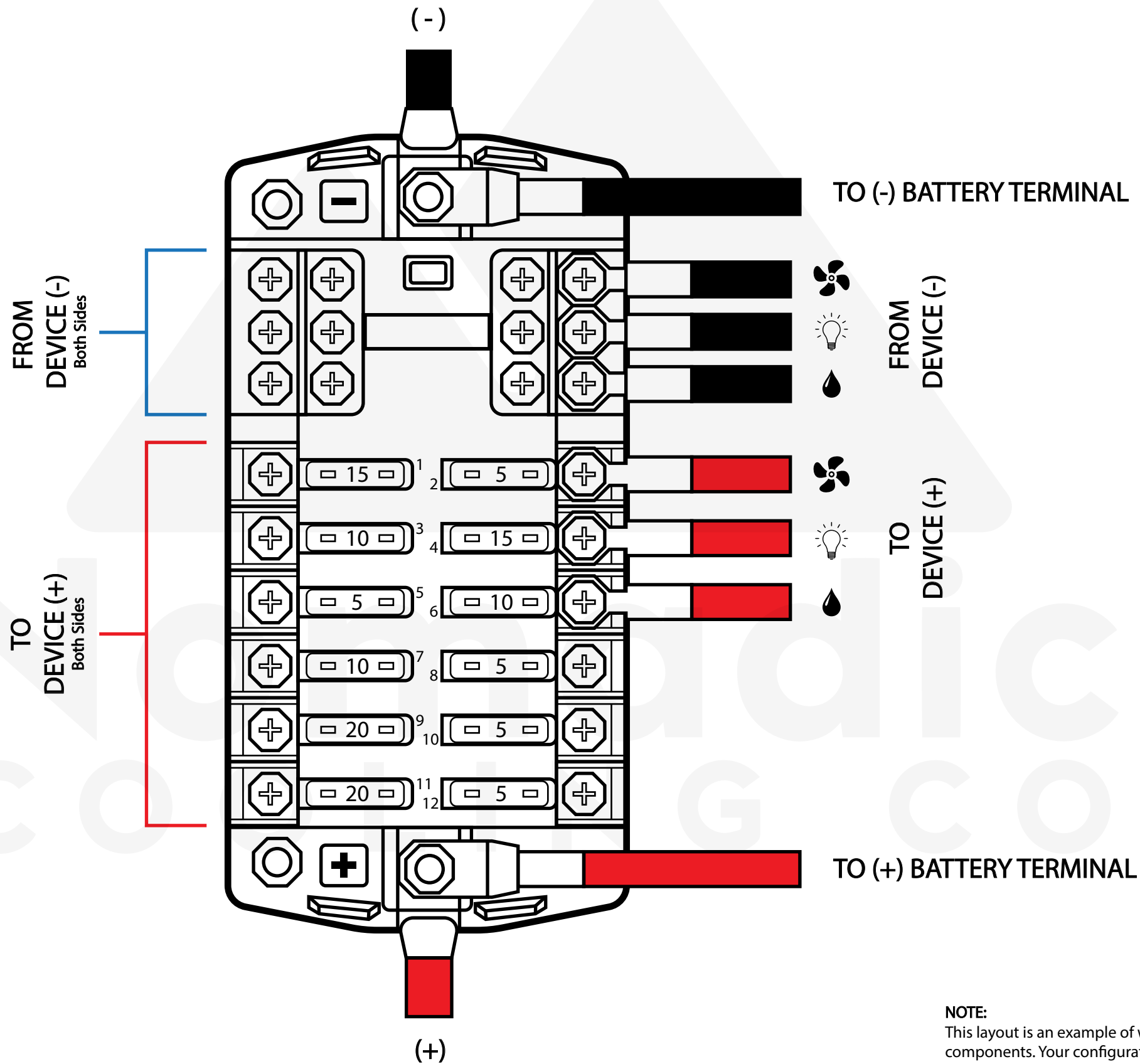
| *AIR CONDITIONER FUSE SIZE 12V UNITS | | | |
|--------------------------------------|----------------------|-----------|------|
| AC Model | Blue Sea 187 Breaker | Fuse Size | Qty. |
| Dometic RTX 1000 | 80 | 80 | 1 |
| Dometic RTX 2000 | 80 | 80 | 1 |
| Indel B OFF | 80 | 80 | 1 |
| Nomadic X3 | 120 | 125 | 1 |

LYNX DISTRIBUTOR

DRAWING: NOT TO SCALE
COPYRIGHT ©2023 NOMADIC COOLING CO

DISCLAIMER:

Install at your own risk. This diagram is to be used as a guide. Your configuration may vary. Nomadic Cooling Co does not take responsibility for any errors that may occur during installation. Please consult with a professional for install.



NOTE:
This layout is an example of wiring various components. Your configuration may differ.

DRAWING: NOT TO SCALE
COPYRIGHT ©2023 NOMADIC COOLING CO

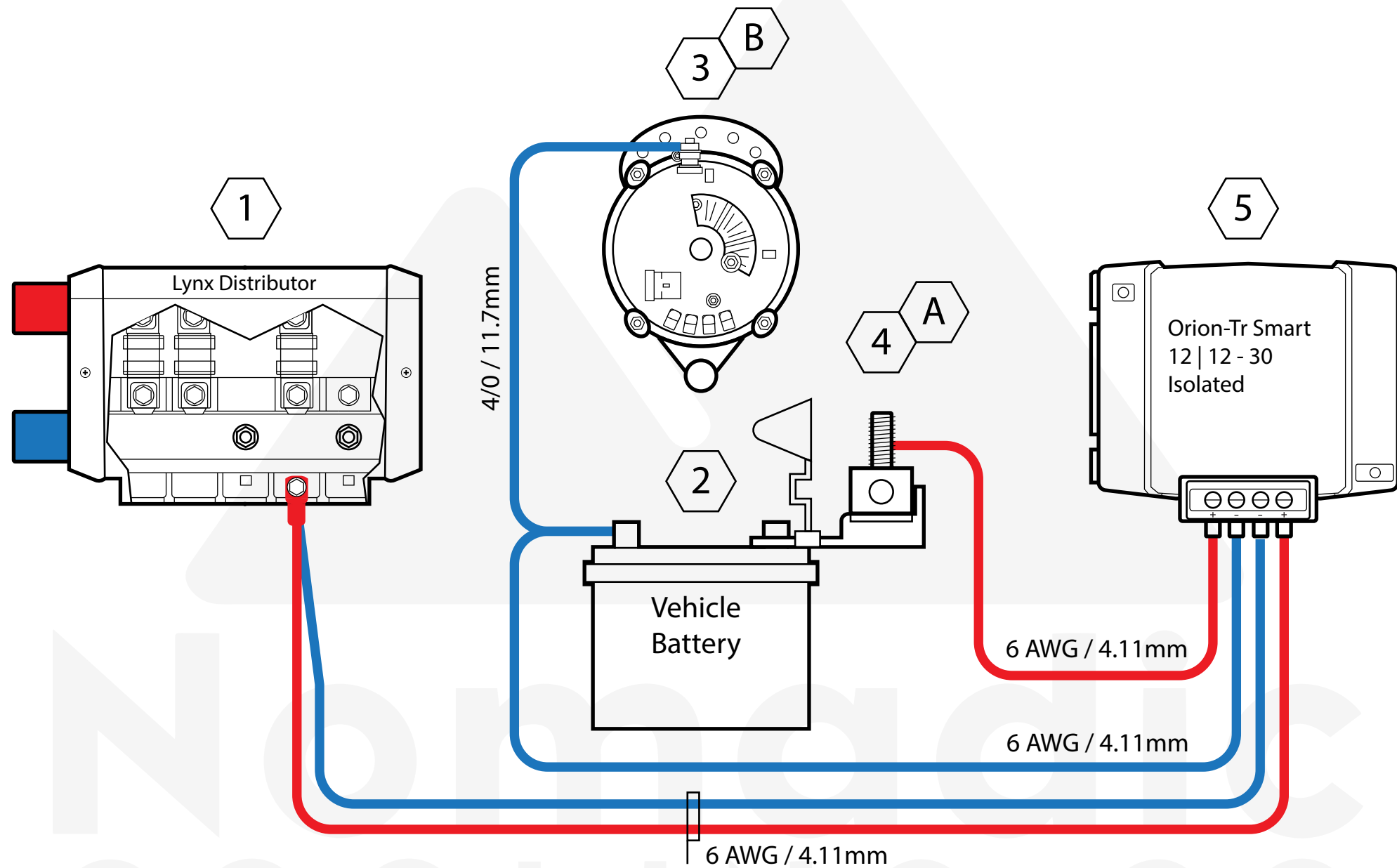
DISCLAIMER:

Install at your own risk. This diagram is to be used as a guide. Your configuration may vary. Nomadic Cooling Co does not take responsibility for any errors that may occur during installation. Please consult with a professional for install.

BLUE SEA ST BLADE

WANDERER 12V 800AH

A4.1



ORION-TR SMART ISOLATED

WANDERER 12V 800AH

A5.1

LEGEND

- POSITIVE
- NEGATIVE

NOTES X

- A. Terminal fuse block sits on positive battery terminal.
- B. 4/0 Negative cable from battery to negative post on stock alternator.

COMPONENTS

- | | | | | |
|---------------------|---|------------------------|---|---|
| 1. LYNX DISTRIBUTOR | 2. POSITIVE TERMINAL POST STOCK BATTERY | 3. STOCK ALTERNATOR | 4. TERMINAL FUSE BLOCK / MRBF TERMINAL FUSE 250A | 5. ORION TR SMART 12 12 30 ISOLATED |
|---------------------|---|------------------------|---|---|

DRAWING: NOT TO SCALE
COPYRIGHT ©2023 NOMADIC COOLING CO

DISCLAIMER:

Install at your own risk. This diagram is to be used as a guide. Your configuration may vary. Nomadic Cooling Co does not take responsibility for any errors that may occur during installation. Please consult with a professional for install.

| PARTS LIST WANDERER 800Ah | | | |
|---------------------------|-------------------|--|------|
| Key | Manufacturer | Product | Qty. |
| 1 | Victron | Lithium Battery 200Ah | 4 |
| 2 | Victron | VE. Bus BMS | 1 |
| 3 | Victron | Smart Shunt | 1 |
| 4 | Blue Sea | ANL Fuse Block and 300A Fuse | 1 |
| 5 | BEP/Blue Sea | Master Switch BEP 770-EZ Pro or 9003 | 1 |
| 6 | Victron | Lynx Distributor | 1 |
| 7 | - | Stock Alternator / Vehicle Battery - Customer Supplied, Not in kit | 1 |
| 8 | Victron | Orion TR Smart 12 12 - 30 | 1 |
| 9 | Nomadic / Dometic | Air Conditioner 150 Amp - Customer Supplied, Not in kit | 1 |
| 10 | Blue Sea | ST Blade Fuse Block 120A | 1 |
| 11 | Blue Sea | Terminal Fuse Block 30 to 300A | 5 |
| 12 | Blue Sea | Terminal Fuse 250A | 5 |

NOT ALL COMPONENTS IN KIT

| *AIR CONDITIONER FUSE SIZE 12V UNITS | | | |
|--------------------------------------|-------------------|-----------|------|
| AC Model | Mount 187 Breaker | Fuse Size | Qty. |
| Dometic RTX 1000 | 80 | 80 | 1 |
| Dometic RTX 2000 | 80 | 80 | 1 |
| Indel B OFF | 80 | 80 | 1 |
| Nomadic X3 | 120 | 125 | 1 |

NOT ALL COMPONENTS IN KIT

| FUSE SIZES | | |
|----------------|-----------|------|
| Component | Fuse Size | Qty. |
| Fuse Block | 125A | 1 |
| Orion TR Smart | 40A | 1 |

NOT ALL COMPONENTS IN KIT

DRAWING: NOT TO SCALE
COPYRIGHT ©2023 NOMADIC COOLING CO

DISCLAIMER:

Install at your own risk. This diagram is to be used as a guide. Your configuration may vary. Nomadic Cooling Co does not take responsibility for any errors that may occur during installation. Please consult with a professional for install.

PARTS TABLES

WANDERER 12V 800AH

A6.1

| PARTS LIST WANDERER 800Ah | | | |
|---------------------------|-------------------|--|------|
| Key | Manufacturer | Product | Qty. |
| 1 | Victron | Lithium Battery 200Ah | 4 |
| 2 | Victron | VE. Bus BMS | 1 |
| 3 | Victron | Smart Shunt | 1 |
| 4 | Blue Sea | ANL Fuse Block and 300A Fuse | 1 |
| 5 | BEP/Blue Sea | Master Switch BEP 770-EZ Pro or 9003 | 1 |
| 6 | Victron | Lynx Distributor | 1 |
| 7 | - | Stock Alternator / Vehicle Battery - Customer Supplied, Not in kit | 1 |
| 8 | Victron | Orion TR Smart 12 12 - 30 | 1 |
| 9 | Nomadic / Dometic | Air Conditioner 150 Amp - Customer Supplied, Not in kit | 1 |
| 10 | Blue Sea | ST Blade Fuse Block 120A | 1 |
| 11 | Blue Sea | Terminal Fuse Block 30 to 300A | 5 |
| 12 | Blue Sea | Terminal Fuse 250A | 5 |
| 13 | Victron | Smart Solar MPPT 100 30 | 1 |
| 14 | - | Solar Panel Array - Customer Supplies, Not in kit | 2 |
| 15 | Blue Sea | Blue Sea 187 Breaker - Size dependant on solar panels | 1 |

NOT ALL COMPONENTS IN KIT

| *AIR CONDITIONER FUSE SIZE 12V UNITS | | | |
|--------------------------------------|----------------------|-----------|------|
| AC Model | Blue Sea 187 Breaker | Fuse Size | Qty. |
| Dometic RTX 1000 | 80 | 80 | 1 |
| Dometic RTX 2000 | 80 | 80 | 1 |
| Indel B OFF | 80 | 80 | 1 |
| Nomadic X3 | 120 | 125 | 1 |

NOT ALL COMPONENTS IN KIT

| FUSE SIZES | | |
|------------------|-----------|------|
| Component | Fuse Size | Qty. |
| Fuse Block | 125A | 1 |
| Orion TR Smart | 40A | 1 |
| Smart Solar MPPT | 40A | 1 |

NOT ALL COMPONENTS IN KIT

DRAWING: NOT TO SCALE
COPYRIGHT ©2023 NOMADIC COOLING CO

DISCLAIMER:

Install at your own risk. This diagram is to be used as a guide. Your configuration may vary. Nomadic Cooling Co does not take responsibility for any errors that may occur during installation. Please consult with a professional for install.

PARTS TABLES