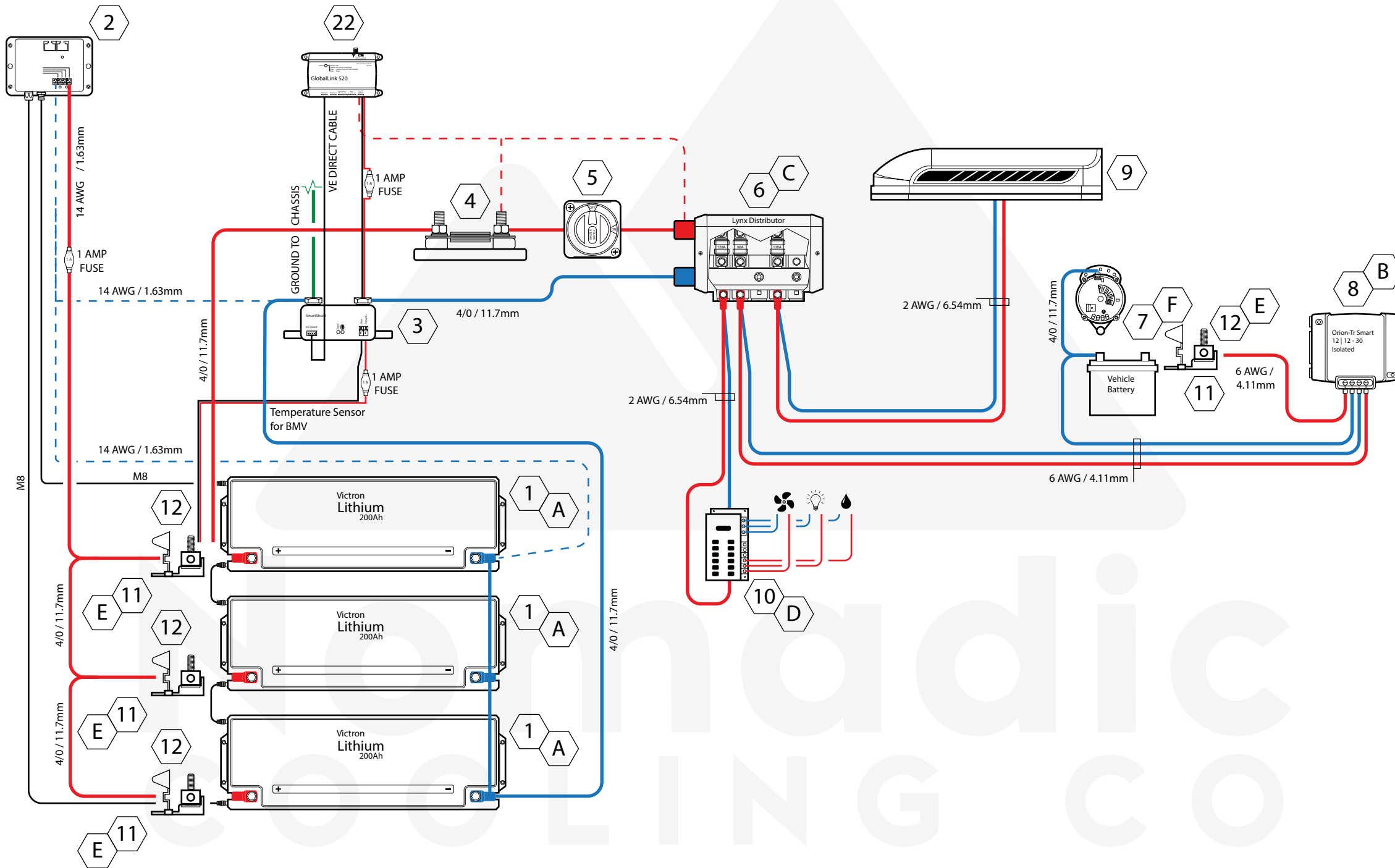


WANDERER 600ah

Electrical Wiring Diagram



WIRING DIAGRAM

WANDERER 12V 600AH

A1.1

LEGEND

- DIRECT CABLE
- POSITIVE
- NEGATIVE
- OPTIONAL PATH POSITIVE
- OPTIONAL PATH NEGATIVE
- GROUND

NOTES X

- A. Keep all positive and negative battery cables the same length and as short as possible.
- B. ORION TR SMART 12|12 - 30 **will become HOT.** Install in ventilated area.
- C. See sheet A3.1 for detailed diagram.
- D. See sheet A4.1 for detailed diagram.
- E. Fuse block sits on positive (+) terminal post.
- F. See sheet A5.1 for detailed diagram.

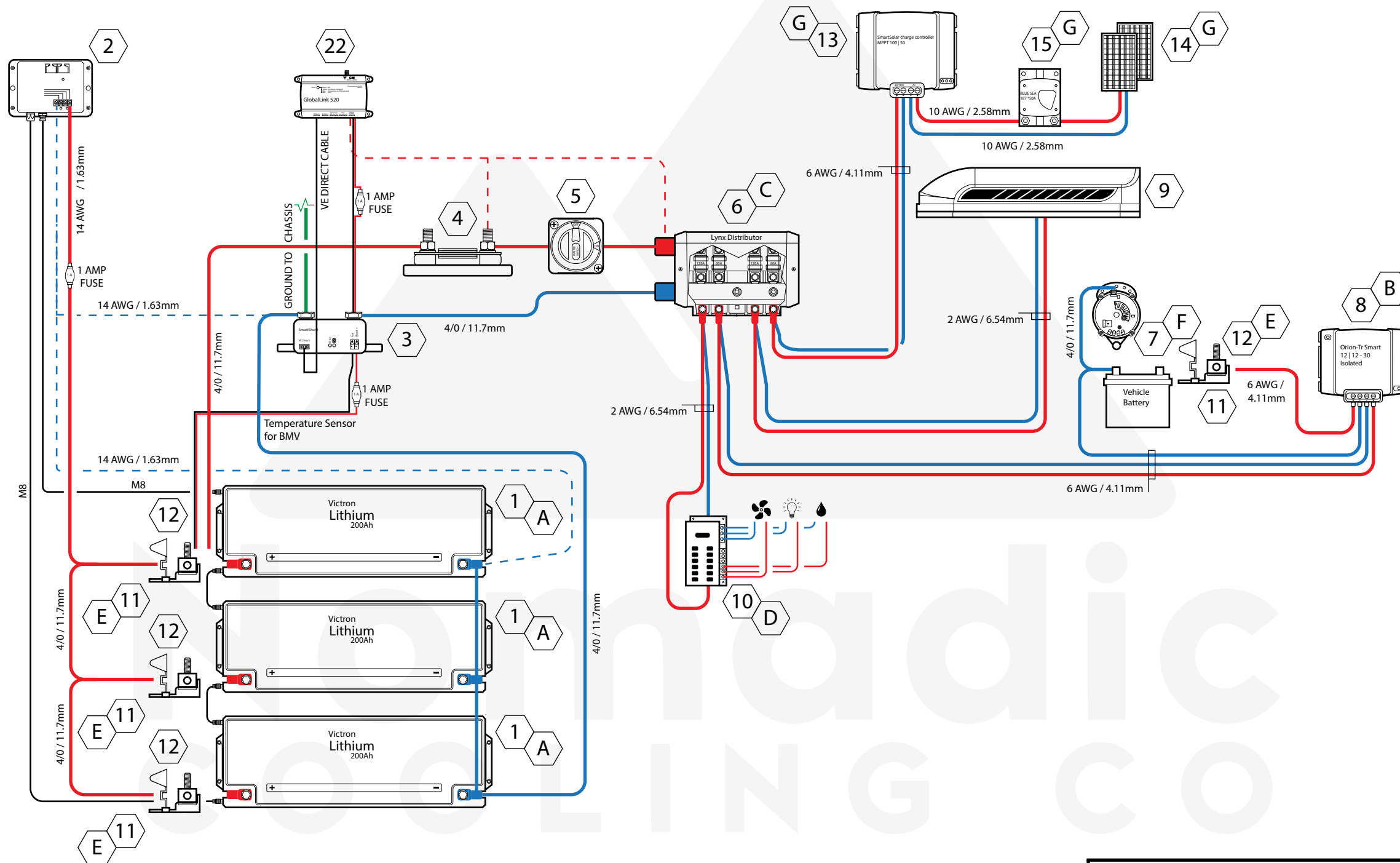
COMPONENTS

- | | | | |
|-------------------------------|--|---------------------------------------|-----------------------------|
| 1. LITHIUM BATTERY | 5. MASTER SWITCH | 8. ORION TR SMART 12 12 - 30 ISOLATED | 11. TERMINAL FUSE BLOCK |
| 2. VE. BUS BMS | 6. LYNX DISTRIBUTOR | 9. NOMADIC AC 150 AMP | 12. MRBF TERMINAL FUSE 250A |
| 3. SMART SHUNT | 7. POSITIVE TERMINAL POST STOCK BATTERY / STOCK ALTERNATOR | 10. FUSE BLOCK 120 AMPLIFIER | |
| 4. ANL FUSE BLOCK / FUSE 300A | | | |

DRAWING: NOT TO SCALE
COPYRIGHT ©2023 NOMADIC COOLING CO

DISCLAIMER:

Install at your own risk. This diagram is to be used as a guide. Your configuration may vary. Nomadic Cooling Co does not take responsibility for any errors that may occur during installation. Please consult with a professional for install.



WIRING DIAGRAM

WANDERER 12V 600AH - SOLAR

A1.2

LEGEND

- DIRECT CABLE
- POSITIVE
- NEGATIVE
- OPTIONAL PATH POSITIVE
- OPTIONAL PATH NEGATIVE
- GROUND

NOTES X

- A. Keep all positive and negative battery cables the same length and as short as possible.
- B. ORION TR SMART 12|12 - 30 **will become HOT.** Install in ventilated area.
- C. See sheet A3.1 for detailed diagram.
- D. See sheet A4.1 for detailed diagram.
- E. Fuse block sits on positive (+) terminal post.
- F. See sheet A5.1 for detailed diagram.
- G. Solar configuration same for 200ah - 800ah.

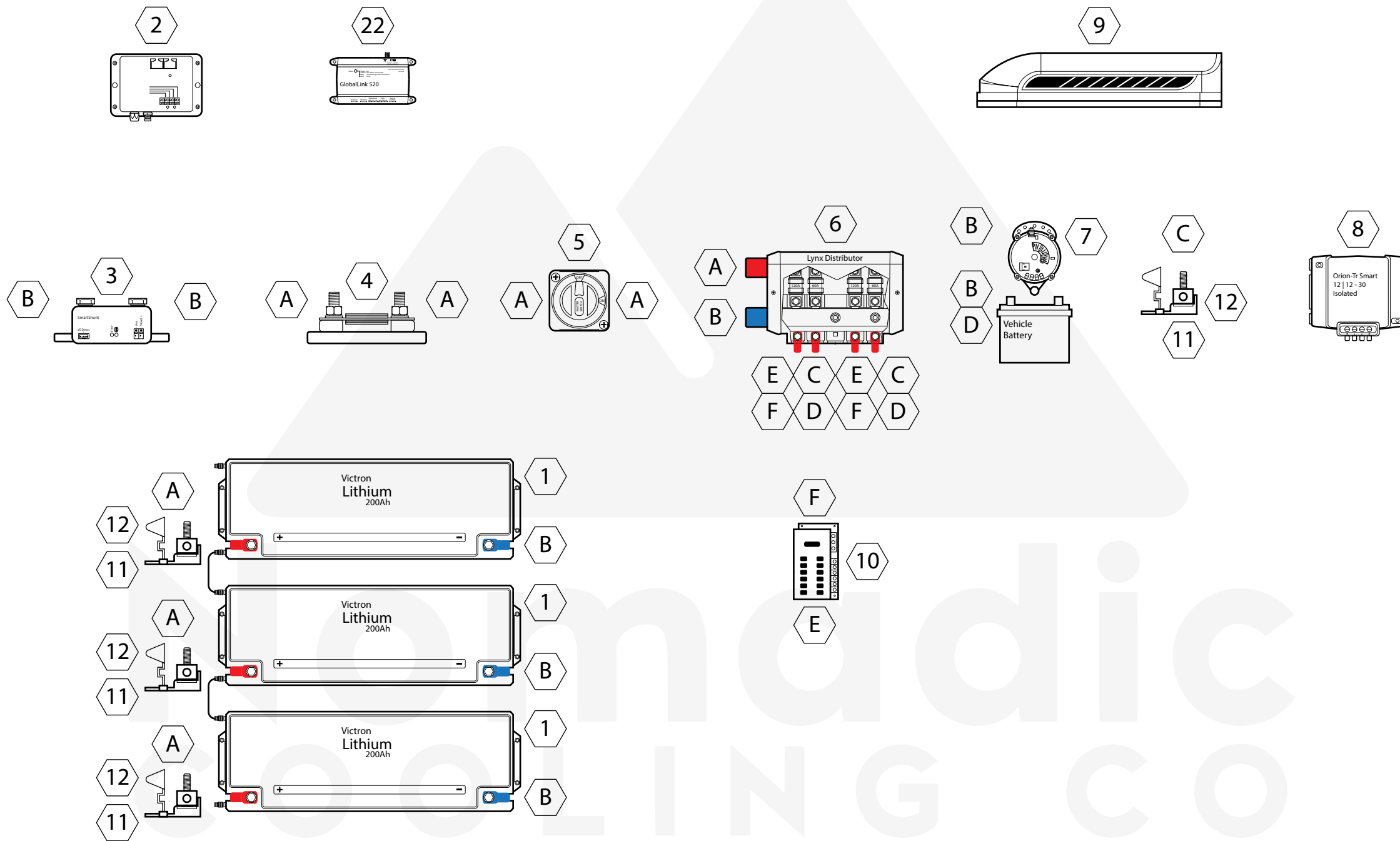
COMPONENTS

- | | | | |
|-------------------------------|--|---------------------------------------|-------------------------------|
| 1. LITHIUM BATTERY | 5. MASTER SWITCH | 8. ORION TR SMART 12 12 - 30 ISOLATED | 12. MRBF TERMINAL FUSE 250A |
| 2. VE. BUS BMS | 6. LYNX DISTRIBUTOR | 9. NOMADIC AC 150 AMP | 13. SMART SOLAR MPPT 100 30 |
| 3. SMART SHUNT | 7. POSITIVE TERMINAL POST STOCK BATTERY / STOCK ALTERNATOR | 10. FUSE BLOCK 120 AMPLIFIER | 14. SOLAR ARRAY |
| 4. ANL FUSE BLOCK / FUSE 300A | | 11. TERMINAL FUSE BLOCK | 15. BLUE SEA 187 *50A |

DRAWING: NOT TO SCALE
COPYRIGHT ©2023 NOMADIC COOLING CO

DISCLAIMER:

Install at your own risk. This diagram is to be used as a guide. Your configuration may vary. Nomadic Cooling Co does not take responsibility for any errors that may occur during installation. Please consult with a professional for install.



LUG PLACEMENT

WANDERER 12V 600AH

A2.1

LEGEND

- POSITIVE
- NEGATIVE

NOTES

- See sheet A3.1 for detailed diagram.

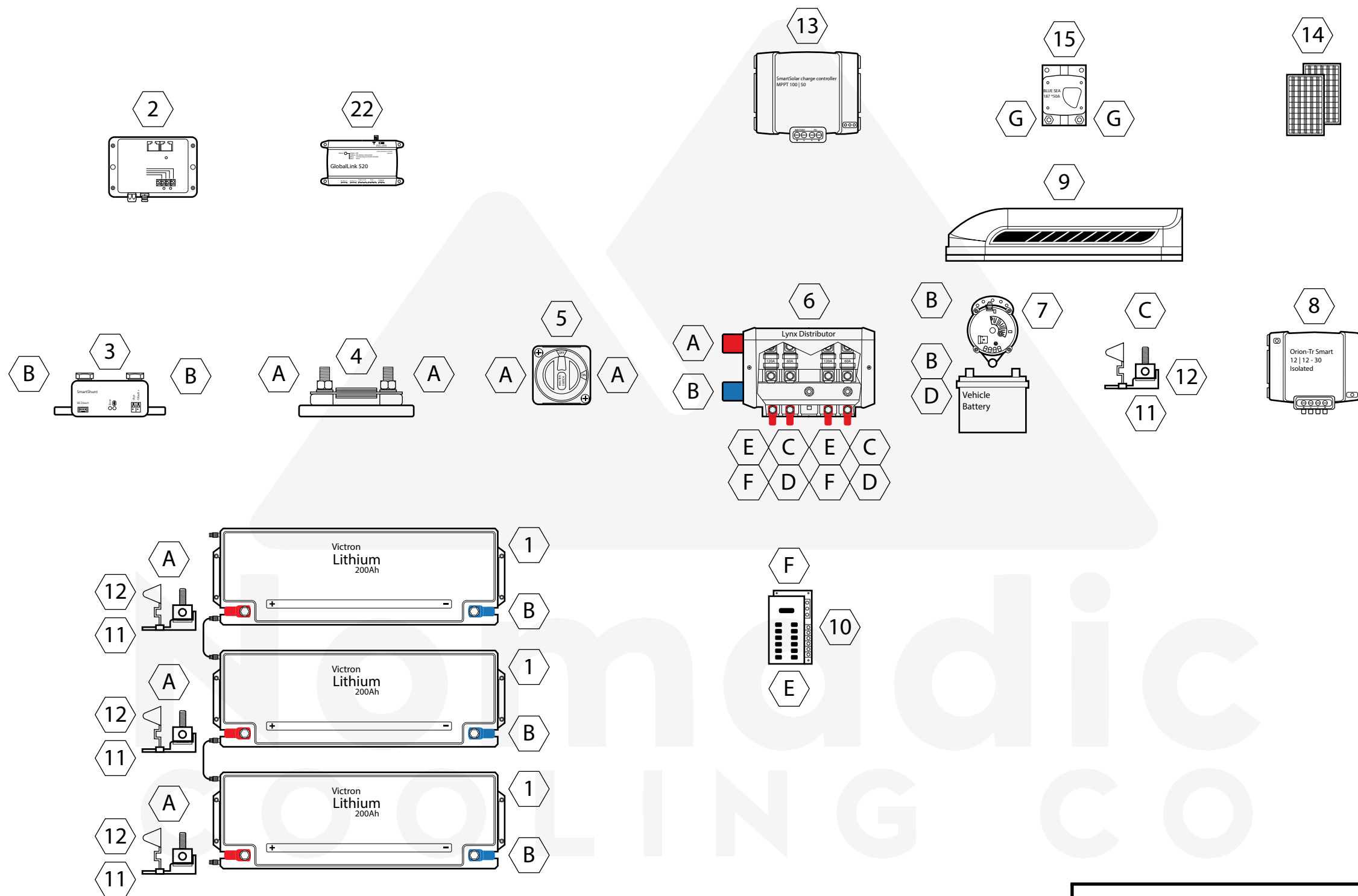
COMPONENTS

- | | # |
|-------------------------------|--|
| 1. LITHIUM BATTERY | 5. MASTER SWITCH |
| 2. VE. BUS BMS | 6. LYNX DISTRIBUTOR |
| 3. SMART SHUNT | 7. POSITIVE TERMINAL POST STOCK BATTERY / STOCK ALTERNATOR |
| 4. ANL FUSE BLOCK / FUSE 300A | 8. ORION TR SMART 12 12-30 ISOLATED |
| | 9. NOMADIC AC 150 AMP |
| | 10. FUSE BLOCK 120 AMPLIFIER |
| | 11. TERMINAL FUSE BLOCK |
| | 12. MRBF TERMINAL FUSE 250A |

DRAWING: NOT TO SCALE
COPYRIGHT ©2023 NOMADIC COOLING CO

DISCLAIMER:

Install at your own risk. This diagram is to be used as a guide. Your configuration may vary. Nomadic Cooling Co does not take responsibility for any errors that may occur during installation. Please consult with a professional for install.



LUG PLACEMENT

WANDERER 12V 600AH - SOLAR

A2.2

LEGEND



NOTES

- See sheet A3.2 for detailed diagram.

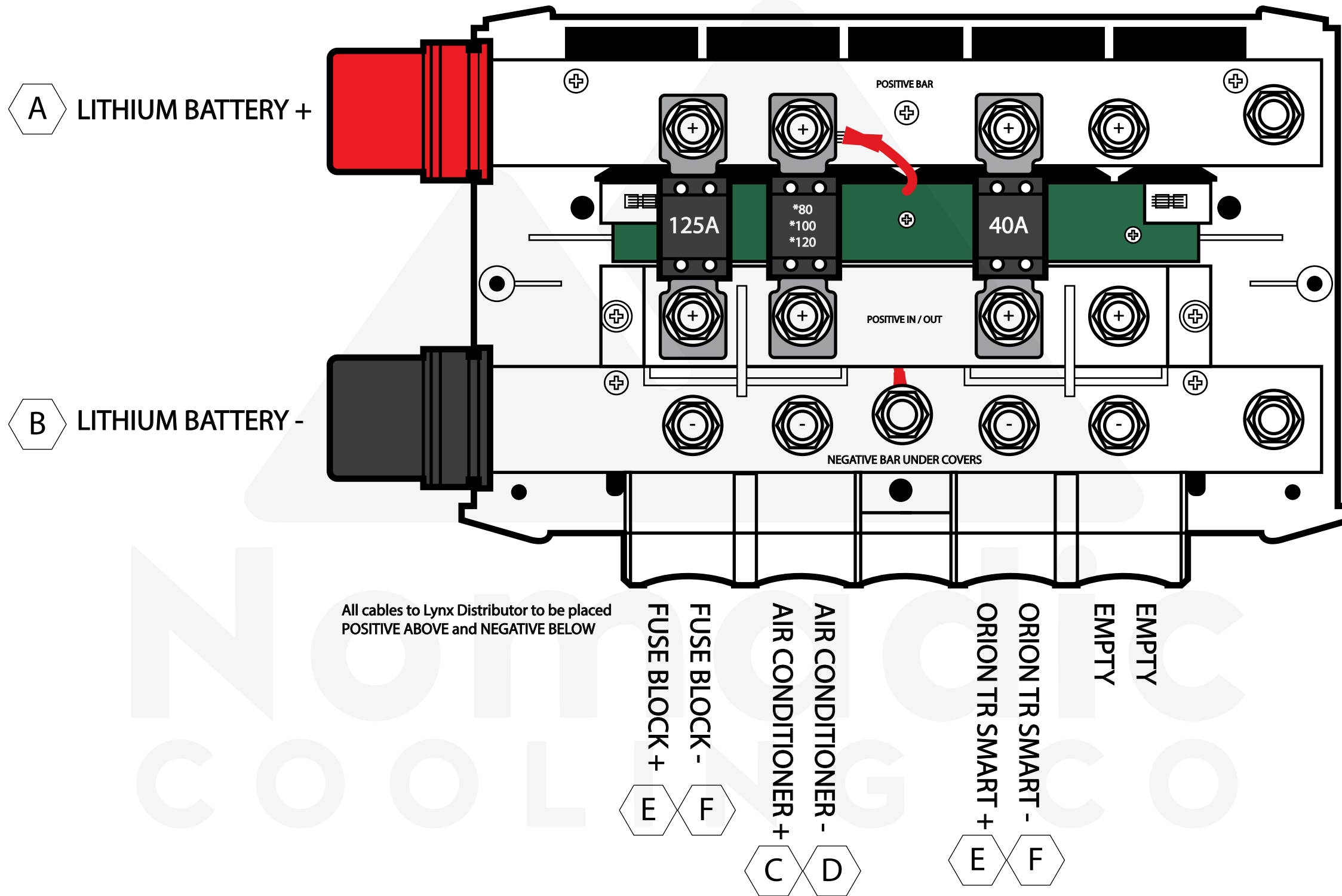
COMPONENTS

#	COMPONENTS
1.	LITHIUM BATTERY
2.	VE. BUS BMS
3.	SMART SHUNT
4.	ANL FUSE BLOCK / FUSE 300A
5.	MASTER SWITCH
6.	LYNX DISTRIBUTOR
7.	POSITIVE TERMINAL POST STOCK BATTERY / STOCK ALTERNATOR
8.	ORION TR SMART 12 12 - 30 ISOLATED
9.	NOMADIC AC 150 AMP
10.	FUSE BLOCK 120 AMP LIFIER
11.	TERMINAL FUSE BLOCK
12.	MRBF TERMINAL FUSE 250A
13.	SMART SOLAR MPPT 100 30
14.	SOLAR ARRAY
15.	BLUE SEA 187 *50A

DRAWING: NOT TO SCALE
COPYRIGHT ©2023 NOMADIC COOLING CO

DISCLAIMER:

Install at your own risk. This diagram is to be used as a guide. Your configuration may vary. Nomadic Cooling Co does not take responsibility for any errors that may occur during installation. Please consult with a professional for install.



*AIR CONDITIONER FUSE SIZE 12V UNITS			
AC Model	Blue Sea 187 Breaker	Fuse Size	Qty.
Dometic RTX 1000	80	80	1
Dometic RTX 2000	80	80	1
Indel B OFF	80	80	1
Nomadic X3	120	125	1

LYNX DISTRIBUTOR

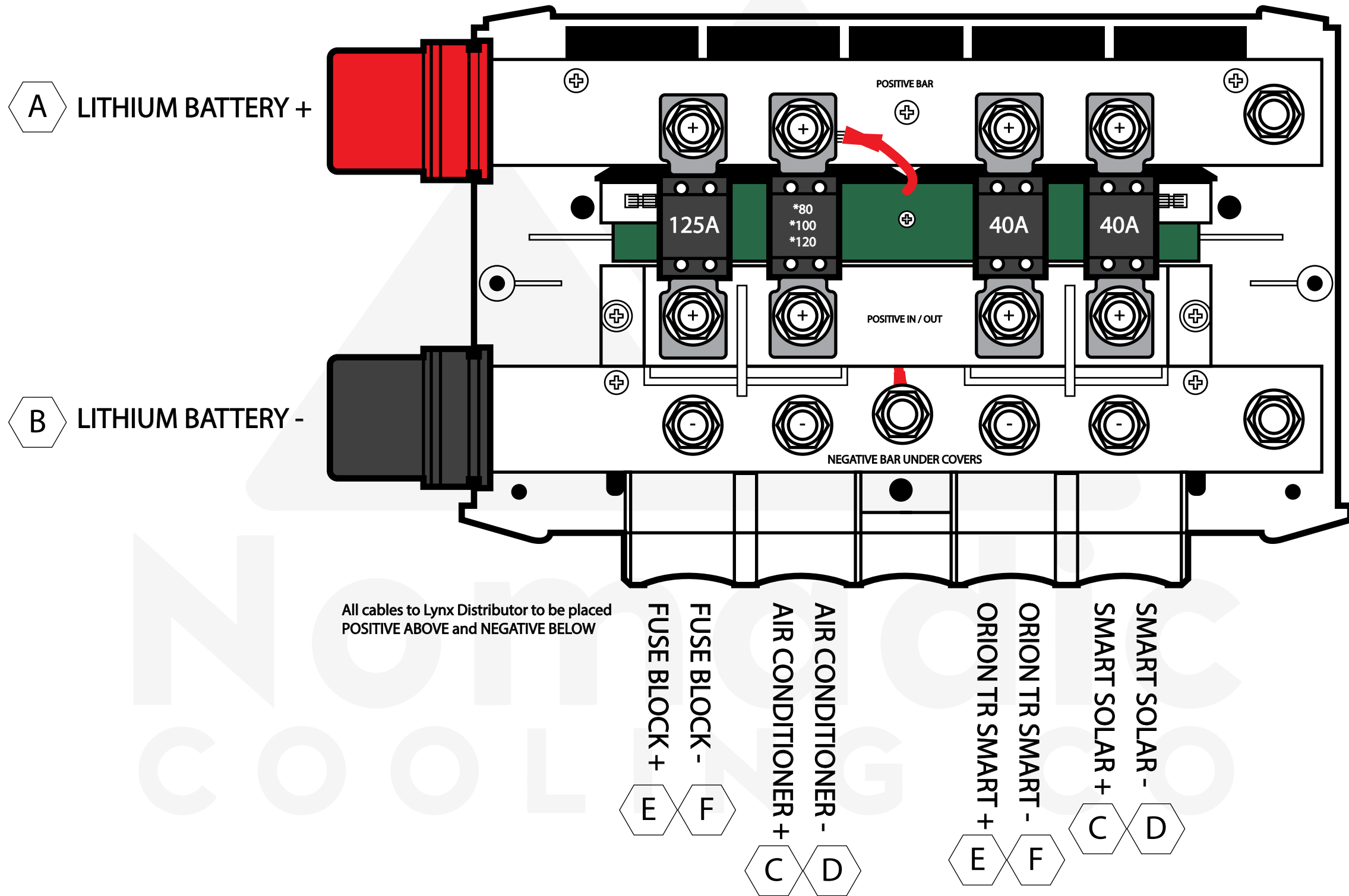
WANDERER 12V 600AH

A3.1

DRAWING: NOT TO SCALE
COPYRIGHT ©2023 NOMADIC COOLING CO

DISCLAIMER:

Install at your own risk. This diagram is to be used as a guide. Your configuration may vary. Nomadic Cooling Co does not take responsibility for any errors that may occur during installation. Please consult with a professional for install.



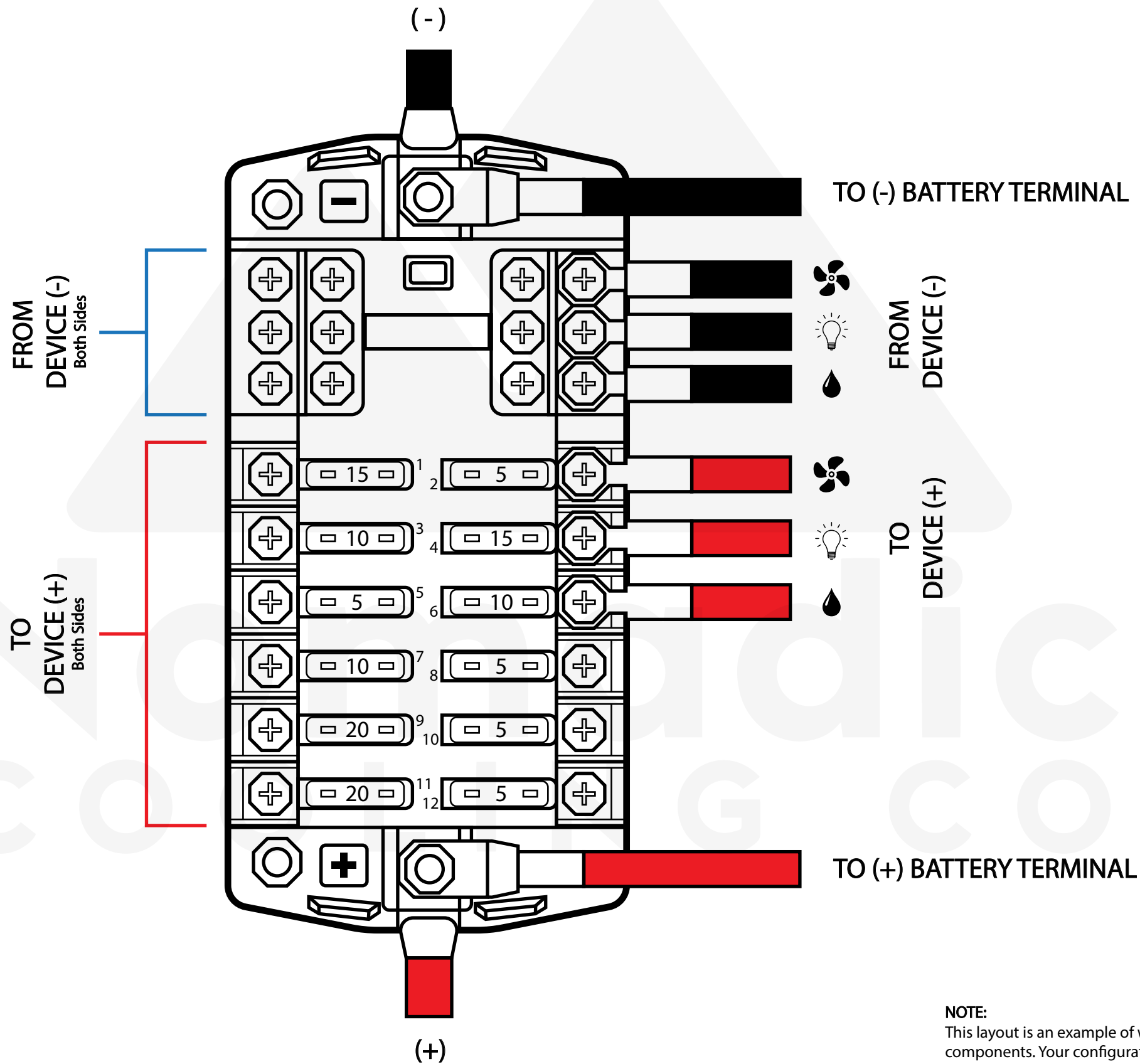
*AIR CONDITIONER FUSE SIZE 12V UNITS			
AC Model	Mount 187 Breaker	Fuse Size	Qty.
Dometic RTX 1000	80	80	1
Dometic RTX 2000	80	80	1
Indel B OFF	80	80	1
Nomadic X3	120	125	1

LYNX DISTRIBUTOR

DRAWING: NOT TO SCALE
COPYRIGHT ©2023 NOMADIC COOLING CO

DISCLAIMER:

Install at your own risk. This diagram is to be used as a guide. Your configuration may vary. Nomadic Cooling Co does not take responsibility for any errors that may occur during installation. Please consult with a professional for install.



NOTE:
This layout is an example of wiring various components. Your configuration may differ.

DRAWING: NOT TO SCALE
COPYRIGHT ©2023 NOMADIC COOLING CO

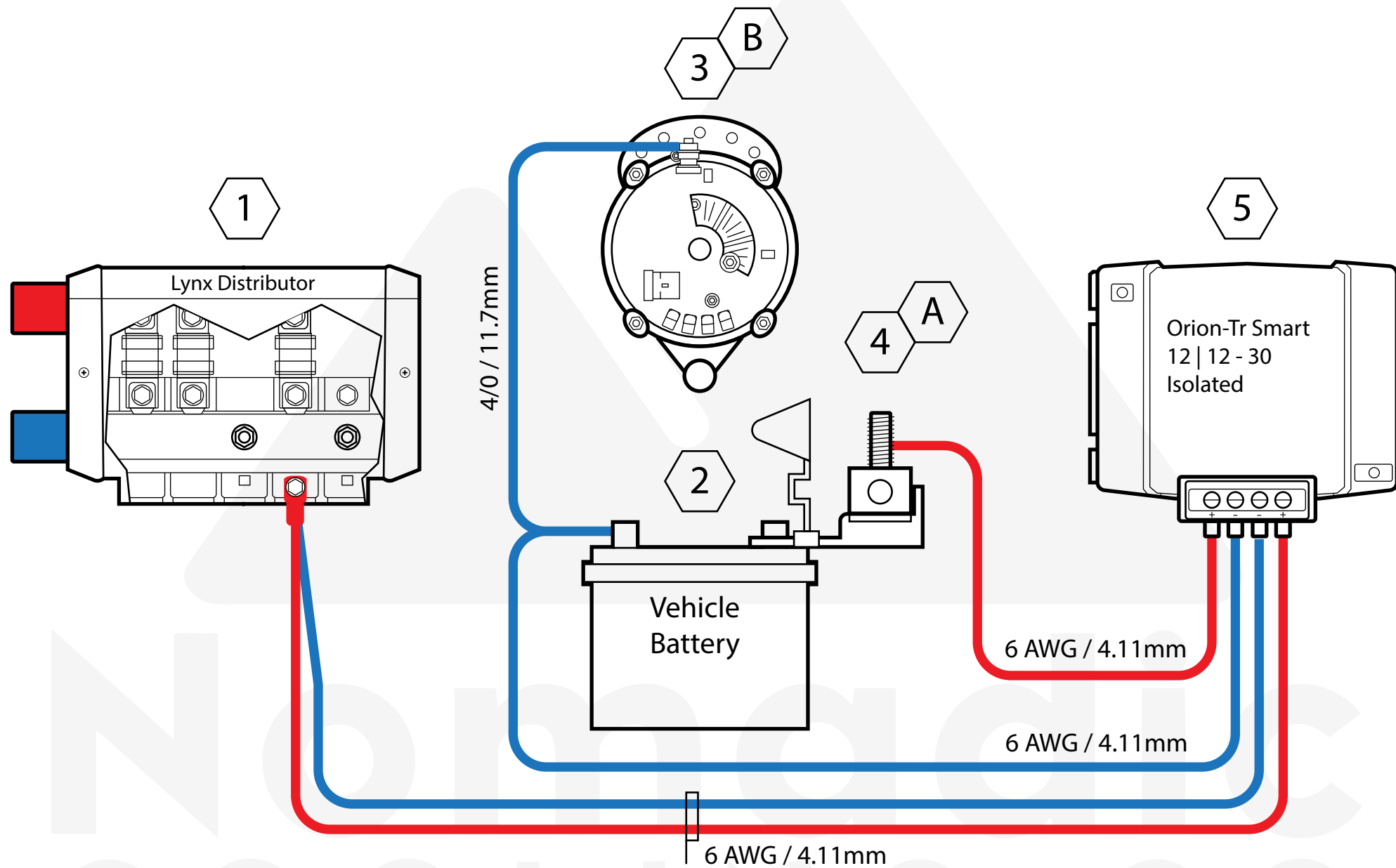
DISCLAIMER:

Install at your own risk. This diagram is to be used as a guide. Your configuration may vary. Nomadic Cooling Co does not take responsibility for any errors that may occur during installation. Please consult with a professional for install.

BLUE SEA ST BLADE

WANDERER 12V 600AH

A4.1



ORION-TR SMART ISOLATED

WANDERER 12V 600AH

A5.1

LEGEND

- POSITIVE
- NEGATIVE

NOTES X

- A. Terminal fuse block sits on positive battery terminal.
- B. 4/0 Negative cable from battery to negative post on stock alternator.

COMPONENTS

- | | | | | |
|---------------------|---|------------------------|---|---|
| 1. LYNX DISTRIBUTOR | 2. POSITIVE
TERMINAL POST
STOCK BATTERY | 3. STOCK
ALTERNATOR | 4. TERMINAL FUSE
BLOCK / MRBF
TERMINAL FUSE
250A | 5. ORION TR SMART
12 12 30
ISOLATED |
|---------------------|---|------------------------|---|---|

DRAWING: NOT TO SCALE
COPYRIGHT ©2023 NOMADIC COOLING CO

DISCLAIMER:

Install at your own risk. This diagram is to be used as a guide. Your configuration may vary. Nomadic Cooling Co does not take responsibility for any errors that may occur during installation. Please consult with a professional for install.

PARTS LIST WANDERER 600Ah			
Key	Manufacturer	Product	Qty.
1	Victron	Lithium Battery 200Ah	3
2	Victron	VE. Bus BMS	1
3	Victron	Smart Shunt	1
4	Blue Sea	ANL Fuse Block and 300A Fuse	1
5	BEP/Blue Sea	Master Switch BEP 770-EZ Pro or 9003	1
6	Victron	Lynx Distributor	1
7	-	Stock Alternator / Vehicle Battery - Customer Supplied, Not in kit	1
8	Victron	Orion TR Smart 12 12 - 30	1
9	Nomadic / Dometic	Air Conditioner 150 Amp - Customer Supplied, Not in kit	1
10	Blue Sea	ST Blade Fuse Block 120A	1
11	Blue Sea	Terminal Fuse Block 30 to 300A	4
12	Blue Sea	Terminal Fuse 250A	4

NOT ALL COMPONENTS IN KIT

*AIR CONDITIONER FUSE SIZE 12V UNITS			
AC Model	Mount 187 Breaker	Fuse Size	Qty.
Dometic RTX 1000	80	80	1
Dometic RTX 2000	80	80	1
Indel B OFF	80	80	1
Nomadic X3	120	125	1

NOT ALL COMPONENTS IN KIT

FUSE SIZES		
Component	Fuse Size	Qty.
Fuse Block	125A	1
Orion TR Smart	40A	1

NOT ALL COMPONENTS IN KIT

DRAWING: NOT TO SCALE
COPYRIGHT ©2023 NOMADIC COOLING CO

DISCLAIMER:

Install at your own risk. This diagram is to be used as a guide. Your configuration may vary. Nomadic Cooling Co does not take responsibility for any errors that may occur during installation. Please consult with a professional for install.

PARTS TABLES

WANDERER 12V 600AH

A6.1

PARTS LIST WANDERER 600Ah			
Key	Manufacturer	Product	Qty.
1	Victron	Lithium Battery 200Ah	3
2	Victron	VE. Bus BMS	1
3	Victron	Smart Shunt	1
4	Blue Sea	ANL Fuse Block and 300A Fuse	1
5	BEP/Blue Sea	Master Switch BEP 770-EZ Pro or 9003	1
6	Victron	Lynx Distributor	1
7	-	Stock Alternator / Vehicle Battery - Customer Supplied, Not in kit	1
8	Victron	Orion TR Smart 12 12 - 30	1
9	Nomadic / Dometic	Air Conditioner 150 Amp - Customer Supplied, Not in kit	1
10	Blue Sea	ST Blade Fuse Block 120A	1
11	Blue Sea	Terminal Fuse Block 30 to 300A	4
12	Blue Sea	Terminal Fuse 250A	4
13	Victron	Smart Solar MPPT 100 30	1
14	-	Solar Panel Array - Customer Supplies, Not in kit	2
15	Blue Sea	Blue Sea 187 Breaker - Size dependant on solar panels	1

NOT ALL COMPONENTS IN KIT

*AIR CONDITIONER FUSE SIZE 12V UNITS			
AC Model	Blue Sea 187 Breaker	Fuse Size	Qty.
Dometic RTX 1000	80	80	1
Dometic RTX 2000	80	80	1
Indel B OFF	80	80	1
Nomadic X3	120	125	1

NOT ALL COMPONENTS IN KIT

FUSE SIZES		
Component	Fuse Size	Qty.
Fuse Block	125A	1
Orion TR Smart	40A	1
Smart Solar MPPT	40A	1

NOT ALL COMPONENTS IN KIT

DRAWING: NOT TO SCALE
COPYRIGHT ©2023 NOMADIC COOLING CO

DISCLAIMER:

Install at your own risk. This diagram is to be used as a guide. Your configuration may vary. Nomadic Cooling Co does not take responsibility for any errors that may occur during installation. Please consult with a professional for install.

PARTS TABLES