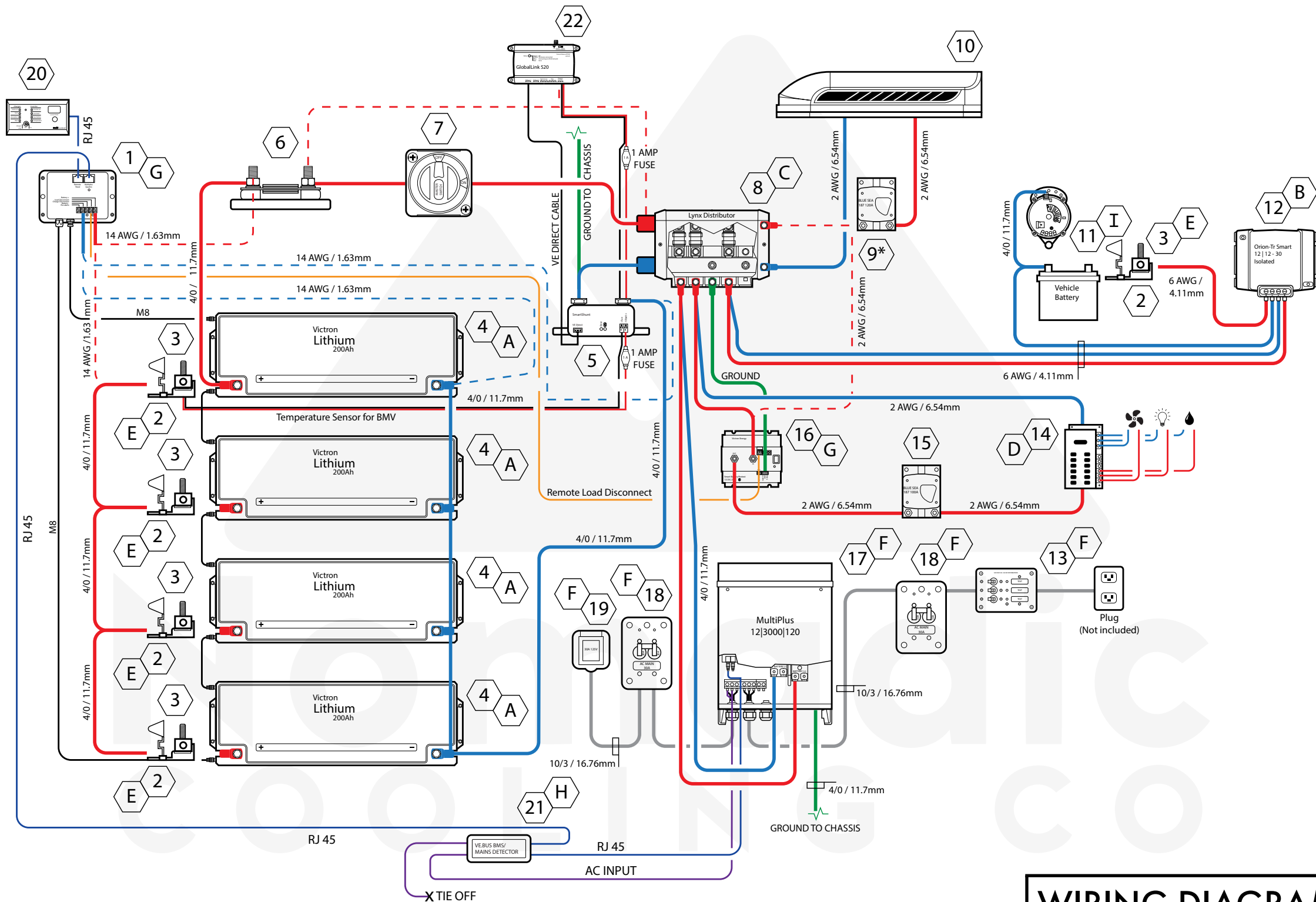


# ROAMER 800ah

## Electrical Wiring Diagram



# WIRING DIAGRAM

DRAWING: NOT TO SCALE  
COPYRIGHT ©2023 NOMADIC COOLING CO

**DISCLAIMER:**

Install at your own risk. This diagram is to be used as a guide. Your configuration may vary. Nomadic Cooling Co does not take responsibility for any errors that may occur during installation. Please consult with a professional for install.

# ROAMER 12V 800AH

# A1.1

## LEGEND

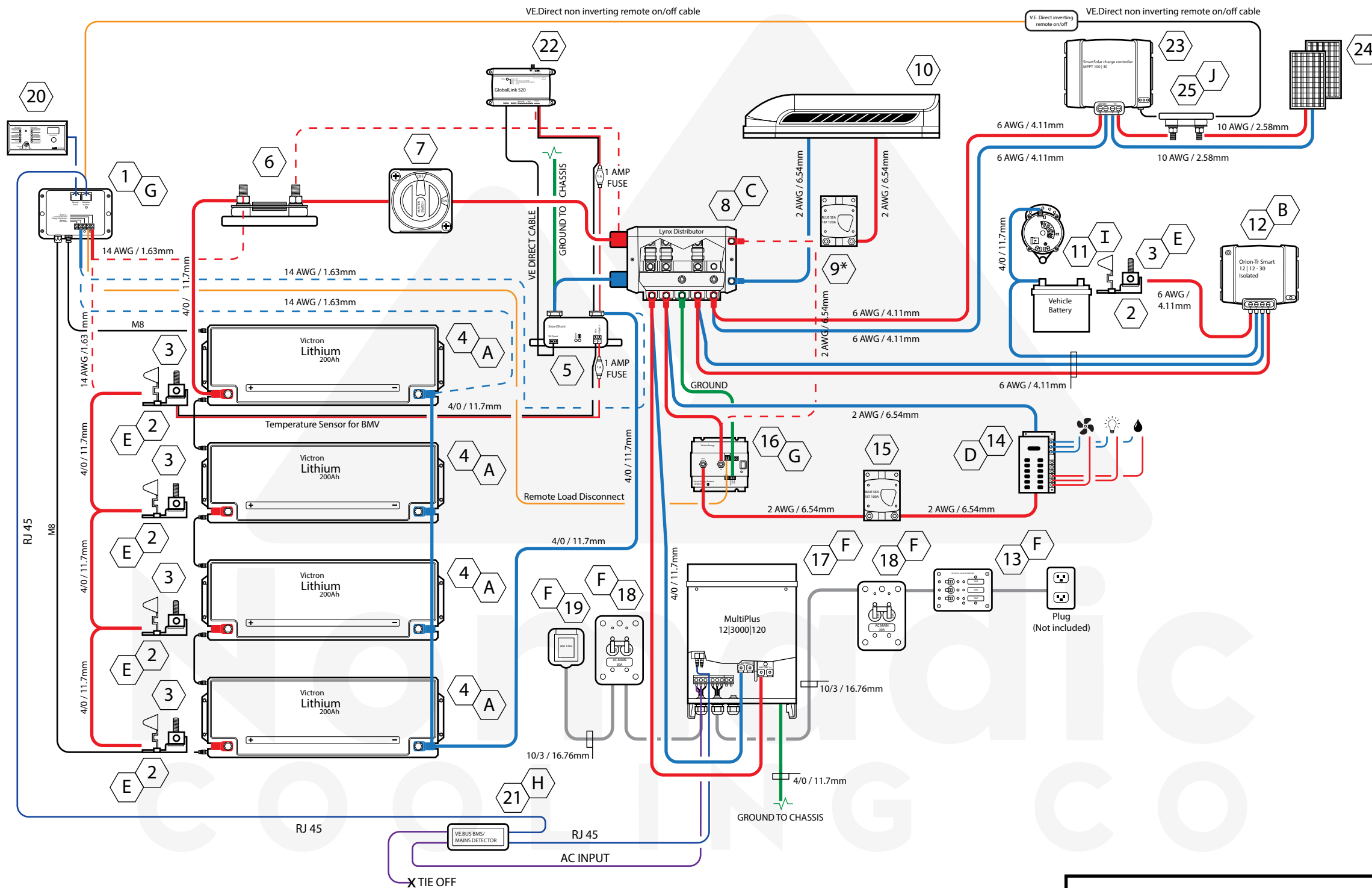
- DIRECT CABLE
- POSITIVE (+)
- NEGATIVE (-)
- GROUND
- RJ 45
- OPTIONAL PATH (+)
- OPTIONAL PATH (-)
- REMOTE LOAD DISCONNECT
- AC INPUT

## NOTES X

- A. Keep all positive and negative battery cables the same length and as short as possible.
- B. ORION TR SMART 12|12 - 30 **will become HOT.** Install in ventilated area.
- C. See sheet A3.2 for detailed diagram.
- D. See sheet A4.1 for detailed diagram.
- E. Fuse block sits on positive (+) battery terminal post.
- F. See sheet A5.1 for detailed diagram.
- G. See sheet A6.1 for detailed diagram.
- H. Second wires not needed. Tie and place to side. Wires are for 2nd AC input. Multiplus 12|3000|120 - 50 provides 1 input.
- I. See sheet A7.1 for detailed diagram.

## COMPONENTS #

- |                               |  |   |                                       |                                      |
|-------------------------------|--|---|---------------------------------------|--------------------------------------|
| 1. VE. BUS BMS                | 7. MASTER SWITCH                                   | 11. POSITIVE TERMINAL POST STOCK BATTERY / STOCK ALTERNATOR | 15. BLUE SEA 187 100A                 | 20. DIGITAL MULTICONTROL 200/200A GX |
| 2. TERMINAL FUSE BLOCK        | 8. LYNX DISTRIBUTOR                                | 12. ORION TR SMART 12   12 30 ISOLATED                      | 16. SMART BATTERY PROTECT 12/24   220 | 21. VE. BUS BMS MAINS DETECTOR       |
| 3. MRBF TERMINAL FUSE 250A    | 9. *RECOMMENDED FUSE: 80, 120, 150A (NOT INCLUDED) | 13. 3 POSITION PANEL  | 17. MULTIPLUS 12   3000   120         | 22. GLOBALINK 520                    |
| 4. LITHIUM BATTERY            | 10. NOMADIC AC 150 AMP                             | 14. ST BLADE FUSE BLOCK                                     | 18. 8077 AC MAIN                      |                                      |
| 5. SMART SHUNT                |  |   | 19. INLET 30A 125V                    |                                      |
| 6. ANL FUSE BLOCK / FUSE 300A |  |   |                                       |                                      |



# WIRING DIAGRAM

DRAWING: NOT TO SCALE  
COPYRIGHT ©2023 NOMADIC COOLING CO

**DISCLAIMER:**  
Install at your own risk. This diagram is to be used as a guide. Your configuration may vary. Nomadic Cooling Co does not take responsibility for any errors that may occur during installation. Please consult with a professional for install.

# ROAMER 12V 800AH - SOLAR

# A1.2

## LEGEND

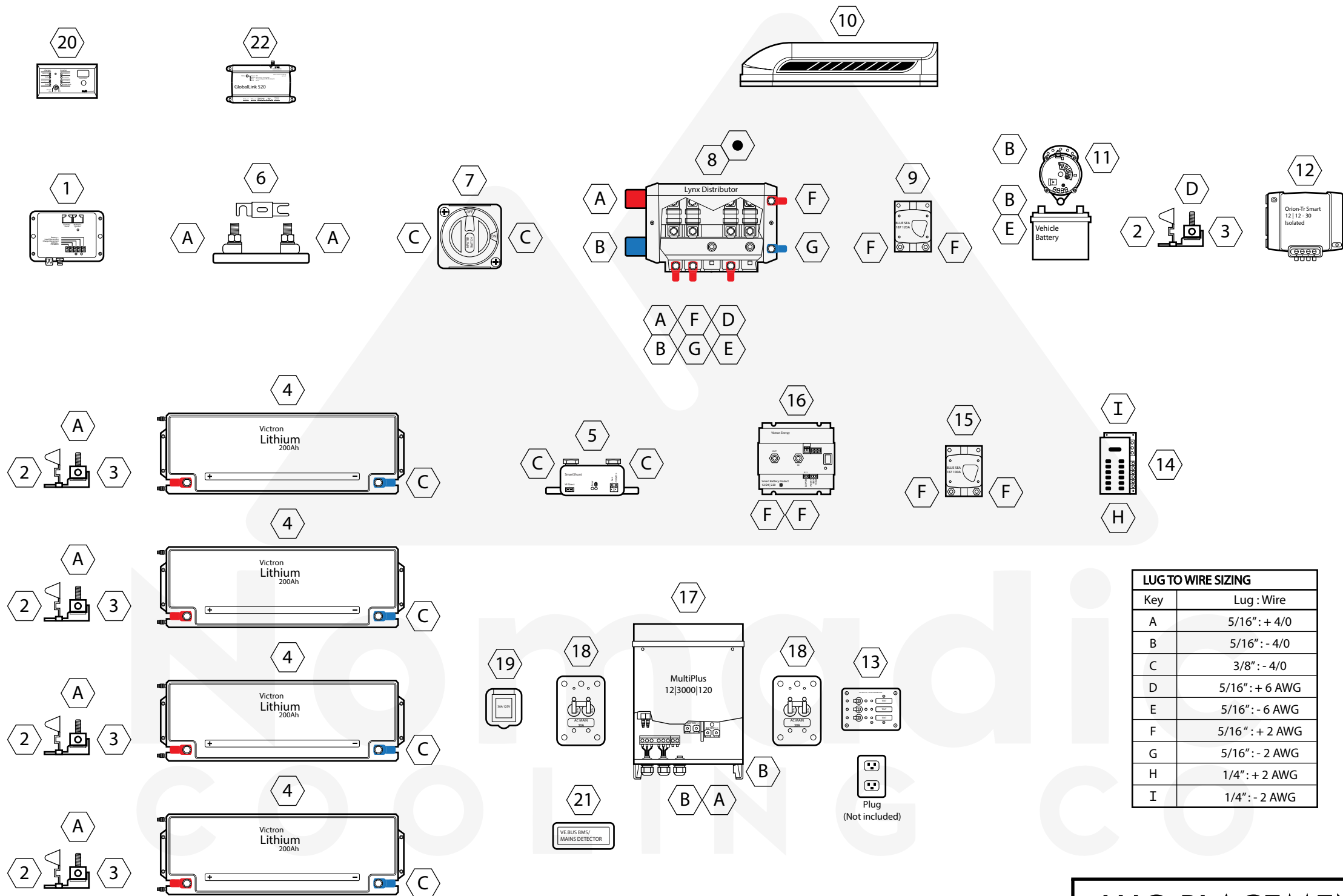
- DIRECT CABLE
- POSITIVE (+)
- NEGATIVE (-)
- GROUND
- RJ 45
- OPTIONAL PATH (+)
- OPTIONAL PATH (-)
- REMOTE LOAD DISCONNECT
- REMOTE ON/OFF
- AC INPUT

## NOTES (X)

- A. Keep all positive and negative battery cables the same length and as short as possible.
- B. ORION TR SMART 12|12 - 30 **will become HOT.** Install in ventilated area.
- C. See sheet A3.2 for detailed diagram.
- D. See sheet A4.1 for detailed diagram.
- E. Fuse block sits on positive (+) battery terminal post.
- F. See sheet A5.1 for detailed diagram.
- G. See sheet A6.1 for detailed diagram.
- H. Second wires not needed. Tie and place to side. Wires are for 2nd AC input. Multiplus 12|3000|120 - 50 provides 1 input.
- I. See sheet A7.1 for detailed diagram.
- J. Use corresponding breaker size for your solar requirements. 50A shown for 2 panels at 12.5A each.

## COMPONENTS #

- |                               |  |   |                                       |                                |
|-------------------------------|--|---|---------------------------------------|--------------------------------|
| 1. VE. BUS BMS                | 7. MASTER SWITCH                                   | 11. POSITIVE TERMINAL POST STOCK BATTERY / STOCK ALTERNATOR | 15. BLUE SEA 187 100A                 | 21. VE. BUS BMS MAINS DETECTOR |
| 2. TERMINAL FUSE BLOCK        | 8. LYNX DISTRIBUTOR                                | 12. ORION TR SMART 12   12 30 ISOLATED                      | 16. SMART BATTERY PROTECT 12/24   220 | 22. GLOBALINK 520              |
| 3. MRBF TERMINAL FUSE 250A    | 9. *RECOMMENDED FUSE: 80, 120, 150A (NOT INCLUDED) | 13. 3 POSITION PANEL  | 17. MULTIPLUS 12   3000   120         | 23. SMART SOLAR MPPT 100   30  |
| 4. LITHIUM BATTERY            | 10. NOMADIC AC 150 AMP                             | 14. ST BLADE FUSE BLOCK                                     | 18. 8077 AC MAIN                      | 24. SOLAR ARRAY                |
| 5. SMART SHUNT                |  |   | 19. INLET 30A 125V                    | 25. MODULAR FUSE HOLDER        |
| 6. ANL FUSE BLOCK / FUSE 300A |  |   | 20. DIGITAL MULTI CONTROL 200/200A GX |                                |



DRAWING: NOT TO SCALE  
COPYRIGHT ©2023 NOMADIC COOLING CO

## LUG PLACEMENT

### DISCLAIMER:

Install at your own risk. This diagram is to be used as a guide. Your configuration may vary. Nomadic Cooling Co does not take responsibility for any errors that may occur during installation. Please consult with a professional for install.

# ROAMER 12V 800AH

# A2.1

## LEGEND

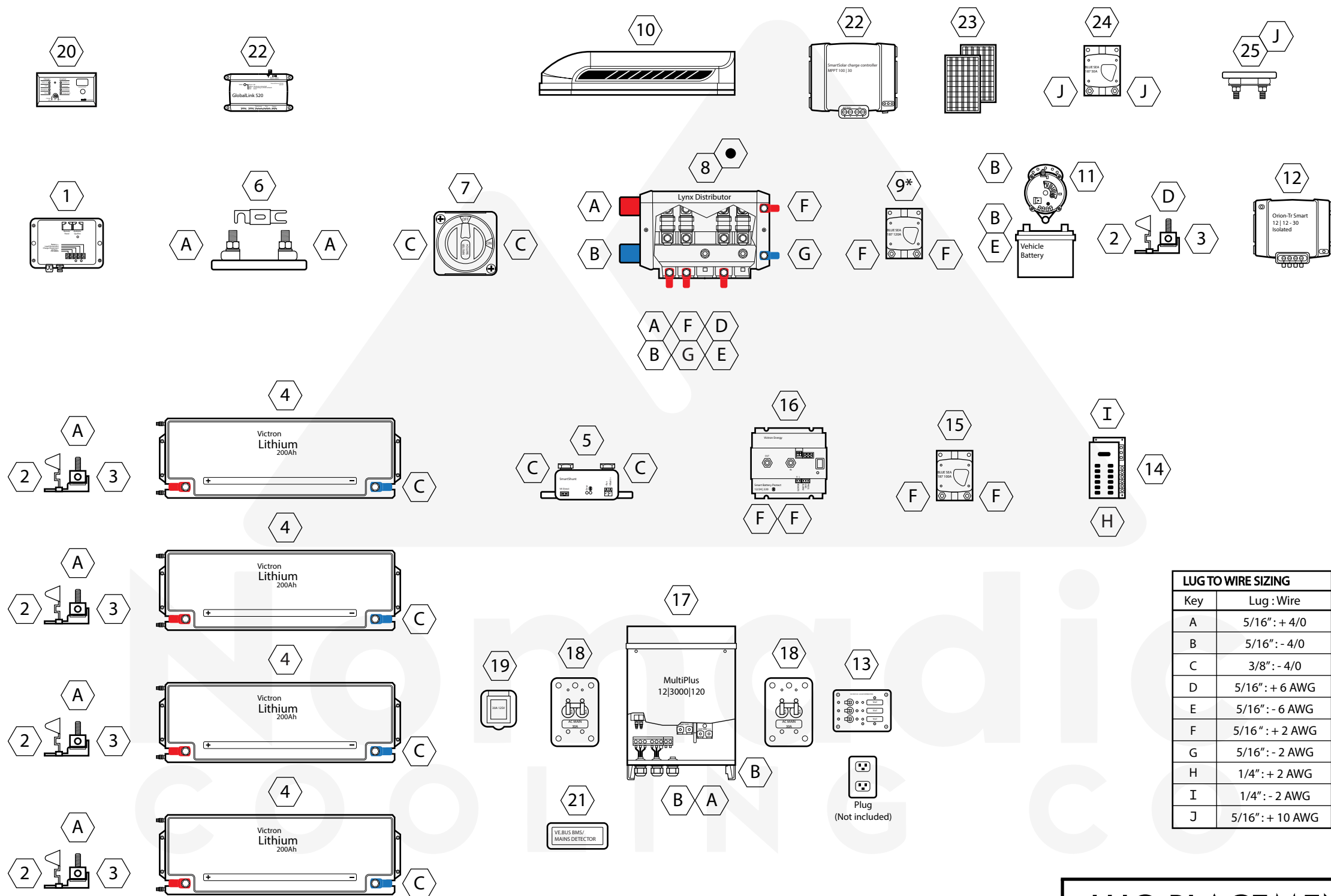
- POSITIVE (+)
- NEGATIVE (-)

## NOTES

- See sheet A3.1 for detailed diagram.

## COMPONENTS

- |                            |  |   |                                       |                                       |
|----------------------------|--|---|---------------------------------------|---------------------------------------|
| 1. VE. BUS BMS             | 6. ANL FUSE BLOCK / FUSE 300A                      | 11. POSITIVE TERMINAL POST STOCK BATTERY / STOCK ALTERNATOR | 15. BLUE SEA 187 100A                 | 20. DIGITAL MULTI CONTROL 200/200A GX |
| 2. TERMINAL FUSE BLOCK     | 7. MASTER SWITCH                                   | 12. ORION TR SMART 12   12 30 ISOLATED                      | 16. SMART BATTERY PROTECT 12/24   220 | 21. VE. BUS BMS MAINS DETECTOR        |
| 3. MRBF TERMINAL FUSE 250A | 8. LYNX DISTRIBUTOR                                | 13. 3 POSITION PANEL  | 17. MULTIPLUS 12   3000   120         | 22. GLOBALLINK 520                    |
| 4. LITHIUM BATTERY         | 9. *RECOMMENDED FUSE: 80, 120, 150A (NOT INCLUDED) | 14. ST BLADE FUSE BLOCK                                     | 18. 8077 AC MAIN                      |                                       |
| 5. SMART SHUNT             | 10. NOMADIC AC 150 AMP                             |   | 19. INLET 30A 125V                    |                                       |



LUG TO WIRE SIZING	
Key	Lug : Wire
A	5/16" : + 4/0
B	5/16" : - 4/0
C	3/8" : - 4/0
D	5/16" : + 6 AWG
E	5/16" : - 6 AWG
F	5/16" : + 2 AWG
G	5/16" : - 2 AWG
H	1/4" : + 2 AWG
I	1/4" : - 2 AWG
J	5/16" : + 10 AWG

## LUG PLACEMENT

DRAWING: NOT TO SCALE  
COPYRIGHT ©2023 NOMADIC COOLING CO

**DISCLAIMER:**  
Install at your own risk. This diagram is to be used as a guide. Your configuration may vary. Nomadic Cooling Co does not take responsibility for any errors that may occur during installation. Please consult with a professional for install.

# ROAMER 12V 800AH - SOLAR

# A2.2

## LEGEND

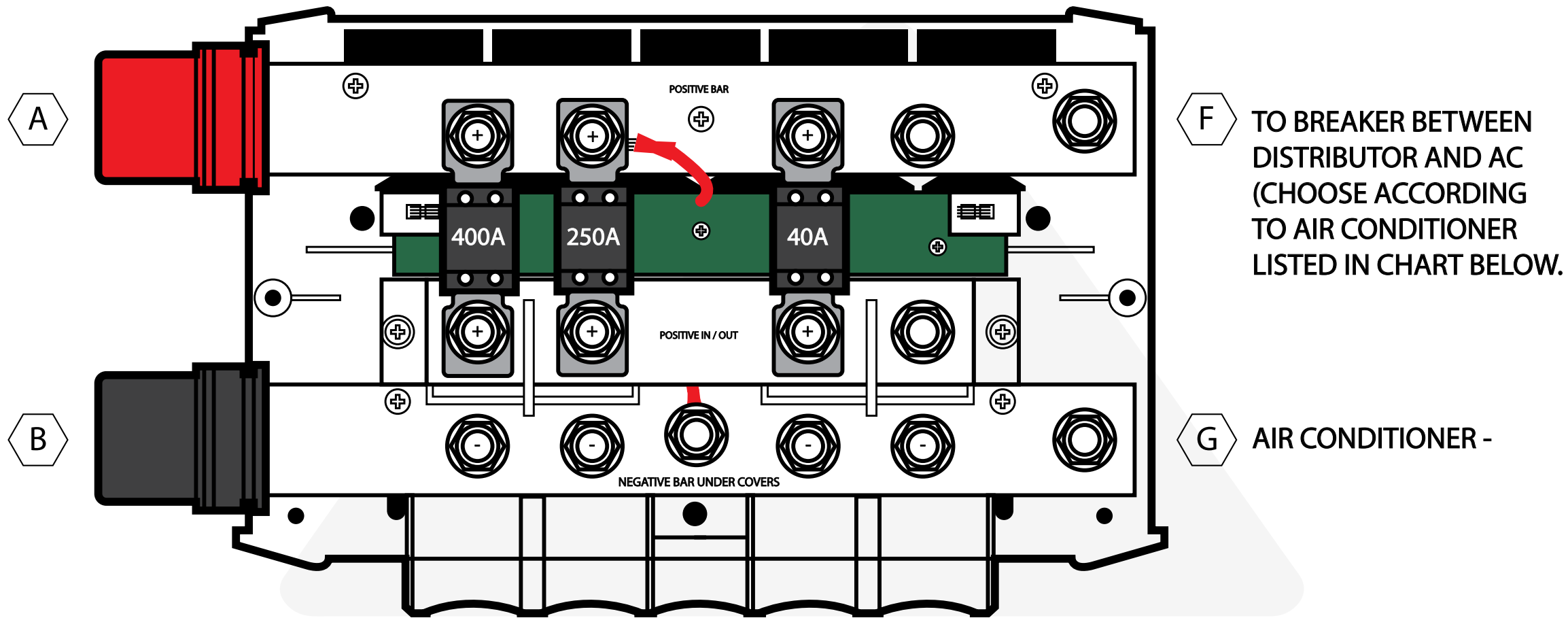
- POSITIVE (+)
- NEGATIVE (-)

## NOTES

● See sheet A3.2 for detailed diagram.

## COMPONENTS

- |                            |  |   |                                       |                                |
|----------------------------|--|---|---------------------------------------|--------------------------------|
| 1. VE. BUS BMS             | 6. ANL FUSE BLOCK / FUSE 300A                      | 11. POSITIVE TERMINAL POST STOCK BATTERY / STOCK ALTERNATOR | 15. BLUE SEA 187 100A                 | 21. VE. BUS BMS MAINS DETECTOR |
| 2. TERMINAL FUSE BLOCK     | 7. MASTER SWITCH                                   | 12. ORION TR SMART 12   12 30 ISOLATED                      | 16. SMART BATTERY PROTECT 12/24   220 | 22. GLOBALINK 520              |
| 3. MRBF TERMINAL FUSE 250A | 8. LYNX DISTRIBUTOR                                | 13. 3 POSITION PANEL  | 17. MULTIPLUS 12   3000   120         | 23. SMART SOLAR MPPT 100   30  |
| 4. LITHIUM BATTERY         | 9. *RECOMMENDED FUSE: 80, 120, 150A (NOT INCLUDED) | 14. ST BLADE FUSE BLOCK                                     | 18. 8077 AC MAIN                      | 24. SOLAR ARRAY                |
| 5. SMART SHUNT             | 10. NOMADIC AC 150 AMP                             |   | 19. INLET 30A 125V                    | 25. MODULAR FUSE HOLDER        |



**F** TO BREAKER BETWEEN DISTRIBUTOR AND AC (CHOOSE ACCORDING TO AIR CONDITIONER LISTED IN CHART BELOW.)

**G** AIR CONDITIONER -

All cables to Lynx Distributor to be placed POSITIVE ABOVE and NEGATIVE BELOW

- MULTIPLUS - **A** **B**
- MULTIPLUS + **A** **B**
- SMART BATTERY PROTECT - **F** **G**
- SMART BATTERY PROTECT + **F** **G**
- ORION TR SMART - **D** **F**
- ORION TR SMART + **D** **F**
- EMPTY
- EMPTY

*AIR CONDITIONER FUSE SIZE	
AC Model	Fuse Size
Dometic RTX 1000	80
Dometic RTX 2000	80
Indel B OFF	80
Nomadic X3	125

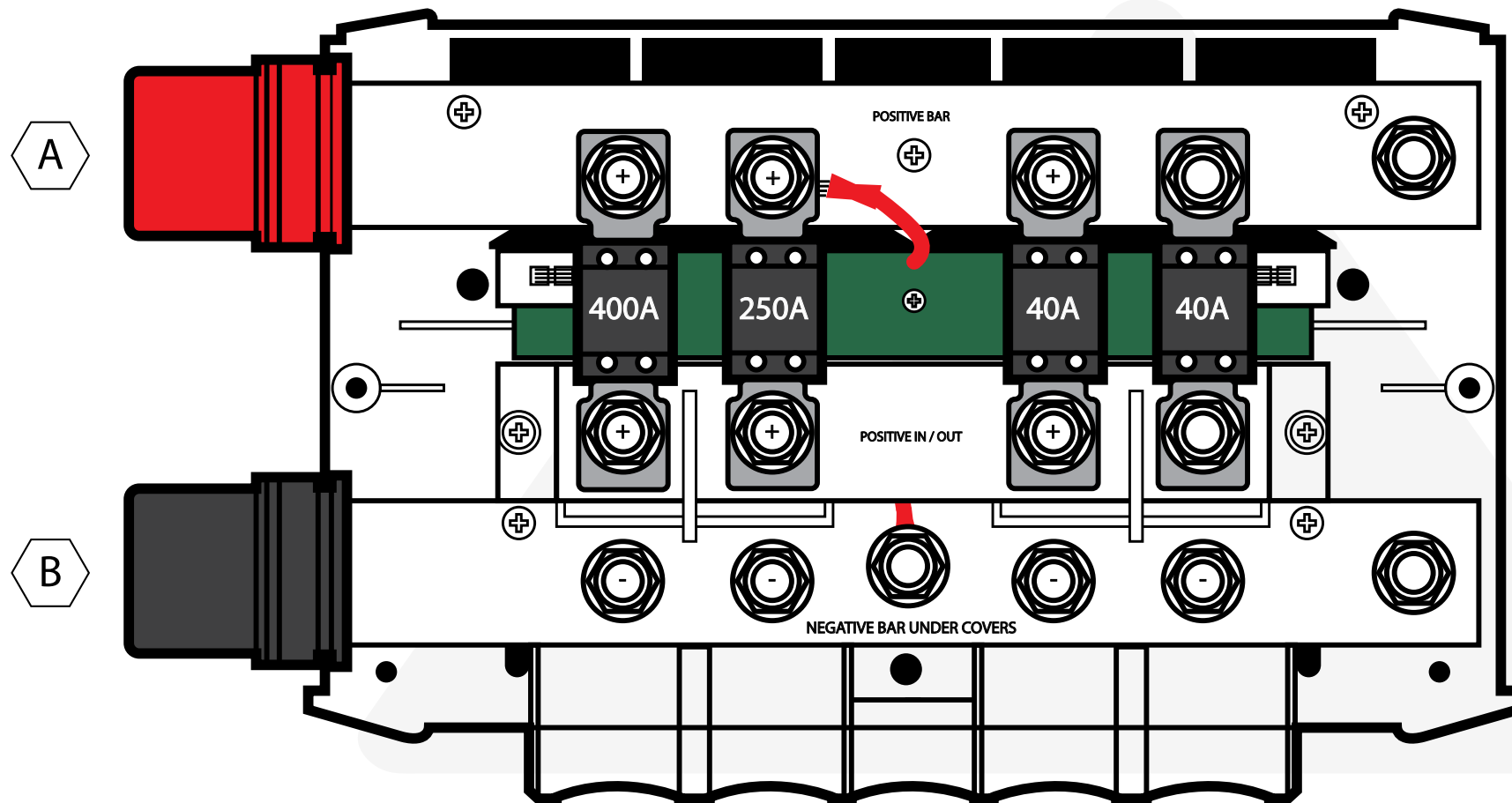
**LYNX DISTRIBUTOR**

**ROAMER 12V 800AH**

**A3.1**

DRAWING: NOT TO SCALE  
COPYRIGHT ©2023 NOMADIC COOLING CO

DISCLAIMER:  
Install at your own risk. This diagram is to be used as a guide. Your configuration may vary. Nomadic Cooling Co does not take responsibility for any errors that may occur during installation. Please consult with a professional for install.



**F** TO BREAKER BETWEEN DISTRIBUTOR AND AIR CONDITIONER (CHOOSE ACCORDING TO AIR CONDITIONER LIST IN CHART BELOW).

**G** AIR CONDITIONER -

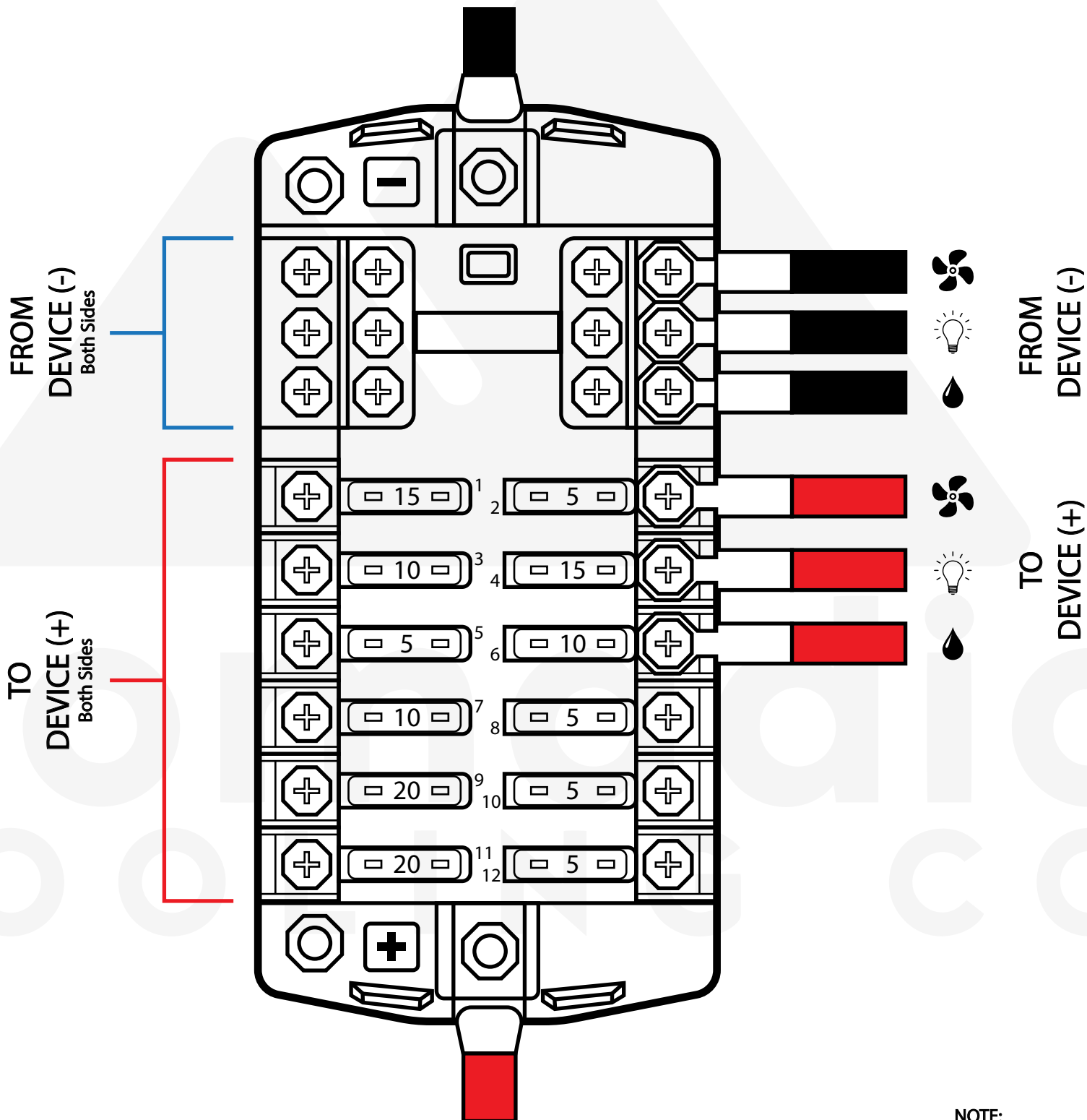
All cables to Lynx Distributor to be placed POSITIVE ABOVE and NEGATIVE BELOW

- MULTIPLUS - **B**
- MULTIPLUS + **A**
- SMART BATTERY PROTECT - **G**
- SMART BATTERY PROTECT + **F**
- SMART SOLAR + **E**
- SMART SOLAR - **D**
- ORION TR SMART - **E**
- ORION TR SMART + **D**

*AIR CONDITIONER FUSE SIZE	
AC Model	Fuse Size
Dometic RTX 1000	80
Dometic RTX 2000	80
Indel B OFF	80
Nomadic X3	125

**LYNX DISTRIBUTOR**

TO (-) LYNX DISTRIBUTOR



TO SMART BATTERY PROTECT "OUT"

**NOTE:**  
This layout is an example of wiring various components. Your configuration may differ.

DRAWING: NOT TO SCALE  
COPYRIGHT ©2023 NOMADIC COOLING CO

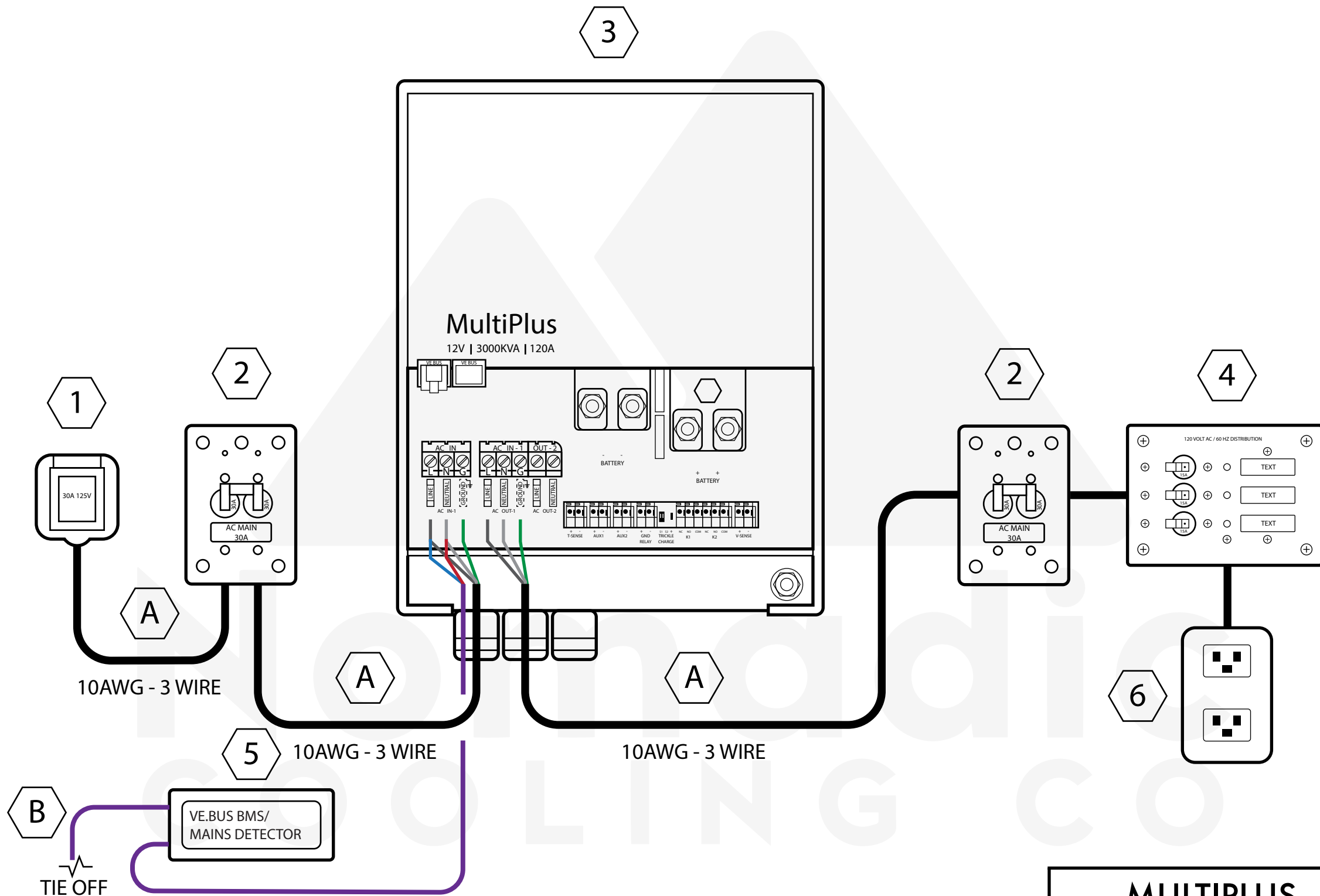
**DISCLAIMER:**  
Install at your own risk. This diagram is to be used as a guide. Your configuration may vary. Nomadic Cooling Co does not take responsibility for any errors that may occur during installation. Please consult with a professional for install.

**BLUE SEA ST BLADE**

**ROAMER 12V 800AH**

**A4.1**





# ROAMER 12V 800AH

# A5.1

## LEGEND

- 10 AWG 3 WIRE
- LINE
- NEUTRAL
- GROUND
- AC INPUT

## NOTES X

- A. Use 10AWG 3-wire braided wire.  
**Not Romex wire.** Use Marine Grade wire.
- B. Second wires not needed. Tie and place to side. Wires are for 2nd AC input. Multiplus 12|3000|120 - 50 provides 1 input.

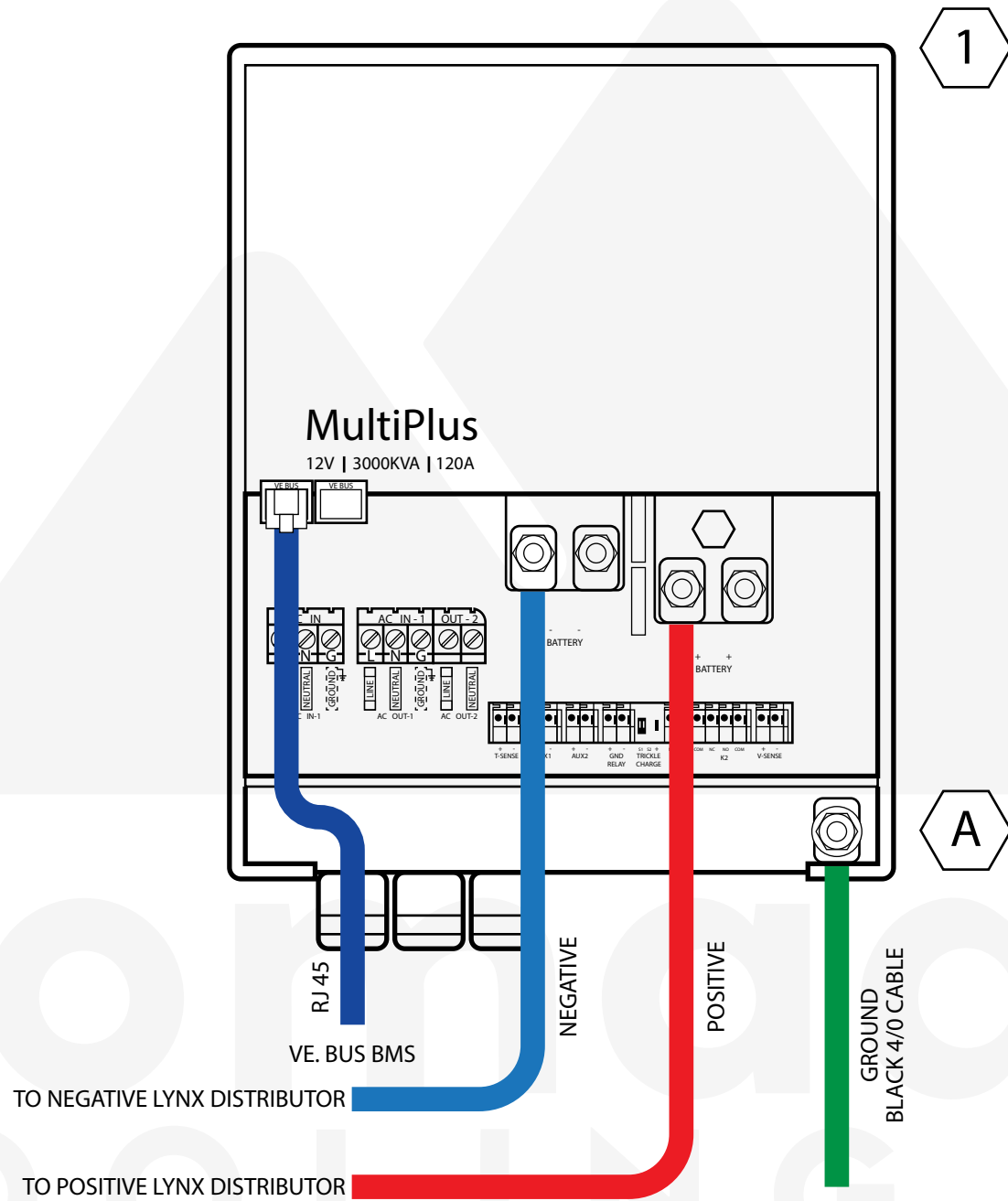
## COMPONENTS #

- |                              |  |
|------------------------------|--|
| 1. INLET 30A 125V            | 5. VE. BUS BMS MAINS DETECTOR          |
| 2. 8077 AC MAIN              | 6. STANDARD PLUG (NOT INCLUDED IN KIT) |
| 3. MULTIPLUS 12   3000   120 |  |
| 4. 120V DISTRIBUTION SWITCH  |  |

DRAWING: NOT TO SCALE  
COPYRIGHT ©2023 NOMADIC COOLING CO

### DISCLAIMER:

Install at your own risk. This diagram is to be used as a guide. Your configuration may vary. Nomadic Cooling Co does not take responsibility for any errors that may occur during installation. Please consult with a professional for install.



**MULTIPLUS**

**ROAMER 12V 800AH**

**A5.2**

**LEGEND**

- POSITIVE
- NEGATIVE
- VE BUS
- GROUND

**NOTES** X

A. Ground point is in back on bottom of Multiplus.

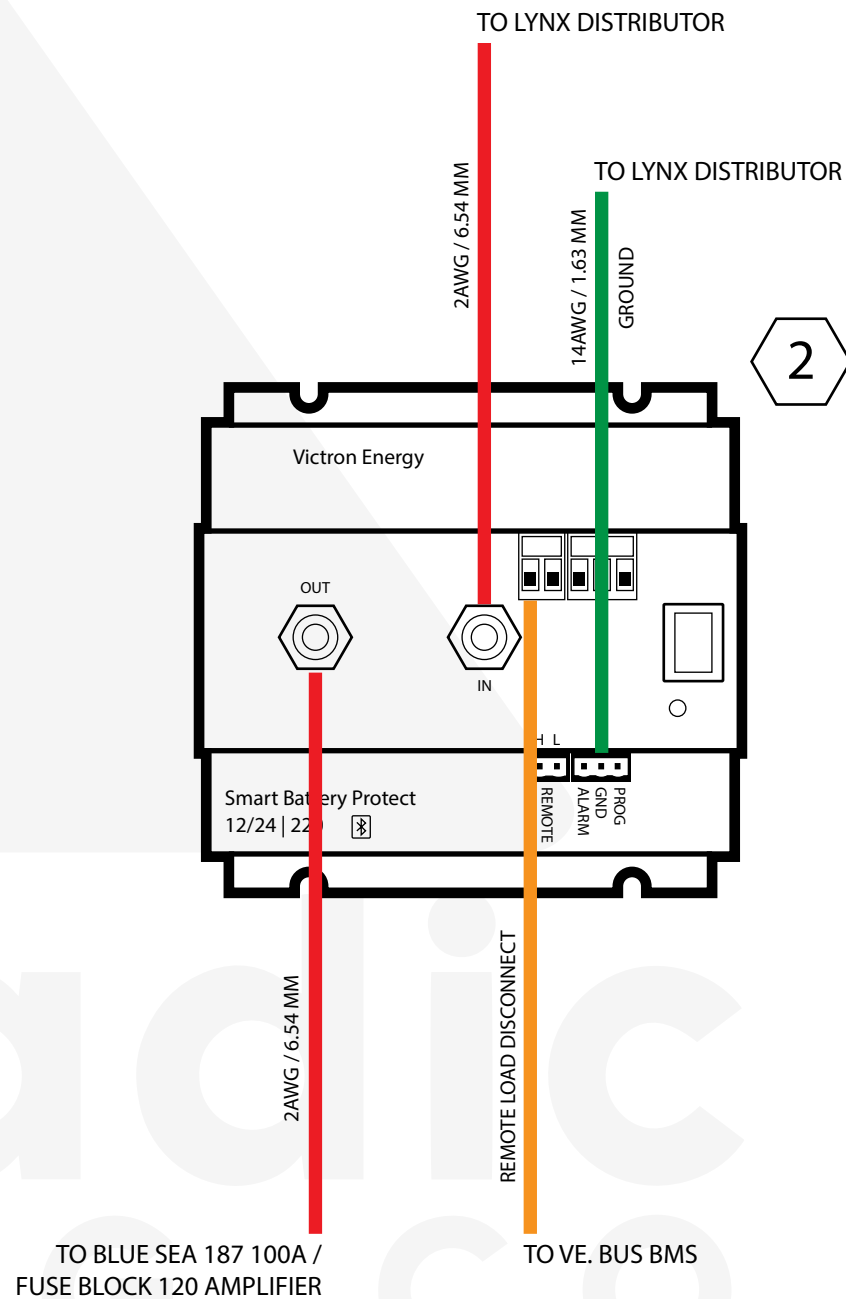
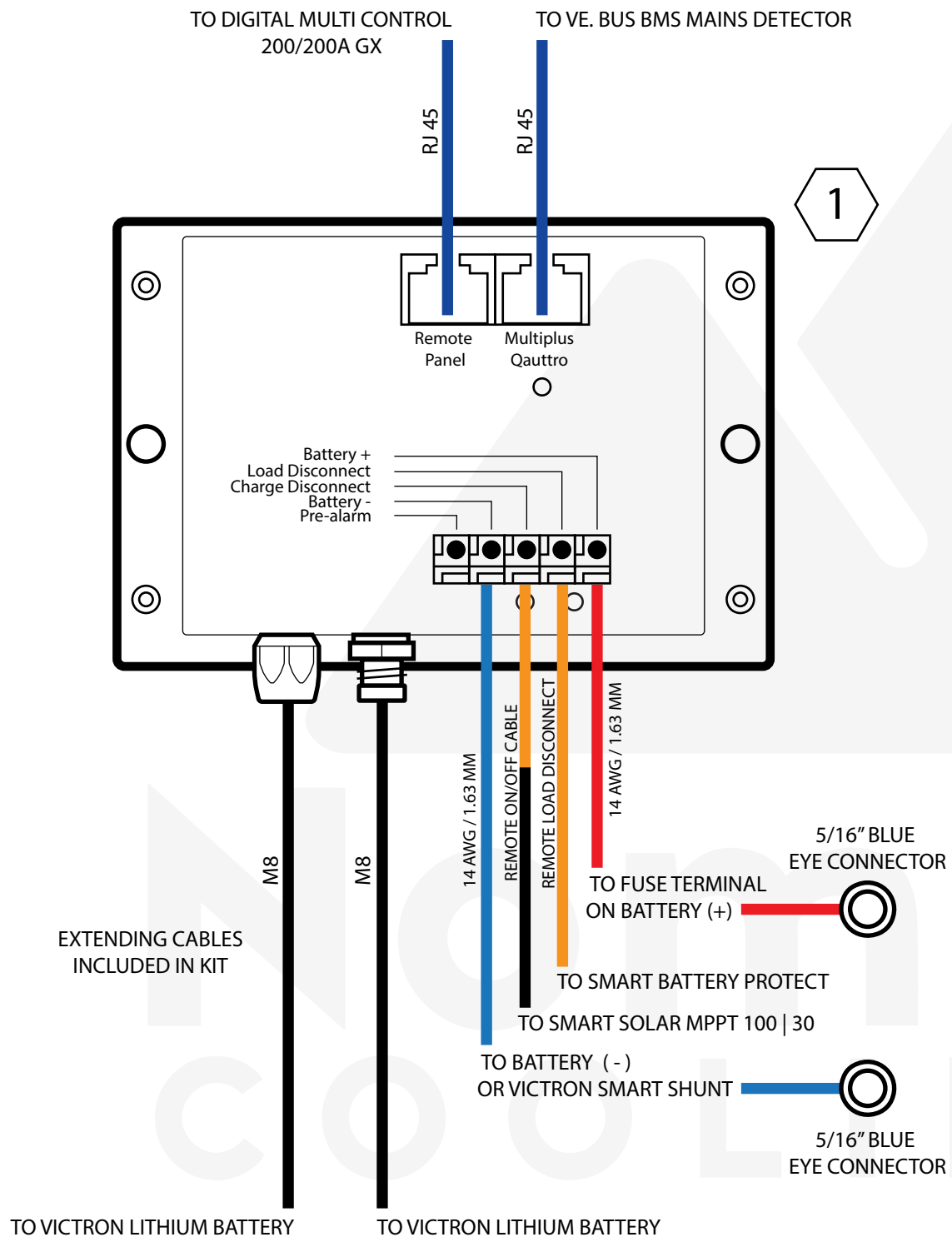
**COMPONENTS** #

1. MULTIPLUS  
12 | 3000 | 120

DRAWING: NOT TO SCALE  
COPYRIGHT ©2023 NOMADIC COOLING CO

**DISCLAIMER:**

Install at your own risk. This diagram is to be used as a guide. Your configuration may vary. Nomadic Cooling Co does not take responsibility for any errors that may occur during installation. Please consult with a professional for install.



**SMART BATTERY PROTECT /  
VE. BUS BMS**

# ROAMER 12V 800AH

# A6.1

## LEGEND

- POSITIVE
- NEGATIVE
- RJ 45
- REMOTE LOAD DISCONNECT
- REMOTE ON/OFF
- GROUND

## NOTES X

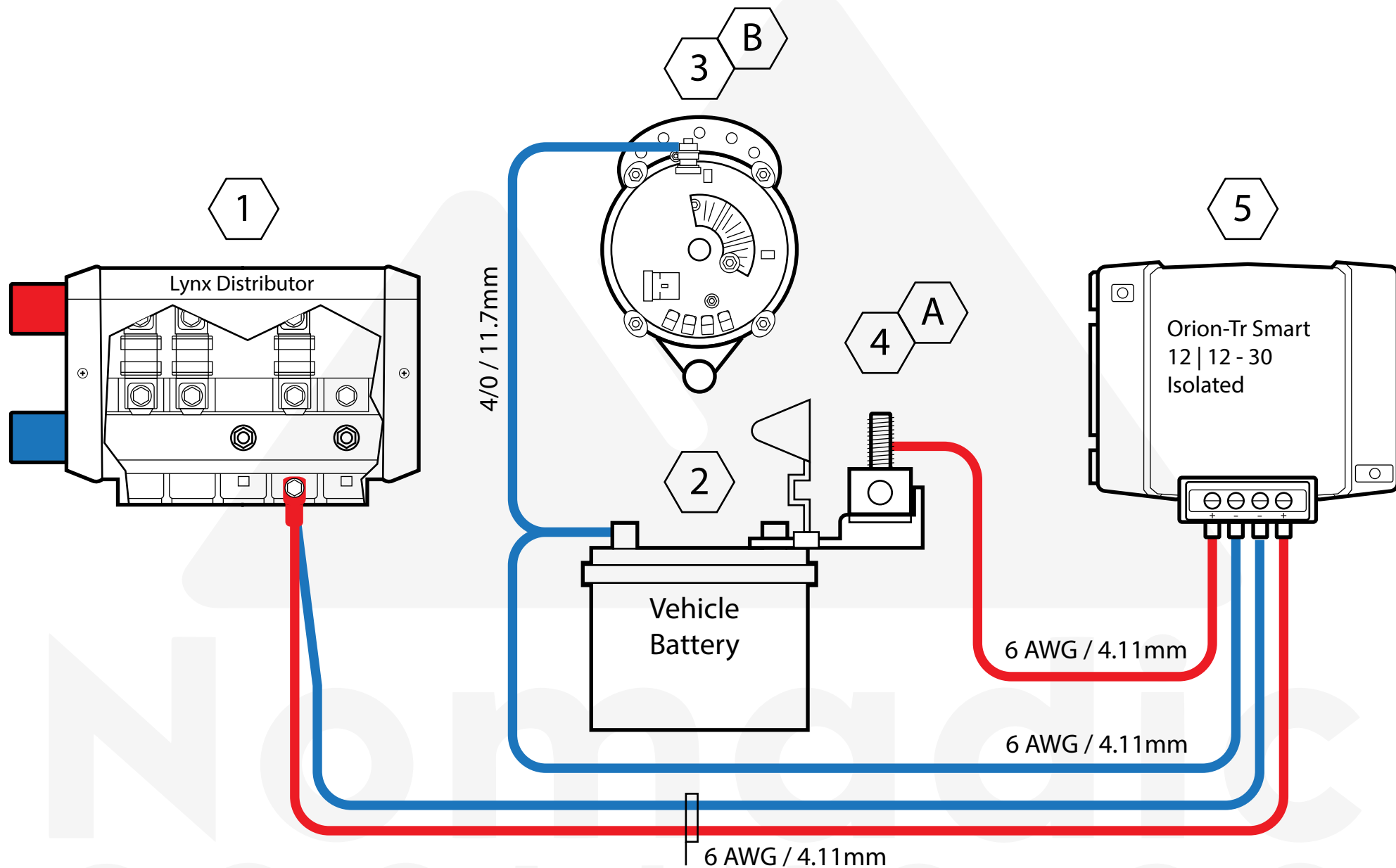
## COMPONENTS #

1. VE. BUS BMS
2. SMART BATTERY PROTECT 12/24 | 220

DRAWING: NOT TO SCALE  
COPYRIGHT ©2023 NOMADIC COOLING CO

### DISCLAIMER:

Install at your own risk. This diagram is to be used as a guide. Your configuration may vary. Nomadic Cooling Co does not take responsibility for any errors that may occur during installation. Please consult with a professional for install.



ORION-TR SMART ISOLATED

# ROAMER 12V 800AH

# A7.1

## LEGEND

- POSITIVE
- NEGATIVE

## NOTES X

- A. Terminal fuse block sits on positive battery terminal.
- B. 4/0 Negative cable from battery to negative post on stock alternator.

## COMPONENTS #

1. LYNX DISTRIBUTOR
2. POSITIVE TERMINAL POST STOCK BATTERY
3. STOCK ALTERNATOR
4. TERMINAL FUSE BLOCK / MRBF TERMINAL FUSE 250A
5. ORION TR SMART 12 | 12 30 ISOLATED

DRAWING: NOT TO SCALE  
COPYRIGHT ©2023 NOMADIC COOLING CO

### DISCLAIMER:

Install at your own risk. This diagram is to be used as a guide. Your configuration may vary. Nomadic Cooling Co does not take responsibility for any errors that may occur during installation. Please consult with a professional for install.