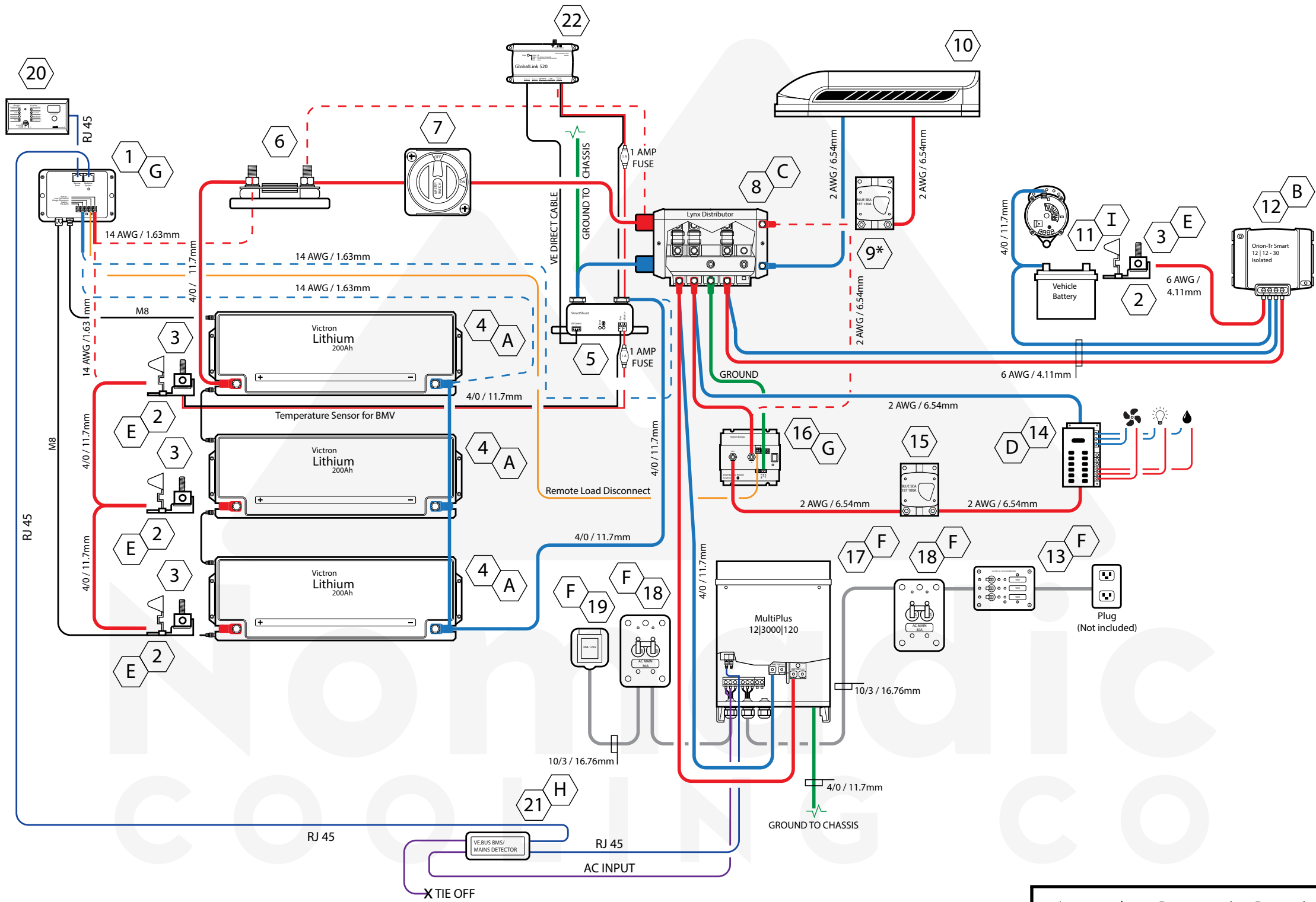


ROAMER 600ah

Electrical Wiring Diagram



WIRING DIAGRAM

DRAWING: NOT TO SCALE
COPYRIGHT ©2023 NOMADIC COOLING CO

DISCLAIMER:
Install at your own risk. This diagram is to be used as a guide. Your configuration may vary. Nomadic Cooling Co does not take responsibility for any errors that may occur during installation. Please consult with a professional for install.

ROAMER 12V 600AH

A1.1

LEGEND

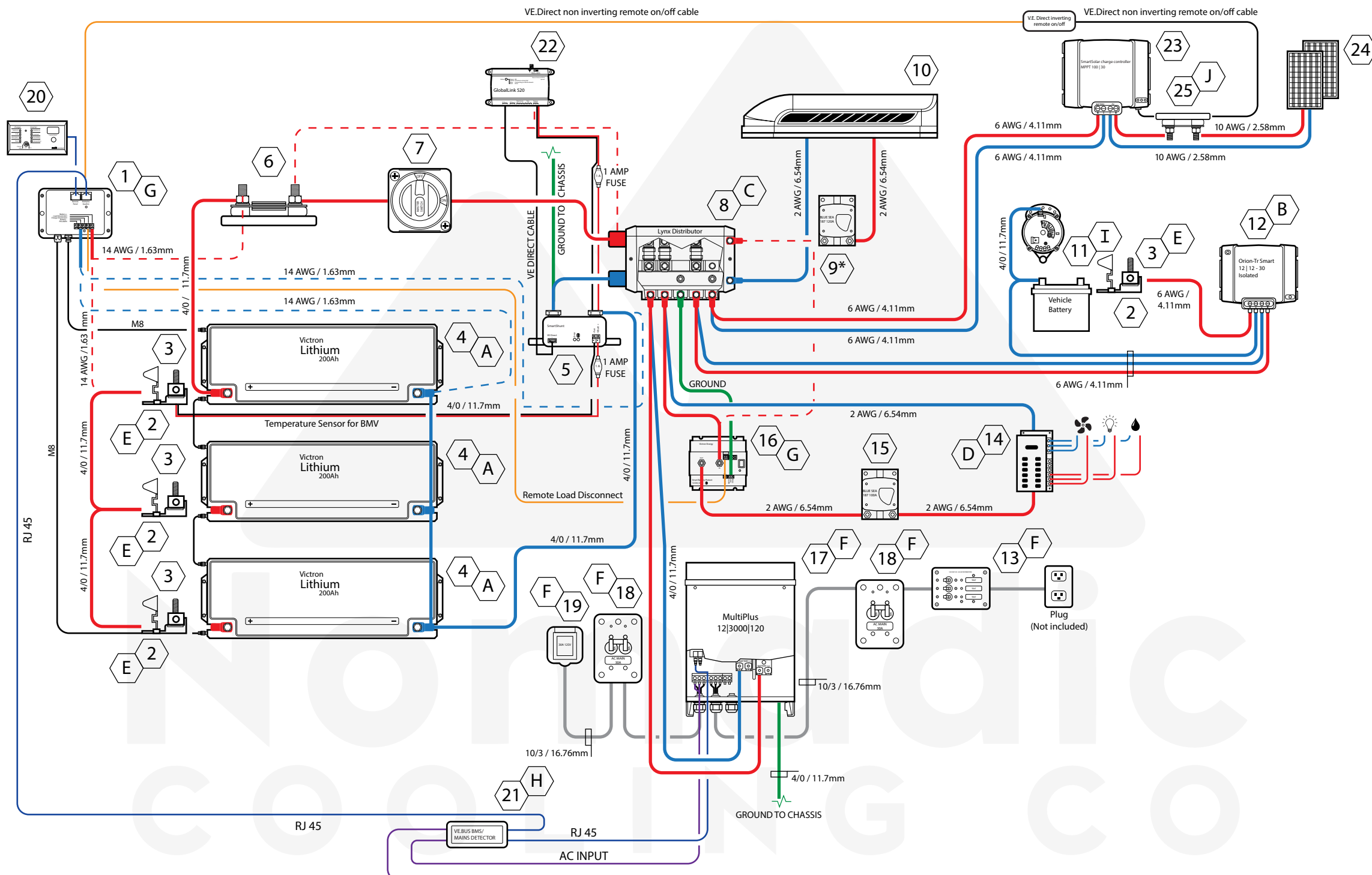
- DIRECT CABLE
- POSITIVE (+)
- NEGATIVE (-)
- GROUND
- RJ 45
- OPTIONAL PATH (+)
- OPTIONAL PATH (-)
- REMOTE LOAD DISCONNECT
- AC INPUT

NOTES (X)

- A. Keep all positive and negative battery cables the same length and as short as possible.
- B. ORION TR SMART 12|12 - 30 **will become HOT.** Install in ventilated area.
- C. See sheet A3.2 for detailed diagram.
- D. See sheet A4.1 for detailed diagram.
- E. Fuse block sits on positive (+) battery terminal post.
- F. See sheet A5.1 for detailed diagram.
- G. See sheet A6.1 for detailed diagram.
- H. Second wires not needed. Tie and place to side. Wires are for 2nd AC input. Multiplus 12|3000|120 - 50 provides 1 input.
- I. See sheet A7.1 for detailed diagram.

COMPONENTS

- | | | | | |
|-------------------------------|--|---|---------------------------------------|---------------------------------------|
| 1. VE. BUS BMS | 7. MASTER SWITCH | 11. POSITIVE TERMINAL POST STOCK BATTERY / STOCK ALTERNATOR | 15. BLUE SEA 187 100A | 20. DIGITAL MULTI CONTROL 200/200A GX |
| 2. TERMINAL FUSE BLOCK | 8. LYNX DISTRIBUTOR | 12. ORION TR SMART 12 12 30 ISOLATED | 16. SMART BATTERY PROTECT 12/24 220 | 21. VE. BUS BMS MAINS DETECTOR |
| 3. MRBF TERMINAL FUSE 250A | 9. *RECOMMENDED FUSE: 80, 120, 150A (NOT INCLUDED) | 13. 3 POSITION PANEL | 17. MULTIPLUS 12 3000 120 | 22. GLOBALINK 520 |
| 4. LITHIUM BATTERY | 10. NOMADIC AC 150 AMP | 14. ST BLADE FUSE BLOCK | 18. 8077 AC MAIN | |
| 5. SMART SHUNT | | | 19. INLET 30A 125V | |
| 6. ANL FUSE BLOCK / FUSE 300A | | | | |



WIRING DIAGRAM

DRAWING: NOT TO SCALE
COPYRIGHT ©2023 NOMADIC COOLING CO

DISCLAIMER:
Install at your own risk. This diagram is to be used as a guide. Your configuration may vary. Nomadic Cooling Co does not take responsibility for any errors that may occur during installation. Please consult with a professional for install.

ROAMER 12V 600AH - SOLAR

A1.2

LEGEND

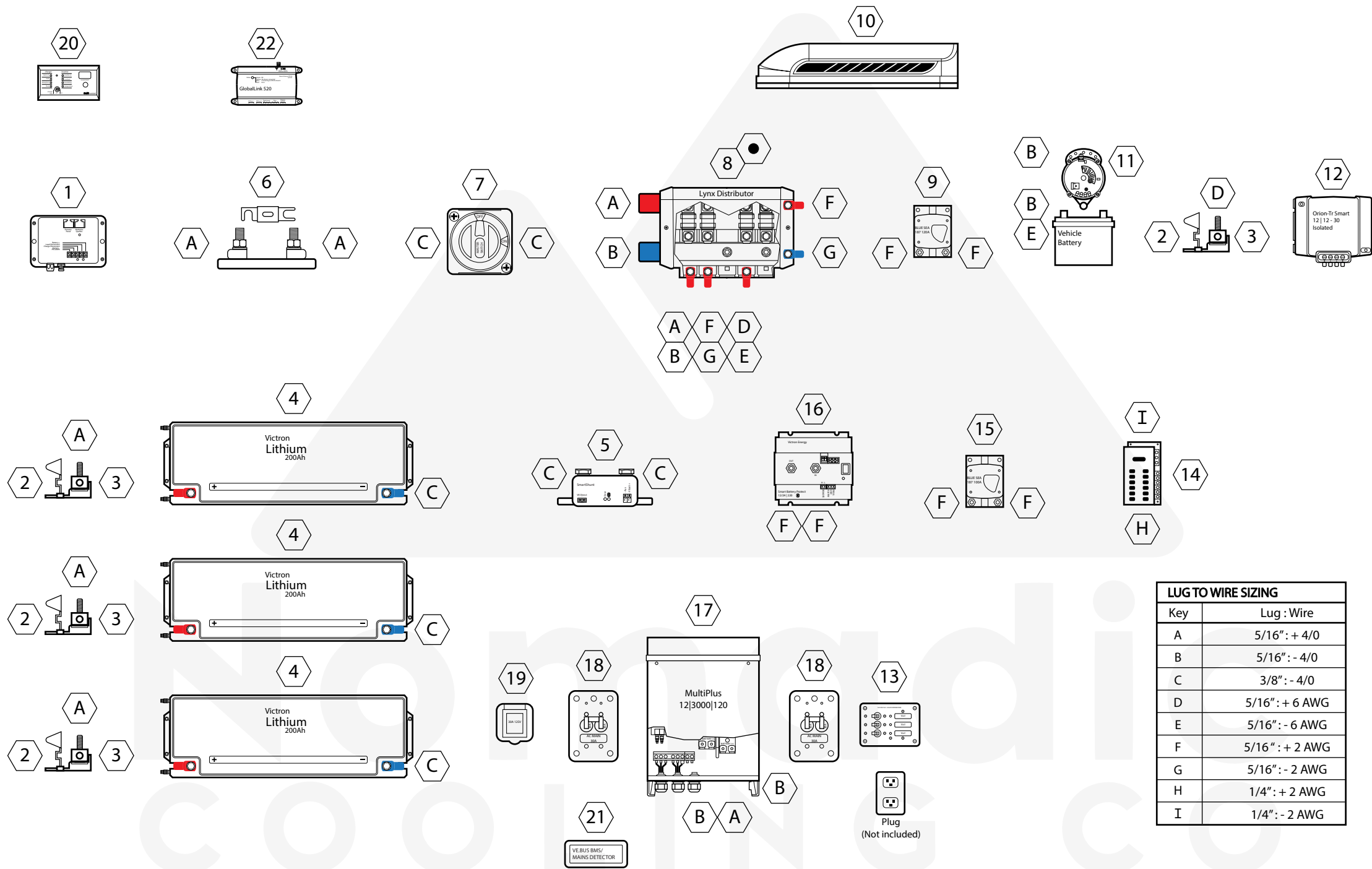
- DIRECT CABLE
- POSITIVE (+)
- NEGATIVE (-)
- GROUND
- RJ 45
- OPTIONAL PATH (+)
- OPTIONAL PATH (-)
- REMOTE LOAD DISCONNECT
- REMOTE ON/OFF
- AC INPUT

NOTES (X)

- A. Keep all positive and negative battery cables the same length and as short as possible.
- B. ORION TR SMART 12|12 - 30 **will become HOT.** Install in ventilated area.
- C. See sheet A3.2 for detailed diagram.
- D. See sheet A4.1 for detailed diagram.
- E. Fuse block sits on positive (+) battery terminal post.
- F. See sheet A5.1 for detailed diagram.
- G. See sheet A6.1 for detailed diagram.
- H. Second wires not needed. Tie and place to side. Wires are for 2nd AC input. Multiplus 12|3000|120 - 50 provides 1 input.
- I. See sheet A7.1 for detailed diagram.
- J. Use corresponding breaker size for your solar requirements. 50A shown for 2 panels at 12.5A each.

COMPONENTS

- | | | | | |
|-------------------------------|--|---|---------------------------------------|--------------------------------|
| 1. VE. BUS BMS | 7. MASTER SWITCH | 11. POSITIVE TERMINAL POST STOCK BATTERY / STOCK ALTERNATOR | 15. BLUE SEA 187 100A | 21. VE. BUS BMS MAINS DETECTOR |
| 2. TERMINAL FUSE BLOCK | 8. LYNX DISTRIBUTOR | 12. ORION TR SMART 12 30 ISOLATED | 16. SMART BATTERY PROTECT 12/24 220 | 22. GLOBALINK 520 |
| 3. MRBF TERMINAL FUSE 250A | 9. *RECOMMENDED FUSE: 80, 120, 150A (NOT INCLUDED) | 13. 3 POSITION PANEL | 17. MULTIPLUS 12 3000 120 | 23. SMART SOLAR MPPT 100 30 |
| 4. LITHIUM BATTERY | 10. NOMADIC AC 150 AMP | 14. ST BLADE FUSE BLOCK | 18. 8077 AC MAIN | 24. SOLAR ARRAY |
| 5. SMART SHUNT | | | 19. INLET 30A 125V | 25. MODULAR FUSE HOLDER |
| 6. ANL FUSE BLOCK / FUSE 300A | | | 20. DIGITAL MULTI CONTROL 200/200A GX | |



LUG TO WIRE SIZING	
Key	Lug : Wire
A	5/16" : + 4/0
B	5/16" : - 4/0
C	3/8" : - 4/0
D	5/16" : + 6 AWG
E	5/16" : - 6 AWG
F	5/16" : - 2 AWG
G	5/16" : - 2 AWG
H	1/4" : + 2 AWG
I	1/4" : - 2 AWG

DRAWING: NOT TO SCALE
COPYRIGHT ©2023 NOMADIC COOLING CO

LUG PLACEMENT

DISCLAIMER:

Install at your own risk. This diagram is to be used as a guide. Your configuration may vary. Nomadic Cooling Co does not take responsibility for any errors that may occur during installation. Please consult with a professional for install.

ROAMER 12V 600AH

A2.1

LEGEND

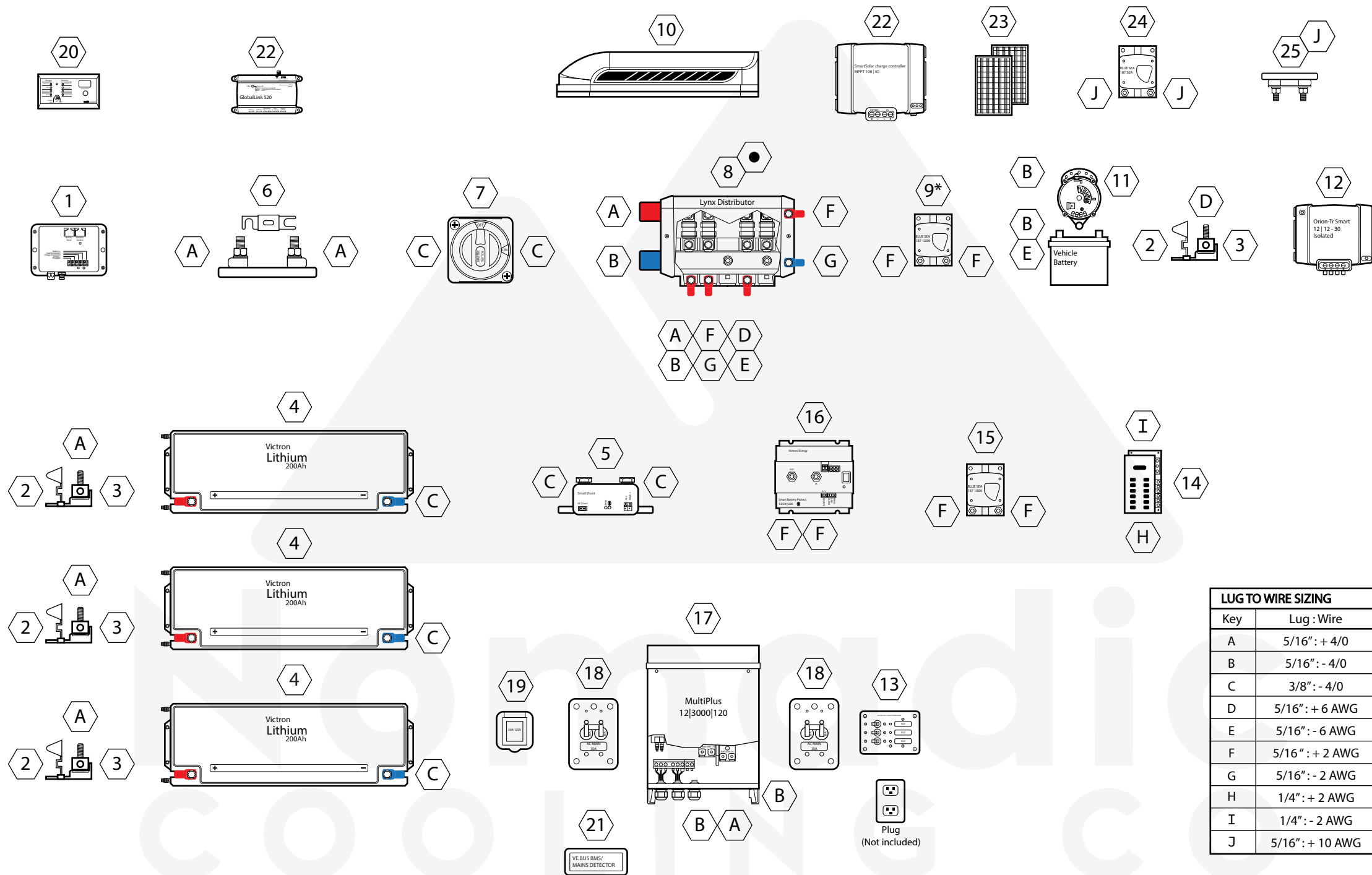
- POSITIVE (+)
- NEGATIVE (-)

NOTES

- See sheet A3.1 for detailed diagram.

COMPONENTS

- | | | | | |
|----------------------------|--|---|---------------------------------------|---------------------------------------|
| 1. VE. BUS BMS | 6. ANL FUSE BLOCK / FUSE 300A | 11. POSITIVE TERMINAL POST STOCK BATTERY / STOCK ALTERNATOR | 15. BLUE SEA 187 100A | 20. DIGITAL MULTI CONTROL 200/200A GX |
| 2. TERMINAL FUSE BLOCK | 7. MASTER SWITCH | 12. ORION TR SMART 12 12 30 ISOLATED | 16. SMART BATTERY PROTECT 12/24 220 | 21. VE. BUS BMS MAINS DETECTOR |
| 3. MRBF TERMINAL FUSE 250A | 8. LYNX DISTRIBUTOR | 13. 3 POSITION PANEL | 17. MULTIPLUS 12 3000 120 | 22. GLOBALINK 520 |
| 4. LITHIUM BATTERY | 9. *RECOMMENDED FUSE: 80, 120, 150A (NOT INCLUDED) | 14. ST BLADE FUSE BLOCK | 18. 8077 AC MAIN | |
| 5. SMART SHUNT | 10. NOMADIC AC 150 AMP | | 19. INLET 30A 125V | |



DRAWING: NOT TO SCALE
COPYRIGHT ©2023 NOMADIC COOLING CO

DISCLAIMER:

Install at your own risk. This diagram is to be used as a guide. Your configuration may vary. Nomadic Cooling Co does not take responsibility for any errors that may occur during installation. Please consult with a professional for install.

LUG PLACEMENT

ROAMER 12V 600AH - SOLAR

A2.2

LEGEND

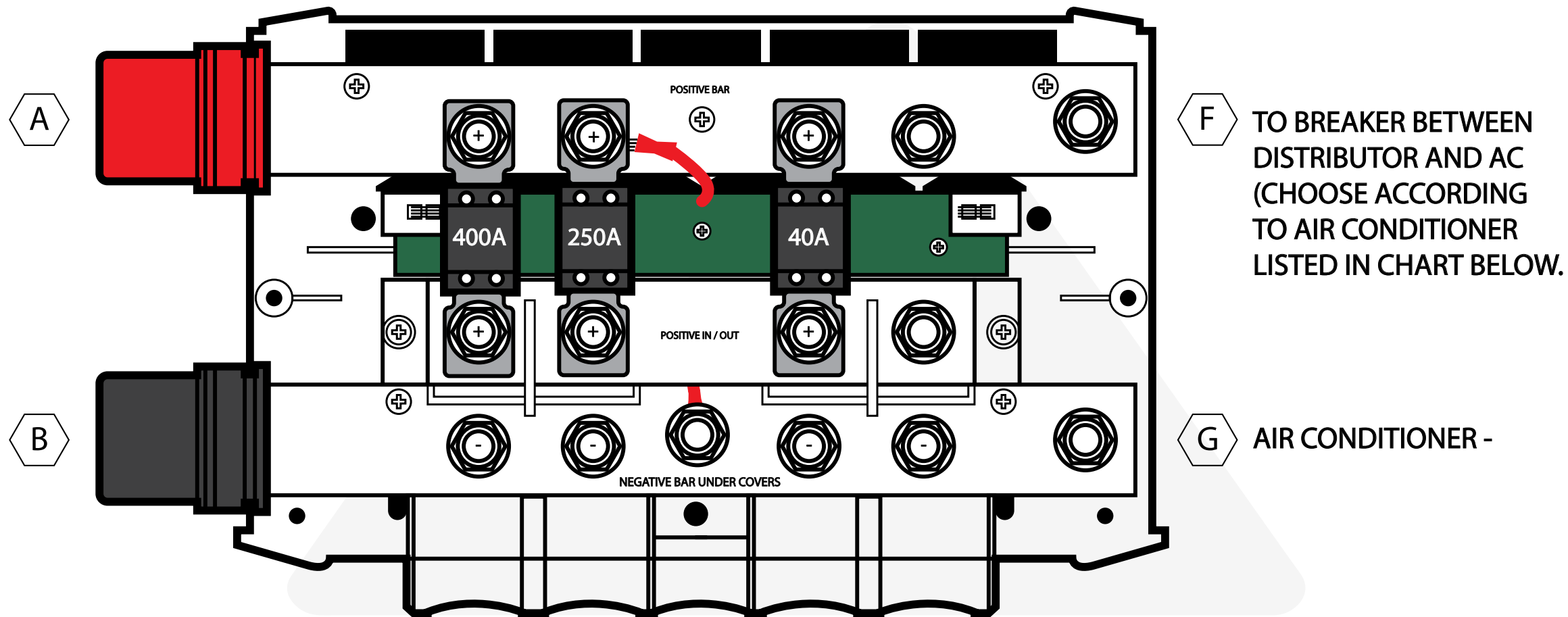
- POSITIVE (+)
- NEGATIVE (-)

NOTES

- See sheet A3.2 for detailed diagram.

COMPONENTS

- | | | | | |
|----------------------------|--|---|---------------------------------------|--------------------------------|
| 1. VE. BUS BMS | 6. ANL FUSE BLOCK / FUSE 300A | 11. POSITIVE TERMINAL POST STOCK BATTERY / STOCK ALTERNATOR | 15. BLUE SEA 187 100A | 21. VE. BUS BMS MAINS DETECTOR |
| 2. TERMINAL FUSE BLOCK | 7. MASTER SWITCH | 12. ORION TR SMART 12 12 30 ISOLATED | 16. SMART BATTERY PROTECT 12/24 220 | 22. GLOBALINK 520 |
| 3. MRBF TERMINAL FUSE 250A | 8. LYNX DISTRIBUTOR | 13. 3 POSITION PANEL | 17. MULTIPLUS 12 3000 120 | 23. SMART SOLAR MPPT 100 30 |
| 4. LITHIUM BATTERY | 9. *RECOMMENDED FUSE: 80, 120, 150A (NOT INCLUDED) | 14. ST BLADE FUSE BLOCK | 18. 8077 AC MAIN | 24. SOLAR ARRAY |
| 5. SMART SHUNT | 10. NOMADIC AC 150 AMP | | 19. INLET 30A 125V | 25. MODULAR FUSE HOLDER |



All cables to Lynx Distributor to be placed
POSITIVE ABOVE and NEGATIVE BELOW

MULTIPLUS -
MULTIPLUS +
SMART BATTERY PROTECT -
SMART BATTERY PROTECT +

EMPTY
EMPTY
ORION TR SMART -
ORION TR SMART +

*AIR CONDITIONER FUSE SIZE	
AC Model	Fuse Size
Dometic RTX 1000	80
Dometic RTX 2000	80
Indel B OFF	80
Nomadic X3	125

LYNX DISTRIBUTOR

ROAMER 12V 600AH

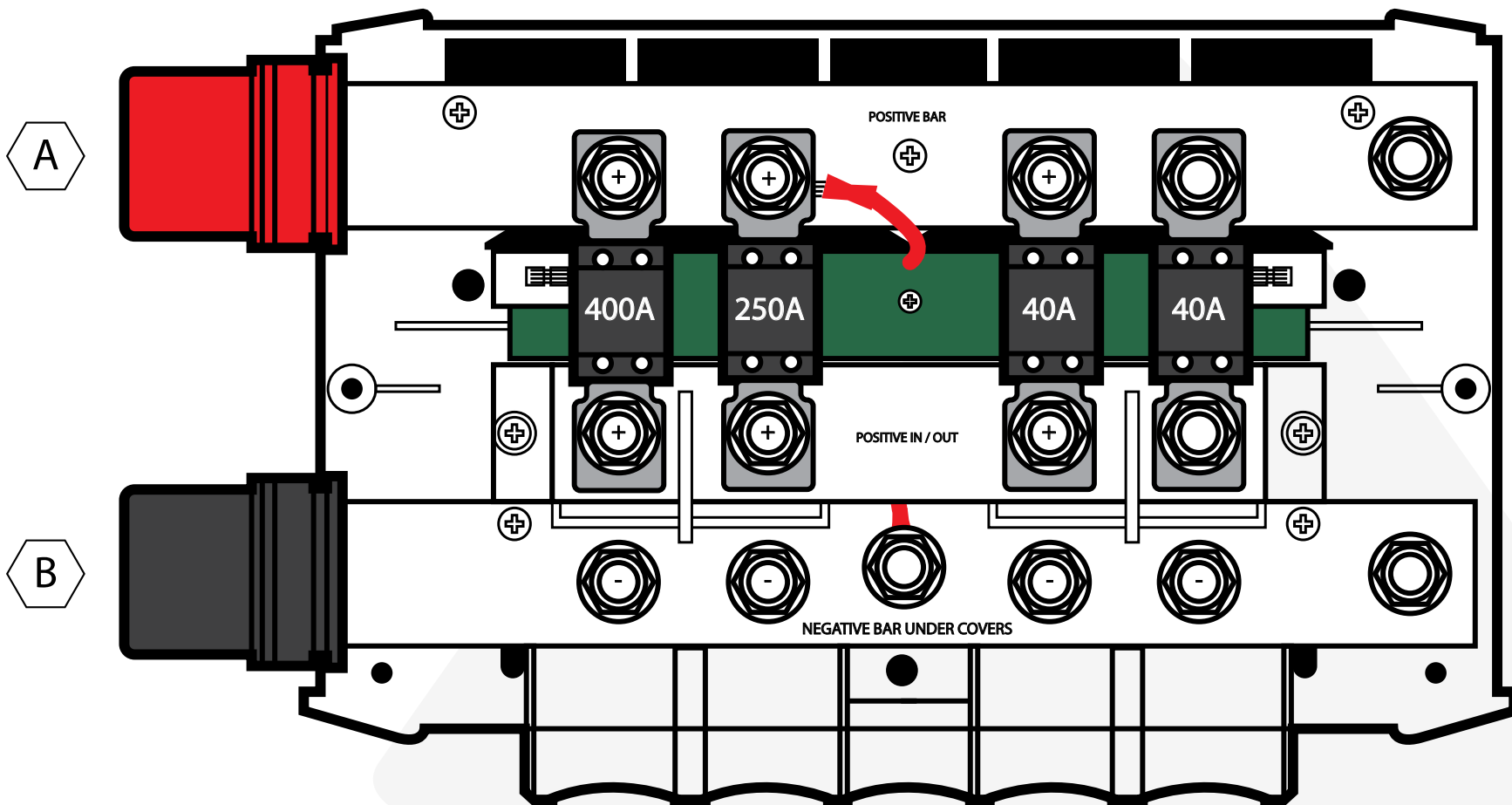
A3.1

DRAWING: NOT TO SCALE

COPYRIGHT ©2023 NOMADIC COOLING CO

DISCLAIMER:

Install at your own risk. This diagram is to be used as a guide. Your configuration may vary. Nomadic Cooling Co does not take responsibility for any errors that may occur during installation. Please consult with a professional for install.



F TO BREAKER BETWEEN DISTRIBUTOR AND AIR CONDITIONER (CHOOSE ACCORDING TO AIR CONDITIONER LIST IN CHART BELOW).

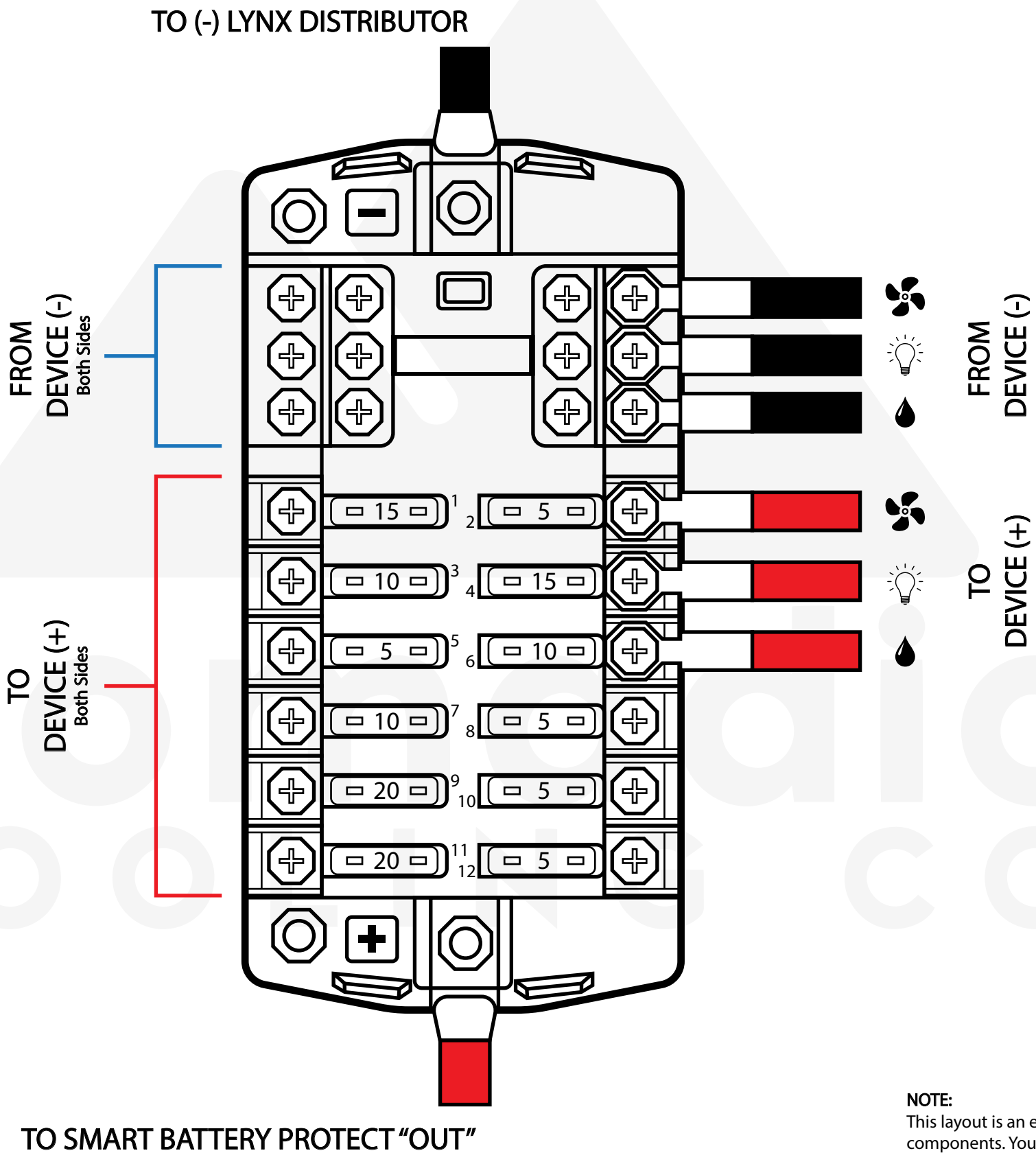
G AIR CONDITIONER -

All cables to Lynx Distributor to be placed POSITIVE ABOVE and NEGATIVE BELOW

- MULTIPLUS - **A** **B**
- MULTIPLUS + **A** **B**
- SMART BATTERY PROTECT - **F** **G**
- SMART BATTERY PROTECT + **F** **G**
- SMART SOLAR + **D** **E**
- SMART SOLAR - **D** **E**
- ORION TR SMART - **D** **E**
- ORION TR SMART + **D** **E**

*AIR CONDITIONER FUSE SIZE	
AC Model	Fuse Size
Dometic RTX 1000	80
Dometic RTX 2000	80
Indel B OFF	80
Nomadic X3	125

LYNX DISTRIBUTOR



NOTE:
This layout is an example of wiring various components. Your configuration may differ.

DRAWING: NOT TO SCALE
COPYRIGHT ©2023 NOMADIC COOLING CO

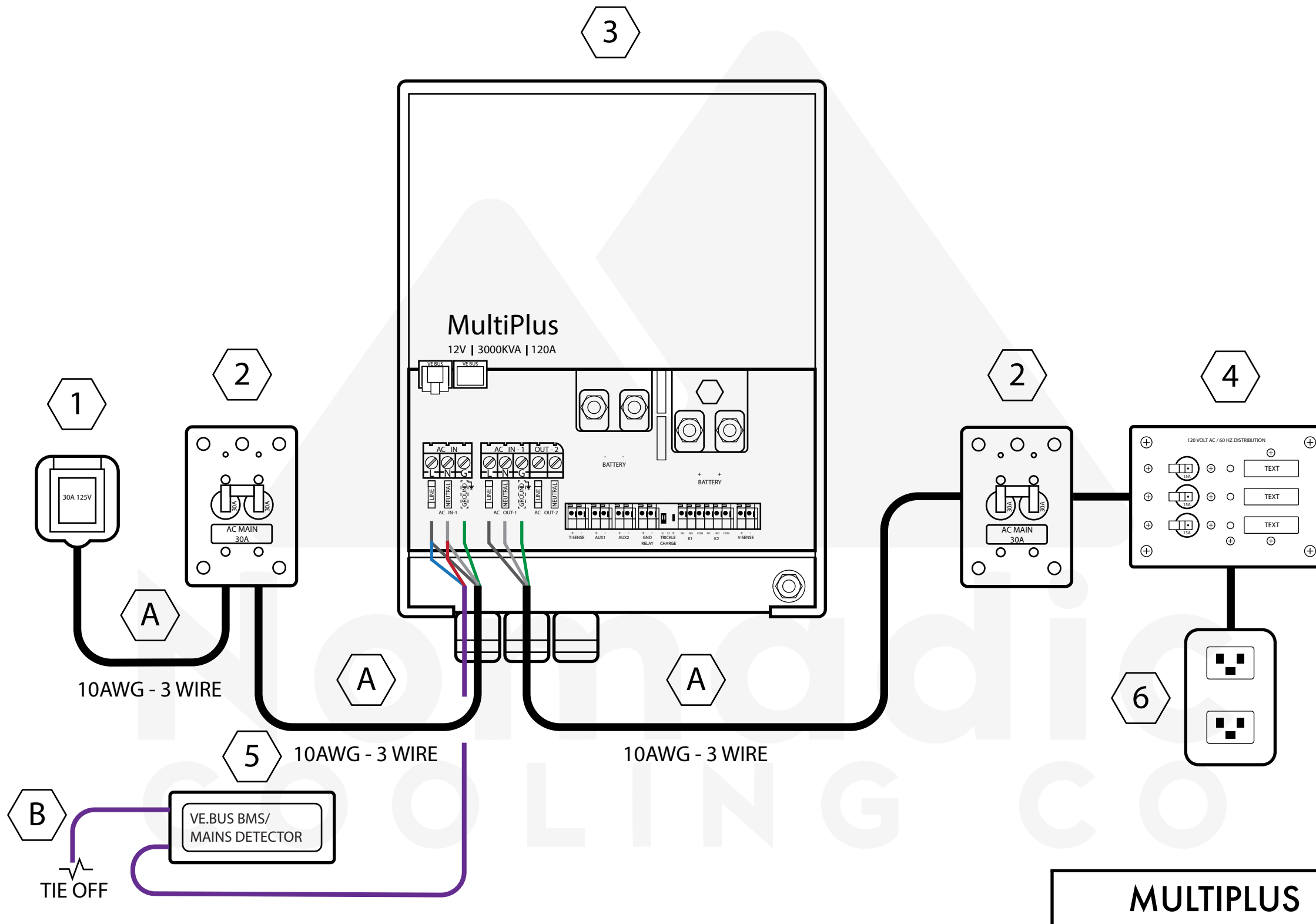
DISCLAIMER:

Install at your own risk. This diagram is to be used as a guide. Your configuration may vary. Nomadic Cooling Co does not take responsibility for any errors that may occur during installation. Please consult with a professional for install.

BLUE SEA ST BLADE

ROAMER 12V 600AH

A4.1



ROAMER 12V 600AH

A5.1

LEGEND

- 10 AWG 3 WIRE
- LINE
- NEUTRAL
- GROUND
- AC INPUT

NOTES X

- A. Use 10AWG 3-wire braided wire.
Not Romex wire.
- B. Second wires not needed. Tie and place to side. Wires are for 2nd AC input. Multiplus 12|3000|120 - 50 provides 1 input.

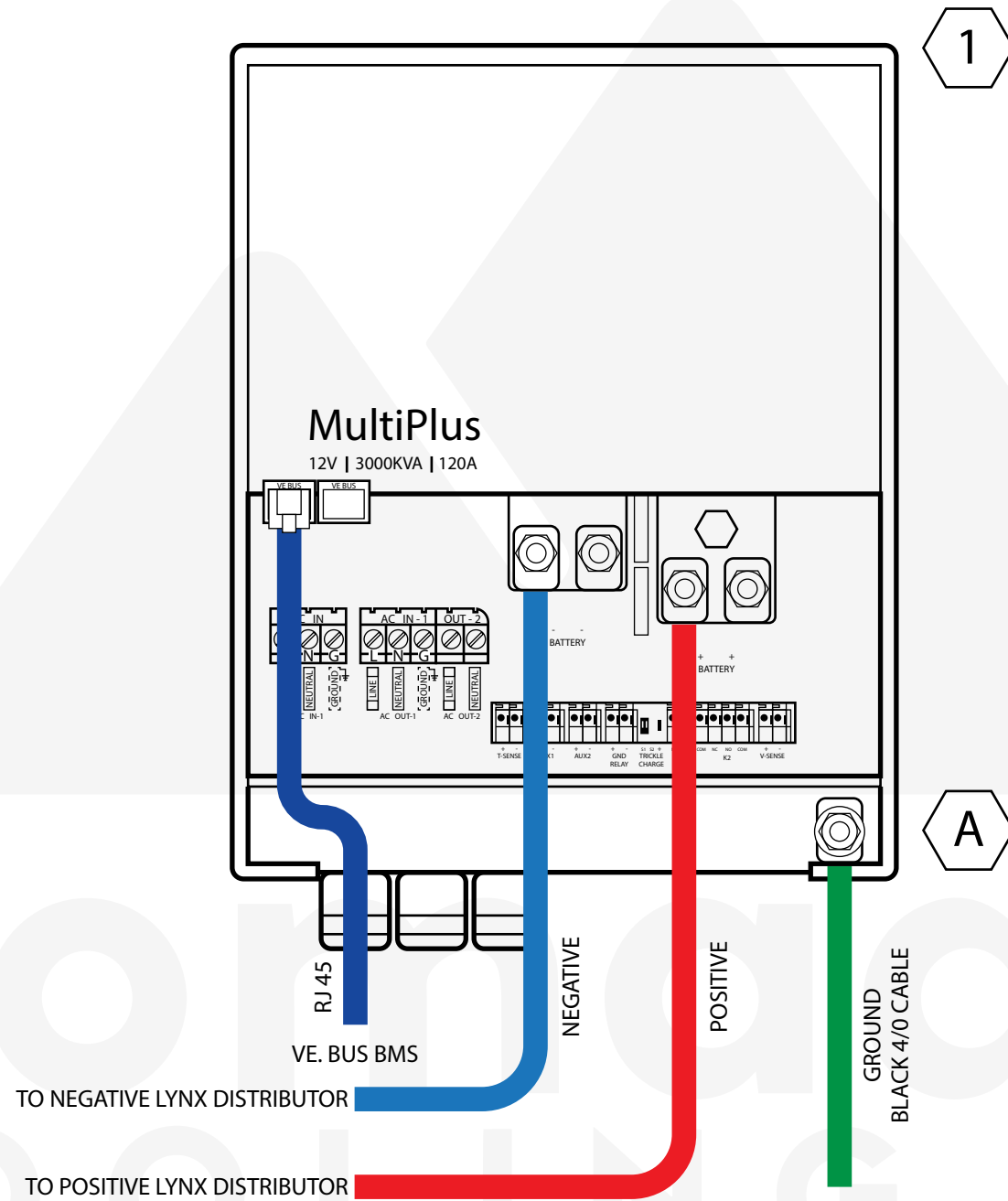
COMPONENTS

- | | |
|------------------------------|--|
| 1. INLET 30A 125V | 5. VE. BUS BMS MAINS DETECTOR |
| 2. 8077 AC MAIN | 6. STANDARD PLUG (NOT INCLUDED IN KIT) |
| 3. MULTIPLUS 12 3000 120 | |
| 4. 120V DISTRIBUTION SWITCH | |

DRAWING: NOT TO SCALE
COPYRIGHT ©2023 NOMADIC COOLING CO

DISCLAIMER:

Install at your own risk. This diagram is to be used as a guide. Your configuration may vary. Nomadic Cooling Co does not take responsibility for any errors that may occur during installation. Please consult with a professional for install.



MULTIPLUS

ROAMER 12V 600AH

A5.2

LEGEND

- POSITIVE
- NEGATIVE
- VE BUS
- GROUND

NOTES X

A. Ground point is in back on bottom of Multiplus.

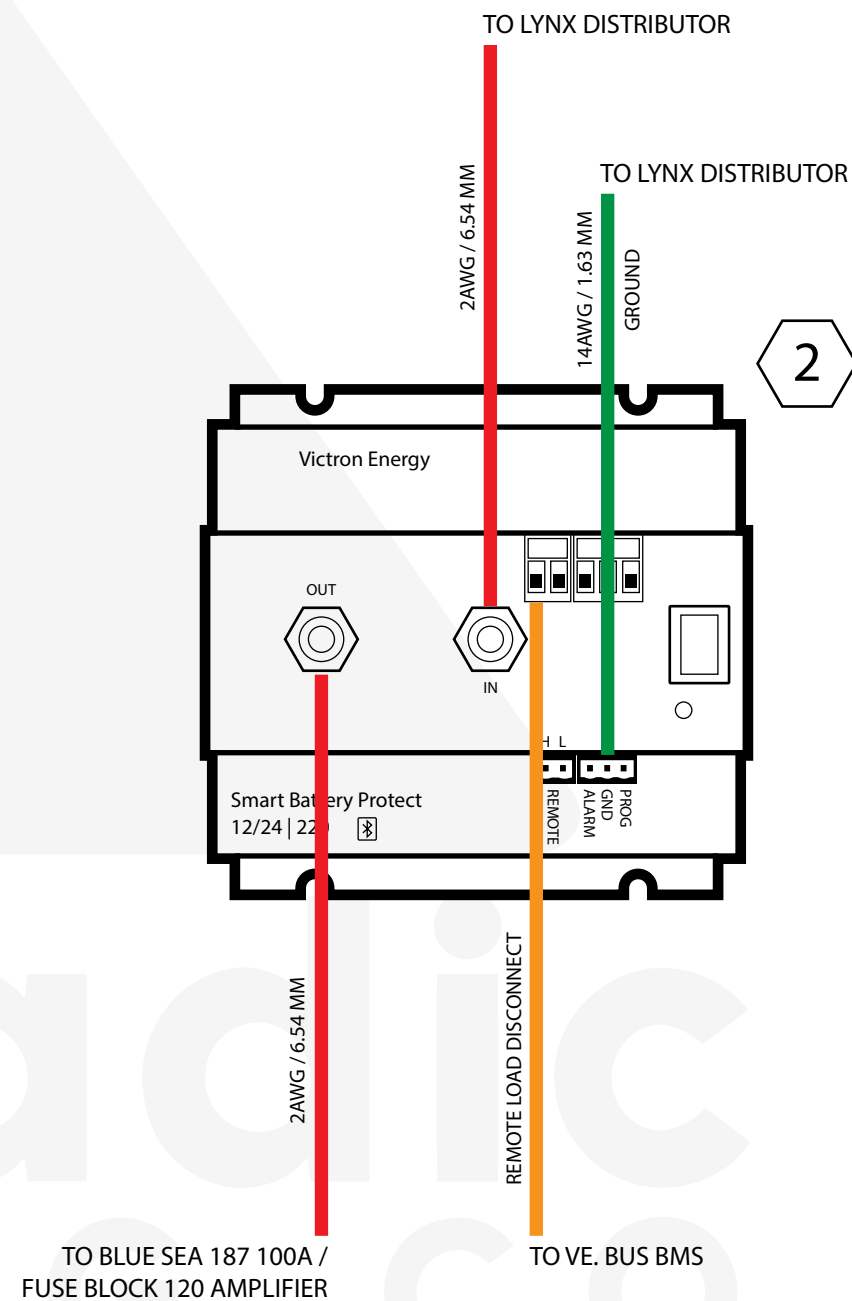
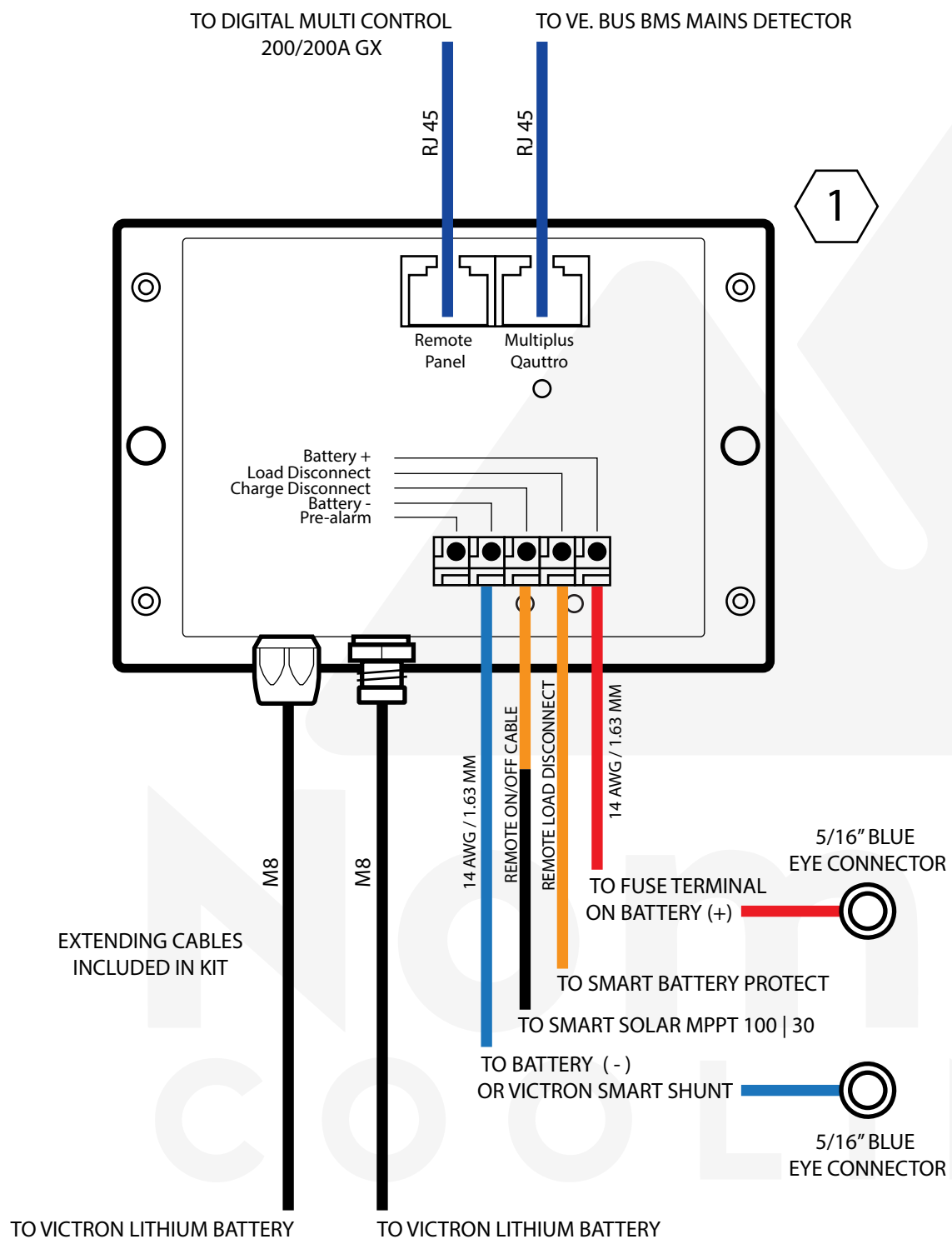
COMPONENTS

1. MULTIPLUS
12 | 3000 | 120

DRAWING: NOT TO SCALE
COPYRIGHT ©2023 NOMADIC COOLING CO

DISCLAIMER:

Install at your own risk. This diagram is to be used as a guide. Your configuration may vary. Nomadic Cooling Co does not take responsibility for any errors that may occur during installation. Please consult with a professional for install.



**SMART BATTERY PROTECT /
VE. BUS BMS**

ROAMER 12V 600AH

A6.1

LEGEND

- POSITIVE
- NEGATIVE
- RJ 45
- REMOTE LOAD DISCONNECT
- REMOTE ON/OFF
- GROUND

NOTES X

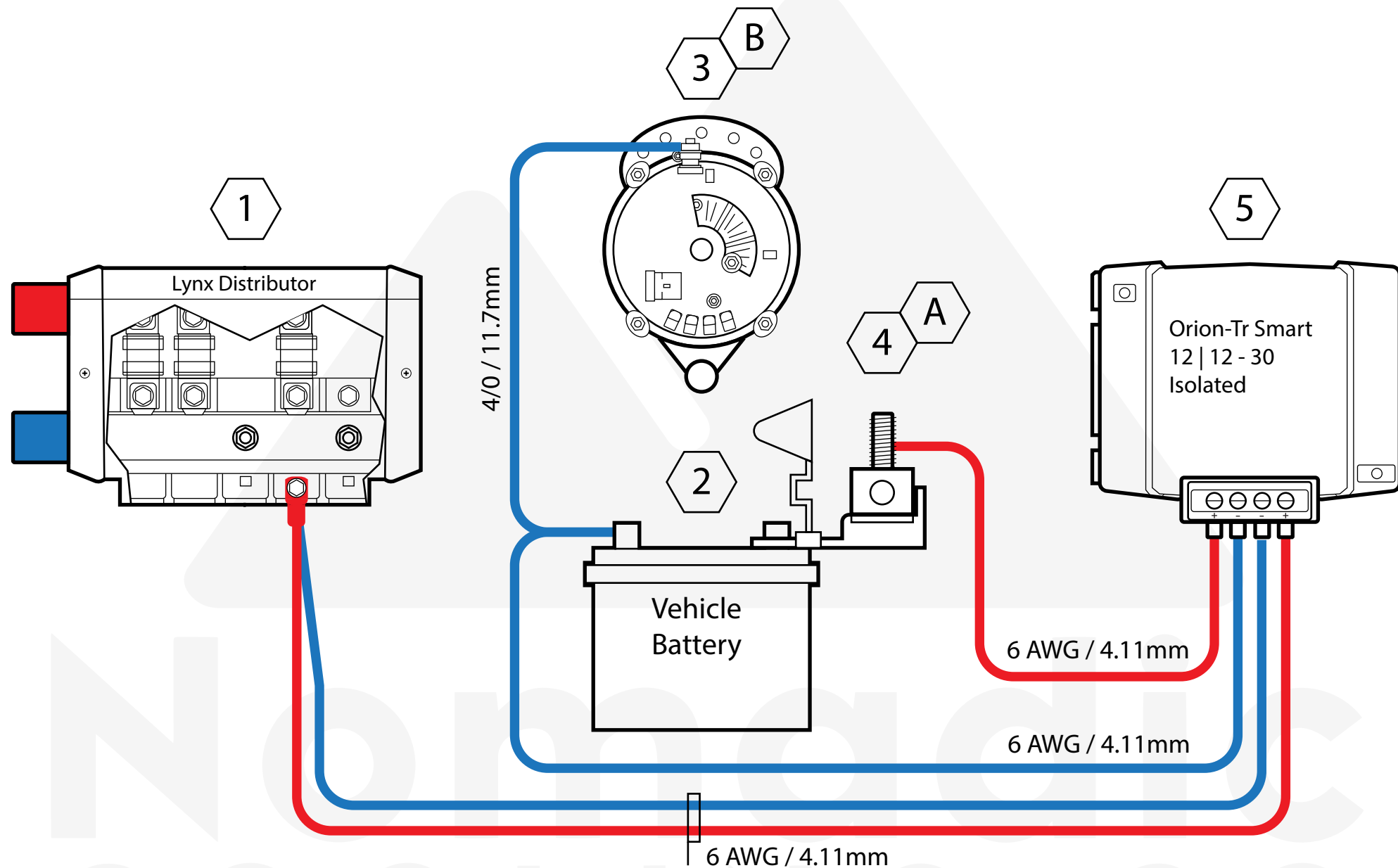
COMPONENTS

1. VE. BUS BMS
2. SMART BATTERY PROTECT 12/24 | 220

DRAWING: NOT TO SCALE
COPYRIGHT ©2023 NOMADIC COOLING CO

DISCLAIMER:

Install at your own risk. This diagram is to be used as a guide. Your configuration may vary. Nomadic Cooling Co does not take responsibility for any errors that may occur during installation. Please consult with a professional for install.



ORION-TR SMART ISOLATED

ROAMER 12V 600AH

A7.1

LEGEND

- POSITIVE
- NEGATIVE

NOTES X

- A. Terminal fuse block sits on positive battery terminal.
- B. 4/0 Negative cable from battery to negative post on stock alternator.

COMPONENTS

- | | | | | |
|---------------------|---|---------------------|--|---------------------------------------|
| 1. LYNX DISTRIBUTOR | 2. POSITIVE TERMINAL POST STOCK BATTERY | 3. STOCK ALTERNATOR | 4. TERMINAL FUSE BLOCK / MRBF TERMINAL FUSE 250A | 5. ORION TR SMART 12 12 30 ISOLATED |
|---------------------|---|---------------------|--|---------------------------------------|

DRAWING: NOT TO SCALE
COPYRIGHT ©2023 NOMADIC COOLING CO

DISCLAIMER:

Install at your own risk. This diagram is to be used as a guide. Your configuration may vary. Nomadic Cooling Co does not take responsibility for any errors that may occur during installation. Please consult with a professional for install.