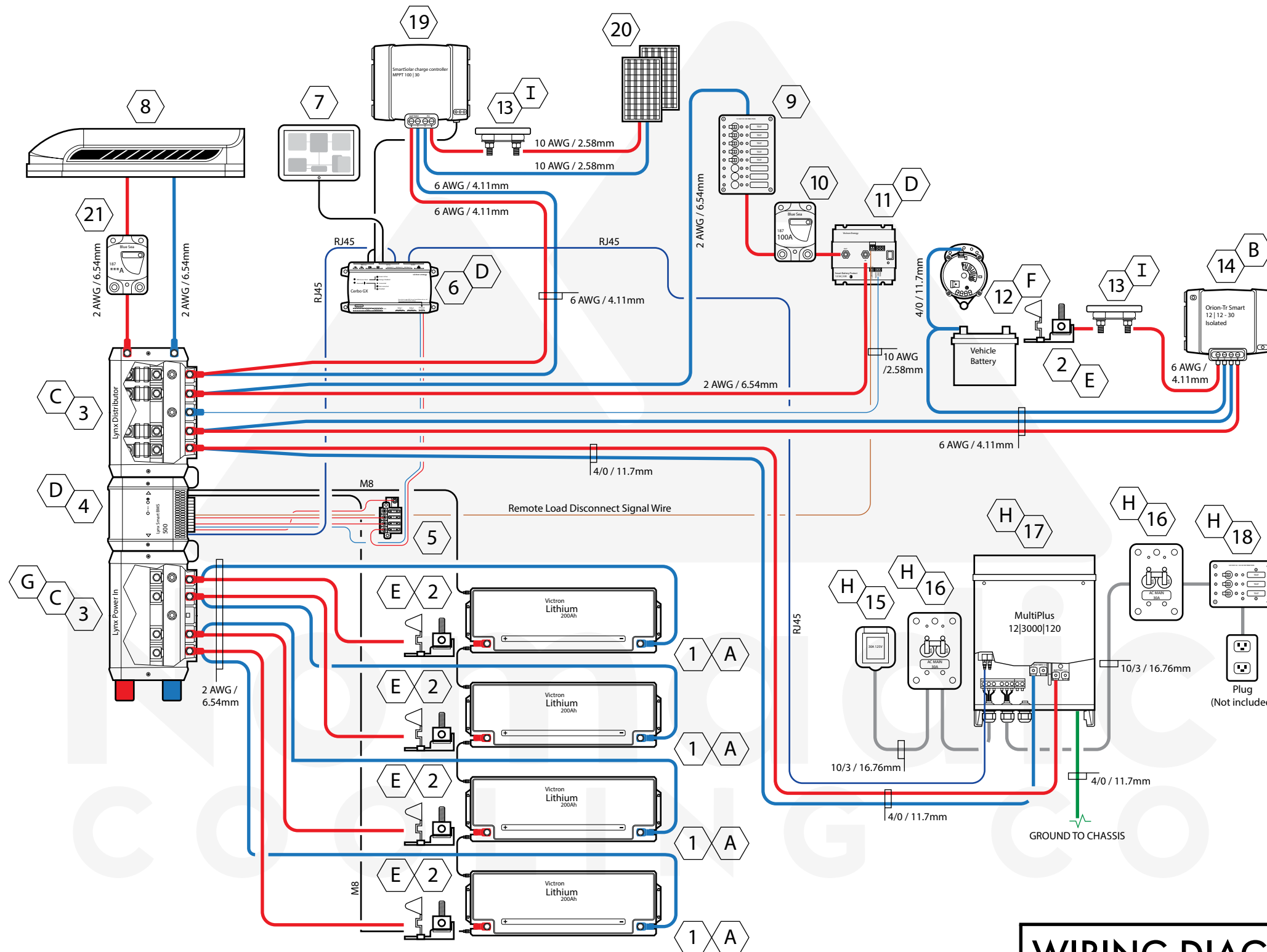


# NOMAD 800ah

## Electrical Wiring Diagram



# WIRING DIAGRAM

DRAWING: NOT TO SCALE  
COPYRIGHT ©2023 NOMADIC COOLING CO

**DISCLAIMER:**  
Install at your own risk. This diagram is to be used as a guide. Your configuration may vary. Nomadic Cooling Co does not take responsibility for any errors that may occur during installation. Please consult with a professional for install.

# NOMAD 12V 800AH

# A1

## LEGEND

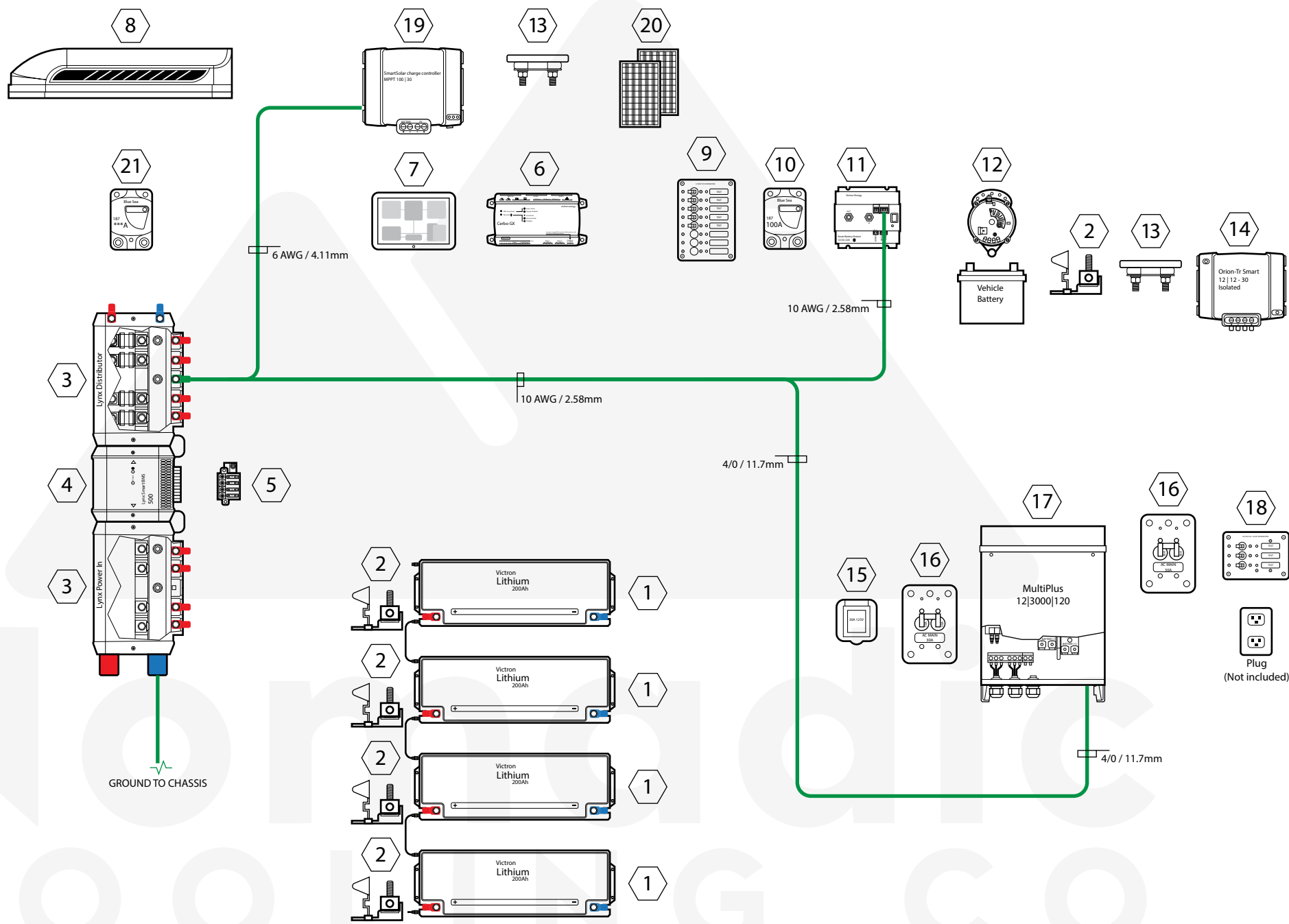
- DIRECT CABLE
- POSITIVE (+)
- NEGATIVE (-)
- GROUND
- RJ 45
- REMOTE LOAD DISCONNECT

## NOTES

- A. Keep all positive and negative battery cables the same length and as short as possible.
- B. ORION TR SMART 12|12-30 **will become HOT.** Install in ventilated area.
- C. See sheet A4.2 / 4.3 for detailed diagram.
- D. See sheet A5.1 for detailed diagram.
- E. Fuse block sits on positive (+) terminal post.
- F. See sheet A6.1 for detailed diagram.
- G. Lynx power in distributor.
- H. See sheet A7.1 / 7.2 for detailed diagram.
- I. Use corresponding breaker size for your solar requirements. 50A shown for 2 panels at 12.5A each.

## COMPONENTS

- |  |                           |  |                                |                           |
|--|---------------------------|--|--------------------------------|---------------------------|
| 1. LITHIUM BATTERY                               | 6. CERBO GX               | 12. POSITIVE TERMINAL POST STOCK BATTERY/ STOCK ALTERNATOR | 16. 8077 AC MAIN               | 20. SOLAR ARRAY           |
| 2. TERMINAL FUSE BLOCK / MRBF TERMINAL FUSE 250A | 7. GX TOUCH 50            | 13. MODULAR FUSE HOLDER                                    | 17. MULTIPLUS 12   3000   120  | 21. BLUE SEA 187 *80/120A |
| 3. LYNX DISTRIBUTOR                              | 8. NOMADIC AC 150 AMP     | 14. ORION TR SMART 12   12 30 ISOLATED                     | 18. 8058 CIRCUIT BREAKER PANEL |                           |
| 4. LYNX SMART BMS                                | 9. DC PANEL 8 POS.        | 15. INLET 30A 125V   | 19. SMART SOLAR MPPT 100   30  |                           |
| 5. 4 ST BLADE FUSE PANEL                         | 10. BLUE SEA 187 100A     |  |                                |                           |
|  | 11. SMART BATTERY PROTECT |  |                                |                           |



DRAWING: NOT TO SCALE  
COPYRIGHT ©2023 NOMADIC COOLING CO

## GROUND WIRING DIAGRAM

### DISCLAIMER:

Install at your own risk. This diagram is to be used as a guide. Your configuration may vary. Nomadic Cooling Co does not take responsibility for any errors that may occur during installation. Please consult with a professional for install.

# NOMAD 12V 800AH

# A2

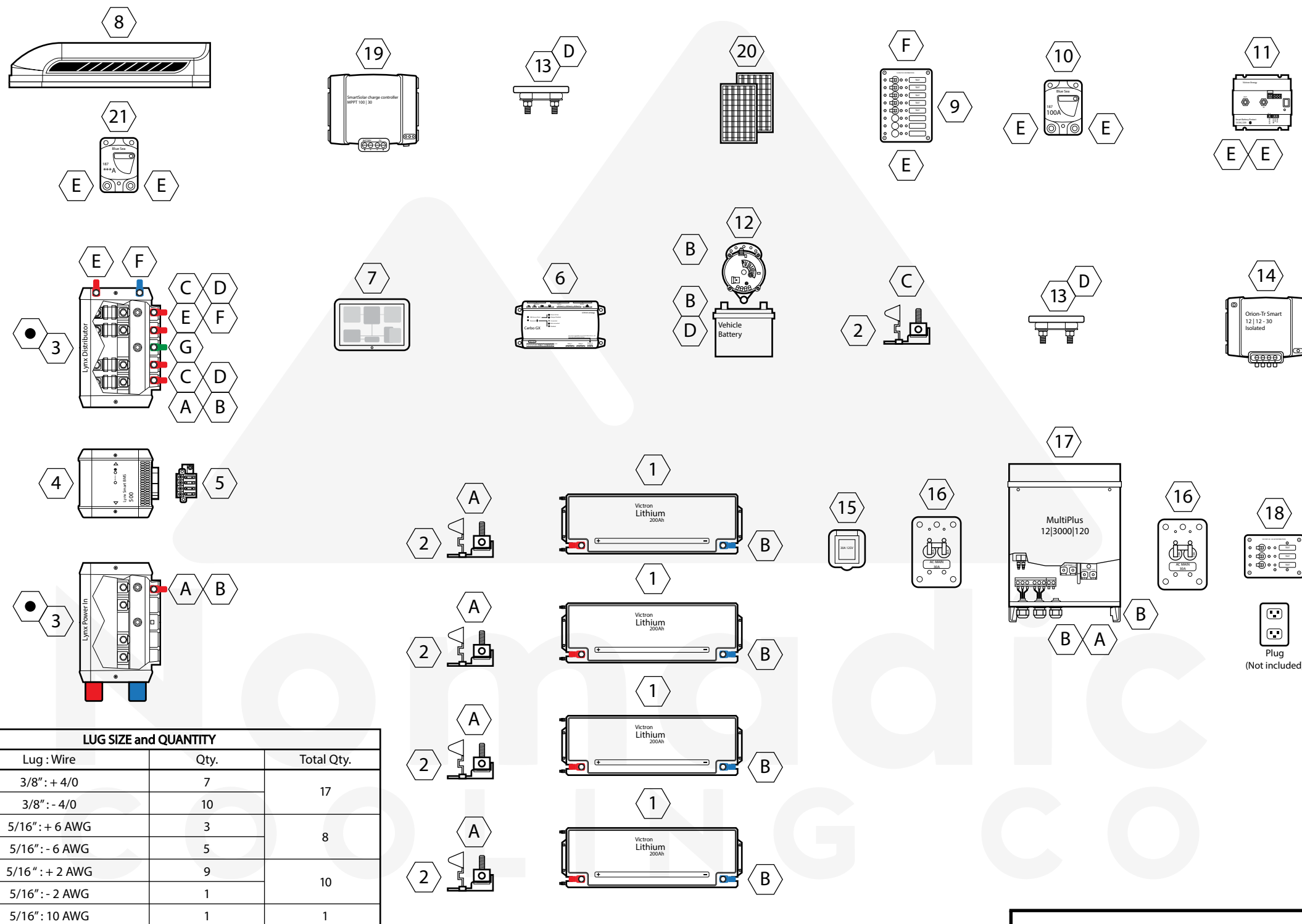
## LEGEND

GROUND

## NOTES X

## COMPONENTS #

- |  |                           |  |                                |                           |
|--|---------------------------|--|--------------------------------|---------------------------|
| 1. LITHIUM BATTERY                               | 6. CERBO GX               | 12. POSITIVE TERMINAL POST STOCK BATTERY/ STOCK ALTERNATOR | 16. 8077 AC MAIN               | 20. SOLAR ARRAY           |
| 2. TERMINAL FUSE BLOCK / MRBF TERMINAL FUSE 250A | 7. GX TOUCH 50            | 17. MULTIPLUS 12   3000   120                              | 18. 8058 CIRCUIT BREAKER PANEL | 21. BLUE SEA 187 *80/120A |
| 3. LYNX DISTRIBUTOR                              | 8. NOMADIC AC 150 AMP     | 18. 8058 CIRCUIT BREAKER PANEL                             | 19. SMART SOLAR MPPT 100   30  |                           |
| 4. LYNX SMART BMS                                | 9. DC PANEL 8 POS.        | 19. SMART SOLAR MPPT 100   30                              |                                |                           |
| 5. 4 ST BLADE FUSE PANEL                         | 10. BLUE SEA 187 100A     |  |                                |                           |
|  | 11. SMART BATTERY PROTECT |  |                                |                           |
|  |                           | 15. INLET 30A 125V   |                                |                           |



LUG SIZE and QUANTITY

Key	Lug : Wire	Qty.	Total Qty.
A	3/8" : + 4/0	7	17
B	3/8" : - 4/0	10	
C	5/16" : + 6 AWG	3	8
D	5/16" : - 6 AWG	5	
E	5/16" : + 2 AWG	9	10
F	5/16" : - 2 AWG	1	
G	5/16" : 10 AWG	1	1

## LUG PLACEMENT

DRAWING: NOT TO SCALE  
COPYRIGHT ©2023 NOMADIC COOLING CO

**DISCLAIMER:**

Install at your own risk. This diagram is to be used as a guide. Your configuration may vary. Nomadic Cooling Co does not take responsibility for any errors that may occur during installation. Please consult with a professional for install.

# NOMAD 12V 800AH

# A3

## LEGEND

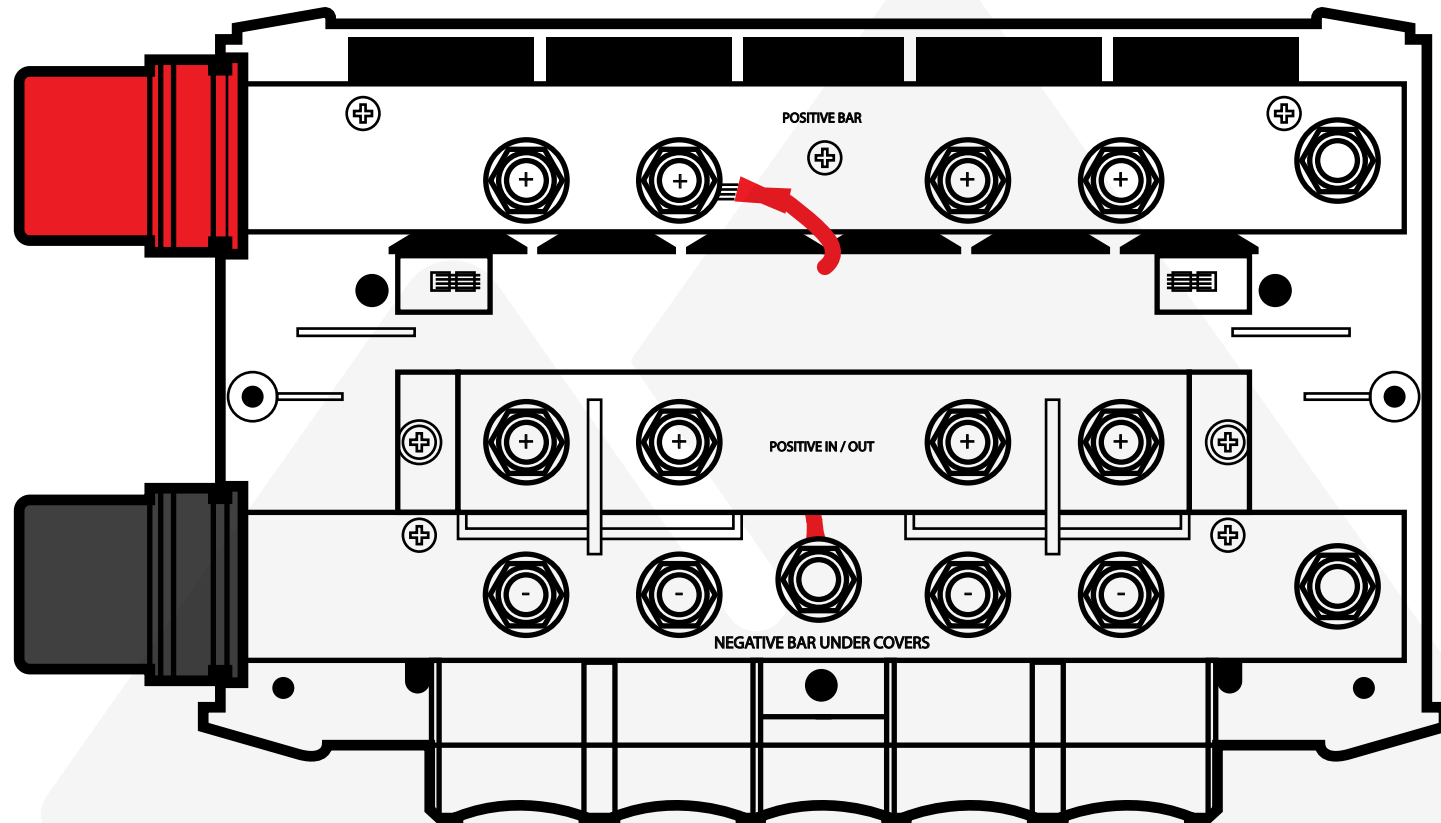
- POSITIVE (+)
- NEGATIVE (-)
- GROUND

## NOTES

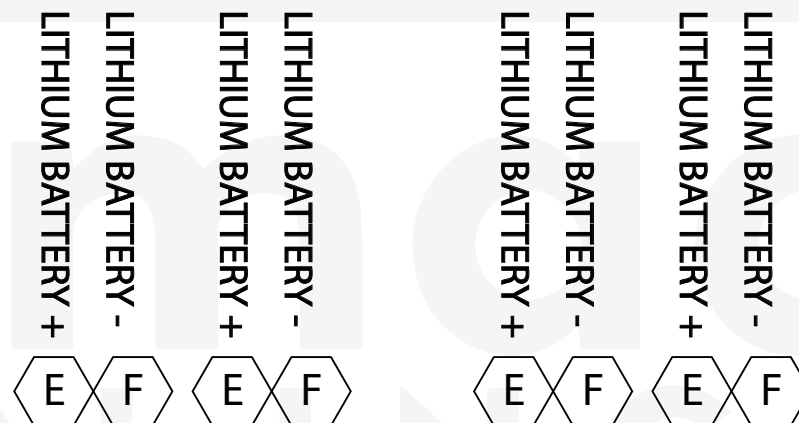
- See sheet A4.1/4.2 for detailed diagram.

## COMPONENTS

- |  |                           |  |                                |                           |
|--|---------------------------|--|--------------------------------|---------------------------|
| 1. LITHIUM BATTERY                               | 6. CERBO GX               | 12. POSITIVE TERMINAL POST STOCK BATTERY/ STOCK ALTERNATOR | 16. 8077 AC MAIN               | 20. SOLAR ARRAY           |
| 2. TERMINAL FUSE BLOCK / MRBF TERMINAL FUSE 250A | 7. GX TOUCH 50            | 13. MODULAR FUSE HOLDER                                    | 17. MULTIPLUS 12   3000   120  | 21. BLUE SEA 187 *80/120A |
| 3. LYNX DISTRIBUTOR                              | 8. NOMADIC AC 150 AMP     | 14. ORION TR SMART 12   12 30 ISOLATED                     | 18. 8058 CIRCUIT BREAKER PANEL |                           |
| 4. LYNX SMART BMS                                | 9. DC PANEL 8 POS.        | 15. INLET 30A 125V   | 19. SMART SOLAR MPPT 100   30  |                           |
| 5. 4 ST BLADE FUSE PANEL                         | 10. BLUE SEA 187 100A     |  |                                |                           |
|  | 11. SMART BATTERY PROTECT |  |                                |                           |



All cables to Lynx Power In to be placed  
POSITIVE ABOVE and NEGATIVE BELOW



LUG SIZE and QUANTITY		
Key	Lug : Wire	Qty.
A	5/16" : + 2 AWG	4
B	5/16" : - 2 AWG	4

DRAWING: NOT TO SCALE  
COPYRIGHT ©2023 NOMADIC COOLING CO

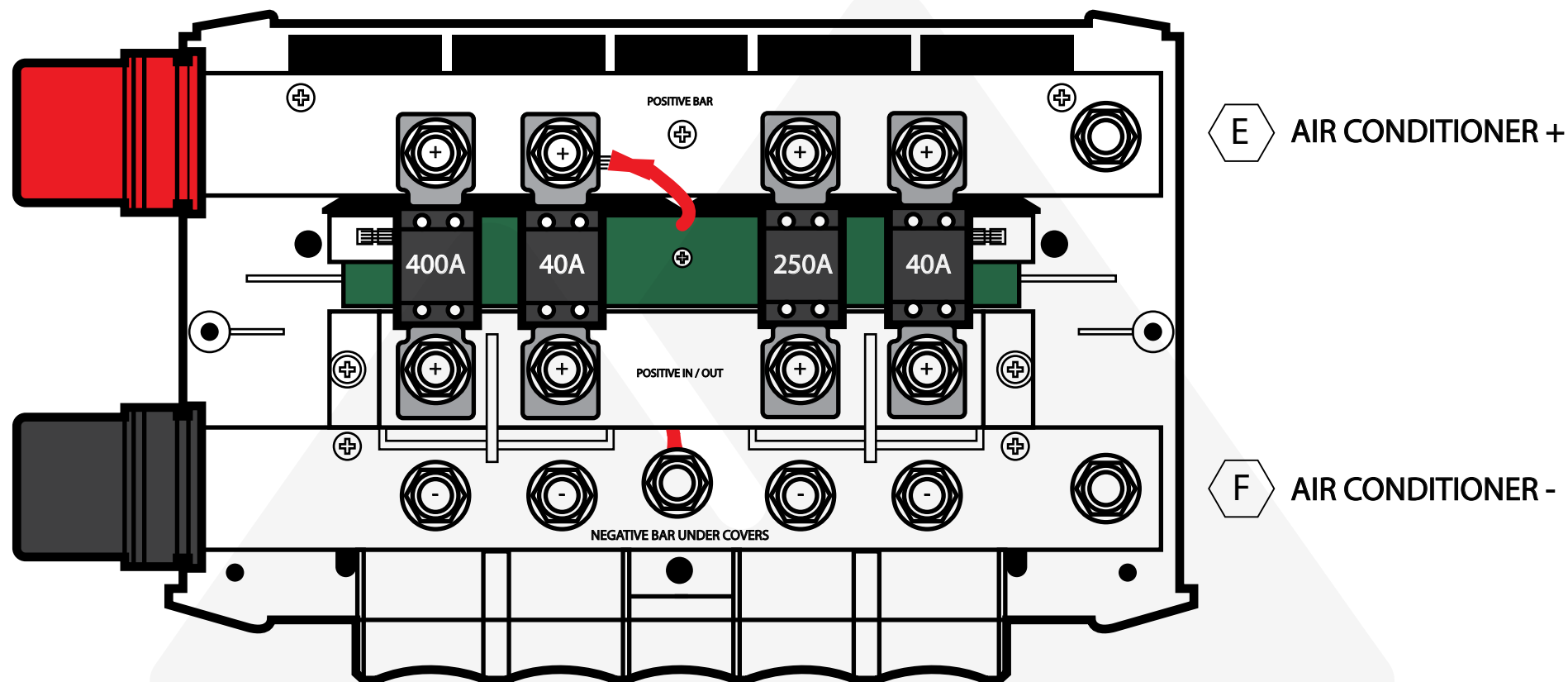
DISCLAIMER:

Install at your own risk. This diagram is to be used as a guide. Your configuration may vary. Nomadic Cooling Co does not take responsibility for any errors that may occur during installation. Please consult with a professional for install.

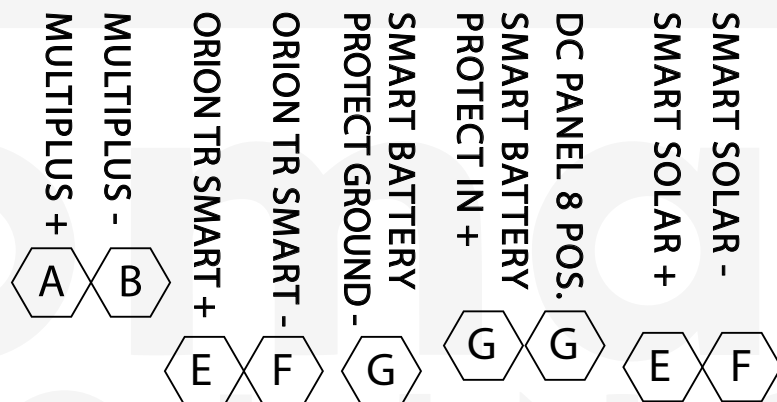
LYNX DISTRIBUTOR

NOMAD 12V 800AH

A4.1



All cables to Lynx Distributor to be placed POSITIVE ABOVE and NEGATIVE BELOW



FUSE SIZES	
Component	Fuse Size
Multiplus	400A
Orion TR Smart Isolated	40A
Smart Battery Protect / DC panel 8 pos.	250A
Smart Solar	40A

*AIR CONDITIONER FUSE SIZE 12V UNITS			
AC Model	Blue Sea 187 Breaker	Fuse Size	Qty.
Dometic RTX 1000	80	80	1
Dometic RTX 2000	80	80	1
Indel B OFF	80	80	1
Nomadic X3	120	125	1

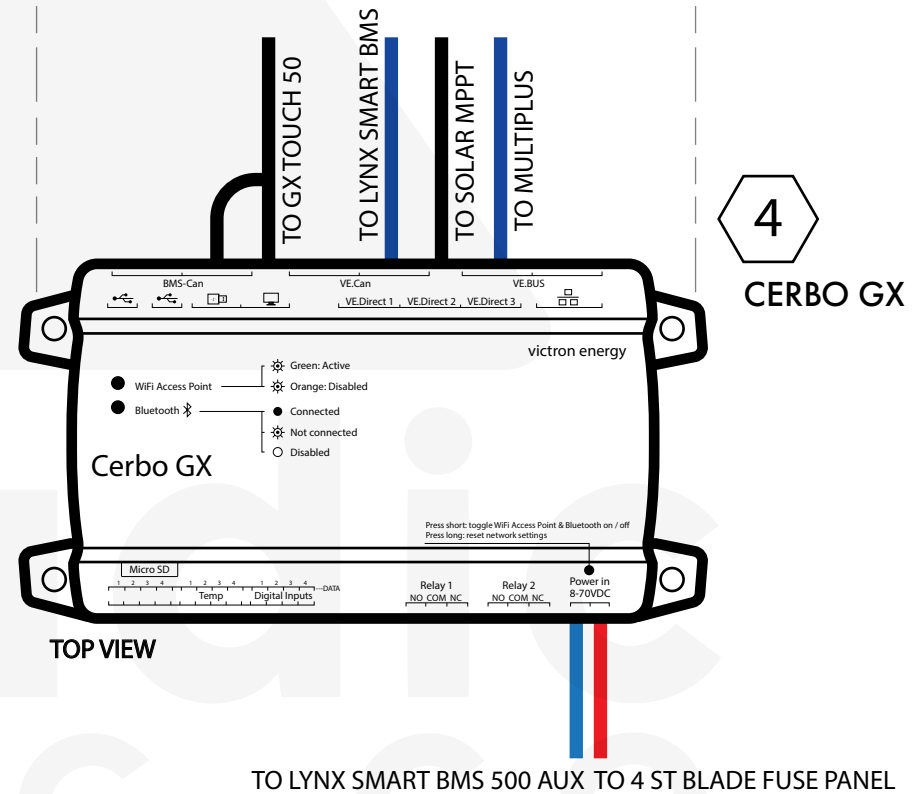
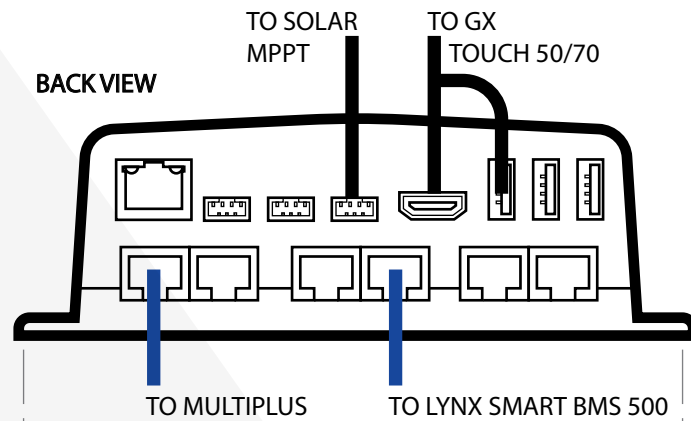
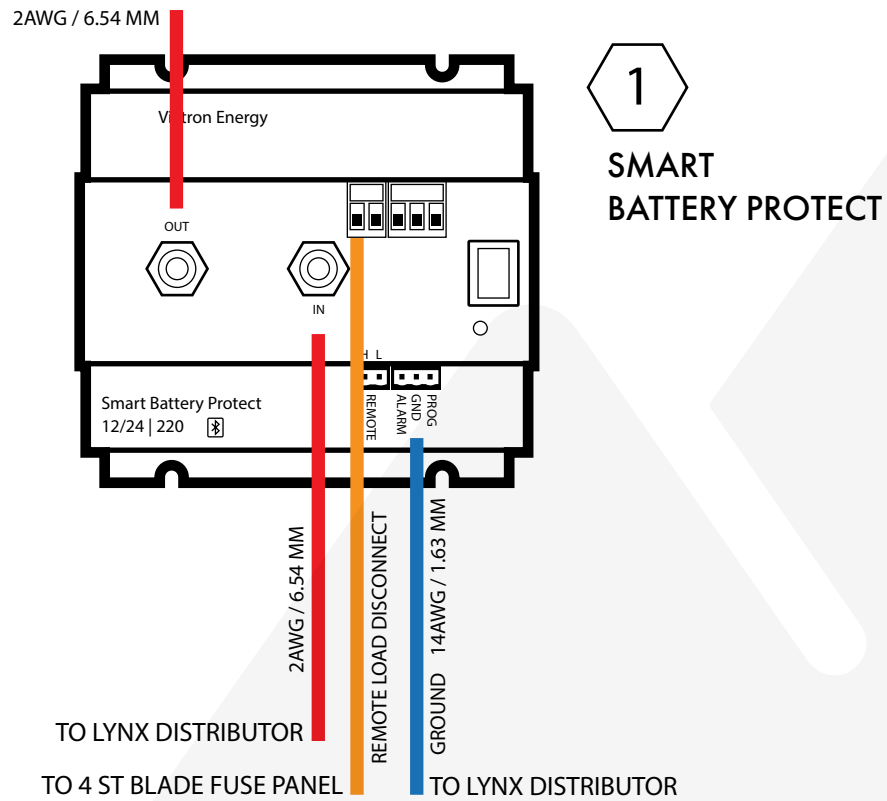
LUG SIZE and QUANTITY			
Key	Lug : Wire	Qty.	Total Qty.
A	3/8" : + 4/0	7	17
B	3/8" : - 4/0	10	
C	5/16" : + 6 AWG	3	8
D	5/16" : - 6 AWG	5	
E	5/16" : + 2 AWG	9	10
F	5/16" : - 2 AWG	1	
G	5/16" : 10 AWG	1	1

DRAWING: NOT TO SCALE  
COPYRIGHT ©2023 NOMADIC COOLING CO

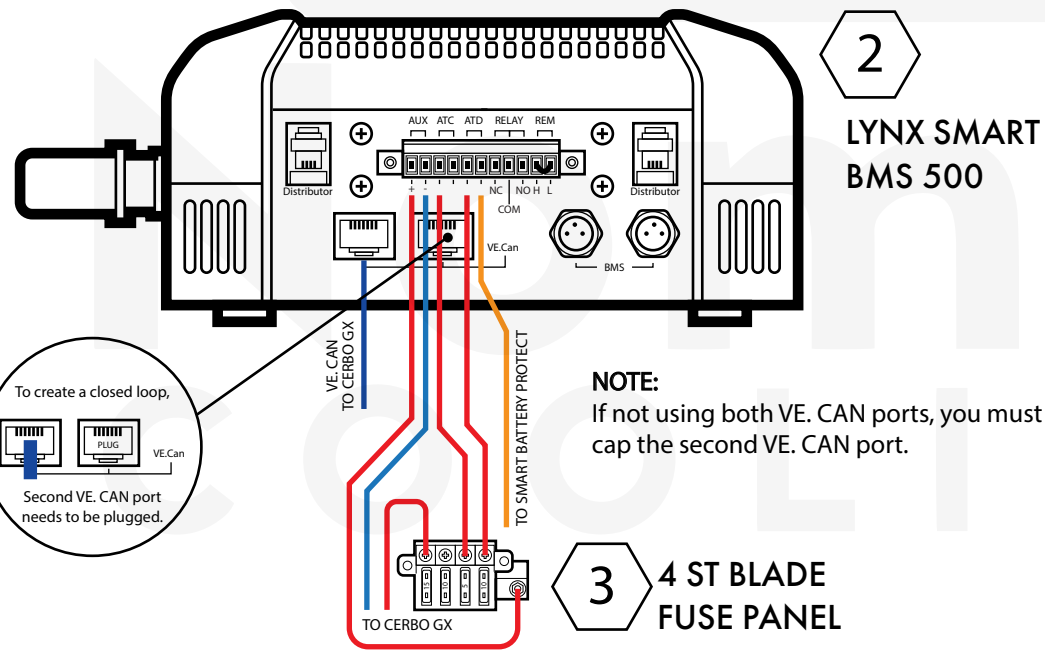
DISCLAIMER:

Install at your own risk. This diagram is to be used as a guide. Your configuration may vary. Nomadic Cooling Co does not take responsibility for any errors that may occur during installation. Please consult with a professional for install.

**LYNX DISTRIBUTOR**



CERBO GX / LYNX BMS 500 / SMART BATTERY PROTECT



NOTE:  
If not using both VE. BUS / BMS CAN ports,  
you must cap the second VE. CAN port.

# NOMAD 12V 800AH

# A5

## LEGEND

- DIRECT CABLE
- POSITIVE (+)
- NEGATIVE (-)
- RJ 45
- REMOTE LOAD DISCONNECT

## NOTES X

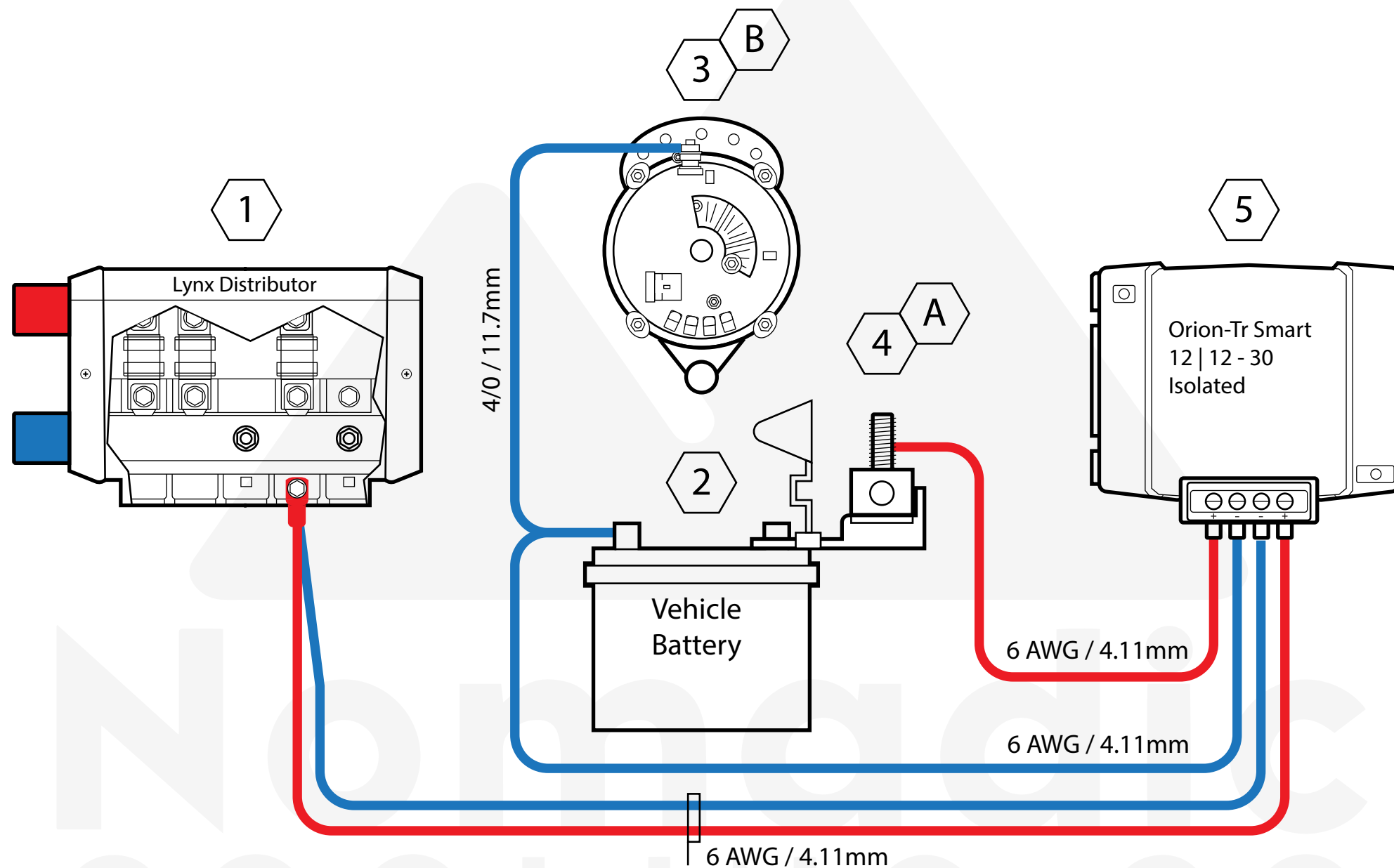
## COMPONENTS #

- |                                      |                       |                          |             |
|--------------------------------------|-----------------------|--------------------------|-------------|
| 1. SMART BATTERY PROTECT 12/24   220 | 2. LYNX SMART BMS 500 | 3. 4 ST BLADE FUSE PANEL | 4. CERBO GX |
|--------------------------------------|-----------------------|--------------------------|-------------|

DRAWING: NOT TO SCALE  
COPYRIGHT ©2023 NOMADIC COOLING CO

### DISCLAIMER:

Install at your own risk. This diagram is to be used as a guide. Your configuration may vary. Nomadic Cooling Co does not take responsibility for any errors that may occur during installation. Please consult with a professional for install.



ORION-TR SMART ISOLATED

# NOMAD 12V 800AH

# A6

## LEGEND

- POSITIVE
- NEGATIVE

## NOTES X

- A. Terminal fuse block sits on positive battery terminal.
- B. 4/0 Negative cable from battery to negative post on stock alternator.

## COMPONENTS #

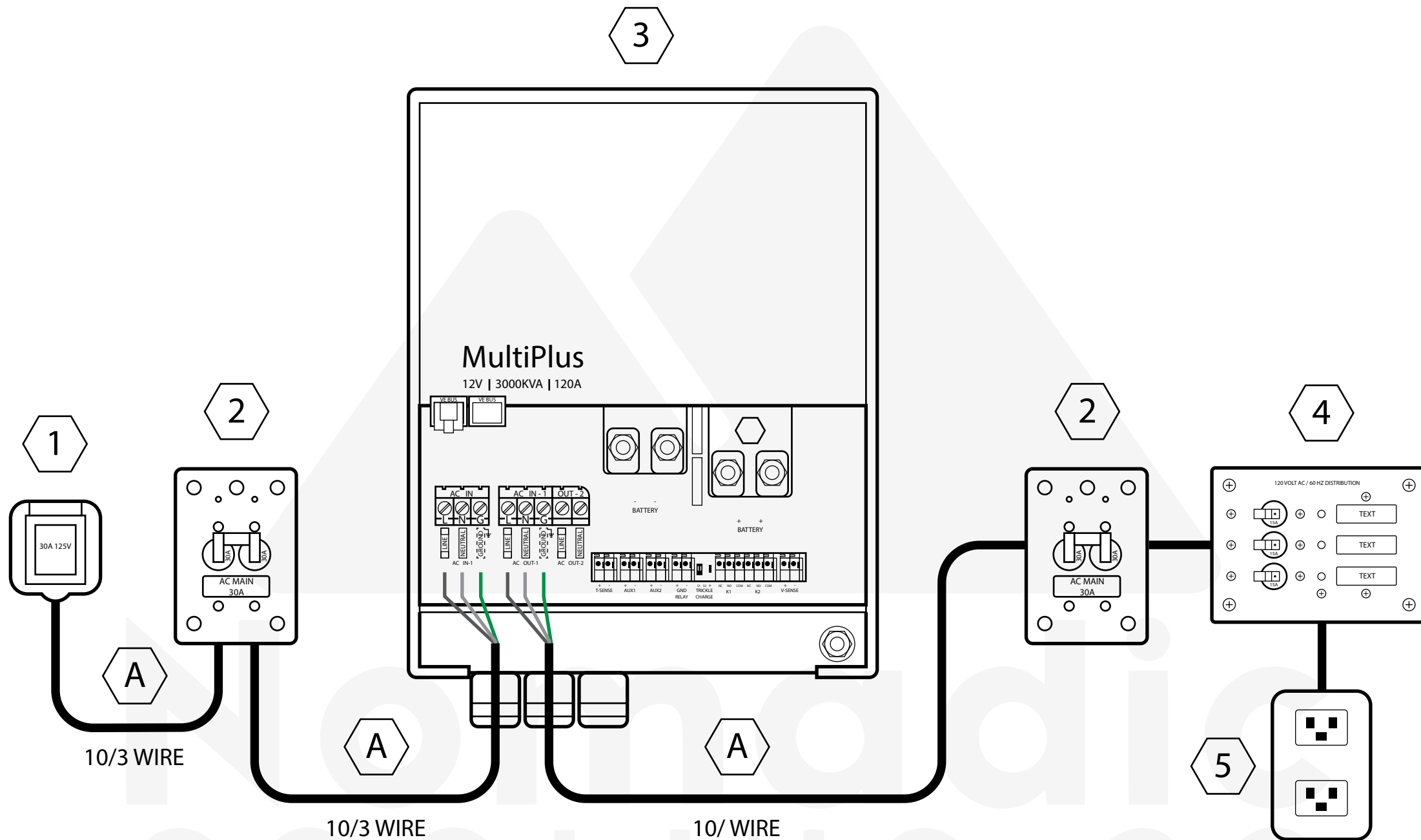
- |                     |   |                     |  |                                       |
|---------------------|---|---------------------|--|---------------------------------------|
| 1. LYNX DISTRIBUTOR | 2. POSITIVE TERMINAL POST STOCK BATTERY | 3. STOCK ALTERNATOR | 4. TERMINAL FUSE BLOCK / MRBF TERMINAL FUSE 250A | 5. ORION TR SMART 12   12 30 ISOLATED |
|---------------------|---|---------------------|--|---------------------------------------|

DRAWING: NOT TO SCALE  
COPYRIGHT ©2023 NOMADIC COOLING CO

### DISCLAIMER:

Install at your own risk. This diagram is to be used as a guide. Your configuration may vary. Nomadic Cooling Co does not take responsibility for any errors that may occur during installation. Please consult with a professional for install.



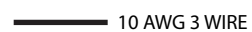



**MULTIPLUS**

# NOMAD 12V 800AH

# A7.1

## LEGEND

-  10 AWG 3 WIRE
-  LINE
-  NEUTRAL
-  GROUND

## NOTES X

A. Use 10AWG 3-wire braided wire.  
**Not Romex wire.**

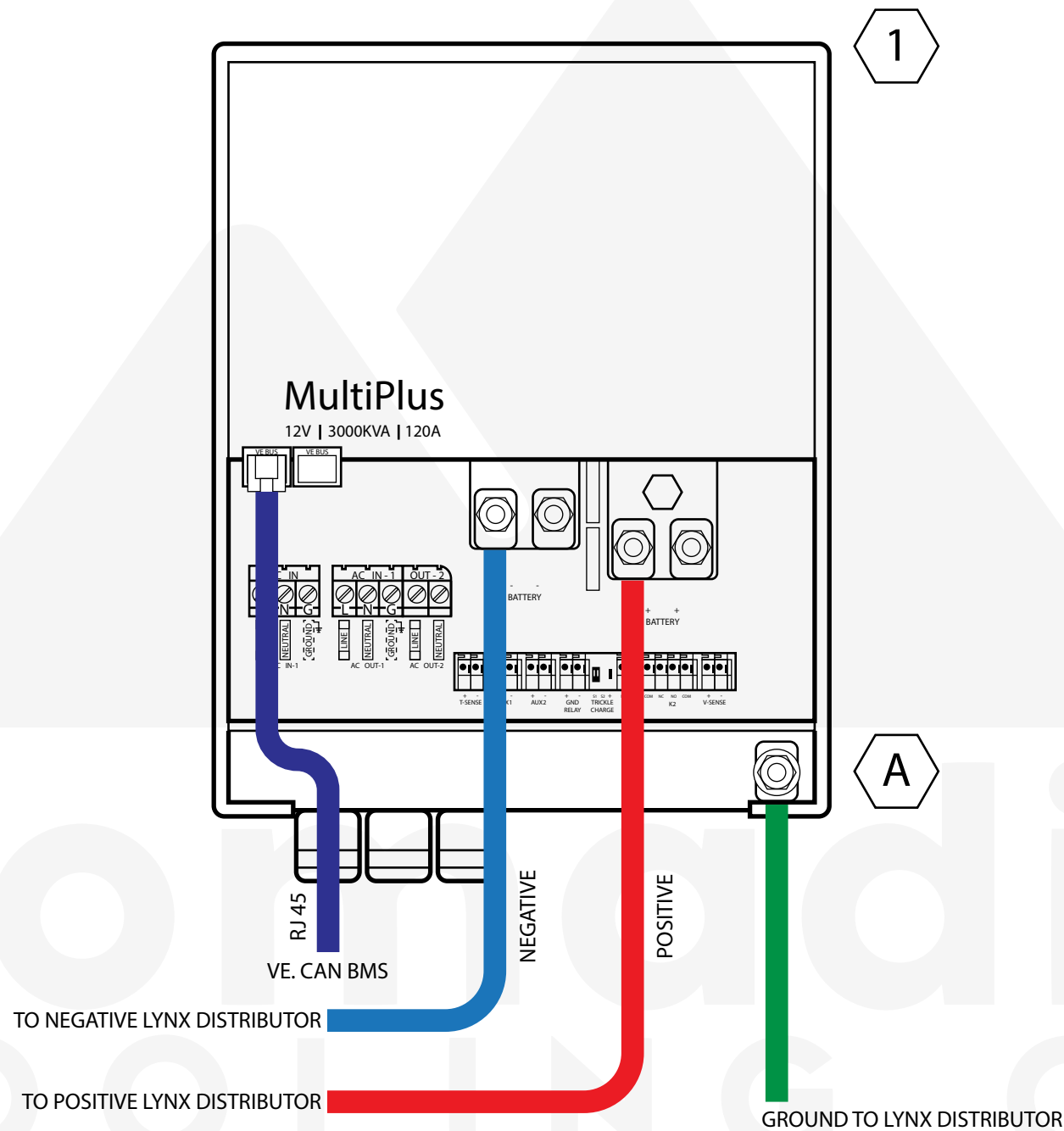
## COMPONENTS #

- 1. INLET 30A 125V
- 2. 8077 AC MAIN
- 3. MULTIPLUS  
12 | 3000 | 120
- 4. 120V DISTRIBUTION  
SWITCH
- 5. STANDARD PLUG  
(Not Included in Kit)

DRAWING: NOT TO SCALE  
COPYRIGHT ©2023 NOMADIC COOLING CO

### DISCLAIMER:

Install at your own risk. This diagram is to be used as a guide. Your configuration may vary. Nomadic Cooling Co does not take responsibility for any errors that may occur during installation. Please consult with a professional for install.



**MULTIPLUS**

# NOMAD 12V 800AH

# A7.2

## LEGEND

- POSITIVE
- NEGATIVE
- VE. BUS
- GROUND

## NOTES X

A. Ground point is in back on bottom of Multiplus.

## COMPONENTS #

1. MULTIPLUS  
12 | 3000 | 120

DRAWING: NOT TO SCALE  
COPYRIGHT ©2023 NOMADIC COOLING CO

### DISCLAIMER:

Install at your own risk. This diagram is to be used as a guide. Your configuration may vary. Nomadic Cooling Co does not take responsibility for any errors that may occur during installation. Please consult with a professional for install.

PARTS LIST NOMAD 800Ah			
Key	Manufacturer	Product	Qty.
1	Victron	Lithium Battery 200Ah	4
2	Blue Sea	Terminal Fuse Block / Terminal Fuse 250A - 1 ea.	5
3	Victron	Lynx Distributor / Lynx Power In Distributor - 1 ea.	2
4	Victron	Lynx Smart BMS	1
5	Blue Sea	5045 ST Blade Fuse Panel	1
6	Victron	Cerbo GX	1
7	Victron	GX Touch 50 or 70	1
8	Nomadic / Dometic	Air Conditioner 150Amp - Customer Supplied, Not in kit	1
9	Blue Sea	8023 DC 8 Position Panel	1
10	Blue Sea	7148 Surface Mount 187 Circuit Breaker 100A DC	1
11	Victron	Smart Battery Protect 220A	1
12	-	Stock Battery - Customer Supplied, Not in kit	1
13	Victron	Modular Fuse Holder	2
14	Victron	Orion TR Smart 12   12 30 Isolated	1
15	Marinco	30Amp 125V RV Inlet	1
16	Blue Sea	8077 AC Panel Main 120VAC 30A	2
17	Victron	Multiplus 12   3000   120	1
18	Blue Sea	8058 Circuit Breaker Panel 120 VAC - 3 Breakers	1
19	Victron	Smart Solar MPPT 100   30	1
20	-	Solar Panels - Customer Supplied, Not in kit	1
21	Blue Sea	7039 Surface Mount 187 Circuit Breaker 80A or 120A DC	1

NOT ALL COMPONENTS IN KIT

FUZE SIZES	
Component	Fuze Size
Multiplus	400A
Orion TR Smart Isolated	40A
Smart Battery Protect / DC panel 8 pos.	250A
Smart Solar	40A

NOT ALL COMPONENTS IN KIT

*AIR CONDITIONER FUZE SIZE 12V UNITS			
AC Model	Blue Sea 187 Breaker	Fuze Size	Qty.
Dometic RTX 1000	80	80	1
Dometic RTX 2000	80	80	1
Indel B OFF	80	80	1
Nomadic X3	120	125	1

NOT ALL COMPONENTS IN KIT

## PARTS TABLES

# NOMAD 12V 800AH

# A9

DRAWING: NOT TO SCALE  
COPYRIGHT ©2023 NOMADIC COOLING CO

**DISCLAIMER:**

Install at your own risk. This diagram is to be used as a guide. Your configuration may vary. Nomadic Cooling Co does not take responsibility for any errors that may occur during installation. Please consult with a professional for install.