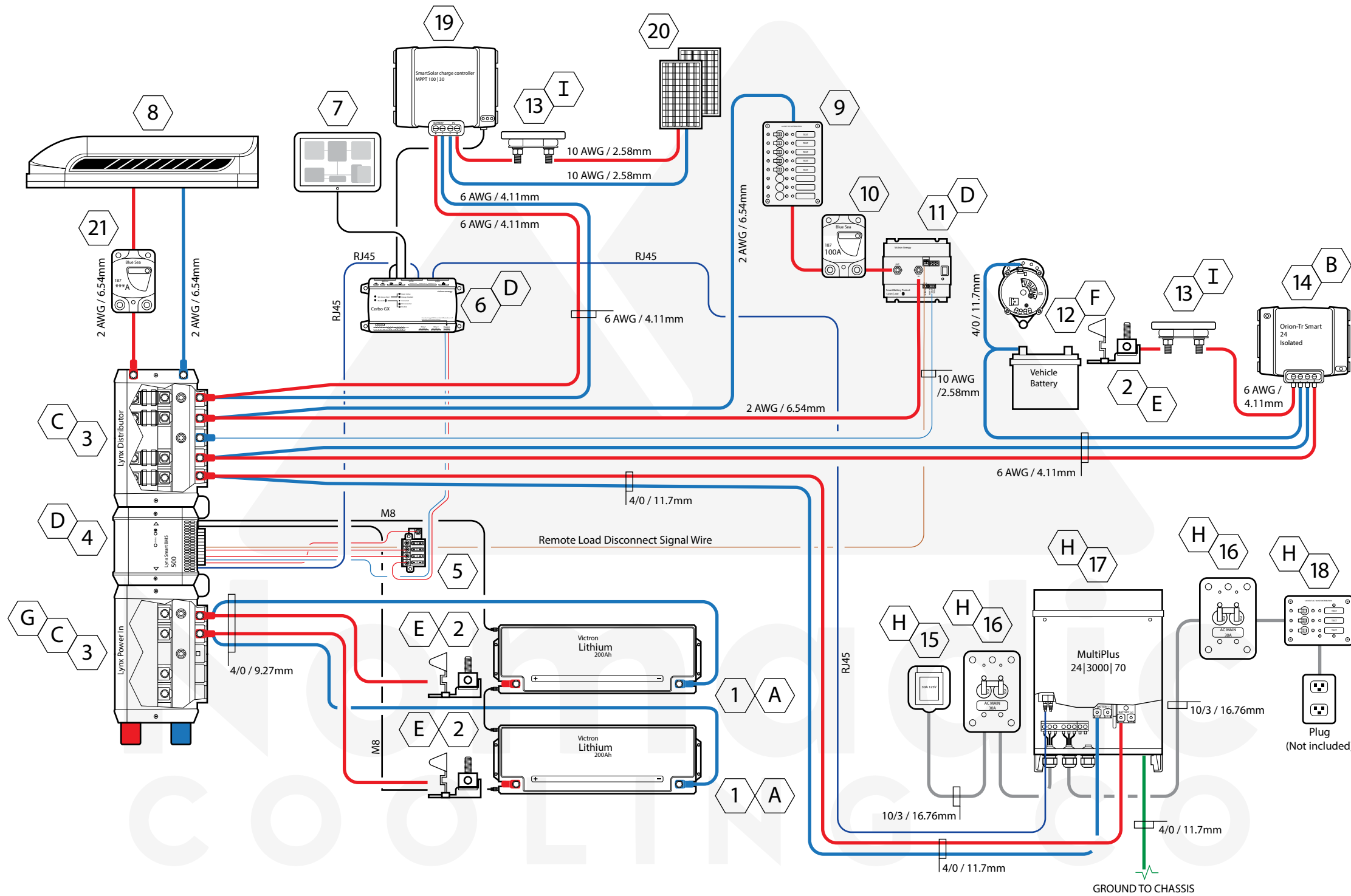


NOMAD 400ah

Electrical Wiring Diagram



WIRING DIAGRAM

DRAWING: NOT TO SCALE
COPYRIGHT ©2023 NOMADIC COOLING CO

DISCLAIMER:
Install at your own risk. This diagram is to be used as a guide. Your configuration may vary. Nomadic Cooling Co does not take responsibility for any errors that may occur during installation. Please consult with a professional for install.

NOMAD 24V 400AH

A1

LEGEND

- DIRECT CABLE
- POSITIVE (+)
- NEGATIVE (-)
- GROUND
- RJ 45
- REMOTE LOAD DISCONNECT

NOTES (X)

A. Keep all positive and negative battery cables the same length and as short as possible.

B. ORION TR SMART 12|12 - 30 **will become HOT.** Install in ventilated area.

C. See sheet A4.2 / 4.3 for detailed diagram.

D. See sheet A5.1 for detailed diagram.

E. Fuse block sits on positive (+) terminal post.

F. See sheet A6.1 for detailed diagram.

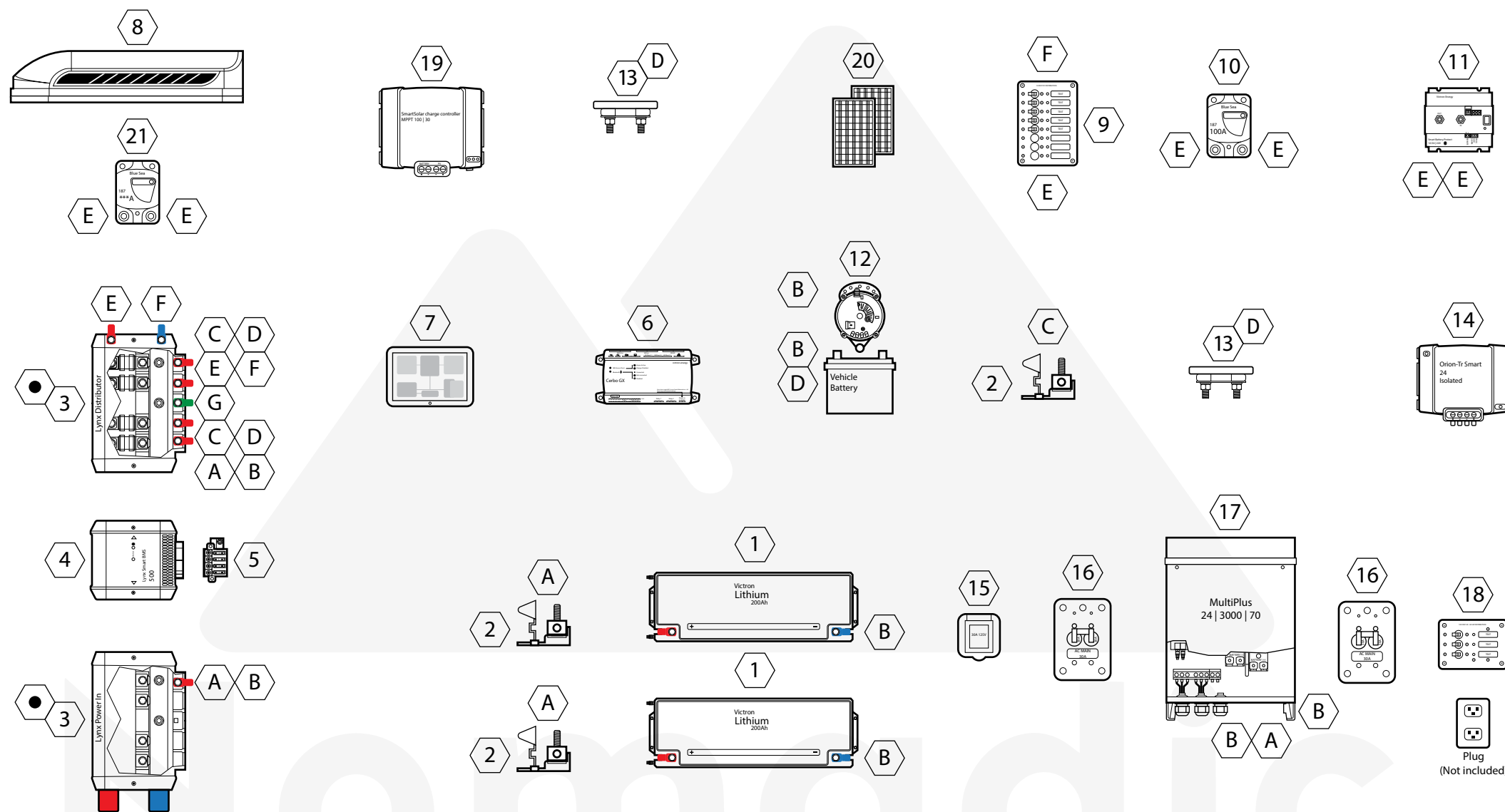
G. Lynx power in distributor.

H. See sheet A7.1 / 7.2 for detailed diagram.

I. Use corresponding breaker size for your solar requirements. 50A shown for 2 panels at 12.5A each.

COMPONENTS (#)

1. LITHIUM BATTERY	6. CERBO GX	12. POSITIVE TERMINAL POST STOCK BATTERY/ STOCK ALTERNATOR	16. 8077 AC MAIN	20. SOLAR ARRAY
2. TERMINAL FUSE BLOCK / MRBF TERMINAL FUSE 250A	7. GX TOUCH 50	13. MODULAR FUSE HOLDER	17. MULTIPLUS 12 3000 120	21. BLUE SEA 187 *80/120A
3. LYNX DISTRIBUTOR	8. NOMADIC AC 150 AMP	14. ORION TR SMART 24 ISOLATED	18. 8058 CIRCUIT BREAKER PANEL	
4. LYNX SMART BMS	9. DC PANEL 8 POS.	15. INLET 30A 125V	19. SMART SOLAR MPPT 100 30	
5. 4 ST BLADE FUSE PANEL	10. BLUE SEA 187 100A			
	11. SMART BATTERY PROTECT			



LUG SIZE and QUANTITY

Key	Lug : Wire	Qty.	Total Qty.
A	3/8" : + 4/0	5	13
B	3/8" : - 4/0	8	
C	5/16" : + 6 AWG	3	8
D	5/16" : - 6 AWG	5	
E	5/16" : + 2 AWG	9	10
F	5/16" : - 2 AWG	1	
G	5/16" : 10 AWG	1	

LUG PLACEMENT

DRAWING: NOT TO SCALE
COPYRIGHT ©2023 NOMADIC COOLING CO

DISCLAIMER:

Install at your own risk. This diagram is to be used as a guide. Your configuration may vary. Nomadic Cooling Co does not take responsibility for any errors that may occur during installation. Please consult with a professional for install.

NOMAD 24V 400AH

A3

LEGEND

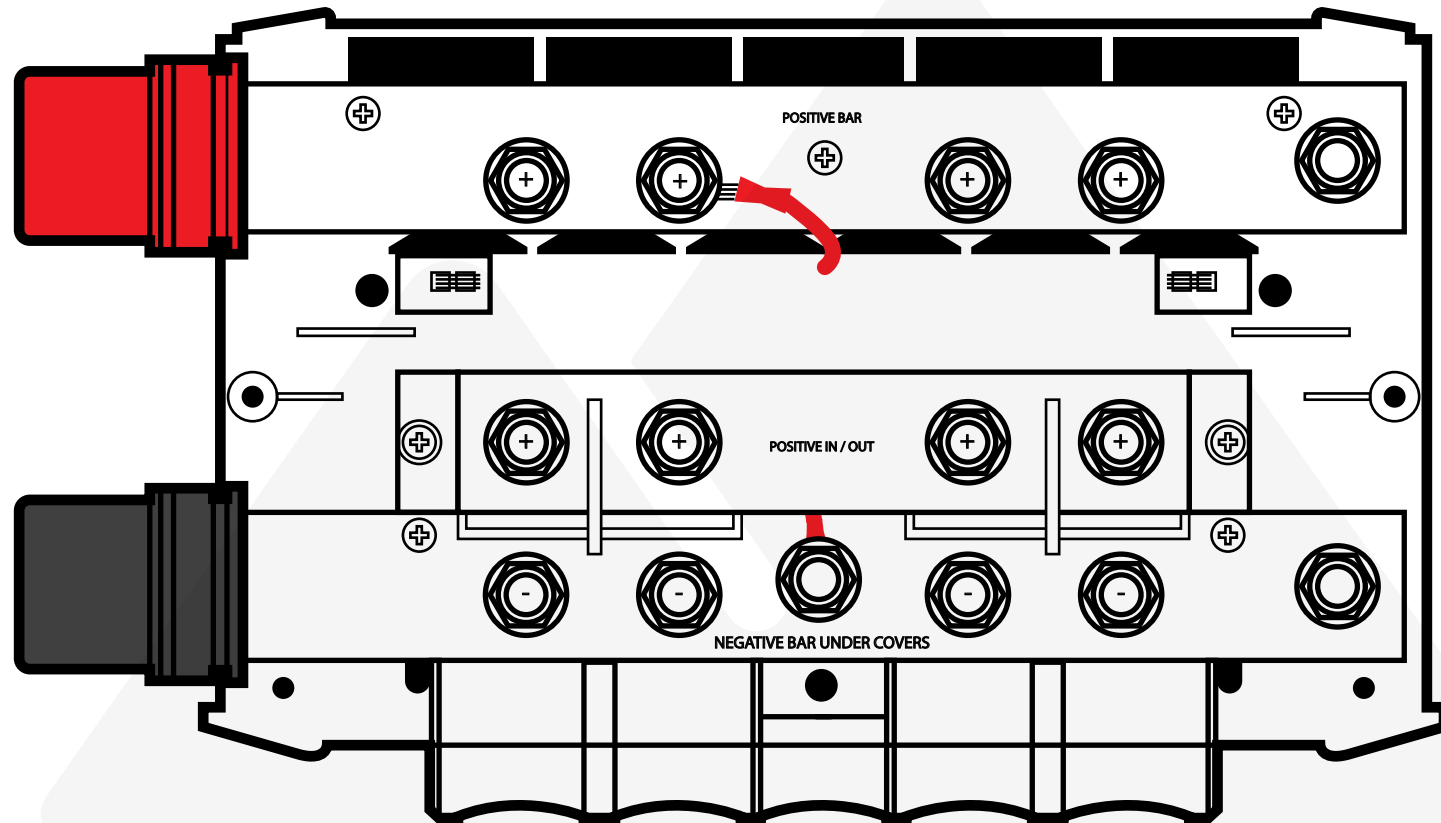
- POSITIVE (+)
- NEGATIVE (-)
- GROUND

NOTES

- See sheet A4.1/4.2 for detailed diagram.

COMPONENTS

- | | | | | |
|--------------------------------------------------|---------------------------|------------------------------------------------------------|--------------------------------|---------------------------|
| 1. LITHIUM BATTERY | 6. CERBO GX | 12. POSITIVE TERMINAL POST STOCK BATTERY/ STOCK ALTERNATOR | 16. 8077 AC MAIN | 20. SOLAR ARRAY |
| 2. TERMINAL FUSE BLOCK / MRBF TERMINAL FUSE 250A | 7. GX TOUCH 50 | 13. MODULAR FUSE HOLDER | 17. MULTIPLUS 24 3000 70 | 21. BLUE SEA 187 *80/120A |
| 3. LYNX DISTRIBUTOR | 8. NOMADIC AC 150 AMP | 14. ORION TR SMART 24 ISOLATED | 18. 8058 CIRCUIT BREAKER PANEL | |
| 4. LYNX SMART BMS | 9. DC PANEL 8 POS. | 15. INLET 30A 125V | 19. SMART SOLAR MPPT 100 30 | |
| 5. 4 ST BLADE FUSE PANEL | 10. BLUE SEA 187 100A | | | |
| | 11. SMART BATTERY PROTECT | | | |



All cables to Lynx Power In to be placed
POSITIVE ABOVE and NEGATIVE BELOW

LITHIUM BATTERY -
LITHIUM BATTERY +
LITHIUM BATTERY -
LITHIUM BATTERY +
E F E F

LUG SIZE and QUANTITY		
Key	Lug : Wire	Qty.
A	5/16" : + 2 AWG	2
B	5/16" : - 2 AWG	2

DRAWING: NOT TO SCALE
COPYRIGHT ©2023 NOMADIC COOLING CO

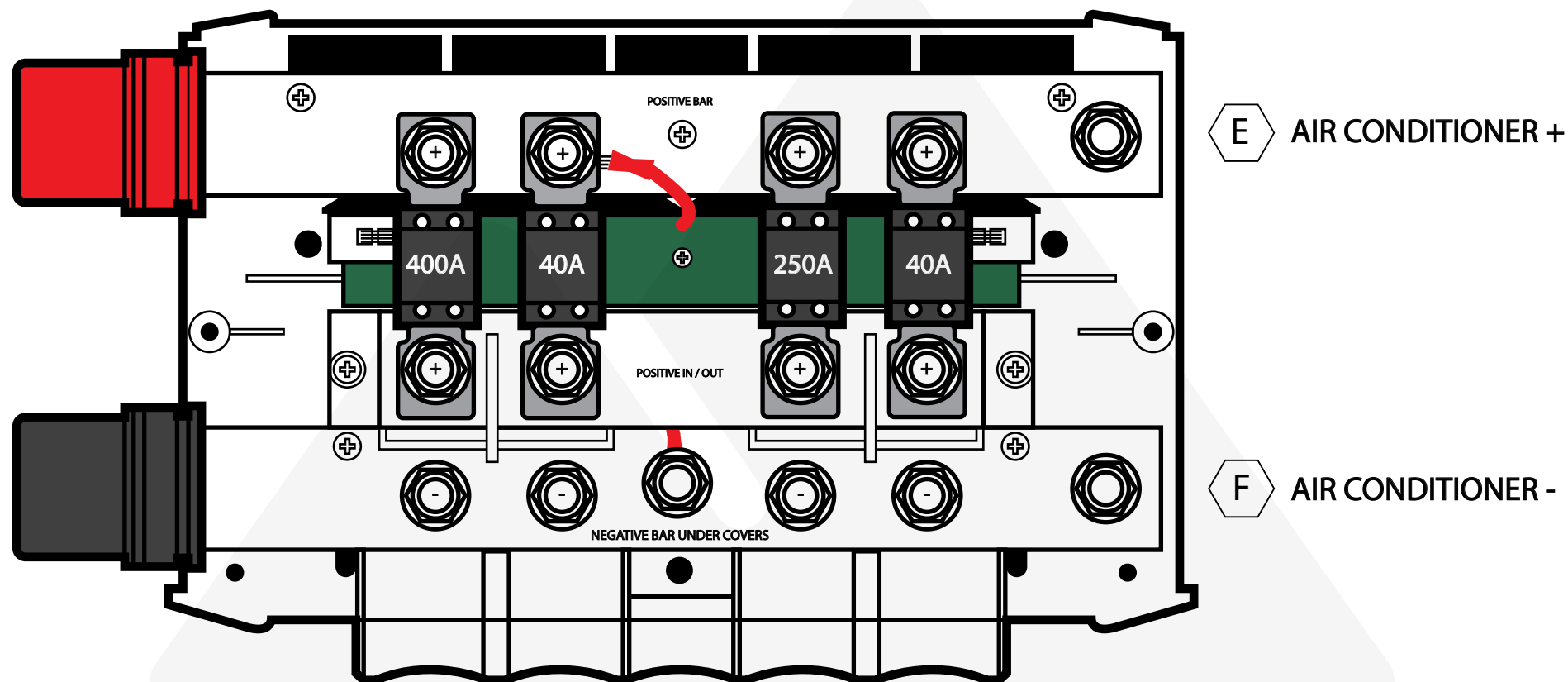
DISCLAIMER:

Install at your own risk. This diagram is to be used as a guide. Your configuration may vary. Nomadic Cooling Co does not take responsibility for any errors that may occur during installation. Please consult with a professional for install.

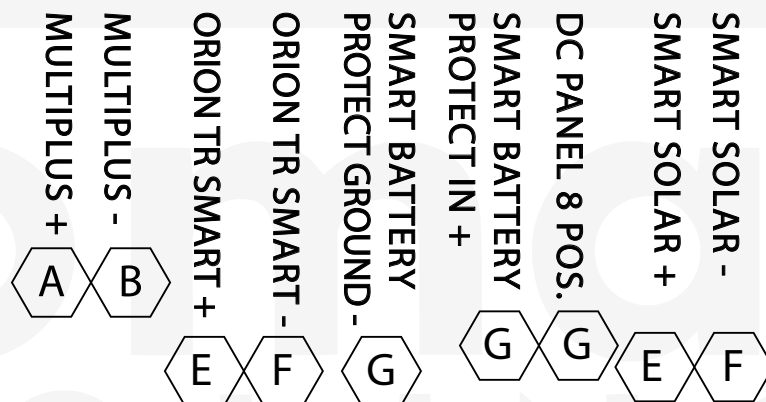
LYNX POWER IN

NOMAD 24V 400AH

A4.1



All cables to Lynx Distributor to be placed POSITIVE ABOVE and NEGATIVE BELOW



FUSE SIZES	
Component	Fuse Size
Multiplus	400A
Orion TR Smart Isolated	40A
Smart Battery Protect / DC panel 8 pos.	250A
Smart Solar	40A

*AIR CONDITIONER FUSE SIZE 12V UNITS			
AC Model	Blue Sea 187 Breaker	Fuse Size	Qty.
Dometic RTX 1000	80	80	1
Dometic RTX 2000	80	80	1
Indel B OFF	80	80	1
Nomadic X3	120	125	1

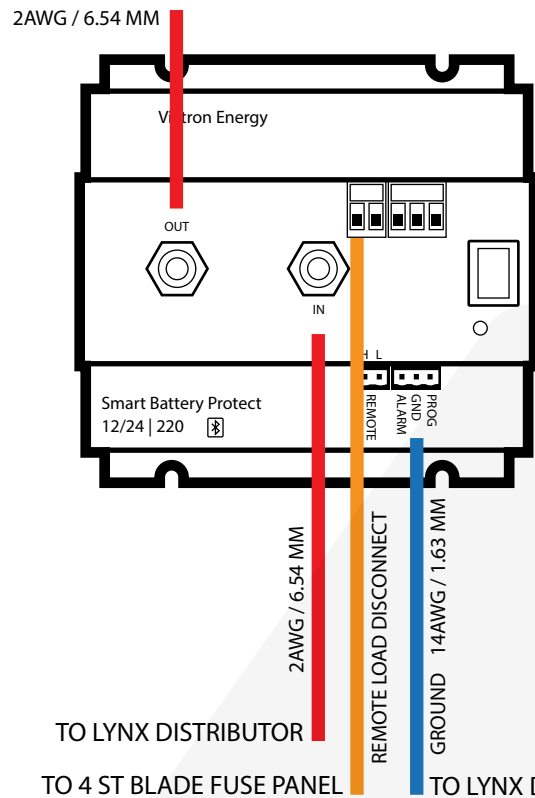
LUG SIZE and QUANTITY			
Key	Lug : Wire	Qty.	Total Qty.
A	3/8" : + 4/0	5	13
B	3/8" : - 4/0	8	
C	5/16" : + 6 AWG	3	8
D	5/16" : - 6 AWG	5	
E	5/16" : + 2 AWG	9	10
F	5/16" : - 2 AWG	1	
G	5/16" : 10 AWG	1	1

DRAWING: NOT TO SCALE
COPYRIGHT ©2023 NOMADIC COOLING CO

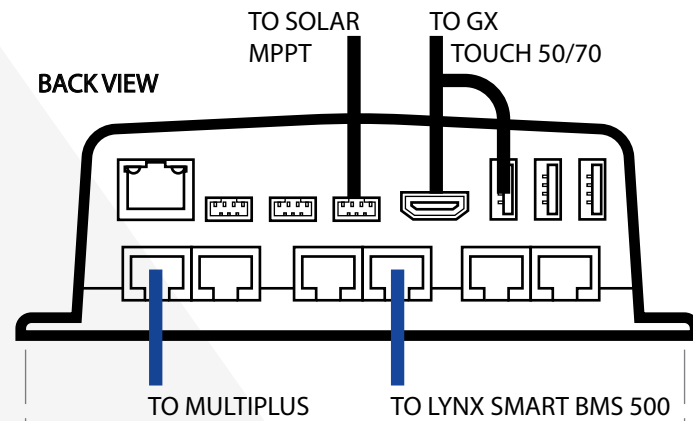
DISCLAIMER:

Install at your own risk. This diagram is to be used as a guide. Your configuration may vary. Nomadic Cooling Co does not take responsibility for any errors that may occur during installation. Please consult with a professional for install.

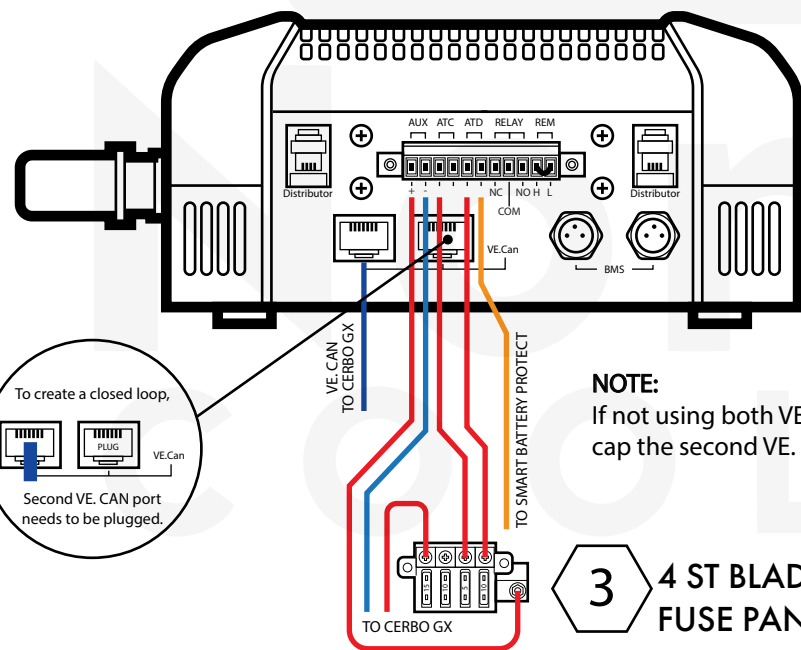
LYNX DISTRIBUTOR



1
SMART
BATTERY PROTECT



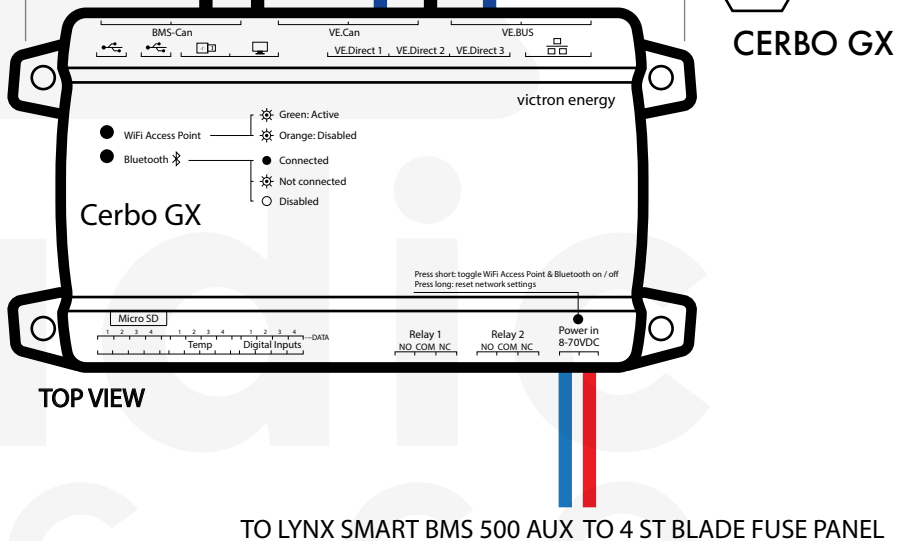
4
CERBO GX



2
LYNX SMART
BMS 500

NOTE:
If not using both VE. CAN ports, you must cap the second VE. CAN port.

3
4 ST BLADE
FUSE PANEL



NOTE:
If not using both VE. BUS / BMS CAN ports, you must cap the second VE. CAN port.

**CERBO GX / LYNX BMS 500 /
SMART BATTERY PROTECT**

NOMAD 24V 400AH

A5

LEGEND

- DIRECT CABLE
- POSITIVE (+)
- NEGATIVE (-)
- RJ 45
- REMOTE LOAD DISCONNECT

NOTES

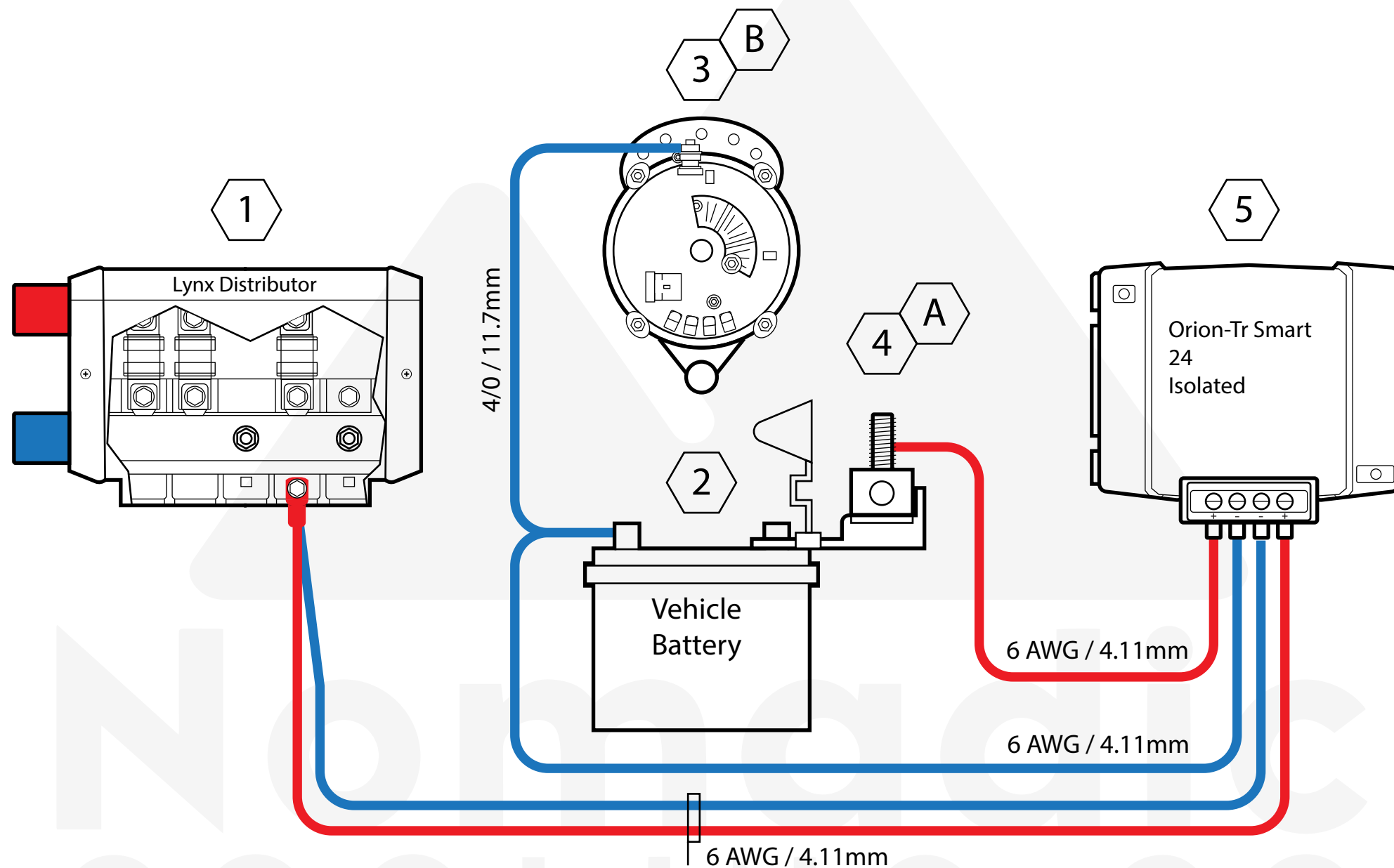
COMPONENTS

1. SMART BATTERY PROTECT
2. LYNX SMART BMS
3. 4 ST BLADE FUSE PANEL
4. CERBO GX

DRAWING: NOT TO SCALE
COPYRIGHT ©2023 NOMADIC COOLING CO

DISCLAIMER:

Install at your own risk. This diagram is to be used as a guide. Your configuration may vary. Nomadic Cooling Co does not take responsibility for any errors that may occur during installation. Please consult with a professional for install.



ORION-TR SMART ISOLATED

NOMAD 24V 400AH

A6

LEGEND

- POSITIVE
- NEGATIVE

NOTES X

- A. Terminal fuse block sits on positive battery terminal.
- B. 4/0 Negative cable from battery to negative post on stock alternator.

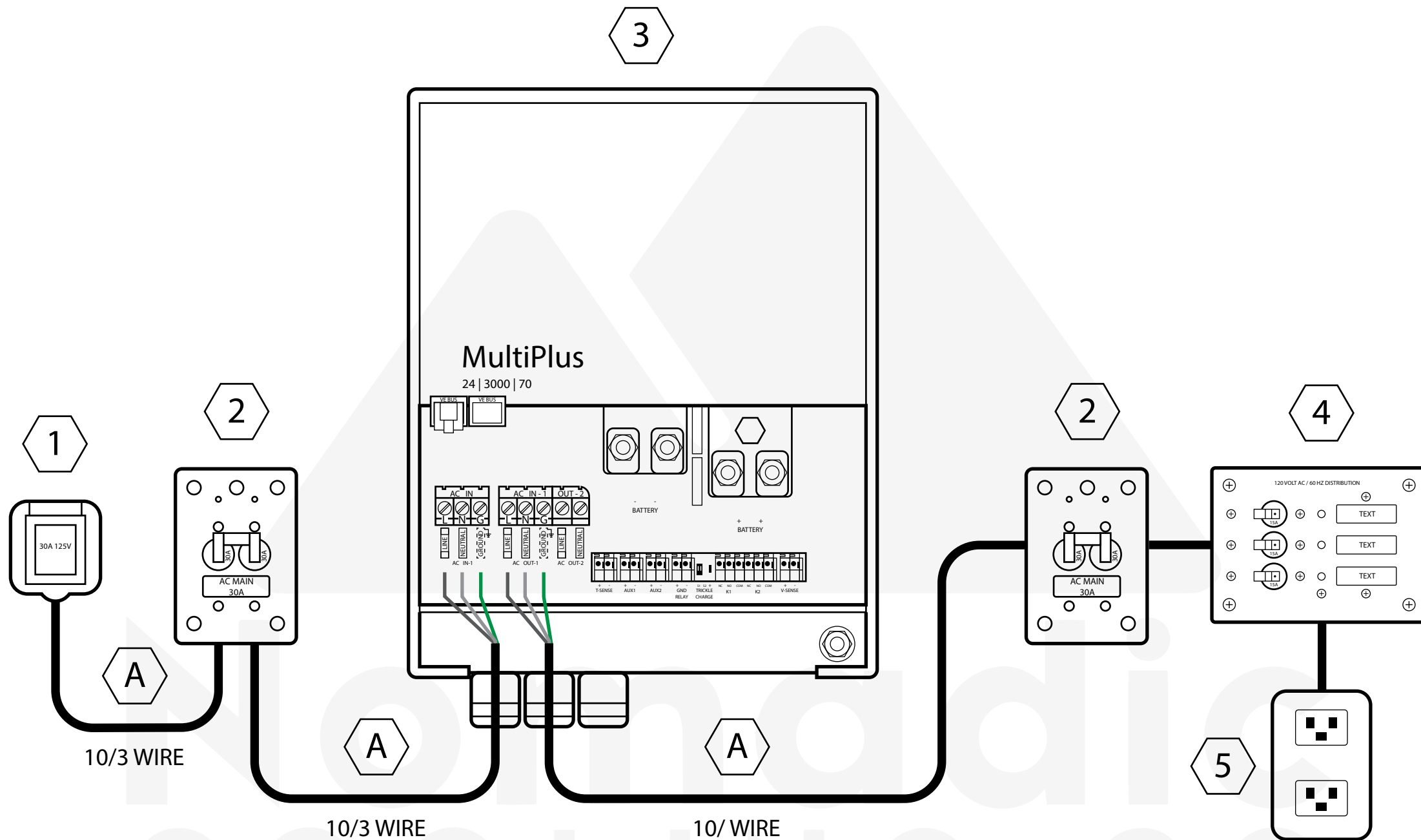
COMPONENTS

- | | |
|-----------------------------------------|--------------------------------------------------|
| 1. LYNX DISTRIBUTOR | 4. TERMINAL FUSE BLOCK / MRBF TERMINAL FUSE 250A |
| 2. POSITIVE TERMINAL POST STOCK BATTERY | 5. ORION TR SMART 12 12 30 ISOLATED |
| 3. STOCK ALTERNATOR | |

DRAWING: NOT TO SCALE
COPYRIGHT ©2023 NOMADIC COOLING CO

DISCLAIMER:

Install at your own risk. This diagram is to be used as a guide. Your configuration may vary. Nomadic Cooling Co does not take responsibility for any errors that may occur during installation. Please consult with a professional for install.

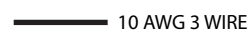



MULTIPLUS

NOMAD 24V 400AH

A7.1

LEGEND

-  10 AWG 3 WIRE
-  LINE
-  NEUTRAL
-  GROUND

NOTES X

A. Use 10AWG 3-wire braided wire.
Not Romex wire.

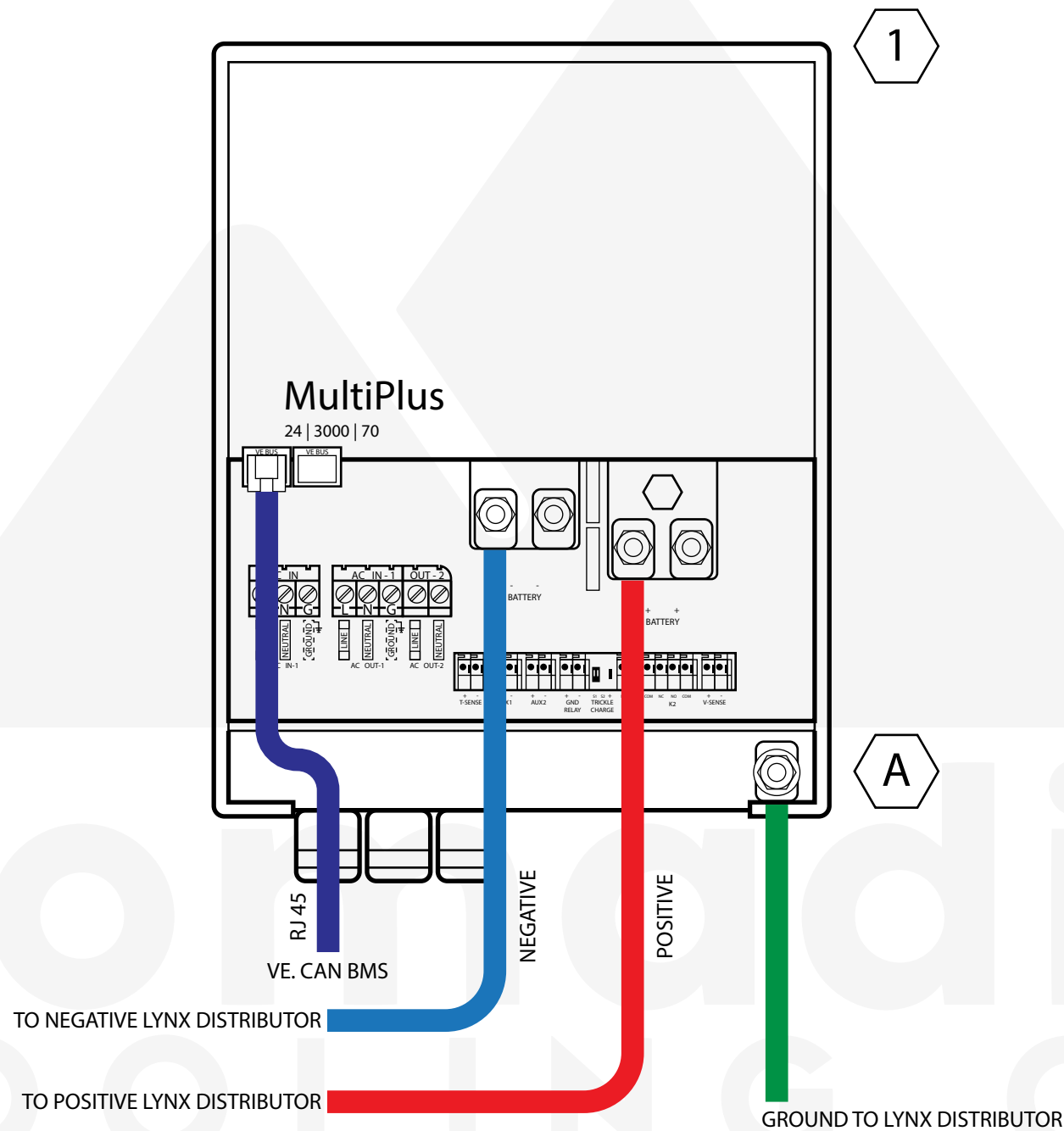
COMPONENTS

- | | |
|-----------------------------|----------------------------------------|
| 1. INLET 30A 125V | 4. 120V DISTRIBUTION SWITCH |
| 2. 8077 AC MAIN | 5. STANDARD PLUG (NOT INCLUDED IN KIT) |
| 3. MULTIPLUS 24 3000 70 | |

DRAWING: NOT TO SCALE
COPYRIGHT ©2023 NOMADIC COOLING CO

DISCLAIMER:

Install at your own risk. This diagram is to be used as a guide. Your configuration may vary. Nomadic Cooling Co does not take responsibility for any errors that may occur during installation. Please consult with a professional for install.



MULTIPLUS

NOMAD 24V 400AH

A7.2

LEGEND

- POSITIVE
- NEGATIVE
- VE. BUS
- GROUND

NOTES X

A. Ground point is in back on bottom of Multiplus.

COMPONENTS

1. MULTIPLUS
24 | 3000 | 70

DRAWING: NOT TO SCALE
COPYRIGHT ©2023 NOMADIC COOLING CO

DISCLAIMER:

Install at your own risk. This diagram is to be used as a guide. Your configuration may vary. Nomadic Cooling Co does not take responsibility for any errors that may occur during installation. Please consult with a professional for install.

PARTS LIST NOMAD 400Ah			
Key	Manufacturer	Product	Qty.
1	Victron	Lithium Battery 200Ah	2
2	Blue Sea	Terminal Fuse Block / Terminal Fuse 250A - 1 ea.	3
3	Victron	Lynx Distributor / Lynx Power In Distributor - 1 ea.	2
4	Victron	Lynx Smart BMS	1
5	Blue Sea	5045 ST Blade Fuse Panel	1
6	Victron	Cerbo GX	1
7	Victron	GX Touch 50 or 70	1
8	Nomadic / Dometic	Air Conditioner 150Amp - Customer Supplied, Not in kit	1
9	Blue Sea	8023 DC 8 Position Panel	1
10	Blue Sea	7148 Surface Mount 187 Circuit Breaker 100A DC	1
11	Victron	Smart Battery Protect 220A	1
12	-	Stock Battery - Customer Supplied, Not in kit	1
13	Victron	Modular Fuse Holder	2
14	Victron	Orion TR Smart 24 Isolated	1
15	Marinco	30Amp 125V RV Inlet	1
16	Blue Sea	8077 AC Panel Main 120VAC 30A	2
17	Victron	Multiplus 24 3000 70	1
18	Blue Sea	8058 Circuit Breaker Panel 120 VAC - 3 Breakers	1
19	Victron	Smart Solar MPPT 100 30	1
20	-	Solar Panels - Customer Supplied, Not in kit	1
21	Blue Sea	7039 Surface Mount 187 Circuit Breaker 80A or 120A DC	1

NOT ALL COMPONENTS IN KIT

FUSE SIZES	
Component	Fuse Size
Multiplus	400A
Orion	40A
Smart Battery Protect / DC panel 8 pos.	250A
Smart Solar	40A

NOT ALL COMPONENTS IN KIT

*AIR CONDITIONER FUSE SIZE 12V UNITS			
AC Model	Blue Sea 187 Breaker	Fuse Size	Qty.
Dometic RTX 1000	80	80	1
Dometic RTX 2000	80	80	1
Indel B OFF	80	80	1
Nomadic X3	120	125	1

NOT ALL COMPONENTS IN KIT

DRAWING: NOT TO SCALE

COPYRIGHT ©2023 NOMADIC COOLING CO

DISCLAIMER:

Install at your own risk. This diagram is to be used as a guide. Your configuration may vary. Nomadic Cooling Co does not take responsibility for any errors that may occur during installation. Please consult with a professional for install.

PARTS TABLES

NOMAD 24V 400AH

A9.1