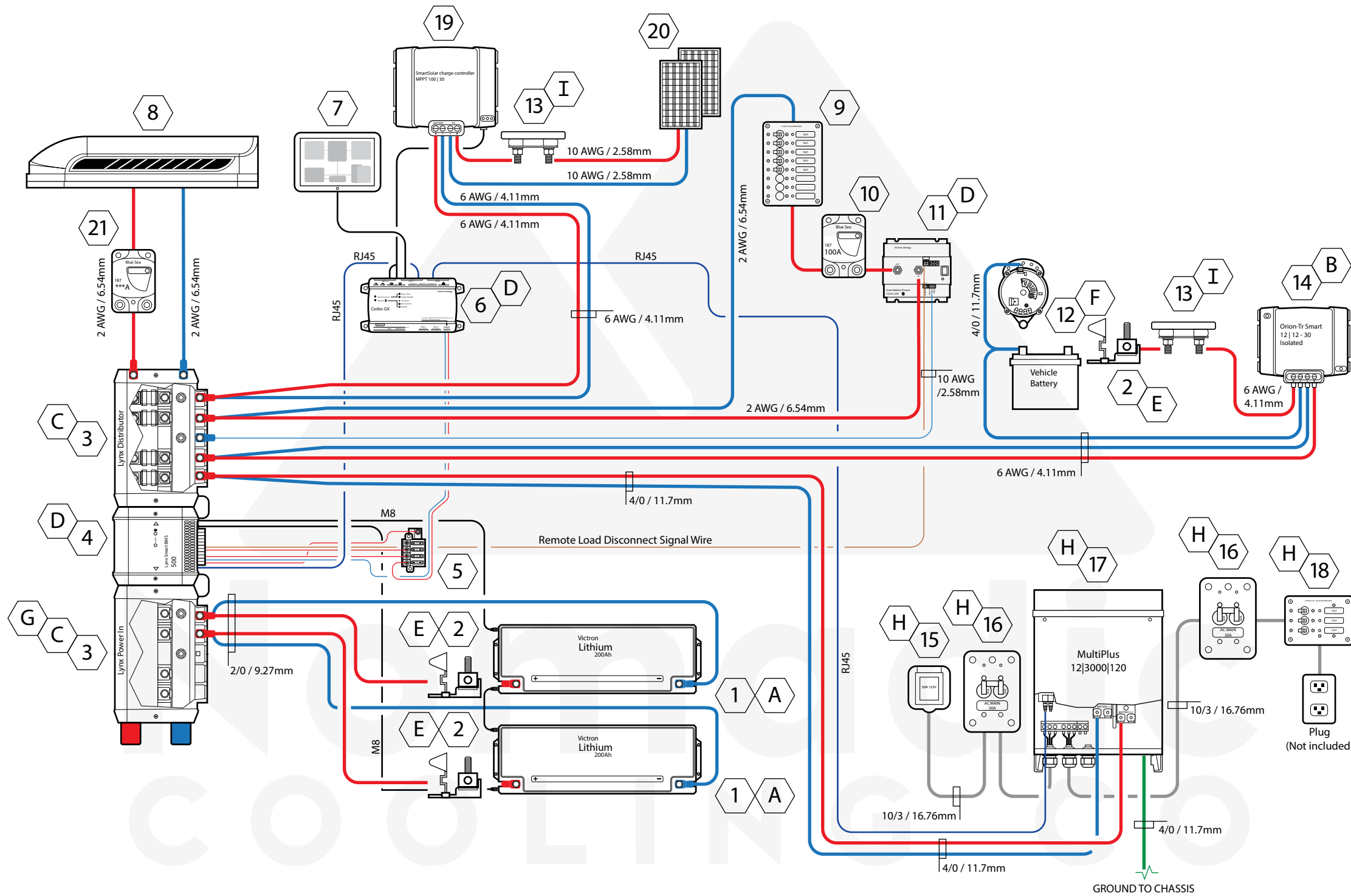


NOMAD 400ah

Electrical Wiring Diagram



WIRING DIAGRAM

DRAWING: NOT TO SCALE
COPYRIGHT ©2023 NOMADIC COOLING CO

DISCLAIMER:

Install at your own risk. This diagram is to be used as a guide. Your configuration may vary. Nomadic Cooling Co does not take responsibility for any errors that may occur during installation. Please consult with a professional for install.

NOMAD 12V 400AH

A1

LEGEND

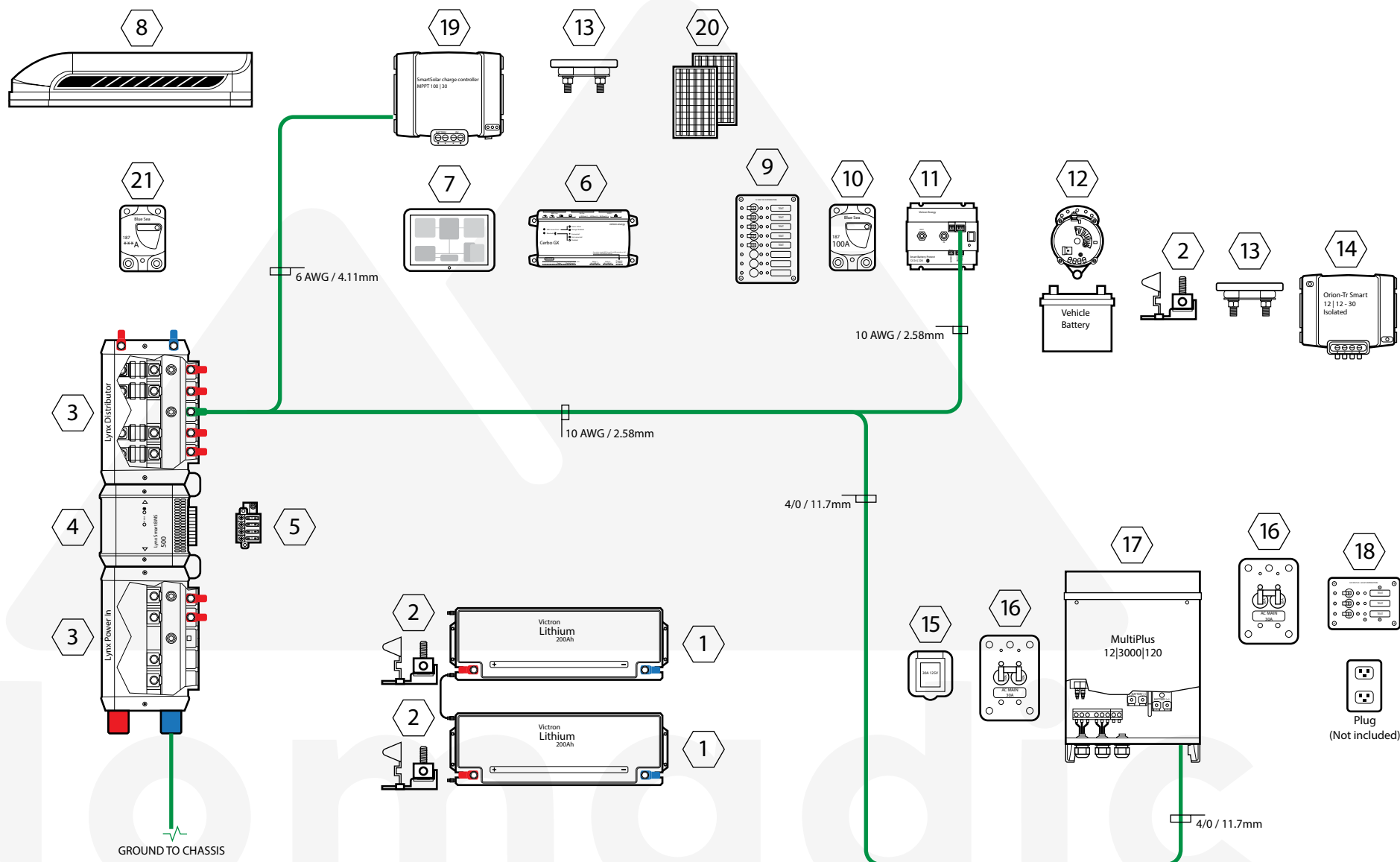
- DIRECT CABLE
- POSITIVE (+)
- NEGATIVE (-)
- GROUND
- RJ 45
- REMOTE LOAD DISCONNECT

NOTES X

- A. Keep all positive and negative battery cables the same length and as short as possible.
- B. ORION TR SMART 12|12 - 30 **will become HOT.** Install in ventilated area.
- C. See sheet A4.2 / 4.3 for detailed diagram.
- D. See sheet A5.1 for detailed diagram.
- E. Fuse block sits on positive (+) terminal post.
- F. See sheet A6.1 for detailed diagram.
- G. Lynx power in distributor.
- H. See sheet A7.1 / 7.2 for detailed diagram.
- I. Use corresponding breaker size for your solar requirements. 50A shown for 2 panels at 12.5A each.

COMPONENTS

- | | | | | |
|--|---------------------------|--|--------------------------------|---------------------------|
| 1. LITHIUM BATTERY | 6. CERBO GX | 12. POSITIVE TERMINAL POST STOCK BATTERY/ STOCK ALTERNATOR | 16. 8077 AC MAIN | 20. SOLAR ARRAY |
| 2. TERMINAL FUSE BLOCK / MRBF TERMINAL FUSE 250A | 7. GX TOUCH 50 | 13. MODULAR FUSE HOLDER | 17. MULTIPLUS 12 3000 120 | 21. BLUE SEA 187 *80/120A |
| 3. LYNX DISTRIBUTOR | 8. NOMADIC AC 150 AMP | 14. ORION TR SMART 12 12 30 ISOLATED | 18. 8058 CIRCUIT BREAKER PANEL | |
| 4. LYNX SMART BMS | 9. DC PANEL 8 POS. | 15. INLET 30A 125V | 19. SMART SOLAR MPPT 100 30 | |
| 5. 4 ST BLADE FUSE PANEL | 10. BLUE SEA 187 100A | | | |
| | 11. SMART BATTERY PROTECT | | | |



GROUND WIRING DIAGRAM

DRAWING: NOT TO SCALE
COPYRIGHT ©2023 NOMADIC COOLING CO

DISCLAIMER:

Install at your own risk. This diagram is to be used as a guide. Your configuration may vary. Nomadic Cooling Co does not take responsibility for any errors that may occur during installation. Please consult with a professional for install.

NOMAD 12V 400AH

A2

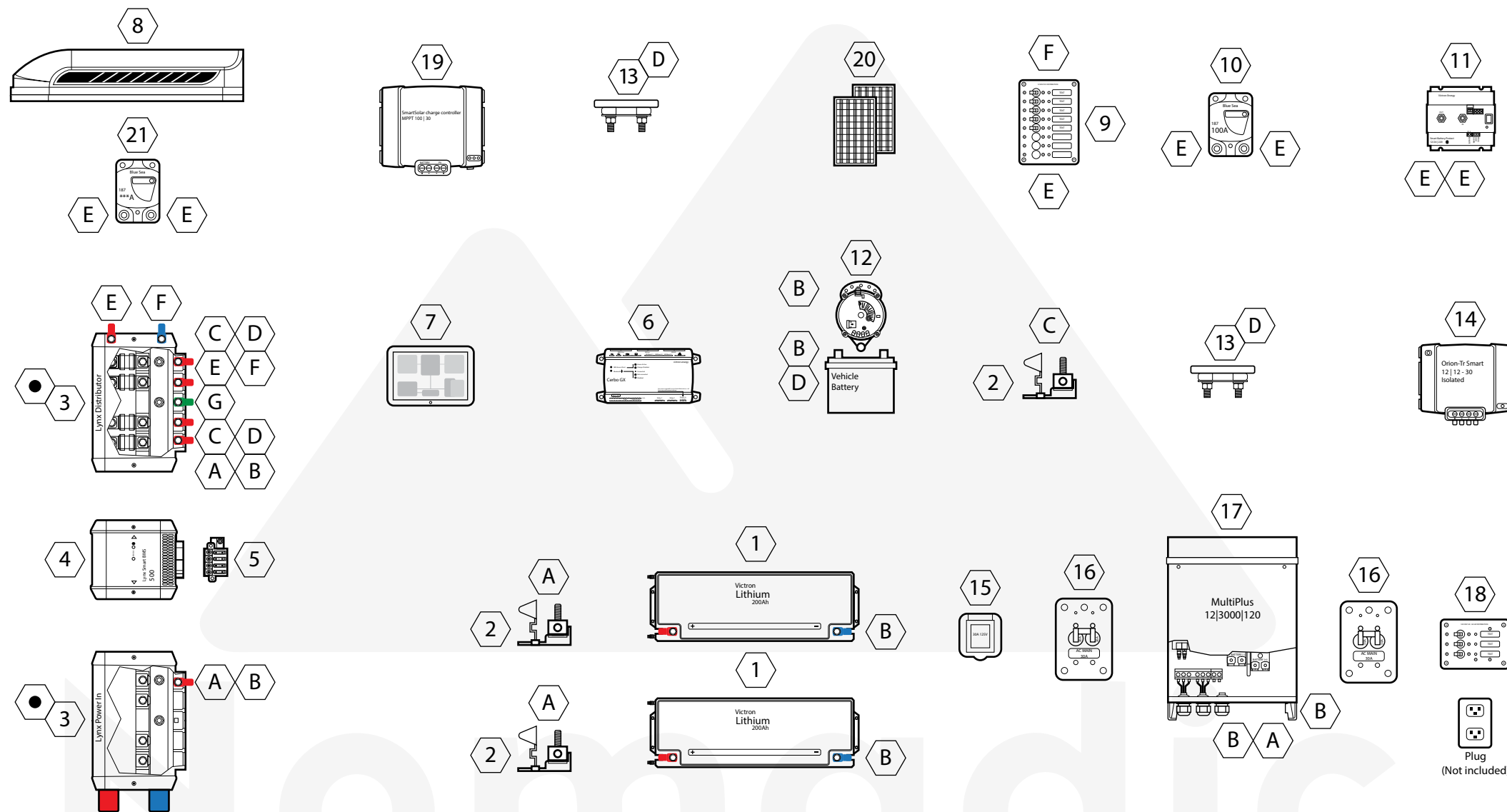
LEGEND

GROUND

NOTES X

COMPONENTS

- | | | | | |
|--|-----------------------|--|--------------------------------|---------------------------|
| 1. LITHIUM BATTERY | 6. CERBO GX | 12. POSITIVE TERMINAL POST STOCK BATTERY/ STOCK ALTERNATOR | 16. 8077 AC MAIN | 20. SOLAR ARRAY |
| 2. TERMINAL FUSE BLOCK / MRBF TERMINAL FUSE 250A | 7. GX TOUCH 50 | 13. MODULAR FUSE HOLDER | 17. MULTIPLUS 12 3000 120 | 21. BLUE SEA 187 *80/120A |
| 3. LYNX DISTRIBUTOR | 8. NOMADIC AC 150 AMP | 14. ORION TR SMART 12 12 30 ISOLATED | 18. 8058 CIRCUIT BREAKER PANEL | |
| 4. LYNX SMART BMS | 9. DC PANEL 8 POS. | 15. INLET 30A 125V | 19. SMART SOLAR MPPT 100 30 | |
| 5. 4 ST BLADE FUSE PANEL | 10. BLUE SEA 187 100A | | | |



LUG SIZE and QUANTITY

Key	Lug : Wire	Qty.	Total Qty.
A	3/8" : + 4/0	5	13
B	3/8" : - 4/0	8	
C	5/16" : + 6 AWG	3	8
D	5/16" : - 6 AWG	5	
E	5/16" : + 2 AWG	9	10
F	5/16" : - 2 AWG	1	
G	5/16" : 10 AWG	1	

LUG PLACEMENT

DRAWING: NOT TO SCALE
COPYRIGHT ©2023 NOMADIC COOLING CO

DISCLAIMER:

Install at your own risk. This diagram is to be used as a guide. Your configuration may vary. Nomadic Cooling Co does not take responsibility for any errors that may occur during installation. Please consult with a professional for install.

NOMAD 12V 400AH

A3

LEGEND

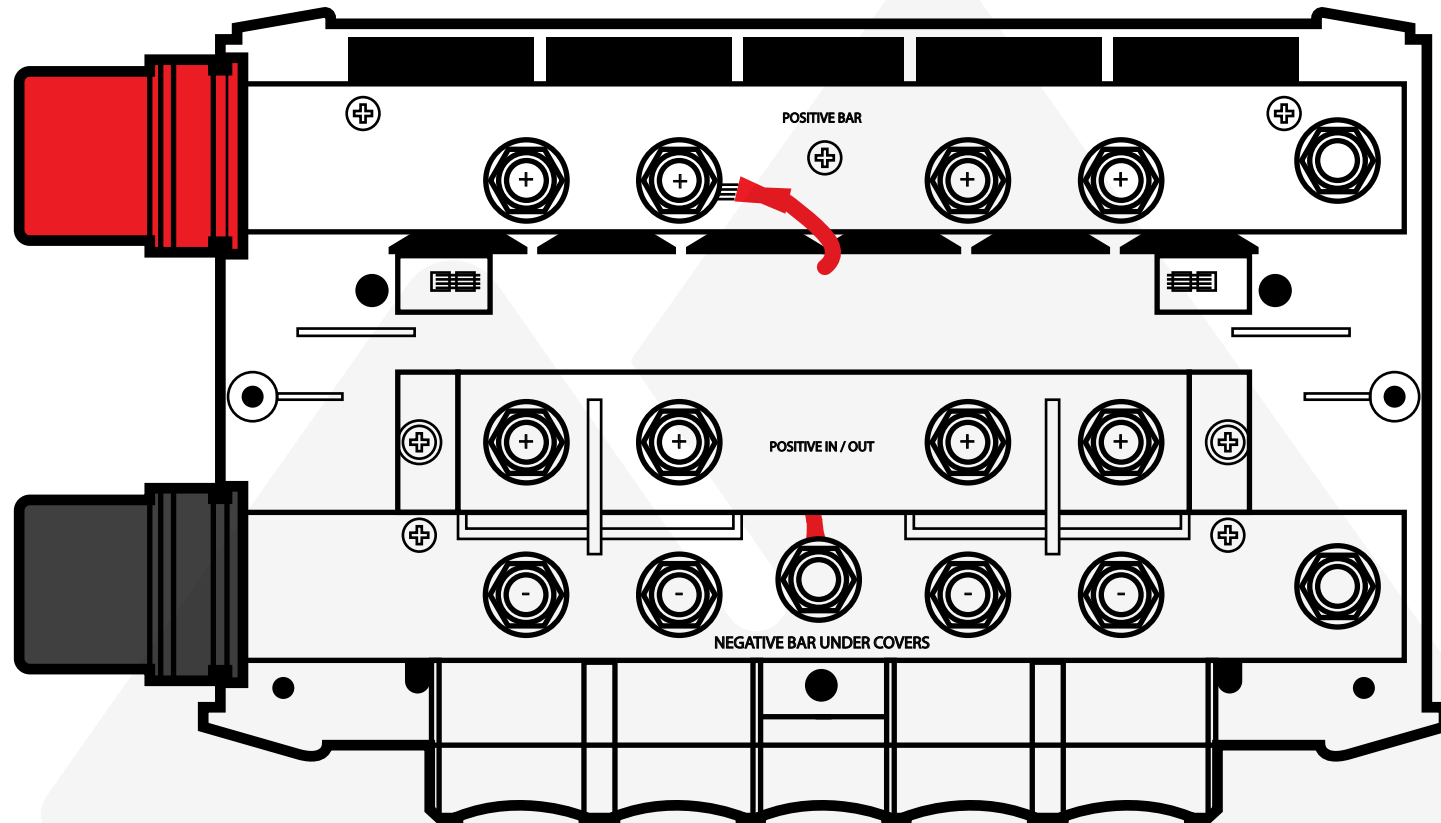
- POSITIVE (+)
- NEGATIVE (-)
- GROUND

NOTES

- See sheet A4.1/4.2 for detailed diagram.

COMPONENTS

- | | | | | |
|--|---------------------------|--|--------------------------------|---------------------------|
| 1. LITHIUM BATTERY | 6. CERBO GX | 12. POSITIVE TERMINAL POST STOCK BATTERY/ STOCK ALTERNATOR | 16. 8077 AC MAIN | 20. SOLAR ARRAY |
| 2. TERMINAL FUSE BLOCK / MRBF TERMINAL FUSE 250A | 7. GX TOUCH 50 | 13. MODULAR FUSE HOLDER | 17. MULTIPLUS 12 3000 120 | 21. BLUE SEA 187 *80/120A |
| 3. LYNX DISTRIBUTOR | 8. NOMADIC AC 150 AMP | 14. ORION TR SMART 12 12 30 ISOLATED | 18. 8058 CIRCUIT BREAKER PANEL | |
| 4. LYNX SMART BMS | 9. DC PANEL 8 POS. | 15. INLET 30A 125V | 19. SMART SOLAR MPPT 100 30 | |
| 5. 4 ST BLADE FUSE PANEL | 10. BLUE SEA 187 100A | | | |
| | 11. SMART BATTERY PROTECT | | | |



All cables to Lynx Power In to be placed
POSITIVE ABOVE and NEGATIVE BELOW

LITHIUM BATTERY -
LITHIUM BATTERY -
LITHIUM BATTERY +
LITHIUM BATTERY +
E F E F

LUG SIZE and QUANTITY		
Key	Lug : Wire	Qty.
A	5/16" : + 2 AWG	2
B	5/16" : - 2 AWG	2

LYNX DISTRIBUTOR

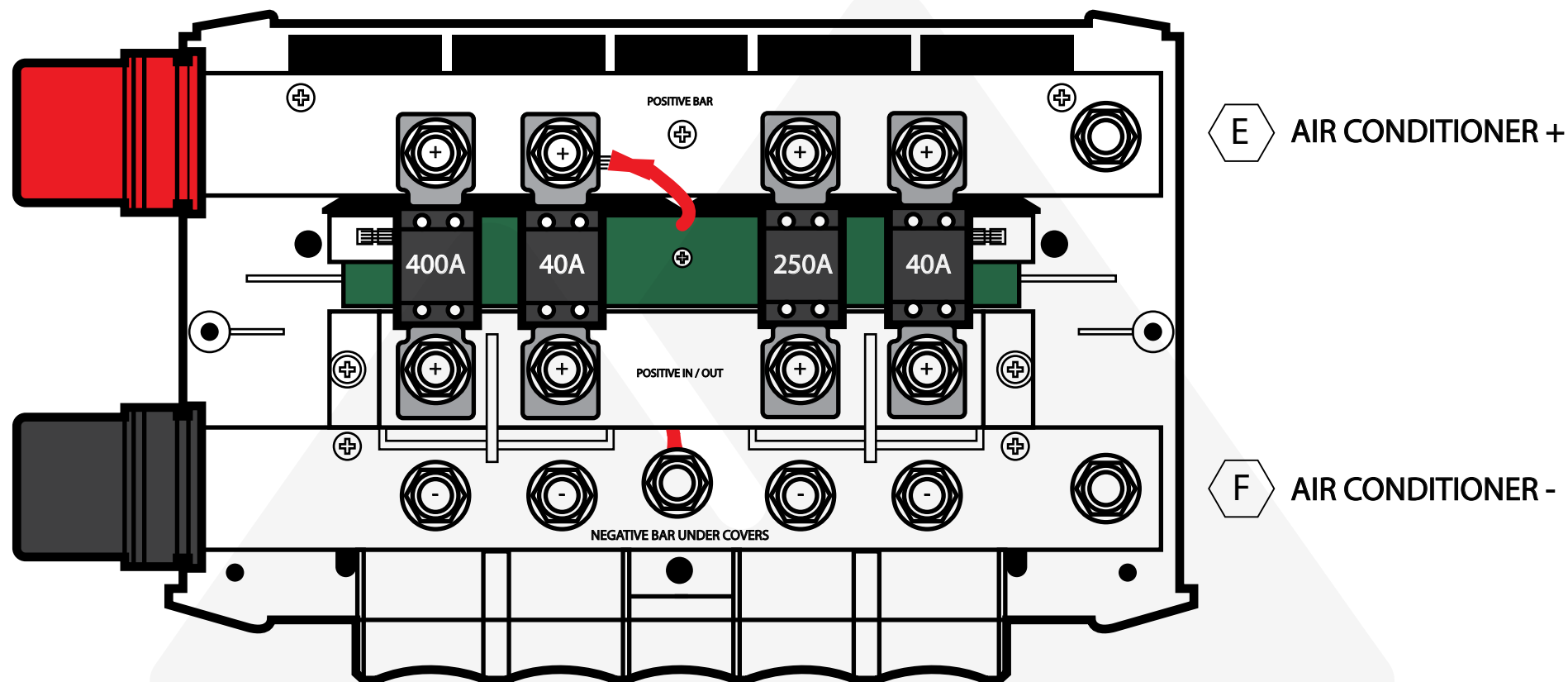
NOMAD 12V 400AH

A4.1

DRAWING: NOT TO SCALE
COPYRIGHT ©2023 NOMADIC COOLING CO

DISCLAIMER:

Install at your own risk. This diagram is to be used as a guide. Your configuration may vary. Nomadic Cooling Co does not take responsibility for any errors that may occur during installation. Please consult with a professional for install.



All cables to Lynx Distributor to be placed POSITIVE ABOVE and NEGATIVE BELOW

- MULTIPLUS + (A)
- MULTIPLUS - (B)
- ORION TR SMART + (E)
- ORION TR SMART - (F)
- SMART BATTERY PROTECT GROUND - (G)
- SMART BATTERY PROTECT IN + (G)
- DC PANEL 8 POS. (G)
- SMART BATTERY (G)
- SMART SOLAR + (E)
- SMART SOLAR - (F)

FUSE SIZES	
Component	Fuse Size
Multiplus	400A
Orion TR Smart Isolated	40A
Smart Battery Protect / DC panel 8 pos.	250A
Smart Solar	40A

*AIR CONDITIONER FUSE SIZE 12V UNITS			
AC Model	Blue Sea 187 Breaker	Fuse Size	Qty.
Dometic RTX 1000	80	80	1
Dometic RTX 2000	80	80	1
Indel B OFF	80	80	1
Nomadic X3	120	125	1

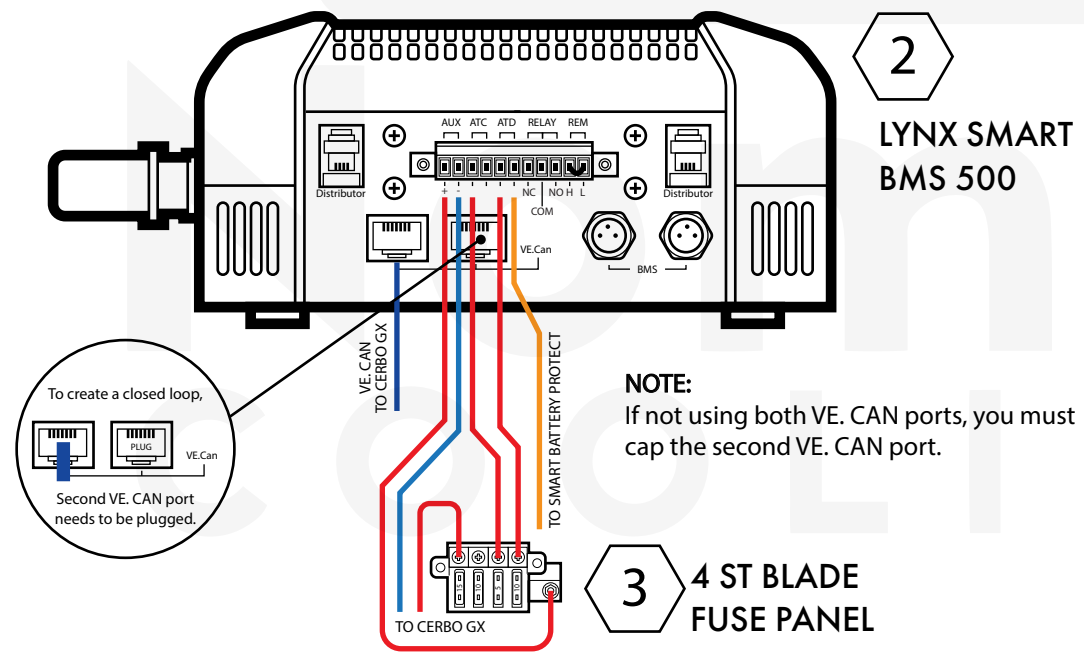
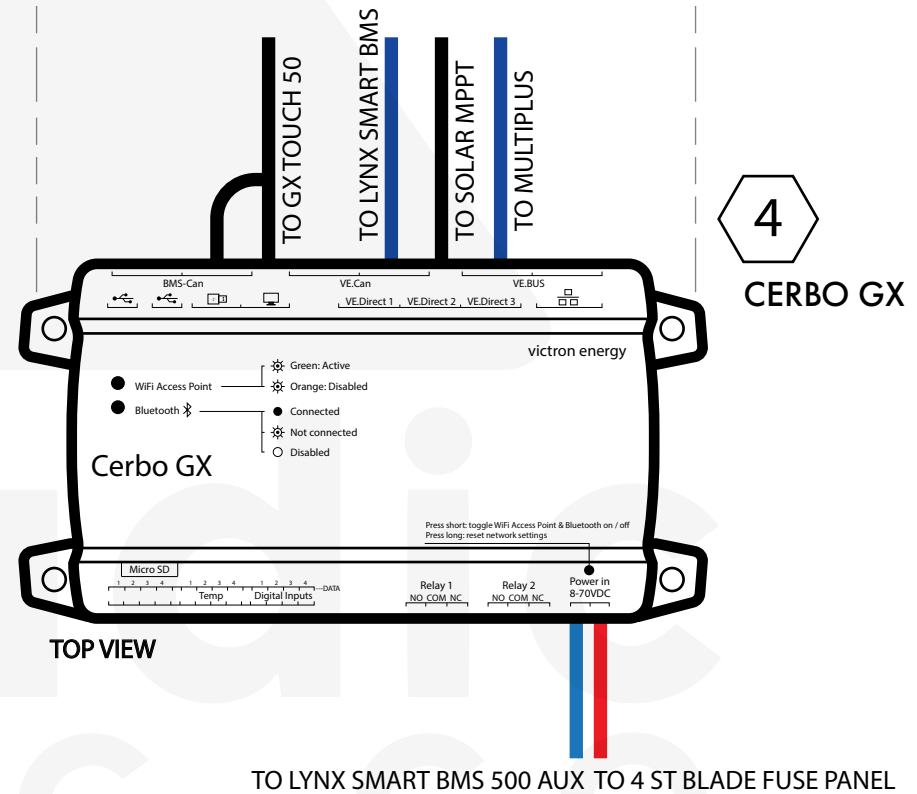
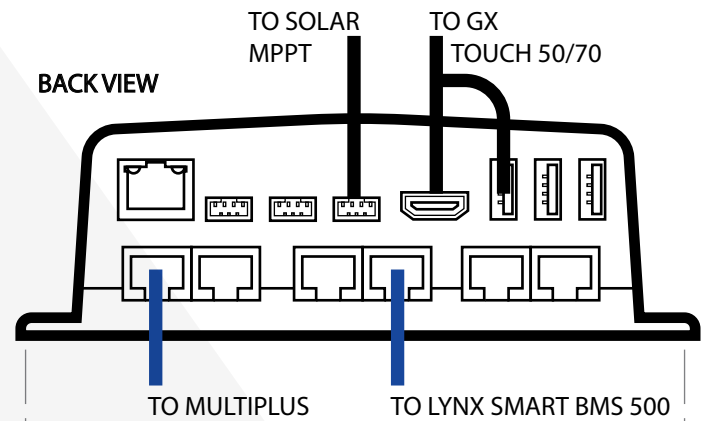
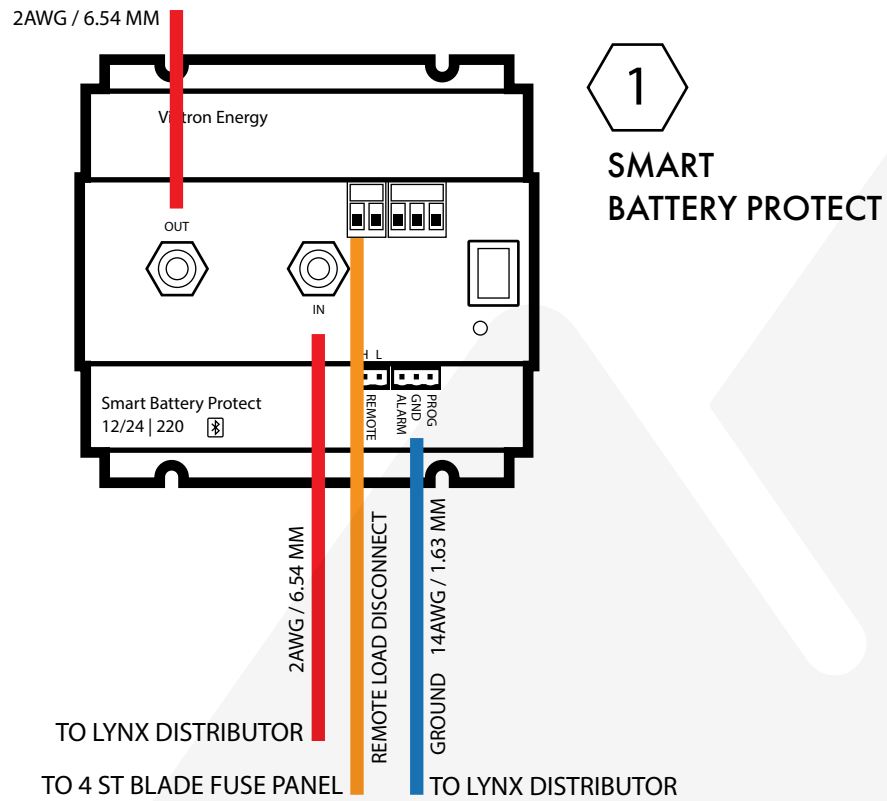
LUG SIZE and QUANTITY			
Key	Lug : Wire	Qty.	Total Qty.
A	3/8" : + 4/0	5	13
B	3/8" : - 4/0	8	
C	5/16" : + 6 AWG	3	8
D	5/16" : - 6 AWG	5	
E	5/16" : + 2 AWG	9	10
F	5/16" : - 2 AWG	1	
G	5/16" : 10 AWG	1	1

DRAWING: NOT TO SCALE
COPYRIGHT ©2023 NOMADIC COOLING CO

DISCLAIMER:

Install at your own risk. This diagram is to be used as a guide. Your configuration may vary. Nomadic Cooling Co does not take responsibility for any errors that may occur during installation. Please consult with a professional for install.

LYNX DISTRIBUTOR



NOTE:
If not using both VE. BUS / BMS CAN ports, you must cap the second VE. CAN port.

CERBO GX / LYNX BMS 500 / SMART BATTERY PROTECT

NOMAD 12V 400AH

A5

LEGEND

- DIRECT CABLE
- POSITIVE (+)
- NEGATIVE (-)
- RJ 45
- REMOTE LOAD DISCONNECT

NOTES X

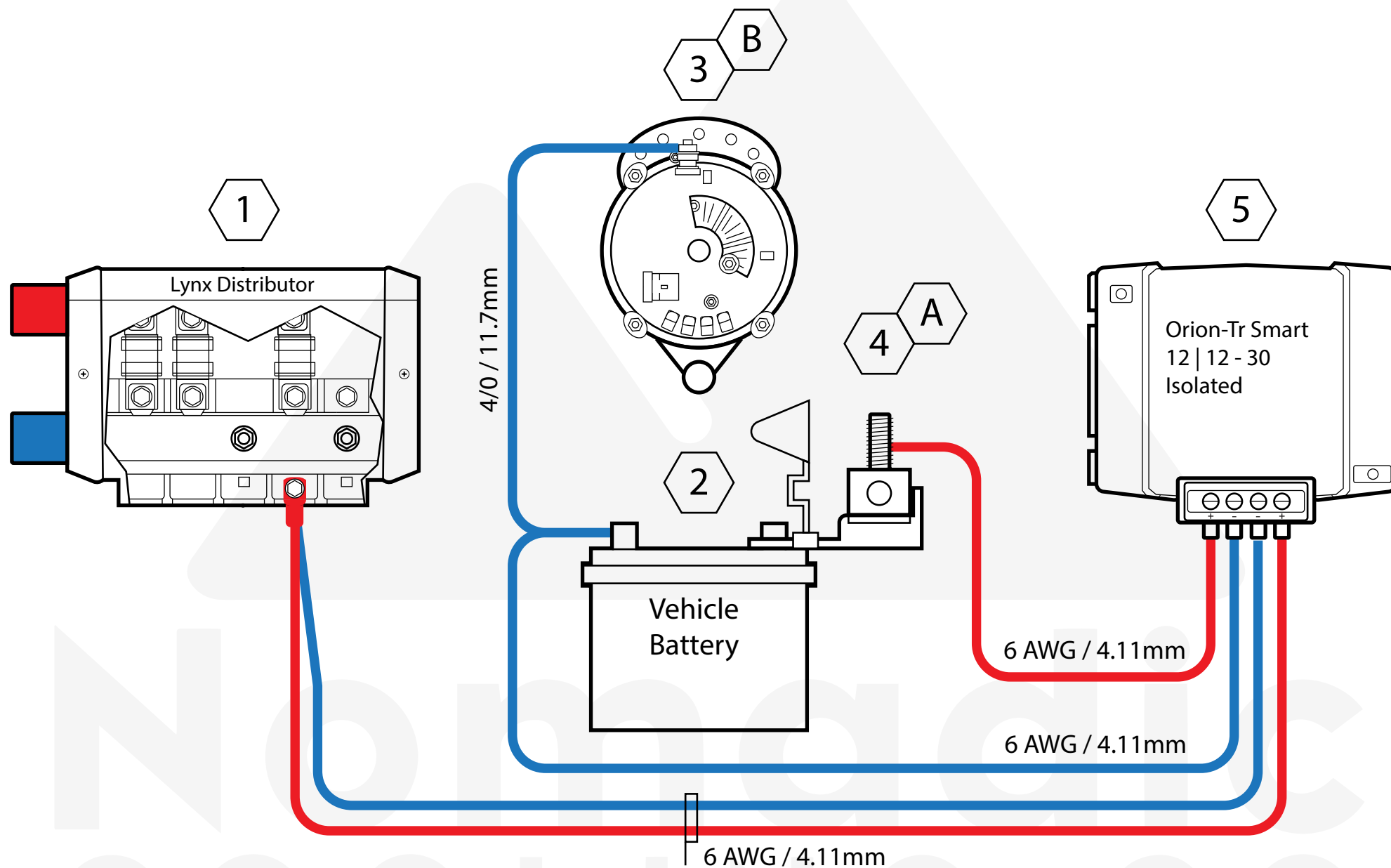
COMPONENTS

1. SMART BATTERY PROTECT
2. LYNX SMART BMS
3. 4 ST BLADE FUSE PANEL
4. CERBO GX

DRAWING: NOT TO SCALE
COPYRIGHT ©2023 NOMADIC COOLING CO

DISCLAIMER:

Install at your own risk. This diagram is to be used as a guide. Your configuration may vary. Nomadic Cooling Co does not take responsibility for any errors that may occur during installation. Please consult with a professional for install.



ORION-TR SMART ISOLATED

NOMAD 12V 400AH

A6

LEGEND

- POSITIVE
- NEGATIVE

NOTES X

- A. Terminal fuse block sits on positive battery terminal.
- B. 4/0 Negative cable from battery to negative post on stock alternator.

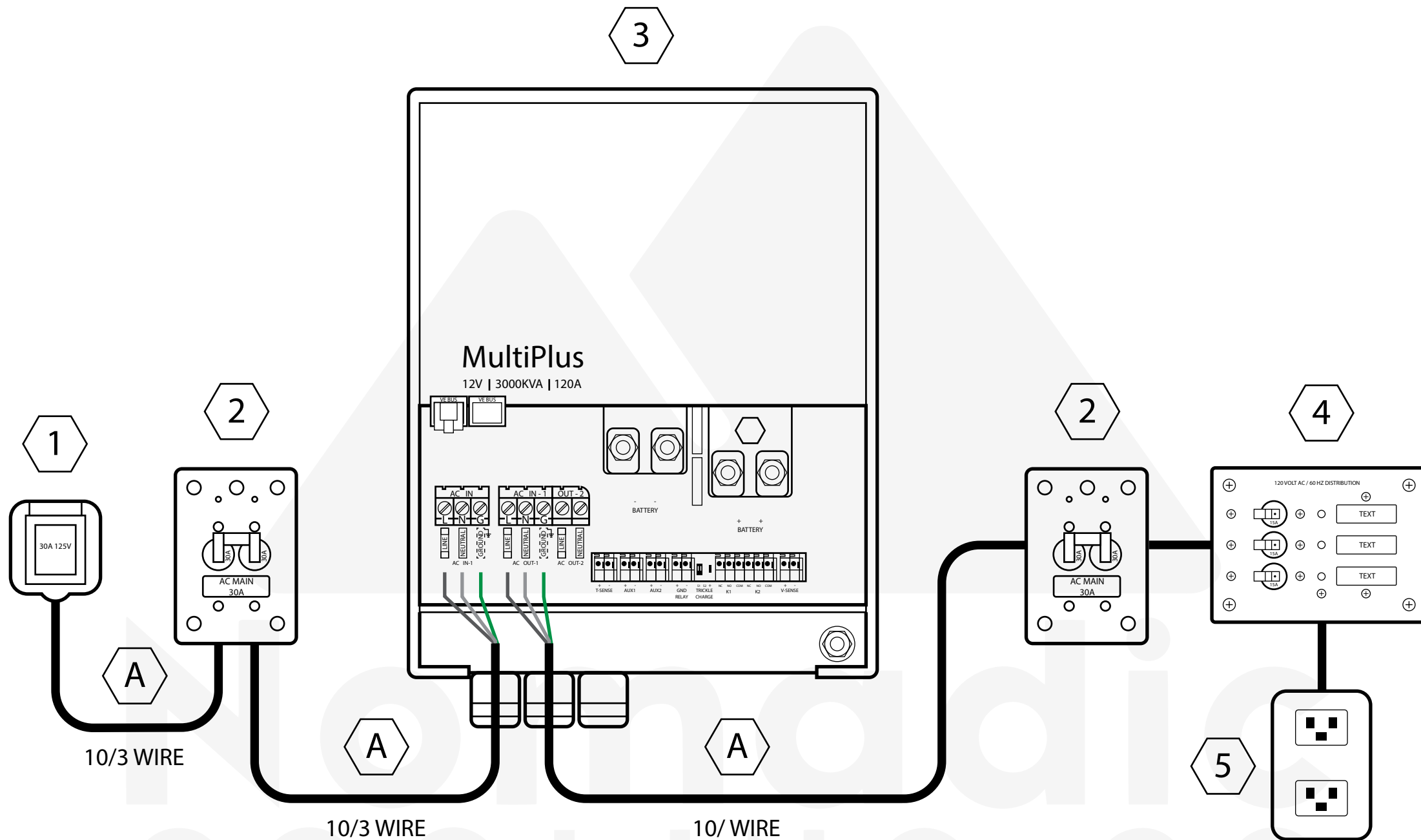
COMPONENTS

- | | |
|---|--|
| 1. LYNX DISTRIBUTOR | 4. TERMINAL FUSE BLOCK / MRBF TERMINAL FUSE 250A |
| 2. POSITIVE TERMINAL POST STOCK BATTERY | 5. ORION TR SMART 12 12 30 ISOLATED |
| 3. STOCK ALTERNATOR | |

DRAWING: NOT TO SCALE
COPYRIGHT ©2023 NOMADIC COOLING CO

DISCLAIMER:

Install at your own risk. This diagram is to be used as a guide. Your configuration may vary. Nomadic Cooling Co does not take responsibility for any errors that may occur during installation. Please consult with a professional for install.

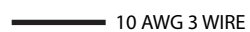





MULTIPLUS

NOMAD 12V 400AH

A7.1

LEGEND

-  10 AWG 3 WIRE
-  LINE
-  NEUTRAL
-  GROUND

NOTES X

A. Use 10AWG 3-wire braided wire.
Not Romex wire.

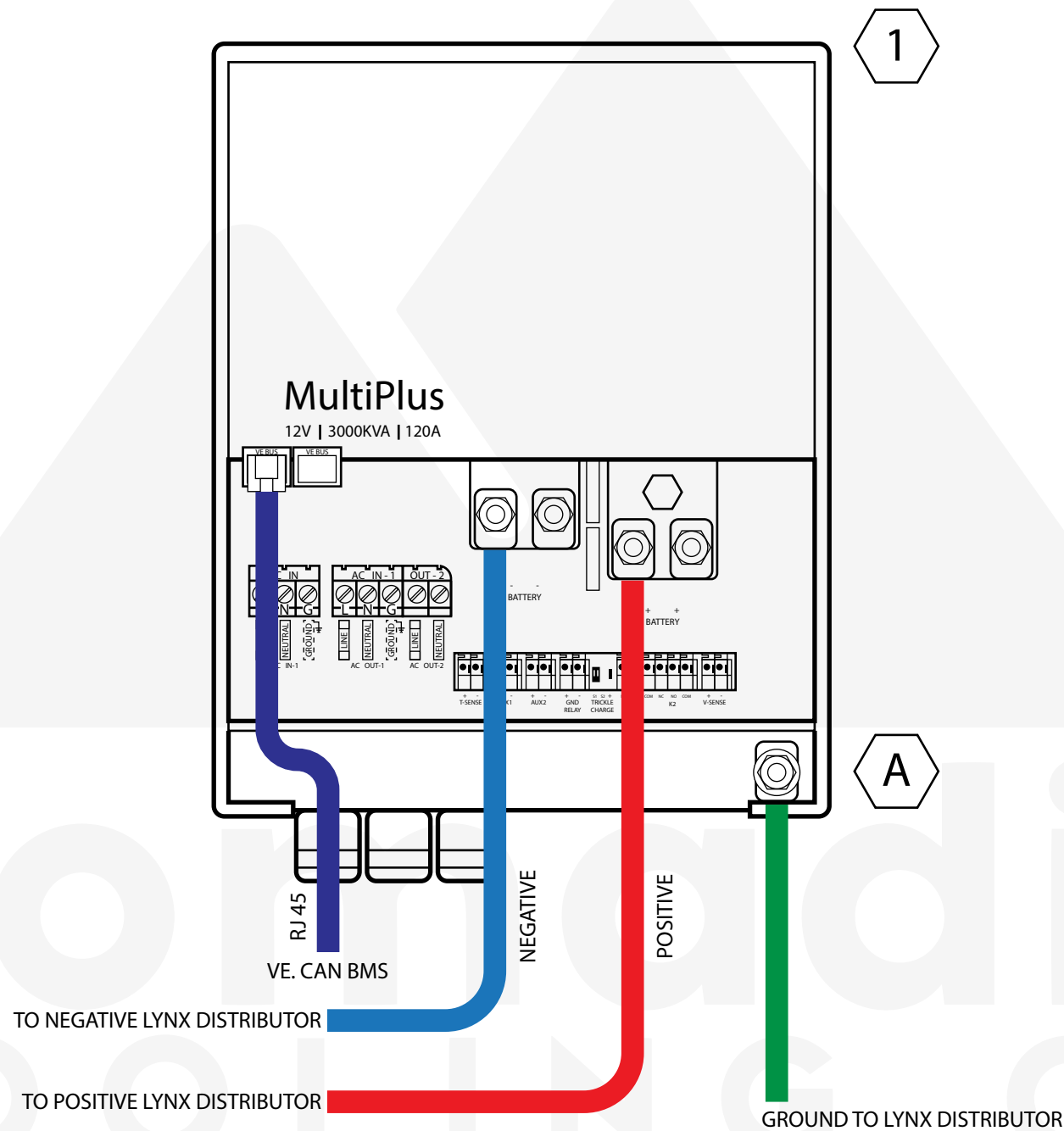
COMPONENTS

- | | |
|------------------------------|--|
| 1. INLET 30A 125V | 4. 120V DISTRIBUTION SWITCH |
| 2. 8077 AC MAIN | 5. STANDARD PLUG (NOT INCLUDED IN KIT) |
| 3. MULTIPLUS 12 3000 120 | |

DRAWING: NOT TO SCALE
COPYRIGHT ©2023 NOMADIC COOLING CO

DISCLAIMER:

Install at your own risk. This diagram is to be used as a guide. Your configuration may vary. Nomadic Cooling Co does not take responsibility for any errors that may occur during installation. Please consult with a professional for install.



MULTIPLUS

NOMAD 12V 400AH

A7.2

LEGEND

- POSITIVE
- NEGATIVE
- VE. BUS
- GROUND

NOTES X

A. Ground point is in back on bottom of Multiplus.

COMPONENTS

1. MULTIPLUS
12 | 3000 | 120

DRAWING: NOT TO SCALE
COPYRIGHT ©2023 NOMADIC COOLING CO

DISCLAIMER:

Install at your own risk. This diagram is to be used as a guide. Your configuration may vary. Nomadic Cooling Co does not take responsibility for any errors that may occur during installation. Please consult with a professional for install.

PARTS LIST NOMAD 400Ah			
Key	Manufacturer	Product	Qty.
1	Victron	Lithium Battery 200Ah	2
2	Blue Sea	Terminal Fuse Block / Terminal Fuse 250A - 1 ea.	3
3	Victron	Lynx Distributor / Lynx Power In Distributor - 1 ea.	2
4	Victron	Lynx Smart BMS	1
5	Blue Sea	5045 ST Blade Fuse Panel	1
6	Victron	Cerbo GX	1
7	Victron	GX Touch 50 or 70	1
8	Nomadic / Dometic	Air Conditioner 150Amp - Customer Supplied, Not in kit	1
9	Blue Sea	8023 DC 8 Position Panel	1
10	Blue Sea	7148 Surface Mount 187 Circuit Breaker 100A DC	1
11	Victron	Smart Battery Protect 220A	1
12	-	Stock Battery - Customer Supplied, Not in kit	1
13	Victron	Modular Fuse Holder	2
14	Victron	Orion TR Smart 12 12 30 Isolated	1
15	Marinco	30Amp 125V RV Inlet	1
16	Blue Sea	8077 AC Panel Main 120VAC 30A	2
17	Victron	Multiplus 12 3000 120	1
18	Blue Sea	8058 Circuit Breaker Panel 120 VAC - 3 Breakers	1
19	Victron	Smart Solar MPPT 100 30	1
20	-	Solar Panels - Customer Supplied, Not in kit	1
21	Blue Sea	7039 Surface Mount 187 Circuit Breaker 80A or 120A DC	1

NOT ALL COMPONENTS IN KIT

FUZE SIZES	
Component	Fuze Size
Multiplus	400A
Orion TR Smart Isolated	40A
Smart Battery Protect / DC panel 8 pos.	250A
Smart Solar	40A

NOT ALL COMPONENTS IN KIT

*AIR CONDITIONER FUZE SIZE 12V UNITS			
AC Model	Blue Sea 187 Breaker	Fuze Size	Qty.
Dometic RTX 1000	80	80	1
Dometic RTX 2000	80	80	1
Indel B OFF	80	80	1
Nomadic X3	120	125	1

NOT ALL COMPONENTS IN KIT

PARTS TABLES

NOMAD 12V 400AH

A9.1

DRAWING: NOT TO SCALE

COPYRIGHT ©2023 NOMADIC COOLING CO

DISCLAIMER:

Install at your own risk. This diagram is to be used as a guide. Your configuration may vary. Nomadic Cooling Co does not take responsibility for any errors that may occur during installation. Please consult with a professional for install.