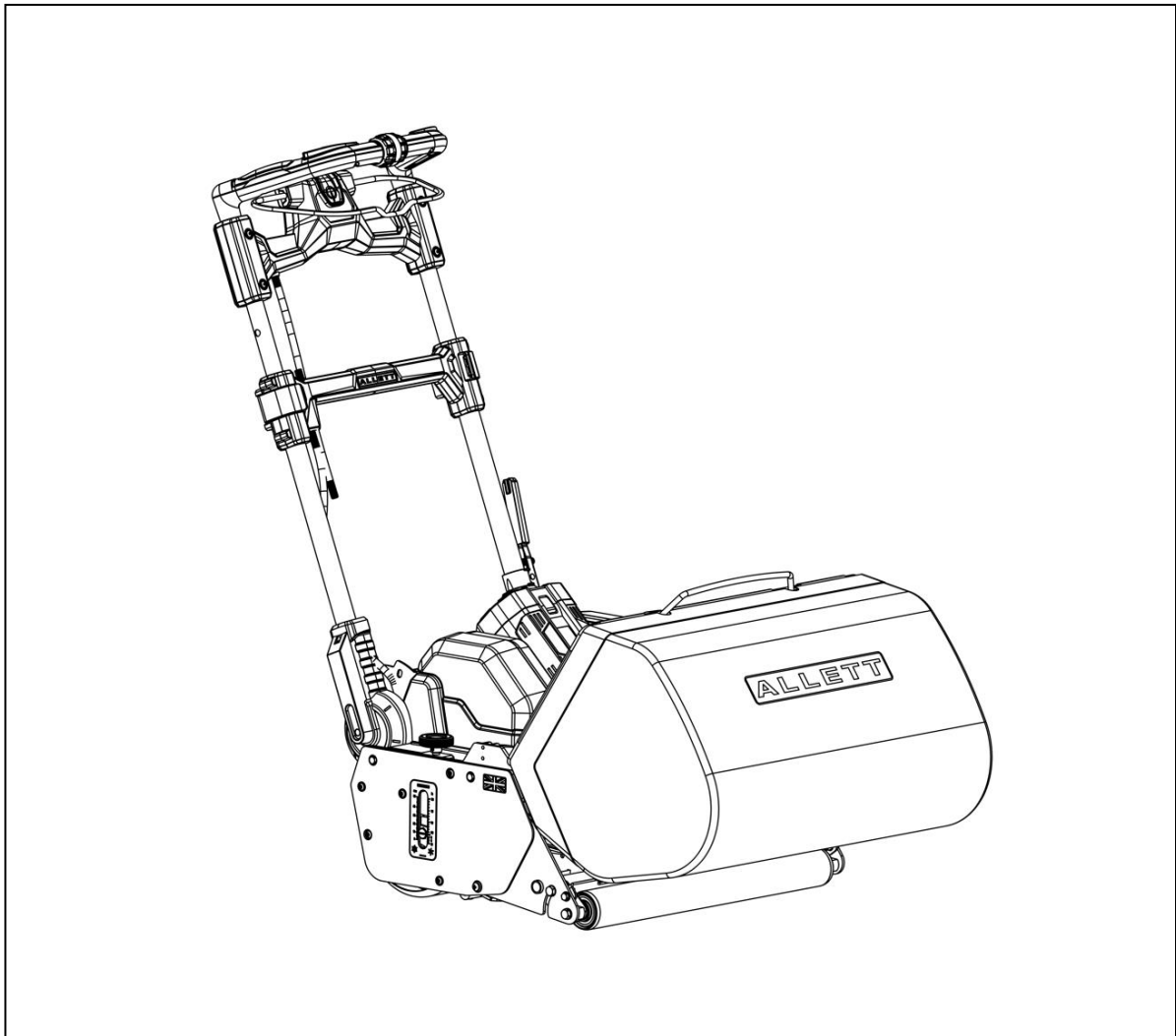




56 Volt Lithium-Ion Battery Cordless Cylinder Mower

Model Numbers: STIR43 / 1 and STIR51 / 1



PARTS MANUAL



STIRLING 43

STIRLING 51

For serial numbers: STIR43/1-21-0001 & STIR51/1-21-0001 onward

Original instructions: English version

Allett Limited, Regal House, Airfield Industrial Estate, Hixon, Stafford, ST18 0PF, United Kingdom
Tel: +44 (0) 1889 271503 sales@allett.co.uk www.allett.co.uk

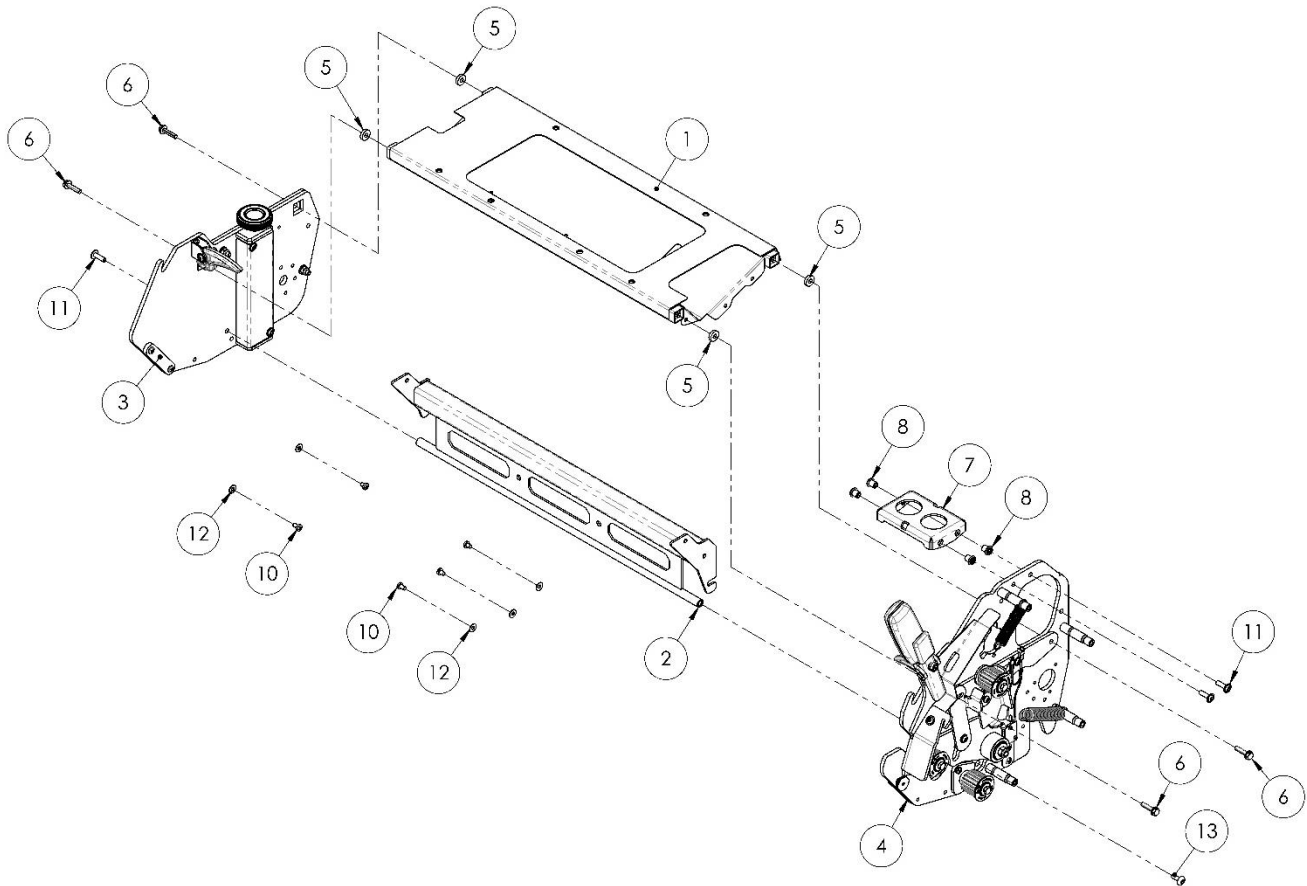
For Allett spare parts tel: +44 (0) 1889 27209

READ THIS MANUAL BEFORE USING AN ALLETT STIRLING 43 OR 51 CYLINDER MOWER

YOUR SAFETY IS INVOLVED

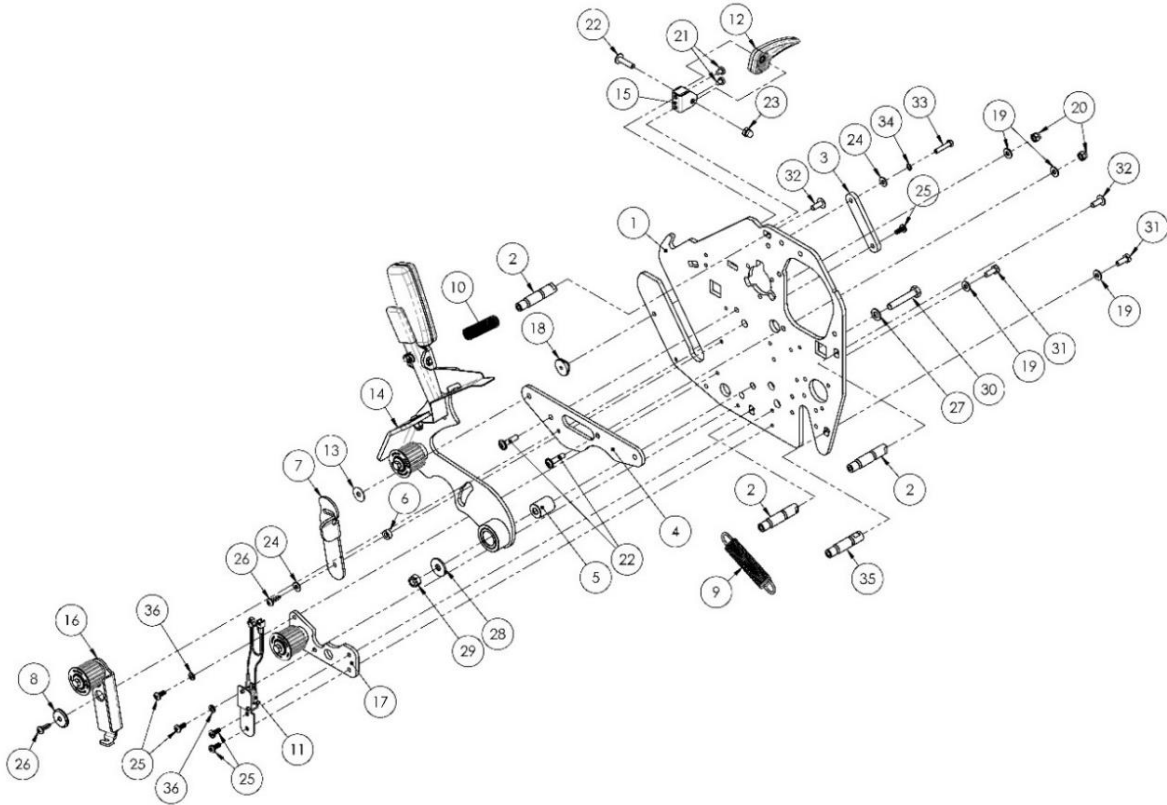
IT IS ESSENTIAL THAT OPERATORS STUDY THIS DOCUMENT FOR THEIR OWN SAFETY

F016J13010 CHASSIS ASSEMBLY 51 / F016J13310 CHASSIS ASSEMBLY 43



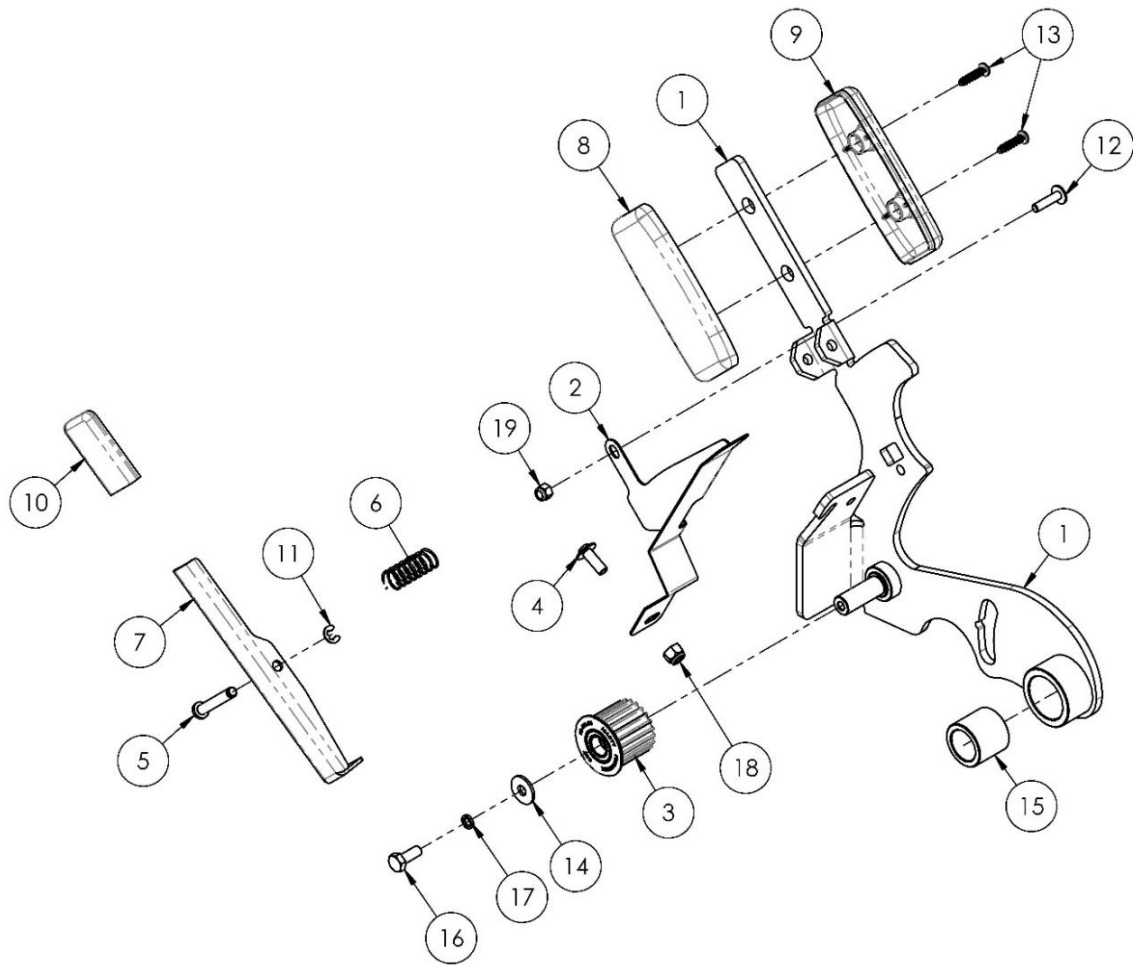
ITEM NO.	P/N STIRLING 51	P/N STIRLING 43	DESCRIPTION	QTY.
1	F016J13570	F016J13575	DECK ASSEMBLY (see page 8)	1
2	F016J13995	F016J13990	STIFFENER BRACKET FAB	1
3	F016J13440	-	NON-DRIVE SUB ASSEMBLY (see page 9)	1
4	F016J13450	-	DRIVE SIDE SUB ASSEMBLY (see page 4)	1
5	F016J13231	-	SPACER	4
6	F016T49288	-	M6X35	4
7	F016J13475	-	TIE BRACKET	1
8	F016J11067	-	M6 REDUCED HEAD HEX RIVNUT	4
9	M5_8_TAP	-	SCREW M5 X 8 TAPTITE	3
10	M5_10_TAP	-	SCREW M5 X 10 TAPTITE	2
11	M620-SDF	-	M6 x 20 SDF BZP ISO 4017	3
12	WM5C	-	WASHER M5 FORM C	5
13	M8_16_SD	-	M8 x 16 SD BZP ISO 4017	1

F016J13450 DRIVE SIDE SUB ASSEMBLY



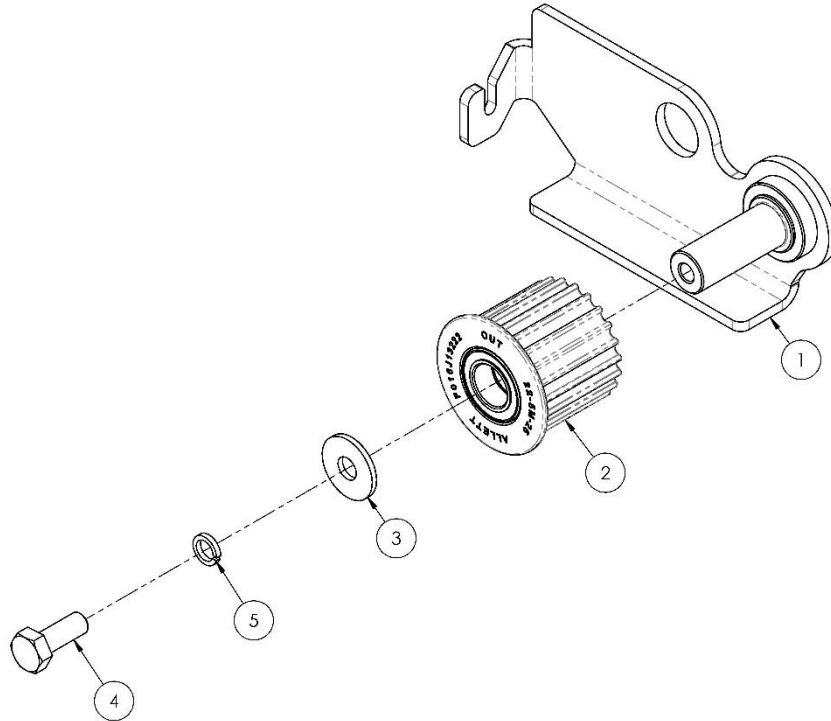
ITEM NO.	P/N STIRLING 43/51	DESCRIPTION	QTY.
1	F016J13011	SIDE PLATE - DRIVE	1
2	F016J13042	DRIVE GUARD MOUNTING BOSS	3
3	F016J13089	CARTRIDGE GUIDE RAIL	1
4	F016J13383	END PLATE	1
5	F016J13386	TENSION ARM BOSS	1
6	F016J13387	SPACER	1
7	F016J13388	STRAP	1
8	F016J13384	IDLER ARM PIVOT BUSH	1
9	RT00003098	SPRING	1
10	F016J13398	SPRING	1
11	F016J13143	LEVER SWITCH ASSEMBLY	1
12	F016J13405	CAM LOCK ASSY	1
13	F016J13404	SHIM WASHER	1
14	F016J13455	LOCKING ARM ASSEMBLY (see page 5)	1
15	F016J13408	BRACKET	1
16	F016J13830	TENSION ARM ASSEMBLY (see page 6)	1
17	F016J13835	IDLER PULLEY ASSEMBLY (see page 7)	1
18	F016J13926	BOSS	1
19	WM6C	WASHER M6 Form C	4
20	M6_NYLOC_NUT	M6 x NYLOC NUT BZP ISO 10514	2
21	M5_8_TAP	SCREW M5 X 8 TAPTITE	2
22	M6_25_SDF	M6 x 25 SDF BZP ISO 4017	3
23	NM6_DOME	M6 NYLOC NUT DOME CAP	1
24	WM5C	WASHER M5 FORM C	2
25	F016A57756	SCREW M5 x 12 TAPTITE	5
26	F016J13297	SCREW M5 x 16 TAPTITE	2
27	WM8A	M8 FLAT WASHER FORM A	1
28	MUDGUARD WASHER	M8 MUDGAURD WASHER	1
29	M8_NYLOC_NUT	M8 NYLOC NUT	1
30	M8_45_S	M8 x 45 SETSCREW BZP ISO 4017	1
31	M6_16_S	M6 x 16 SET SCREW BZP ISO 4017	2
32	M6_16_SDF	M6 x 16 SDF BZP ISO 4017	2
33	SM525	M5 SET SCREW X 35	1
34	SWM5	SPRING WASHER M5	1
35	F016J13418	DRIVE GUARD MOUNTING BOSS - SHORT	1
36	WM5	WASHER M5 FORM A	2

F016J13455 LOCKING ARM ASSEMBLY



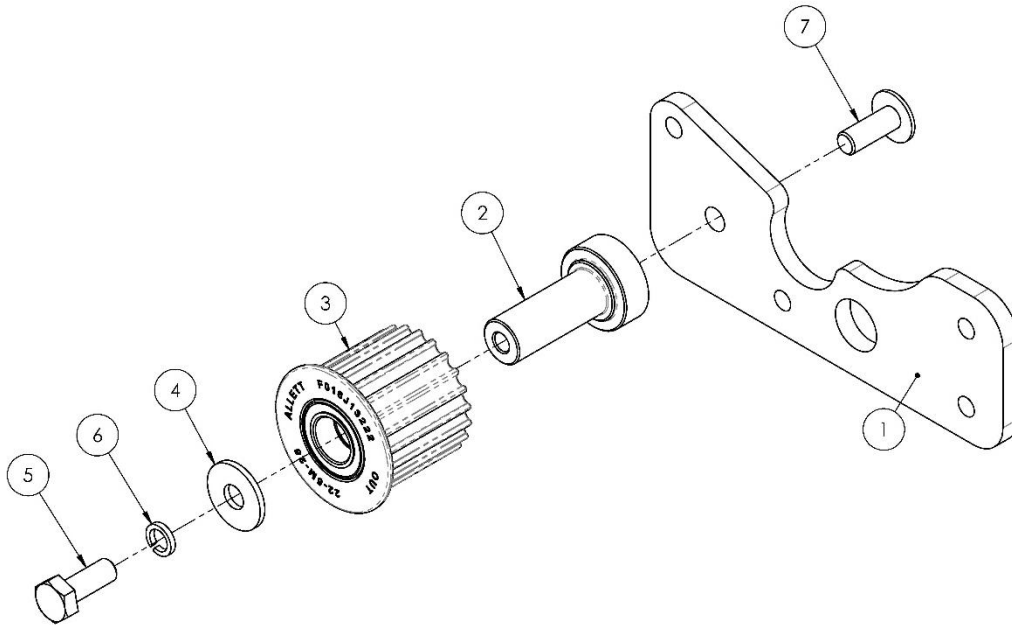
ITEM NO.	P/N STIRLING 43/51	DESCRIPTION	QTY.
1	F016J13385	LOCKING ARM FAB ASSY	1
2	F016J13394	LOCKING ARM GUARD PLATE	1
3	F016J13585	IDLER PULLEY ASSEMBLY	1
4	M6_16_SDF	M6 x 16 SDF BZP ISO 4017	1
5	F016J13397	CLEVIS PIN	1
6	AM87123	SPRING	1
7	F016J13396	LOCKING LEVER	1
8	F016J13056	PALM GRIP	1
9	F016J13058	PALM GRIP	1
10	F016J13413	PLASTIC CAP	1
11	F016J13403	E CLIP	1
12	M5_20_SDF	M5 x 20 SDF BZP ISO 4017	1
13	F016T49429	SELF TAPPING SCREW	2
14	WM6G	WASHER M6 FORM G	1
15	AM81527	20x28x25 OILITE BUSH	1
16	M6_16_S	M6 x 16 SET SCREW BZP ISO 4017	1
17	SWM6	SPRING WASHER M6	1
18	NNM6	NUT M6 NYLOC	1
19	NNM5	NUT M5 NYLOC	1

F016J13830 TENSION ARM ASSEMBLY



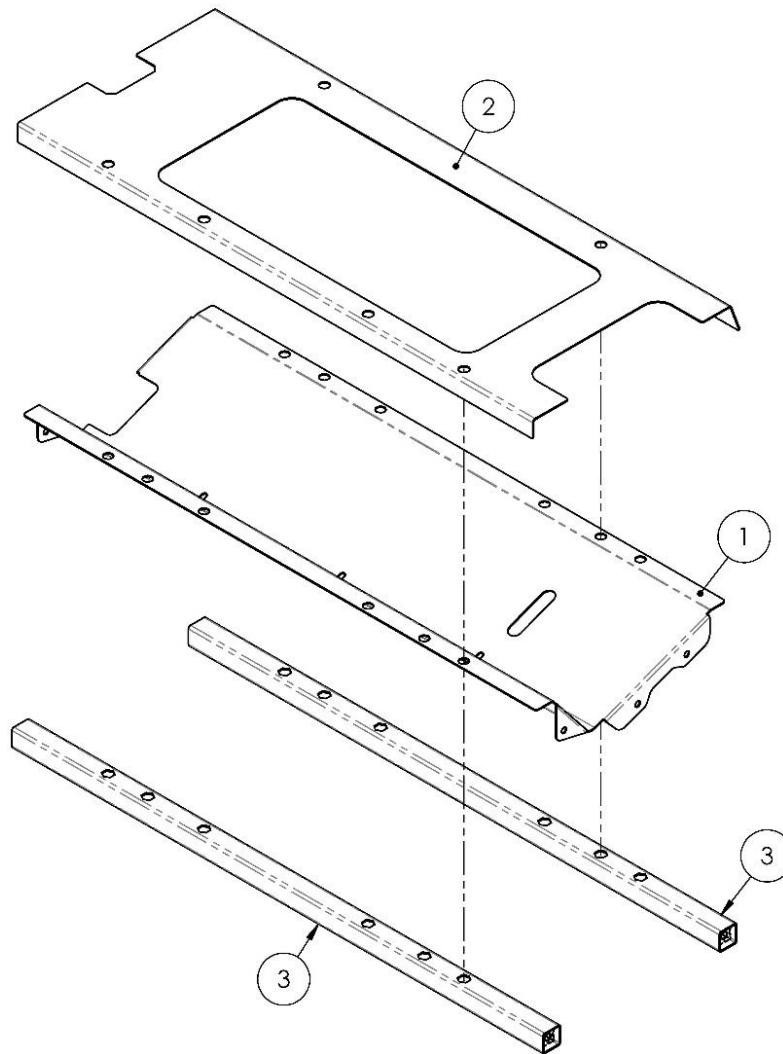
ITEM NO.	P/N STIRLING 43/51	DESCRIPTION	QTY.
1	F016J13395	TENSION ARM FAB ASSY	1
2	F016J13585	IDLER PULLEY ASSEMBLY	1
3	WM6G	WASHER M6 FORM G	1
4	M6_16_S	M6 x 16 SET SCREW BZP ISO 4017	1
5	SWM6	SPRING WASHER M6	1

F016J13835 IDLER PULLEY ASSEMBLY



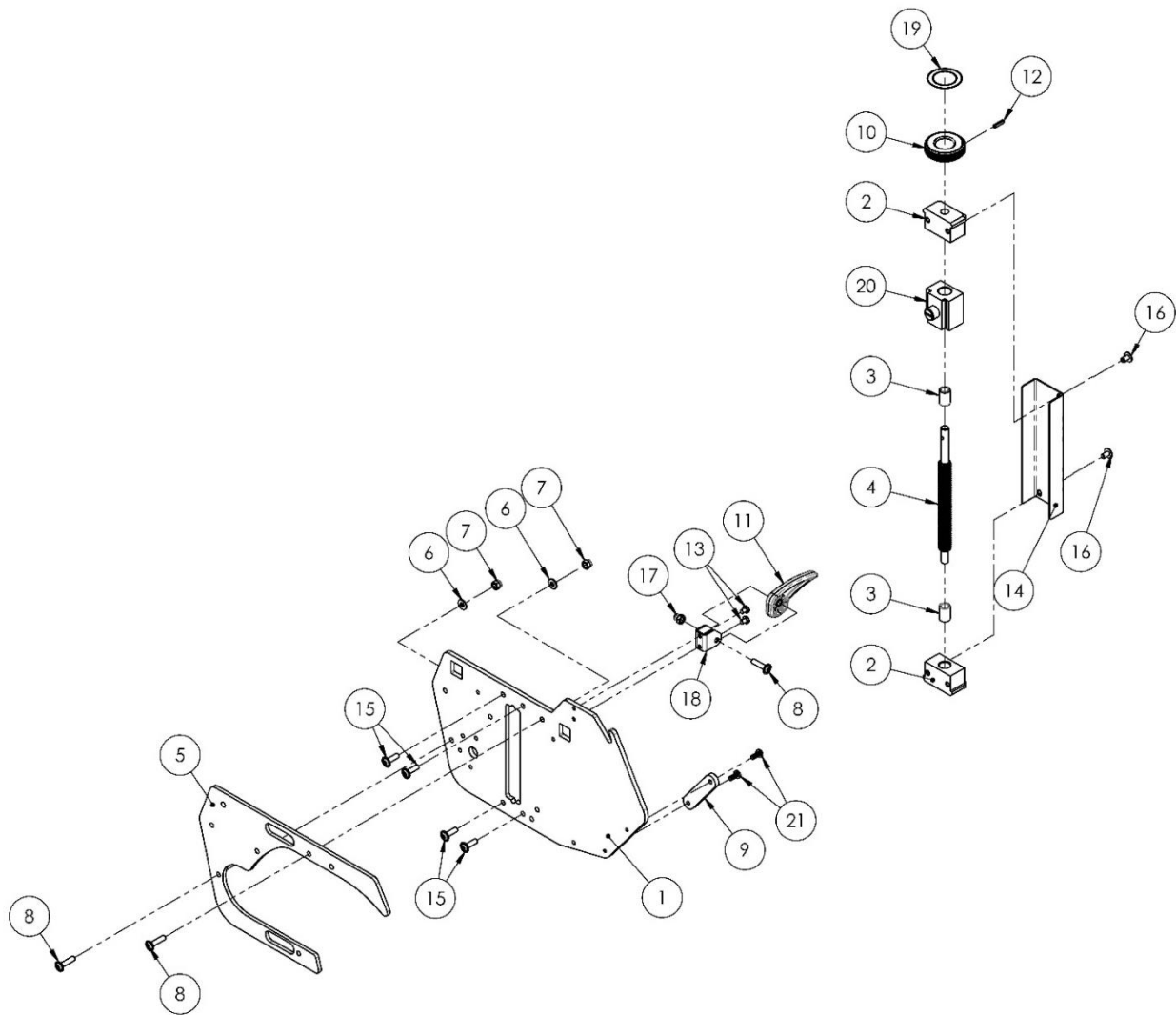
ITEM NO.	P/N STIRLING 43/51	DESCRIPTION	QTY.
1	F016J13381	LOWER PULLEY PLATE	1
2	F016J13389	IDLER PULLEY BOSS LOWER	1
3	F016J13585	IDLER PULLEY ASSEMBLY	1
4	WM6G	WASHER M6 FORM G	1
5	M6_16_S	M6 x 16 SET SCREW BZP ISO 4017	1
6	SWM6	SPRING WASHER M6	1
7	M6_16_SDF	M6 x 16 SDF BZP ISO 4017	1

F016J13570 DECK ASSEMBLY 51 / F016J13575 DECK ASSEMBLY 43



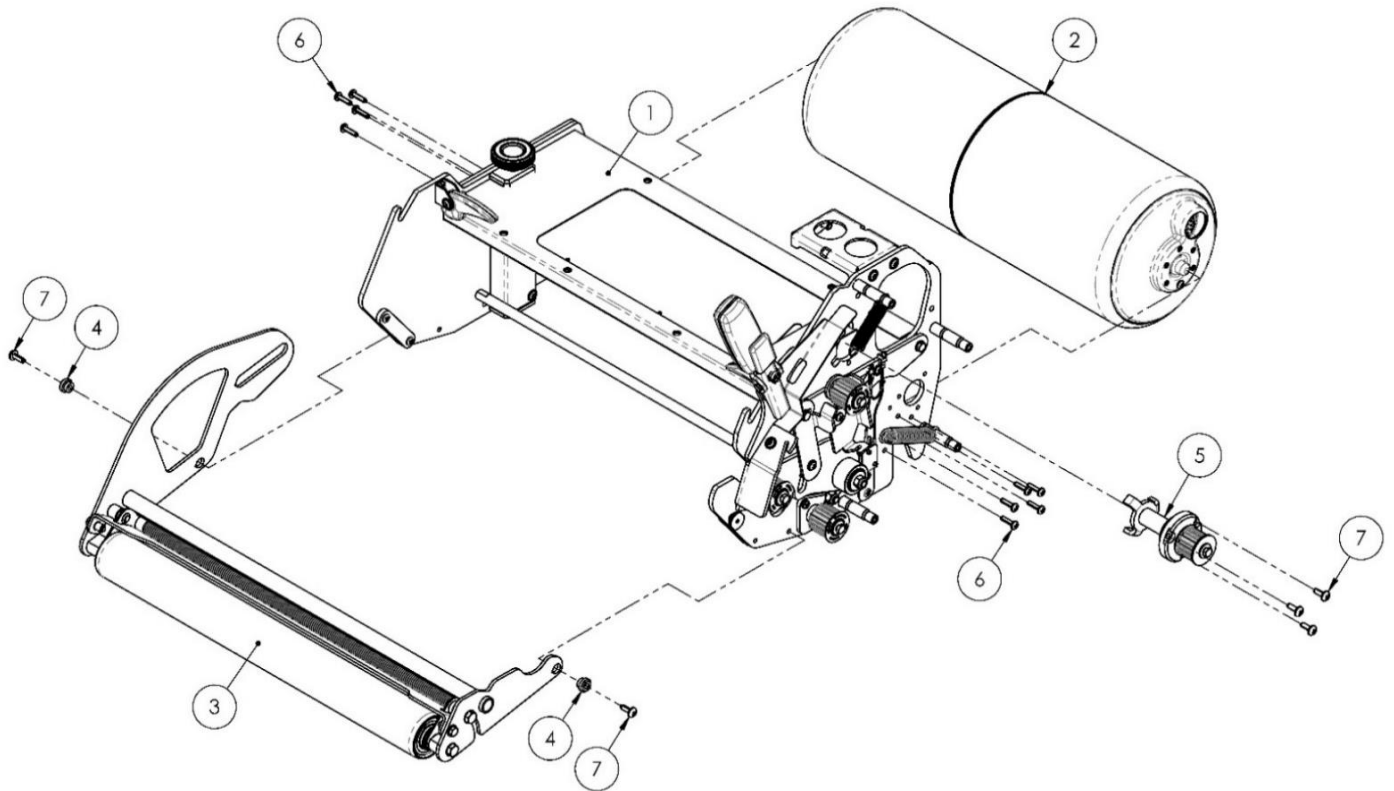
ITEM NO.	P/N 51	P/N 43	DESCRIPTION	QTY.
1	F016J13015	F016J13314	CHASSIS TRAY	1
2	F016J13024	F016J13315	CHASSIS TOP PLATE	1
3	F016J13018	F016J13318	CHASSIS RAIL ASSY	2

F016J13440 NON DRIVE SIDE SUB ASSEMBLY



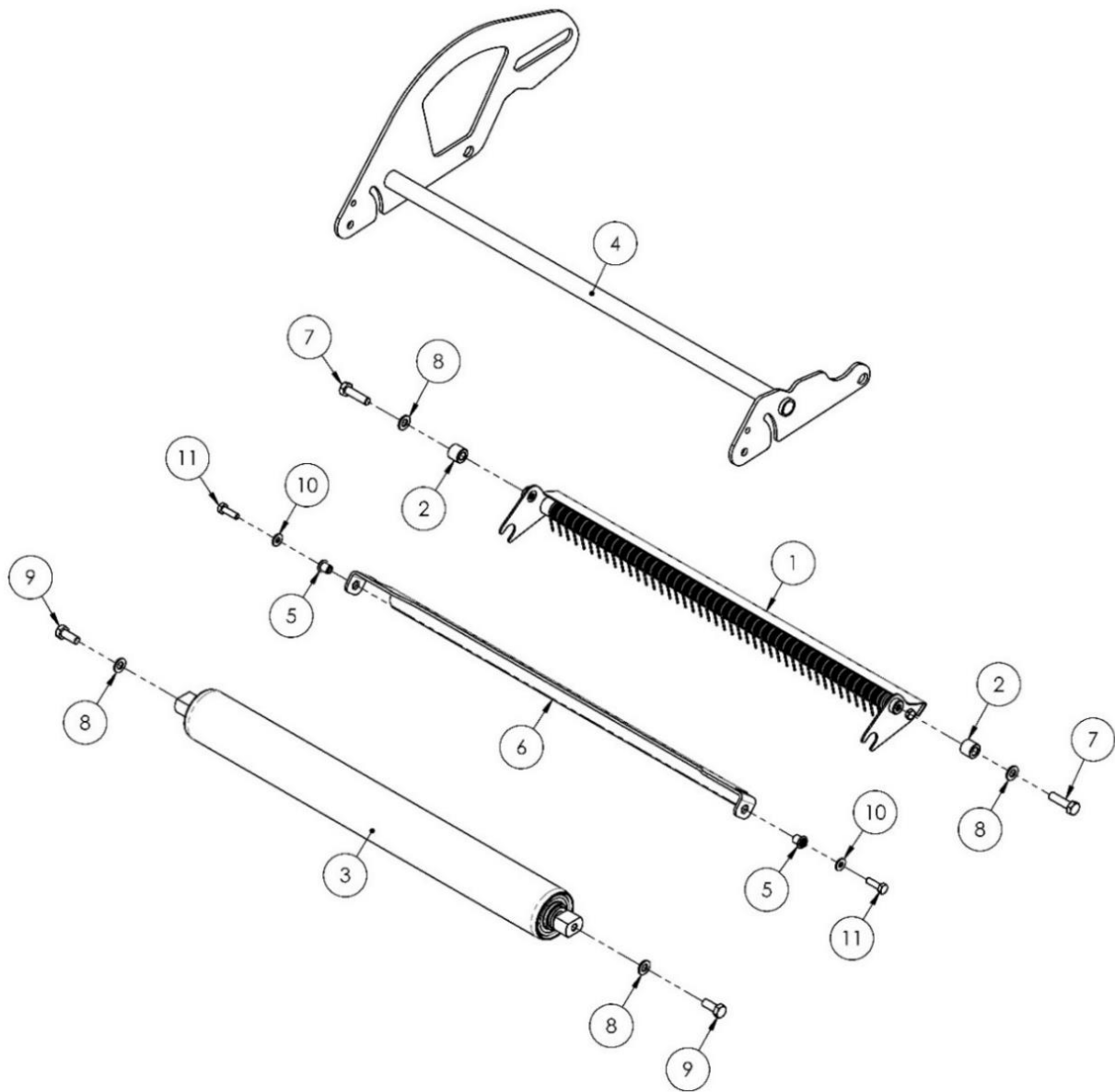
ITEM NO.	P/N STIRLING 43/51	DESCRIPTION	QTY.
1	F016J13012	SIDE PLATE - NON DRIVE	1
2	F016J13079	LEAD SCREW BLOCK	2
3	AM81526	OILITE BUSH 10 ID 14 OD 20 LONG	2
4	F016J13076	LEAD SCREW	1
5	F016J13008	INSERT PLATE	1
6	WM6C	WASHER M6 Form C	2
7	M6_NYLOC_NUT	M6 x NYLOC NUT BZP ISO 10514	2
8	M6_25_SDF	M6 x 25 SDF BZP ISO 4017	3
9	F016J13089	CARTRIDGE GUIDE RAIL	1
10	F016J13391	HAND WHEEL	1
11	F016J13405	CAM LOCK ASSY	1
12	F016L12750	SPRING PIN 4.0 X 16.0	1
13	M5_8_TAP	SCREW M5 X 8 TAPTITE	2
14	F016J13348	HOC COVER	1
15	M620-SDF	M6 x 20 SDF BZP ISO 4017	4
16	F016J11022	M6x10 Socket Dome Flange Screw	2
17	NM6_DOME	M6 NYLOC NUT DOME CAP	1
18	F016J13408	BRACKET	1
19	F016J13368	HANDWHEEL DECAL	1
20	F016J13825	HOC NUT ASSEMBLY	1
21	F016A57756	SCREW M5 x 12 TAPTITE	2

F016J13000 ROLLER ASSEMBLY 51 / F016J13300 ROLLER ASSEMBLY 43



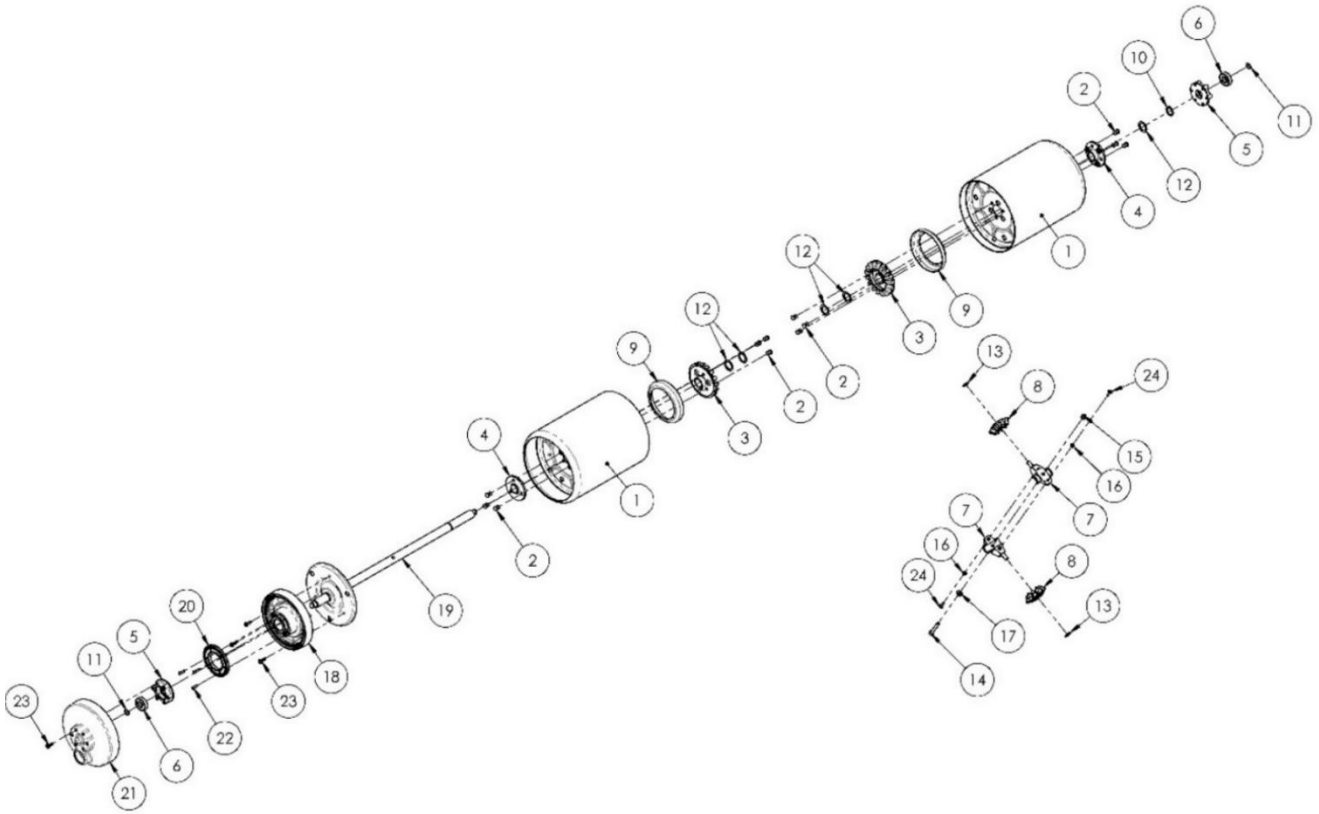
ITEM NO.	P/N 51	P/N 43	DESCRIPTION	QTY.
1	F016J13010	F016J13310	CHASSIS	1
2	F016J13820	F016J13410	REAR ROLLER ASSY (see page 12)	1
3	F016J13080	F016J13320	FRONT FROLLER & SUBFRAME ASSY (see page 11)	1
4	F016J13087	-	BUSH	2
6	F016J13347	-	SCREW M5 x 20 TAPTITE	9

F016J13080 FRONT ROLLER ASSEMBLY 51 / F016J13320 FRONT ROLLER ASSEMBLY 43



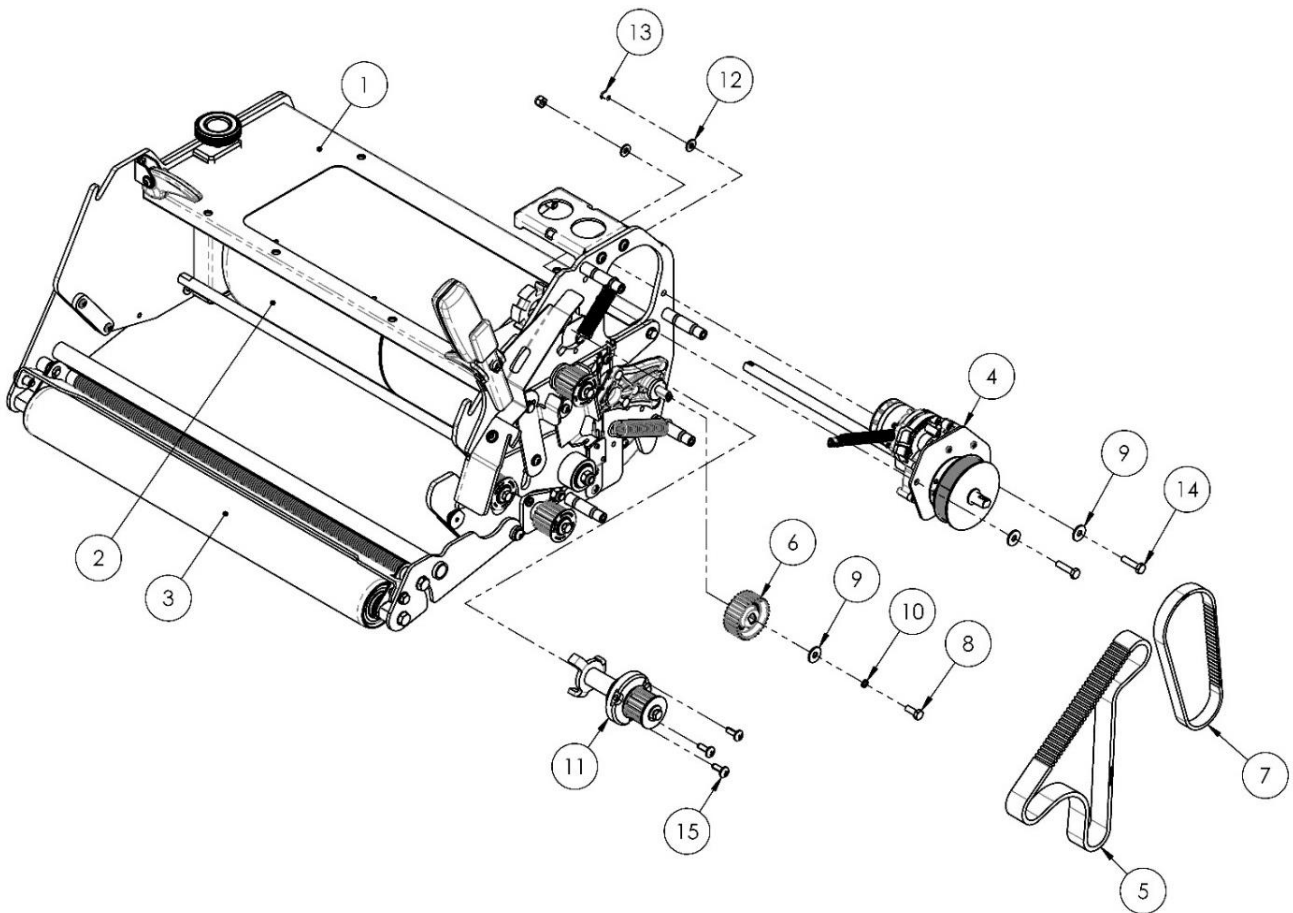
ITEM NO.	P/N 51	P/N 43	DESCRIPTION	QTY.
1	F016A75073	F016A75072	RAKE FRAME ASSY	1
2	F016J13093	-	FRONT ROLLER SPACER	2
3	F016J13220	F016J13322	FRONT ROLLER	1
4	F016J13490	F016J13480	FRONT ROLLER SUB FRAME FAB	1
5	F016J11067	-	M6 REDUCED HEAD HEX RIVNUT	2
6	F016J13153	F016J13323	SCRAPER BAR	1
7	M8_30_S	-	M8 x 30 SETSCREW BZP ISO 4017	2
8	WM8A	-	M8 FLAT WASHER FORM A	4
9	M8_20_S	-	M8 x 20 SETSCREW BZP ISO 4017	2
10	WM6C	-	WASHER M6 Form C	2
11	M6_20_S	-	M6 x 20 SET SCREW BZP ISO 4017	2

F016J13820 REAR ROLLER ASSEMBLY 51 / F016J13410 REAR ROLLER ASSEMBLY 43



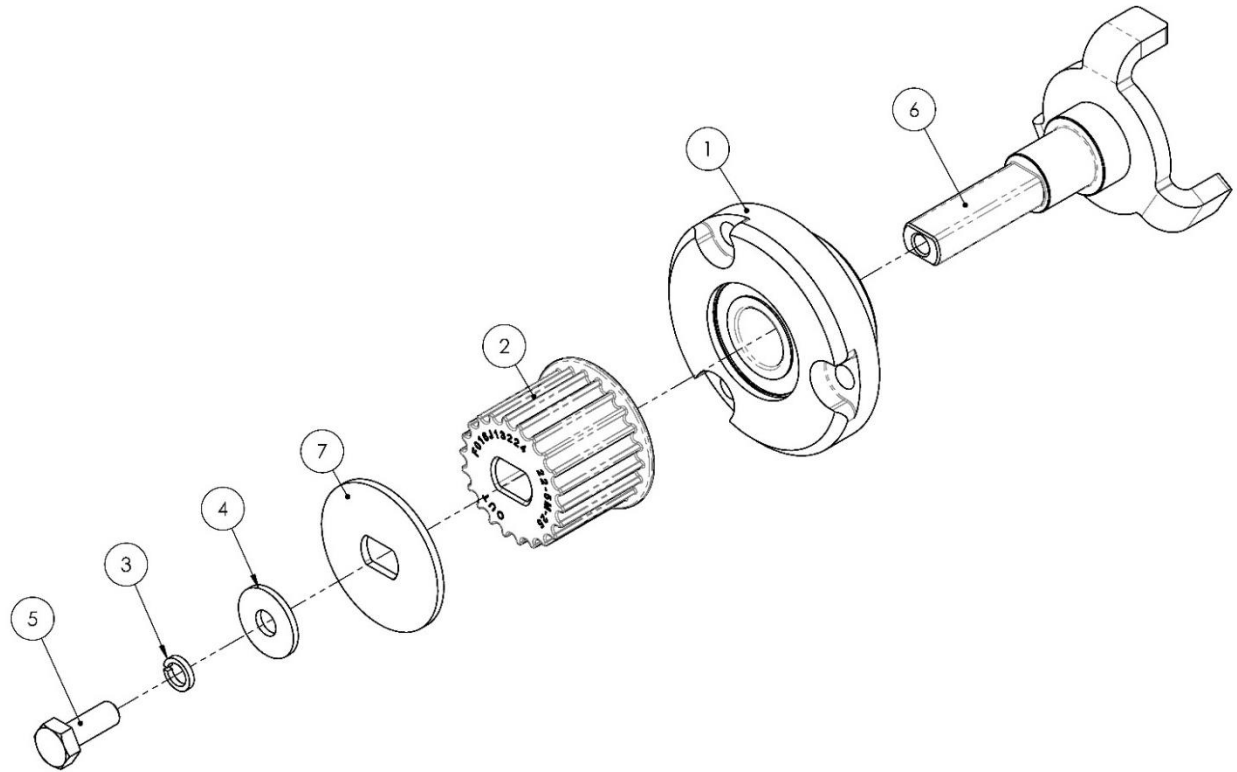
ITEM NO.	P/N 51	P/N 43	DESCRIPTION	QTY.
1	F016A57545	F016A57546	Rear Roller Half	2
2	F016A58178	-	POP RIVET 6.4 x 12.7	12
3	F016A57674	-	Toothed Gear	2
4	F016L61256	-	REAR ROLLER BEARING	2
5	F016A58439	-	BALL BEARING HOUSING	2
6	F016A57838	-	BALL RACE 1/2 2RS	2
7	F016L66596	-	Clamping Piece	2
8	F016A57499	-	Differential Pinion	2
9	F016A57823	-	Diff Cover End Plate	2
10	F016A57758	-	CIRCLIP 20mm	1
11	F016A58441	-	1/2" CIRCLIP	2
12	F016A58577	-	WASHER 20mm	5
13	F016T49100	-	Ratchet Plate Black	2
14	F016A58385	-	M6 X 125 CAP HEAD	1
15	F016L35388-1	-	Nut M6 Nyloc	1
16	F016L18303	-	Wsh 10X5.3 X 1	2
17	F016L35316	-	Wsh 9/16 X 17/64 X 20Swg	1
18	F016J13184	-	GEAR MOUNTING	1
19	F016J13610	F016J13620	REAR ROLLER SPINDLE ASSY	1
20	F016J13181	-	EGO METAL GEAR 3520933001	1
21	F016J13305	-	ROLLER END CAP	1
22	F016J13294	-	EGO SELF TAPPING SCREW 5610294001 4.0 X 16.0	3
23	F016J13297	-	SCREW M5 x 16 TAPTITE	4
24	F016T46295	-	SCREW	2

F016J13000 DRIVE ASSEMBLY 51 / F016J13300 DRIVE ASSEMBLY 43



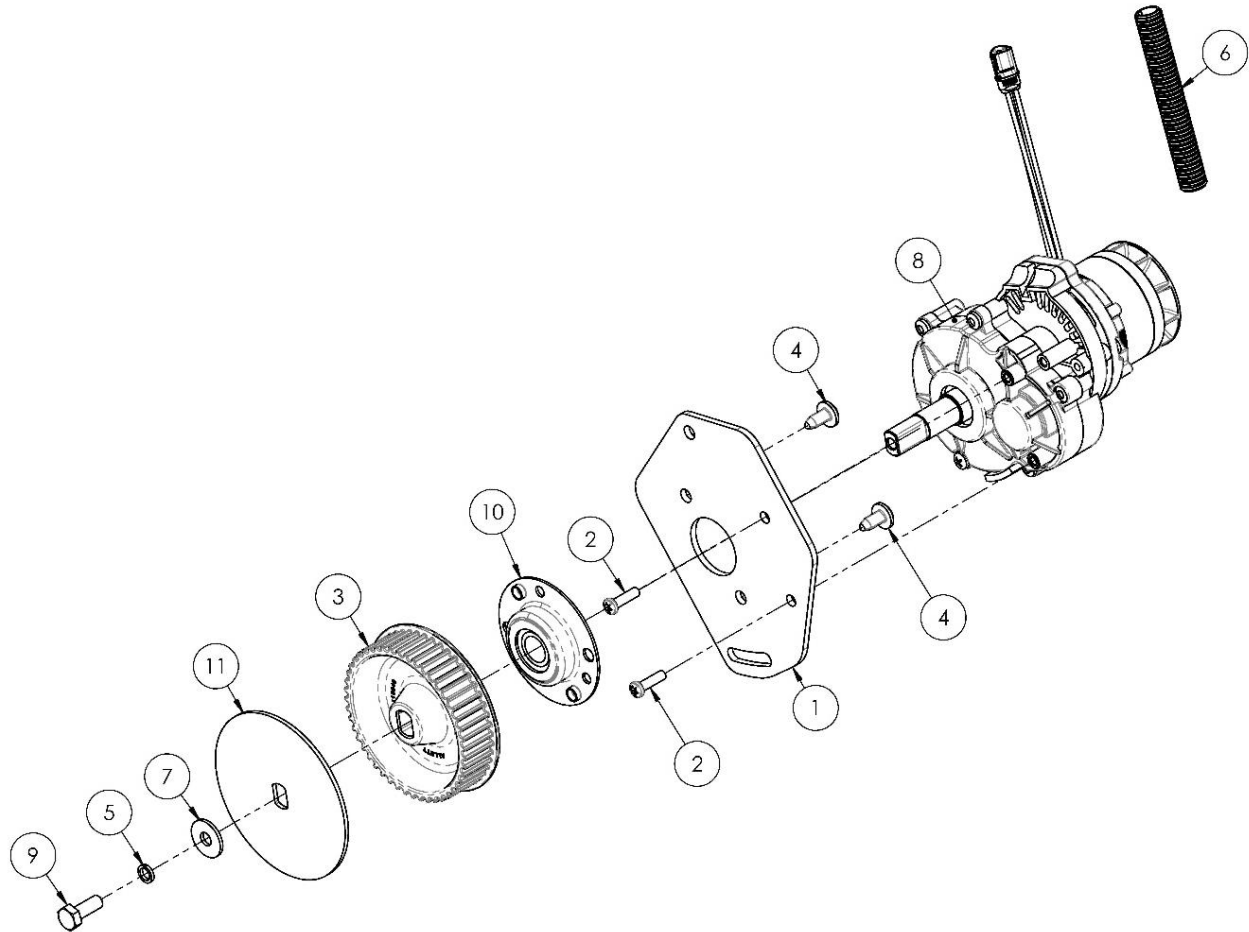
ITEM NO.	P/N 51	P/N 43	DESCRIPTION	QTY.
1	F016J13010	F016J13310	CHASSIS FRAME COMPLETE	1
2	F016J13820	F016J13410	REAR ROLLER ASSY	1
3	F016J13080	F016J13320	FRONT FROLLER SUBFRAME ASSY	1
4	F016J13124	-	MOTOR ASSEMBLY (see page 15)	1
5	F016J13298	-	25MM DS TIMING BELT	1
6	F016J13777	-	REAR ROLLER PULLEY	1
7	F016J13342	-	15MM TIMING BELT	1
8	M6_16_S	-	M6 x 16 SET SCREW BZP ISO 4017	1
9	WM6G	-	WASHER M6 FORM G	5
10	SWM6	-	SPRING WASHER M6	3
11	F016J13930	F016J13935	EXTENSION SHAFT ASSY (see page 14)	1
12	WM6C	-	WASHER M6 Form C	3
13	NNM6	-	NUT M6 NYLOC	2
14	M6_25_S	-	M6 x 25 SET SCREW BZP ISO 4017	2
15	F016J13412	-	SCREW M5 x 16 TAPTITE	5

F016J13930 MOTOR EXTENSION ASSEMBLY 51 / F016J13935 MOTOR EXTENSION ASSEMBLY



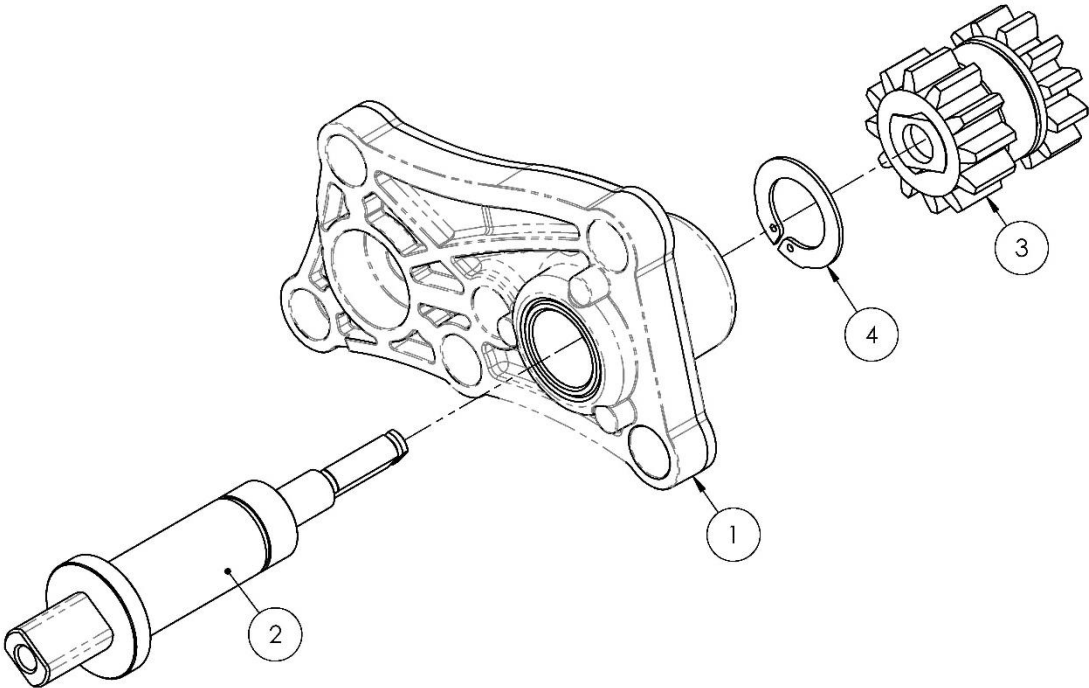
ITEM NO.	P/N 51	P/N 43	DESCRIPTION	QTY.
1	F016J13940	-	BEARING ASSEMBLY	1
2	F016J13778	-	DRIVE PULLEY 22T	1
3	SWM6	-	SPRING WASHER M6	1
4	WM6G	-	WASHER M6 FORM G	1
5	M6_16_S	-	M6 x 16 SET SCREW BZP ISO 4017	1
6	F016J13766	F016J13767	MOTOR EXTENSION SHAFT FAB ASSY	1
7	F016J13968	-	CARTRIDGE MOTOR PULLEY OUTER FLANGE PLATE	1

F016J13124 MOTOR ASSEMBLY



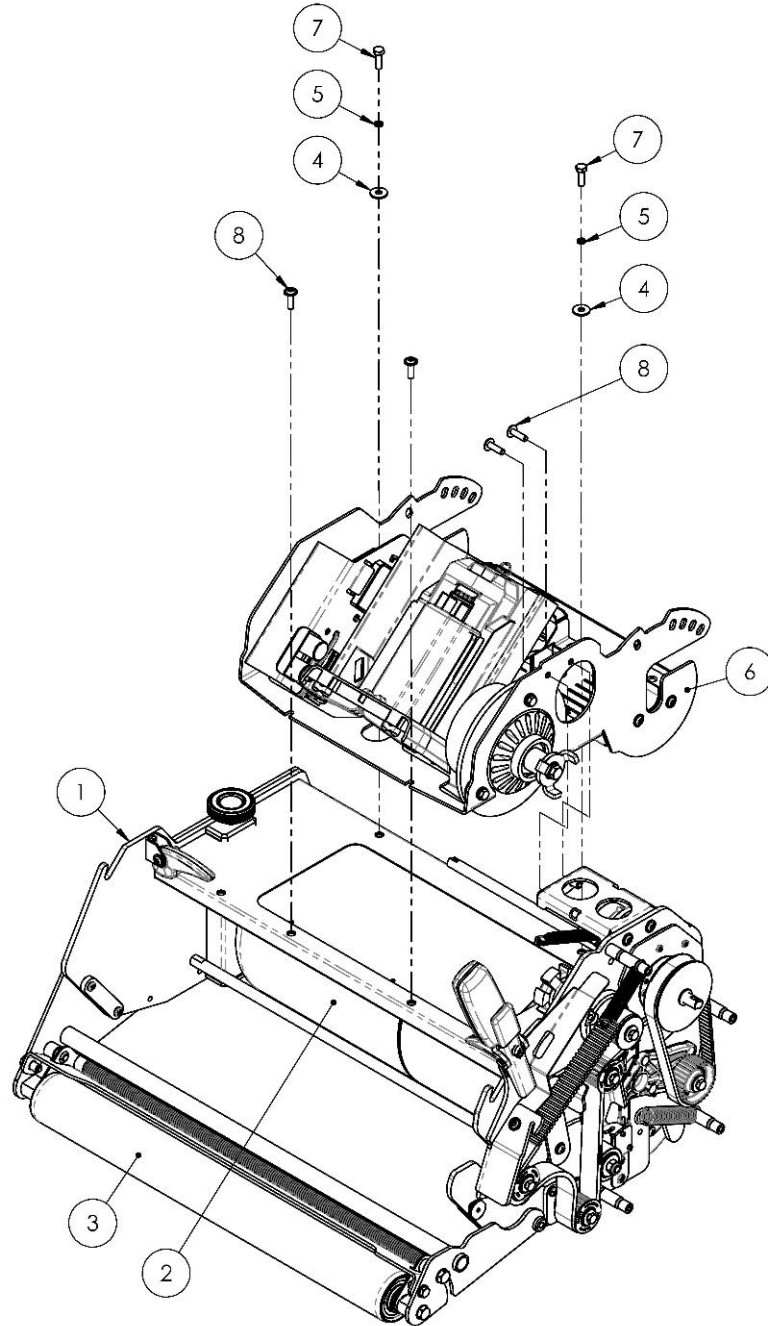
ITEM NO.	P/N STIRLING 43/51	DESCRIPTION	QTY.
1	F016J13017	MOTOR BRACKET	1
2	F016J13294	EGO SELF TAPPING SCREW 5610294001 4.0 X 16.0	2
3	F016J13776	PULLEY 48T	1
4	F016L35387	SCREW M6 X 12 SELF TAP	2
5	SWM6	SPRING WASHER M6	1
6	F016J13802	CONDUIT 12MM	1
7	WM6G	WASHER M6 FORM G	1
8	F016J13600	REAR ROLLER MOTOR ASSEMBLY 2828900001	1
9	M6_16_S	M6 x 16 SET SCREW BZP ISO 4017	1
10	F016J13840	BEARING HOUSING ASSEMBLY	1
11	F016J13967	ROLLER MOTOR PULLEY OUTER FLANGE PLATE	1

F016J13430 PINION ASSEMBLY



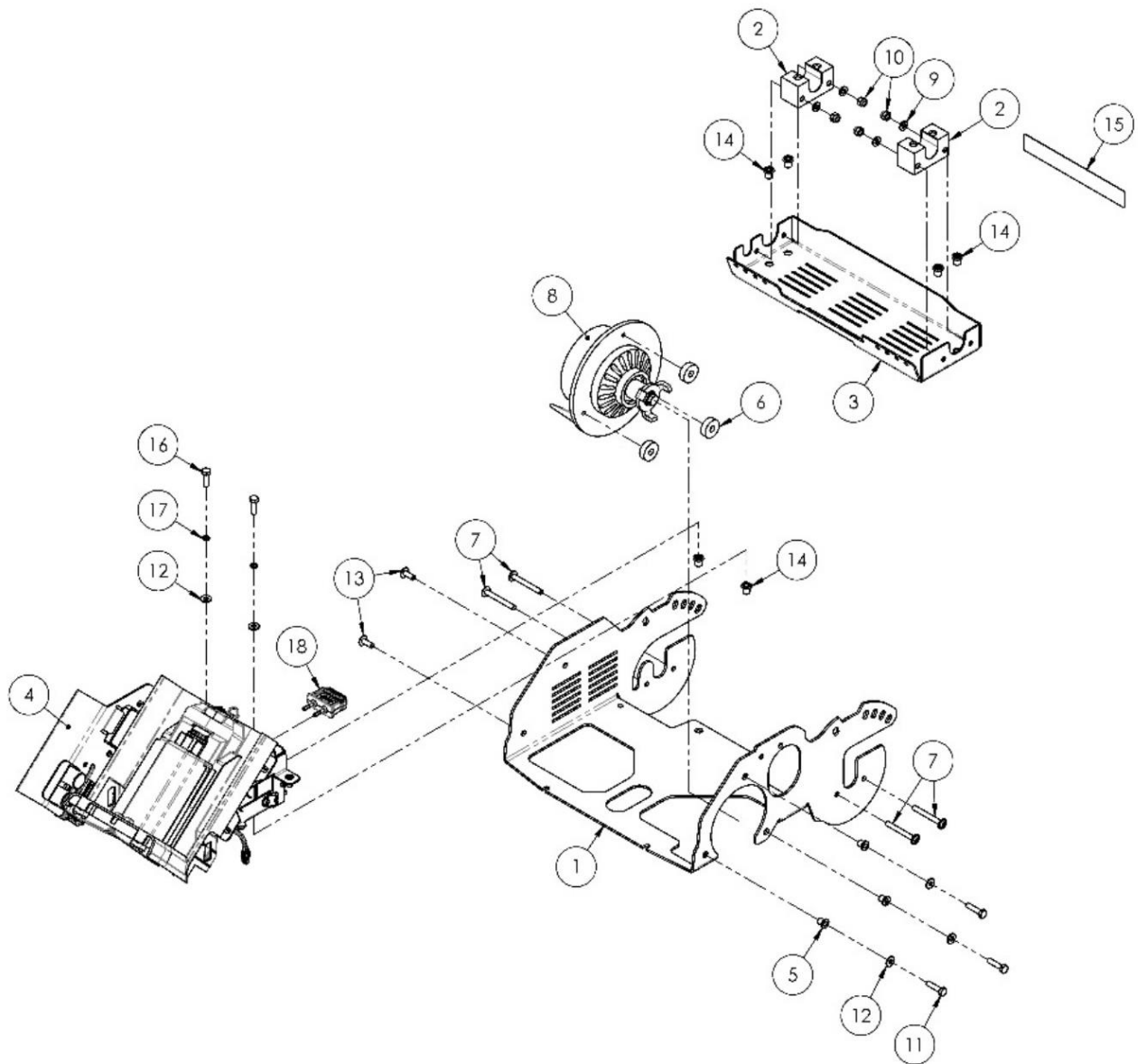
ITEM NO.	P/N STIRLING 43/51	DESCRIPTION	QTY.
1	F016A75401-1	PINION HOLDER SUB ASSY	1
2	F016J13771	PINION SHAFT	1
3	F016J13135	EGO PINION ASSEMBLY 2825970001	1
4	F016J13544	CIRCLIP 16MM	1

F016J13000 POWERHEAD ASSEMBLY 51 / F016J13300 POWERHEAD ASSEMBLY 43



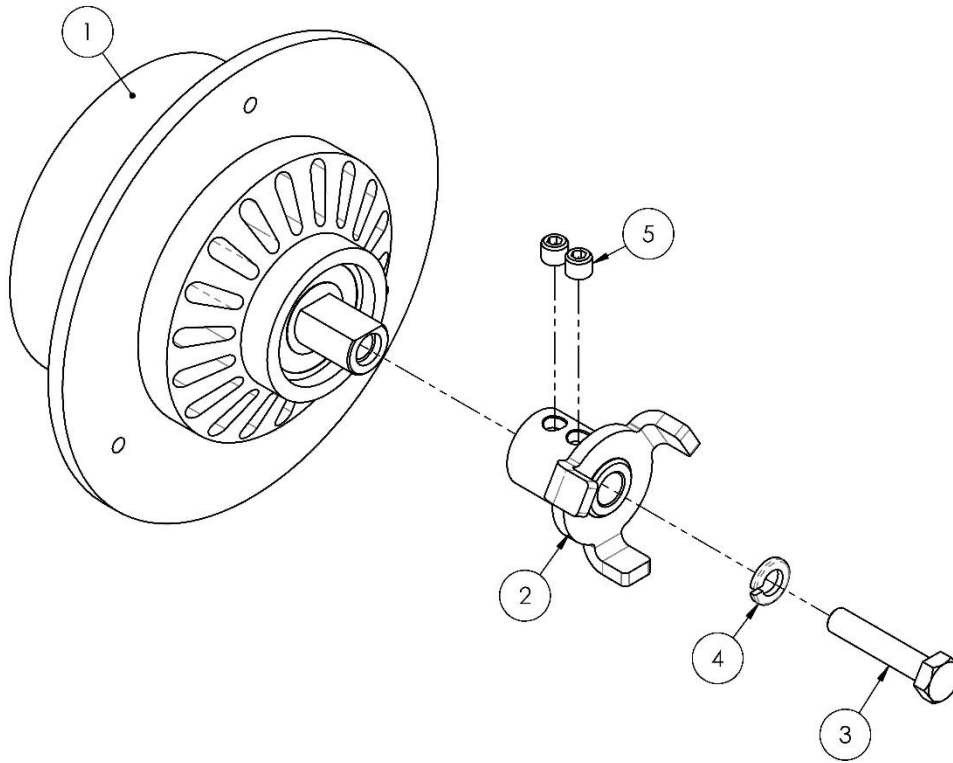
ITEM NO.	P/N STIRLING 43/51	DESCRIPTION	QTY.
1	F016J13010	CHASSIS FRAME COMPLETE	1
2	F016J13820	REAR ROLLER ASSY (see page 12)	1
3	F016J13080	FRONT FROLLER & SUBFRAME ASSY (see page 11)	1
4	WM6G	WASHER M6 FORM G	5
5	SWM6	SPRING WASHER M6	3
6	F016J13470	POWER HEAD ASSEMBLY (see page 18)	1
7	M6_20_S	M6 x 20 SET SCREW BZP ISO 4017	2
8	M620-SDF	M6 x 20 SDF BZP ISO 4017	4

F016J13470 POWERHEAD ASSEMBLY



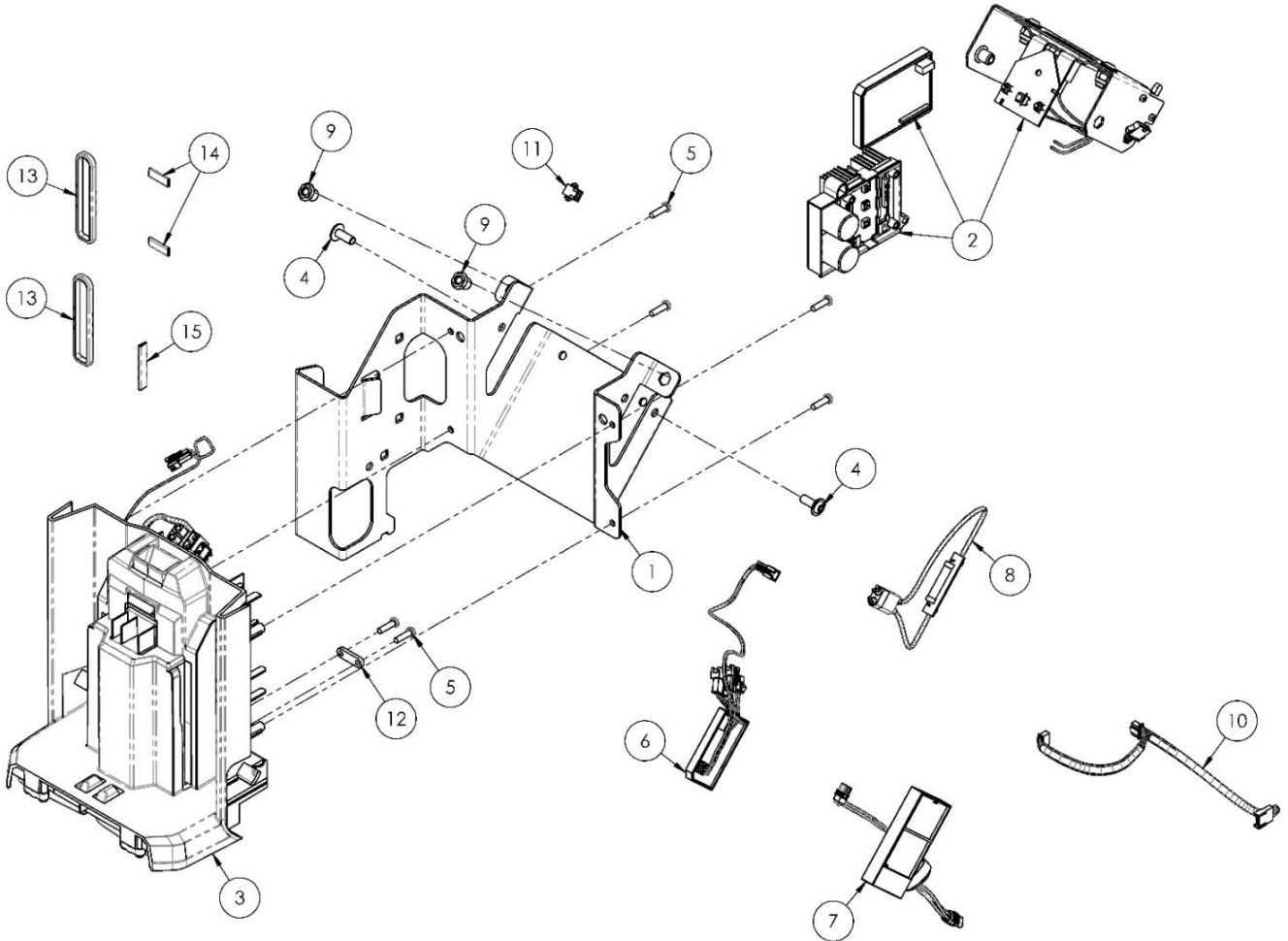
ITEM NO.	P/N STIRLING 43/51	DESCRIPTION	QTY.
1	F016J13016	CHASSIS HANDLE TRAY	1
2	F016J13053	HANDLE BAR BEARING BLOCK	2
3	F016J13054	CHASSIS HANDLE BRACKET	1
4	F016J13030	BATTERY DOCK ASSY	1
5	F016J13174	INSULATOR BUSH	3
6	F016J13173	SPACER	3
7	M6_50_SDF	M6 x 50 SDF BZP ISO 4017	4
8	F016J13420	CYLINDER MOTOR ASSEMBLY (see page 19)	1
9	WM6	M6 PLAIN WASHER FORM A	4
10	M6_NYLOC_NUT	M6 x NYLOC NUT BZP ISO 10514	4
11	M6_25_S	M6 x 25 SET SCREW BZP ISO 4017	3
12	WM6C	WASHER M6 Form C	5
13	M6_16_SDF	M6 x 16 SDF BZP ISO 4017	2
14	F016J11067	M6 REDUCED HEAD HEX RIVNUT	6
15	F016J13356	SAFETY WARNING DECAL	1
16	M6_20_S	M6 x 20 SET SCREW BZP ISO 4017	2
17	SWM6	SPRING WASHER M6	2
18	F016J13281	EGO KEY 5680196001	1

F016J13420 MOTOR ASSEMBLY



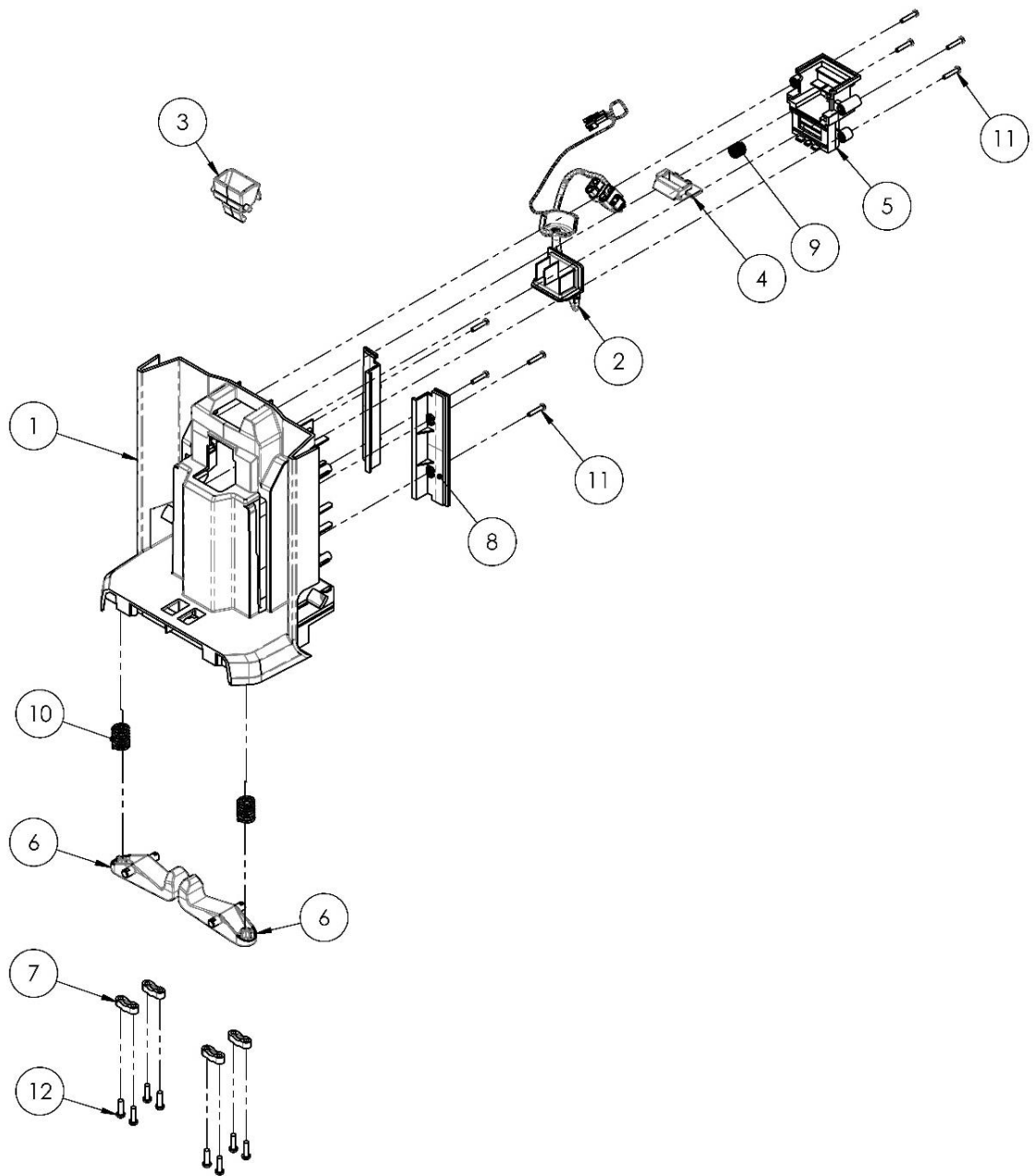
ITEM NO.	P/N STIRLING 43/51	DESCRIPTION	QTY.
1	F016J13290	DC MOTOR - CYLINDER 2730253001	1
2	F016J13139	MOTOR SHAFT EXTENSION FAB	1
3	M10_40_S	M10 x 40 SETSCREW BZP ISO 4017	1
4	WM10S	M10 SPRING WASHER	1
5	M8x8 GRUB SCREW	M8x6 GRUB SCREW	2

F016J13030 BATTERY DOCK ASSEMBLY



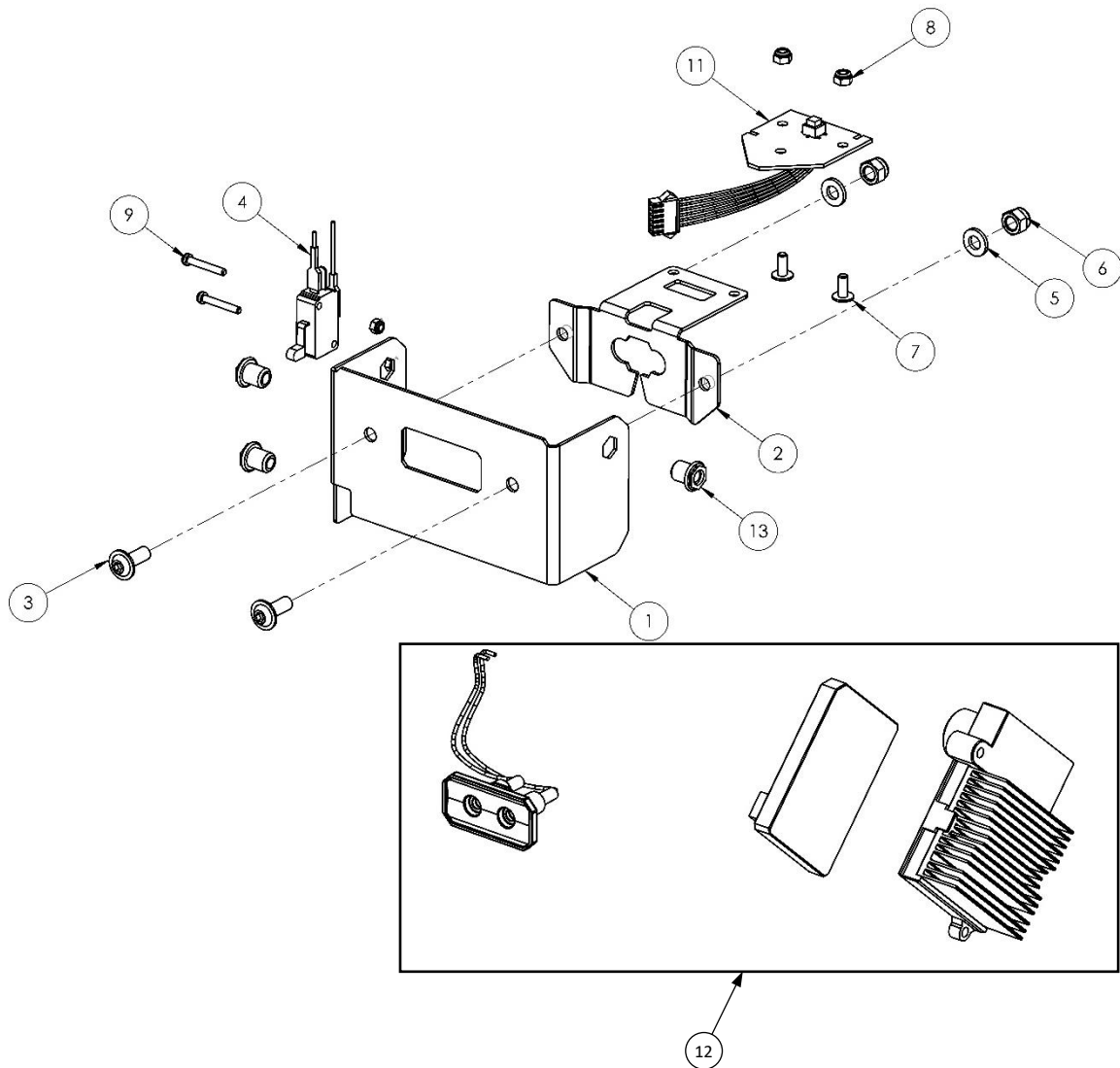
ITEM NO.	P/N STIRLING 43/51	DESCRIPTION	QTY.
1	F016J13032	BATTERY DOCK FRAME	1
2	F016J13066	BATTERY DOCK ELECTRIC MODULE (see page)	1
3	F016J13090	EGO BATTERY DOCK ASSEMBLY (see pag)	1
4	M6_16_SDF	M6 x 16 SDF BZP ISO 4017	2
5	F016J13294	EGO SELF TAPPING SCREW 5610294001 4.0 X 16.0	6
6	F016J13280	4908 LED CONTROL ELECTRIC ASSEMBLY 2830414001	1
7	F016J13284	ELECTRIC ASSEMBLY 2830416001	1
8	F016J13285	4908 FUSE PCBA 2830216002	1
9	F016J11067	M6 REDUCED HEAD HEX RIVNUT	4
10	F016J13287	INTERNAL WIRE ASSEMBLY 4860615001	1
11	F016J13543	JST CONNECTOR HOUSING BLANK	1
12	F016J13549	CABLE CLAMP	1
13	AM81068	CABLE TIE 4.8mm x 290mm BLACK	2
14	F016J13421	EDGING STRIP 20MM	2
15	F016J13422	EDGING STRIP 40MM	1

F016J13090 BATTERY DOCK



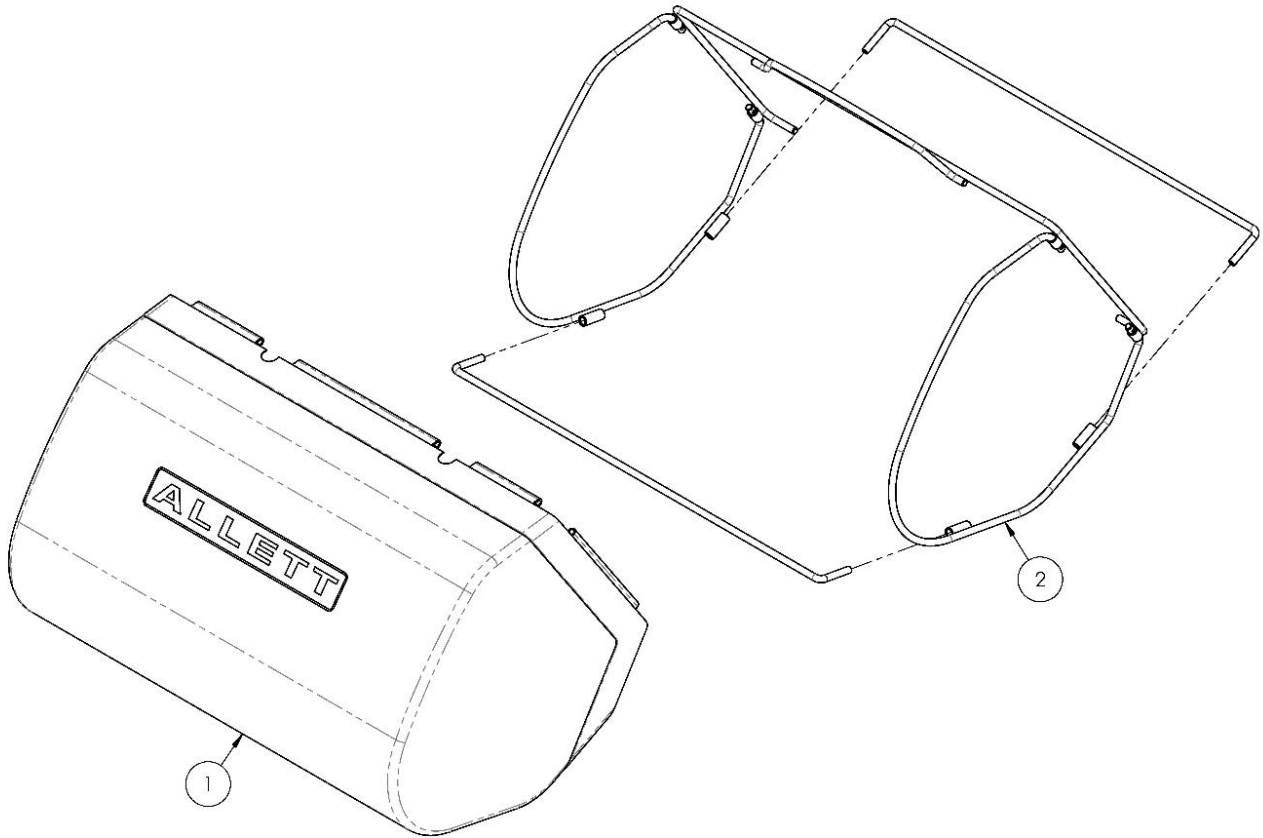
ITEM NO.	P/N STIRLING 43/51	DESCRIPTION	QTY.
1	F016J13031	BATTERY DOCK 3129073001	1
2	F016J13282	WIRING HARNESS 4860570001	1
3	F016J13272	RELEASE LEVER 2 3127498001	1
4	F016J13273	RELEASE LEVER 1 3127497001	1
5	F016J13275	TERMINAL BLOCK SUPPORT 3128359001	1
6	F016J13276	LOWER LEVER 3126773001	2
7	F016J13277	LEVER CLAMP 3122798001	4
8	F016J13271	SLOT COVER MOULDING 3128361001	2
9	F016J13274	RELEASE LEVER SPRING 3660013003	1
10	F016J13278	SPRING 3660306002	2
11	F016J13296	SELF TAPPING SCREW 3.0 X 16.0	8
12	F016J13423	4 x 15 POZI PAN HEAD POLYFIX SCREW	8

F016J13066 BATTERY DOCK ELECTRIC MODULE



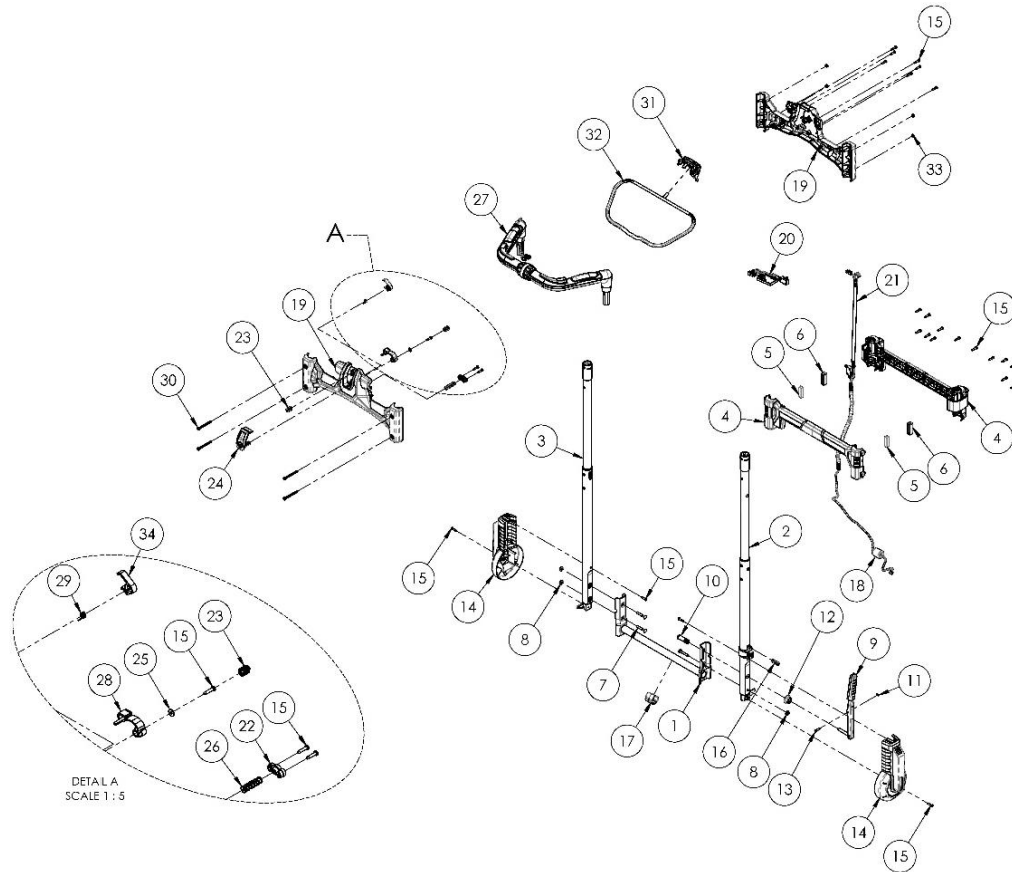
ITEM NO.	PART NUMBER	DESCRIPTION	QTY.
1	F016J13064	COVER PLATE	1
2	F016J13059	BRACKET	1
3	M6_16_SDF	M6 x 16 SDF BZP ISO 4017	2
4	F016J13279	EGO SWITCH ASSEMBLY 2826165001	1
5	WM6	M6 PLAIN WASHER FORM A	2
6	M6_NYLOC_NUT	M6 x NYLOC NUT BZP ISO 10514	2
7	M4_10_SDF	M4 x 10 SDF BZP ISO 4017	2
8	M4_NYLOC	M4 NYLOC NUT	2
9	SM320	M3 x 20 POZI BZP ISO 4017	2
10	NNM3	NUT M6 NYLOC	2
11	F016J13288	4908 PUSH BUTTON PANEL PCBA 2830414001	1
12	F016J13283	4909.1_ELECTRIC ASSEMBLY 2826492002	1
13	F016J11067	M6 REDUCED HEAD HEX RIVNUT	3

F016J13060 GRASS BAG ASSEMBLY 51 / F016J13200 GRASS BAG ASSEMBLY 43



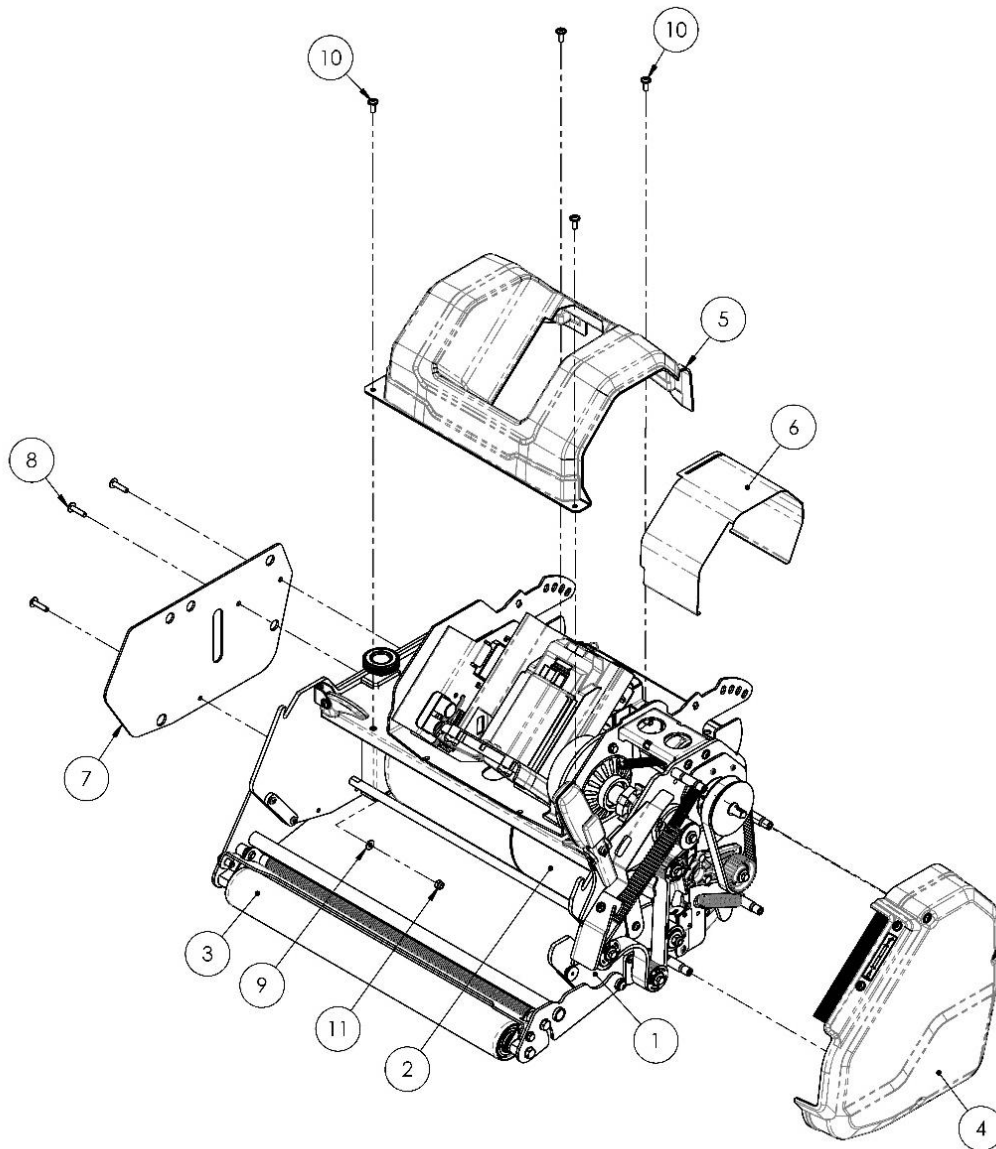
ITEM NO.	P/N 51	P/N 43	DESCRIPTION	QTY.
1	F016J13061	F016J13201	GRASS BAG	1
2	F016J13062	F016J13202	GRASS BAG FRAME	1

F016J13270 HANDLE ASSEMBLY



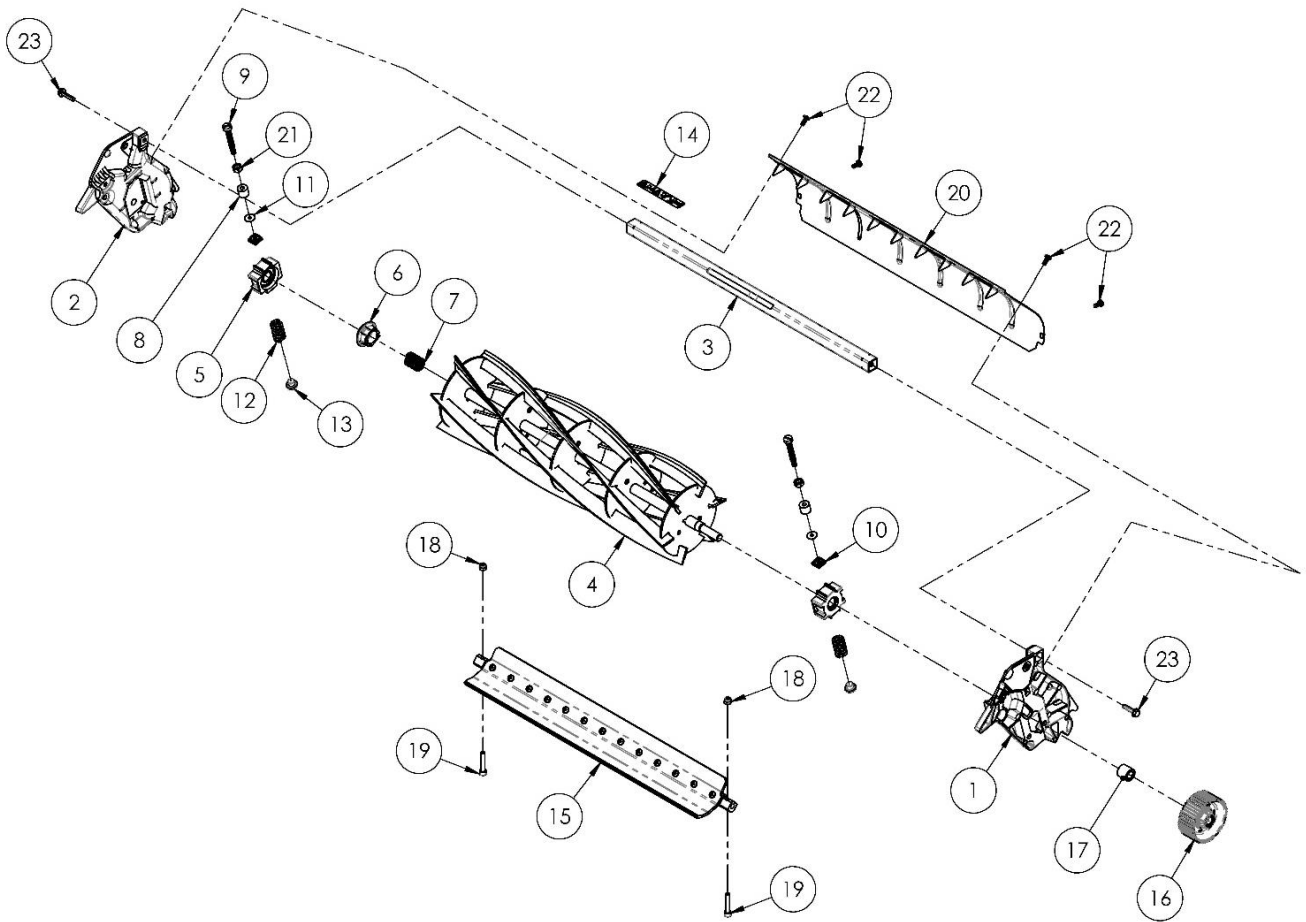
ITEM NO.	P/N STIRLING 43/51	DESCRIPTION	QTY.
1	F016J13508	Spindle ASSY	1
2	F016J13516	Telescope Tube	1
3	F016J13526	Telescope Tube	1
4	F016J13527	Beam Assembly	1
5	F016J13528	Rubber Block	2
6	F016J13529	Clamp Block	2
7	F016J13513	Square Neck Bolt	3
8	F016J13512	Prevailing Torque Hexagon Nut	3
9	F016J13535	Handle Lever Set	1
10	F016J13532	Sleeve	1
11	F016J13533	E Ring	1
12	F016J13531	Nut	1
13	F016J13534	Pin	1
14	F016J13510	Decorative Cover ASSY	1
15	F016J13511	Hexagon Socket Screw	27
16	F016J13536	Compression Spring	1
17	F016J13509	Switch Actuator	1
18	F016J13507	Magnet Ring	1
19	F016J13505	Switch Box ASSY	1
20	F016J13515	4909.1 Switch Electric Assembly	1
21	F016J13514	Internal Wire ASSY	1
22	F016J13517	Clamp	1
23	F016J13502	Spring	2
24	F016J13503	Button	1
25	F016J13519	Plain Washer	1
26	F016J13518	Compression Spring	1
27	F016J13522	Handle Set	1
28	F016J13520	Switch Actuator	1
29	F016J13525	Torsion Spring	1
30	F016J13504	Hexagon Socket Screw	4
31	F016J13521	Switch Lever	1
32	F016J13523	Control Handle	1
33	F016J13506	Prevailing Torque Hexagon Nut	4
34	F016J13524	Switch Actuator	1

F016J1300 COVERS ASSEMBLY 51 / F016J13300 COVERS ASSEMBLY 43



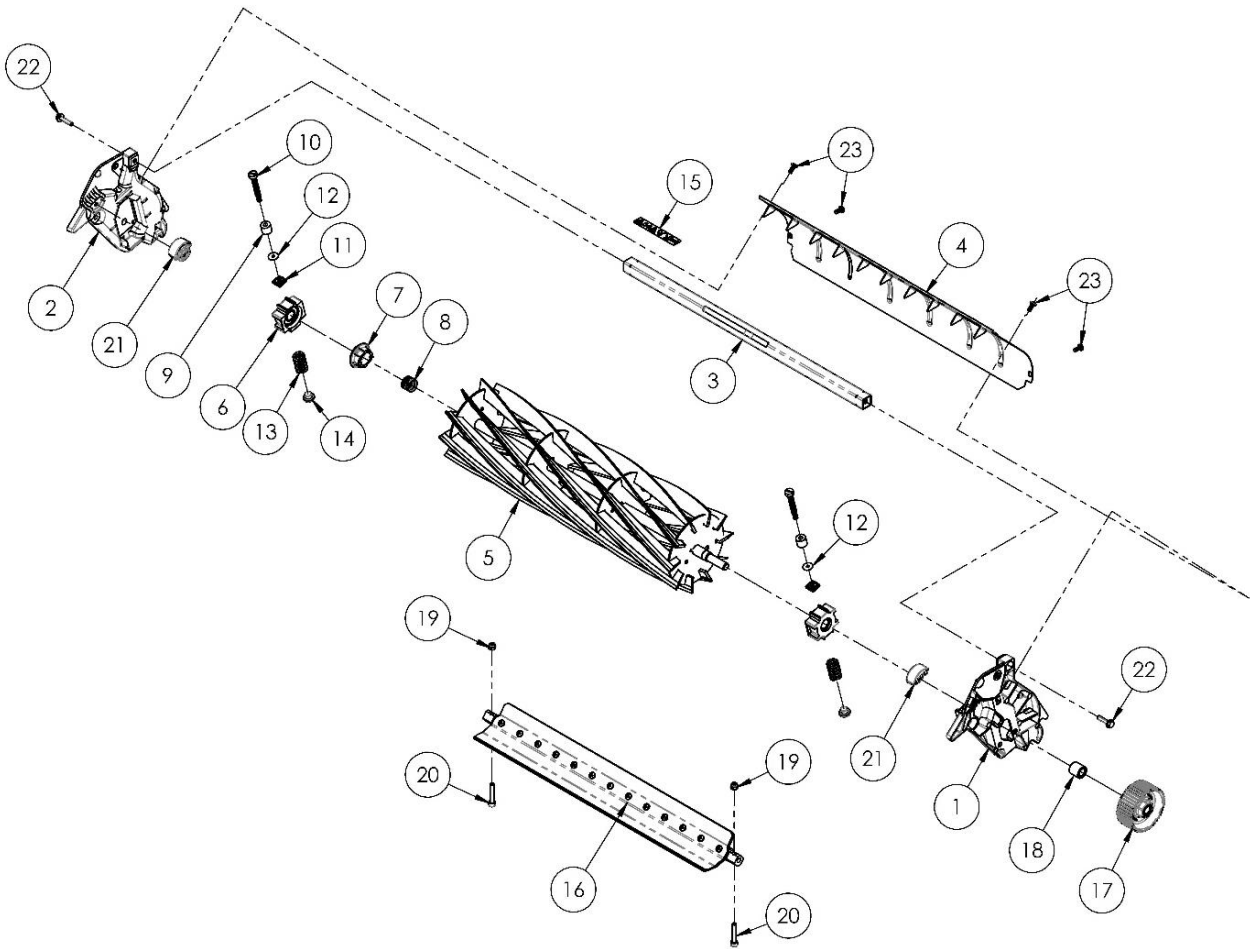
ITEM NO.	P/N 51	P/N 43	DESCRIPTION	QTY.
1	F016J13010	F016J13310	CHASSIS FRAME	1
2	F016J13820	F016J13410	REAR ROLLER ASSY	1
3	F016J13080	F016J13320	FRONT FROLLER SUBFRAME	1
4	F016J13485	-	DRIVE GUARD ASSEMBLY	1
5	F016J13028	-	BATTERY DOCK COVER	1
6	F016J13021	F016J13313	DRIVE GUARD	1
7	F016J13009	-	COVER PLATE	1
8	M6_25_SDF	-	M6 x 25 SDF BZP ISO 4017	4
9	WM6C	-	WASHER M6 Form C	3
10	M6_16_SDF	-	M6 x 16 SDF BZP ISO 4017	4
11	M6_NYLOC_NUT	-	M6 x NYLOC NUT BZP ISO 10514	1

F016J13560 CYLINDER ASSEMBLY 6 BLADE 51 / F016J13550 CYLINDER ASSEMBLY 6 BLADE



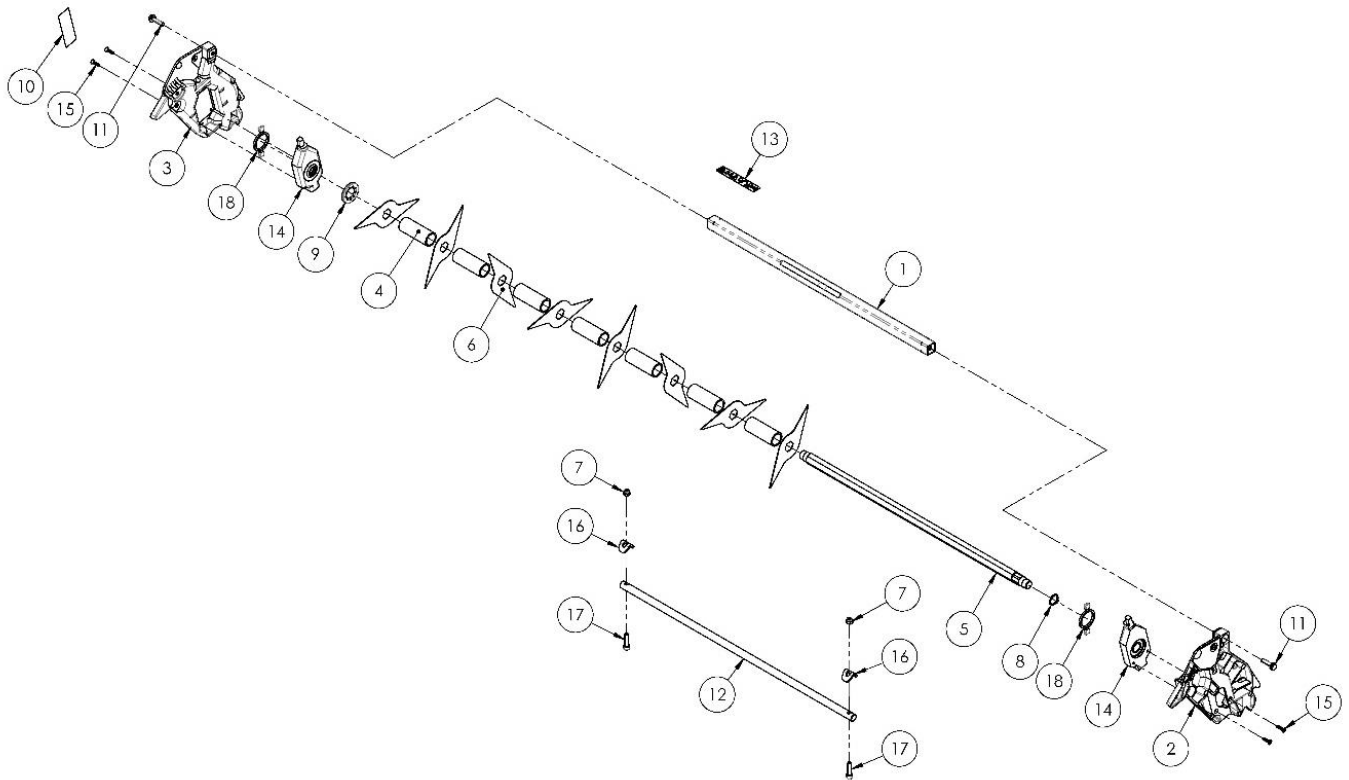
ITEM NO.	P/N 51	P/N 43	DESCRIPTION	QTY.
1	F016A75001	-	Cassette Side L/H	1
2	F016A75002	-	Cassette Side R/H	1
3	F016A75053	F016A75052	Cassette Handle Assy	1
4	F016A58821	F016A58820	Cylinder Assembly	1
5	F016A58853	-	BEARING HOUSING S/A	2
6	F016A58854	-	BEARING SHIELD	1
7	F016A58856	-	COMPRESSION SPRING	1
8	F016A57669	-	Round Adjuster	2
9	F016A57713	-	Adjuster Screw	2
10	F016T41057	-	Adjuster Square	2
11	F016T49443	-	Washer Ptfе	2
12	F016T47205	-	Compression Spring	2
13	F016J13414	-	SPACER	2
14	F016J10404	-	Thrown Object & Blade Warning Decal	1
15	F016J11750	F016J11745	BLADE ASSY	1
16	F016J13223	-	CARTRIDGE PULLEY	1
17	F016J13548	-	SPACER	1
18	F016L35388	-	Nut M6 Nyloc	2
19	SCM635	-	M6 X 12 CAP HEAD	2
20	F016A75881	F016A57527	DELIVERY PLATE ASSY	1
21	F016L35457	-	NUT M8 D/C	2
22	F016A57756	-	SCREW M5 X 12 TAPTITE	4
23	F016T49288	-	M6X35	2

UC5110 CYLINDER ASSEMBLY 10 BLADE 51 / UC4310 CYLINDER ASSEMBLY 10 BLADE 43



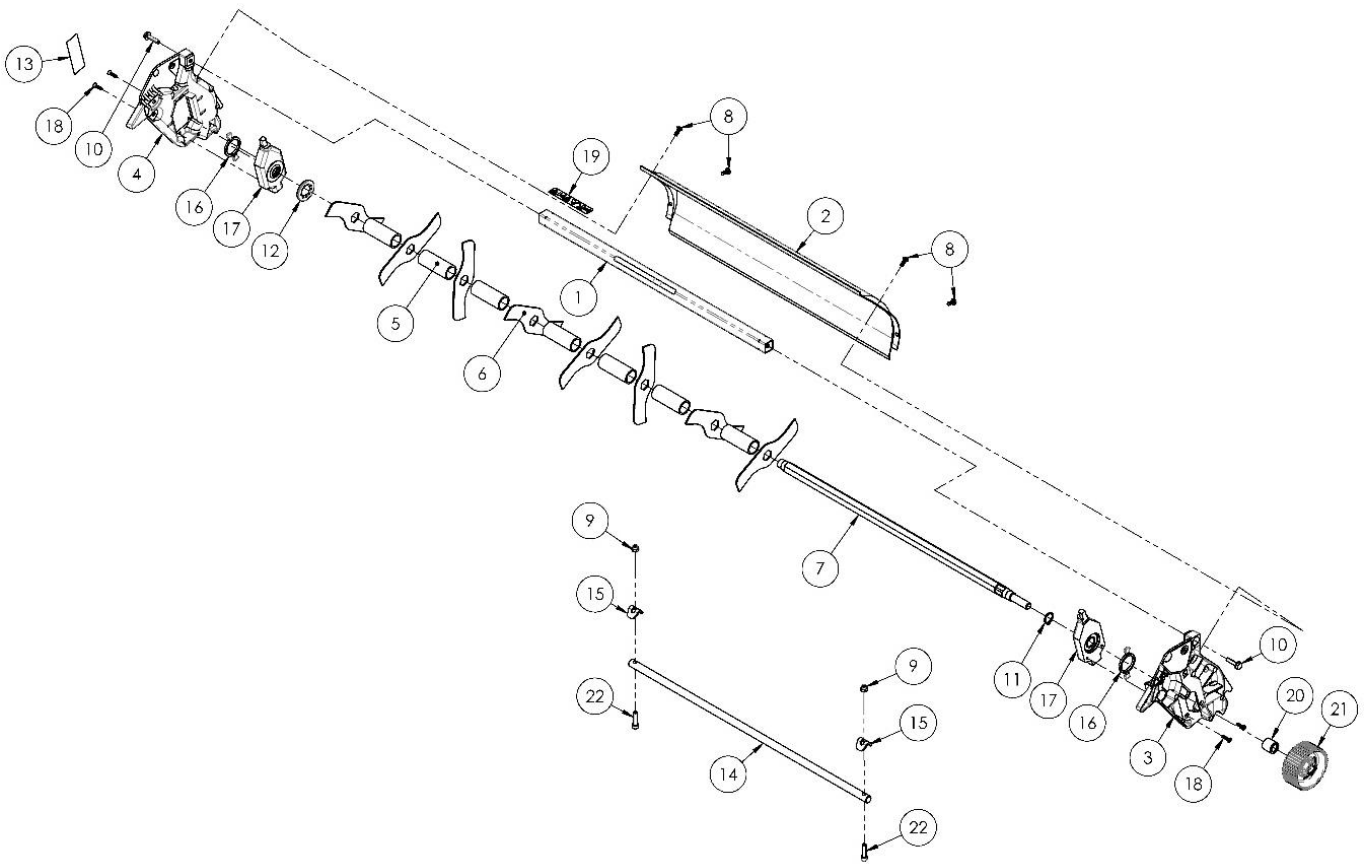
ITEM NO.	P/N 51	P/N 43	DESCRIPTION	QTY.
1	F016A75001	-	Cassette Side L/H	1
2	F016A75002	-	Cassette Side R/H	1
3	F016A75053	F016A75052	Cassette Handle Assy	1
4	F016A75881	F016A57527	DELIVERY PLATE	1
5	F016A58921	F016A58920	10 Blade Cylinder	1
6	F016A58853	-	BEARING HOUSING S/A	2
7	F016A58854	-	BEARING SHIELD	1
8	F016A58856	-	COMPRESSION SPRING	1
9	F016A57669	-	Round Adjuster	2
10	F016A57713	-	Adjuster Screw	2
11	F016T41057	-	Adjuster Square	2
12	F016T49443	-	Washer Ptfе	2
13	F016T47205	-	Compression Spring	2
14	F016J13414	-	SPACER	2
15	F016J10404	-	Thrown Object & Blade Warning Decal	1
16	F016J11749	F016J11744	SPORTS BLADE ASSY	1
17	F016J13223	-	CARTRIDGE PULLEY	1
18	F016J13548	-	SPACER	1
19	F016L35388	-	Nut M6 Nyloc	2
20	SCM635	-	M6 X 12 CAP HEAD	2
21	F016A58811	-	Grassbox Buffer	2
22	F016T49288	-	M6X35	2
23	F016A57756	-	SCREW M5 x 12 TAPTITE	4

UC51A AERATOR CARTRIDGE51 / UC43A AERATOR CARTRIDGE 43



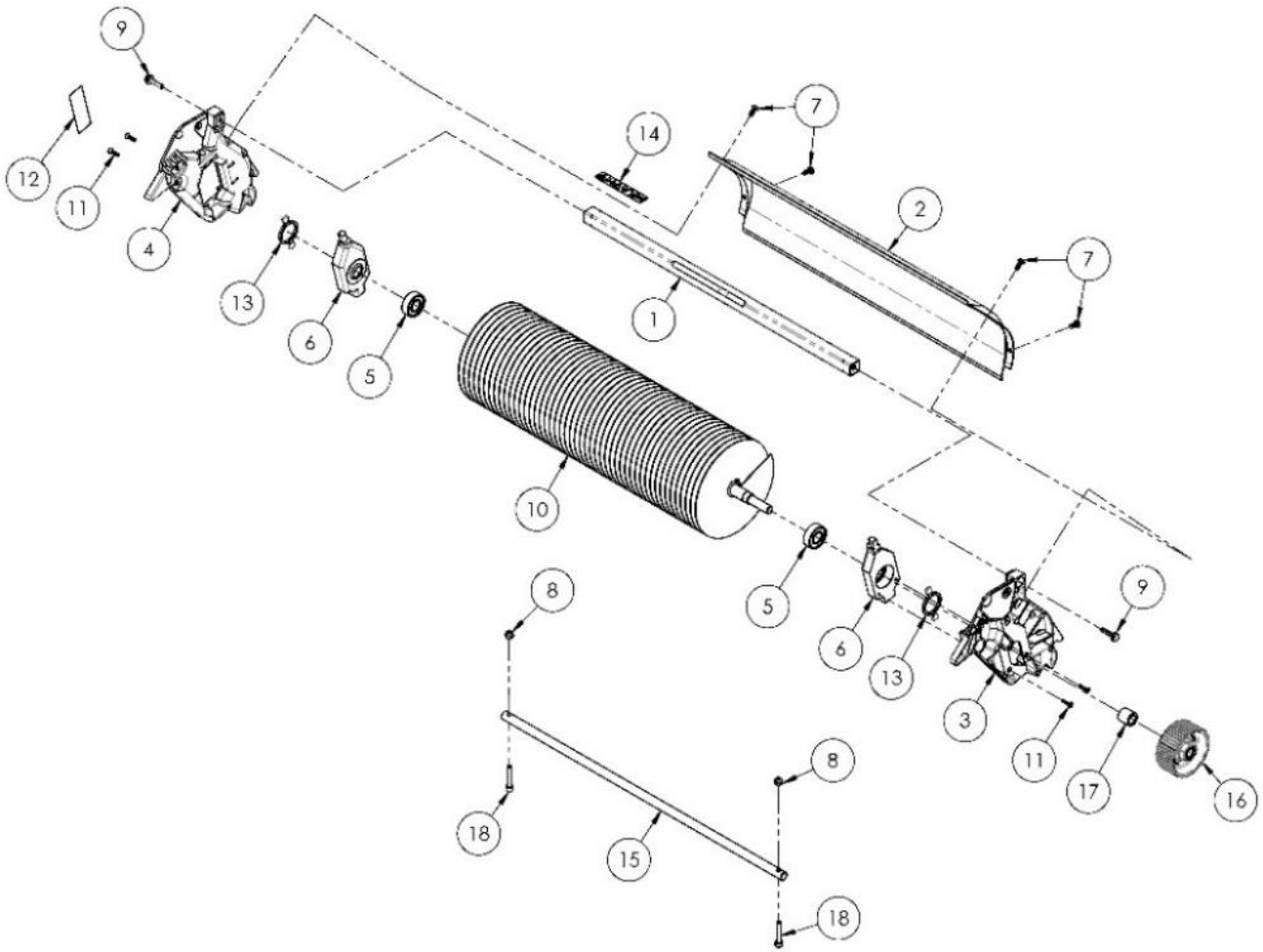
ITEM NO.	P/N 51	P/N 43	DESCRIPTION	QTY 51	QTY 43
1	F016A75053	F016A75052	Cassette Handle Assy	1	-
2	F016A75001	-	Cassette Side L/H	1	-
3	F016A75002	-	Cassette Side R/H	1	-
4	F016J10275	-	64mm Cartridge Spacer Steel	7	-
5	F016J10257	F016J10258	Qc Hex Cartridge Shaft	1	-
6	F016J10246	-	Qc Aerator Blade	8	7
7	F016L35388	-	Nut M6 Nyloc	2	-
8	F016J10286	-	11/16" Bowed External Retaining Ring	1	-
9	F016J10287	-	3/4" STARLOCK WASHER	1	-
10	F016J10234	-	Rating Label	1	-
11	F016T49288	-	M6X35	2	-
12	F016J13177	F016J13178	BLADE BAR	1	-
13	F016J10404	-	Thrown Object & Blade Warning Decal	1	-
14	F016A75006	-	SHIELD HOUSING SUB-ASSEMBLY	2	-
15	f016a75003	-	Self Cutting Screw 8.16 X 1/2	4	-
16	F016J13927	-	SPACER BRACKET	2	-
17	SCM625	-	M6 X 25 CAP HEAD	2	-
18	F016A75005	-	Retaining Snap Ring	2	-

UCD51 DETHATCHER CARTRIDGE 51 / UC43D DETHATCHER CARTRIDGE 43



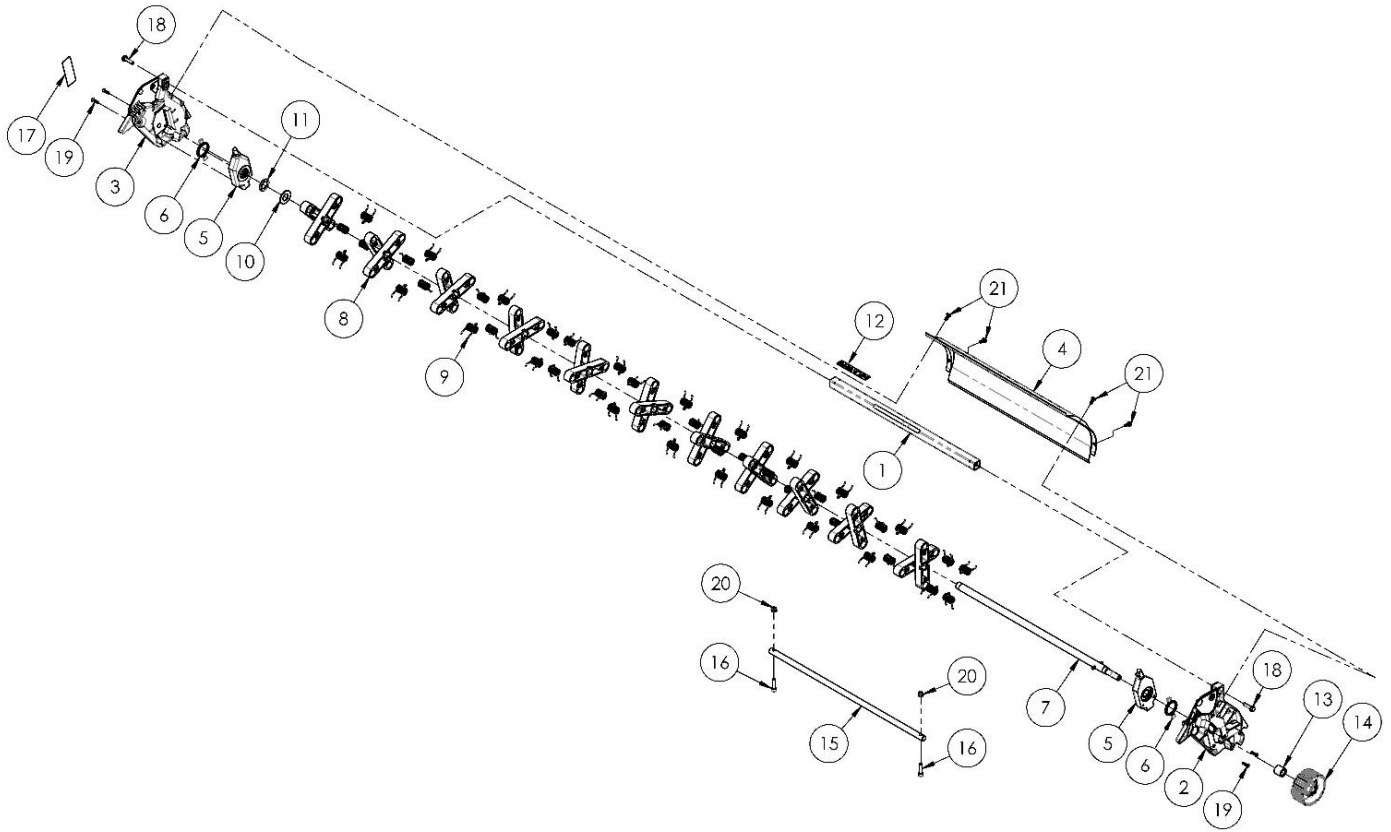
ITEM NO.	P/N 51	P/N 43	DESCRIPTION	QTY 51	QTY 43
1	F016A75053	F016A75052	Cassette Handle Assy	1	-
2	F016A75544	F016A75543	Delivery Plate	1	-
3	F016A75001	-	Cassette Side L/H	1	-
4	F016A75002	-	Cassette Side R/H	1	-
5	F016J10275	-	64mm Cartridge Spacer Steel	7	-
6	F016J10245	-	Qc Dethatcher Blade	8	7
7	F016J10242	F016J10255	Qc Hex Cartridge Shaft	1	-
8	F016A57756	-	SCREW M5 x 12 TAPTITE	4	-
9	F016L35388	-	Nut M6 Nyloc	2	-
10	F016T49288	-	M6X35	2	-
11	F016J10286	-	11/16" Bowed External Retaining Ring	1	-
12	F016J10287	-	3/4" STARLOCK WASHER	1	-
13	F016J10234	-	Rating Label	1	-
14	F016J13177	F016J13178	BLADE BAR	1	-
15	F016J13927	-	SPACER BRACKET	2	-
16	F016A75005	-	Retaining Snap Ring	2	-
17	F016A75006	-	SHIELD HOUSING SUB-ASSEMBLY	2	-
18	f016a75003	-	Self Cutting Screw 8.16 X 1/2	4	-
19	F016J10404	-	Thrown Object & Blade Warning Decal	1	-
20	F016J13548	-	SPACER	1	-
21	F016J13223	-	CARTRIDGE PULLEY	1	-
22	SCM625	-	M6 X 25 CAP HEAD	2	-

UC51B BRUSH CARTRIDGE 51 / UC43B BRUSH CARTRIDGE 43



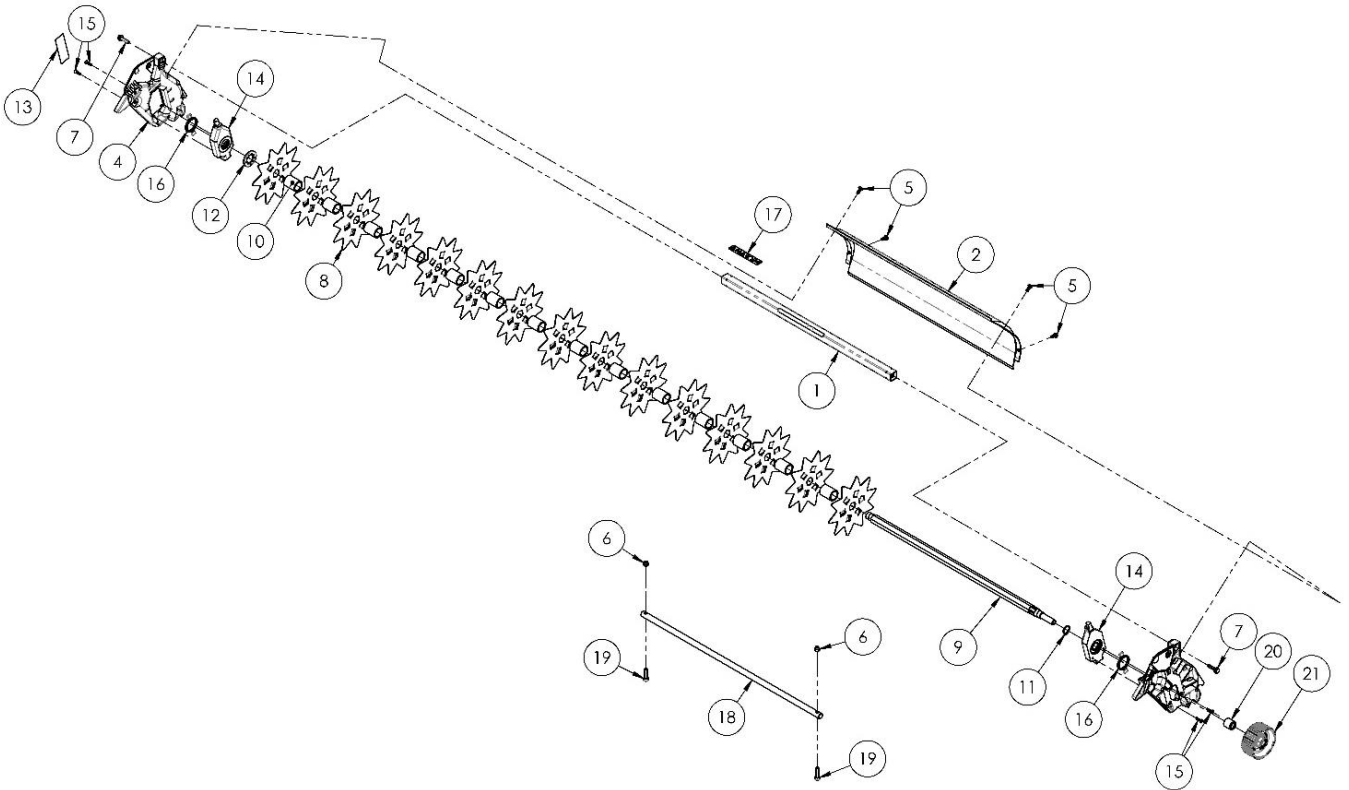
ITEM NO.	P/N 51	P/N 43	DESCRIPTION	QTY.
1	F016A75053	F016A75052	Cassette Handle Assy	1
2	F016A75544	F016A75543	Delivery Plate	1
3	F016A75001	-	Cassette Side L/H	1
4	F016A75002	-	Cassette Side R/H	1
5	F016A58741	-	Ball Bearing C6202 2Rs	2
6	F016A75004	-	Static Shield Housing	2
7	F016A57756	-	SCREW M5 x 12 TAPTITE	4
8	F016L35388	-	Nut M6 Nyloc	2
9	F016T49288	-	M6X35	2
10	F016J10273	F016J13945	Brush Assy	1
11	f016a75003	-	Self Cutting Screw 8.16 X 1/2	4
12	F016J10234	-	Rating Label	1
13	F016A75005	-	Retaining Snap Ring	2
14	F016J10404	-	Thrown Object & Blade Warning Decal	1
15	F016J13177	F016J13178	BLADE BAR	1
16	F016J13223	-	CARTRIDGE PULLEY	1
17	F016J13548	-	SPACER	1
18	SCM635	-	M6 X 12 CAP HEAD	2

UC51SC SCARIFIER CARTRIDGE 51 / UC43SC SCARIFIER CARTRIDGE 43



ITEM NO.	P/N 51	P/N 43	DESCRIPTION	QTY 51	QTY 43
1	F016A75053	F016A75052	Cassette Handle Assy	1	-
2	F016A75001	-	Cassette Side L/H	1	-
3	F016A75002	-	Cassette Side R/H	1	-
4	F016A75544	F016A75543	Delivery Plate	1	-
5	F016A75006	-	SHIELD HOUSING SUB-ASSEMBLY	2	-
6	F016A75005	-	Retaining Snap Ring	2	-
7	F016A75380	F016A75379	SHAFT	1	-
8	F016A57926	-	TINE CARRIER	13	11
9	F016T47920	-	SPRING	52	44
10	F016A58725	-	WASHER 1.1/4 x 5/8 x .072	1	-
11	F016A58860	-	RATCHET PLATE 16mm	1	-
12	F016J10404	-	Thrown Object & Blade Warning Decal	1	-
13	F016J13548	-	SPACER	1	-
14	F016J13223	-	CARTRIDGE PULLEY	1	-
15	F016J13177	F016J13178	BLADE BAR	1	-
16	SCM635	-	M6 X 12 CAP HEAD	2	-
17	F016J10234	-	Rating Label	1	-
18	F016T49288	-	M6X35	2	-
19	f016a75003	-	Self Cutting Screw 8.16 X 1/2	4	-
20	F016L35388-1	-	Nut M6 Nyloc	2	-
21	F016A57756	-	SCREW M5 x 12 TAPTITE	4	-

UC51V VERTICUTTER CARTRIDGE 51 / UC43V VERTICUTTER CARTRIDGE 43



ITEM NO.	P/N 51	P/N 43	DESCRIPTION	QTY 51	QTY 43
1	F016A75053	F016A75052	Cassette Handle Assy	1	-
2	F016A75544	F016A75543	Delivery Plate	1	-
3	F016A75001	-	Cassette Side L/H	1	-
4	F016A75002	-	Cassette Side R/H	1	-
5	F016A57756	-	SCREW M5 x 12 TAPTITE	4	-
6	F016L35388	-	Nut M6 Nyloc	2	-
7	F016T49288	-	M6X35	2	-
8	F016J10243	-	Qc Verticutter Blade	15	13
9	F016J10242	F016J10255	Qc Hex Cartridge Shaft	1	-
10	F016J10276	-	32Mm Cartridge Spacer	14	12
11	F016J10286	-	11/16" Bowed External Retaining Ring	1	-
12	F016J10287	-	3/4" STARLOCK WASHER	1	-
13	F016J10234	-	Rating Label	1	-
14	F016A75006	-	SHIELD HOUSING SUB-ASSEMBLY	2	-
15	f016a75003	-	Self Cutting Screw 8.16 X 1/2	4	-
16	F016A75005	-	Retaining Snap Ring	2	-
17	F016J10404	-	Thrown Object & Blade Warning Decal	1	-
18	F016J13177	F016J13178	BLADE BAR	1	-
19	SCM625	-	M6 X 25 CAP HEAD	2	-
20	F016J13548	-	SPACER	1	-
21	F016J13223	-	CARTRIDGE PULLEY	1	-