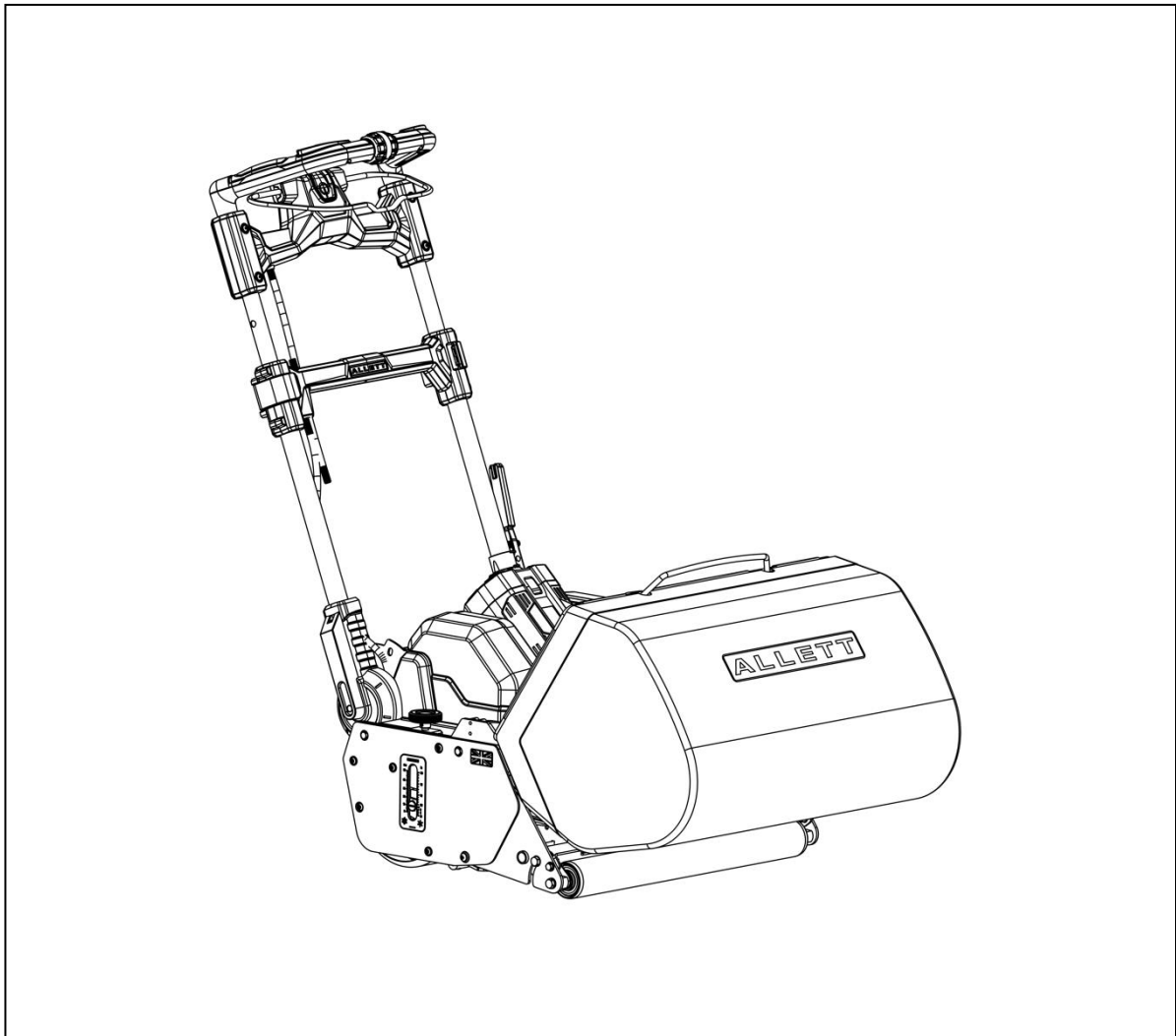




56 Volt Lithium-Ion Battery Cordless Cylinder Mower

Model Numbers: STIR43 / 1 and STIR51 / 1



OPERATOR'S MANUAL



STIRLING 43

STIRLING 51

For serial numbers: STIR43/1-21-0001 & STIR51/1-21-0001 onward

Original instructions: English version

Allett Limited, Regal House, Airfield Industrial Estate, Hixon, Stafford, ST18 0PF, United Kingdom
Tel: +44 (0) 1889 271503 sales@allett.co.uk www.allett.co.uk

For Allett spare parts tel: +44 (0) 1889 27209

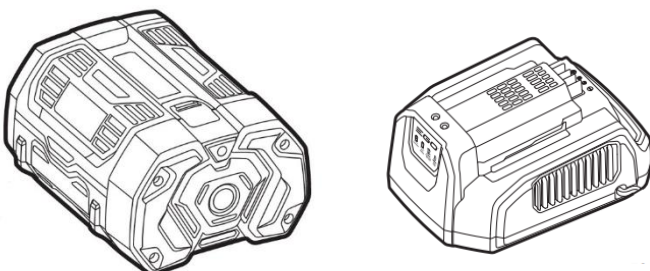
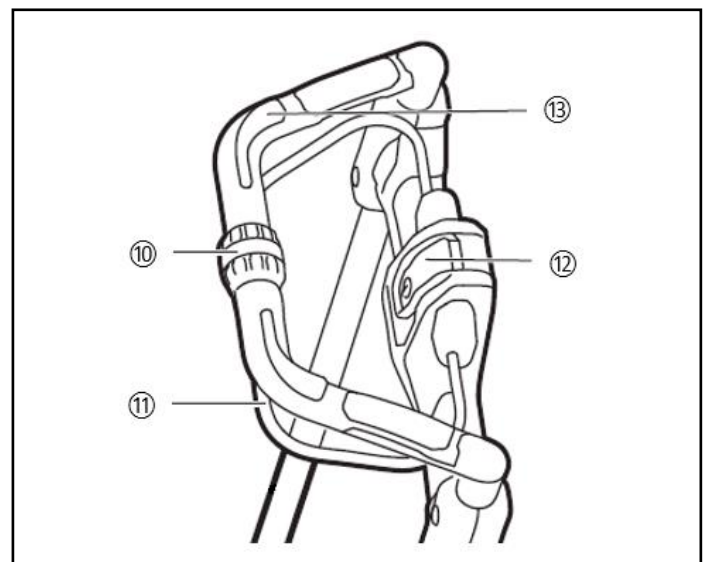
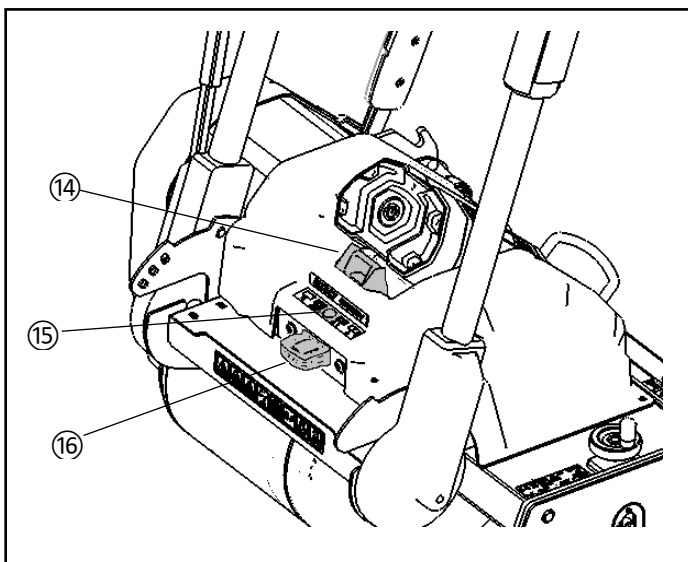
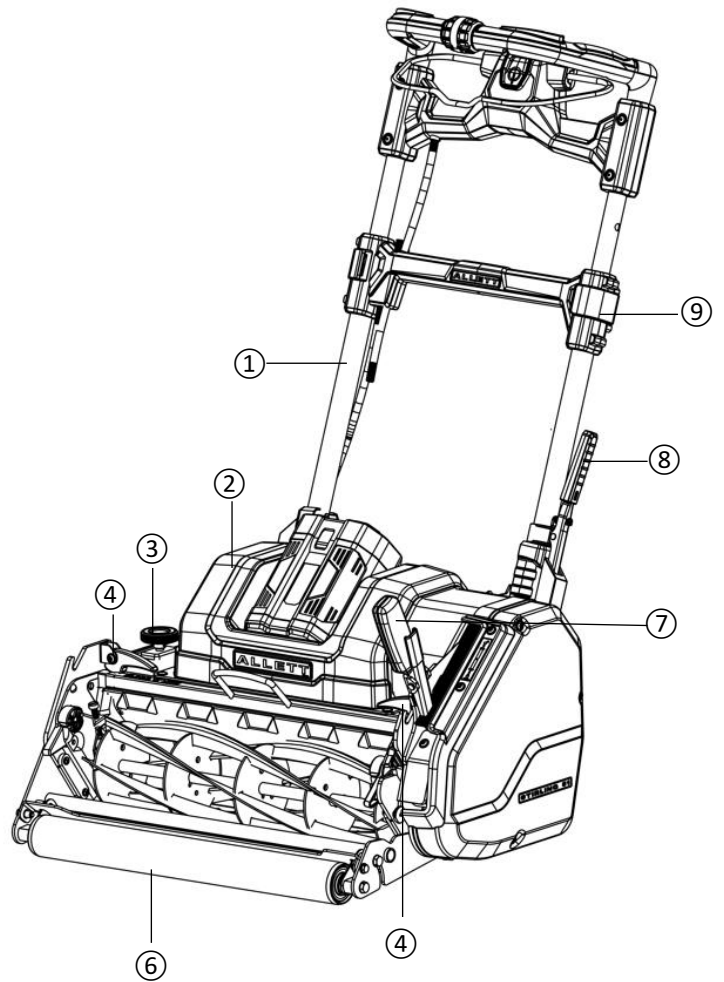
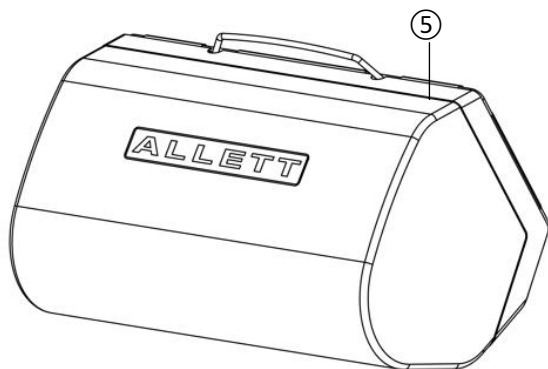
READ THIS MANUAL BEFORE USING AN ALLETT STIRLING 43 OR 51 CYLINDER MOWER

YOUR SAFETY IS INVOLVED

IT IS ESSENTIAL THAT OPERATORS STUDY THIS DOCUMENT FOR THEIR OWN SAFETY

Operating controls

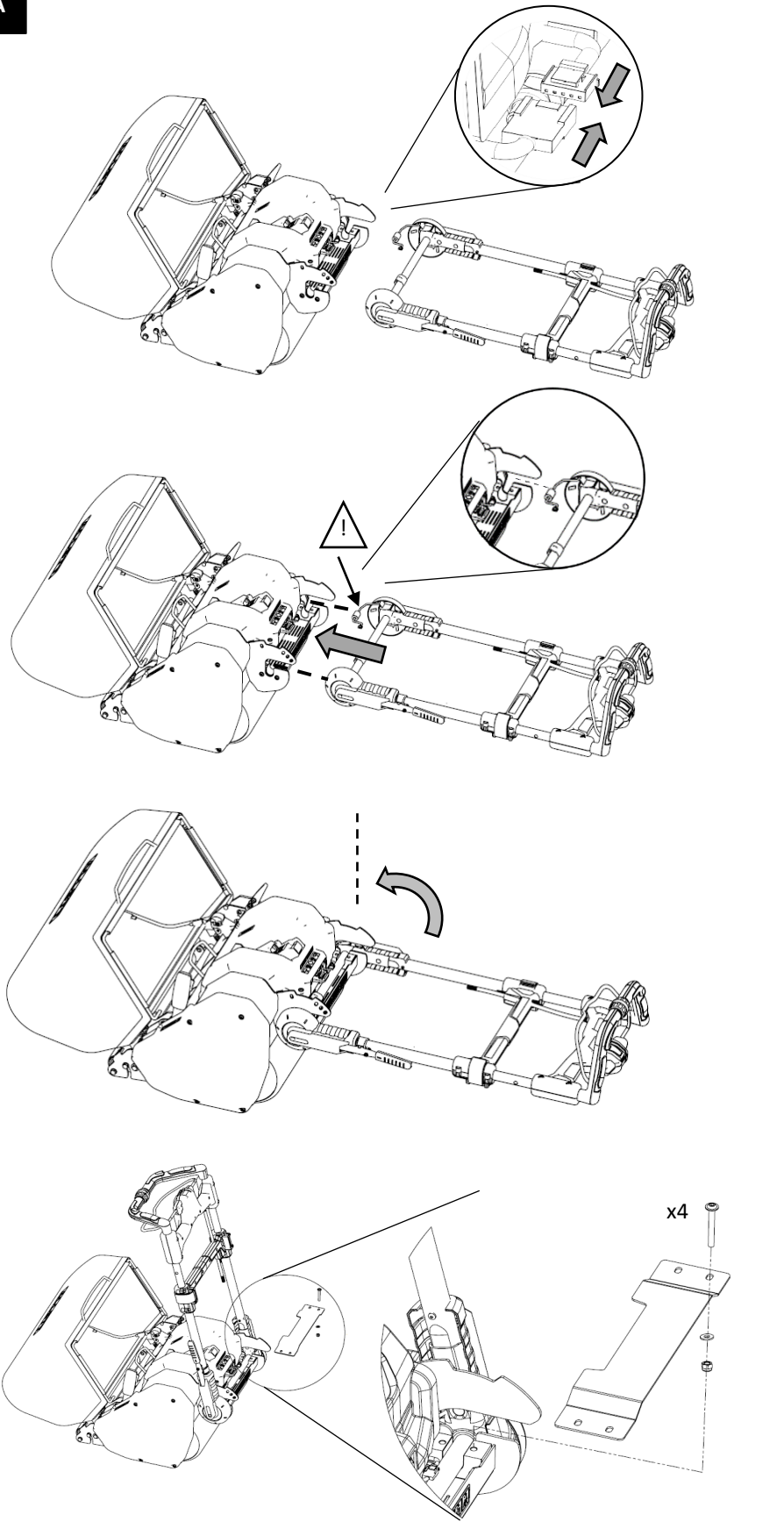
- 1) Handle
- 2) Battery dock
- 3) HiteRite™ grip
- 4) Cartridge clamp
- 5) Grass bag
- 6) Front roller
- 7) Cartridge securing lever
- 8) Quick adjust lever (handle pivot)
- 9) Handle locking clamp
- 10) RotoShift™ grip
- 11) Cylinder bail bar
- 12) Safety button
- 13) RotoShift™ switch
- 14) Battery release button
- 15) Power indicator
- 16) Isolation key

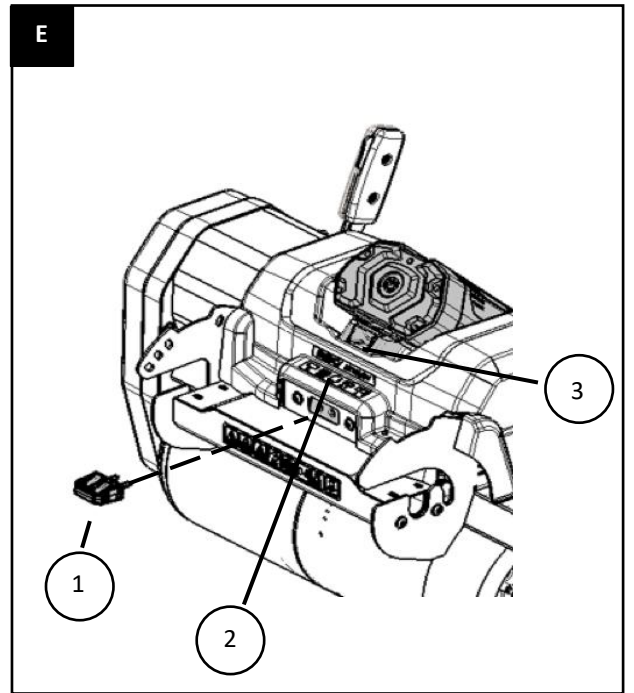
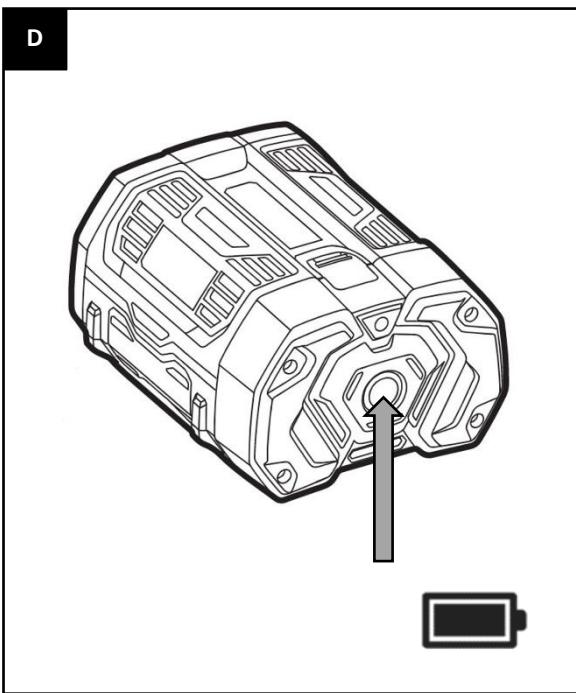
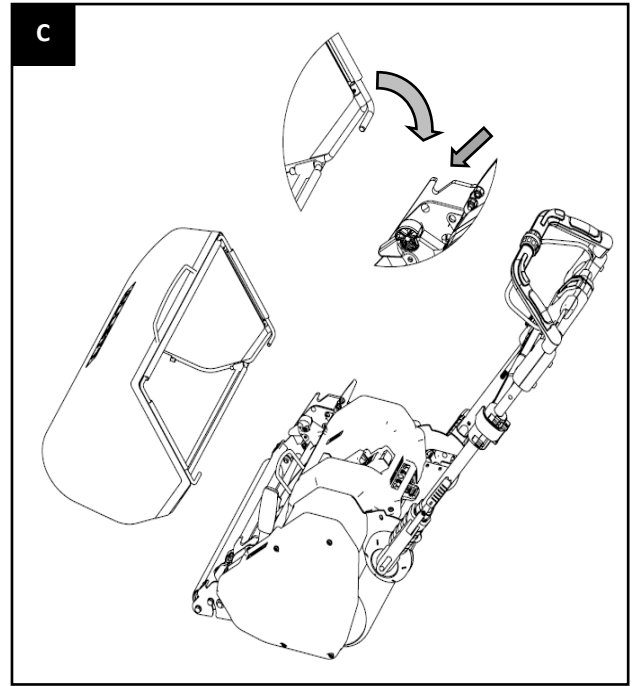
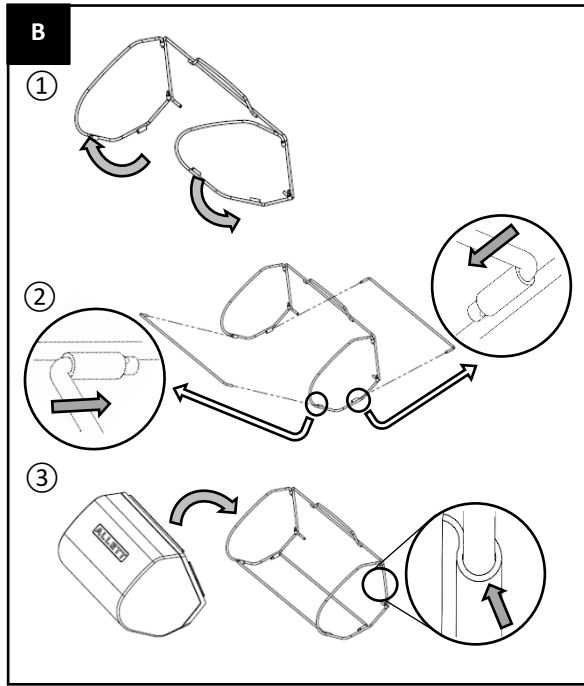


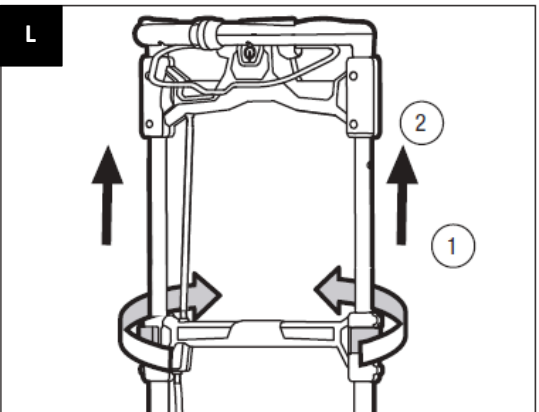
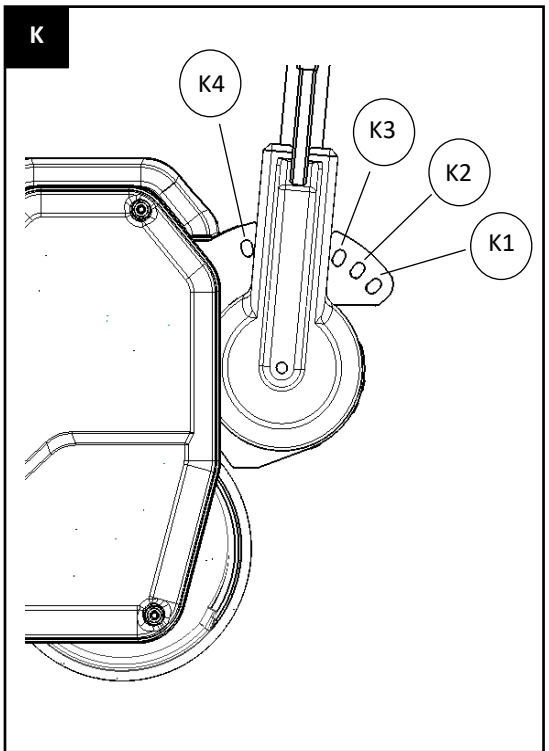
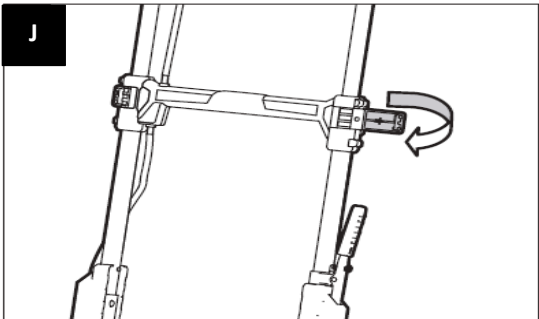
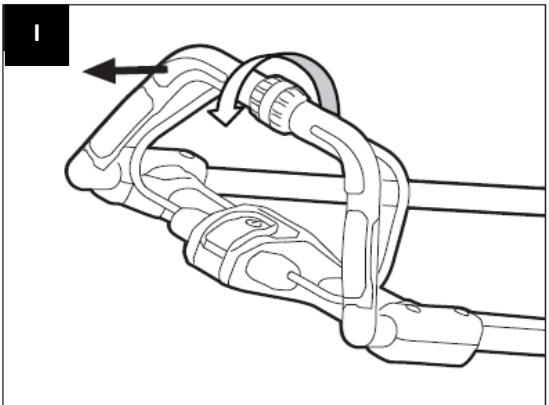
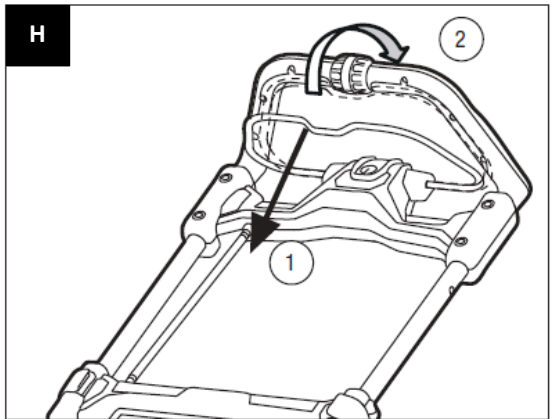
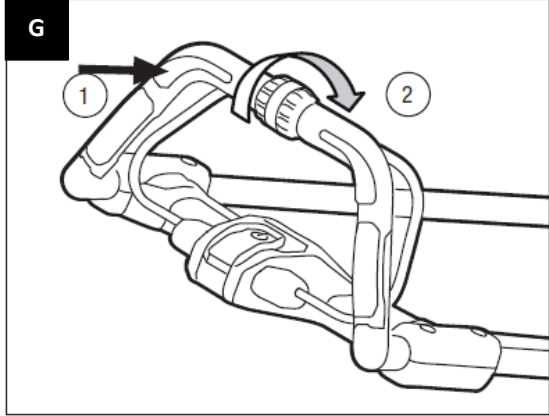
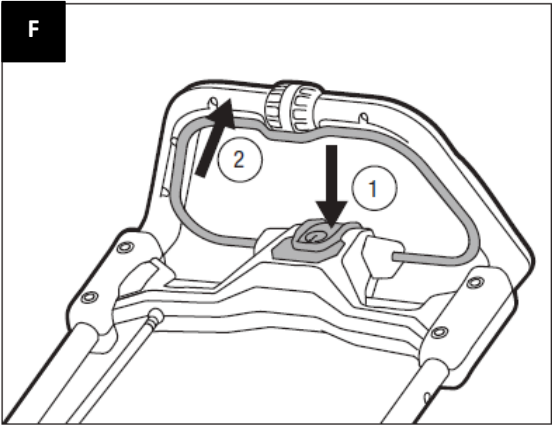
EGO CH2100E - Standard Charger
 EGO CH5500E - Rapid Charger

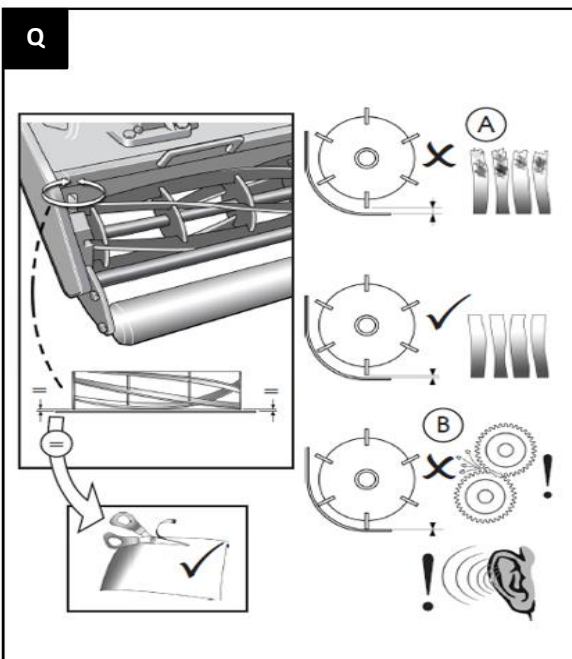
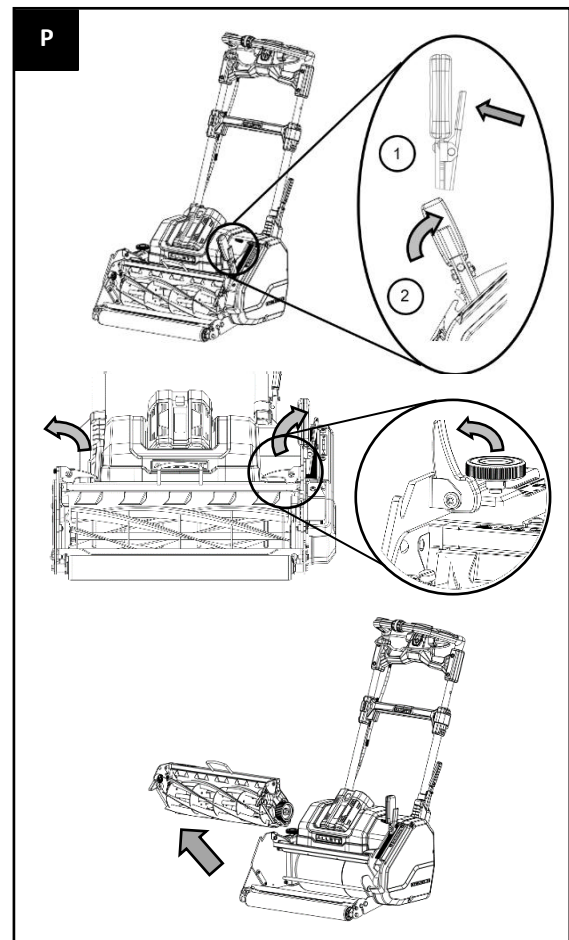
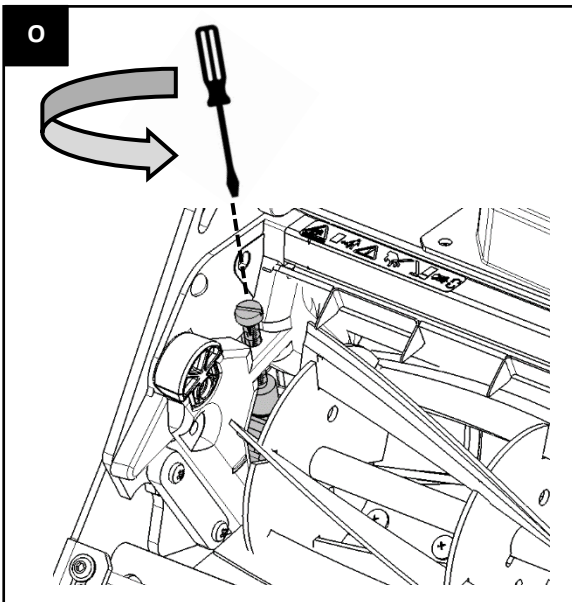
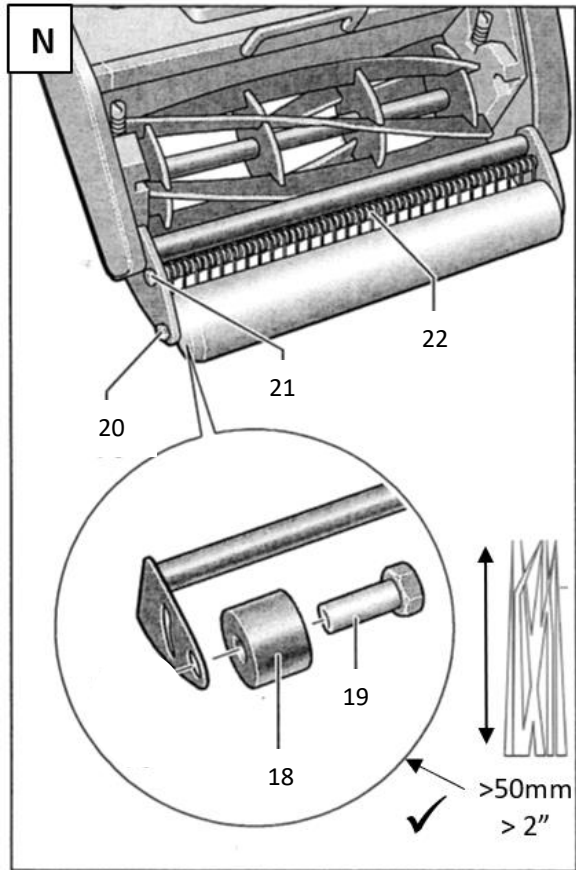
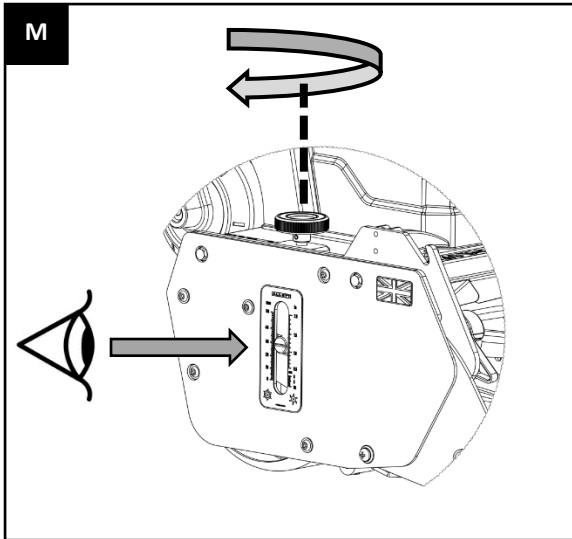
EGO BA2800T 5.0Ah - Battery
 EGO BA5600T 10.0Ah - Battery

A









Intended use

This product is intended for domestic lawnmowing on good quality frequently mown turf where the grass height is less than 50mm.

Introduction

This manual gives instructions on the correct assembly and safe use of your machine. It is important that you read these instructions carefully. When fully assembled, the machine is greater than 20kg in weight. If necessary, obtain assistance to remove it from the packaging. Take care if carrying the mower as the blades are sharp.

The Stirling mower has been designed predominantly as a lawn mower. However, the base unit can accept a range of interchangeable cartridges to cover a number of turf management tasks. These can be purchased separately from Allett Ltd or your local Allett dealer.

A Stirling mower should be operated, serviced, and repaired only by persons who are familiar with its characteristics and who are familiar with the relevant safety procedures.

The safety precautions outlined in this manual and all other generally recognised regulations on safety must be observed at all times.

Any modifications carried out to a Stirling mower will relieve Allett Limited of liability for any resulting damage or injury.

Allett Limited reserves the right to amend product specifications without prior notification.

Model type and serial number

The model can be found in two places:

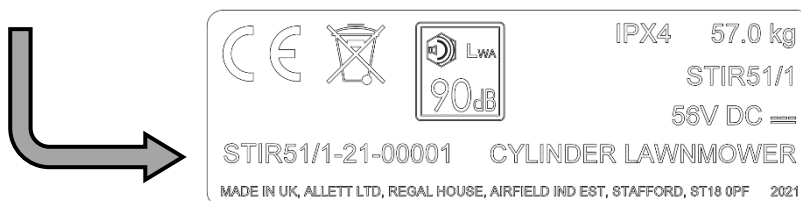
1. On the top cover of the mower.
2. On the serial number plate located on the right side of the mower chassis.

The serial number can be found on the serial plate.

Please enter your information below

Model: Stirling 43 Stirling 51

Serial Number: Mode/Type – Date – Serialised No. _____




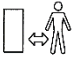






Safety Notes

Important! Warning! Read these instructions carefully, be familiar with the controls and the proper use of the lawnmower.

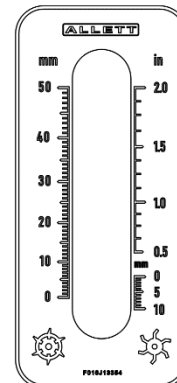
Keep these instructions for future reference.

Explanation of symbols on the lawnmower

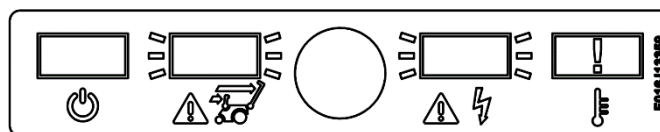
	General hazard safety alert
	Read instruction manual
	Beware of thrown or flying objects
	Keep bystanders at a safe distance from machine
	Switch off and remove isolation key before adjusting, cleaning and before leaving the lawnmower unattended for any period.
	Sharp blade(s). Beware of severing toes or fingers.
	Wait until all machine components have completely stopped before touching them. The blades continue to rotate after the machine is switched off, a rotating blade can cause injury.
	Never allow children to use the lawnmower, children should be supervised to ensure they do not play with the machine. Always remove the isolation key, even when in storage.



Cartridge securing lever



Height of cut / depth of cultivation



Power indicator status

Never allow people unfamiliar with these instructions to use the lawnmower.

Local regulations may restrict the age of the operator.

This machine is not intended for use by children or by persons with reduced physical, sensory or mental capabilities, or lack of experience and knowledge unless they have been given supervision or instruction concerning the use of the machine by a person responsible for their safety.

Never mow while people, especially children or pets, are nearby.

The operator or user is responsible for accidents or hazards occurring to other people or their property.

Do not operate the lawnmower when barefoot or wearing open sandals, always wear substantial footwear and long trousers.

Thoroughly inspect the area where the lawnmower is to be used and remove all stones, sticks, wires, bones and other foreign objects.

Before using, always visually inspect to see that the blades, blade bolts and cutter assembly are not worn or damaged.

Replace worn or damaged blades and bolts in sets to preserve balance.

Mow only in daylight or in good artificial light.

Avoid operating the lawnmower in wet grass, where feasible.

Walk, never run.

Mowing on banks can be dangerous:

- Mow across the face of slopes – never up and down.
- Always be sure of your footing on slopes or wet grass.
- Exercise extreme caution when changing direction on slopes.
- Do not mow excessively steep slopes.
- Use extreme caution when stepping back or pulling the lawnmower towards you.
- Never mow by pulling the mower towards you.

Stop the blades if the lawnmower has to be tilted for transportation when crossing surfaces other than grass and when transporting the lawnmower to and from the area to be mowed.

Do not tilt the machine when starting or switching on the motor, except if the machine has to be tilted for starting in long grass. In this case, do not tilt it more than necessary and tilt only the part which is away from the operator. Always ensure that both hands are in the operating position before returning the machine to the ground.

Never operate the appliance with defective guards or shields, or without safety device, for example deflectors and/or grass catchers in place.

Switch on the lawnmower according to instructions and with feet well away from the blades.

Disengage all blade and drive clutches before starting the motor.

Keep clear of discharge opening at all times.

Always stand clear of the discharge zone when operating the machine.

Never pick up or carry the lawnmower while the motor is running.

Do not put hands or feet near, or under, rotating parts while the lawnmower is being operated.

Be careful during adjustment of the lawnmower to prevent entrapment of the feet and hands between moving blades and fixed parts of the lawnmower.

Always wear gloves if carry out maintenance near the sharp blades.

Remove the isolation key and batteries:

- Whenever you leave the machine
- Before clearing a blockage
- Before checking, cleaning, or working on the lawnmower
- After striking a foreign object. Inspect the lawnmower for damage and make repairs as necessary
- If the lawnmower starts to vibrate abnormally (check immediately).
- When in storage or being folded for storage
- Before transporting the machine

Keep all nuts, bolts, and screws tight to be sure that the lawnmower is in safe working condition.

Check the grass catcher frequently for wear or deterioration.

Replace worn or damaged parts for safety.

Ensure replacement parts fitted are approved

TECHNICAL DATA

Designation:	Stirling 43 battery Cylinder lawnmower	Stirling 51 battery Cylinder lawnmower
Machine Model/type	STIR43/1	STIR51/1
Voltage (Max V)	56V DC	56V DC
Blade width (cm)	43	51
Height of cut (mm)	10-50	10-50
Grass box capacity (l)	62l	70l
Self-propelled	✓	✓
Weight (kg)	53kg	57kg
IP rating	IPX4	IPX4

DELIVERED ITEMS

Lawnmower with cutting cylinder cartridge

Handle assembly

Grass bag frame

2 x grass bag cross bars

Fabric grass bag

Operator's Manual, QuickStart sheet, Product registration card

4mm Allen key

Spanner

1 x Cover plate

4 x M6x50mm screws

2 x Auxiliary plastic wheels & stub axles

Battery (If mower/battery/charger bundle purchased)

Charger (If mower/battery/charger bundle purchased)

ASSEMBLY

Assembling the handle to the mower (See Fig. A)

WARNING! - Remove the battery from the mower to prevent accidents during assembly

1. Locate the electrical connector on the handle, next locate the mating connector one on the mower. The connector on the mower will be on the rear right-hand side near the base of the top cover. Push the connectors together making sure the mating orientation is correct and the lock is secure.
2. Start with the handle lying flat on the ground. Next locate the slots in the chassis and the blocks where the handle will be mounted. It is important that the handle electrical wiring goes through the right-hand slot in the chassis first (right hand from operators' position). With the wiring in place position the handle on the mower, pass the handle through the slots so it rests in the mounting blocks. Tuck any spare cable in the tray below the mounting blocks.
3. Pivot the handlebars up and lock in the upright storage/maintenance position using the quick adjust lever (see section on Handle height adjustment)
4. Fit the cover plate to secure the handle to the mower. Use 4 x M6 x 50mm fasteners, 4 x M6 washers and 4 x M6 nyloc nuts. Tighten the nuts with a minimum torque of 12Nm

Assembling the grass bag (See Fig. B)

How to assemble the grass bag

1. Fold both side frames out
2. Attach the cross bars to secure the frame in the open position, please take note of cross bar orientation in Figure B
3. Fit the fabric grass bag over the frame so that the solid material base is opposite the handle, secure with the plastic clips









How to fit the grass bag to the mower (See Fig. C)

Locate the grass bag frame into the slots on both sides of the mower chassis (See Fig C)

BATTERIES AND CHARGING

Checking battery capacity (See Fig. D)

Press the power button on the battery (See Figure D) to display the charge level or its working condition via the 5 LED indicator. The charge levels are as follows:

Battery charge level / working condition	5-LED indicator	Remarks
80% ≤ Charge level ≤ 100%		5-LED shining green
60% ≤ Charge level < 80%		4-LED shining green
40% ≤ Charge level < 60%		3-LED shining green
20% ≤ Charge level < 40%		2-LED shining green
10% ≤ Charge level < 20%		1-LED shining green
Charge level < 10%		1-LED flashing red
Low voltage		5-LED flashing red The battery pack is nearly depleted and needs to be charged immediately
Over temperature		5-LED shining red Cool the battery pack until the temperature drops below 67°C.

Charging the battery

NOTE: The battery is not shipped fully charged. It is recommended to fully charge before use to ensure that maximum run time can be achieved. This lithium-ion battery will not develop a memory and may be charged at any time. In normal conditions a 5Ah battery (BA2800/BA2800T) can be full charged in approximately 100 mins with the standard charger (CH2100E).

To charge the battery proceed as follows:

Plug the charger into a Mains AC power outlet (220-240V ~ 50Hz)

1. Insert the battery into the charger
2. When the battery pack is charging, the green LED on the charger will flash and the power indicator on the battery will flash.
3. When the battery pack is fully charged, the green LED will stop flashing and will shine green continuously. The power indicator on the battery pack will go out. Wait until the cooling fan stops, remove the battery pack from the charger and disconnect the charger from the power supply.
4. It is good practice to unplug the charger and remove the Lithium-Ion battery pack when not in use.

For further information please refer to the Operator's manual for the battery

Isolation key

Battery-operated products do not have to be plugged into an electrical outlet; therefore, they are always in operating condition. Be aware of possible hazards when using the lawnmower, always remove the isolating key (16) when leaving the lawnmower unattended and never let children play with the machine. Following this rule will reduce the risk of electric shock, fire, or serious injuries.

Inserting and removing the battery from the mower (See Fig. E)

WARNING: If any parts are broken or missing, do not attempt to attach the battery pack to the mower or operate the mower until the broken or missing parts are replaced. Failure to do so could result in serious injury.

To insert:

Align the raised ribs on the battery pack with the mounting slots on the battery compartment
Push the battery pack fully into the battery dock until you hear a "CLICK", make sure the battery is secured into the mower before starting

To remove:

Depress the battery-release button in the battery dock.
Pull the battery out of the battery dock

Usage time

The area cut and therefore battery duration is dependent on your lawn conditions. Mowing low in wet, dense grass will reduce the run time. To increase battery life, it is recommended to:

1. Only take 1/3 of the plant height off in a single cut, this will mean mowing frequently at least once per week.
2. Use higher heights of cut, 25mm (1") as a minimum, any lower and the grass plant can be very dense.
3. Keep the blades sharp and regularly serviced. Blunt or damaged blades will decrease battery life.

Following the recommendations above in dry conditions your mower should cover an area of approximately 800m² or run for 30 minutes on a new, fully charged 5 Ah battery.

BATTERY AND CHARGER RECOMMENDATIONS

The charger is for indoor use only

Recharge only with the charger specified by the manufacturer. A charger that is suitable for one type of battery pack may create risk of fire when used with another battery pack.

Use power tools only with specifically designated battery packs. Use of any other battery packs may create risk of injury and fire.

When battery pack is not in use, keep it away from other metal objects, like paper clips, coins, keys, nails, screws or other small metal objects that can make a connection from one terminal to another. Sorting the battery terminals together may cause burns or a fire.

Under abusive conditions, liquid may be ejected from the battery; avoid contact. If contact accidentally occurs, flush with water. If liquid contacts eyes, additionally seek medical help. Liquid ejected from the battery may cause irritation or burns.

Do not use a battery pack or tool that is damaged or modified. Damaged or modified batteries may exhibit unpredictable behaviour resulting in fire, explosion or risk of injury.

Do not expose a battery pack or tool to fire or excessive temperature. Exposure to fire of temperature above 130°C may cause explosion.

Protective circuit

The battery includes a protection circuit that will immediately turn off the battery should its temperature exceed 70°C. To warn of this event the power indicator on the mower will shine orange and the LED on the battery will flash. Stop using the mower and wait until the battery cools down to approximately 67°C before restarting the mower.

The mower has built-in overload circuit protection. When the mower is overloaded, the motor will stop and the power indicator on the mower will flash orange. If this occurs, stop using the mower and remove the battery.

Consider making the following adjustments/checks:

Check the rollers, rake, and cartridge for a build-up of material

Increase height of cut to take less material off

Set cylinder to bottom blade (reel to bed knife) contact to be lighter

Reduce the depth of cultivation if using a soil engaging cartridge

Slow down forward speed

Power indicator LED (15)

The mower is equipped with a power indicator to indicate the charge status of the battery pack and the working status of the mower. The power indicator will illuminate when the cylinder/reel is rotating. Below is a description of possible status meanings:

Power Indicator on Mower	Meaning	Action
Shining green	Mower is working properly	N/A
Flashing green	Handle is in storage/maintenance position or cartridge securing lever is not in the proper position	Check quick-adjust Lever and move the cartridge lever to the fully locked position
Flashing red	The battery is depleted	Stop the mower and charge the battery pack
Solid orange	The mower is overheated	Remove the battery from the mower, move them to the shade and cool for at least 15 minutes
Flashing orange	The mower is overloaded	Slow down your pace or raise up the cut height to decrease the load
Red and green flashing alternately	Communication timeout	Contact Allett

Starting and stopping (See Fig. F – I)

The blade continues to rotate for a few seconds after the machine is switched off. Allow the motor/blade to stop rotating before switching “on” again. To aid starting when using a cultivation cartridge push the handle (1) down lift the front wheels/roller from the floor.

The cutting blades and self-propel function are independent of each other and may be operated individually. For example, it is good practice when transporting the mower to have the blades turned off.

NOTICE: The cutting blades cannot be started unless:

The handle is locked into one of the three operating positions, see “handle height adjustment”.

The cartridge securing lever is fully forward and retaining the cartridge securely

NOTICE: To prevent serious injury, we recommend that you start the mower with self-propelled function off.

To Start the cutting blades (Fig. F)

Make sure there is a battery in the battery dock (2) and the isolation key (16) is in the key slot.

1. Depress the safety button (12) down.
2. With the safety button (12) depressed, pull the bail switch (11) upward to meet the handle and release the safety button.

To Stop the cutting blades (See Fig. H)

Fully release the bail switch, the electric brake in the Automatic Braking Mechanism will stop the blade rotation within 3 seconds of the bail switch release.

It is good practice to turn the RotoShift™ grip off until it can't be rotated.

To Start the self-propel function (See Fig. G)

1. Press one of the self-propel switches (13).
2. Turn the RotoShift™ grip (10) until you hear a “click”.

To turn the self-propel off

Release the self-propel switch and turn the RotoShift™ grip off until it can't be rotated. (Fig. I)

ADJUSTMENTS

Speed adjustment

The speed of the self-propel drive can be adjusted to suit your walking pace by turning the RotoShift grip forwards (see Fig. G). The Self-propel speed is independent of the cutter speed.

For cultivation operations it is recommended to use a relatively slow forward speed to maximise the effectiveness.

Handle height adjustment

WARNING: Do not attempt to start the mower until the handle has been locked at one of the lower 3 pre-set operating positions K1, K2, K3 in Fig K. The upper most position K4 is a storage/maintenance position. The mower will not operate when the handle is in the storage/maintenance position K4.

To adjust the foldable handle, proceed as follows:

1. Press and hold the quick adjust lever (8) to release the handle lock.
2. Pivot the handle gently into the required position then release the lever.
3. Make sure the lock pin is engaged in one of the different holes K1, K2, K3, K4 as shown in Fig K.

Handle telescopic adjustment (See Fig. J & L)

To extend the handlebars pull both locking clamps out, raise or lower the handlebar section to one of the 3 available positions. To secure the adjustment press both locking clamps in, making sure the holes line up for the clamping pins.

Height of cut adjustment (See Fig. M)

Your mower has an infinitely adjustable height of cut between 10 - 50 mm for mowing grass, for sports surfaces a lower height of cut is achievable with the 10-blade cartridge and sports blade option. Your mower can use cultivation cartridges (purchased separately) to a maximum depth of 15mm below the surface.

The height of cut is adjusted by turning the knob (7) at the right-hand side of the machine. The comb will also require adjustment, see "Comb Adjustment". The numbered scale on the side of the mower can be used as a guide for either cut height shown in mm on the Left or cultivation depth shown in mm on the right.

It is advised to start high and work down to your required cut height. Never take more than 1/3 of the plant height off in one go.

Comb adjustment (See Fig. N)

Your mower is fitted with an adjustable comb (22) which can be used on the lower heights of cut. It is set by loosening the screws (21) and rotating the comb until the tines are 6-12mm ($\frac{1}{4}$ " – $\frac{1}{2}$ ") above the ground. You may need to re-adjust after changing the height of cut. Take care not to set the comb too deep, as this could cause damage to either your mower or lawn.

Cutting long grass – side wheel kit (See Fig. N)

Your mower is fitted with a full width front roller which is suitable for normal smooth lawns. For cutting longer (>50mm, >2"), coarse grass a side wheel kit can be fitted. To fit this kit, proceed as follows:

1. Tilt the mower back and wedge securely.
2. Remove the front roller/comb assembly by removing screw (20) and removing screw (21) on both sides.
3. Fit the side wheel (18) on to the side wheel spindle (19).
4. Fit each side wheel assembly on both sides of the roller brackets as shown and fix with screw (20) from above. To refit the full width roller following steps 1-4 in reverse.

Adjusting the blade (See Fig. O & R)

The blades are correctly adjusted when the cutting cylinder (reel) lightly brushes the bottom blade (bed knife) across the full width as the cylinder is turned. The blades act like a pair of scissors. As a test, correctly adjusted blades will cut a piece of good quality writing paper (80g/m²) across the width of the blade.

The cutting cylinder (reel) should only be adjusted if the grass is not cut cleanly and evenly.

To set blades correctly on cut:

1. Tilt the mower back and wedge securely.
2. Remove the grass bag.
3. Check the cleanness of cut with paper across the cutting width.
4. Turn the adjuster screws clockwise with a flat bladed screwdriver a little at a time and check the cleanness of cut with a piece of paper as you go along. It may be necessary to only adjust one side to get a nice scissor action.

Note: setting the blades with heavy contact can cause damage to your mower!

Best practices to reduce noise and vibration

Forcing the mower to cut longer grass than intended or setting it to work at great depths may cause higher vibration and noise levels. Make sure the cylinder (reel) is accurately ground to reduce vibration. Setting minimal contact between the cylinder (reel) and bottom blade (bed knife) is critical to help reducing noise emissions (see "Adjusting the blade" section). Damaged belts or loose guards can increase noise emissions. Therefore, periodically inspect the mower for signs of wear and ensure the guards are securely attached and in good condition.

Changing a UC lawn care cartridge (See Fig. P)

The mower is fitted with a UltraChange™ (UC) cartridge which can be removed and taken to an approved service agent for sharpening.

To remove a cartridge:

1. Remove the grass bag and battery
2. Pivot the two cartridge clamps (4) upwards away from the machine
3. Press the release lever on the cartridge securing lever (7), then pivot it towards the rear of the machine until the latch pin locates in upper slot.
4. Pull the cartridge unit out using the handle

To insert a cartridge:

1. Make sure the cartridge clamps are pivoted upwards (4) and cartridge securing lever (7) is pivoted towards the rear of the machine
2. Hold the cartridge unit by the handle and slide it into the mower. There are a pair of guides either side of the chassis to help locate it correctly
3. Pivot the cartridge clamps (4) downwards towards the machine
4. Press the release lever on the cartridge securing lever (7) then pivot towards the front of the machine until the latch pin locates in lower slot. This is tensioning the belt so needs to be done quite firmly

Maintenance

WARNING: Do not at any time make any adjustment to the lawn mower without first stopping the motor, removing the isolation key and waiting for the blade to stop rotating.

Note: To ensure long and reliable service, carry out the following maintenance regularly:

- Regularly check for obvious defects such as a loose, dislodged, or damaged blade, loose fixings, and worn or damaged components.
- Check that covers and guards are undamaged and correctly fitted.
- Carry out necessary maintenance or repairs before using.
- Clean the exterior of the machine thoroughly using a soft brush and cloth. Do not use water, solvents, or polishes.
- Remove all debris, especially from around the motor.

If the mower should happen to fail despite the care taken in manufacture and testing, repair should be carried out by an Approved service agent.

Cylinder / Reel and Bottom Blade / Bed Knife sharpening

The cylinder (reel) and bottom blade (bed knife) can be re-sharpened. This is recommended every 2-3 years or as required. Blunt or dull blades will adversely affect cutting performance and battery life. Please contact your local dealer for information. You can search for your nearest registered dealer on-line at www.allett.co.uk/allett-dealer-locator

Cleaning and Storage

Clean the mower, battery and charger with a soft dry brush or cloth. If the grass box or interchangeable cutting cartridge are removed from the lawnmower, they may be cleaned with water from a hose. Lubricate the cutting cylinder (reel) with a light oil to displace any water after cleaning and when storing at the end of the season.

Remove the battery and isolation key, store both machine, battery, and charger in a safe, cool and dry place, avoiding areas of high humidity.

At the end of the season do not store the battery in the mower. Keep it in shady, cool, and dry conditions.

Disposal

Product, accessories, and packaging should be sorted for environment-friendly recycling.

The plastic components are labelled for categorised recycling.

Do not dispose of electrical power tools, batteries, or chargers into household waste!

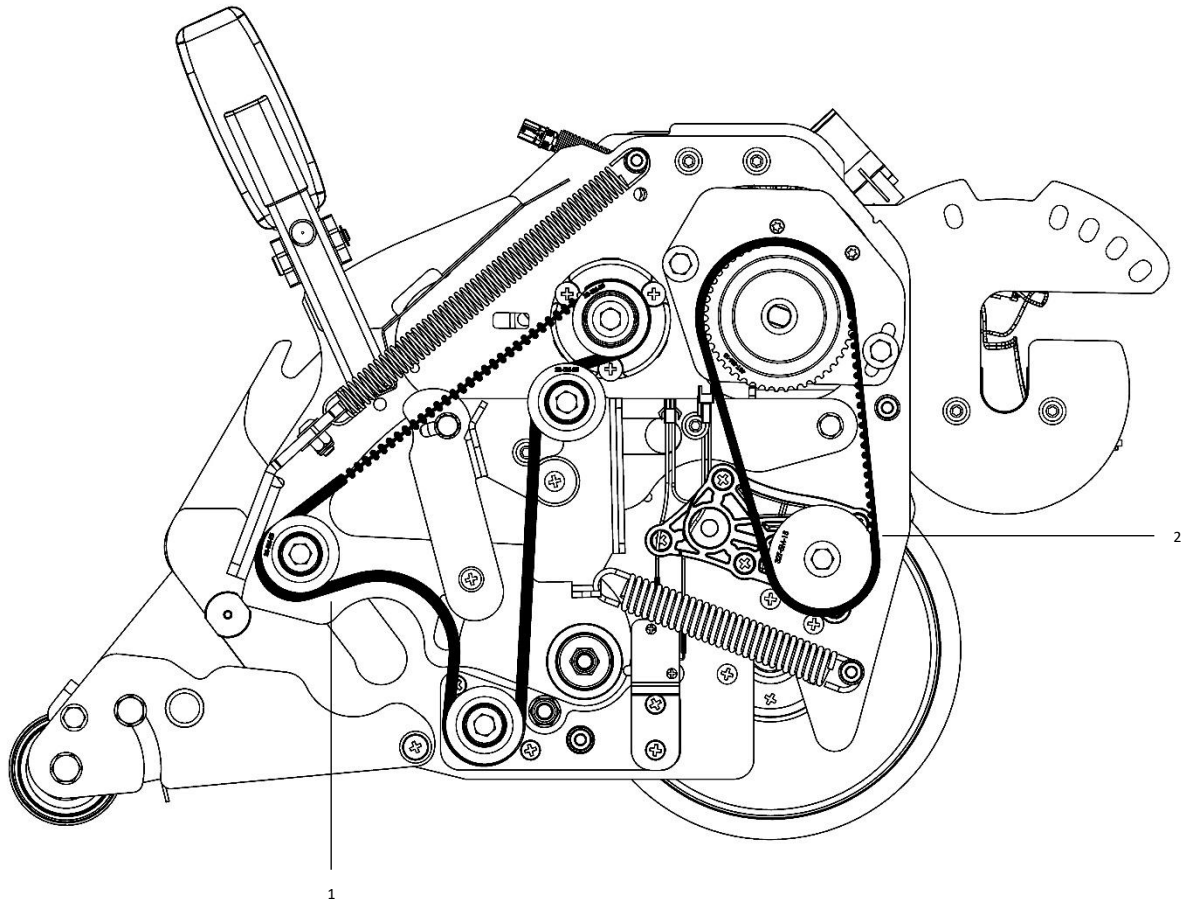
According to the European Directive 2002/96/EC on waste electrical and electronic equipment and 2006/66/EC on waste batteries it is EU law that power tools which are no longer suitable for use must be separately collected and sent for recovery in an environmentally friendly manner.

The following toxic and corrosive materials are in the batteries used with this lawnmower: Li-ion - Toxic

When disposing of damaged or end of life batteries cover the battery terminals with heavy duty adhesive tape to avoid; injury, risk of fire, explosion or electric shock.

All toxic materials must be disposed of in a specific manner to prevent contamination of the environment. Before disposing of damaged or worn-out Lithium-ion battery packs, contact your local waste disposal agency, or the local Environmental Protection Agency for information and specific instructions. Take the batteries to a local recycling and/or disposal centre, certified for Li-ion disposal.

DRIVE BELT ROUTING DIAGRAM



ITEM NO.	PART NUMBER	DESCRIPTION	QTY
1	F016J13298	CARTRIDGE DRIVE BELT	1
2	F016J13342	REAR ROLLER DRIVE BELT	1

FAULT FINDING

FAULT	POSSIBLE CAUSE	FIX
Cartridge or rear roller drive does not start	Battery not pushed fully home in battery dock	Check the battery is pushed fully into the battery dock until it clicks
	Battery not charged	Check the battery has charge
	Isolation key (16) not fitted correctly	Check the isolation key is located safely in the slot (16)
	Handlebars not assembled correctly	Check handlebar cable connection (A)
	Handlebars in storage position	Check handlebars (1) are in 1 of the 3 operating positions
	Cartridge securing lever in open / safe position	Check cartridge securing lever is fully forward (7)
Cutting cartridge does not start	Cylinder (reel) is set too tight against the bottom blade (bed knife)	Check the cylinder (reel) is set correctly and not too tight against the bottom blade (bed knife)
	Cartridge securing lever in open / safe position	Check cartridge securing lever is fully forward (7)
UC cartridge does not start	Mowing or working too low for start up	When engaging blades, tilt the mower back slightly so the blades are just clear of the ground, before lowering slowly
	Cartridge securing lever in open / safe position	Check cartridge securing lever is fully forward (7)
Rear roller drive does not start	RotoShift™ grip (10) is set to zero / off	Check RotoShift™ grip (10) is rotated forwards
	Excessive debris build up behind scraper bar or around rear roller	Clear debris from scraper bar and around rear roller
	Comb set too deep	Adjust height of comb
UC cartridges stall or cut out	Mowing or working too low	Raise cutting height and adopt little and often practice
Excessive noise / vibration	On cut too tight	Adjust blades accordingly

EC Declaration of Conformity

Stirling 43 & Stirling 51 Cylinder lawn mowers

This Declaration is issued under the sole responsibility of the manufacturer.

We: **Allett Ltd**

Of: Regal House, Airfield Industrial Estate, Hixon, Staffordshire, ST18 0PF, UK

Declare that equipment:

Model name	Machine type	Cutting width
Stirling 43	STIR43/1	0.43m
Stirling 51	STIR51/1	0.51m

Category 32 Battery Electric lawnmower

Conforms to the essential requirements of the following Directives and their amendments:

2006/42/EC, 2014/30/EU, 2000/14/EC (the conformity assessment procedure followed was in accordance with Annex VI of the Noise Directive) and has been designed and manufactured to the following standards: BS EN 60335-1, BS EN 60335-2-77.

Typically, the A-weighted noise level of the product is:

Model name	Sound pressure level at operator ear BS EN ISO 5395	Measured Sound power level 2000/14/EC	Guaranteed sound power level 2000/14/EC
Stirling 43 (43cm)	71 dB L _{PA}	81 dB L _{WA}	86 dB L _{WA}
Stirling 51 (51cm)	71 dB L _{PA}	87 dB L _{WA}	90 dB L _{WA}

Vibration emission values (triaxial vector sum) determined according to BS EN 60335-2-77

Model number	Vibration	Uncertainty (K)
Stirling 43 (43cm)	1.7 m/s ²	0.3 m/s ²
Stirling 51 (51cm)	1.7 m/s ²	0.3 m/s ²

Notified body: Vincotte NB0026, Jan Olieslagerslaan 35, 1800 Vilvoorde, Belgium

Noise Report ref: NBER-ALLETT-020 / NBER-ALLETT-021

Technical file at: Allett Ltd, Regal house, Staffordshire, ST18 0PF

I hereby declare that the equipment named above has been tested and found to comply with the relevant sections of the above referenced specifications. The unit complies with all essential requirements of the Directives.

Place: Stafford, 28/01/22.

Signature:



Austin Jarrett

Position: Managing Director

Allett Domestic Warranty Terms & Conditions

Allett Ltd guarantees this product against manufacturing defects. We will repair (or replace at our option) if a manufacturing defect occurs within the guarantee period as long as it has not been subjected to rental/hire use.

The guarantee period for domestic use is: 1-year parts and labour

For commercial or non-domestic use, the guarantee period is 60 days.

For the purpose of this guarantee:

Non-domestic use means all other uses including, commercial, income producing, but excluding rental/hire use.

To obtain a repair under this guarantee:

You must contact the place of purchase and report the problem to them. You need to have your proof of purchase and guarantee. If the dealer cannot assist in finding a solution to the problem reported, please contact Allett to report any unresolved issues.

This guarantee does not apply if:

1. The product has been resold by original purchaser (this does not apply in the Republic of Ireland), or has been used under hire.
2. The product has been modified to change the manufacturers specifications, or if non genuine replacement parts have been fitted.
3. If any previous repair was undertaken by anyone other than an Approved Service Agent.
4. The fault is due to maladjustment, abuse, neglect or accidental damage.
5. The fault is due to lack of lubrication or maintenance.
6. Damage to any part, particularly the drive or cutting mechanism has been caused by allowing the product to strike solid objects.
7. The product develops a fault due to abnormal use.
8. Failure is due to normal wear. The following parts are considered as wearing parts: (their life is dependent on regular servicing, and they are not therefore, normally covered by the guarantee. Examples of wearing parts are as follows cutting cylinder & bottom blade, cylinder, roller, drive belts & cables, bearings, chains & sprockets, plastic drive gears, pulleys, any friction related parts, and other parts what have contact with the ground **Any of the above parts replaced without prior authorisation will be rejected in the first instance.**)

Serviceable parts life is dependent on regular servicing, and they are not therefore normally considered by the guarantee. The cost of routine maintenance of the product is not covered by the guarantee *unless an Allett Service Contract is undertaken.*

It is in your best interest to follow the operating instructions for your lawnmower as a properly cared for product should give many years of excellent service cutting grass.

Always insist on genuine Allett spares or parts. Any non-genuine parts fitted within the Warranty period will result in your manufacturing Warranty becoming null and void. Any damage caused to the product through the fitting of parts not made or approved by Allett is not covered by the guarantee.

Any defective part replaced on Allett machines shall not exceed the remainder of the existing warranty period on any Allett product. Unless agreed in writing by Allett After Sales Manager or Allett Sales Manager.

Travelling costs must have prior authorisation from Allett After Sales Manager/Allett Sales Manager for any claims to be processed. Claims submitted without written prior authorisation will be rejected in first instance. Any mileage claims will be credited @0.50 pence per mile. With no exceptions

Your statutory rights are not affected by this guarantee.

When the time comes to dispose of this product, please consider the environment and take it to a recognised recycling facility.