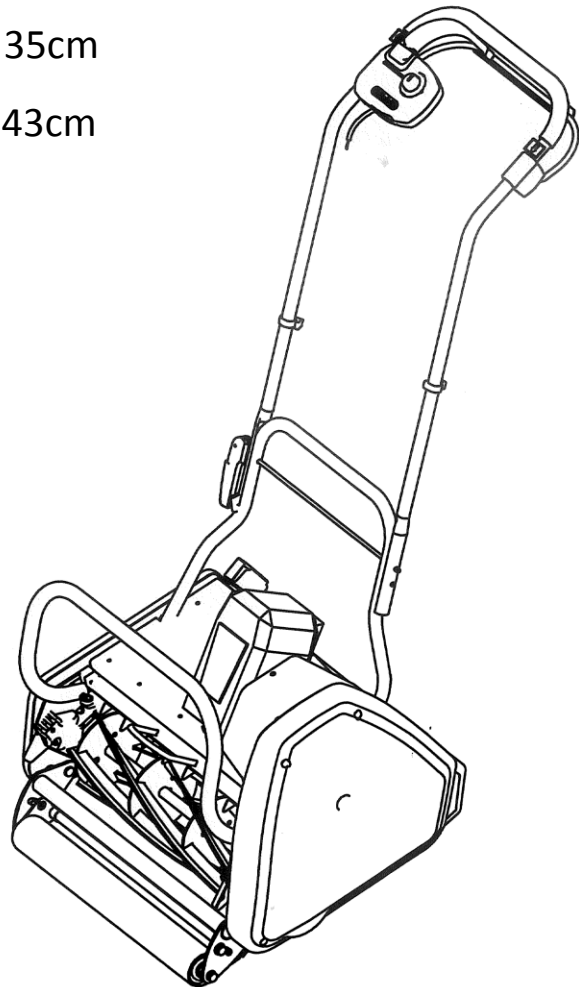
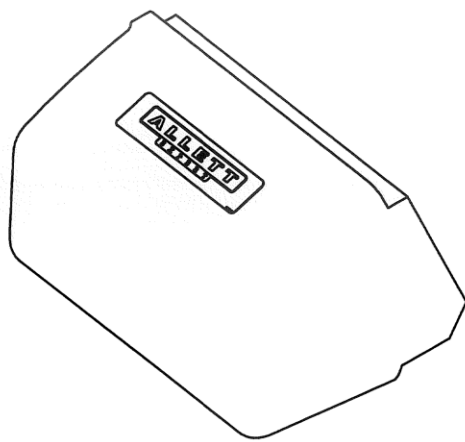




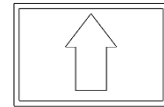
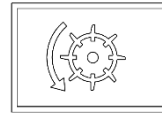
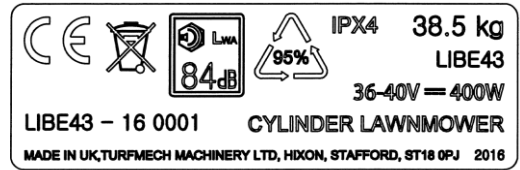
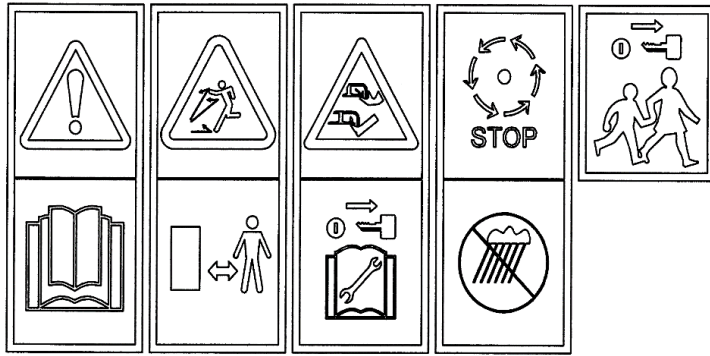
Liberty Classic Push 30cm

Liberty Classic Self-propelled 35cm

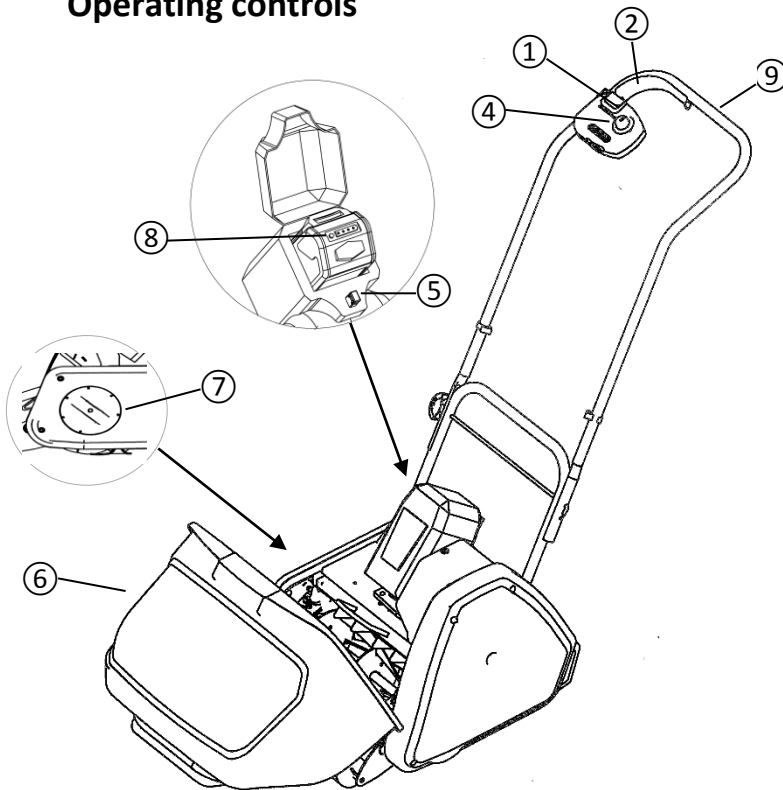
Liberty Expert Self-propelled 43cm



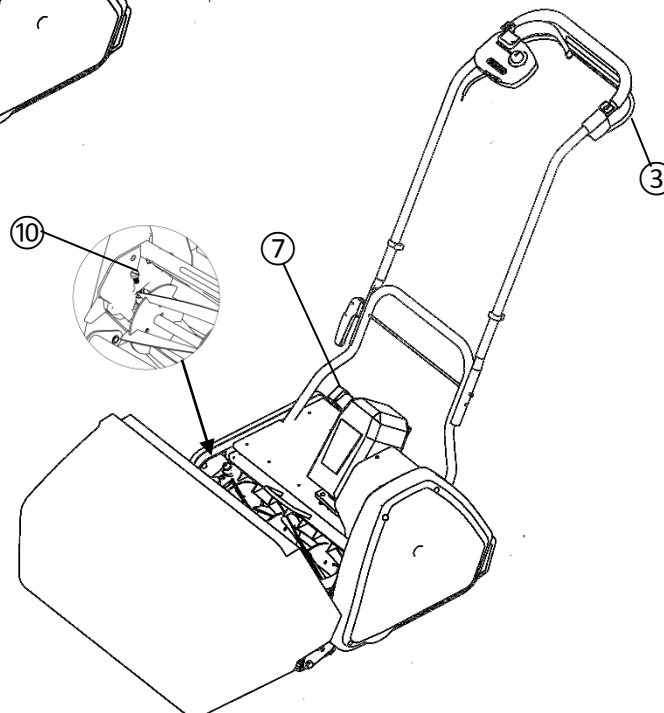
Cordless cylinder mower
OPERATING INSTRUCTIONS

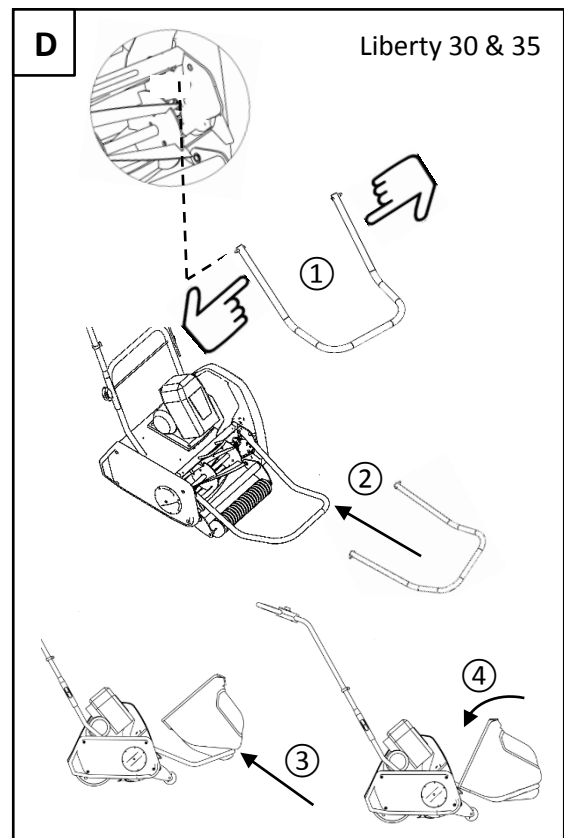
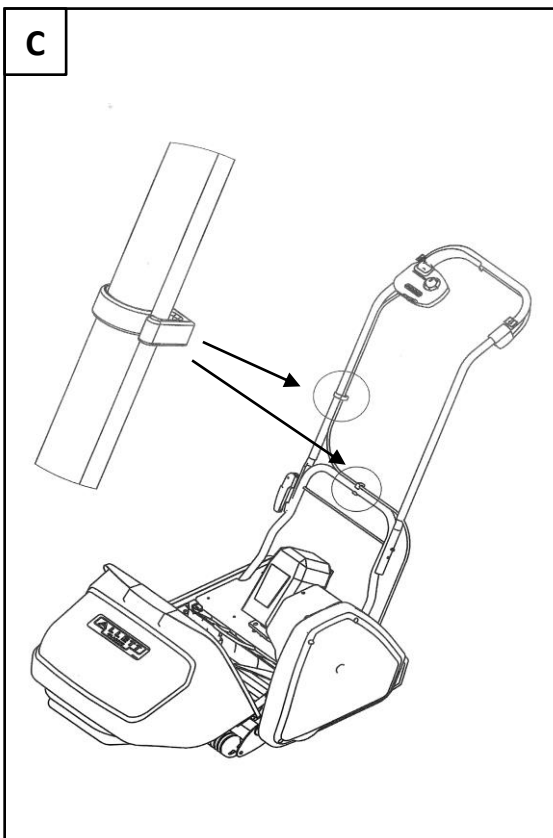
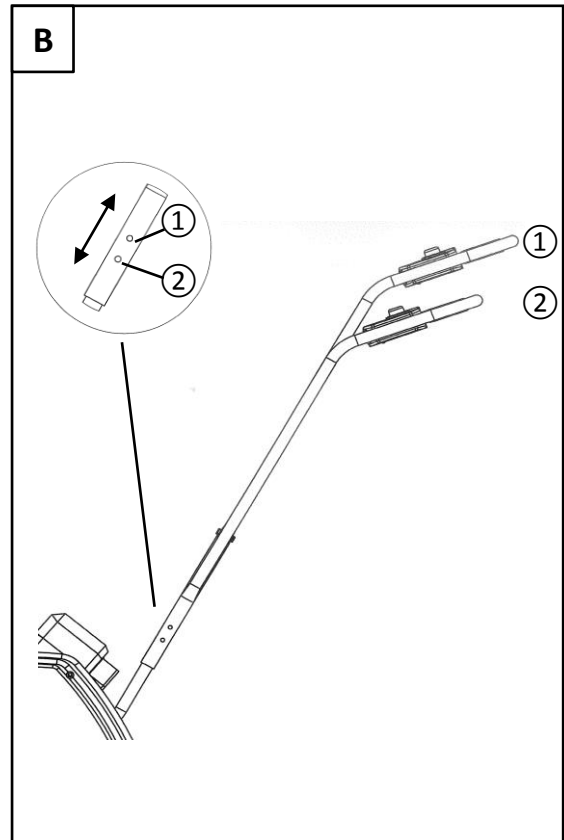
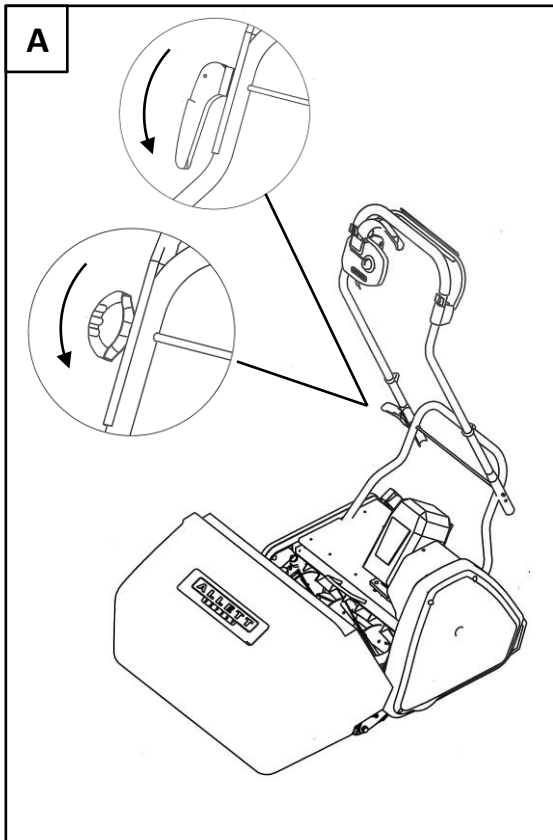


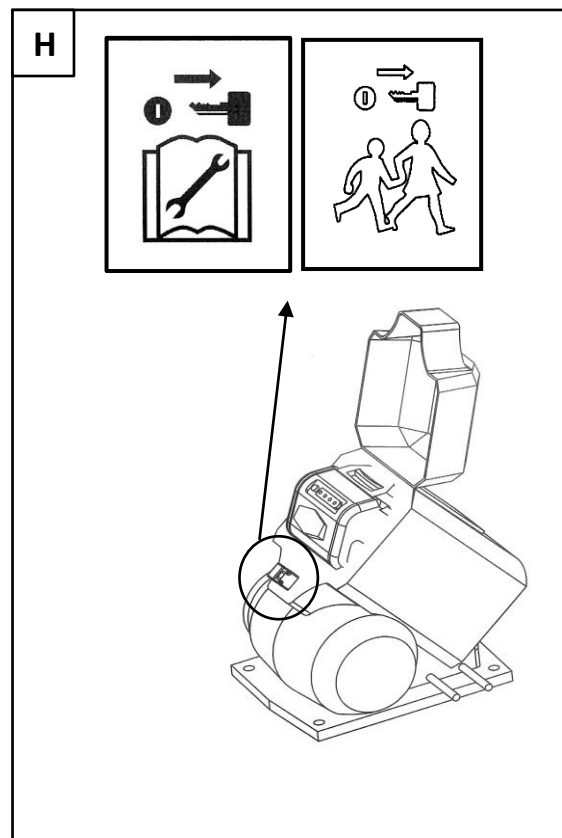
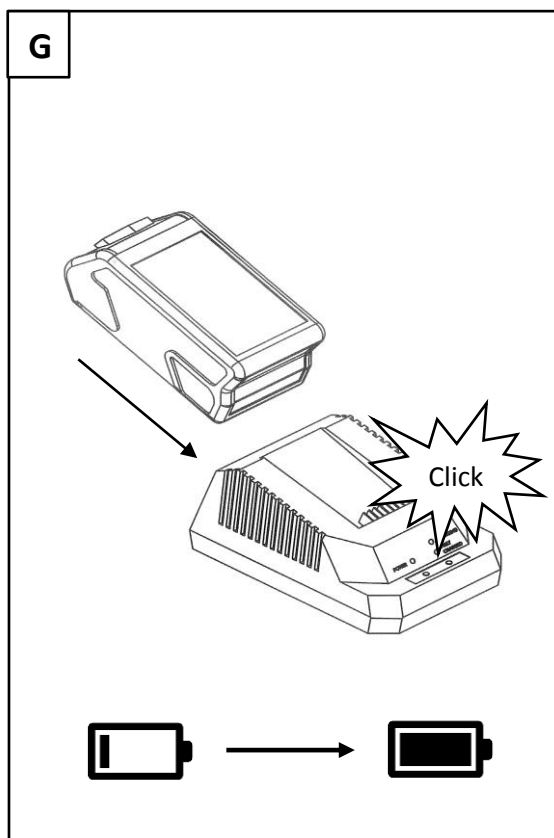
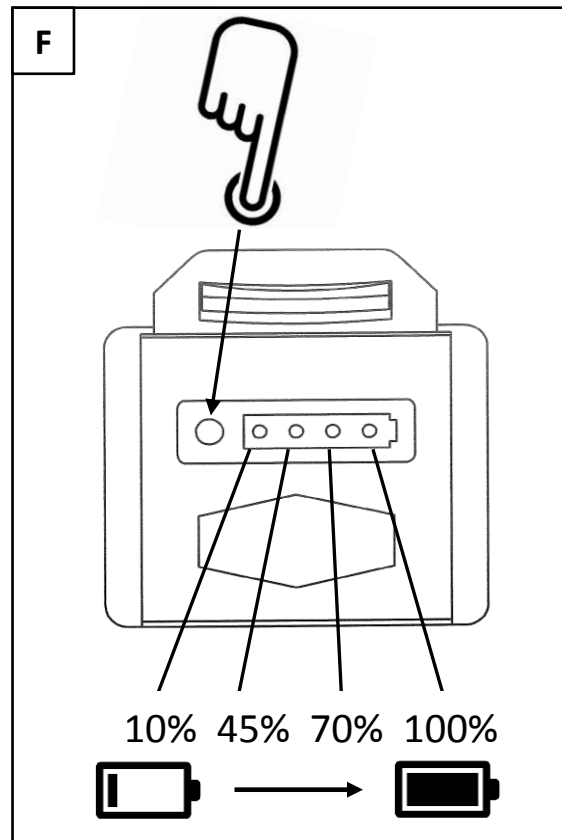
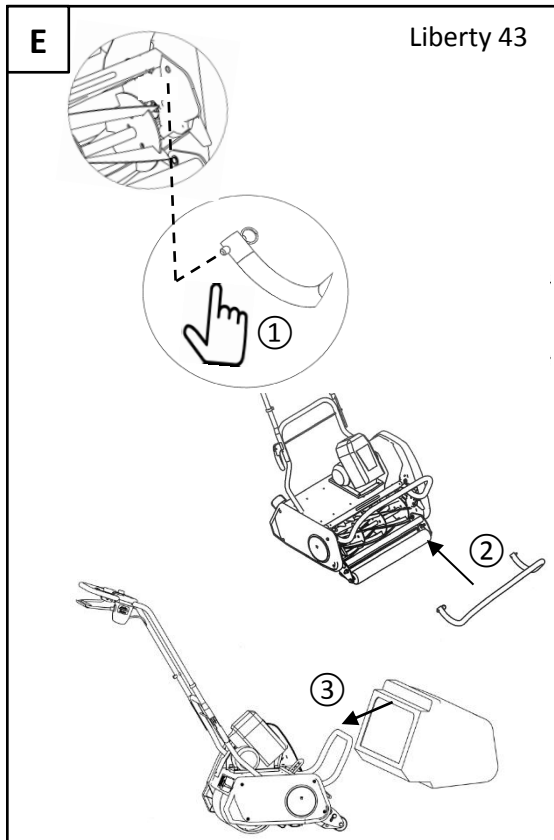
Operating controls

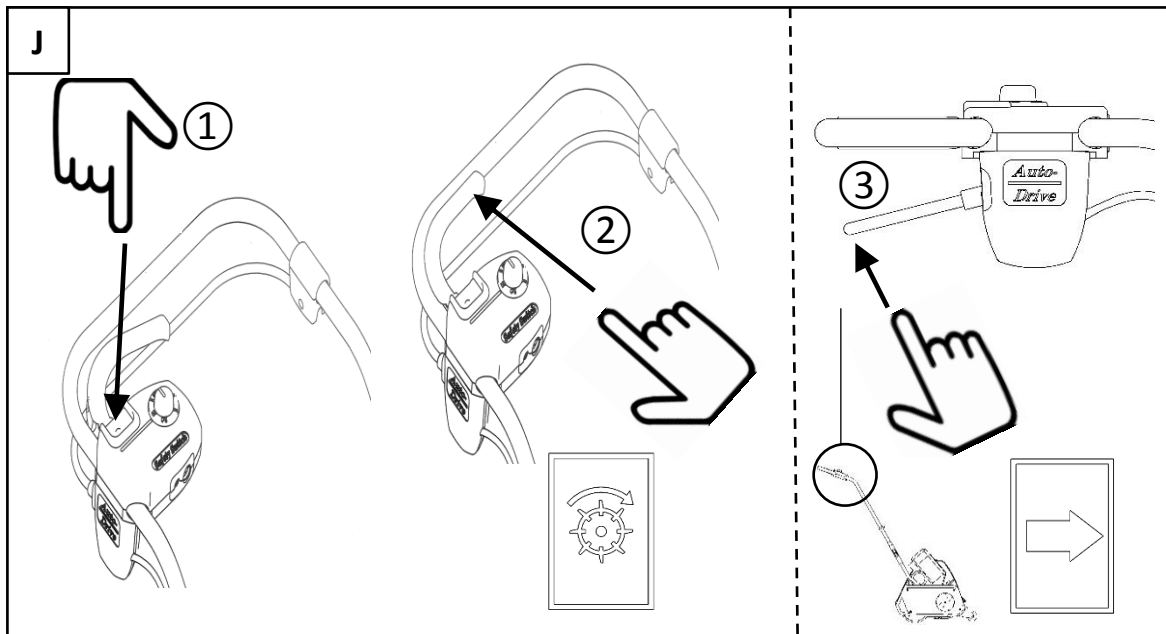
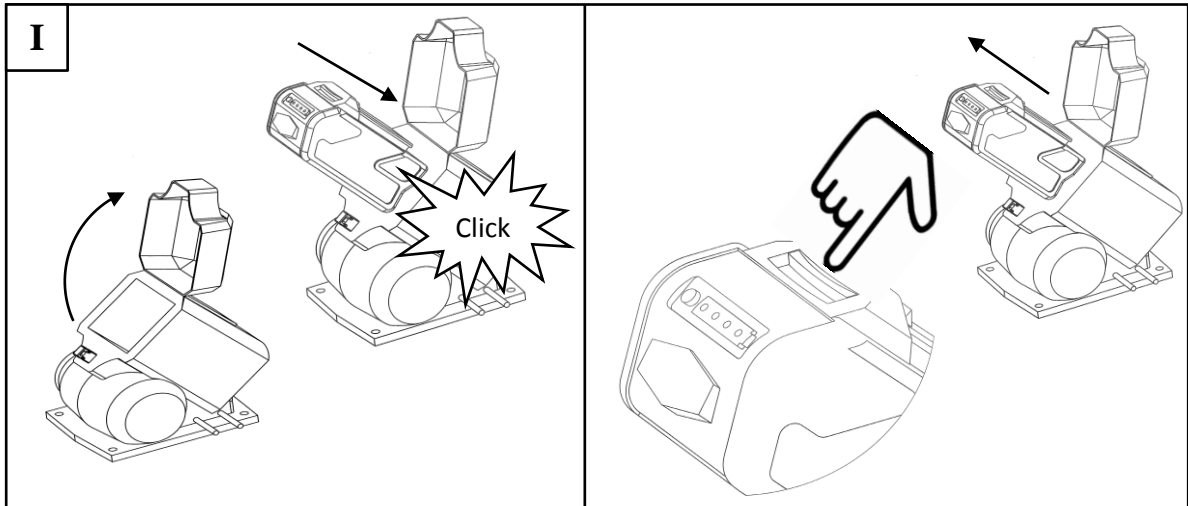


- 1) Push switch
- 2) Switch lever
- 3) Drive control lever (Liberty 35 & 43)
- 4) Speed control
- 5) Isolation key
- 6) Grass box
- 7) Height of cut adjustment
- 8) Battery/battery gauge
- 9) Top handle
- 10) Cylinder to bottom blade adjusters









K

DUAL SPEED

6 >>> 1 >

6 >>> 1 >

L Liberty 30 & 35

	5	4	3	2	1	S
mm	32	25	19	13	9	6.5
inch	1 ¼"	1"	¾"	½"	⅜"	¼"

M Liberty 43

	4	3	2	1	S
mm	32	25	19	13	6.5
inch	1 ¼"	1"	¾"	½"	¼"

N

13

14

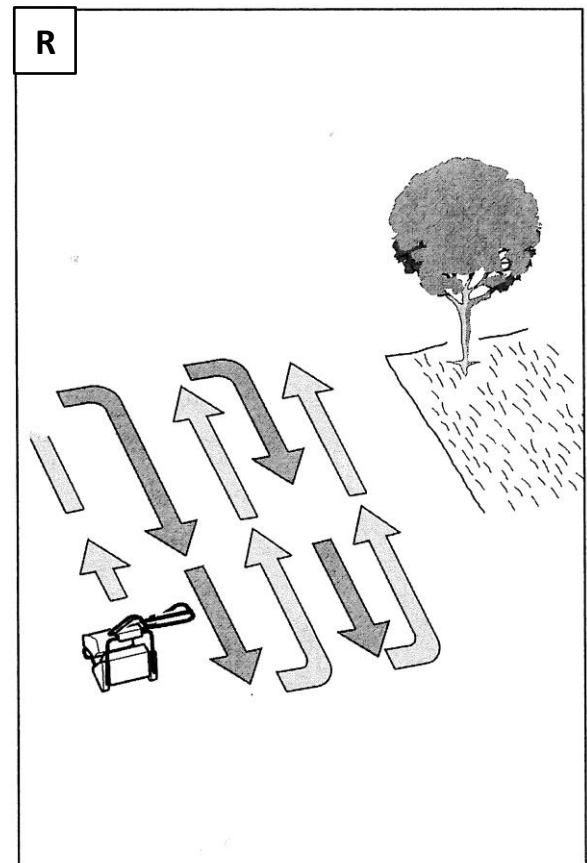
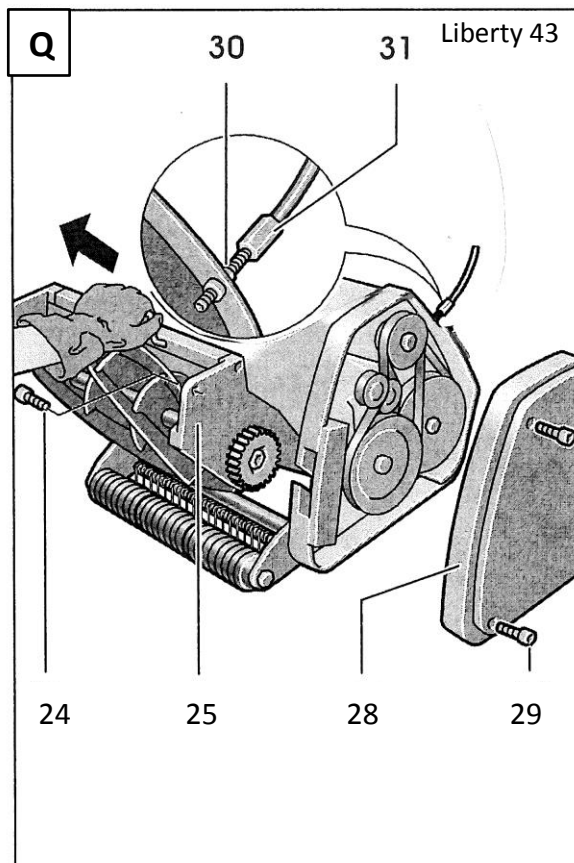
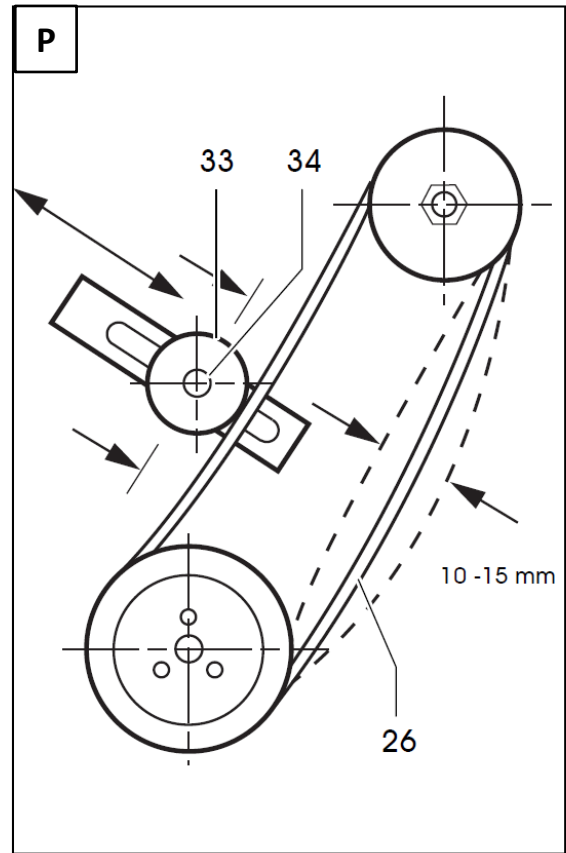
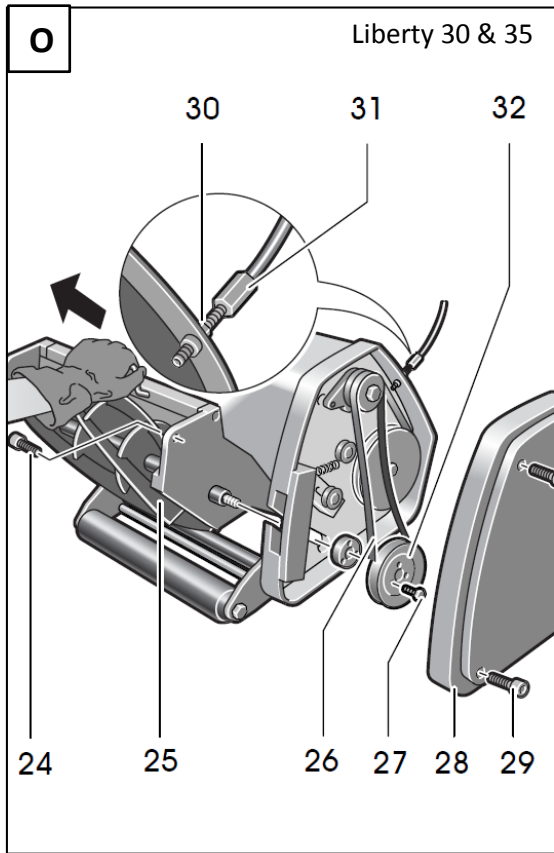
15

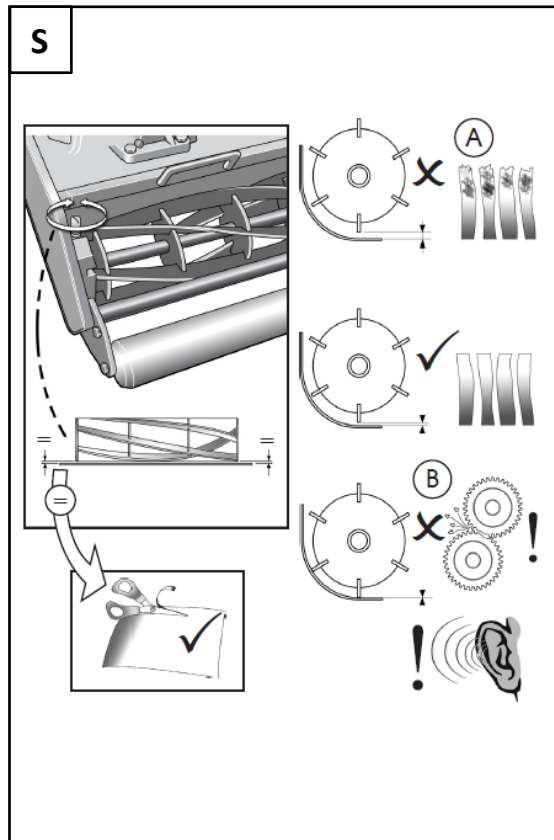
16

17

18

>50mm
>2"





Safety Notes

Important! Warning! Read these instructions carefully, be familiar with the controls and the proper use of the lawnmower. Keep these instructions for future reference.

Explanation of symbols on the lawnmower:



General hazard safety alert



Read instruction manual



Beware of thrown or flying objects



Keep bystanders at a safe distance from machine



Switch off and remove isolation key before adjusting, cleaning and before leaving the lawnmower unattended for any period.



Sharp blade(s). Beware of severing toes or fingers.



Wait until all machine components have completely stopped before touching them. The blades continue to rotate after the machine is switched off, a rotating blade can cause injury.



Do not mow in the rain or leave the lawnmower outdoors whilst it is raining.



Never allow children to use the lawnmower, children should be supervised to ensure they do not play with the machine. Always remove the isolation key, even when in storage.

Never allow people unfamiliar with these instructions to use the lawnmower.

Local regulations may restrict the age of the operator.

This machine is not intended for use by children or by persons with reduced physical, sensory or mental capabilities, or lack of experience and knowledge unless they have been given supervision or instruction concerning the use of the machine by a person responsible for their safety.

Never mow while people, especially children or pets, are nearby.

The operator or user is responsible for accidents or hazards occurring to other people or their property.

Do not operate the lawnmower when barefoot or wearing open sandals, always wear substantial footwear and long trousers.

Thoroughly inspect the area where the lawnmower is to be used and remove all stones, sticks, wires, bones and other foreign objects.

Before using, always visually inspect to see that the blades, blade bolts and cutter assembly are not worn or damaged.

Replace worn or damaged blades and bolts in sets to preserve balance.

Mow only in daylight or in good artificial light.

Avoid operating the lawnmower in wet grass, where feasible.

Walk, never run.

Mowing on banks can be dangerous:

- Mow across the face of slopes – never up and down.
- Always be sure of your footing on slopes or wet grass.
- Exercise extreme caution when changing direction on slopes.
- Do not mow excessively steep slopes.
- Use extreme caution when stepping back or pulling the lawnmower towards you. Never mow by pulling the mower towards you.

Stop the blades if the lawnmower has to be tilted for transportation when crossing surfaces other than grass and when transporting the lawnmower to and from the area to be mowed.

Do not tilt the machine when starting or switching on the motor, except if the machine has to be tilted for starting in long grass. In this case, do not tilt it more than absolutely necessary and tilt only the part which is away from the operator. Always ensure that both hands are in the operating position before returning the machine to the ground.

Never operate the appliance with defective guards or shields, or without safety device, for example deflectors and/or grass catchers in place.

Switch on the lawnmower according to instructions and with feet well away from the blades.

Disengage all blade and drive clutches before starting the motor.

Keep clear of discharge opening at all times.

Always stand clear of the discharge zone when operating the machine.

Never pick up or carry the lawnmower while the motor is running.

Do not put hands or feet near, or under, rotating parts while the lawnmower is being operated.

Be careful during adjustment of the lawnmower to prevent entrapment of the feet and hands between moving blades and fixed parts of the lawnmower.

Always wear gloves if carry out maintenance near the sharp blades

Remove the isolation key and batteries:

- whenever you leave the machine
- before clearing a blockage
- before checking, cleaning or working on the lawnmower
- after striking a foreign object. Inspect the lawnmower for damage and make repairs as necessary
- if the lawnmower starts to vibrate abnormally (check immediately).
- when in storage or being folded for storage
- Before transporting the machine

Keep all nuts, bolts and screws tight to be sure that the lawnmower is in safe working condition.

Check the grass catcher frequently for wear or deterioration.

Replace worn or damaged parts for safety.

Ensure replacement parts fitted are approved

Technical Data

Designation: Cylinder lawnmower	Liberty 30	Liberty 35	Liberty 43
Part number	LIBE30	LIBE35	LIBE43
Rated power	400W@10A	400W@10A	400W@10A
Voltage (Max V)	40V Li-ion	40V Li-ion	40V Li-ion
Blade width (cm)	30	35	43
Height of cut (mm)	6-32	6-32	6-32
Grassbox capacity (l)	32	32	62
Self-propelled	✘ (Push)	✓	✓
Rake option	✘	✘	✓
Weight (kg)	23.0	26.5	38.5
Protection Class	III	III	III
Serial number	See rating plate on machine		

Intended use

This product is intended for domestic lawnmowing.

Introduction

This manual gives instructions on the correct assembly and safe use of your machine. It is important that you read these instructions carefully. When fully assembled, the machine is greater than 20kg in weight. If necessary, obtain assistance to remove from it from the packaging. Lift the mower by the cartridge carry handle and the lower handle bar. Take care if carrying the mower to the lawn as the blades are sharp.

Delivered items

Lawnmower with handle assembly

Grass box

Grass box cradle

Operating instructions

Easy start sheet

Product registration card

Allen key

Spanner

2 x Cable clips

(2 x Auxiliary plastic wheels & stub axles - 43cm model only)

Assembly

Please refer to the earlier illustrations (A) – (D).

Top handle

(A) Unfold the top handle and secure in place with the cam lock lever (Liberty 35 & 43 models) or the wing nut (Liberty 30). Make sure you do not trap any cables between the handle bars.

Top handle height adjustment

(B) The top handle has a set of holes at the pivot to give height adjustment, select the corresponding hole to give the height you are most comfortable with.

Cable clips

(C) Ensure that the cable clips supplied are used to fix the cables to the handle.

Grass box

(D) (Liberty 30 & 35 models) Squeeze the ends of the grass box cradle together and insert the pins into the pivot hole on the lawnmower. With the cradle in its lowest position hook the front of the grass box into the cradle so it fits securely.

(E) (Liberty 43) Insert the fixed pin on the grass box cradle into the pivot hole on the lawnmower. Pull back the plunger on the grass box cradle, then release it so the pin engages in the opposite pivot hole. With the cradle in its lowest position place the grass box over the cradle so it fits securely.

Batteries & Charging**Checking battery capacity**

Please refer to illustration (F).

Press the battery capacity indicator button. The lights will illuminate according to the batteries capacity level. See table below:

Lights	Capacity
4 Green Lights	The battery is at full capacity
3 Green Lights	The battery is at 70% capacity
2 Green Lights	The battery is at 45% capacity
1 Green Lights	The battery is at 10% capacity
The lights go out	The battery is under capacity and requires charging immediately

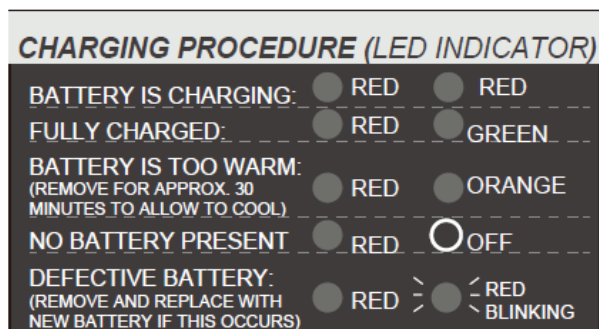
Charging the battery

Please refer to illustration (G) and (I).

NOTE: The battery is not shipped fully charged. It is recommended to fully charge before use to ensure that maximum run time can be achieved. This lithium-ion battery will not develop a memory and may be charged at any time. In normal conditions a 4Ah battery can be fully charged in 105-120 minutes. To charge a battery proceed as follows:

1. Plug the charger into a Mains AC power outlet.
2. Insert the battery into the charger until it CLICKS into place.
3. When the battery is fully charged, the green LED will illuminate, unplug the charger, press the battery release button to remove it from the charger.

The charger used is a diagnostic charger. The Charger LED Lights will illuminate in a specific order to communicate the current battery status. They are as follows:



If the red LED blinks or flashes please refer to the charger manual.

If the battery has been stored with little to no charge for a long period of time, the charger will go into recovery mode, which will take 20 hrs to fully charge the battery. This will enhance the life of the battery. Once it is fully charged, the next charge will return to standard charging mode.

For best results, the battery should be charged in a location with a temperature between 6°C (43°F) and 40°C (104°F).

Isolating key

Please refer to illustration (H).

Battery-operated products do not have to be plugged into an electrical outlet; therefore, they are always in operating condition. Be aware of possible hazards when using the lawnmower, always remove the isolating key when leaving the lawnmower unattended and never let children play with the machine. Following this rule will reduce the risk of electric shock, fire, or serious injuries.

Inserting/removing the battery from the mower

Please refer to illustration (I).

1. Lift and hold up the battery compartment lid.
2. Place the battery in the powerhead. Align ribs on battery with grooves in the battery compartment.
3. Make sure the battery release button CLICKS in place and that battery is fully seated and secured in the powerhead before beginning operation.
4. Insert the isolating key.
5. Close the battery compartment lid.

Usage time

The area of cut and therefore battery duration is dependent on your lawn conditions. Mowing low in wet, dense grass will reduce the run time. To increase battery life, it is recommended to:

1. Only take 1/3 of the plant height off in a single cut, this will mean mowing frequently at least once per week.
2. Use higher heights of cut, 25mm (1") as a minimum, any lower and the grass can be very dense.
3. Keep the blades sharp and regularly serviced. Blunt or damaged blades will decrease battery life.

Following the recommendations above in dry conditions your mower should cover an area of approximately 600m² or run for 40 minutes on a new, fully charged battery.

Battery & charger recommendations

Remove the isolation key before inserting the battery into the lawnmower.

Do not allow the battery pack or charger to overheat. If they are warm, allow them to cool down. Recharge only at room temperature.

Do not place the battery pack in; freezing conditions, direct sun light or in a warm environment. Keep at normal room temperature, for example do not place near a radiator.

If the battery is not charged for a long time; charge the battery for 2 hours every 2 months.

Do not recharge non-rechargeable batteries with the charger.

The battery pack cells may develop a small leak under extreme usage or temperature conditions. If the outer seal is broken and the leakage gets on your skin:

- Use soap and water to wash immediately.
- Neutralise with lemon juice, vinegar, or other mild acid.
- If leakage gets in your eyes, flush immediately with clean water for at least 15 minutes and seek medical attention.

The charger is for indoor use only.

Protect the batteries against moisture and water.

If while using the battery it emits an unusual smell, feels hot, changes colour, changes shape or appears abnormal in any other way immediately discontinue use. If the battery cracks or breaks, with or without leaks, do not recharge it and do not use. Dispose of it (See "Disposal" section) and replace with a new battery pack. Do not attempt to repair.

Use only Allett battery Ref: F016J11357 36V 4Ah 144Wh 40V MAX

Use only Allett charger Ref: UK F016J11358 or EU F016J11359

Please refer to the Battery and Charger manual for further information.

Starting and Stopping

Please refer to illustration (J) and Operating controls section.

The blade continues to rotate for a few seconds after the machine is switched off. Allow the motor/blade to stop rotating before switching "on" again. Do not rapidly switch off and on. To aid starting push handle down to lift front wheels/roller.

Starting:

Press and hold the safety button (1).

Squeeze the switch lever (2) towards the handle.

Release the safety button (1).

(Gradually squeeze the drive control lever 3 towards the top handle 1 - self propelled Liberty 35 & 43 models only)

Stopping:

Release the switch lever (2).

(Release the Drive control lever (3) - self propelled Liberty 35 & 43 models only)

Adjustments & Maintenance



STOP - Remove the isolator key and the batteries before making any adjustments and wear gloves if you are working near the blades

Note: To ensure long and reliable service, carry out the following maintenance regularly. Regularly check for obvious defects such as a loose, dislodged or damaged blade, loose fixings, and worn or damaged components. Check that covers and guards are undamaged and correctly fitted. Carry out necessary maintenance or repairs before using. Clean the exterior of the machine thoroughly using a soft brush and cloth. Do not use water, solvents or polishes. Remove all debris, especially from around the motor. If the mower should happen to fail despite the care taken in manufacture and testing, repair should be carried out by an Approved service agent.

Speed adjustment

Please refer to illustration (K).

Adjust the speed as required by moving the speed control knob (4) between 1 (min) and 6 (max.). The speed control knob adjusts both forward travel and cutting cylinder speed.

If the grass is moist and heavy or if you are scarifying, a high cylinder speed is recommended to improve collection performance. Set the speed adjustment knob to position 5-6.

If the grass is dry and light, a lower cylinder speed is recommended to improve collection performance. Set the speed adjustment knob to position 3-4.

Height of cut adjustment – Liberty 30 & 35

Please refer to illustration (L)

Your machine has six settings which give the following approximate height of cut:

	5	4	3	2	1	S
mm	32	25	19	13	9	6.5
inch	1 ¼"	1"	¾"	½"	⅜"	¼"

Position "S" should only be used with the scarifier cartridge accessory (purchased separately).

To adjust the height of cut:

1. Tilt the mower to take the weight off the front roller.
2. Push the height of cut knob (7) in and turn to the desired position.

For the first cut of the season, the highest cutting adjustment number 5 should be selected.

Height of cut adjustment – Liberty 43

Please refer to illustration (M)

Your mower has an infinitely adjustable height of cut between 6 - 32 mm, a numbered dial on the side of the mower can be used as a guide to adjustment.

	4	3	2	1	S
mm	32	25	19	13	6.5
inch	1 ¼"	1"	¾"	½"	¼"

A fifth position labelled "S" should only be used with the scarifier cartridge accessory (purchased separately) or to achieve a particularly short cut if the lawn is very flat. The height of cut is adjusted by turning the knob (7) at the right hand rear of the machine. The comb will also require adjustment, see "Comb Adjustment".

Comb adjustment – Liberty 43 only

Please refer to illustration (N).

Your mower is fitted with an adjustable comb (13) which can be used on the lower heights of cut. It is set by loosening the screws (14) and rotating the comb until the tines just touch the ground. You may need to re-adjust after changing the height of cut. Take care not to set the comb too deep, as this could cause damage to either your mower or lawn.

Cutting long grass

Please refer to illustration (N).

Cutting long grass using the side wheel kit (Standard option with Liberty 43, optional extra available for purchase for Liberty 30 & 35). Your mower is fitted with a full width front roller which is suitable for normal smooth lawns. For cutting longer (>50mm, >2"), coarse grass a side wheel kit can be fitted. To fit this kit proceed as follows:

1. Tilt the mower back and wedge securely.
2. Remove the front roller/comb assembly by removing bolt (15) and removing screw (14) on both sides.
3. Fit the side wheel (17) on to the side wheel spindle (16).
4. Fit each side wheel assembly on both sides of the roller brackets as shown, and fix with bolt (15) from above. To refit the full width roller following steps 1-4 in reverse.

Adjusting drive cable – Liberty 35 & 43 only

Please refer to illustration (O) and (Q)

If the mower doesn't drive adequately it may be necessary to adjust the land drive cable as follows or contact an Approved Service Agent. Make sure the cables have been secured to the handle before adjusting.

- Slacken nut (30), turn adjuster (31) a few turns anti-clockwise.
- Retighten nut 35.

When correctly adjusted, drive to the rear roller is engaged when the drive control lever (3) is squeezed against the top handle (9) or disengaged when released. When released the mower should be easy to push by hand.

If the mower is difficult to push by hand with the drive control lever released the adjuster is too tight. Slacken nut (30), turn adjuster (31) a few turns clockwise then retighten nut (30).

Adjusting the blade

Please refer to illustration (S)

The blades are correctly adjusted when the cutting cylinder lightly brushes the bottom blade across the full width as the cylinder is turned. The blades act like a pair of scissors. As a test, correctly adjusted blades will cut a piece of good quality writing paper across the width of the blade.

The cutting cylinder should only be adjusted if the grass is not cut cleanly and evenly.

1. Tilt the mower back and wedge securely.
2. Remove the grass box cradle (D)(E).
3. Check the cleanness of cut with paper across the cutting width.
4. Turn the adjuster screws (10) clockwise a little at a time and check the cleanness of cut with a piece of paper as you go along. It may be necessary to only adjust one side to get a nice scissor action.

Note: Setting the blades with heavy contact can cause damage to your mower!

Cylinder and Blade sharpening

The cylinder and bottom blade can be re-sharpened. This is recommended every 2-3 years or as required. Blunt or dull blades will adversely affect cutting performance and battery life. Please contact your local dealer for information. You can search for your nearest registered dealer on-line at www.allett.co.uk/allett-dealer-locator

Cleaning & Storage

Clean the mower, battery and charger with a soft dry brush or cloth, paying particular attention to the cooling fins on the end of the motor and charger. If the grass box or interchangeable cutting cartridge are removed from the lawnmower they may be cleaned with water from a hose. Lubricate the cutting cylinder with a light oil to displace any water after cleaning and when storing at the end of the season.

Remove the battery and isolation key, store both machine, battery and charger in a safe, cool and dry place, avoiding areas of high humidity.

At the end of the season do not store the battery in the mower. Keep it in shady, cool and dry conditions.

Removing/replacing a Qc Cylinder Cartridge

Please refer to illustration (O) and (P) for Liberty 30 & 35

The mower is fitted with a Qc (Quick change) cartridge which can be removed and taken to an Approved Service Agent for sharpening. To remove the cartridge:

Remove the grass box (D).

Remove grass box cradle (D).

Remove the drive cover (28) by removing screws (29).

Remove cartridge retaining screws (24) on both sides.

Remove pulley (32) and belt (26) by removing 3 screws (27).

Pull the cutting cartridge unit (25) out using the handle. Obtain assistance if required.

Replace the cartridge and fit retaining screws (24).

Slacken the idler pulley screw (34).

Refit the pulley (32) and belt (26).

Adjust the idler pulley (33) against the belt (26) and tighten idler pulley screw (34).

Refit the drive cover (28).

This method is the same for fitting or removing

Please refer to illustration (Q) for Liberty 43

The mower is fitted with a Qc (Quick change) cartridge which can be removed and taken to an Approved Service Agent for sharpening. To remove the cartridge:

– Remove the grass box (E).

– Remove grass box cradle (E).

– Remove the drive cover (28) by removing screws (29).

– Remove cartridge retaining screws (24) on both sides.

– Pull the cutting cartridge unit (25) out using the handle. Obtain assistance if required.

– Refit cartridge (25) following the above in reverse. This method is the same for fitting or removing cartridge accessories.

Mowing

For best results, place the lawnmower on the edge of the lawn, mow in a forward direction. Then turn around and mow parallel to the previously cut strip, slightly overlapping the previous run. The

next time you mow the lawn, try to work at right angles to the previous cut as this will help prevent unevenness in the surface. Unevenness can build up if you always mow in the same direction.

The blades may require adjustment, particularly before first use – see “Adjusting blade” section.

Protective circuit

The lawn mower contains a protective circuit. This is designed to protect the motor from damage. It includes:

A soft start function, please allow the blades 3 seconds to get to full speed before mowing.

An over current cut out, if the mower is forced to work the circuit will cut the power to protect the motor. If this happens during use raise the height of cut and restart.

A Temperature sensor, if the mower gets too hot it will cut out to protect the motor. If this happens leave the mower in the shade for 1 hour then restart.

Best practises to reduce noise and vibration

Forcing the mower to cut longer grass than intended or setting it to work at great depths may cause higher vibration and noise levels. Make sure the cylinder is accurately ground to reduce vibration. Setting minimal contact between the cylinder and bottom blade is critical to help reducing noise emissions (see “Adjusting the blade” section). Damaged belts or loose guards can increase noise emissions. Therefore, periodically inspect the mower for signs of wear and ensure the guards are securely attached and in good condition.

Fault finding

The following table gives checks and actions that you can perform if your machine does not operate correctly. If these do not identify/remedy the problem contact your service agent.

Symptom	Possible cause	Remedy
Machine fails to operate	The isolation key is not inserted The battery is not fully inserted The battery is not charged	Insert isolation key Make sure the battery clicks into place Charge the battery
Machine functions intermittently or stops during use	Machines internal wiring damaged Motor protection circuit has activated Machines external wiring damaged Battery has discharged	Contact service agent Allow motor to cool for 1 hour, raise height of cut or slacken blade adjuster screw Contact service agent Charge the battery
Machine leaves ragged finish	Cutting blade blunt Blades off cut Grass too high/dense	Contact service agent Adjust blades Fit side wheel kit option or raise height of cut
Machine labours or belt squeals	Height of cut too low Blades adjusted too tight	Increase height of cut Adjust blades
Cutting blade not rotating	Cutting blade obstructed Blades too tight Cutting blade damaged Belt/gears slipping or damaged	Clear obstruction Slacken off blade adjuster screws Contact service agent Contact service agent
Land drive does not engage (Liberty 35/43)	Incorrect cable adjustment Cable damage Unrestrained cable	Adjust cable Contact service agent Clip cable to handle bars
Excessive vibration/noise	Cutting blade damaged Cutting blades not adjusted evenly Gears have failed to protect blades from damage	Contact service agent Adjust blades Contact service agent
Poor collection	Mowing in wet conditions Belt slipping Motor speed too fast/slow	Allow grass to dry, use faster speed Tension belt Increase/decrease motor speed
Motor stops during use	Motor protection circuit has activated	Allow motor to cool down for 1 hour, raise height of cut or slacken blade

Service

Useful videos are available on Youtube, search for “Allett Mowers” to find our channel.

To locate your nearest Allett dealer/service agent go to: www.allett.co.uk/allett-dealer-locator

Disposal

Product, accessories and packaging should be sorted for environment-friendly recycling. The plastic components are labelled for categorised recycling.



Do not dispose of electrical power tools, batteries or chargers into household waste!

According to the European Directive 2002/96/EC on waste electrical and electronic equipment and 2006/66/EC on waste batteries it is EU law that power tools which are no longer suitable for use must be separately collected and sent for recovery in an environmentally-friendly manner.

The following toxic and corrosive materials are in the batteries used with this lawnmower:

Li-ion - Toxic

When disposing of damaged or end of life batteries cover the battery terminals with heavy duty adhesive tape to avoid; injury, risk of fire, explosion or electric shock.

All toxic materials must be disposed of in a specific manner to prevent contamination of the environment. Before disposing of damaged or worn out Lithium ion battery packs, contact your local waste disposal agency, or the local Environmental Protection Agency for information and specific instructions. Take the batteries to a local recycling and/or disposal centre, certified for Li-ion disposal.

EU Declaration of Conformity

We: Turfmech Machinery Ltd

Of: Hangar 5, New Road, Hixon, Staffordshire, ST18 0PJ, UK

Declare that equipment: Category 32 Electric lawnmower

conforms to the essential requirements of the following directives and their amendments:

2006/42/EC, 2014/30/EU, 2000/14/EC (the conformity assessment procedure followed was in accordance with Annex VI of the Noise Directive) and has been designed and manufactured to the following standards: BS EN 60335-1, BS EN 60335-2-77.

Typically, the A-weighted noise level of the product is:

Model number	Sound pressure level at operator ear	Measured Sound power level	Guaranteed sound power level 2000/14/EC
Liberty 30 (0.3m)	81 dB(A)	85 dB(A)	86 dB(A)
Liberty 35 (0.35m)	81 dB(A)	85 dB(A)	86 dB(A)
Liberty 43 (0.43m)	74 dB(A)	84 dB(A)	84 dB(A)

Vibration emission values (triaxial vector sum) determined according to BS EN 60335-2-77 static tests

Model number	Vibration	Uncertainty (K)
Liberty 30	0.8 m/s ²	0.3 m/s ²
Liberty 35	0.8 m/s ²	0.3 m/s ²
Liberty 43	0.6 m/s ²	0.3 m/s ²

Notified body: AV Technology Ltd, Handforth, Cheshire, SK9 3RW

Technical file at: Turfmech Machinery Ltd, Staffordshire, ST18 0PJ

I hereby declare that the product described under “technical data” has been tested and found to comply with the relevant sections of the above referenced specifications. The unit complies with all essential requirements of the directives.

Place: Stafford, May 2017

Signature:



Austin Jarrett

Position: Managing Director

Guarantee

Turfmech Machinery Ltd guarantees this product against manufacturing defects. We will repair (or replace at our option) if a manufacturing defect occurs within the guarantee period as long as it has not been subjected to rental/hire use.

The guarantee period for domestic use is:

Liberty 30 - 1 year parts and labour

Liberty 35/43 - 2 years parts and labour

For commercial or non-domestic use the guarantee period is 60 days.

For the purpose of this guarantee:

Non-domestic use means all other uses including, commercial, income producing, but excluding rental/hire use.

To obtain a repair under this guarantee:

You must contact the place of purchase and report the problem to them. You need to have your proof of purchase and guarantee. If the dealer cannot assist in finding a solution to the problem reported, please contact Allett to report any unresolved issues.

This guarantee does not apply if:

- the product has been resold by original purchaser (this does not apply in the Republic of Ireland), or has been used under hire.
- the product has been modified to change the manufacturers specifications, or if non genuine replacement parts have been fitted.
- if any previous repair was undertaken by anyone other than an Approved Service Agent.
- the fault is due to maladjustment, abuse, neglect or accidental damage.
- the fault is due to lack of lubrication or maintenance.
- damage to any part, particularly the drive or cutting mechanism has been caused by allowing the product to strike solid objects.
- The product develops a fault due to abnormal use.
- Failure is due to normal wear. The following parts are considered as wearing parts. Their life is dependent on regular servicing and they are not therefore, normally covered by the guarantee. Blades, drive belts, gears, bearings and cables.

The cost of routine maintenance of the product is not covered by the guarantee.

It is in your best interests to follow the Operating Instructions for your mower/scarifier, as a properly cared for product should give many years of excellent service.

Should you require spares always insist on genuine spares. Any damage caused to the product by Parts not made or approved by Turfmech Machinery Ltd is not covered by the Guarantee.

Your statutory rights are not affected by this guarantee.

Notes:

Your nearest dealer:

Allett a division of Turfmech Machinery Limited, Hangar 5, New Road, Hixon, Staffordshire ST18 0PJ England

F016J11384

5 / 2017