

Orbita Warranty

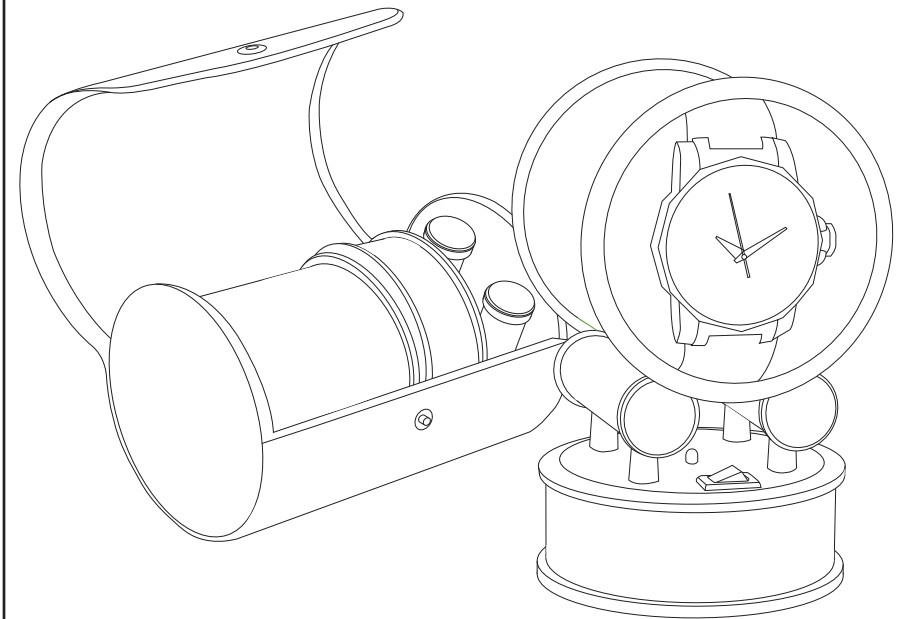
Congratulations on your purchase. Your ORBITA watchwinder should provide you with many years of trouble-free service. It comes complete with a 2-year warranty for any defects in materials and/or workmanship. In order to provide you with proper support, and to keep you updated with information on performance enhancements, accessories and new product announcements, we ask that you take a minute to fill out the registration card included with your ORBITA watchwinder. Be assured that we will not furnish your name, address or any other information you provide to us to any "third" parties.

EXTENDED WARRANTY PURCHASE

There is always the possibility that any electro-mechanical device may fail due to unforeseen circumstances. ORBITA offers an optional extended warranty providing for an additional 3 year coverage period to insure against such contingencies. If you would like to purchase this option, please fill out the Extended Warranty card included with your watchwinder. You may fax or simply mail the paper work directly to us.

ORBITA[®]
CORPORATION

ORBITA[®]
WATCHWINDERS



VOYAGER Watchwinder

INSTRUCTION GUIDE

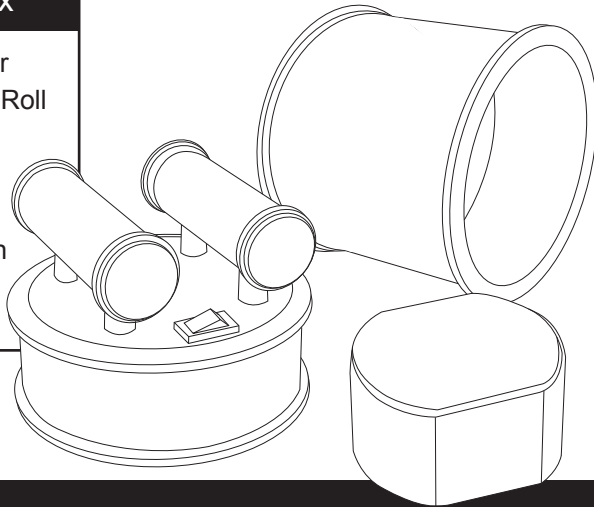
Voyager Travel Watchwinder

Congratulations!

The Voyager user guide will help take you through the initial set up and programming of your new watchwinder. Compact and portable, the Voyager watchwinder is built for travel. Equipped with a unique plastic-lined stainless steel cylinder which serves both as a watch holder and a watchwinder. This mounting system helps provide protection from rough handling as you travel.

Included In This Box

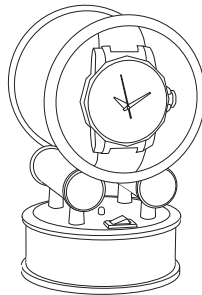
1. Voyager Watchwinder
2. Black Leather Travel Roll
3. Cylinder Assembly
4. Standard Cushion
5. AC Adapter
6. Warranty Registration
7. Instruction Book



Getting Started

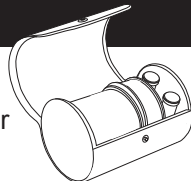
Turning Power On

1. Remove the mounting cylinder and cushion.
2. Mount watch on cushion and slide cushion into cylinder.
3. Place the cylinder on top of the support rollers.
4. Select LO or HI setting. (Details on Next Page)
5. Insert batteries or plug in wall adapter.
6. Turn the power on using ON/OFF toggle switch.



On the Move?

While on the move, you can safely carry both the winder and a watch mounted in the cylinder inside the durable leather travel roll.



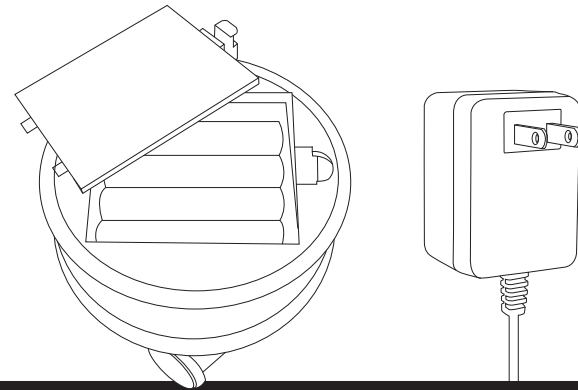
Mounting Watch on Cushion

1. With the bracelet or strap of the watch **closed**, squeeze and slide the cushion through the watch. The back of the watch should rest against the Orbita logo and the strap should lie on the flat portion of the cushion.



Operating the VOYAGER Watchwinder

After mounting the watch, turn the winder on using the ON/OFF rocker switch. Then position the cylinder on the two support rollers. The cylinder will rotate clockwise for 1-minute and then rest for several minutes. That cycle will repeat throughout the day and provide 800 turns per day (TPD). The programming switch for this mode is indicated as "LO" on the programming switch (factory setting). If more winding is required, the "HI" setting provides 1300 TPD. For watches that only wind counterclockwise, simply lift the cylinder off the support rollers and rotate the winder base around 180 degrees.



Battery Installation

The Voyager operates with an AC adapter or by use of 4 'AAA' batteries. If you travel with your winder, you can leave the AC adapter at home and use battery power. The battery compartment is located on the under side of the winder base. Press the tab to the left and pull compartment door free. *Important note. The AC adapter should NOT be used when batteries are installed.