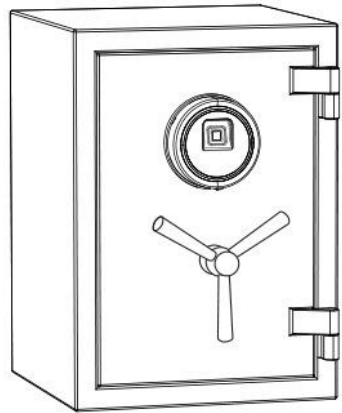


RPNB[®]

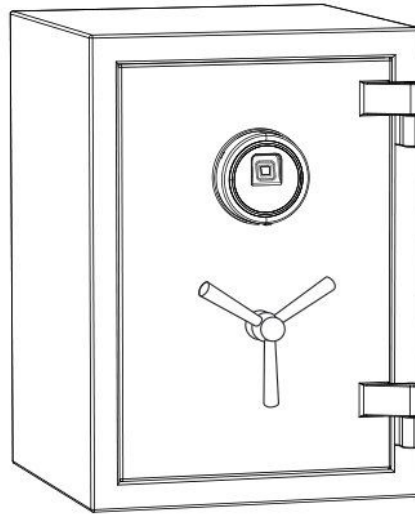
**Touchscreen Fireproof Safe / RPFS Series
Instruction Manual**

FS Series



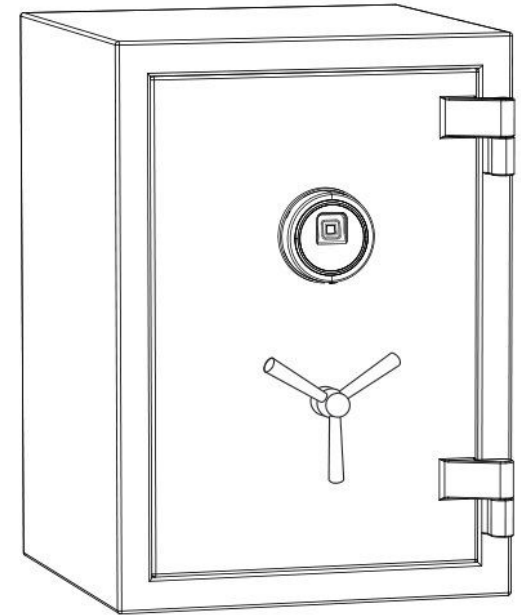
RPFS 40

0.84 Cubic Feet



RPFS 50

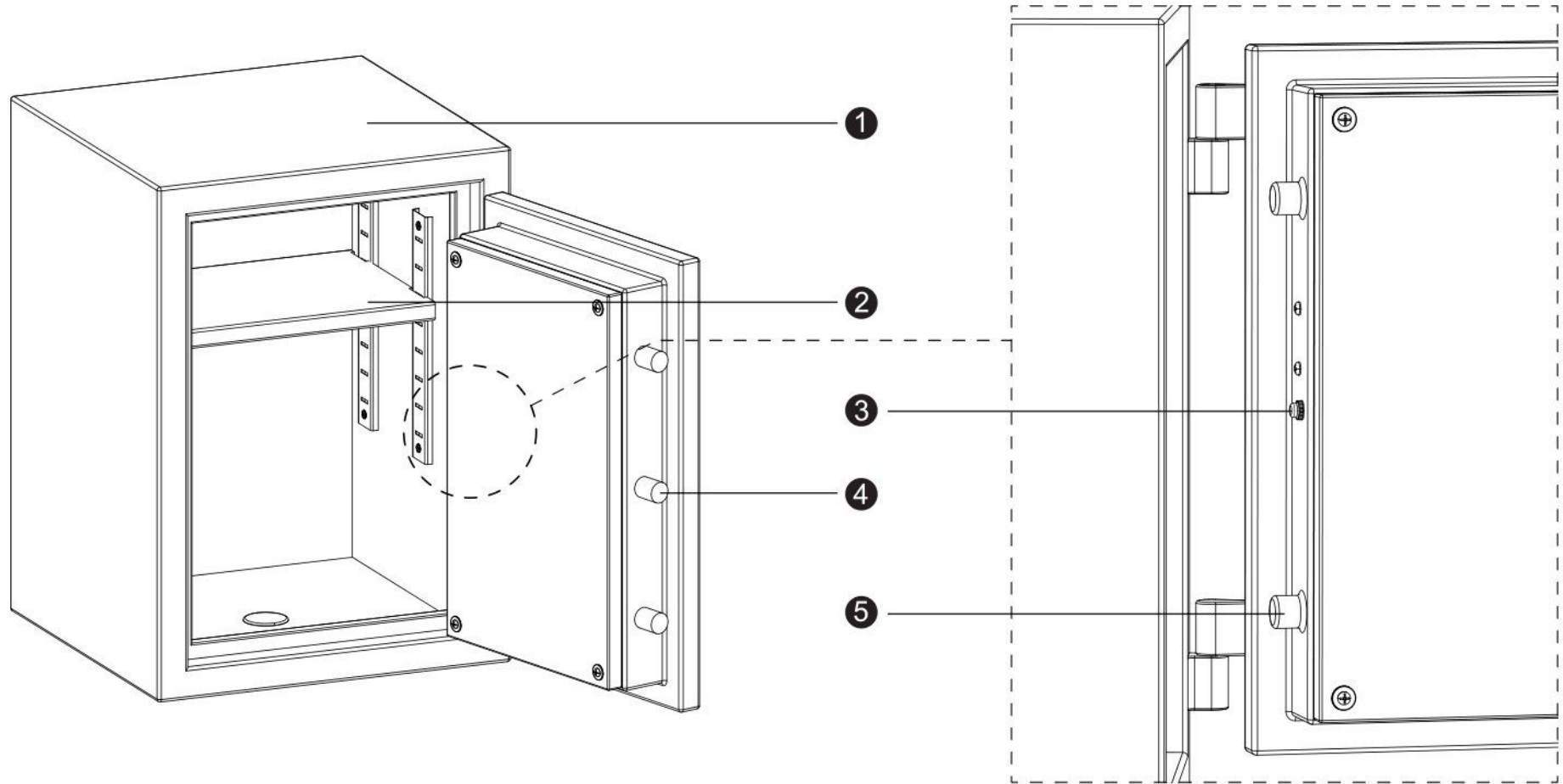
1.29 Cubic Feet



RPFS 66

2.12 Cubic Feet

Box Contents



① RPNB® Touchscreen Fireproof Safe

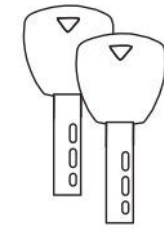
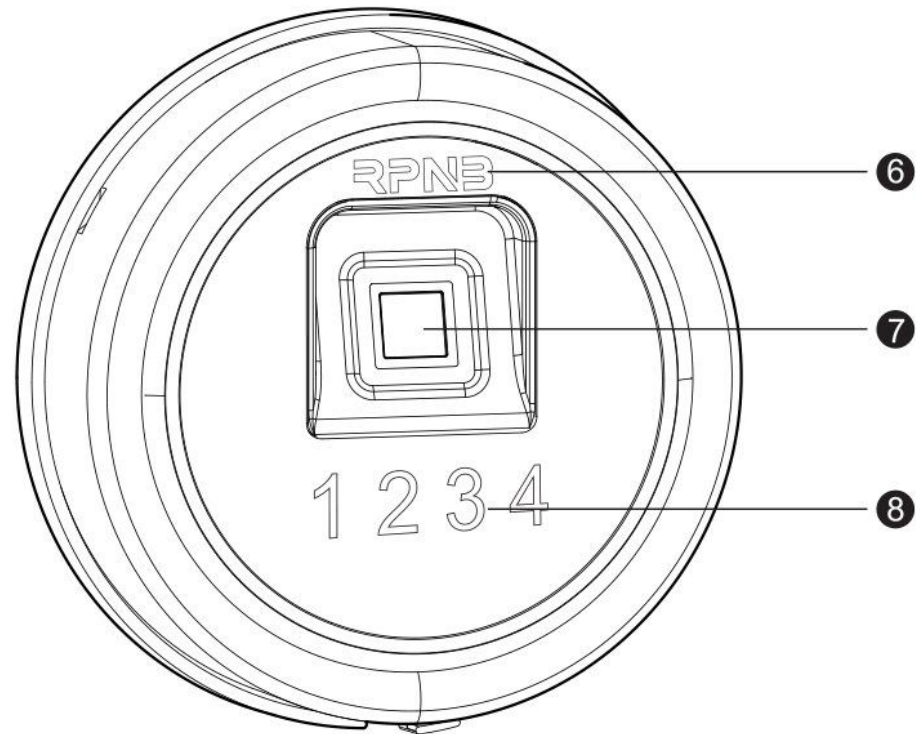
② Removable Shelf

③ Program Button

④ Living Bolts (3)

⑤ Dead Bolts (2)

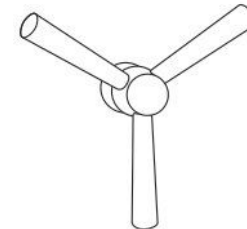
Box Contents



9



10



11



12

6 Indicator Light

7 Fingerprint Sensor

8 Backlit Keypad

9 Backup Keys (2)

10 Expansion Bolt

11 Handle Spoke

12 Instruction Manual

Warning

To prevent damage to your RPNB® unit or bodily injury, read the following safety precautions before using this unit.

DO NOT PLACE OR STORE THE BACKUP KEYS INSIDE THE SAFE AT ANY TIME. IF THE BATTERY FAILS, YOU WON'T BE ABLE TO OPEN THE SAFE.

DO NOT expose to extreme heat or cold. Battery power may be affected.

DO NOT store loaded guns in this unit. Firearms are serious in nature and must be handled with respect. Store responsibly.

ALWAYS check to make sure the safe is closed and locked when it is not in use.

Disclaimer

Neither seller nor manufacturer shall be liable for unauthorized access, any injury, loss or damage to personal property direct or consequential, arising out of the use of, or the inability to use the RPNB® Safe.

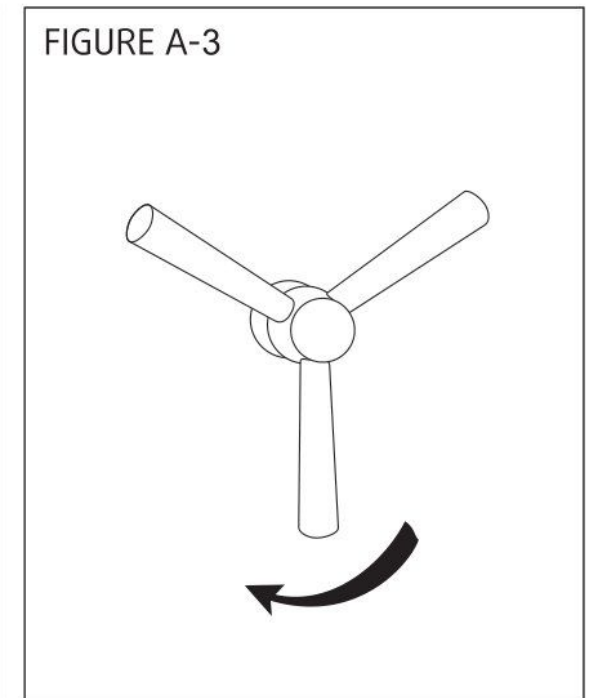
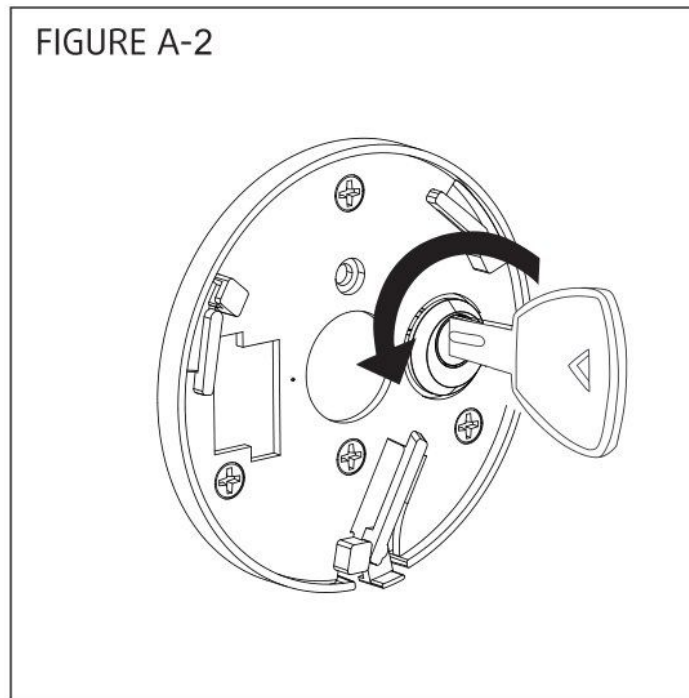
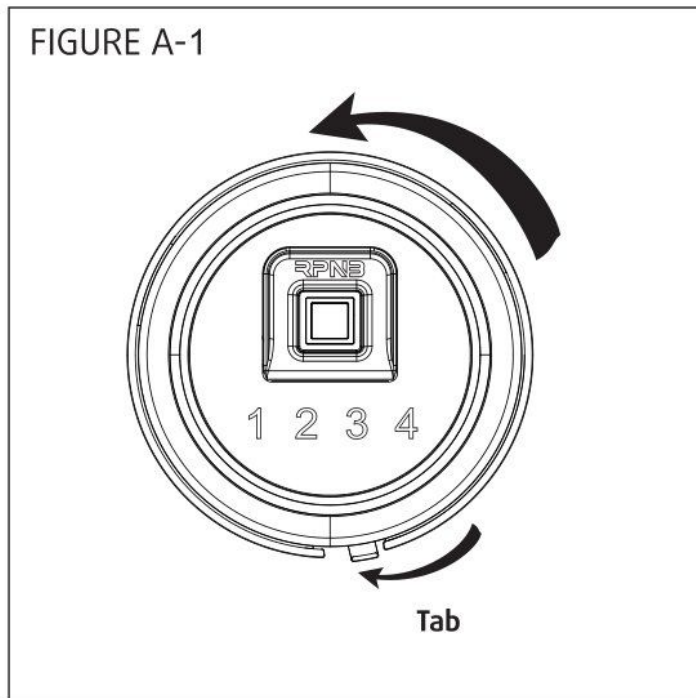
The user shall determine the suitability of the RPNB® Safe before the intended use and user assumes all risk and liability whatsoever in connection therewith, RPNB® Safe are not intended to protect against environmental hazards including fire and water.

Be sure and follow all local and state firearm laws.

DO NOT operate a firearm without proper training and experience.

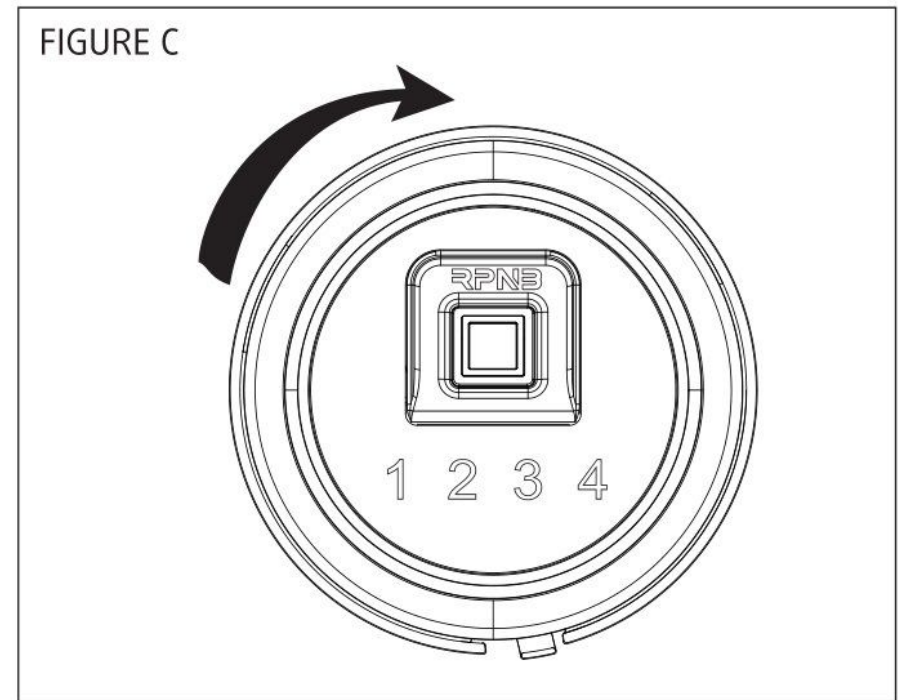
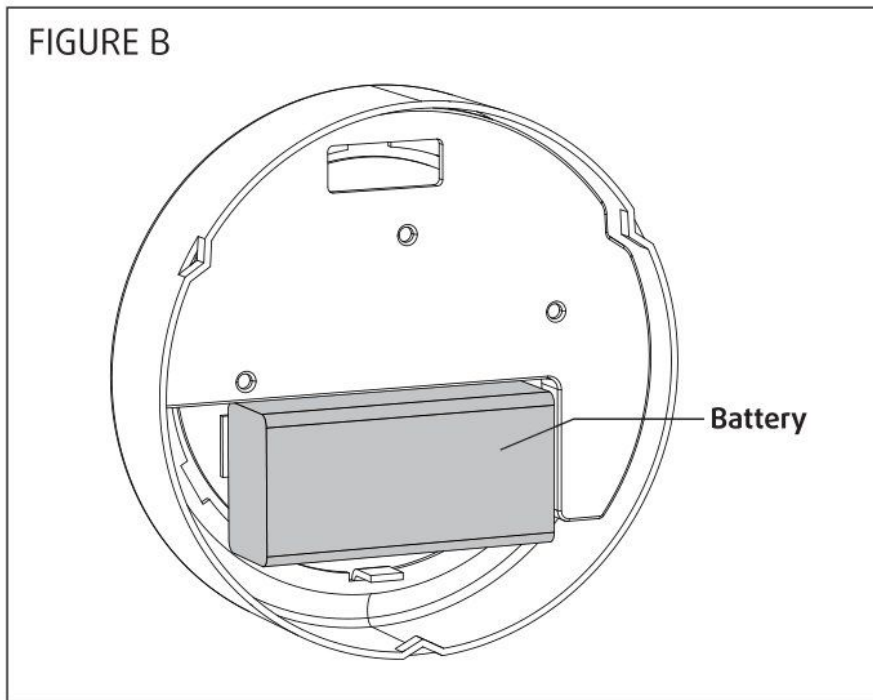
Opening the Safe with the Backup Key

- 1 Locate the handle spoke in the yellow box hanging on the front door foam, mount 3 spokes to the handle hub.
- 2 Press the tab left and turn the lock cover counterclockwise. (see Figure A-1)
- 3 Insert one of your backup keys into the keyhole, turn it counterclockwise (see Figure A-2), at the same time turn the door handle clockwise to open the door. (see Figure A-3)



Battery Installation

- 1 With the lock cover remove, locate the battery compartment.
- 2 Connect a 9V alkaline battery (not included) to the battery connecting cap matching the polarity (+/-) indicated. (see Figure B)
- 3 When the battery is connected correctly, the indicator light will light up once with 1 beep.
- 4 Place the lock cover, turn it clockwise back into its original position. (see Figure C)



NOTE:

When changing the battery, always hold the battery connecting cap while disconnecting or attaching the battery. Do not pull on the wires.

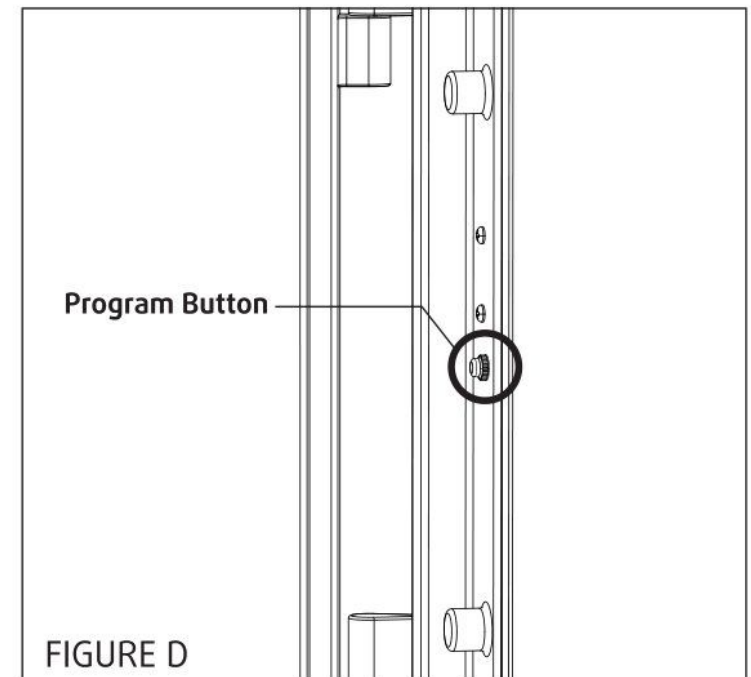
Master Code Programming

First time users should change the default code as soon as possible to prevent unauthorized access to your safe. The code should be kept confidential.

Tips: Code Requirements

- Programming a new code will overwrite your previous code.
- Your code can be a minimum of 4 and a maximum of 6 digits.
- Two keys cannot be pressed simultaneously.
- Press anyone of "1,2,3,4" symbols until all keys (1-4) lights to wake up the system before entering your passcode.

- 1 To get started, wake up the system and enter default code 1-2-3-4 on the keypad to open your safe.
- 2 With the safe open, press the Program Button once and release it, the indicator light will light up BLUE once with 1 beep. (see Figure D)
- 3 Enter your NEW master code.
- 4 Press the Program Button once and release it, the indicator light will light up BLUE 2 times with 2 beeps.
- 5 Now test the passcode after woke up the system. If you set the passcode unsuccessfully, the indicator light will light up RED 5 times with 5 beeps, and the new code will not work. You must repeat the above steps to reset the code.



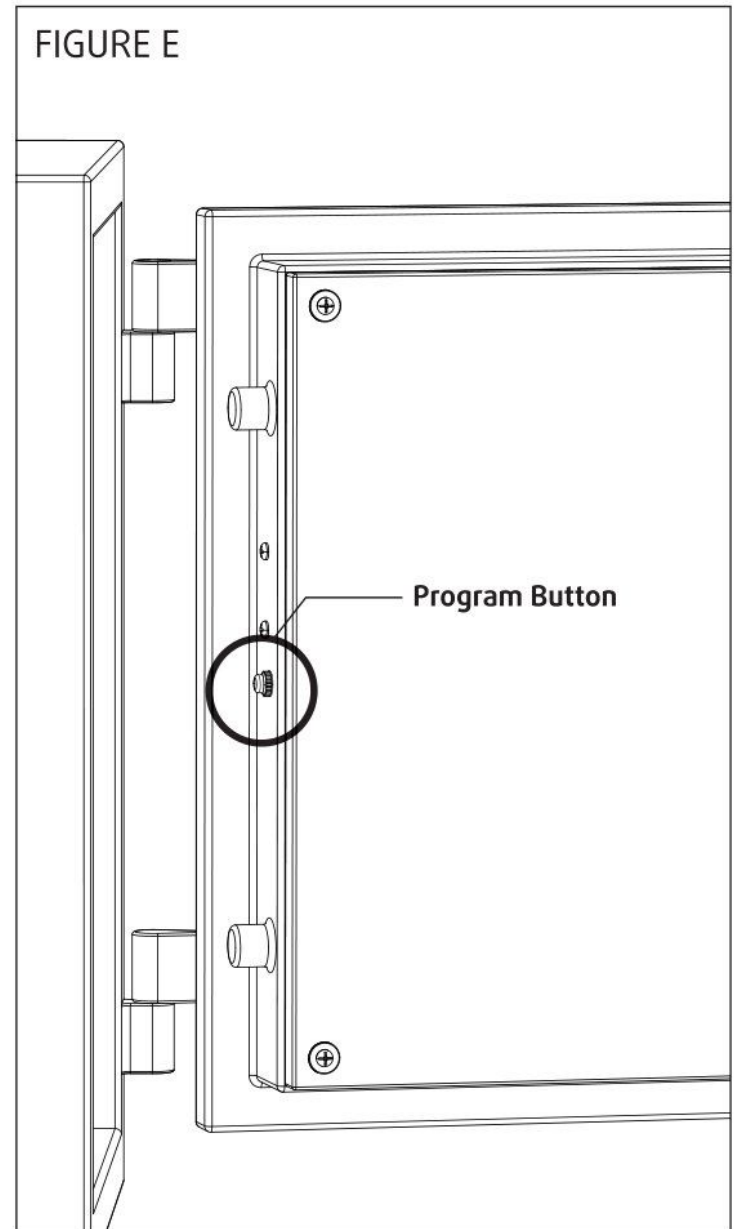
Fingerprint Registering

- 1 With the safe open, press the Program Button once and release it, the indicator light will light up BLUE once with 1 beep. (see Figure E)
- 2 Place your finger on the fingerprint sensor for the 1st of 4 scans. Remove your finger after the indicator light lights up BLUE once with 1 beep. Place your finger again over the fingerprint sensor until the indicator light lights up Blue once with 1 beep. You will repeat this process until the indicator light lights up BLUE 2 times with 2 beeps.
- 3 Now your fingerprint has been successfully registered.
- 4 Test your fingerprint. If you registered the fingerprint unsuccessfully, the new fingerprint will not work. You must repeat the above steps to re-register your fingerprints.

NOTE :

- You cannot register more than 20 fingerprints. If the indicator light lights up RED 5 times with 10 beeps when you register your fingerprint, it means the fingerprint storage capacity is full.

FIGURE E

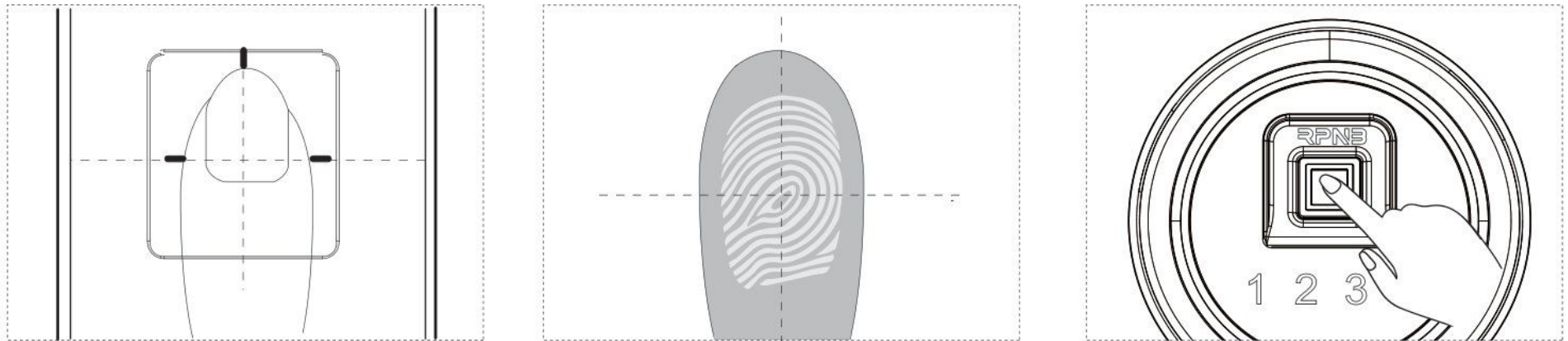


Fingerprint Registering

Helpful Programming Tips :

- 1 Place your finger on the center of the sensor (this allows the sensor to read where most of the fingerprint detail is located).
- 2 Adjust your finger slightly between scans for increased accuracy.
- 3 Excessive moisture, lotion, or dirt will affect your fingerprint and may cause inaccurate sensor reading.
- 4 If you are experiencing difficulty, try different fingers. Each finger is unique, and some fingers such as your thumb, contain more readable information than others.
- 5 To increase your success rate, please register the same fingerprint multiple times.

FIGURE F



Registered Fingerprints Deleting

- 1 Press and hold the Program Button until the indicator light lights up BLUE 2 times with 2 beeps.
- 2 Now all previously registered fingerprints are erased.

Lock-Down System

- If you enter the wrong code or unregistered fingerprints, the indicator light will light up RED 5 times with 5 beeps.
- If the wrong code or unregistered fingerprint is entered 5 consecutive times, the safe will go into a lock-down mode for 5 minutes.
- During this time the indicator light will keep flashing RED, the keypad and fingerprint sensor will be temporarily disabled.
- The safe can still be opened by using the backup keys override.
- After 5 minutes, the safe will automatically resume normal operation.

Low Battery Warning

If the indicator light lights up BLUE 1 second, and then lights up RED 10 times with 10 beeps when opening the safe by electronic way, your battery level is critically low and your safe needs to be replaced the new battery.

Vibration Alarm Setting

Press and hold the number “4” for 4 seconds until you hear 1 beep and the indicator light lights up together.

NOTE:

- During the alarm, the keypad and fingerprint sensor will be temporarily disabled, the safe can still be opened by the backup keys or you can reinsert the battery.
- After the alarm is deactivated, you need to reset the above steps.

Locking the Safe

Turn the door handle clockwise to close the door.

Silence Mode Setting

To silence the audible sound of the electronics, hold the number “1” for 3 seconds, until the indicator light lights up. To unmute the keys, repeat this step, you will hear 1 beep and the indicator light lights up together.

Securing Your Safe

There are some mounting screws included to mount your RPNB® safe to a flat surface using the pre-drilled holes in the bottom.

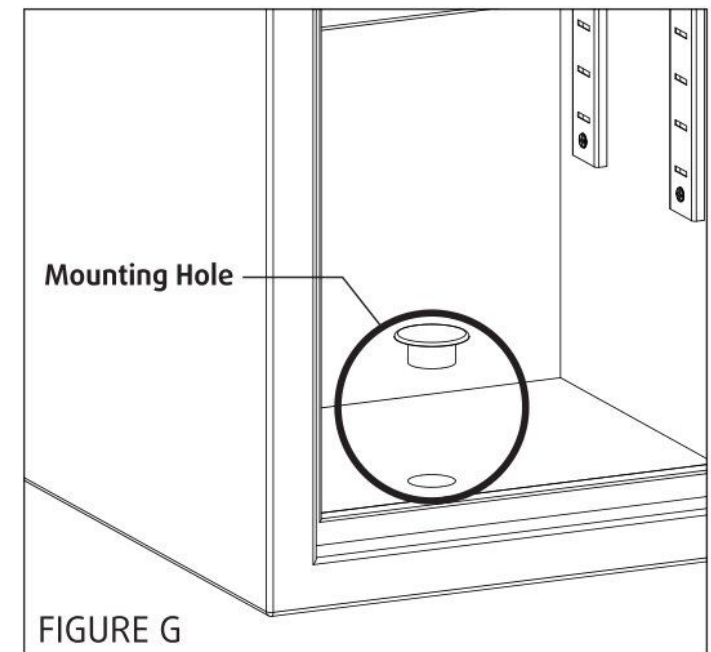
Using the Mounting Screws

Tip: Make sure you have enough clearance for the lid to open properly before mounting the safe.

- 1 Use the mounting hole in the bottom of the safe to mark the desired mounting location.
- 2 Remove the cover, then use a pencil to mark the hole for drilling. (Figure G)
- 3 Position safe in place and install the expansion bolt through safe into pilot hole. Tighten screws.

IMPORTANT :

- Use the expansion bolt when there is a concrete wall surface.
Use the clamping screw when there is a wooden wall surface.





RPNB