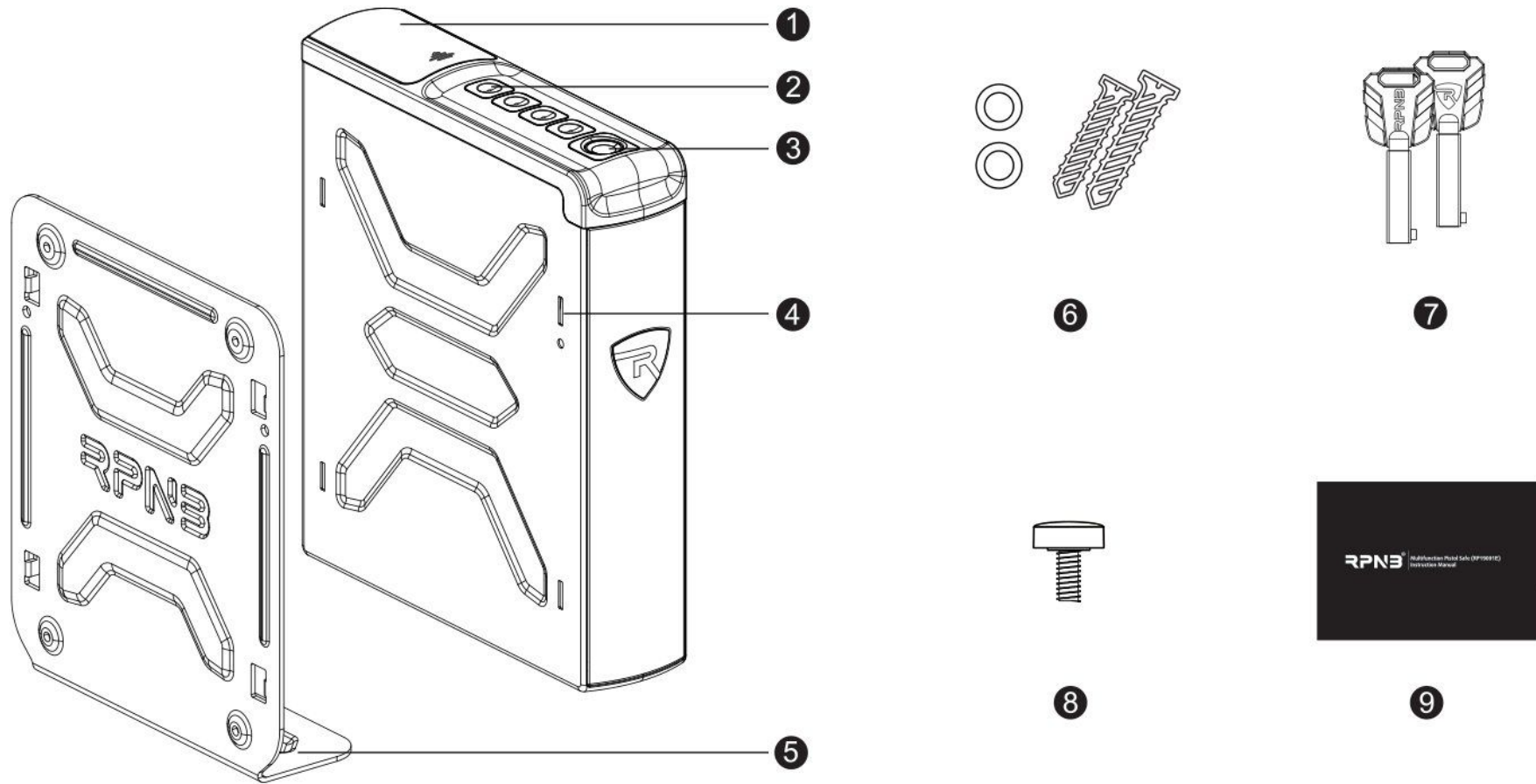


RPNB[®] | **Carbon Knight**
Instruction Manual (RP2007)

Box Contents



1 Lock Cover

2 Backlit Keypad

3 Fingerprint Sensor

4 Mounting Slots (8)

5 Mounting Bracket

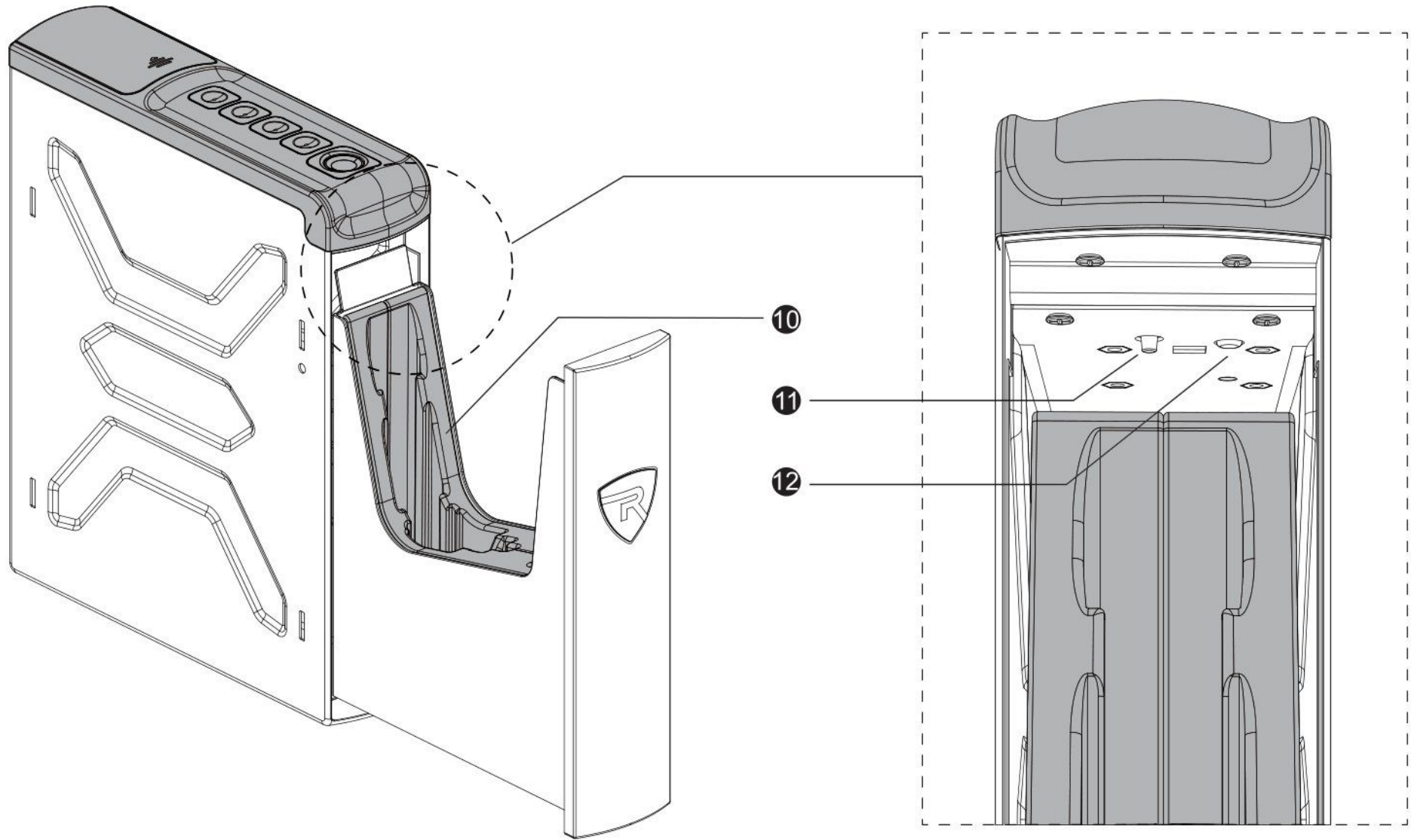
6 Hardware Mounting Kit

7 Backup Keys (2)

8 Thumb Screw

9 Owner's Manual/ Quick Start Guide

Box Contents



10 Pistol Holder Rack and Magazine Rack

11 Program Button

12 Interior Light

Warning

To prevent damage to your RPNB® unit or bodily injury, read the following safety precautions before using this unit.

DO NOT PLACE OR STORE THE BACKUP KEYS INSIDE THE SAFE AT ANY TIME. IF THE BATTERY FAILS, YOU WON'T BE ABLE TO OPEN THE SAFE.

DO NOT expose to extreme heat or cold. Battery power may be affected.

DO NOT store loaded guns in this unit. Firearms are serious in nature and must be handled with respect. Store responsibly.

ALWAYS check to make sure the safe is closed and locked when it is not in use.

Disclaimer

Neither seller nor manufacturer shall be liable for unauthorized access, any injury, loss or damage to personal property direct or consequential, arising out of the use of, or the inability to use the RPNB® Safe.

The user shall determine the suitability of the RPNB® Safe before the intended use and user assumes all risk and liability whatsoever in connection therewith, RPNB® Safe are not intended to protect against environmental hazards including fire and water.

Be sure and follow all local and state firearm laws.

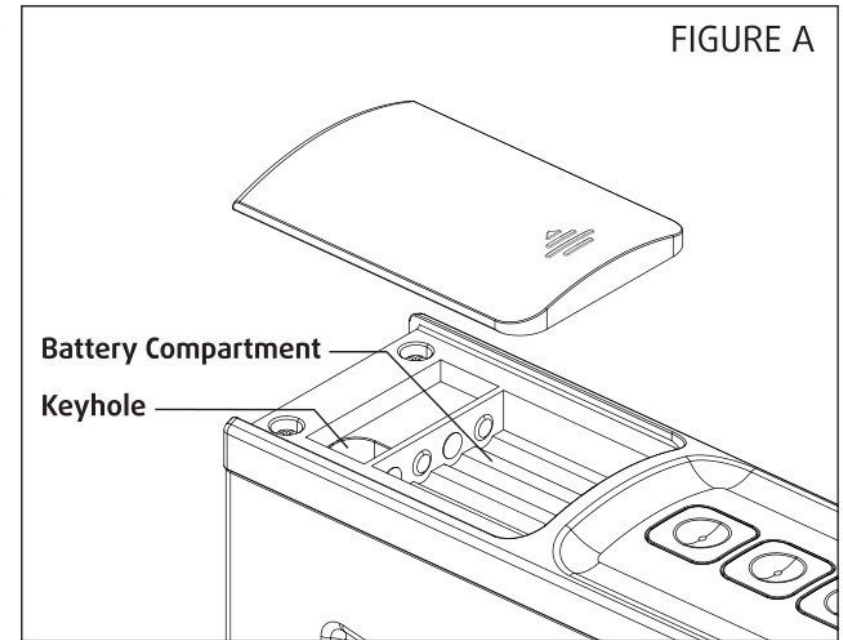
DO NOT operate a firearm without proper training and experience.

Battery Installation

- 1 To get started, remove the lock cover and insert one of your backup keys into the keyhole. Push the key in and rotate the key 15 degrees clockwise to open the safe. (see Figure A)
- 2 Locate the battery compartment and insert 4 AAA alkaline batteries (not included) into the battery compartment matching the polarity (+/-) indicated.
- 3 When the batteries are inserted correctly, the keypad and fingerprint sensor will light up with one beep.

IMPORTANT :

Use 4 AAA alkaline batteries. New batteries cannot be used together with old batteries.



Low Battery Warning

- The batteries must be changed if the keypad and fingerprint sensor flashes RED 6 times followed by 6 beeps when opening it electronically.
- If the batteries are completely drained, you will notice 10 RED flashed followed by 10 beeps. The safe must be opened with the backup keys.

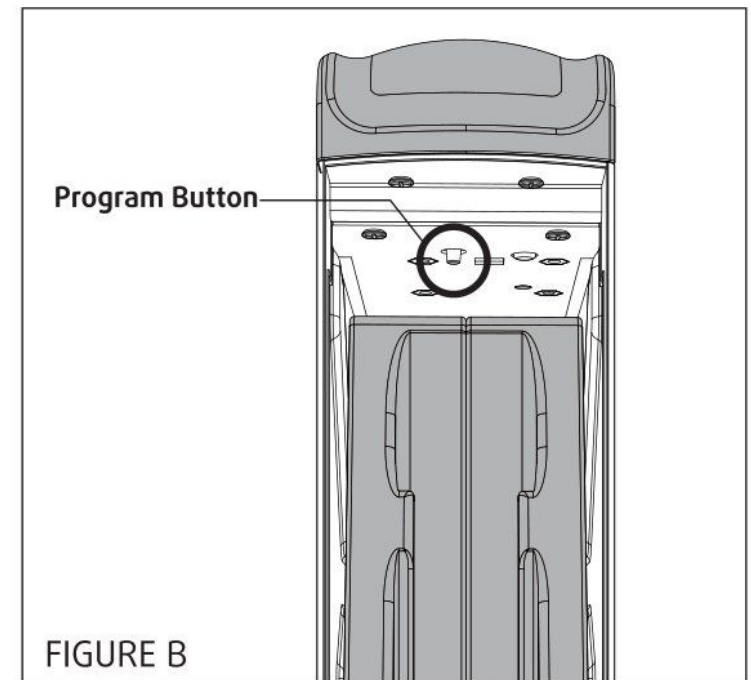
Master Code Programming

First time users should change the default code as soon as possible to prevent unauthorized access to your safe. The code should be kept confidential.

TIP: Code Requirements

- Programming a new code will overwrite your previous code.
- Your code can be a minimum of 4 and a maximum of 6 digits.
- Two keys cannot be pressed simultaneously.

- 1 Enter default code 1-2-3-4 on the keypad to open your safe.
- 2 With the safe open, press and hold the Program Button (see Figure B), until the keypad and fingerprint sensor lights up BLUE 2 times with 2 beeps.
- 3 Enter your NEW master code.
- 4 Press the Program Button once and release it, the keypad and fingerprint sensor will light up BLUE 2 times with 2 beeps. This tone confirms that the passcode has been reset.
- 5 Now test the code. If you set the passcode unsuccessfully, the new code will not work, simply start over with step 2.



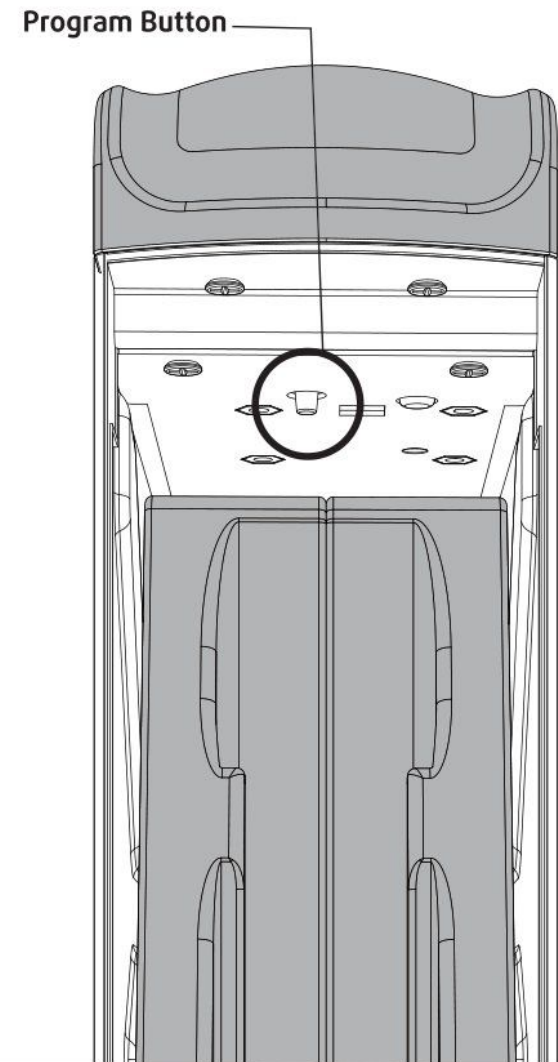
Fingerprint Registering

- 1 With the safe open, press and hold the Program Button (see Figure C), until the keypad and fingerprint sensor lights up BLUE 2 times with 2 beeps.
- 2 Place your finger on the fingerprint sensor for the 1st of three scans. Remove your finger after the keypad and fingerprint sensor lights up BLUE once with 1 beep. You will repeat this process until the keypad lights up BLUE 2 times and fingerprint sensor lights up GREEN, with 2 beeps.
- 3 Now your fingerprint has been successfully registered.
- 4 Test your fingerprint. If you registered fingerprint unsuccessfully, the new fingerprint will not work. You must repeat the above steps to re-register your fingerprints.

NOTE :

- You cannot register more than 20 fingerprints. If the keypad and fingerprint sensor lights up RED 10 times with 10 beeps when you register your fingerprints, it means the fingerprint storage capacity is full.

FIGURE C

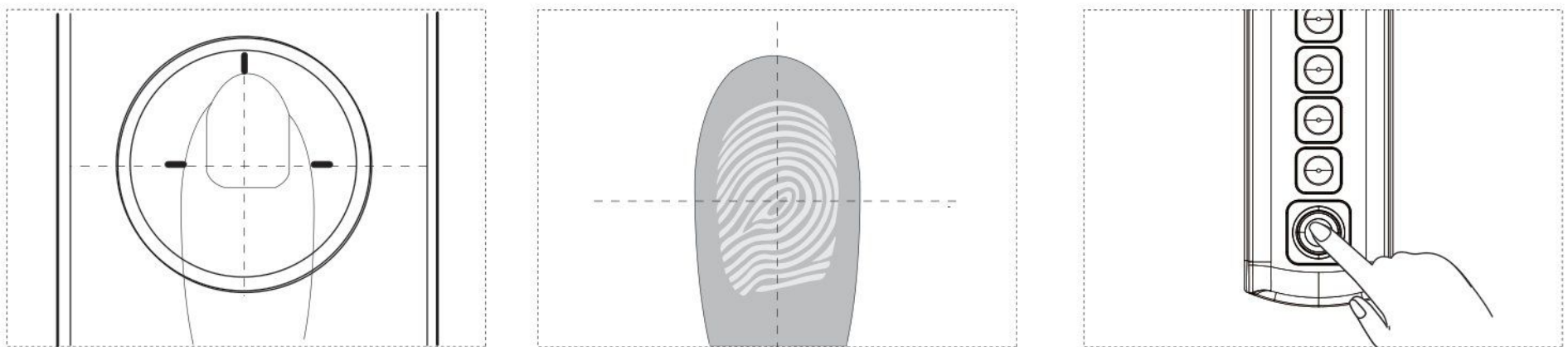


Fingerprint Registering

Helpful Programming Tips :

- 1 Place your finger on the center of the sensor (this allows the sensor to read where most of the fingerprint detail is located).
- 2 Adjust your finger slightly between scans for increased accuracy.
- 3 Excessive moisture, lotion, or dirt will affect your fingerprint and may cause inaccurate sensor reading.
- 4 If you are experiencing difficulty, try different fingers. Each finger is unique, and some fingers such as your thumb, contain more readable information than others.
- 5 To increase your success rate, please register the same fingerprint multiple times.

FIGURE D



Registered Fingerprints Deleting

- 1 Press and hold the Program Button.
- 2 The keypad and fingerprint sensor will light BLUE 2 times with 2 beeps.
- 3 Keep holding the program button until the keypad lights up BLUE 2 times and fingerprint sensor lights up GREEN, with 2 beeps.
- 4 Now all previously registered fingerprints are erased.

Lock-Down System

- If you enter the wrong code or unregistered fingerprints, the keypad and fingerprint sensor will light up RED 5 times with 5 beeps.
- If the wrong code or unregistered fingerprint is entered 5 consecutive times, the safe will go into a lock-down mode for 5 minutes.
- During this time the buttons will flash RED after press any buttons, the keypad and fingerprint sensor will be temporarily disabled.
- The safe can still be opened using the backup keys override.
- After 5 minutes, the safe will automatically resume normal operation.

Silence Mode Setting

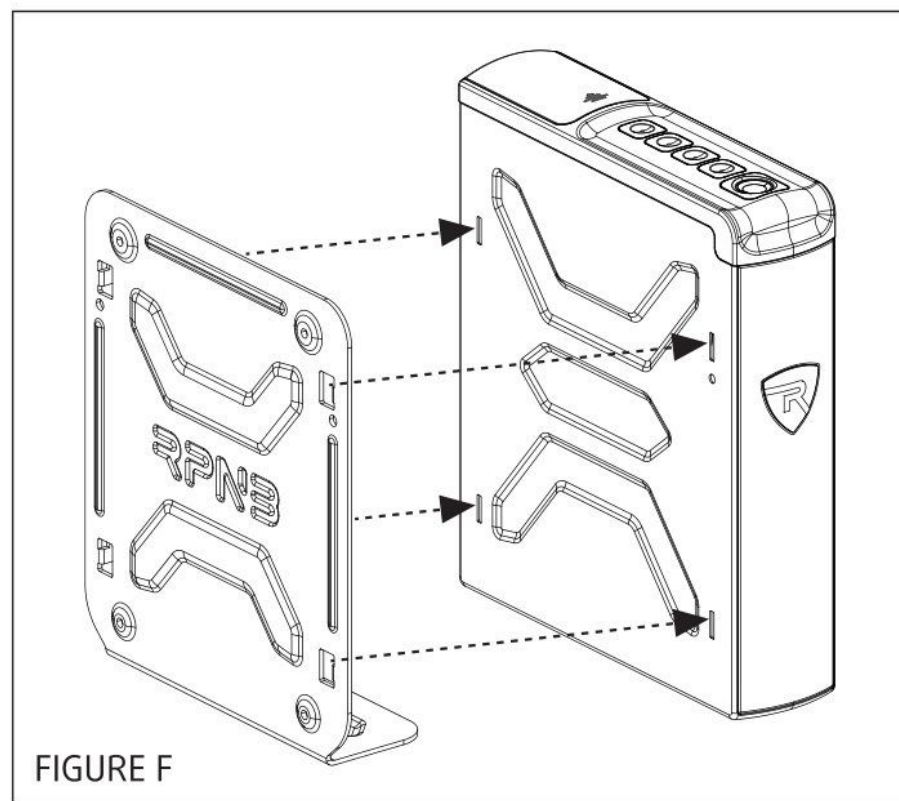
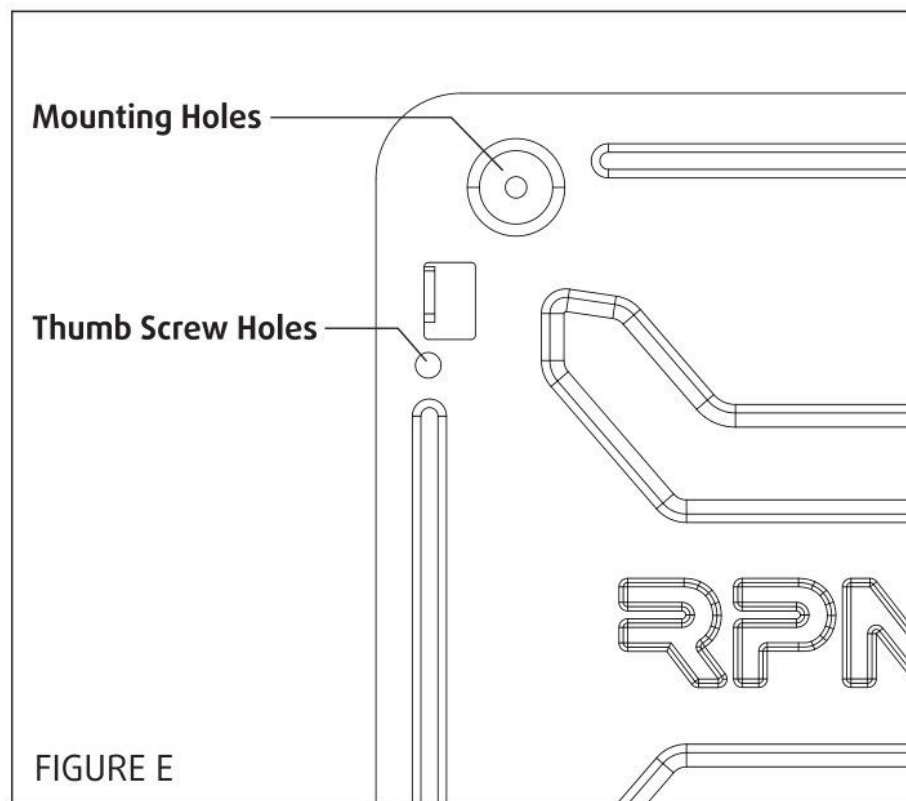
To silence the audible sound of the electronics, hold the "1" button for 3 seconds until all the buttons flash BLUE 3 times together. To unmute the keys, repeat this step.

Mounting Your Safe

IMPORTANT

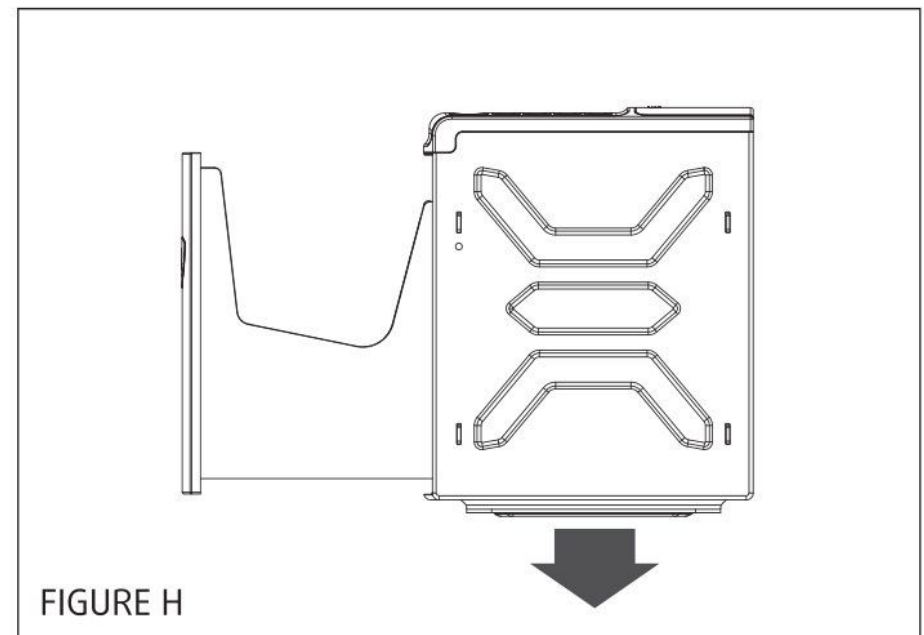
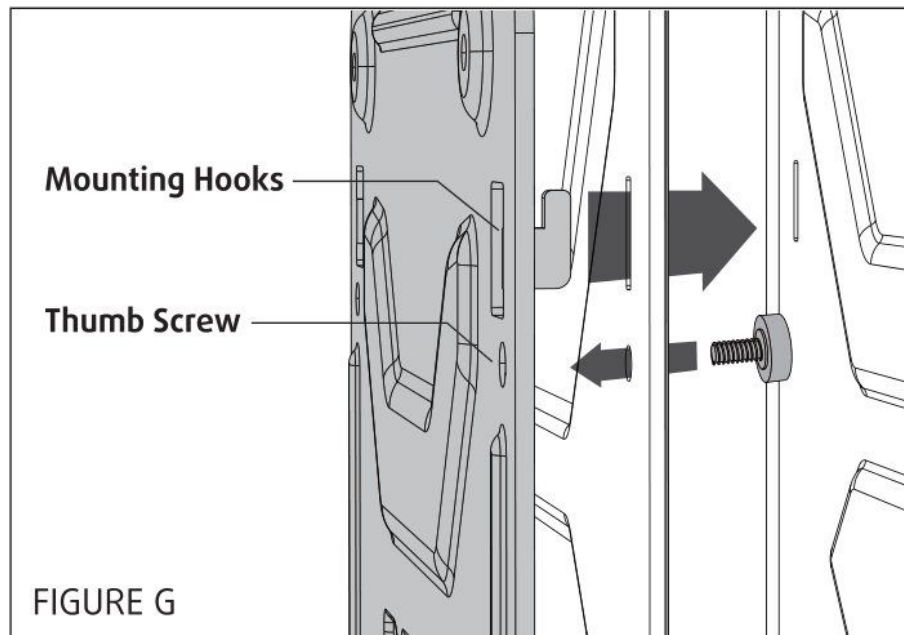
DO NOT let the safe door face the floor when you're mounting the safe with the vertical direction to avoid property damage.

- 1 Use the mounting holes on the side of the mounting bracket to mark the desired mounting location. (see Figure E)
- 2 Use appropriate mounting tools to screw the bracket to desired location.



Mounting Your Safe

- 3 Insert the hooks on the mounting bracket into the mounting slots on the safe, and press the safe downwards to lock in place. (see Figure G&H)
- 4 With the safe open, fix the safe to the bracket with one thumb screw from inside the safe. (see Figure G)
- 5 Close the safe, and it can be used now.



NOTE:

- Use proper drilling tools and mounting hardware based on the type of surface you are mounting the safe onto. Supplied screws are intended to be used on wooden surfaces.
- Make sure you have enough clearance for the lid to open properly before mounting the safe.
- The safe can be installed on the mounting bracket from the left or right side.



RPNB[®]
For a safer world



RPNB