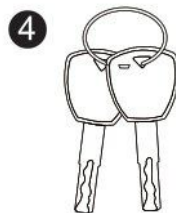
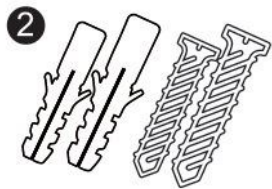
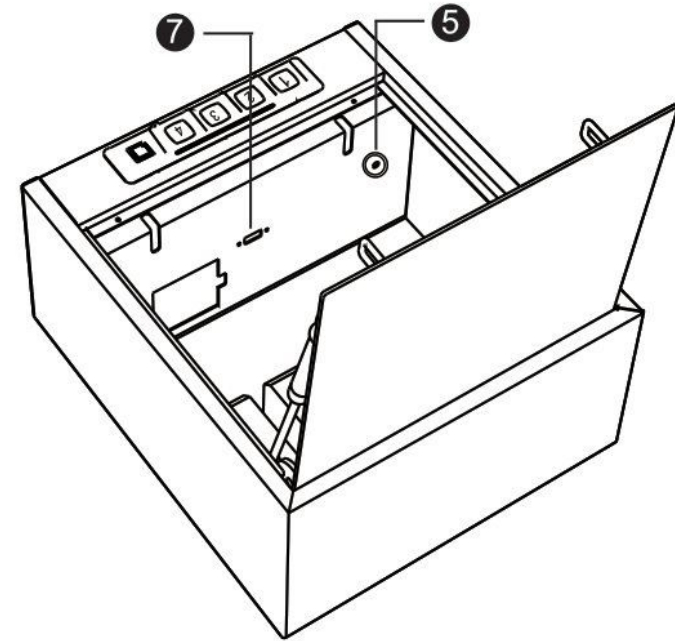
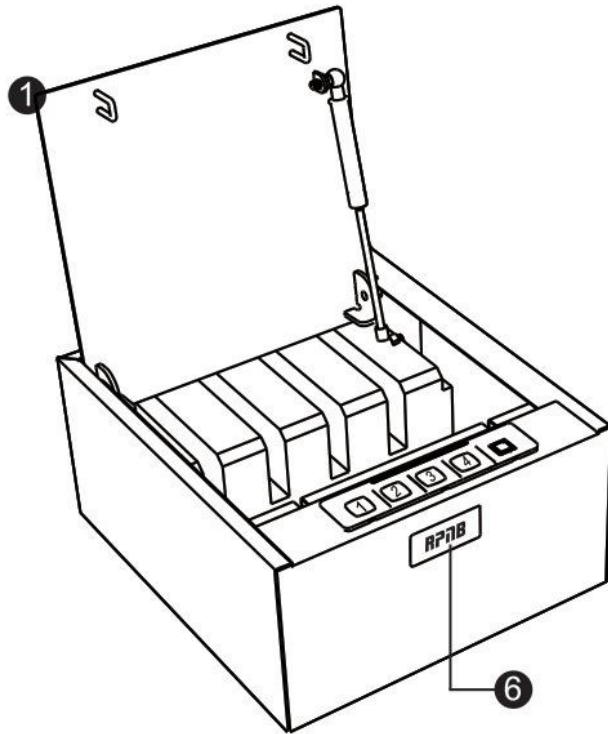




**Multifunction Pistol Safe (RP2004)
Instruction Manual**

RPNBSafe delivers security exactly where you want it.

Box Contents



- ① RPNB® Safe
- ② Hardware Mounting Kit
- ③ Owner's Manual/Quick Start Guide
- ④ Backup Keys (2)
- ⑤ Program Button Cover
- ⑥ Backup Key Cover
- ⑦ Interior Light

Warnings

To prevent damage to your RPNB® unit or injury to yourself or to others, read the following safety precautions before using this unit.

DO NOT PLACE OR STORE THE BACKUP KEYS INSIDE THE SAFE AT ANY TIME. IF THE BATTERY FAILS, YOU WILL BE UNABLE TO OPEN THE SAFE.

DO NOT expose to extreme heat or cold. Battery power may be affected.

DO NOT store loaded guns in this unit. Firearms are serious in nature and must be handled with respect. Store responsibly.

ALWAYS check to make sure door has latched when closing; Lid requires a firm press and locks automatically.

Disclaimers

Neither seller nor manufacturer shall be liable for unauthorized access, any injury, loss or damage to personal property direct or consequential, arising out of the use of, or the inability to use the RPNB® Safe.

The user shall determine the suitability of the RPNB® Safe before the intended use and user assumes all risk and liability whatsoever in connection therewith, RPNB® Safe are not intended to protect against environmental hazards including fire and water.

Be sure and follow all local and state firearm laws.

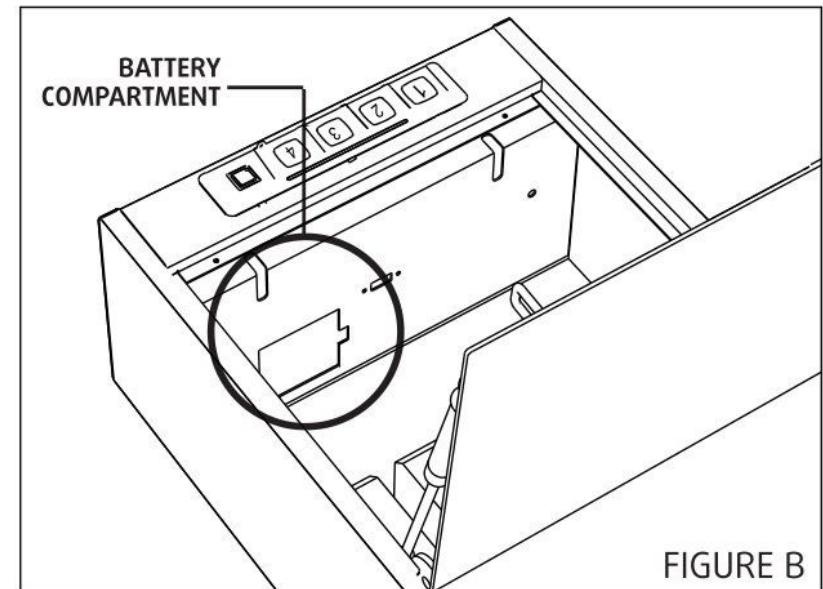
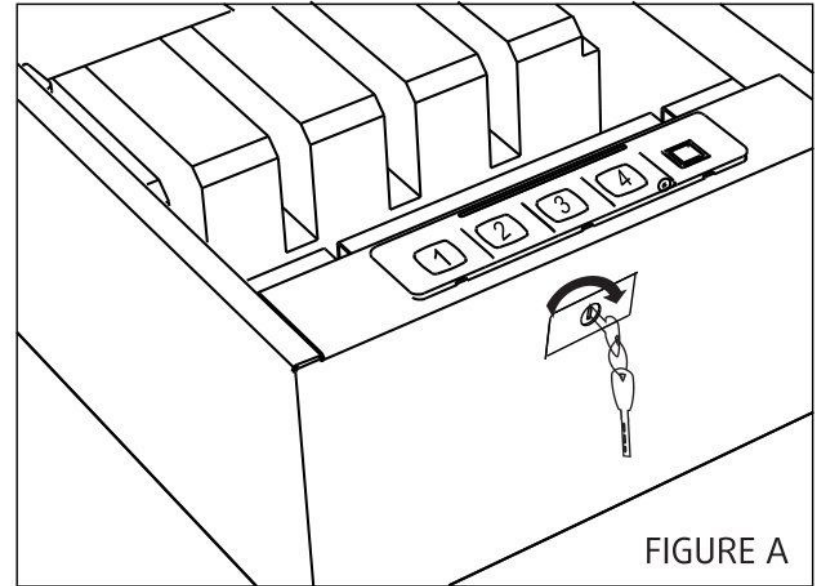
DO NOT operate a firearm without proper training and experience.

Battery Installation

- 1 To get started, remove the backup key cover and insert one of your backup keys into the keyhole at the front of the safe. Push key in and rotate the key 30 degrees clockwise (RIGHT) to open the safe (see Figure A).
- 2 Locate the battery compartment door on the inside of the safe directly below the keypad (see Figure B).
- 3 Open the battery cover and insert the 4 AA alkaline batteries (not included) into the battery compartment. Note that pay attention to the "+" and "-" signs. The "-" end of the batteries go against the spring inside of the compartment.
- 4 When the batteries are inserted correctly you will hear a short beep.
- 5 Once you hear the beep, place the battery cover. You are now ready to program your safe.

IMPORTANT:

- Use the NEW AA alkaline battery. Using other batteries may cause unusable conditions.
- Your RPNB® safe will automatically lock when you fully close the lid.



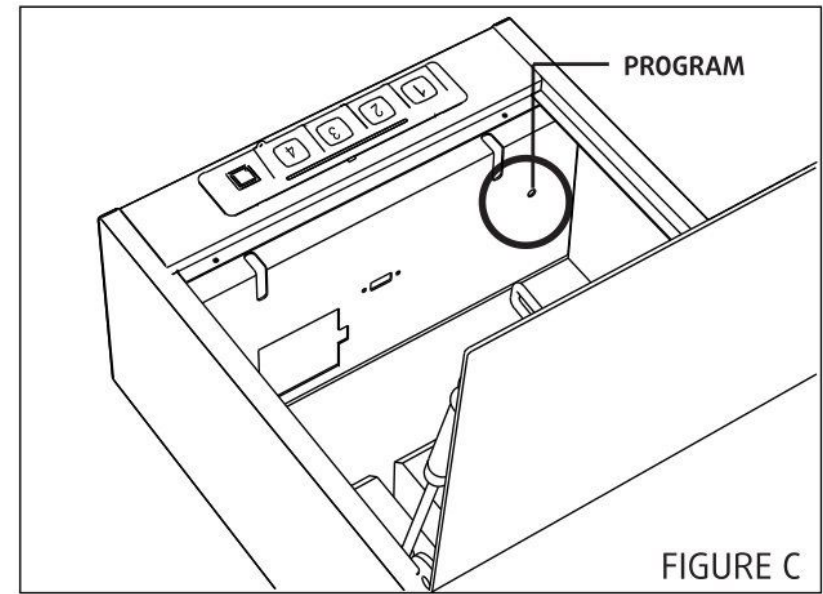
Master Code Programming

First time users should change the default code as soon as possible to prevent unauthorized access to your safe, so it should be kept confidential.

TIP: Code Requirements

- Your code can be a minimum of 4 and a maximum of 6 digits. For your security, the safe will time out and sleep for five minutes if 5 incorrect entries are made. The safe can still be opened by using the backup keys override.
- Two keys cannot be pressed simultaneously.
- Programming a new code will overwrite your previous code.

- 1 Enter default code 1-2-3-4 on the keypad to open your safe (see Figure A).
- 2 With the safe open, remove the Program Button Cover, press and hold the "PROGRAM" button (3 seconds), the keypad will light up WHITE once with one beep(see Figure C).
- 3 Enter your NEW master code.
- 4 Press the "PROGRAM" button once and release it, the keypad will light up WHITE twice with the double beeps. This tone confirms that the password has been reset.
- 5 Now test the code. If you make a mistake, the keypad will RED 5 with 5 beeps, and the new code will not work, simply start over with step 2.



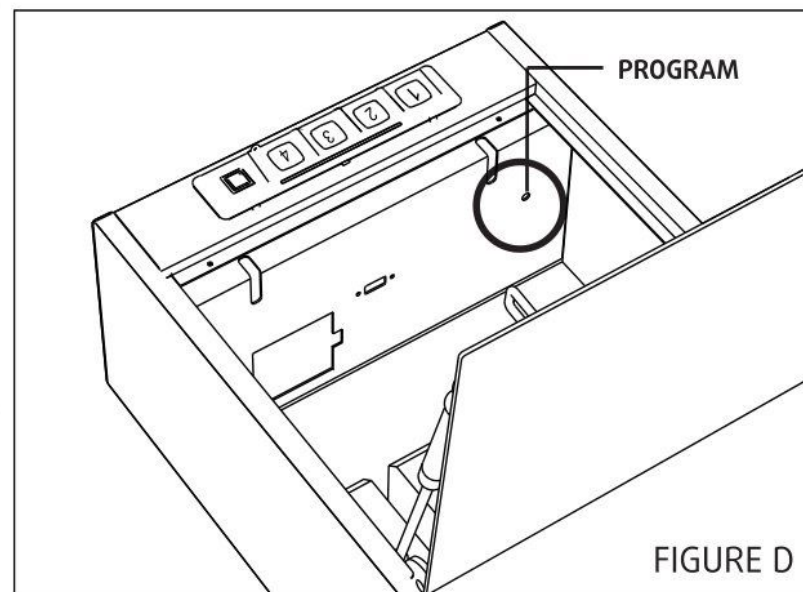
Programming the Fingerprints

To Register Your Fingerprint, Locate the "Program" Button.

- 1 With the safe open, remove the Program Button Cover, press and hold the "PROGRAM" button (3 seconds) (see Figure D), the keypad will light up WHITE once with one beep.
- 2 Using the helpful programming tips provided on page 6 (see Figure E) place your finger on the fingerprint scanner for the 1st of four scans. When the safe a short beep once and the keypad light up WHITE remove your finger. Place finger again over the scanner until the safe a short beep once and the keypad light up WHITE and lift. You will repeat this process until the keypad light up twice with the double beeps.
- 3 Now your fingerprint has been successfully registered. Close door and test to see if the safe will open using your fingerprint. If you make a mistake and the new fingerprint will not work, you must repeat the above steps.

Note:

- If all keys flash RED 5 times with 5 beeps, it means registration has failed and you must repeat the above steps.
- You cannot register more than 20 fingerprints. If the light flashes RED 5 times with 10 beeps when you register once your fingerprint, it means the fingerprint storage capacity is full.



Programming the Fingerprints

Helpful Programming TIPS:

- 1 Place your finger on the center of the scanner (this allows the scanner to read where most of the fingerprint detail is located).
- 2 Adjust your finger slightly between scans for increased accuracy.
- 3 Excessive moisture, lotions, or dirt will affect your fingerprint and may cause inaccurate sensor reading.
- 4 If you are experiencing difficulty try different fingers. Each finger is unique, and some fingers such as your thumb, contain more readable information than others.
- 5 To increase your success rate, please register the same fingerprint multiple times.

FIGURE E



Delete the Registered Fingerprint

- 1 Press and hold the program button.
- 2 You will see the light flash WHITE once and hear one beeps.
- 3 Keep holding the program button until you hear another double beeps with two WHITE flashes, then release it. (The whole process will take 5-6 seconds.)
- 4 Now all registered fingerprints are erased.

IMPORTANT

When only flash WHITH once with one beep, do not let go. You must hold the program button until the light flash twice with double beeps, then release it.

Silence Mode Setting

To silence the audible sound of the electronics, hold the "1" button for 4 seconds until you hear one beep and the light will flash WHITH once together. To unmute the keypad, repeat this step.

Low Battery Warning

If the keypad light up WHITE (1-3 seconds) and then light up RED 10 times with 10 beeps when opening the safe by electronic way, your battery level is critically low and your safe needs to be replaced the 4 new batteries.

Securing Your Safe

There are some mounting screws included to mount your RPNB® safe to a flat surface using the pre-drilled holes on the bottom.

Using the Mounting Screws

TIP: Make sure you have enough clearance for the lid to open properly before mounting the safe.

- 1 Position the safe on a flat surface where you want to mount it.
- 2 Use a pencil to mark the holes for drilling.
- 3 Drill pilot holes.
- 4 Position safe in place and install screws through safe into pilot holes. Tighten screws.

IMPORTANT

Mounting the safe vertically so that the door flips upward will result in incomplete opening of the safe due to weight. The door will open if the safe is mounted vertically so that door opens down or to side.



RP7B®

Dear Customer:
Thank for your business

— BEST WISHES FOR YOU —

RP7B®

Ver 1.03