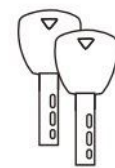
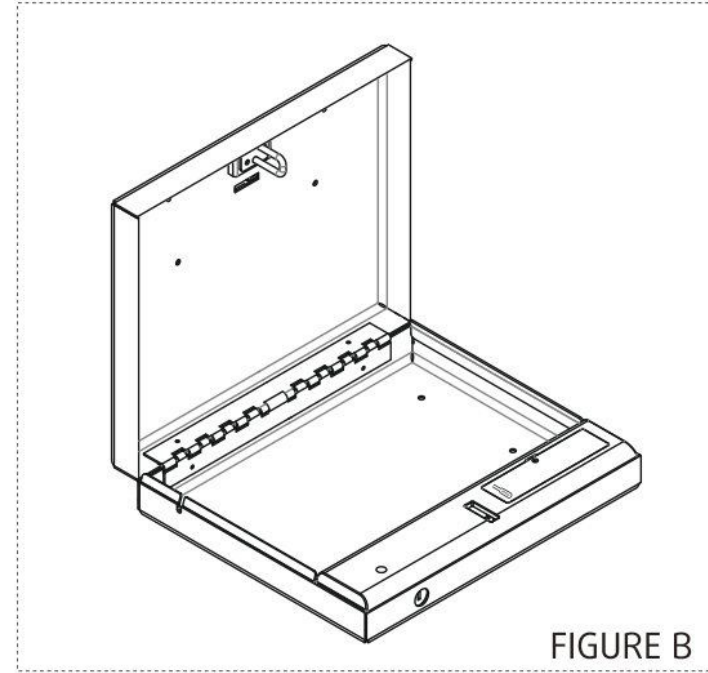
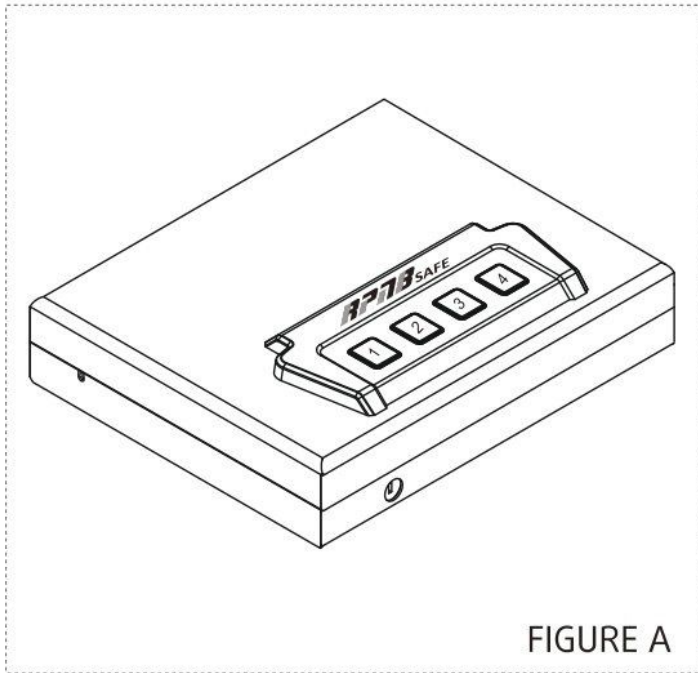




DIGITAL PISTOL SAFE (RP19003)
Instruction Manual

RPNBSafe delivers security exactly where you want it.

Box Contents



- RPNB® Safe
- High Strength Steel Security Cable
- Screwdriver

- Hardware Mounting Kit
- Owner's Manual/ Quick Start Guide
- Backup Keys (2)

Warnings

To prevent damage to your RPNB® unit or injury to yourself or to others, read the following safety precautions before using this unit.

DO NOT PLACE OR STORE THE BACKUP KEYS INSIDE THE SAFE AT ANY TIME. IF THE BATTERY FAILS, YOU WILL BE UNABLE TO OPEN THE SAFE.

DO NOT expose to extreme heat or cold. Battery power may be affected.

DO NOT store loaded guns in this unit. Firearms are serious in nature and must be handled with respect. Store responsibly.

ALWAYS check to make sure door has latched when closing; Lid requires a firm press and locks automatically.

Disclaimers:

Neither seller nor manufacturer shall be liable for unauthorized access, any injury, loss or damage to personal property direct or consequential, arising out of the use of, or the inability to use the RPNB® Safe.

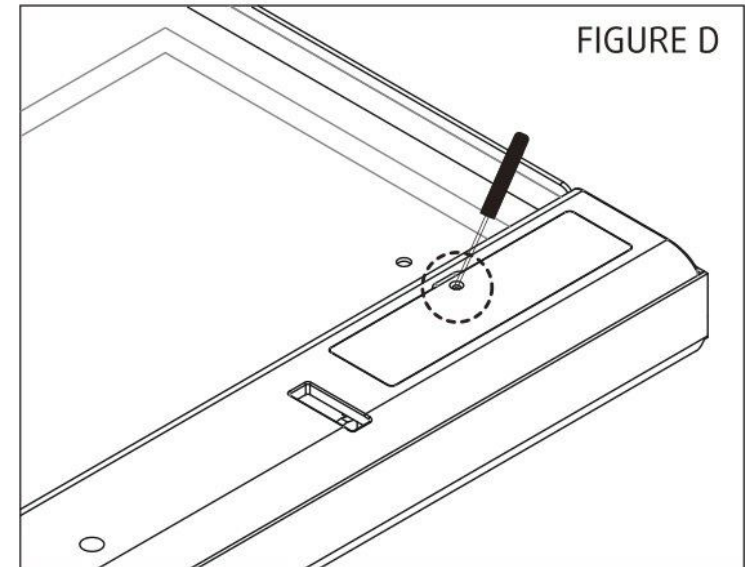
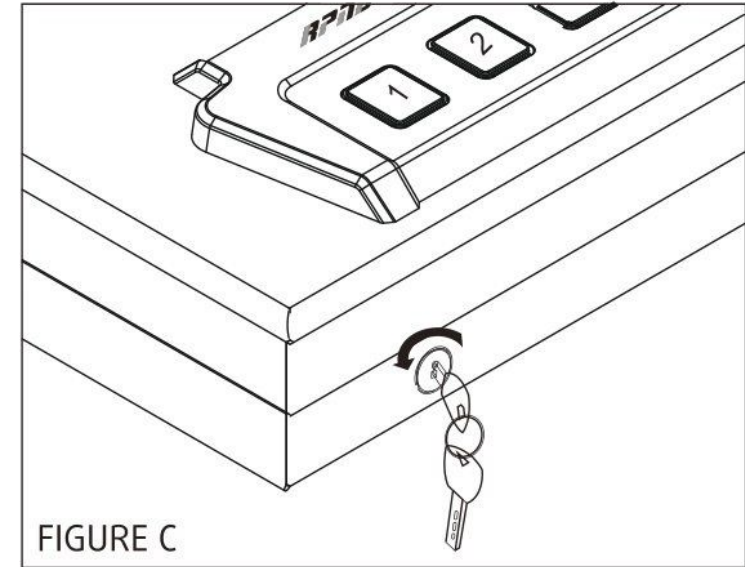
The user shall determine the suitability of the RPNB® Safe before the intended use and user assumes all risk and liability whatsoever in connection therewith, RPNB® Safe are not intended to protect against environmental hazards including fire and water.

Be sure and follow all local and state firearm laws.

DO NOT operate a firearm without proper training and experience.

Battery Installation

- 1 To get started, insert one of your backup keys into the keyhole at the front of the safe (see Figure C). Push key in and rotate the key 60 degrees counterclockwise to open the safe.
- 2 Locate the battery compartment door on the inside of the safe. Open the battery compartment door by removing the screw with the screwdriver. (Figure D).
- 3 Open the battery cover and insert the 4 AAA alkaline batteries (not included) into the battery compartment. Note that pay attention to the "+" and "-" signs. The "-" end of the batteries go against the spring inside of the compartment.
- 4 When the batteries are inserted correctly you will hear a short beep once and the keypad will light up.
- 5 Once you hear the beep and see the keypad light up, place the battery cover. You are now ready to program your safe.



IMPORTANT: Your RPNB® safe will automatically lock when you fully close the lid.

Master Code Programming

First time users should change the default code as soon as possible to prevent unauthorized access to your safe, so it should be kept confidential.

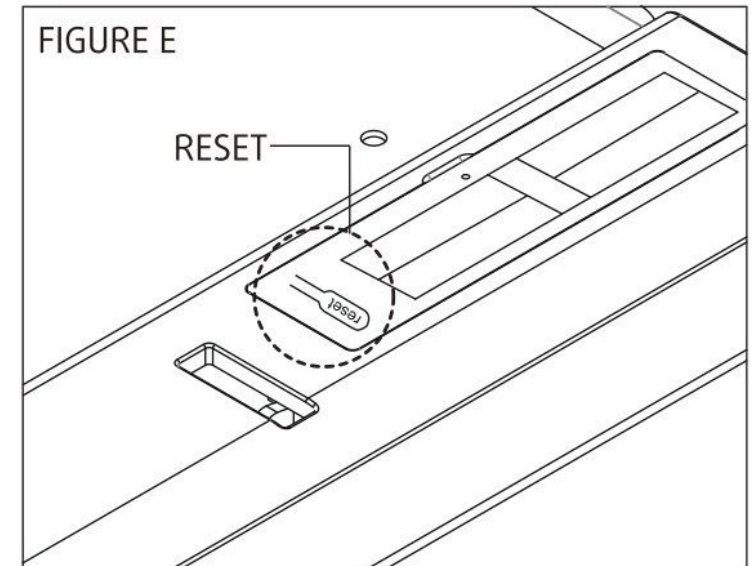
TIP: Code Requirements

- Your code can be a minimum of 4 and a maximum of 6 digits. For your security, the safe will time out and sleep for five minutes if 5 incorrect entries are made. During this time, any key you press will flash red once.
- Two keys cannot be pressed simultaneously.
- Programming a new code will overwrite your previous code.

- 1 Enter default code 1-2-3-4 on the keypad to open your safe.
- 2 Press the "RESET" button (all keys will light up once with the one beep) and hold it (**3 seconds**), then let go, all keys (1-4) will light up once again with the one beep.

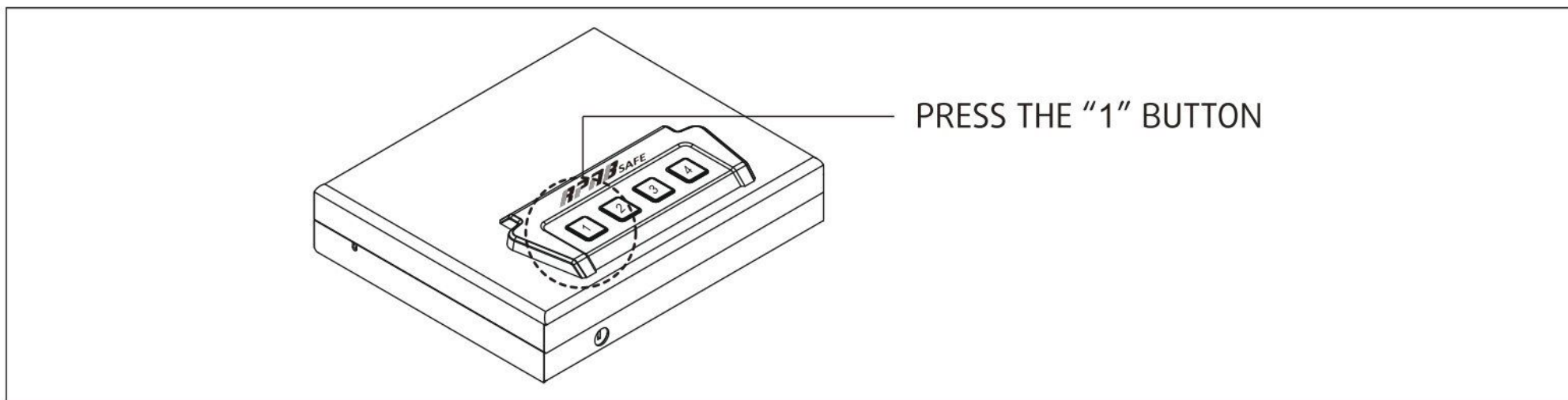
TIP: If you make a mistake, all keys will light up red five times with five beeps.

- 3 Enter your NEW master code.
- 4 Press the "RESET" button once (**1 second**) and let go, all keys (1-4) will light up blue twice with double beeps. This tone confirms that the password has been reset.
- 5 Now test the code. If you make a mistake and the new code will not work, simply start over with step 2.



Silence Mode Setting

To silence the audible sound of the electronics, press the "1" button for 3 seconds, all keys (1-4) will light up once and let go. To turn the sound back on repeat the above steps.



Low Battery Warning

If the indicator light will light up yellow five times with five beeps when opening the safe, your battery level is critically low and your safe needs to be replaced the 4 new batteries.

IMPORTANT

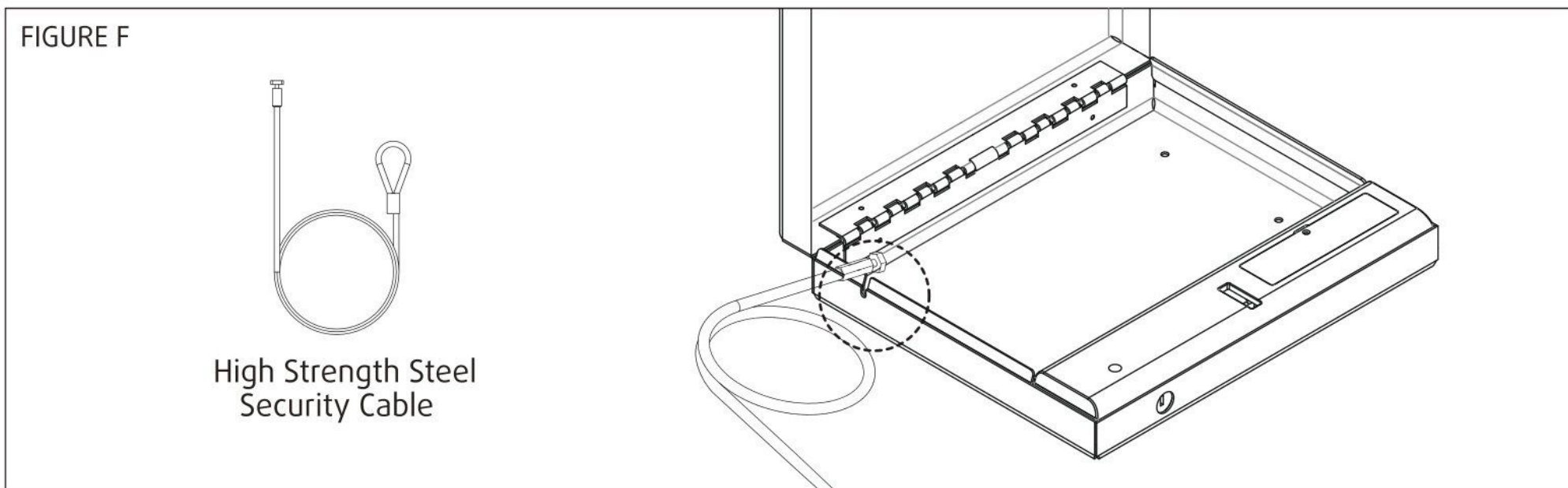
- Use the NEW AAA alkaline battery. Using other batteries may cause unusable conditions.
- When the battery level is low, there will be a problem that the safe cannot be locked. In this situation, simply replace the 4 NEW AAA alkaline batteries and re-enter the password.

Securing Your Safe

Your RPNB® safe can be secured a few different ways. Included is a security cable to attach your safe to larger stationary objects. There are also mounting screws included to mount the safe to a flat surface using the pre-drilled holes on the bottom.

Using the Security Cable

- 1 Loop the security cable around a secured object.
- 2 Run the end of the cable through the eye of the other end and pull tight around the object.
- 3 Place the end of the security cable inside the fully enclosed cable mount inside your RPNB safe as shown in (see Figure F).
- 4 Make sure the safe closes with the cable secured inside the cable mount.



Using the Mounting Screws

TIP: Make sure you have enough clearance for the lid to open properly before mounting the safe.

- 1 Position the safe on a flat surface where you want to mount it.
- 2 Use a pencil to mark the holes for drilling.
- 3 Drill pilot holes.
- 4 Position safe in place and install screws through safe into pilot holes. Tighten screws.

IMPORTANT

Mounting the safe vertically so that the door flips upward will result in incomplete opening of the safe due to weight. The door will open if the safe is mounted vertically so that door opens down or to side.



RP7B®

Dear Customer:
Thank for your business
— BEST WISHES FOR YOU —

RP7B®
