



## Box Contents



- |                                      |                                    |
|--------------------------------------|------------------------------------|
| ① RPNB® Safe                         | ③ Backup Keys (2)                  |
| ② High Strength Steel Security Cable | ④ Owner's Manual/Quick Start Guide |

## Warnings

To prevent damage to your RPNB® unit or injury to yourself or to others, read the following safety precautions before using this unit.

**DO NOT PLACE OR STORE THE BACKUP KEYS INSIDE THE SAFE AT ANY TIME.**

**DO NOT** store loaded guns in this unit. Firearms are serious in nature and must be handled with respect. Store responsibly.

**ALWAYS** check to make sure door has latched when closing; Lid requires a firm press and locks automatically.

## Lock Box Operation

1 To get started, insert one of your backup keys into the keyhole at the front of the safe. Push key in and rotate the key 90 degrees counter-clockwise to open the safe(see Figure A).

2 To close, press the lid down and turn the key clockwise to close.

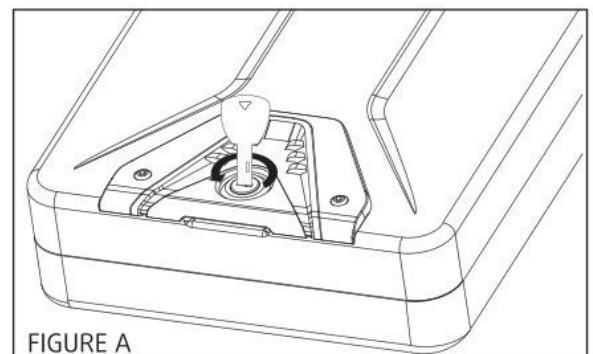


FIGURE A

## Securing Your Safe

### Using the Security Cable

- 1 Loop the security cable around a secured object.
- 2 Run the end of the cable through the eye of the other end and pull tight around the object.
- 3 Place the end of the security cable inside the fully enclosed cable mount inside your RPNB safe as shown in (see Figure B).
- 4 Make sure the safe closes with the cable secured inside the cable mount.

