

SPORTS AFIELD®

E s t a b l i s h e d 1 8 8 7

PRESERVE SERIES | INSTRUCTION MANUAL



P R E S E R V E

IMPORTANT:

Please read this information and follow all safety rules carefully before operating your gun safe. Failure to do so will void your warranty.

WARNING



Tip Over Hazard

A child or adult can tip the safe and be killed or seriously injured.
Failure to secure the safe as shown in these instructions can result in death or serious injury to children and adults.
Children should not play with or around the safe at any time.

THIS MANUAL SERVICES THE FOLLOWING STYLE NUMBERS

SA5520P, SA5924P, SA5924PG, SA5932P, SA5932PG, SA5940P & SA7240P

DISCLAIMER - READ BEFORE SAFE SETUP

PLEASE READ THIS INFORMATION CAREFULLY BEFORE OPERATING YOUR SPORTS AFIELD SAFE.

DO NOT LOCK THIS MANUAL OR THE OVERRIDE ACCESS KEYS IN YOUR SAFE.

- Thank you for choosing a Sports Afield Safe to protect your valuables. We are committed to securing, organizing and protecting your most important documents, valuables and keepsakes.
- Your safe is built to last a lifetime. However, please understand that the locking mechanism has precision parts. If you experience ANY difficulty opening or closing your safe, **DO NOT FORCE THE SAFE OPEN**. Doing so may jam the components in the lock, which will require a safe technician to unlock your safe. This causes an inconvenience to you and may lead to a claim denial.
- If you experience problems or challenges with your safe, please contact us. Many issues can be quickly resolved without the product being returned.

Safes & More Customer Service - 888-717-4819

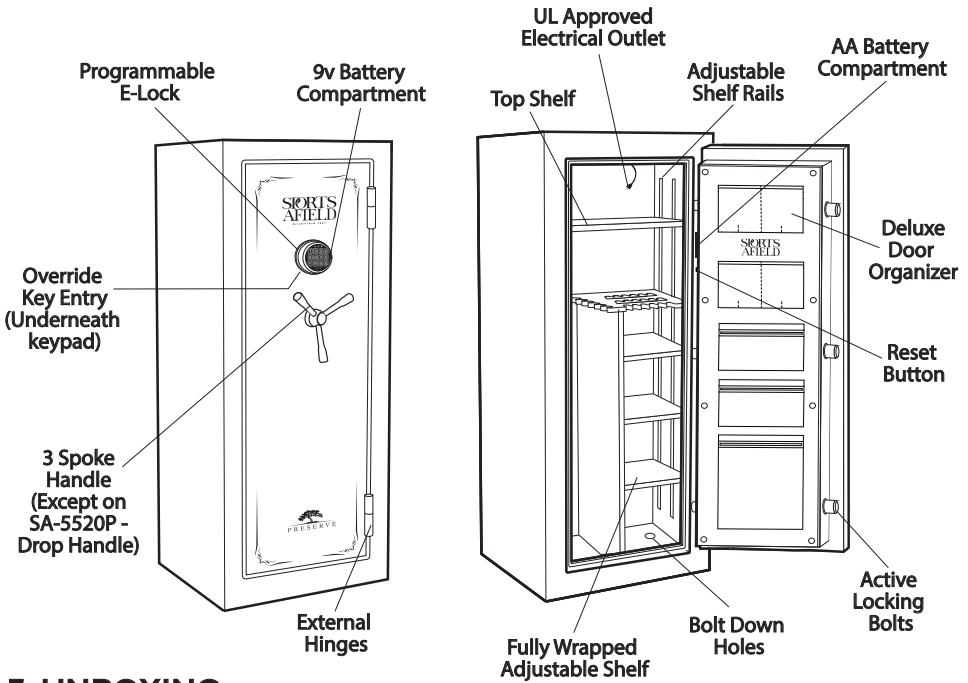
SAFETY

- Safe bodies and doors are extremely heavy thus SA Consumer Products Requires a minimum of two people to insure stability of the safe during installation. Always ensure proper installation, as laid out in this manual, and do not open the door with the safe on an uneven or unstable floor. Ignoring this could result in serious injury or death.
- Keep a record of your combination number in a secure place, away from children, and separate from your safe. You will need this information along with your proof of purchase to obtain technical assistance and replacement keys.

WEAPON STORAGE

- If you choose to utilize this safe to store a weapon always follow proper weapon and local laws when storing a weapon.
- SA Consumer Products strongly recommends that you do not store loaded guns.
- Always follow the firearm safety rules set out by the firearm's manufacturer.
- A Sports Afield Safe or any other firearm storage device cannot take the place of other safety procedures including advising children of the dangers of firearms.
- SA Consumer Products and its distributors of the Sports Afield Safes do not recommend, suggest, advise, promote, or otherwise condone the ownership or use of firearms. We believe the decision to own or use a firearm is a serious decision that should only be made by an adult who has carefully considered the risks and benefits of such a decision.

2. UNDERSTANDING YOUR SAFE



3. UNBOXING

WARNING: SAFES ARE HEAVY AND CAN BE UNSTABLE ON UNEVEN GROUND. PLEASE ENSURE EXTRA CAUTION WHEN DEALING WITH OR MOVING UNSECURED SAFES. WHILE UNBOXING BE SURE TO HAVE A SECOND PERSON HOLD AND STABILIZE THE SAFE TO KEEP IT FROM TIPPING, CAUSING INJURY, AND/OR DAMAGE TO THE SAFE AND SURROUNDING STRUCTURES.

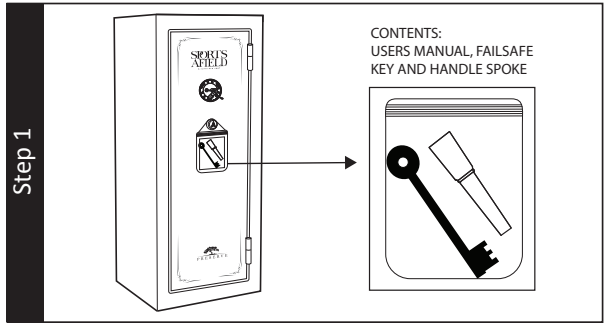
- Remove the packaging. If your safe is still on shipping feet you can simply lift the box up and off the safe once the strapping has been removed. If your safe does not have shipping feet you will need to carefully remove the box, ensuring not to damage the safe and/or injure yourself. You will want to have someone stabilize the safe when removing the cardboard and other packing material from underneath the safe.

4. INSPECTION

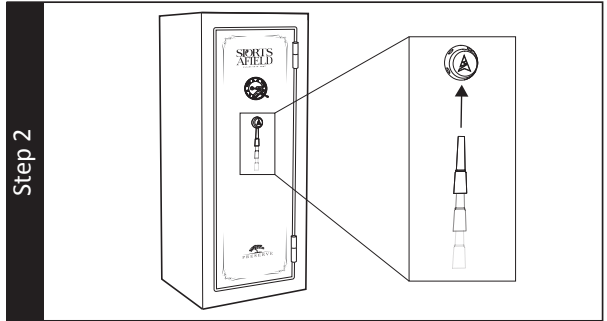
- Make sure to inspect your safe for shipping damage before accepting delivery. If you find any damage, please contact the delivery company (or carrier) immediately.
- Any damage not noted upon delivery must be reported within fifteen (15) days or there will be no recourse. Any noted damage at the time of delivery must be resolved with the delivery company and/or retailer. Shipping damage is not warrantable by SA Consumer Products.

5. OPENING YOUR SAFE

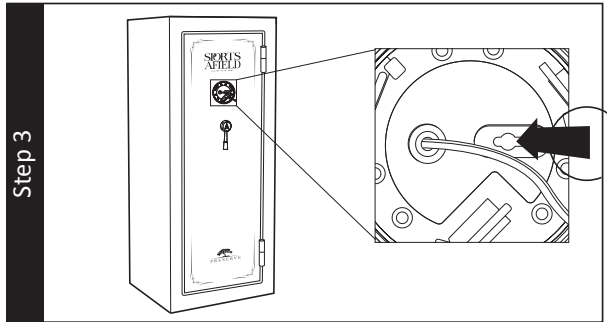
1. Locate the override keys and single handle spoke inside the plastic bag hanging on the front of the safe.



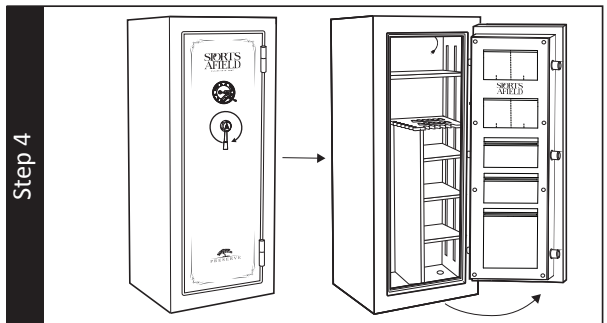
2. Install the single handle spoke handle by inserting into one of the threaded openings and twisting clockwise until you feel the spoke fully lock into place.



3. Locate the keyhole in the backer plate. Insert and turn the override key clockwise from 9 to the 1 o'clock position to unlock.



4. Turn the handle clockwise (counter-clockwise for SA-5520P) until the safe door opens. Once open, turn the handle back to its starting position so the bolts are open and extended. Remove key.



6. PROPER PLACEMENT AND MOVING OF SAFE

WARNING: SAFES ARE VERY HEAVY AND AWKWARD TO HANDLE. PLEASE USE THE UTMOST CARE IN MOVING THE SAFE. UTILIZING A TRAINED PROFESSIONAL WITH PROPER MOVING EQUIPMENT IS HIGHLY RECOMMENDED.

The location of the gun safe is very important and the utmost care should be taken during this consideration.

1. To maximize the fire protection of your safe, we recommend you place the safe in lower levels in your home where fire temperatures are lower and away from highly combustible materials.
2. To maximize burglary protection and stability, securing the safe to the floor is recommended.
3. SA Consumer Products recommends that you store your safe in a closet, office, basement, bedroom or any other location that is convenient for you but out of direct line of sight from prying eyes. The location of the gun safe is very important.

Using a dolly capable of supporting the size and weight of your safe, move the safe to your desired location. Please take all necessary precautions to protect and prevent any damage to your flooring.

HELPFUL: TO DETERMINE WHETHER YOUR SAFE WILL MAKE IT THROUGH DOORWAYS, STAIRS, OR CORNERS, TAKE THE EMPTY SAFE BOX AND SEE IF IT WILL FIT ALL THE WAY THROUGH TO ITS FINAL LOCATION.

1. The safe should be installed adjacent to a side wall with minimal space on either side of the safe. Wherever possible, the safe should be flat against the wall and floor. Remove the baseboard and/or wall trim if necessary.
2. Always ensure the safe is in an isolated and dry area. Never place the safe in direct contact with a wet floor. When installing your safe on a concrete floor, use of a moisture/protective barrier is highly recommended. Failure to do so, or exposing the safe to chemicals or other adverse environments, may void the warranty.
3. If your safe seems unlevel, you may need to shim the bottom of the safe to prevent the door from swinging open too quickly, or closing on itself.

7. KEEPING YOUR SAFE DRY

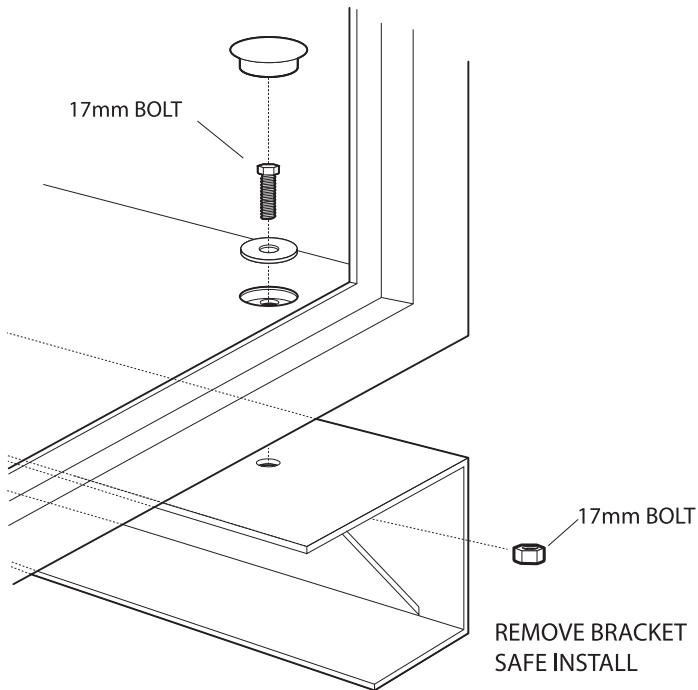
We recommend placing a moisture/protective barrier between your safe and concrete floor to prevent any moisture, mildew and rust damage the safe. Installing your safe in a place with climate control (heat in the winter and cooling in the summer) is highly recommended. In areas of high humidity or frequent temperature fluctuations (garages) it is recommend to take appropriate precautions to ward against moisture damage. We strongly encourage the use of an internal dehumidifier and/or desiccants to protect your contents from rust or mildew. Internal dehumidifiers should not be in direct contact with the side or back walls.

8. SHIPPING AND SKID REMOVAL

WARNING: WHILE REMOVING THE BOLTS FROM THE SKIDS, BE SURE TO HAVE A PERSON HOLD AND STABILIZE THE SAFE TO KEEP IT FROM TIPPING, CAUSING INJURY, AND/OR DAMAGE TO THE SAFE AND SURROUNDING STRUCTURES.

WARNING: BEFORE REMOVING THE SHIPPING SKIDS, MAKE SURE THE DOOR IS CLOSED AND LOCKED. THE DOOR OF YOUR SAFE IS HEAVY AND PRESENTS A SAFETY HAZARD UNTIL THE SAFE IS BOLTED DOWN OR SECURED PROPERLY.

1. Upon receiving your safe, you may find it attached to a shipping skid. The skid is secured from the underside of the safe by four bolts. Remove the four bolts that secure the safe to the skids using a wrench or 11/16" (17mm) socket.
2. With a person stabilizing the safe, carefully tilt the safe to the left and pull the shipping skid on the right side away from the bottom of the safe.
3. With the shipping skid removed from one side of the safe, carefully lower the safe to the floor.
4. Follow the same procedure to remove the remaining shipping skid.

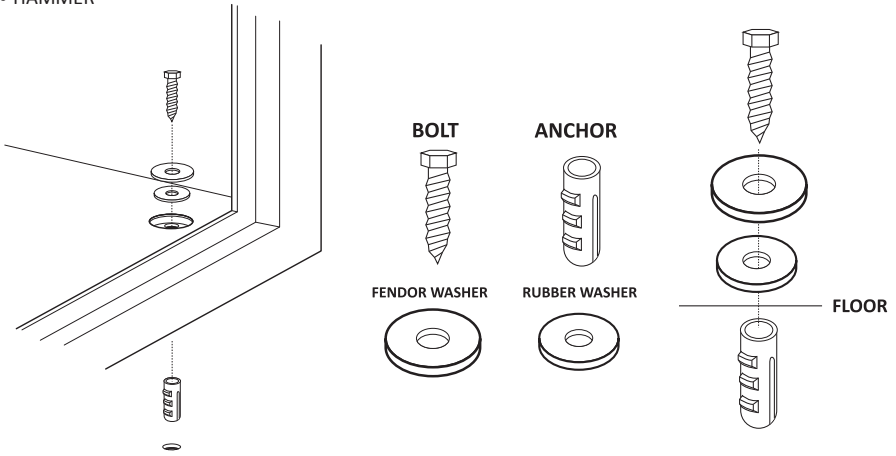


9. SECURING YOUR SAFE

WARNING: YOUR SAFE IS DESIGNED TO SUPPORT ITSELF WHEN THE DOOR IS OPENED. HOWEVER, CAUTION SHOULD BE USED TO AVOID TIPPING. WHILE SECURING YOUR SAFE BE SURE TO HAVE A SECOND PERSON HOLD AND STABILIZE THE SAFE TO KEEP IT FROM TIPPING, CAUSING INJURY, AND/OR DAMAGE TO THE SAFE AND SURROUNDING STRUCTURES. FAILURE TO DO SO WILL COMPROMISE THE SAFETY, SECURITY, AND WARRANTY OF THE SAFE.

TOOLS NEEDED TO BOLT SAFE TO A CONCRETE SURFACE

- DRILL / HAMMER DRILL
- DRILL BIT – 1/2" (for installing into concrete with provided hardware)
- WRENCH / 11/16" (17MM) SOCKET
- HAMMER

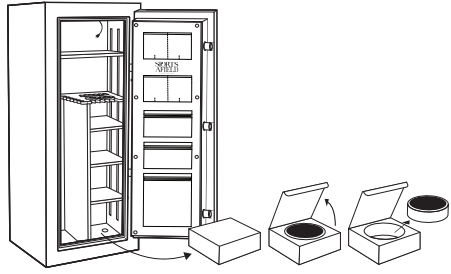


1. Use the hardware provided or consult your hardware retailer for fastening hardware for your particular mounting surface.
2. Open your safe door and locate and remove the four black caps on the safe floor. This will provide access to the factory drilled bolt down holes.
3. To secure your safe to the floor it will first be necessary to drill pilot holes in the floor surface.
4. Drill the appropriate diameter and depth of pilot holes based on the type of hardware being used and the type of floor surface. For the hardware provided (concrete floor installation) we recommend using a hammer drill and 1/2" concrete drill bit to drill holes the four corresponding in the concrete floor.
5. Insert and drive the plastic anchoring plugs into the pilot holes. You may need to use a hammer to fully insert the plugs into the pilot holes.
6. Secure the safe, by threading all 4 anchor bolts through the factory drilled bolt down holes in the bottom of the safe and ratcheting down tight.
 - Make sure the metal washer sits on top of the rubber washer. Tighten the bolt to compress the rubber washer between the safe and metal washer. Failure to do so will allow water to enter the safe in the event of a flood.
7. Replace the four black caps onto the floor of the safe.

10. E-LOCK INSTALLATION

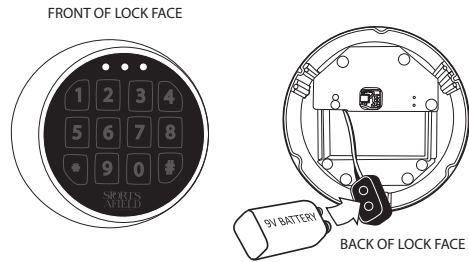
1. Remove lock face from box located inside of safe.

Step 1



2. The e-lock requires 1x9V alkaline battery. Locate the battery compartment on the back of the lock face. Insert the battery in the proper orientation. Keypad will beep when batteries are successfully installed.

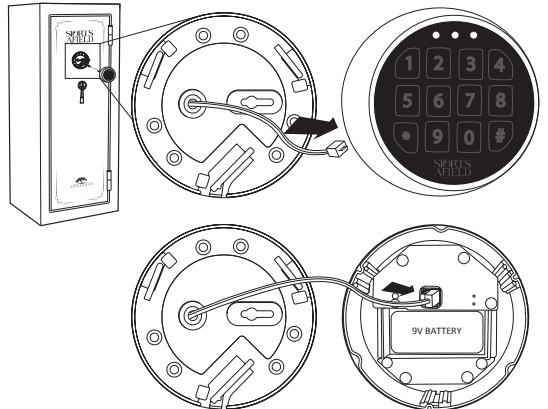
Step 2



WARNING: The batteries must be inserted with the correct polarity. Exhausted batteries must be removed from the product and discarded safely. Do not mix old and new batteries. Do not mix alkaline or standard (carbon – zinc) batteries. Do not use rechargeable (nickel – cadmium) batteries.

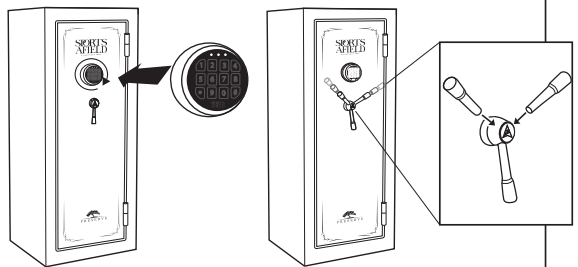
3. Plug E-lock cable into the back of the E-lock. The cable connector will only fit one way into the connector in the lock face.

Step 3



4. Align the lock face to the backer plate, with the lock face slightly rotated to the left. Turn clockwise until the E-lock clicks into place. Locate the two remaining handle spokes inside of the safe. Insert each individual spoke into a threaded opening and turn clockwise to install.

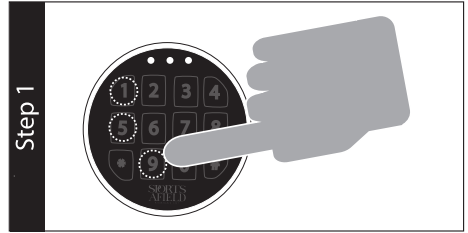
Step 4



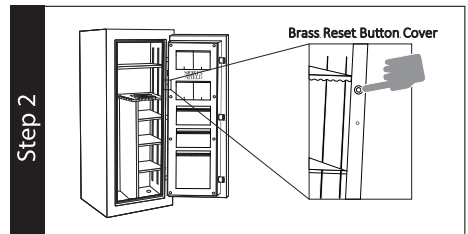
11. SECURITY CODE SETUP FOR NON ILLUMINATED E-LOCKS

Important: It is necessary to re-program your safe with a new security code you have personally selected to provide maximum household security. Be careful, in choosing your new security code, you'll want to be sure that you can operate the unit quickly without making an error.

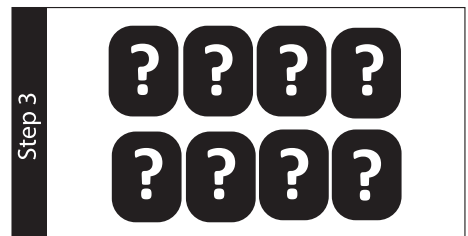
1. Key in the preset factory code [1 5 9 #]. The right light will turn green. Turn the handle to ensure bolts are activated. Once confirmed return handle to starting position to lock bolts out.



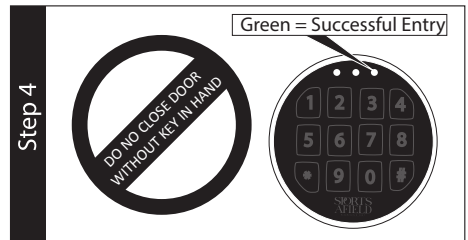
2. On the inside of the safe door, locate the small brass cap. Unscrew and remove the cap, you will now see the reset button. Press and release the reset button you will hear a beep. The yellow (left) light on the E-lock will illuminate so that you can enter your new code.



3. Enter your new 3 to 8 digit security code while the yellow (left LED) light is illuminated followed by the [*] symbol. Keypad will beep twice after pressing the [*] symbol. Reenter new code, now followed by the [#] symbol. The keypad will flash yellow (left LED), beep twice, then flash green (right LED).



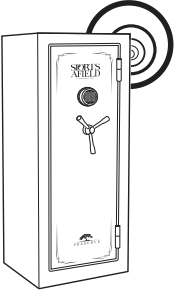
4. While the safe door is still open, confirm your newly entered security code. Confirm code by entering the 3-8 digit code followed by the [#]. If successful you will hear two beeps and the green light will illuminate, allowing you to retract the bolts.



Note: Do not shut the safe door until you have confirmed your new security code at least 3 times to ensure your code has been saved and you can open the door successfully. If the code fails, the yellow (left) light will flash and beep. Repeat the steps above until successful.

Warning: If the incorrect security code is entered 3 times you will have an automatic lockout for 20 seconds before you can enter your code again. If 3 additional failed attempts are made, the keypad will lockout for 10 minutes. Leave batteries in to go through lockout cycle. If batteries are removed the timer will restart zero.

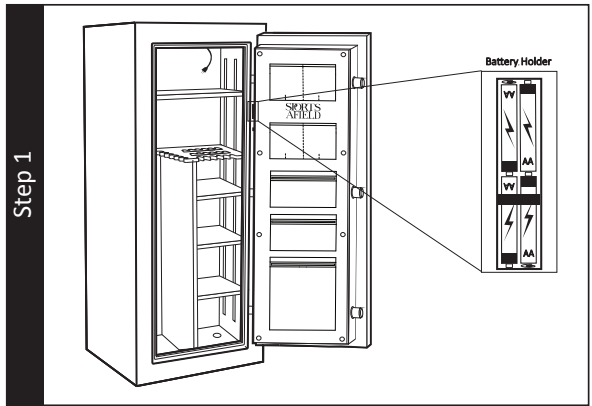
12. ANTI-THEFT ALERT SYSTEM



- You are receiving the safe with the theft alarm system fully activated. If the safe is tampered with, or the keypad receives too many incorrect attempts at entry, the alarm will sound.
- To immediately stop the alarm from sounding, you must first gain access to your safe. Enter your security code which will automatically silence the alarm or use your manual override key to gain access to the safe and remove the alarm batteries located on the interior of the door.

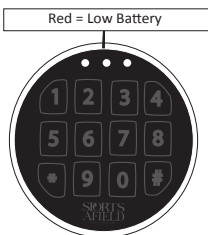
1. To deactivate the alarm function press (*99) on the keypad.
2. To reactivate the alarm functions if deactivated, press (*00) on the keypad.
3. The alarm requires 4 x AA alkaline batteries. Locate the battery compartment on the inside of the door panel. Insert the batteries in the proper orientation and order. Keypad will beep when batteries are successfully installed. Replace battery cover.

WARNING: The batteries must be inserted with the correct polarity. Exhausted batteries must be removed from the product and discarded safely. Do not mix old and new batteries. Do not mix alkaline or standard (carbon – zinc) batteries. Do not use rechargeable (nickel – cadmium) batteries.



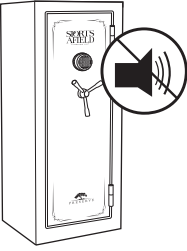
The alarm system also comes with a lockout timer to prevent unauthorized entry. 3 consecutive incorrect entries will cause your keypad to enter basic lockout mode, locking the keypad for 30 seconds paired with a 30 second alarm. 6 incorrect consecutive entries will cause the keypad to enter severe lockout mode, meaning the keypad will remain locked out for 5 minutes as well as a sounding alarm for the duration.

13. LOW BATTERY WARNING



- This E-Lock is equipped to alert you when the batteries are low by illuminating the red light (center) when any button is pressed on the keypad. Please replace batteries immediately when receiving this warning.
- Always test the batteries when installing or replacing. If the red light comes on when a button is pressed you know the batteries are not fully charged.

14. E-LOCK QUIET MODE



- By activating the E-lock quiet mode, the safe will no longer make audible sound when interacting with safe, allowing for silent access.

1. To mute the E-Lock, enter the code [* 6 3 3].
2. To turn the sound back on, enter code [* 6 6].

15. LOCKED OUT OF YOUR SAFE

In the event you have forgotten the security code your primary action will be to use your backup keys in order to gain access to your safe and follow the E-Lock Security Setup Code instructions, starting at step 2 of activating the brass reset button.

If you have lost your backup keys, you will need to contact customer service at the number below. Proof of purchase is required to obtain keys.

Safes & More Customer Service - 888-717-4819

16. LOADING YOUR SAFE

1. Store documents or heat sensitive items in the bottom of the safe for greatest protection against fire damage.
2. Store ammunition separately from valuables.
3. Do not put anything in your safe that will put pressure against the door when it is closed.
4. Select safe models have reinforced shelving, but as a good safety precaution store heavier items either on the floor of the safe, or away from the middle of the shelves.
5. When loading guns into your safe, make sure they rest securely against the cutouts provided in the gun racks to prevent accidental tipping when the door is closed.

17. MAINTAINING HINGES AND INTERNAL MECHANISMS

The hinges and internal locking mechanism are permanently lubricated, thus needing no maintenance. Opening the door panel of your safe may void your warranty. Always consult our customer service experts prior to doing so.

Distributed by:

S&M DON'T LOOK ANY FURTHER
SAFES_{AND}MORE

SAFESandMORE.com

Text or Call: 888-717-4819

support@safesandmore.com