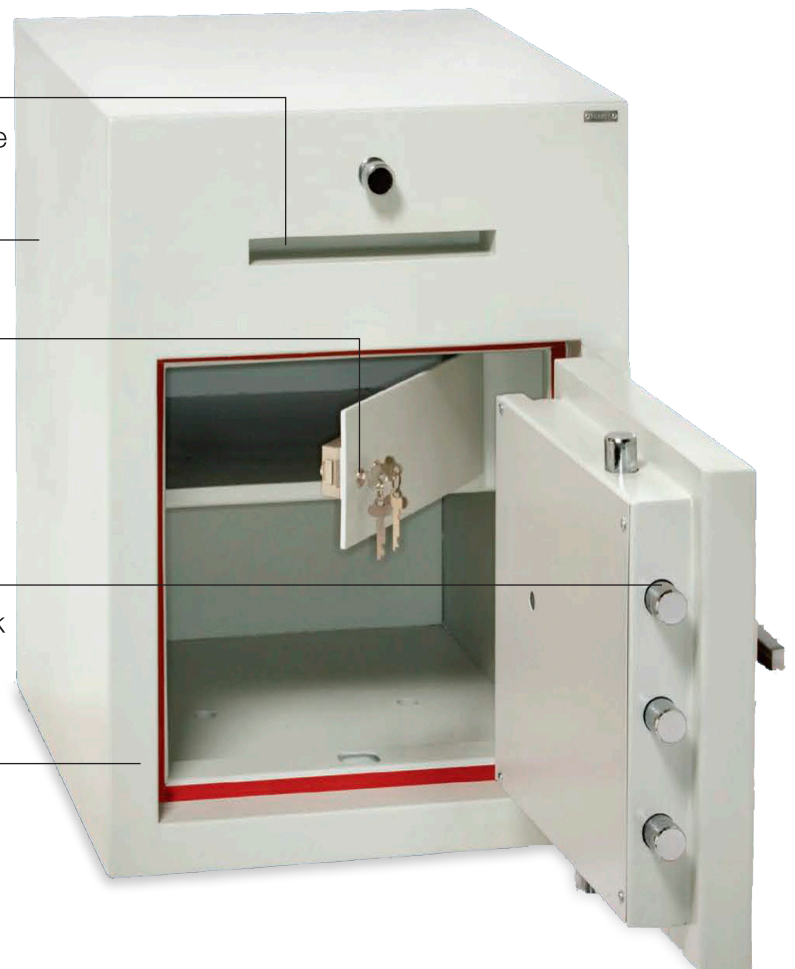


INTERNATIONAL EUROVAULT EVRH

*Superior Depository Storage for
Daily Cash Management*

- **Activated Depository Slot**
Inside compartment provides temporary storage for excess cash throughout the day
- **High Security Construction**
Using high density aggregate compound
- **Inside Key Lock**
Dual nose high security key lock on inside compartment
- **Auto firing passive relocker**
Protects locks during forced entry attempt
- **3-Way Boltwork**
Massive 1 1/4" chrome-plated bolts with auto-lock bolt detent keeps bolts extended when door is closed & retracted when door is open
- **Door and Body**
2" thick barrier walls and door slab
- **1-Hour Fire Protection**
Rated at 1500°



RETAIL



FINANCIAL



AMUSEMENT



HOSPITALITY



GAMING



RESTAURANTS



JEWELRY



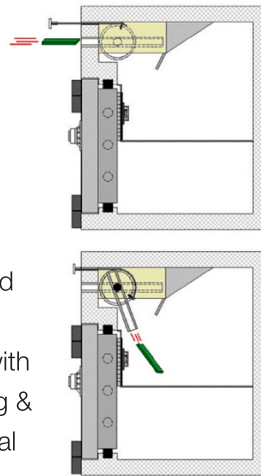
CANNABIS



INTERNATIONAL EUROVAULT EVRH



- Fascia Panel**
 High tensile strength hardplate made of drill resistant, polished stainless steel
- U.L. Listed Lock**
 All safes come standard with U.L. Listed Group IIM combination lock with satin finish dial, dial ring & handle. Electronic digital lock optional



Activated Depository Slot
 Accumulated cash can be transferred through a tamperproof slot into a secured inner compartment as a deterrent to armed robbery and internal theft. The EVRH offers excellent burglary and fire resistant protection by providing a temporary storage for excess cash throughout the day.

Specifications

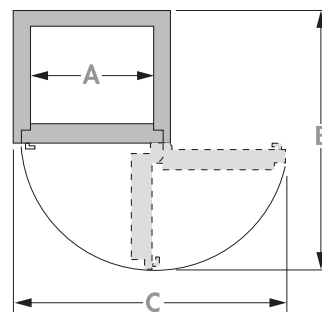
Model	Interior H x W x D (in)	Exterior H x W x D (in)	Weight (lbs)	Capacity (cu ft)	Shelves
EVRH	24 x 17 x 17	28 x 21 x 23½	625	4.2	0

Add 2" to exterior depth for hinge & handle projection.

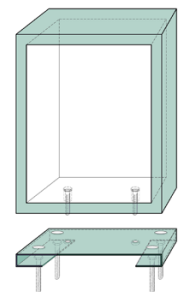
Door Swing Dimensions

Model	Dimensions (in)		
	A	B	C
EVRH	17	42½	38¾

Door Swing Projections



Security Installation Platform



Each International Eurovault EVRH Safe comes equipped with our exclusive Security Installation Platform (SIP), an innovation that ensures accurate and secure installation.



Optional Electronic Locks

Electronic digital pushbutton locks with operational features such as programmable combinations, multiple user interface, time delay, and auditing are available

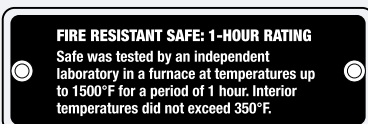
and can be configured with electronic lock devices from LaGard, Kaba Mas, Sargent & Greenleaf, or Millennium Globaloks.

Distributed by:

S&M DON'T LOOK ANY FURTHER
SAFES AND MORE

SAFESandMORE.com

Text or Call: 888-717-4819
support@safesandmore.com



All specifications are approximate and subject to change without notice.

©2019 Socal Safe Company. All Rights Reserved 2019-07-08_V02