

Orbita Lithium Thionyl Chloride Batteries

5-year battery life

All battery operated CAROLO winders are fitted with high-energy, factory installed, batteries that provide approximately 5-years of battery life. In addition, each CAROLO winder carries an iron-clad 2-year product guarantee.

Replacement

When the time comes to replace the batteries in your CAROLO winder, you may purchase replacements directly from us (PN2109). You may also purchase locally if available. If you do, be sure the battery specifics match. 3.6 Volts, 19,000 mAh, (ER34615).

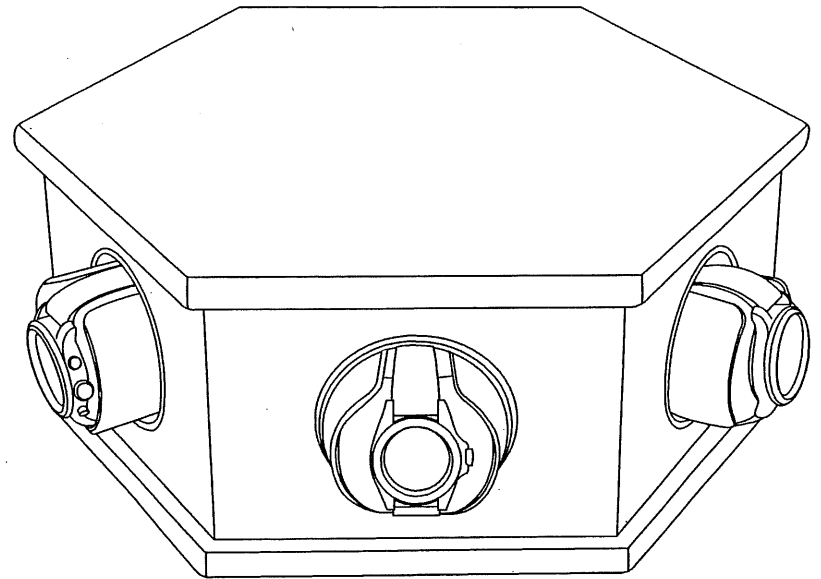
Mounting Watch on Cushion

1. With the bracelet or strap of the watch closed, squeeze and slide the cushion through the watch. The back of the watch should rest against the Orbita logo and the strap should lie on the flat portion of the cushion.



ORBITA[®]
WATCHWINDERS

ORBITA[®]
WATCHWINDERS



CAROLO

INSTRUCTION GUIDE

Carole 6 Stackable

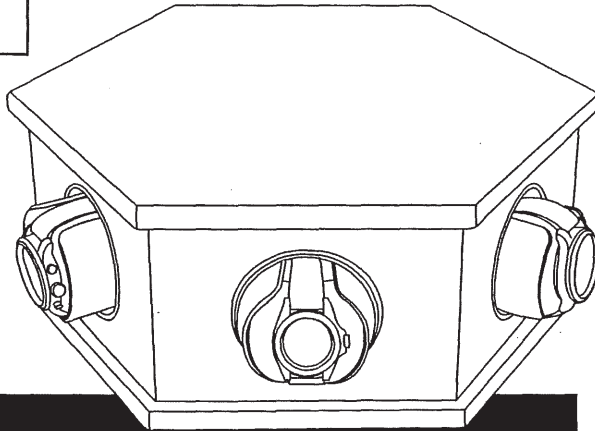
Congratulations!

The Carola user guide will help take you through the initial set up and programming of your new watchwinder. Your Carola is factory-fitted with 6 ORBITA LithiumThionyl Chloride "D" cell batteries, one for each head which provides a minimum of 5 years operating life at the normal 12-minute winding cycle which is what most watches require. Each station can be turned on or off individually. This switch can be found inside the round housing behind the cup and cushion that hold your watch.

On/Off Switch (o/-)-,

Included In This Box

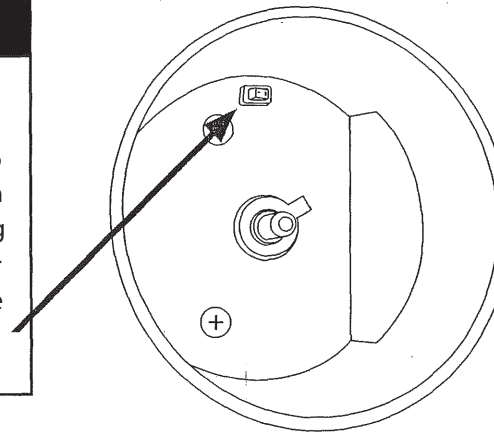
1. Carola 6 Watchwinder
2. Cup Assembly (6)
3. Standard Cushion (6)
4. Lithium Batteries (6)
5. Warranty Registration
6. Instruction Book



Getting Started

Turning Power On

1. Carefully unwrap the protective packaging.
2. Remove protective foam under top panel.
3. Select 8 or 12 minute setting. (Details on Next Page)
4. Replace top panel.
5. Turn the power on using the individual power switches inside the cup housing. (o/-).
6. Mount watch on cushion and slide cushion into cup.
7. Slide the cup on to the drive shaft.

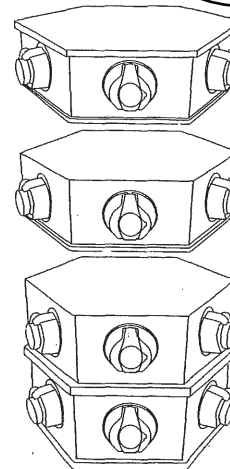
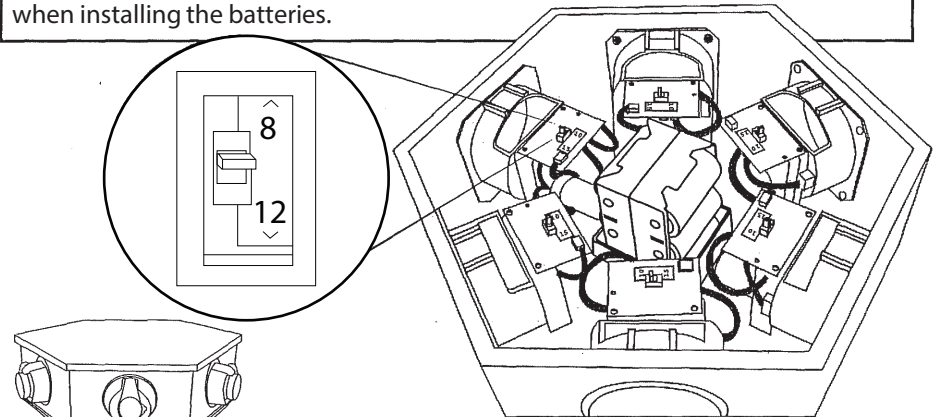


10/15 Minute Switch

A program switch located under the top panel allows you to select one of two winding cycles: 8 minute (factory preset) or 12 minute (standard). The winding cycle begins every 8 or 12 minutes based on the program selected. Many watches that wind in both directions stay fully wound on the extended setting. To select the extended program, remove the top cover to reveal the program switches. Slide the switch to the 12 minute setting.

Battery Removal

To access the Lithium batteries, remove the top cover of the Carola. You will see the battery pack in the center of the winder. Simply lift the battery pack out and remove the batteries as needed. Pay close attention to the battery polarity when installing the batteries.



Stack them!

The Carola is stackable! If 6 winding heads are not enough, you can simply purchase our Carola stack on unit designed to be used with the base level Carola. Remove the top cover of the base unit, place the stackable unit on top and replace the top cover. You can stack up to 3 additional levels on your base Carola for winding a total of 24 watches!