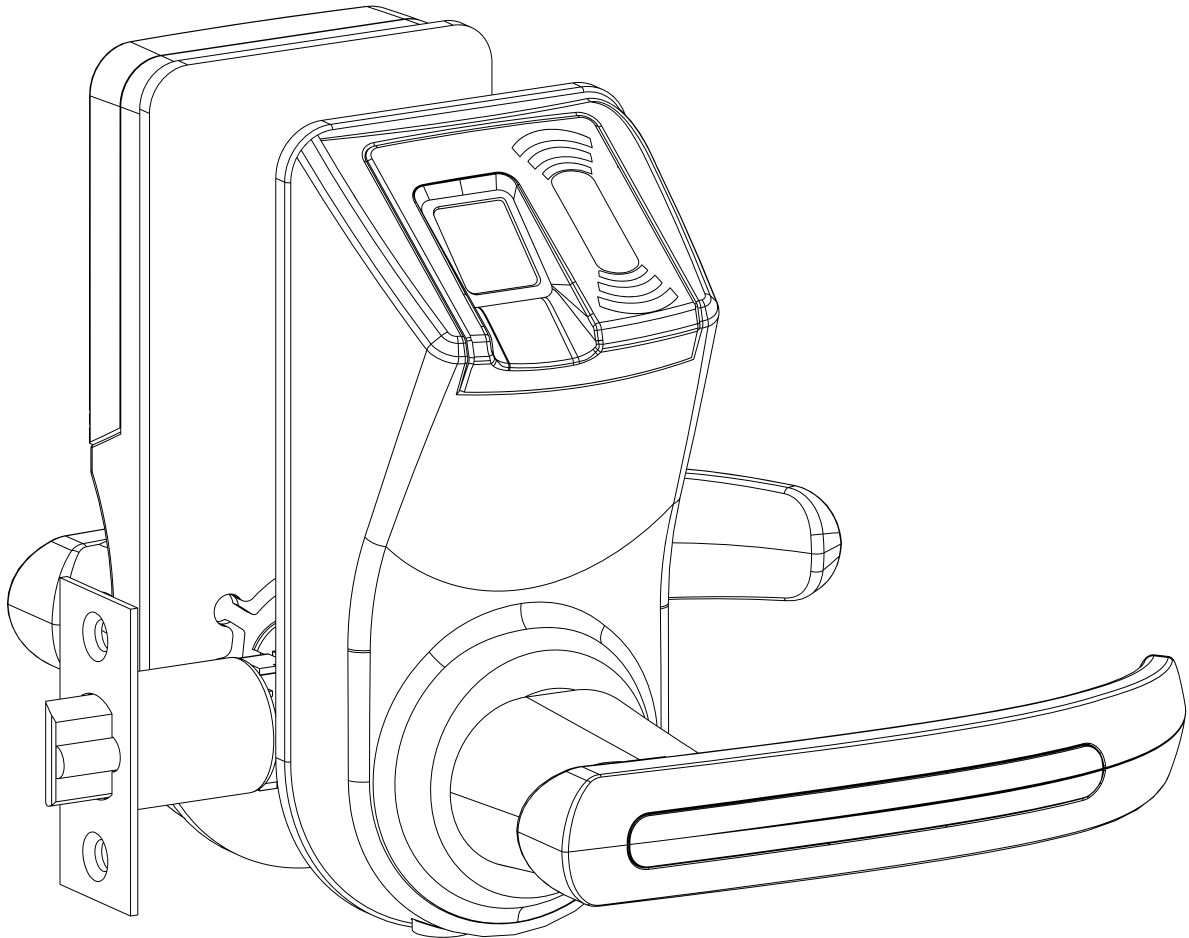




www.barska.com

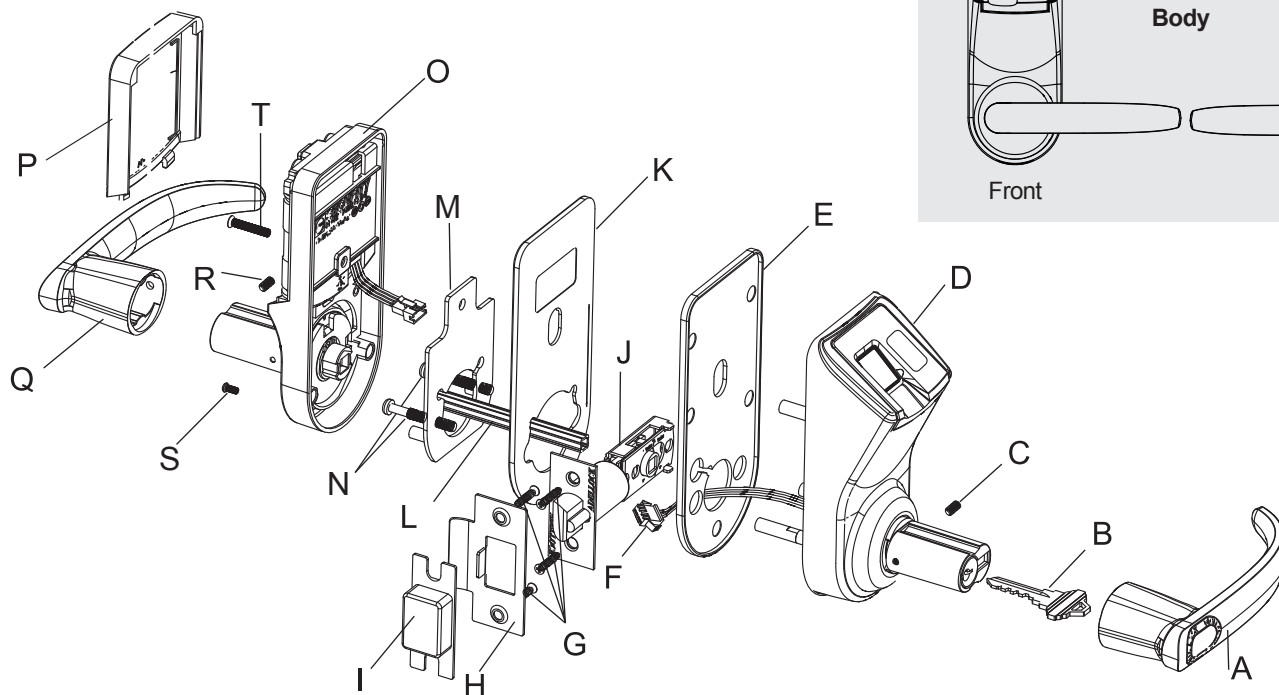


## BIOMETRIC & RFID SECURITY DOOR LOCK

The perfect security solution to almost any home or office. Ideal for indoor, residential, and commercial use to replace traditional door access methods. Unique admin cards enroll or eliminate up to 35 user cards and up to 30 fingerprints. When the room must be accessed, simply wave the approved user card on the door lock or scan an approved finger against the biometric sensor to unlock and provide immediate access to the room. Includes a key for traditional door lock access.

# Installation Instructions

## Diagram of lock



- |  |   |   |
|--|---|---|
| A. Front lever handle                                  | J. Latch                                  | Q. Back lever handle  |
| B. Mechanical key                                      | K. Back lock body gasket                  | R. Hexagonal screws for fixing the back handle  |
| C. Hexagonal screws for fixing the front handle (M4*7) | L. Spindle                                | S. M4*10 screw  |
| D. Front lock body                                     | M. Back plate                             | T. 3 different set of screws are provided   |
| E. Front lock body gasket                              | N. 3 different set of screws are provided | M5*20, M5*30 and M5*30, the screws are used to fix the position of the inner metal plate. |
| F. Wire connector                                      | O. Back lock body                         |   |
| G. Screw   | P. Battery cover                          |   |
| H. Strike plate  |   |   |
| I. Strike box  |   |   |

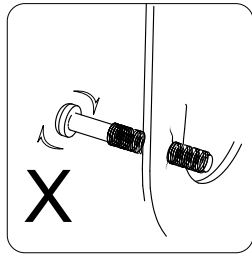
### The checklist of spare parts

Diagram code	Quantity	Size (in/mm)	Appropriate for door thickness (in/mm)
C	1	(M4*7)	—
R	1	(M4*7)	—
S	2	(M4*10)	1-3/16" - 2-3/8" (30mm - 60mm)
N	2	(M5*20)	1-3/16" - 1-9/16" (30mm - 40mm)
		(M5*30)	1-9/16" - 1-31/32" (40mm - 50mm)
T	1	(M5*40)	1-31/32" - 2-3/8" (50mm - 60mm)

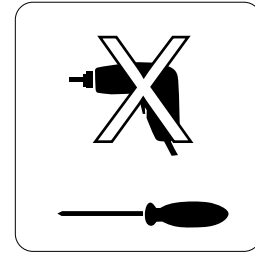
Note: N/T please use the appropriate screw set based on your own door thickness.

## Before Installation

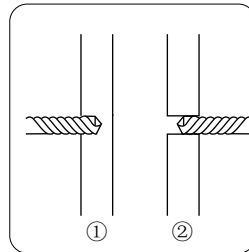
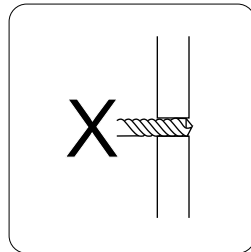
1. To ensure a successful installation, do not use power tools to tighten the screws to avoid damage on the screw.



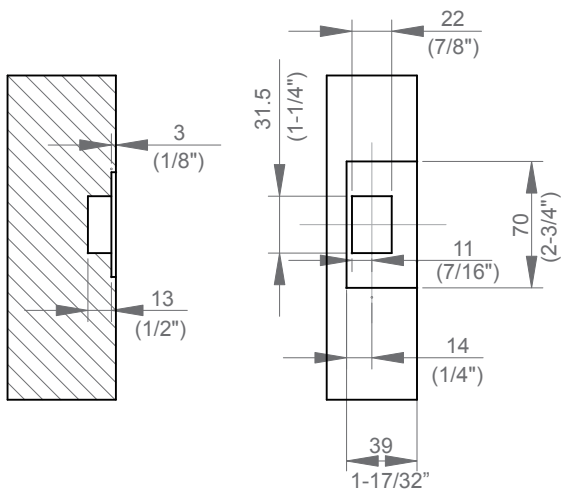
2. Use the correct fixed-screw tools and wear eye protection.



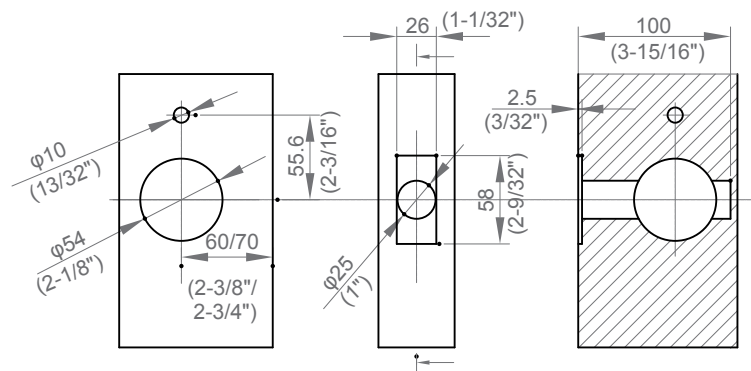
3. In order to prevent any unnecessary damage to the door, please drill the holes from both sides of the door separately.



## 1 Door-Drilling mm/in



Door Frame Preparation

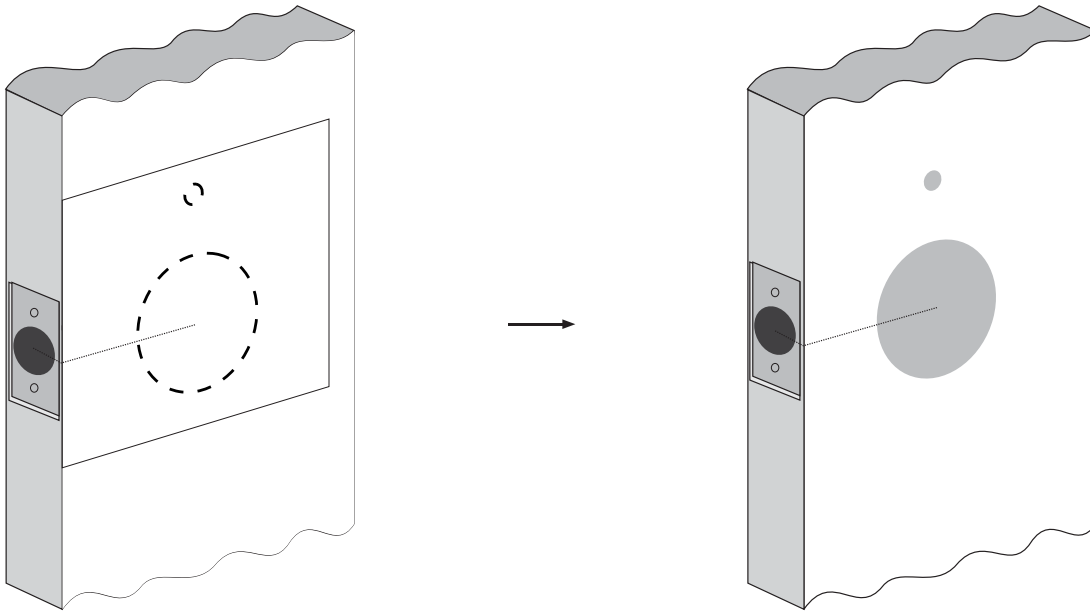


Door-Drilling Diagram

## New Door Preparation

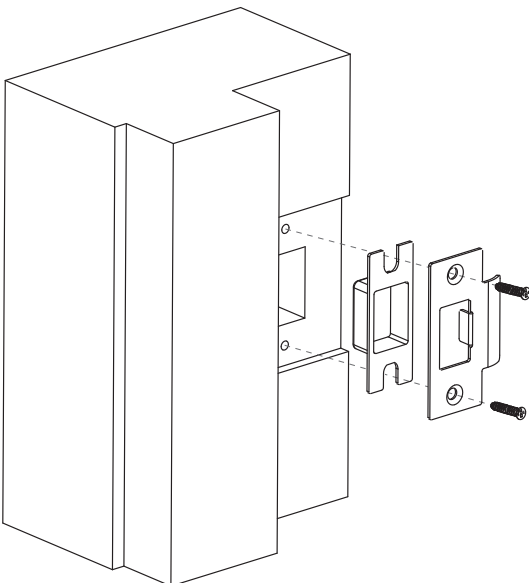
Note: Drill from both sides of the door to prevent unsightly damage.

1. Place paper template (last page) onto door and mark for holes.  
Next drill the hole.

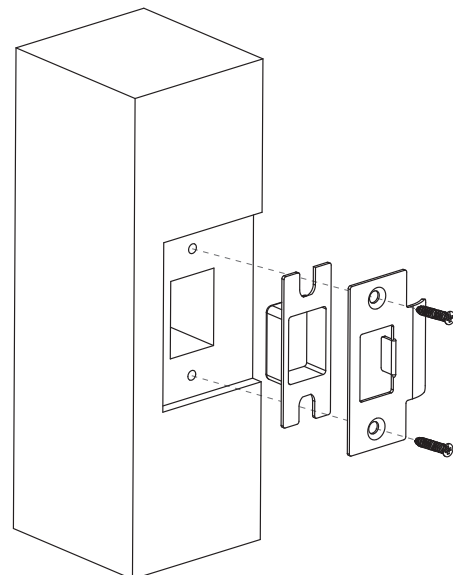


## 2 Installing the strike plate

1. Mark location of strike on the door frame, making certain that the strike opening is aligned with latch bolt.



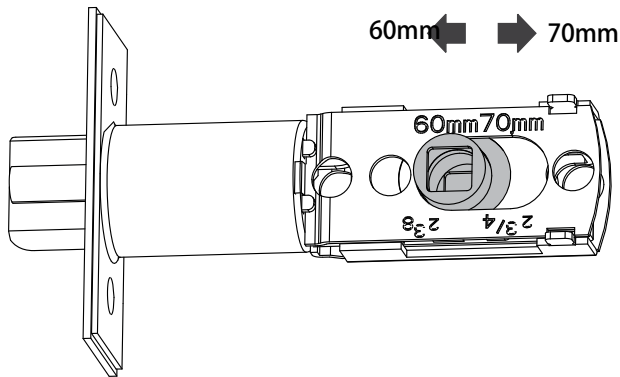
Type T-door Installation Diagram



General Door Installation Diagram

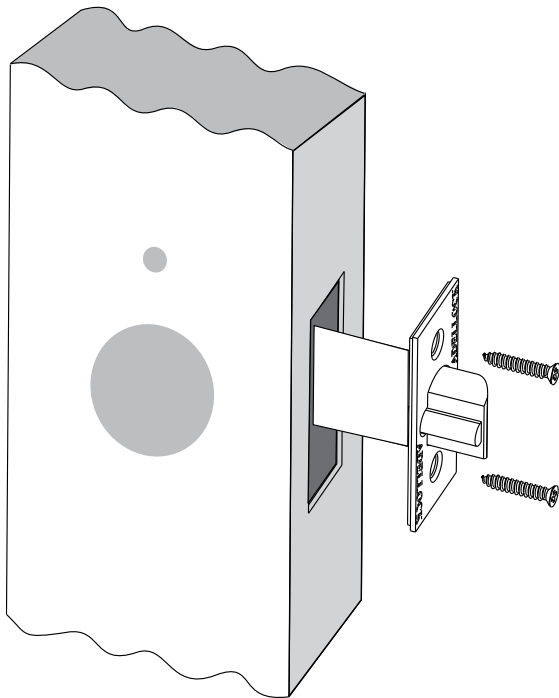
### 3 Installing Latch

- ① 2 3/8" [60mm] backset or 2 3/4" [70 mm] backset

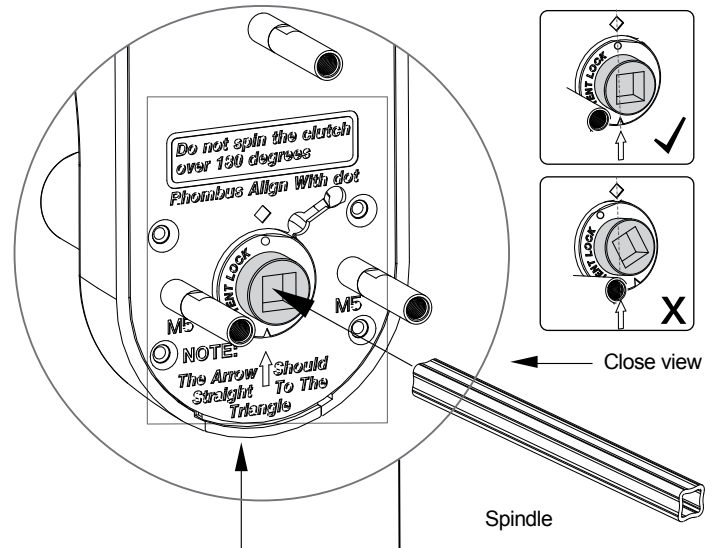


The latch has two backsets available: 2 3/8" [60mm] backset or 2 3/4" [70 mm] backset

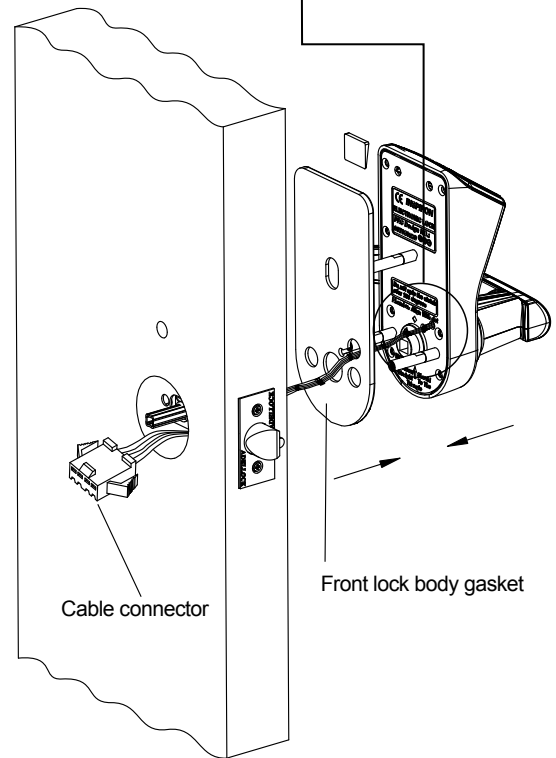
- ② Secure the latch to the door using two wood screws supplied. Latch unit face plate must be flush with door.



### 4 Installing spindle, and front lock body

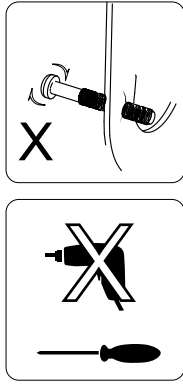
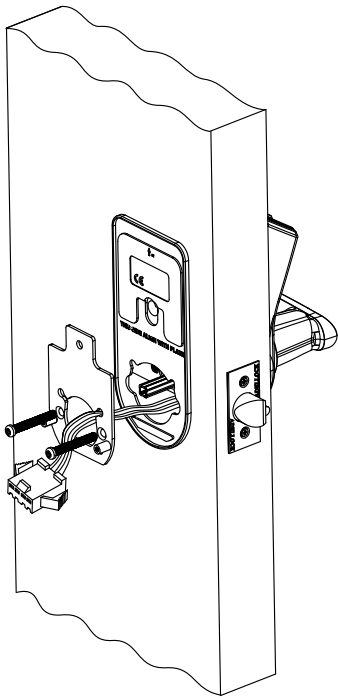


Note:  
As the photo shows there is an arrow pointing up to the small triangle. This is the only position where the clutch can be activated during normal operation.

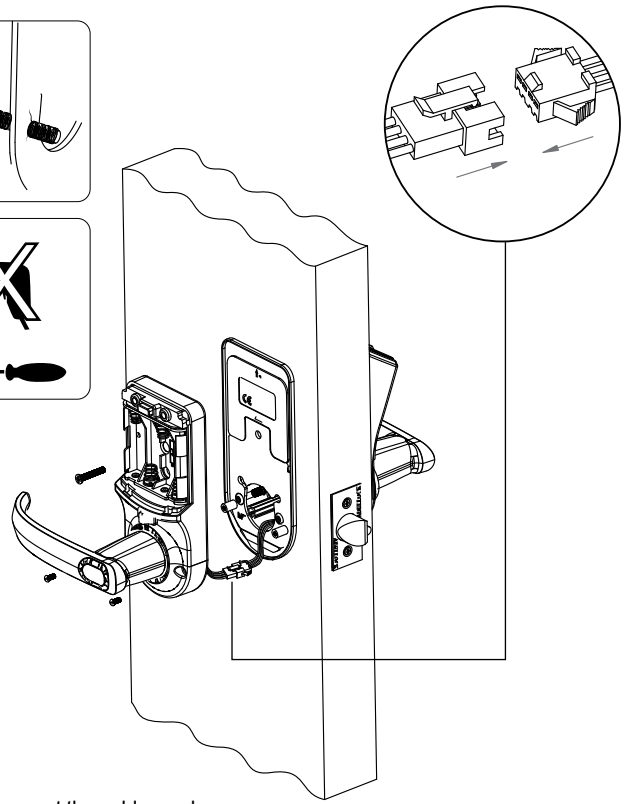
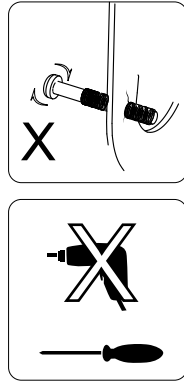


Note:  
The wire goes under the latch

## 5 Installing the back plate and back lock body gasket



## 6 Installing the back lock body

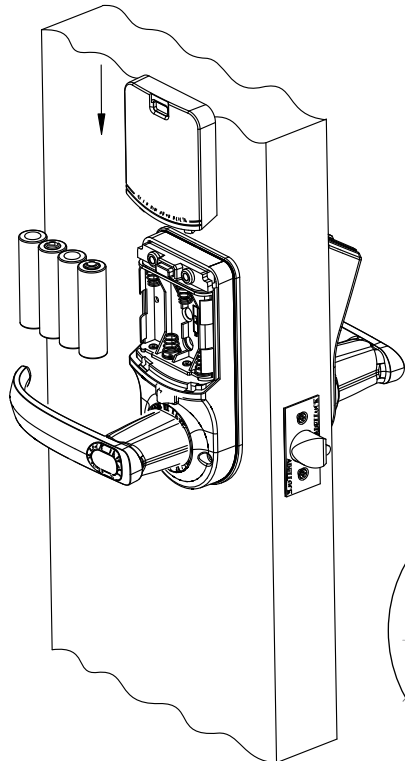


1. The back plate fits into the back lock body gasket
2. Secure the back plate and back lock body gasket with two M5\*L screws

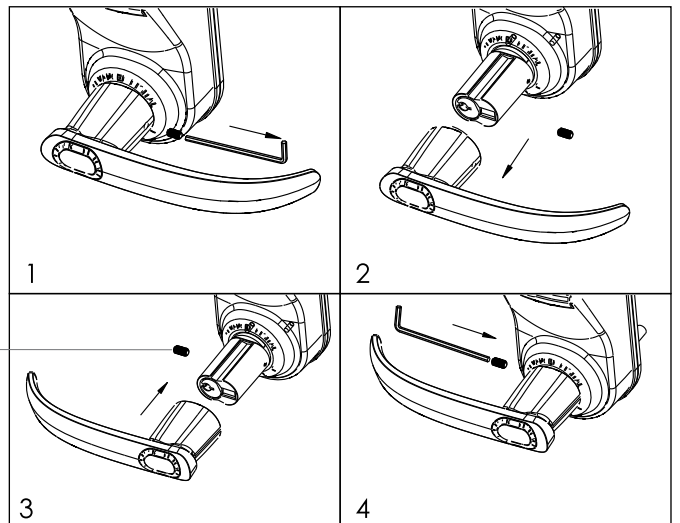
1. Connect the cable as shown
2. Push the wire connector into the hole under the latch
3. Secure the back lock body with two M4\*8 screws and one M4\*L

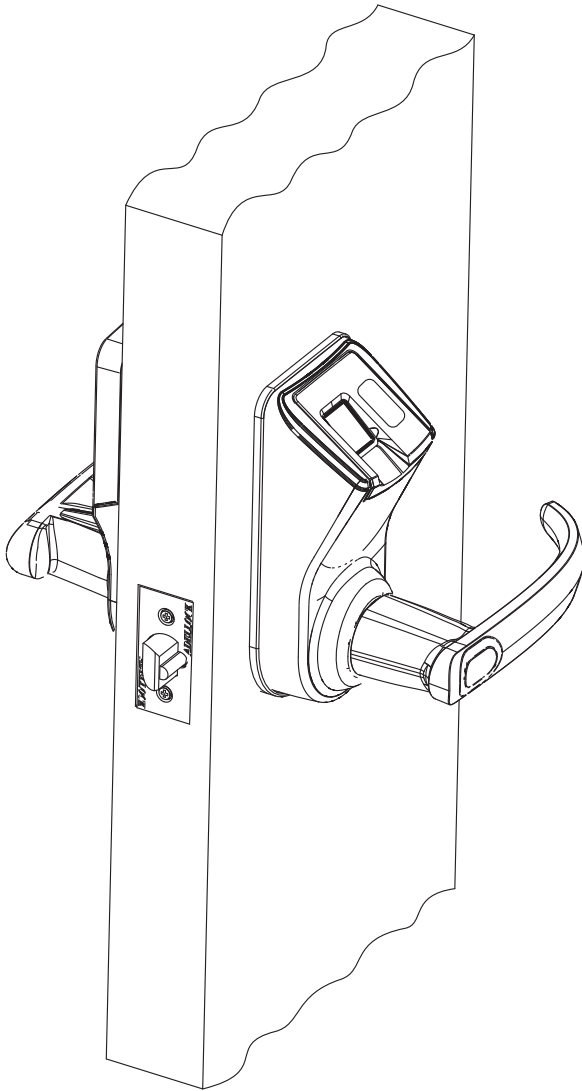
## 7 Battery

1. Put the batteries in and install the battery cover
2. Handle lever is field changeable, assemble or disassemble the handle lever with the tool supplied.

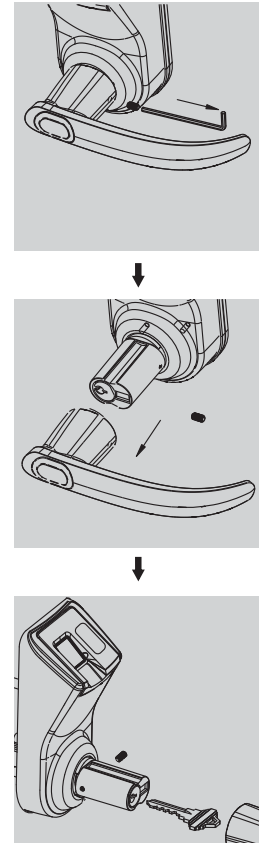


Note: field changeable handle lever





How to use mechanical key



1. Rotate the inside handle lever and hold. Ensure that the latch is fully retracted and flush with the latch face plate. Release the inside handle lever, the latch should be fully extended.
2. After batteries putting in the lock, it is going in a normal situation if the latch is retracted inside once rotating the indoor handle and holds it, and also the latch is fully extended once releasing the indoor handle. Please see the following diagrams in Figure 1.
3. Place your finger on the fingerprint sensor, you should see the sensor is flashing with red LED, the number display shows "--", a long beep, a green light and a motor clutch sound. Rotate the front handle lever and hold. Ensure that the latch is fully retracted.
4. With the door open, verify functionality of the mechanical key override as shown. Take off the front handle lever, insert the mechanical key, turn the key to vertical position then rotate the handle bar. Ensure the latch is fully retracted.

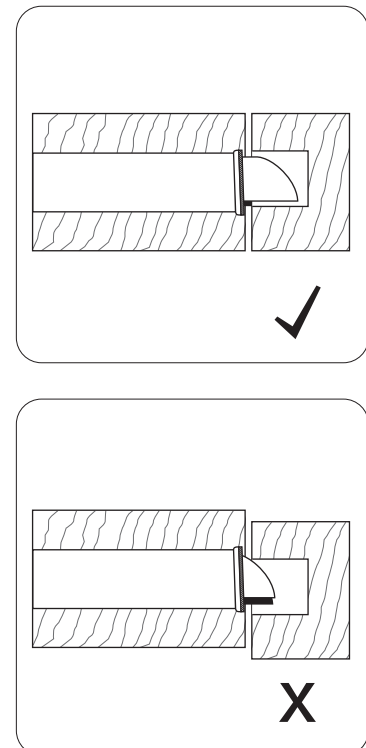


Figure 1

# Operation Instructions

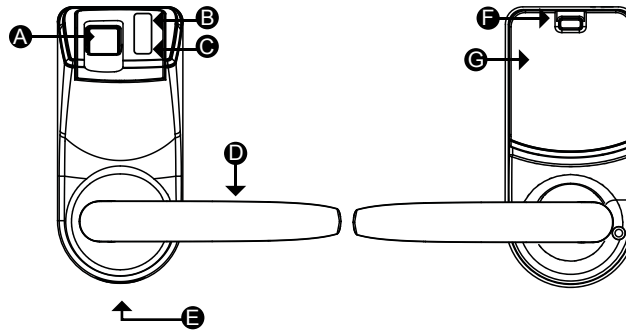
Read all instructions before using this door lock

## WARNING

- New door lock is in factory default mode, ANY Fingerprint and ANY User Card can open the door lock. Only successful registration of Fingerprint and Program Card can terminate factory default mode.
- For security purposes, register Fingerprint and Program Card as soon as possible.
- Door lock can be opened by Fingerprint, User Card or emergency keys.
- If user resets door lock to factory default mode: ANY Fingerprint and ANY User Card can open the door lock.
- Register Fingerprints and User Cards and test a few times before closing the door.
- Test door lock functions before installing onto door.
- Test with a non-registered Fingerprint. If the door lock opens, the door lock is still in factory default mode.
- Test the emergency keys and store them in a secure place.
- To maximize the security and performance of the door lock, test registered Fingerprints and User Cards every 6 months.
- Intended for indoor use only; keep scanners clean.

## Parts Of The Door Lock

- A. Fingerprint Scanner
- B. Indicator Lights
- C. Card Scanner
- D. Handle
- E. External Power Socket
- F. Battery Cover Button
- G. Battery Cover



## Included Cards

- 1 Set Admin Cards - 1 Program Card, 1 Registration Card, 1 Delete Card
- 20 - User Cards

**Note**  
User Card access requires 2 User Cards, Fingerprint access requires 1 User Card. You can customize access to suit your specific needs. Additional User Cards may be purchased from Barska, see *New Admin Cards / Additional User Cards*.

## Install Batteries

1. Press in the battery cover button and gently lift the battery cover to expose the battery compartment.
2. Insert 4 new Alkaline AA batteries into the battery compartment and pay attention to the polarity of the batteries.
3. Gently place the battery cover back into place.

**Note**  
- Do not mix old and new batteries.



## Initialize Door Lock

- After door lock is installed and batteries are inserted, scan Program Card on card scanner to register Admin Cards to the door lock. The green indicator light will flash and three beeps will be heard.
- After Admin Cards are registered you may add users to have access to the door lock.

### Important

- DO NOT scan the Program Card twice, scanning the Program Card a second time will reset the door lock, to factory default mode. ANY Fingerprint and ANY User Card can open the door lock in factory default mode.
- Admin Cards are linked together. If one Admin Card is lost another set of 3 Admin Cards must be purchased. See *New Admin Cards / Additional User Cards*.

## Register User Card

Requires 2 User Cards.

1. On card scanner: scan Registration Card.
2. Scan an unregistered User Card.
3. Scan a 2nd unregistered User Card.
4. Green indicator will flash and beeps will be heard during this process. Registration is complete when two beeps are heard.
5. Both User Cards are now linked and have access to the door lock. Write down the guest's name on both User Cards with a pencil.

### Note

- Person keeps and uses their User Card to gain access to the door.
- Admin keeps other User Card if you would like to delete/deny access to the other User Card to the door lock.
- Repeat above steps to register additional users.
- Stores up to 35 pairs of User Cards and up to 30 Fingerprints.

## Test Registered User Card

1. With door open.
2. Place registered User Card on card scanner.

### Successful Registration

Green indicator light will flash followed by one beep. Door lock will unlock.

### Unsuccessful Registration

Red indicator light will flash followed by two beeps. Door stays locked. User Card registration was unsuccessful. Repeat steps in *Register User Card*.

## Delete User Card Access

1. On card scanner: Scan Delete Card.
2. Scan registered User Card. Red indicator light will flash then green indicator light will flash, to complete the process.
3. Test User Card to make sure that it is deleted from the door lock. Erase guests name from User Card.

### Note

- Registered User Cards linked together are both deleted from door lock.
- User Card can now be programmed for a different user.

## Register Fingerprint

Requires 1 User Card.

1. On card scanner: scan Registration Card.
2. Scan unregistered User Card.
3. Place user's Fingerprint on Fingerprint scanner for a few seconds keep finger still. The scanner scans the finger multiple times during this process. Fingerprint registration will be complete when a total of eight beeps are heard.
4. Write down the guest's name on User Card with a pencil.

### Note

- Admin keeps User Card if you would like to delete/deny access to the users Fingerprint from the door lock.
- Both Fingerprint and User Card have access the door lock.
- Repeat steps above to register additional Fingerprints.
- Stores up to 30 Fingerprints and up to 35 pairs of User Cards.

## Test Registered Fingerprint

1. With door open.
2. Place registered finger on Fingerprint scanner.

### Successful Registration

Green indicator light will flash followed by one beep. Door lock will unlock.

### Unsuccessful Registration

Red indicator light will flash followed by two beeps. Door stays locked. Fingerprint registration was unsuccessful. Repeat steps in *Register Fingerprint*.

## Delete Fingerprint Access

1. On card scanner: scan Delete Card.
2. Scan registered User Card. Red indicator light will flash then green indicator light will flash, to complete the process.
3. Test User Card or Fingerprint to make sure that it is deleted from the door lock. Erase guests name from User Card.

### Note

- The Fingerprint registered to the User Card and User Card has been deleted.
- User Card can now be programmed for a different user.

## Opening The Door

### User Card

Place registered User Card on card scanner to unlock handle of door.

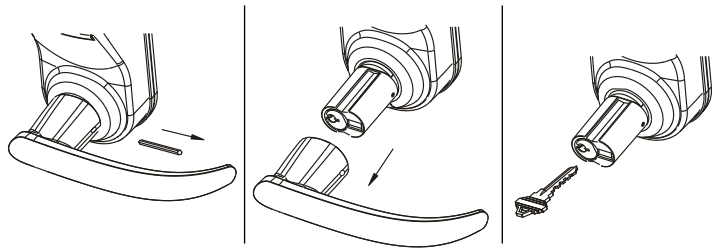
### Fingerprint

Place registered finger on Fingerprint scanner to unlock handle of door.

### Key

1. Remove the screw with the provided Allen wrench.
2. Gently slide handle out to expose emergency key access.
3. Insert emergency key into key access emergency key access to open the door.

Please refer to image on right.



## Delete All User Cards & Fingerprints / Factory Default Mode

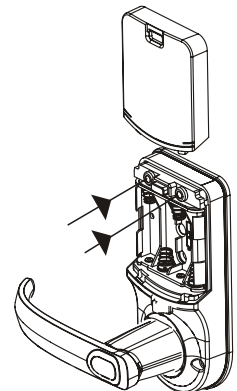
There are 2 methods to delete all User Cards and Fingerprints from the door lock.

### Method 1

1. Scan Program Card on scanner twice. Red light and alarm sound will be heard.
2. Door lock is now in factory default mode: ANY Fingerprint and ANY User Card can open the door lock.

### Method 2

1. Press in the battery cover button and gently lift the battery cover to expose the battery compartment.
  2. Remove 1 battery.
  3. Press and hold 2 buttons located on top of the batteries in the battery compartment and reinsert the 1 battery. Red light and alarm sound will be heard.
  4. Gently place the battery cover back into place.
- Please refer to image on right.



## Low Battery Warning

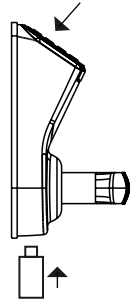
When 3 repetitive beeps are heard, this indicates the batteries are low, replace batteries immediately. See *Install Batteries*.

### External Power Socket

If door lock fails to operate due to low or dead batteries use the external power socket which is located underneath the front body of the door lock.

1. Use a 9V battery for emergency power supply; place the battery to the lock and hold it in place.
2. Place a registered User Card on card scanner or place a registered Fingerprint on the Fingerprint scanner to open the door.

Please refer to image on right.



### Common Errors / Displays

Issues	Causes
Red indicator light flashes with two short beeps.	Access denied or registration failed.
Red indicator light is always on.	Low battery.
Alarm sounds when accessing door.	Low battery.
No response from scanner.	No/dead battery.
Often fails to verify Fingerprints.	Finger is wet or scanner is dirty.

### New Admin Cards / Additional User Cards

If any of the yellow Admin Cards are lost or additional User Cards are needed call Barska at 888.666.6769 to purchase Cards. Once Admin Cards are received you will need to reset the door lock; all cards and fingerprints will be deleted from door lock.



## 1 YEAR LIMITED WARRANTY

### Biometric & RFID Security Door Lock

BARSKA® Optics, as manufacturer, warrants this new product to be free of original defects in materials and/or workmanship for the length of time specified by this warranty. This warranty does not include damage caused by abuse, improper handling, installation, maintenance, normal wear-and-tear, unauthorized repairs or modifications and tampering in anyway.

This warranty is limited to the original purchaser and is not transferable. This warranty applies only to products purchased in the United States of America.

In the event of a defect within 30 days, the consumer must return the defective unit to the BARSKA dealer (the place of purchase) at his/her own expense.

Beyond 30 days, BARSKA products should be sent to the following address for warranty repairs. Products must be packed carefully and sturdily to prevent damage in transit, and returned freight prepaid to:

BARSKA® OPTICS  
Repair Department  
855 Towne Center Drive  
Pomona, CA 91767

For additional and updated information  
please visit our website at [www.barska.com](http://www.barska.com)

Please email [info@barska.com](mailto:info@barska.com) or call 1-888-666-6769 for Return Merchandise Number (RMA#) before any returns.

NOTE: All merchandise received without a valid RMA # will be returned to shipper at his/her own expense.

Please include all of the following when returning BARSKA products for service and/or replacement:

1. Please write your complete details (Name, Address, Telephone #, E-mail address, RMA#, etc.)
2. Purchase receipt or Proof of Purchase. (Original/Copy)
3. A brief explanation of the defect.
4. A Check/Money Order of \$40.00 to cover inspection, shipping and handling.

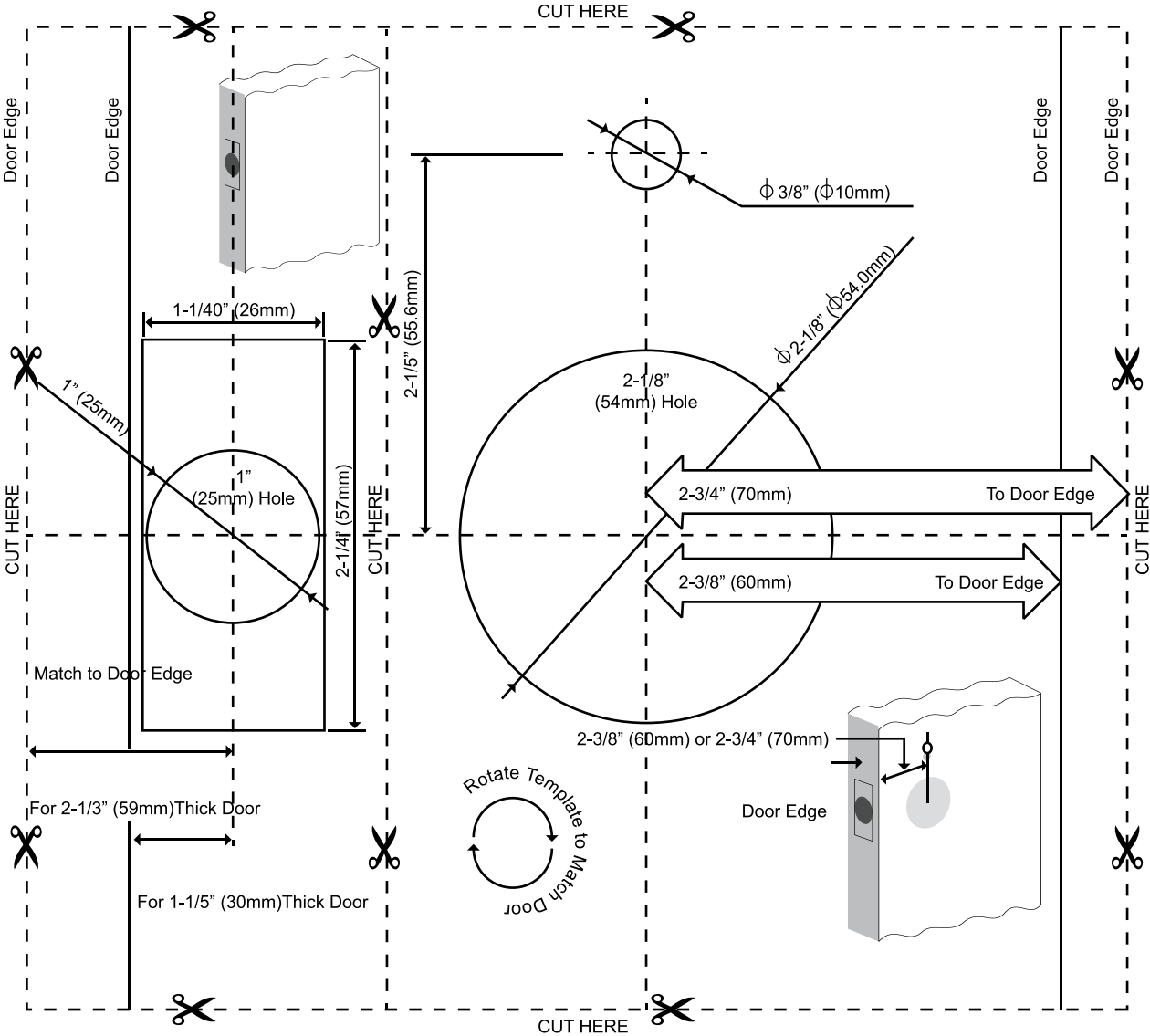
\*Please allow 6-8 weeks for delivery.

This product will either be replaced or repaired at the discretion of the warrantor. If it's a discontinued item, we will replace the product with an equivalent product. Should the repair not be covered by this warranty, an estimate will be sent for your approval. Non-warranty repairs or refurbishing of your products are always provided at a reasonable cost.

BARSKA® Optics shall not be liable for any consequential, incidental and/or contingent damages whatsoever. We will not pay shipping, insurance or transportation charges from you to us, or any import fees, duties and or taxes. This warranty supersedes all previous BARSKA® Optics warranties.

# Scale 1:1 Drilling Template

If the big hole (2-1/8"/54mm) already exists, use this template to mark the position for drilling the small hole.



This page has been intentionally  
left blank